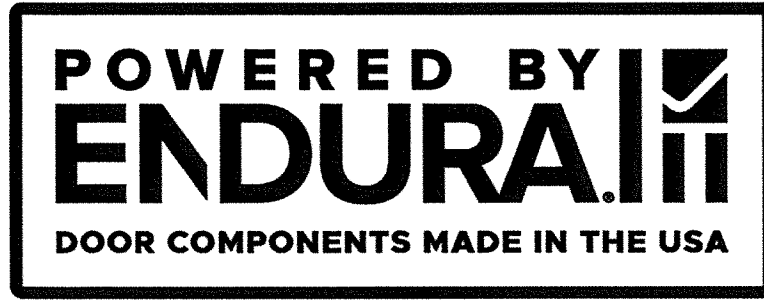


Z:\Clients\Endura PERMANENT\B - Texas Dept of Ins\TDI - DR-611 Plastpro Fiberglass Flush GLZ\C - Drawings\REV 2020\TX-4425-26.dwg



Glazed Fiberglass Door

"NON-IMPACT"

INSWING / OUTSWING

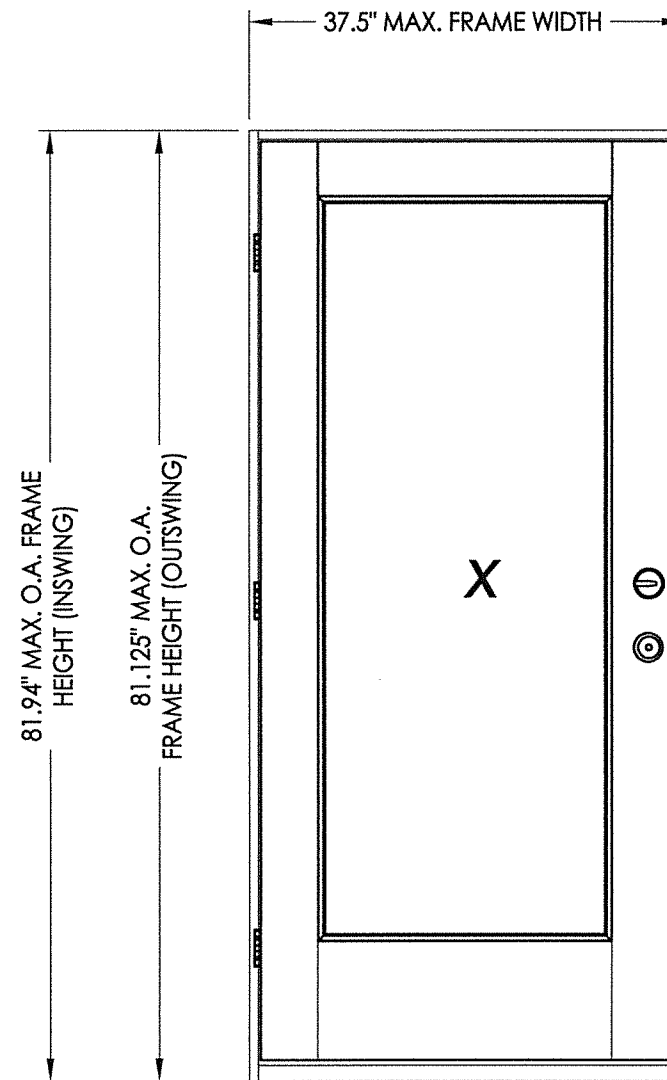
EVALUATED FOR USE IN THE STATE OF TEXAS

TDI DR-611

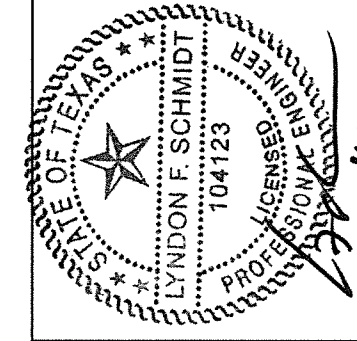
The Fiberglass Door system described herein complies with the 2018 International Residential Code (IRC), Sections R301 & R609 and the 2018 International Building Code (IBC), Sections 1404.13, 1609, 1709.5, 2403 and 2404 subject to the following conditions:

1. Anchors shall be as listed and spaced as shown in the details. Anchor embedment to base material shall be beyond wall dressing or stucco.
2. When used in areas requiring wind-borne debris protection this product is required to be protected with an impact resistant covering that complies with Section R301.2.1.2 of the IRC and Section 1609.1.2 of the IBC.
3. Allowable design pressure requirements must be equal to or less than the design pressure rating shown in the design pressure chart, sheet 1 of this drawing.
4. Conditions not covered by this drawing are subject to further engineering analysis.

TABLE OF CONTENTS	
SHEET#	DESCRIPTION
1	Typical elevations, design pressures & general notes
2	Door panel details (lip lite insert glazing)
3	Horizontal cross sections
4	Vertical cross sections
5	Frame anchoring



CONFIG.	GLAZING	MODEL	DESIGN PRESSURE (PSF)	
			POSITIVE	NEGATIVE
X	LIP LITE INSERT	INSWING	+40.0	-45.0
X	LIP LITE INSERT	OUTSWING	+45.0	-50.0



Documents Prepared By: Lyndon F. Schmidt, P.E.
TEXAS P.E. #104123

RW BUILDING CONSULTANTS, INC.
P.O. Box 230 Vairico FL 33595
Phone No.: 813.659.9197

TEXAS BOARD OF PROFESSIONAL ENGINEERS
CERTIFICATE OF REGISTRATION # F-11852

PRODUCT: ENDURA

PART OR ASSEMBLY:
TYPICAL ELEVATION, DESIGN PRESSURES & GENERAL NOTES

NO.	DATE	REVISIONS
3	11/10/21	UPDATE TO 2018 IRC/IRC CODE
2	11/7/18	REVISED TO INSERT GLAZED ONLY
1	11/02/16	ADDED THRESHOLDS

DATE: 1/07/14

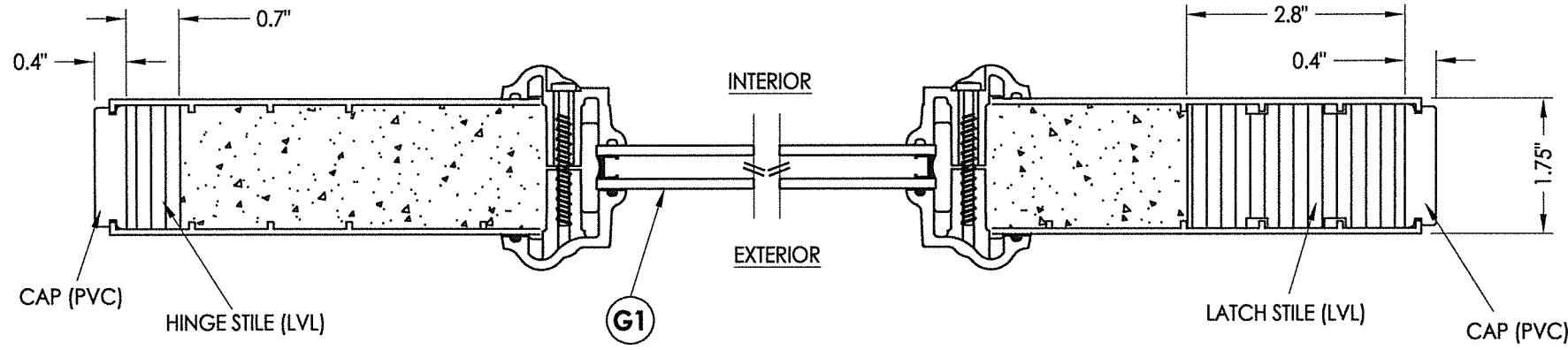
SCALE: N.T.S.

DWG. BY: JK

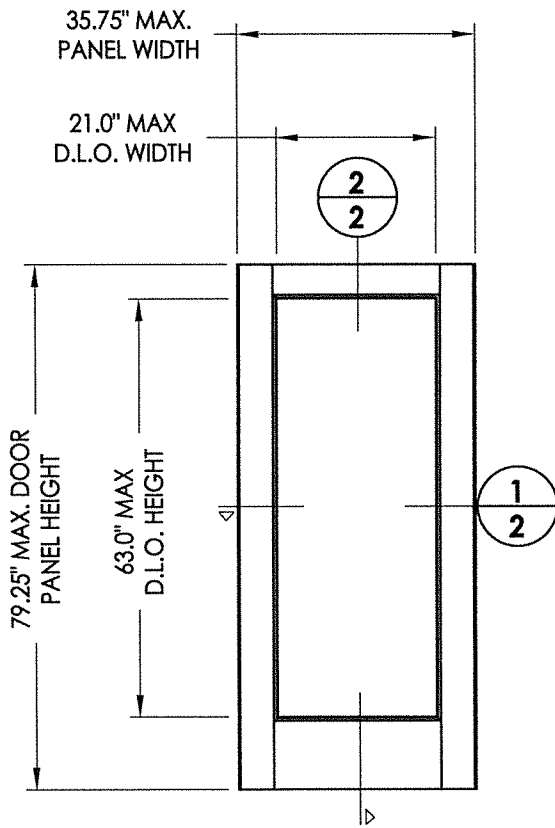
CHK. BY: LFS

DRAWING NO.: TX-4425

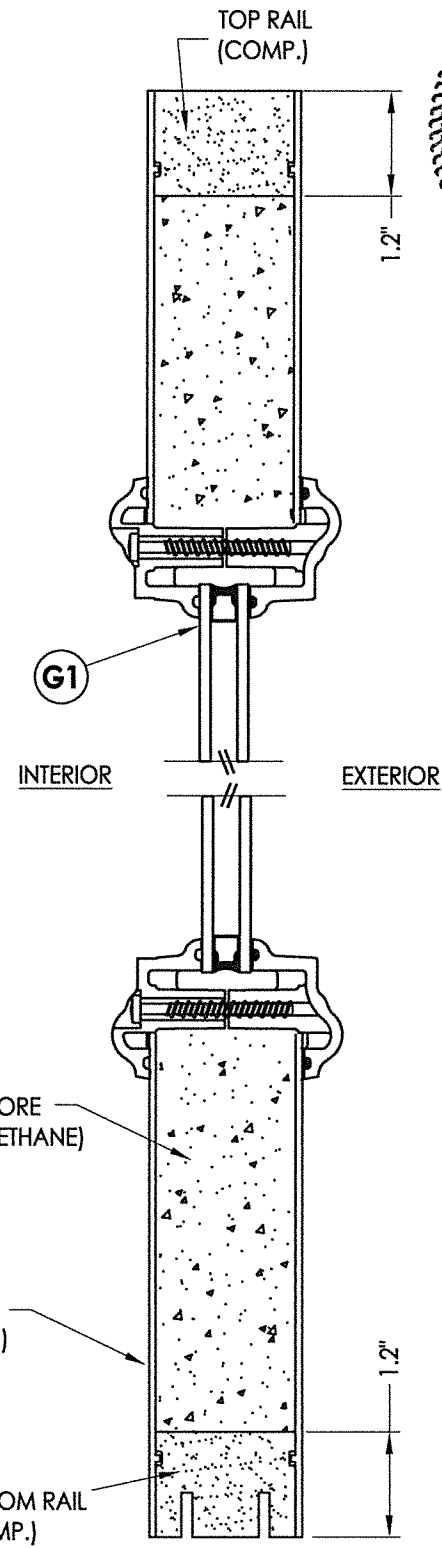
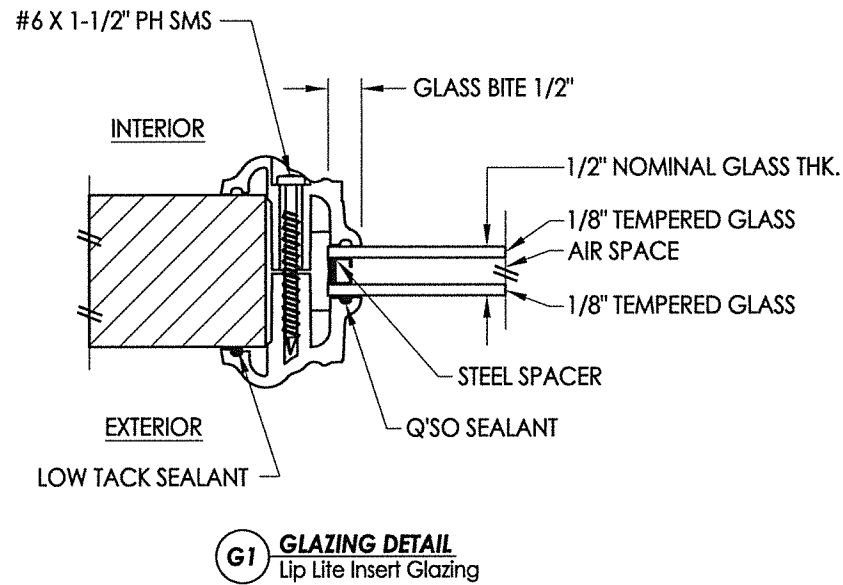
SHEET 1 OF 5



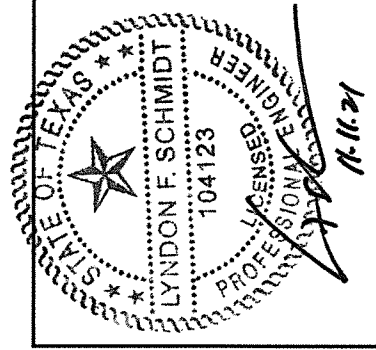
1
2 HORIZONTAL CROSS SECTION



PLASTPRO
Insert glazed
(fiberglass)



2
2 VERTICAL CROSS SECTION



Documents Prepared By: Lyndon F. Schmidt, P.E.
TEXAS P.E. #104123

RW BUILDING CONSULTANTS, INC.
P.O. Box 230 Vairico FL 33595
Phone No.: 813.659.9197

TEXAS BOARD OF PROFESSIONAL ENGINEERS
CERTIFICATE OF REGISTRATION # F-11852

PRODUCT: ENDURA
PART OR ASSEMBLY: DOOR PANEL DETAILS (LIP LIFE INSERT GLAZING)

NO.	DATE	BY	REVISIONS
3	11/10/21	LFS	UPDATE TO 2018 IBC/IRC CODE
2	11/7/18	MT	REVISED TO INSERT GLAZED ONLY
1	11/02/16	LFS	ADDED THRESHOLDS

DATE: 1/07/14

SCALE: N.T.S.

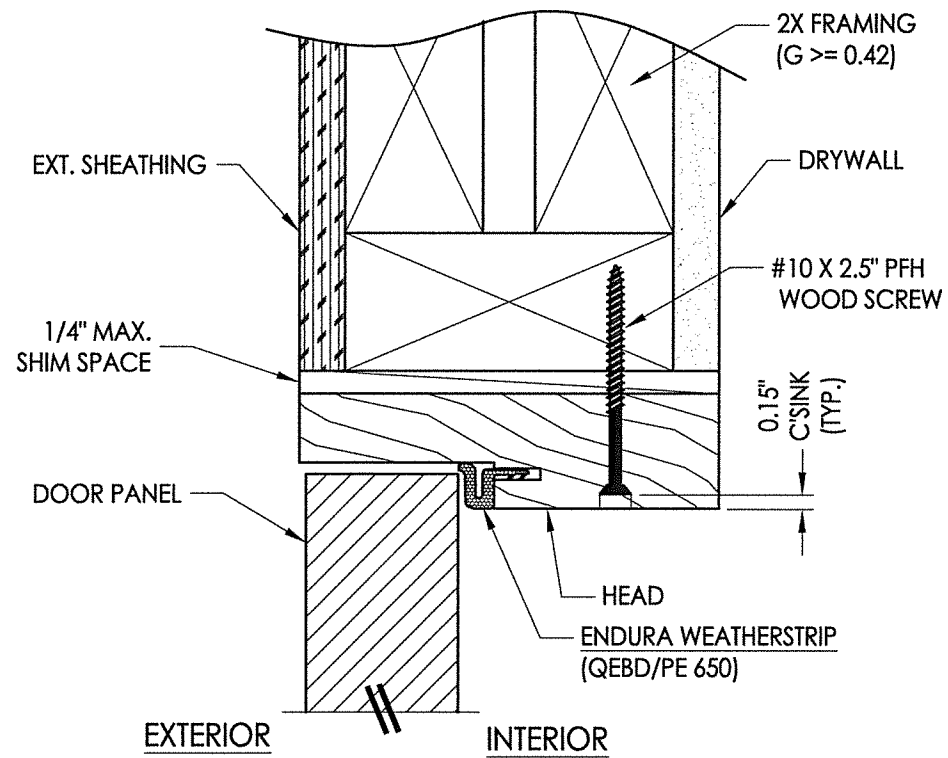
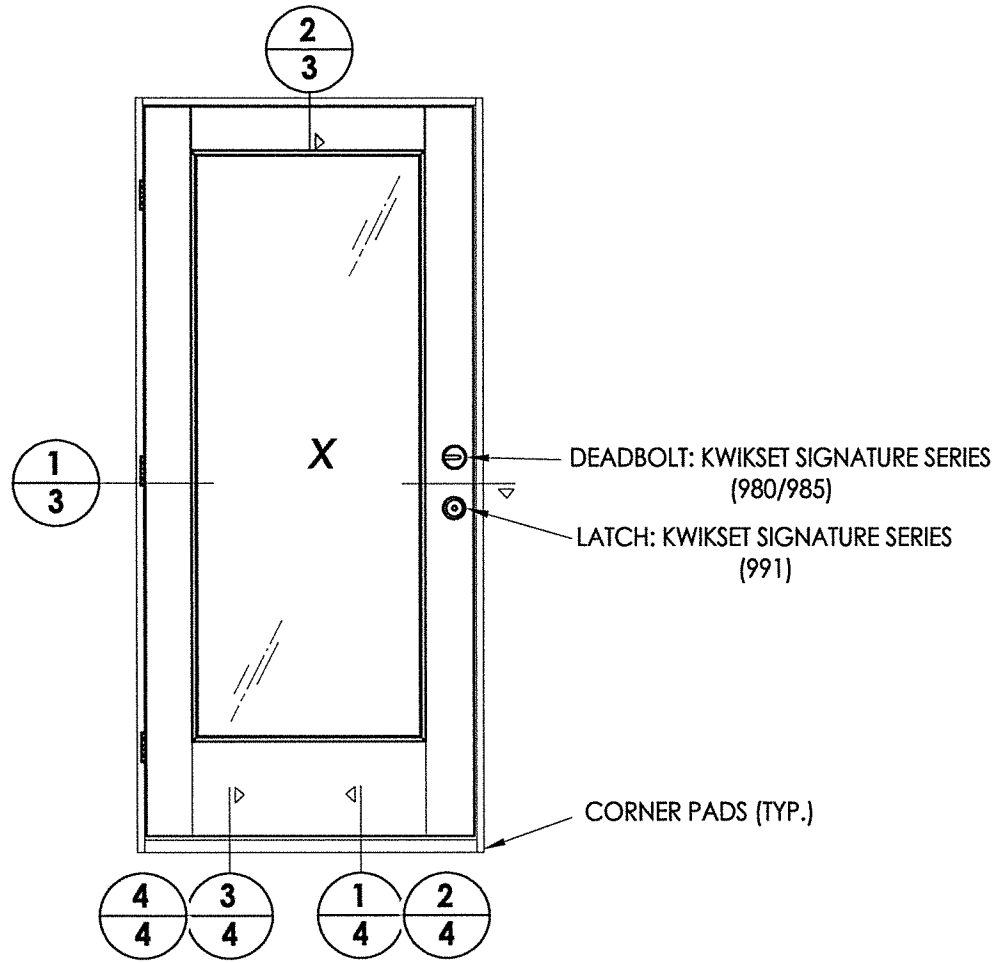
DWG. BY: JK

CHK. BY: LFS

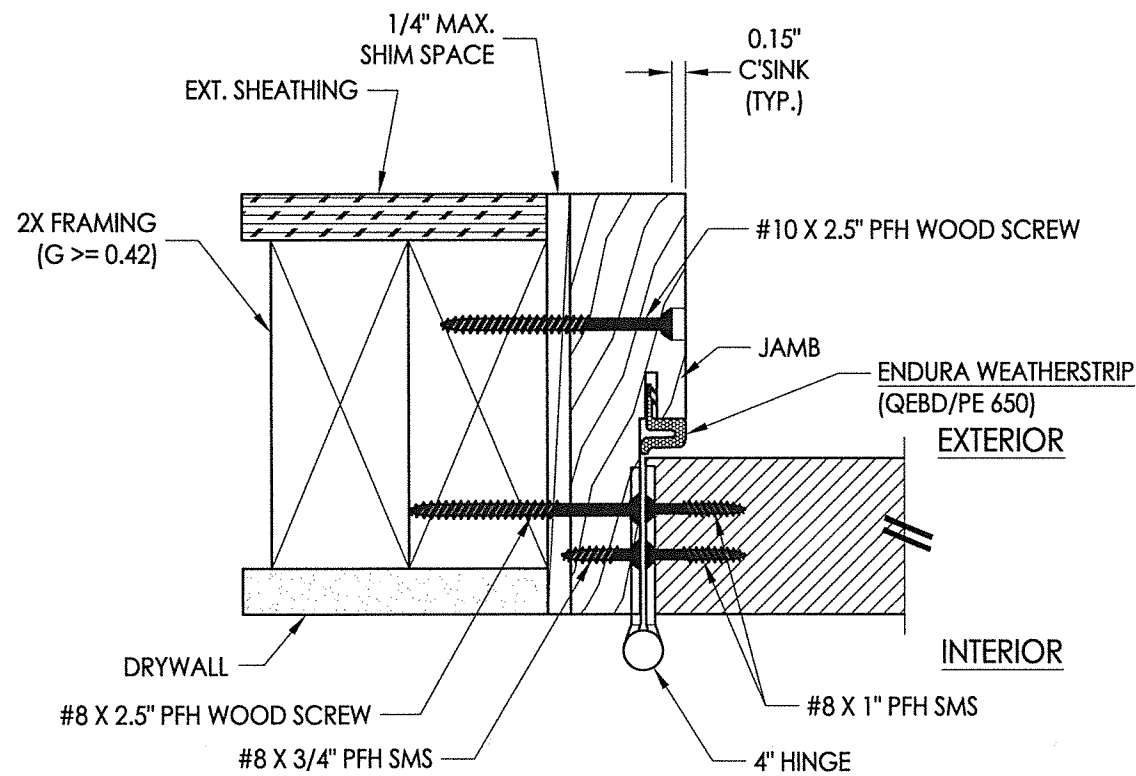
DRAWING NO.:

TX-4425

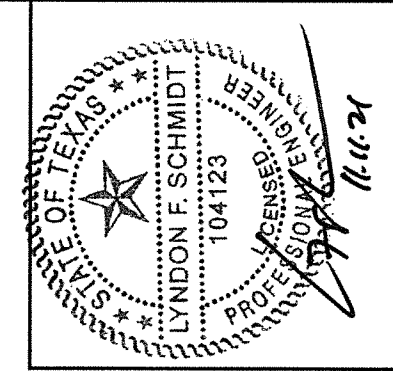
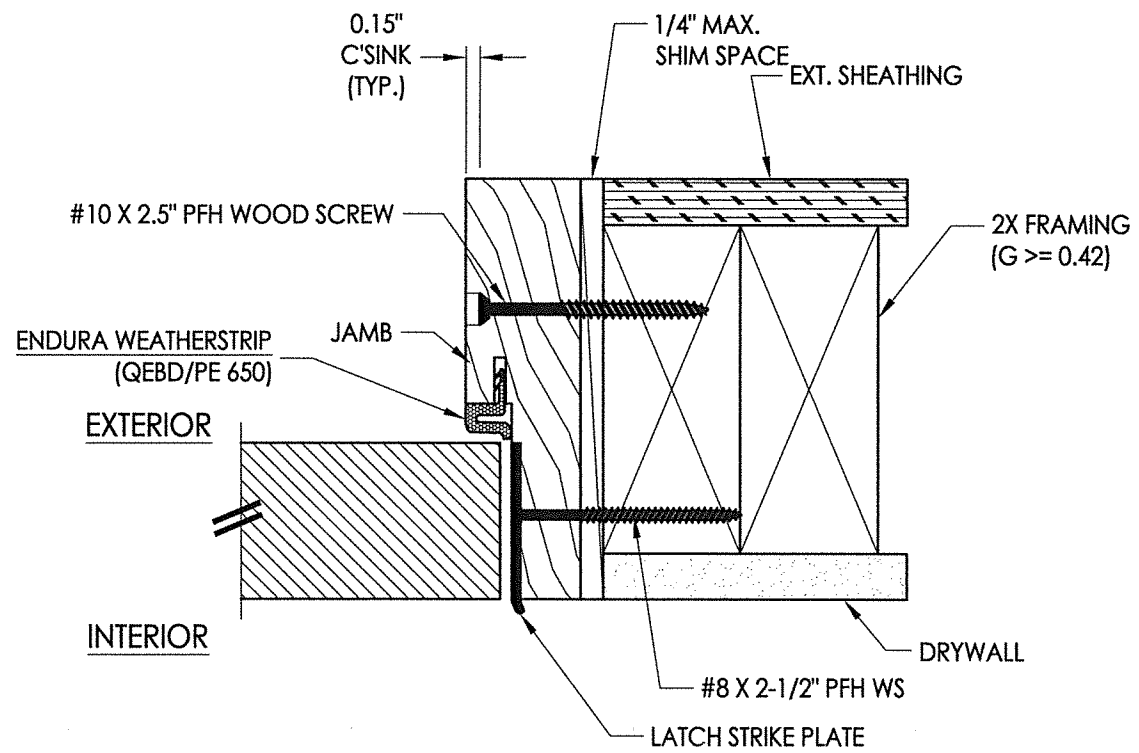
SHEET 2 OF 5



2 VERTICAL CROSS SECTION
3 Outswing shown - inswing also approved



1 HORIZONTAL CROSS SECTION
3 Inswing shown - Outswing also approved



Documents Prepared By: Lyndon F. Schmidt, P.E.
 TEXAS P.E. #104123

RW BUILDING CONSULTANTS, INC.
 P.O. Box 230 Valrico FL 33595
 Phone No.: 813.659.9197

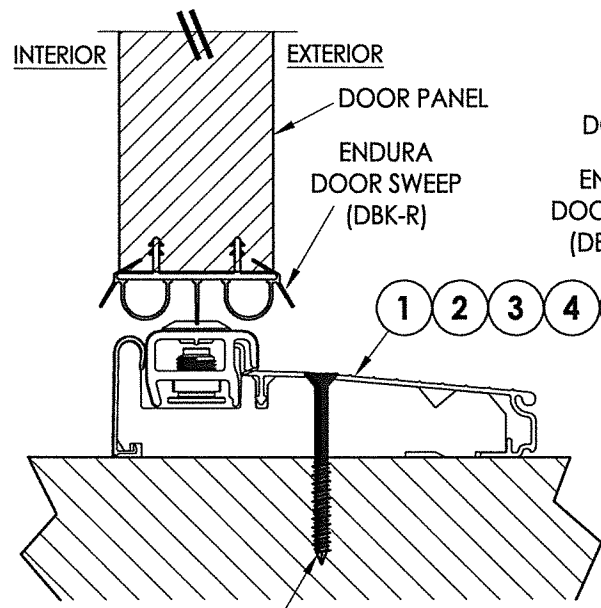
TEXAS BOARD OF PROFESSIONAL ENGINEERS
 CERTIFICATE OF REGISTRATION # F-11852

PRODUCT:	ENDURA
PART OR ASSEMBLY:	HORIZONTAL CROSS SECTIONS

NO.	DATE	BY	REVISIONS
3	11/10/21	LFS	UPDATE TO 2018 IBC/IRC CODE
2	11/7/18	MT	REVISED TO INSERT GLAZED ONLY
1	11/7/02/16	LFS	ADDED THRESHOLDS

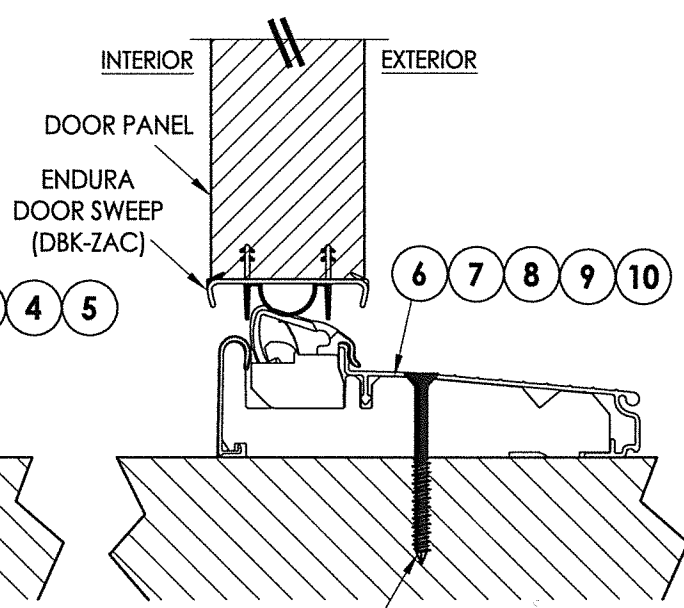
DATE:	1/07/14
SCALE:	N.T.S.
DWG. BY:	JK
CHK. BY:	LFS
DRAWING NO.:	TX-4425
SHEET	3 OF 5

Z:\Clients\Endura PERMANENT\B - Texas Dept of Ins\YDI - DR-611 Plastpro Fiberglass Flush GLZC - Drawings\REV 2020\TX-4425-26.dwg



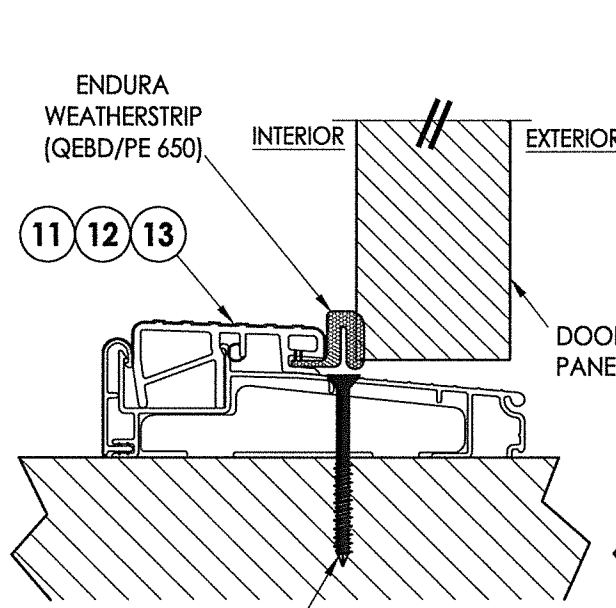
#10 X 2.5\"/>

1 VERTICAL CROSS SECTION
4 Inswing Adjustable Threshold



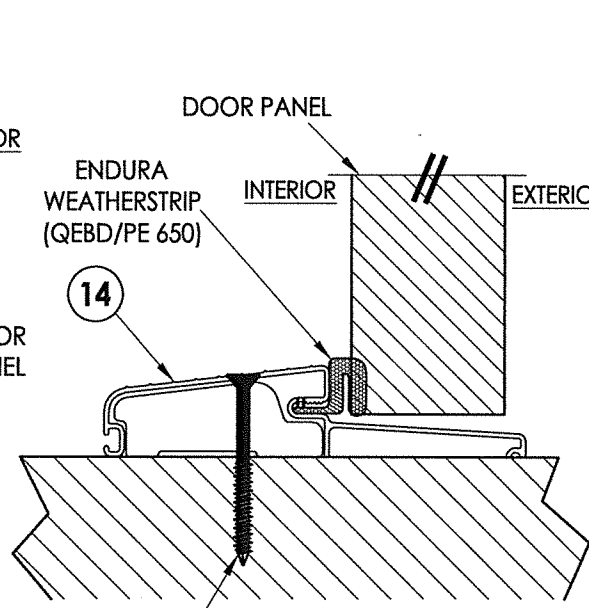
#10 X 2.5\"/>

2 VERTICAL CROSS SECTION
4 Inswing Articulating Threshold



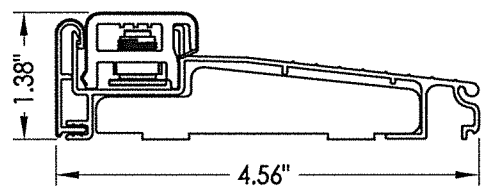
#10 X 2.5\"/>

3 VERTICAL CROSS SECTION
4 Inswing Adjustable Threshold

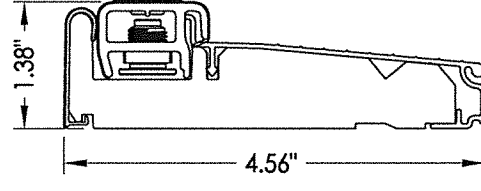


#10 X 2.5\"/>

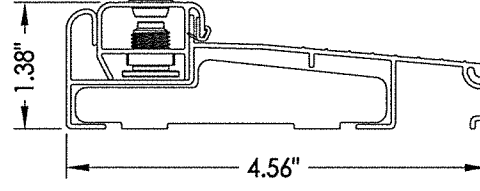
4 VERTICAL CROSS SECTION
4 Inswing Articulating Threshold



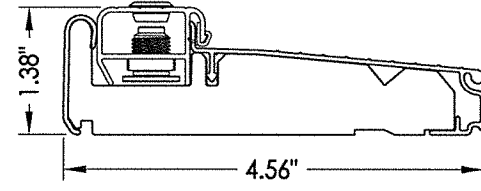
1 INSWING ADJUSTABLE THRESHOLD
ZAIL4565



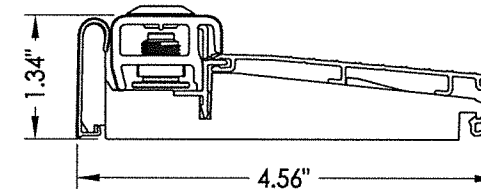
2 INSWING ADJUSTABLE THRESHOLD
ZAI4565FN



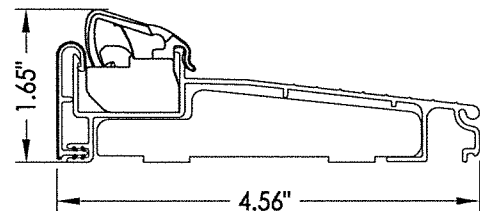
3 INSWING ADJUSTABLE THRESHOLD
ZAILAA4565



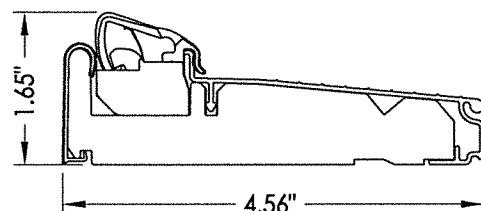
4 INSWING ADJUSTABLE THRESHOLD
ZAIAA4565FN



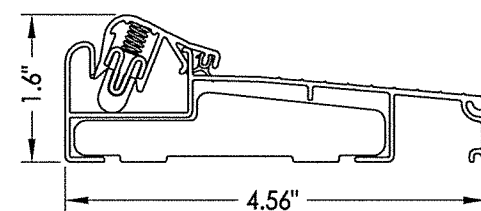
5 INSWING ADJUSTABLE THRESHOLD
ZAI4565RDS



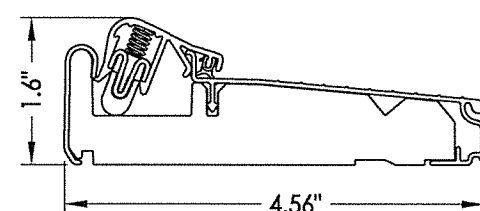
6 INSWING ARTICULATING THRESHOLD
ZACL4565



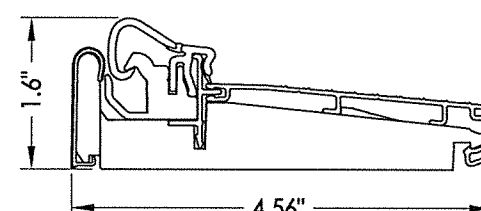
7 INSWING ARTICULATING THRESHOLD
ZAC4565FN



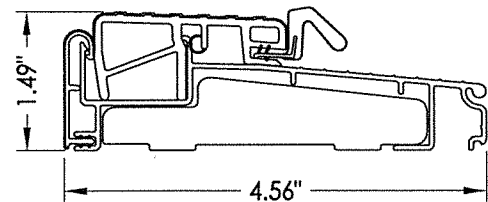
8 INSWING ARTICULATING THRESHOLD
ZACLAA4565



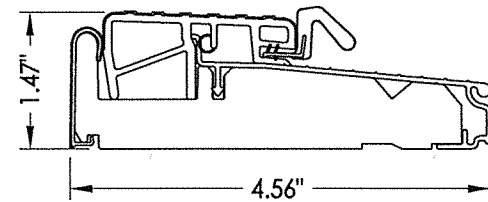
9 INSWING ARTICULATING THRESHOLD
ZACAA4565FN



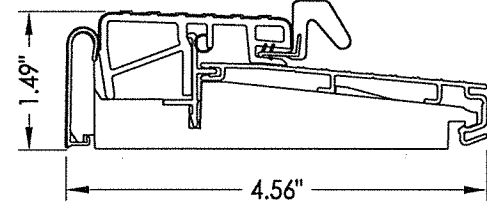
10 INSWING ARTICULATING THRESHOLD
ZAC4565RDS



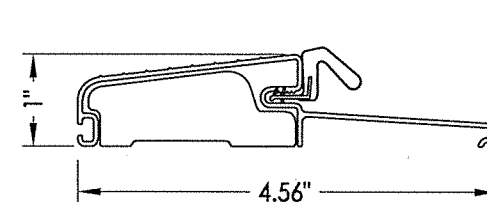
11 OUTSWING THRESHOLD
ZOBL4565



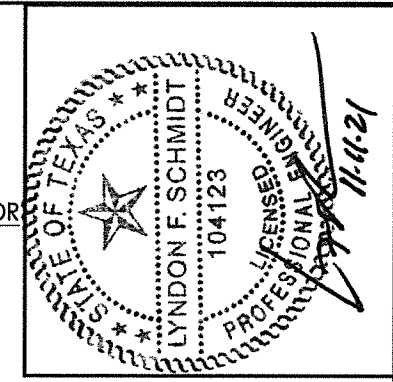
12 OUTSWING THRESHOLD
ZOB4565FN



13 OUTSWING THRESHOLD
ZOB4565RDS



14 OUTSWING THRESHOLD
FOB4566



Documents Prepared By: Lyndon F. Schmidt, P.E.
TEXAS P.E. #104123

RW BUILDING CONSULTANTS, INC.
P.O. Box 230 Valrico FL 33595
Phone No.: 813.659.9197

TEXAS BOARD OF PROFESSIONAL ENGINEERS
CERTIFICATE OF REGISTRATION # F-11852

PRODUCT: ENDURA

PART OR ASSEMBLY: VERTICAL CROSS SECTIONS

NO.	DATE	REVISIONS
3	11/10/21	UPDATE TO 2018 IBC/IRC CODE
2	11/7/18	REVISED TO INSERT GLAZED ONLY
1	11/02/16	ADDED THRESHOLDS

DATE: 1/07/14

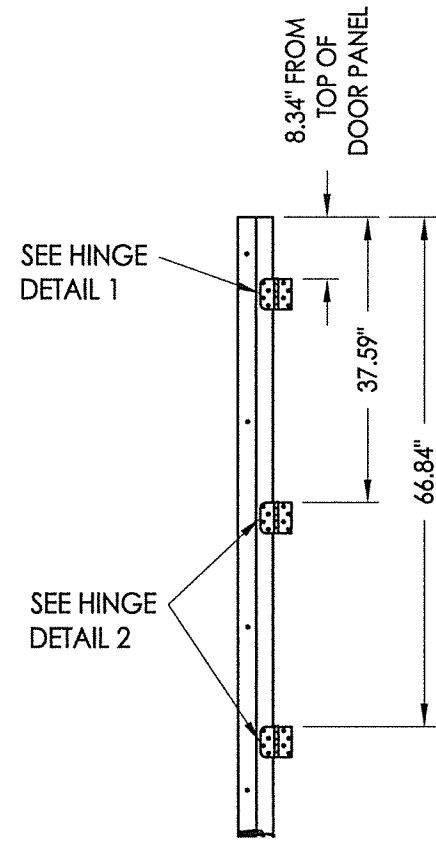
SCALE: N.T.S.

DWG. BY: JK

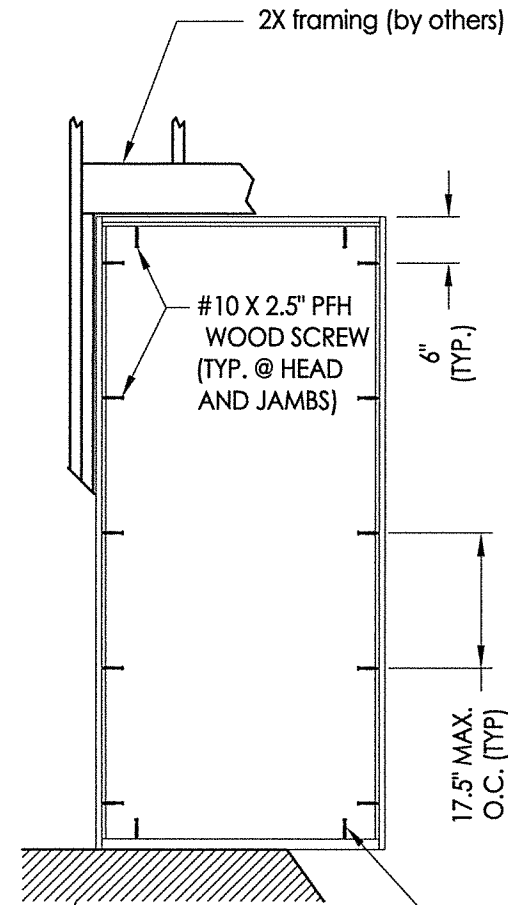
CHK. BY: LFS

DRAWING NO.: TX-4425

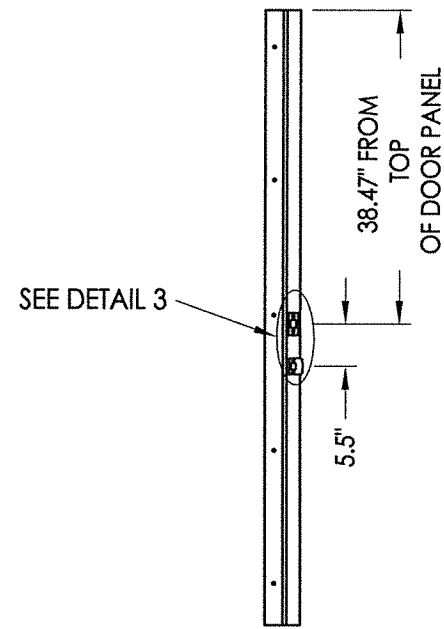
SHEET 4 OF 5



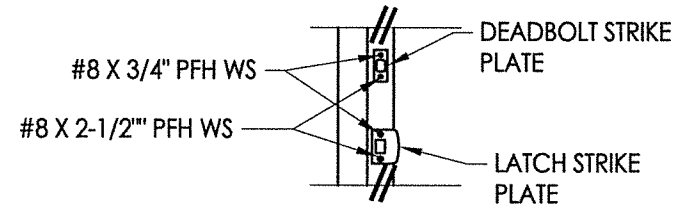
HINGE JAMB



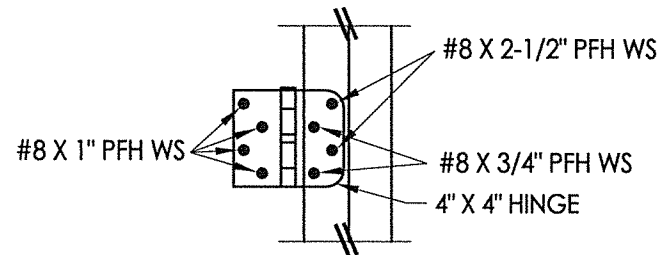
FRAME ANCHORING



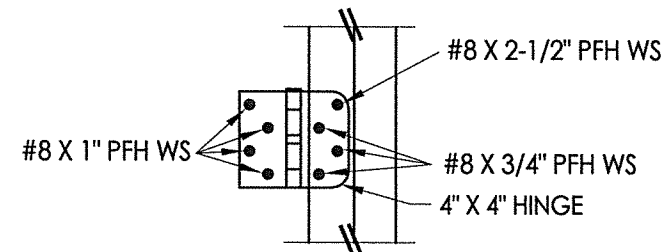
STRIKE JAMB



DETAIL 3
Lock strike plates



HINGE DETAIL 1



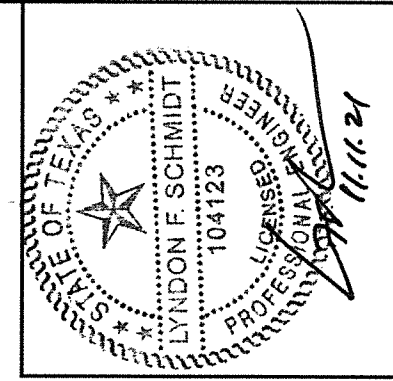
HINGE DETAIL 2

FLOOR SUBSTRATE MATERIAL (TYP.)
CONCRETE (MIN. 3000 PSI)
WOOD (G >= 0.42)

CONCRETE ANCHOR NOTES:

1. Concrete anchor locations at the corners may be adjusted to maintain the min. edge distance to mortar joints.
2. Concrete anchor locations noted as "MAX. ON CENTER" must be adjusted to maintain the min. edge distance to mortar joints, additional concrete anchors may be required to ensure the "MAX. ON CENTER" dimension are not exceeded.
3. Concrete anchor table:

ANCHOR TYPE	ANCHOR SIZE	MIN. EMBEDMENT	MIN. CLEARANCE TO MASONRY EDGE	MIN. CLEARANCE TO ADJACENT ANCHOR
ITW TAPCON®	1/4"	1-3/4"	2-1/2"	3"
DeWALT ULTRACON+®	1/4"	1-3/4"	1"	3"



Documents Prepared By: Lyndon F. Schmidt, P.E.
TEXAS P.E. #104123

RW BUILDING CONSULTANTS, INC.
P.O. Box 230 Volrico FL 33595
Phone No.: 813.659.9197

TEXAS BOARD OF PROFESSIONAL ENGINEERS
CERTIFICATE OF REGISTRATION # F-11852

PRODUCT: ENDURA

PART OR ASSEMBLY: FRAME ANCHORING

NO.	DATE	REVISIONS
3	11/10/21	UPDATE TO 2018 IBC/IRC CODE
2	11/7/18	REVISED TO INSERT GLAZED ONLY
1	11/02/16	ADDED THRESHOLDS

DATE: 1/07/14

SCALE: N.T.S.

DWG. BY: JK

CHK. BY: LFS

DRAWING NO.: TX-4425

SHEET 5 OF 5