

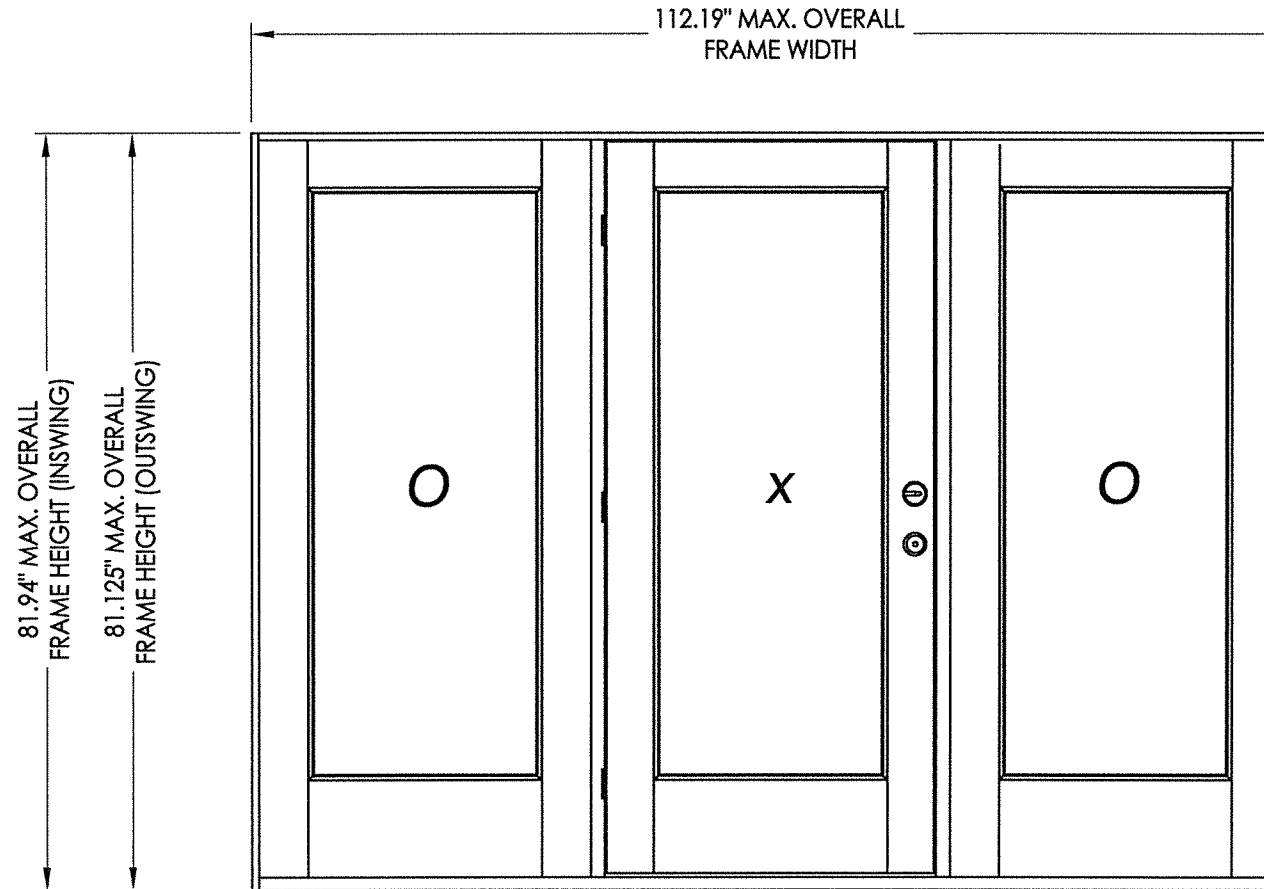
Documents Prepared By: Lyndon F. Schmidt, P.E.
TEXAS P.E. #104123

RW BUILDING CONSULTANTS, INC.
P.O. Box 230 Valrico FL 33595
Phone No.: 813.659.9197

TEXAS BOARD OF PROFESSIONAL ENGINEERS
CERTIFICATE OF REGISTRATION # F-11852

Glazed Fiberglass Door

"NON-IMPACT"
IN SWING / OUT SWING



EVALUATED FOR USE IN THE STATE OF TEXAS

TDI DR-611

The Fiberglass Door system described herein complies with the 2018 International Residential Code (IRC), Sections R301 & R609 and the 2018 International Building Code (IBC), Sections 1404.13, 1609, 1709.5, 2403 and 2404 subject to the following conditions:

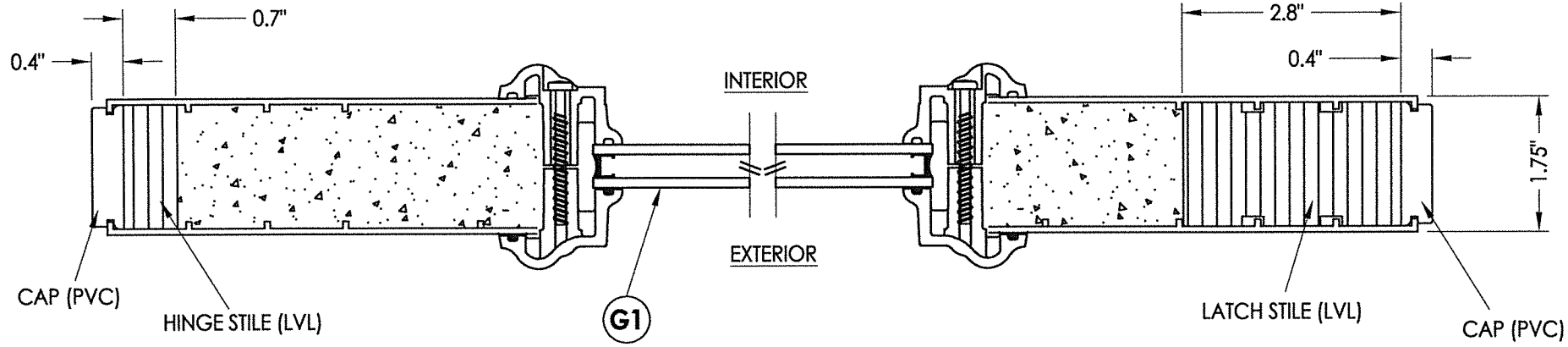
Anchors shall be as listed and spaced as shown in the details. Anchor embedment to base material shall be beyond wall dressing or stucco. When used in areas requiring wind-borne debris protection this product is required to be protected with an impact resistant covering that complies with Section R301.2.1.2 of the IRC and Section 1609.1.2 of the IBC. Allowable design pressure requirements must be equal to or less than the design pressure rating shown in the design pressure chart, sheet 1 of this drawing. Conditions not covered by this drawing are subject to further engineering analysis.

TABLE OF CONTENTS

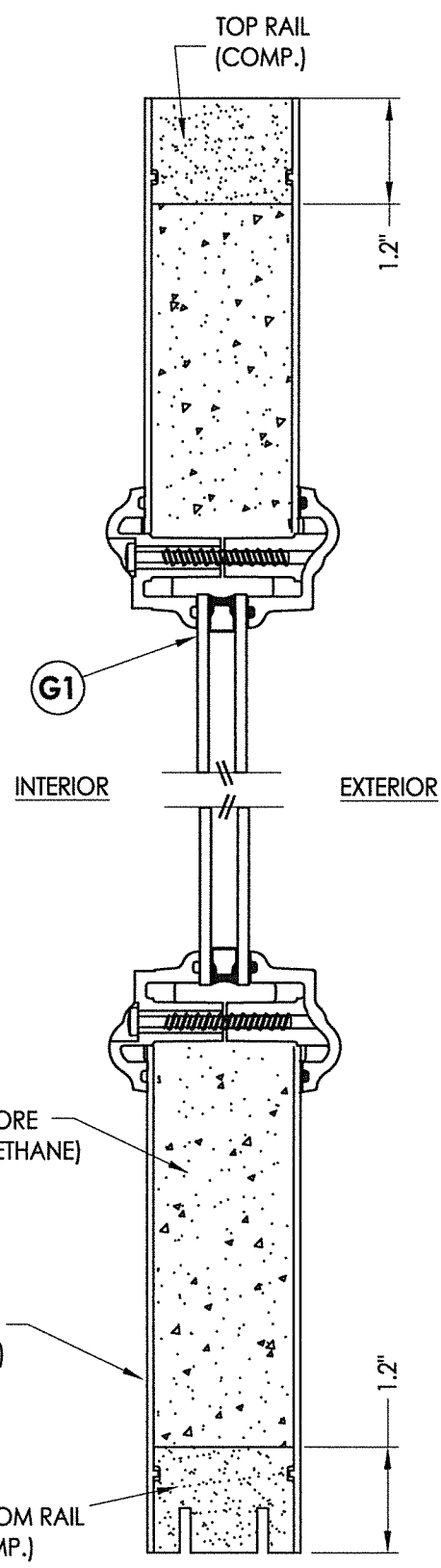
SHEET#	DESCRIPTION
1	Typical elevations, design pressures & general notes
2	Door panel details (lip lite insert glazing)
3	Slidette panel details (lip lite insert glazing)
4	Horizontal cross sections
5	Vertical cross sections
6	Vertical cross sections
7	Frame anchoring

CONFIG.	GLAZING	MODEL	DESIGN PRESSURE (PSF)	
			POSITIVE	NEGATIVE
OXO	LIP LITE INSERT	IN SWING	+40.0	-45.0
OXO	LIP LITE INSERT	OUT SWING	+45.0	-50.0

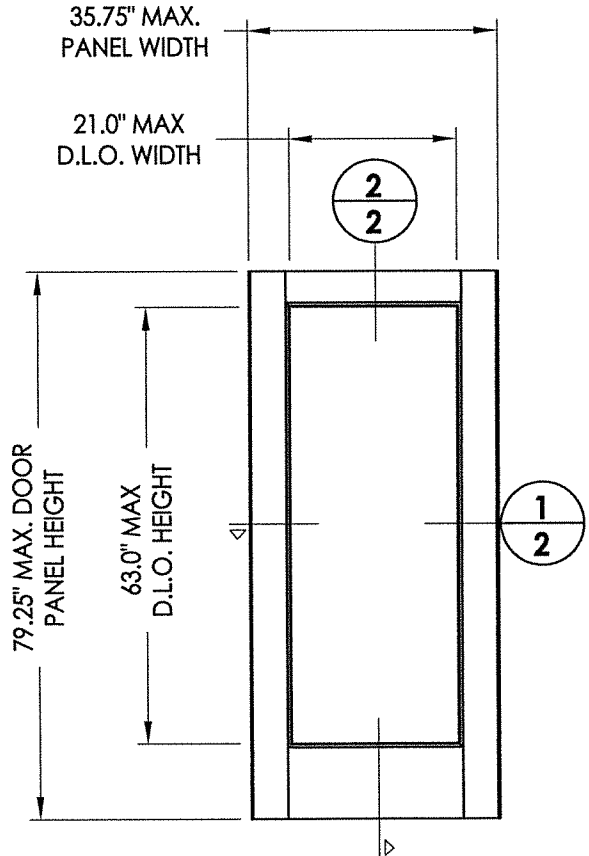
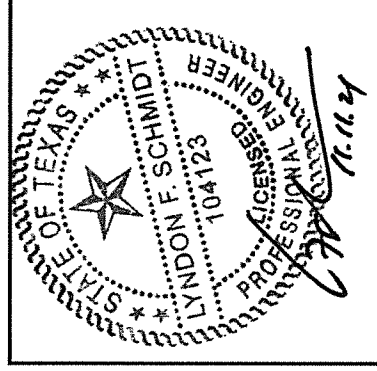
PRODUCT:	ENDURA
PART OR ASSEMBLY:	TYPICAL ELEVATION, DESIGN PRESSURES & GENERAL NOTES
DATE	8/09/12
SCALE	N.T.S.
DWG. BY:	JK
CHK. BY:	LFS
DRAWING NO.:	TX-4214
SHEET	1 OF 7



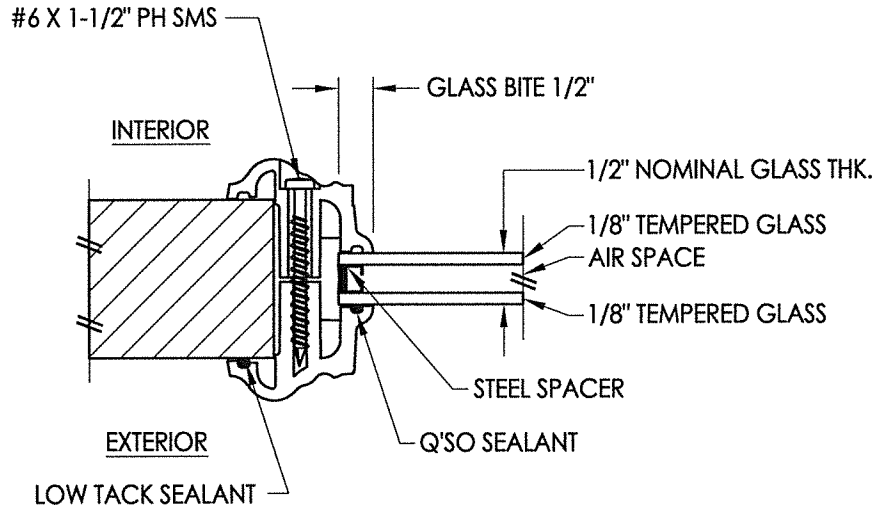
1 HORIZONTAL CROSS SECTION
2



2 VERTICAL CROSS SECTION
2



PLASTPRO
Insert glazed
(fiberglass)



G1 GLAZING DETAIL
Lip Lite Insert Glazing

Documents Prepared By: Lyndon F. Schmidt, P.E.
TEXAS P.E. #104123

RW BUILDING CONSULTANTS, INC.
P.O. Box 230 Valrico FL 33595
Phone No.: 813.659.9197

TEXAS BOARD OF PROFESSIONAL ENGINEERS
CERTIFICATE OF REGISTRATION # F-11852

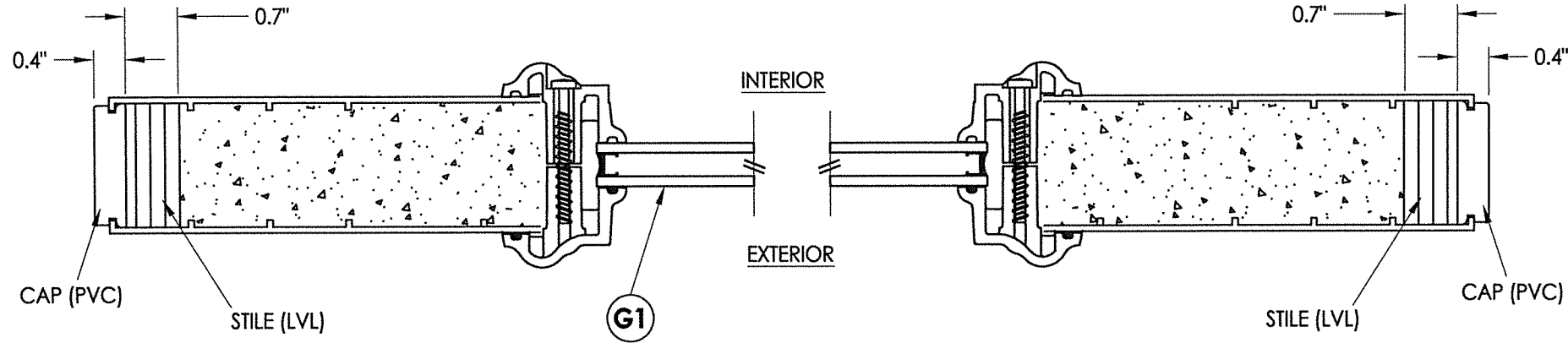
PRODUCT: ENDURA

PART OR ASSEMBLY:
DOOR PANEL DETAILS
(LIP LITE INSERT GLAZING)

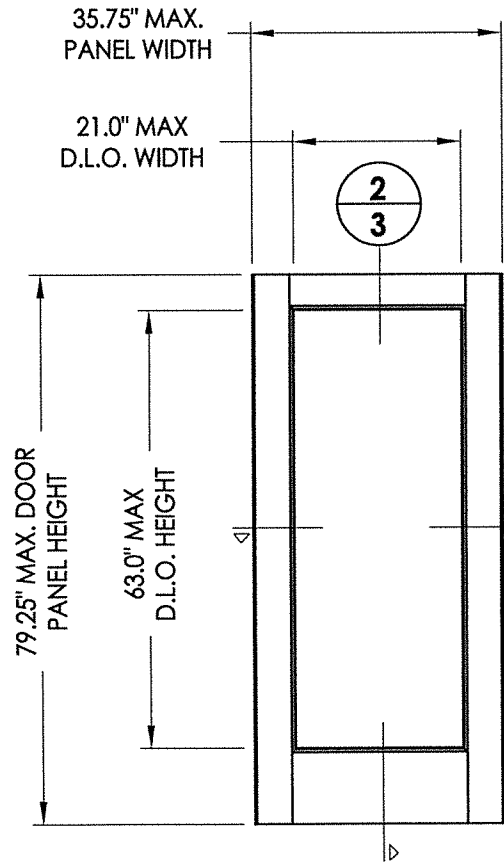
NO.	DATE	REVISIONS
4	11/10/21	UPDATE TO 2018 IBC/IRC CODE
3	11/7/18	REVISED TO INSERT GLAZED ONLY
2	11/02/16	ADDED THRESHOLDS
1	1/07/14	ADDED ARTICULATING SILL

DATE: 8/09/12
SCALE: N.T.S.
DWG. BY: JK
CHK. BY: LFS
DRAWING NO.: TX-4214
SHEET 2 OF 7

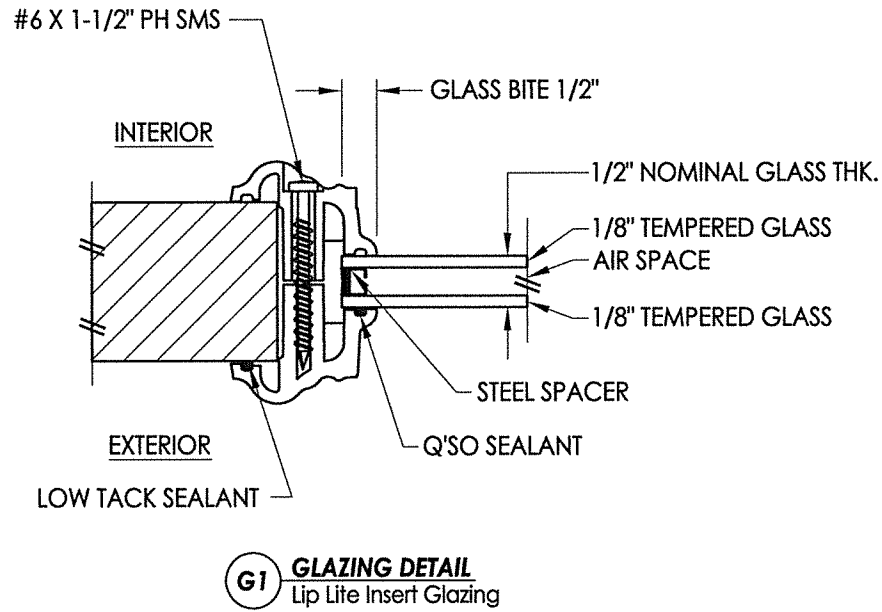
Z:\Clients\Endura PERMANENT\B - Texas Dept of Ins\TDI - DR-611 Plastpro Fiberglass Flush GLZ\C - Drawings\REV 2020\TX-4214-15.dwg



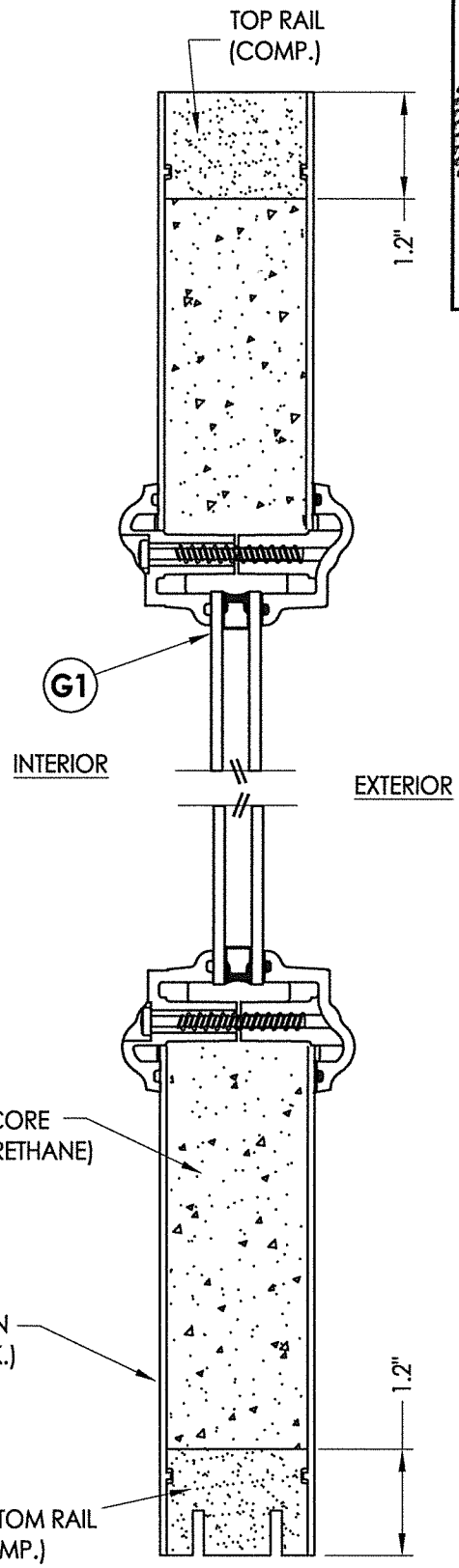
1
3 HORIZONTAL CROSS SECTION



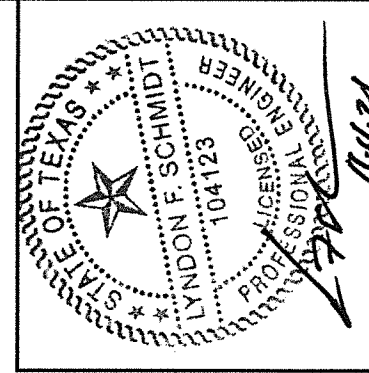
PLASTPRO
Insert glazed
(fiberglass)



G1 GLAZING DETAIL
Lip Lite Insert Glazing



2
3 VERTICAL CROSS SECTION



Documents Prepared By: Lyndon F. Schmidt, P.E.
TEXAS P.E. #104123

RW BUILDING CONSULTANTS, INC.
P.O. Box 230 Valrico FL 33595
Phone No.: 813.659.9197
TEXAS BOARD OF PROFESSIONAL ENGINEERS
CERTIFICATE OF REGISTRATION # F-11852

PRODUCT: ENDURA

PART OR ASSEMBLY:
SIDELITE PANEL DETAILS
(LIP LITE INSERT GLAZING)

NO.	DATE	DESCRIPTION	BY
4	11/10/21	UPDATE TO 2018 IBC/IRC CODE	LFS
3	11/7/18	REVISED TO INSERT GLAZED ONLY	MT
2	11/02/16	ADDED THRESHOLDS	LFS
1	1/07/14	ADDED ARTICULATING SILL	LFS

DATE: 8/09/12

SCALE: N.T.S.

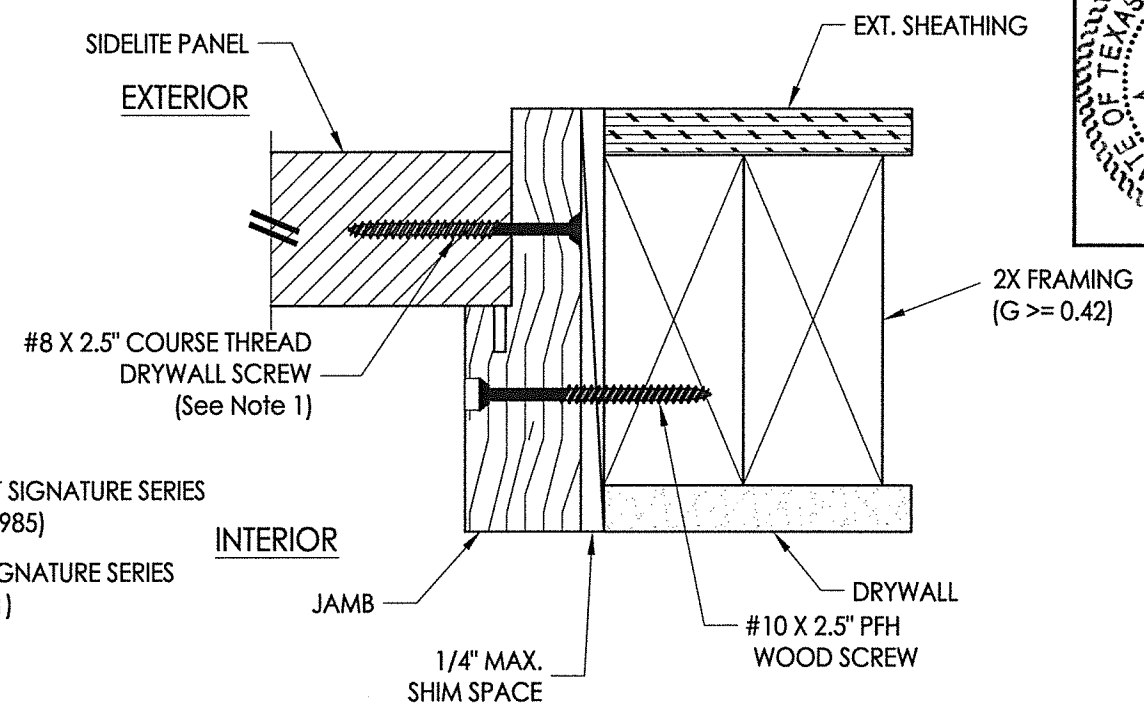
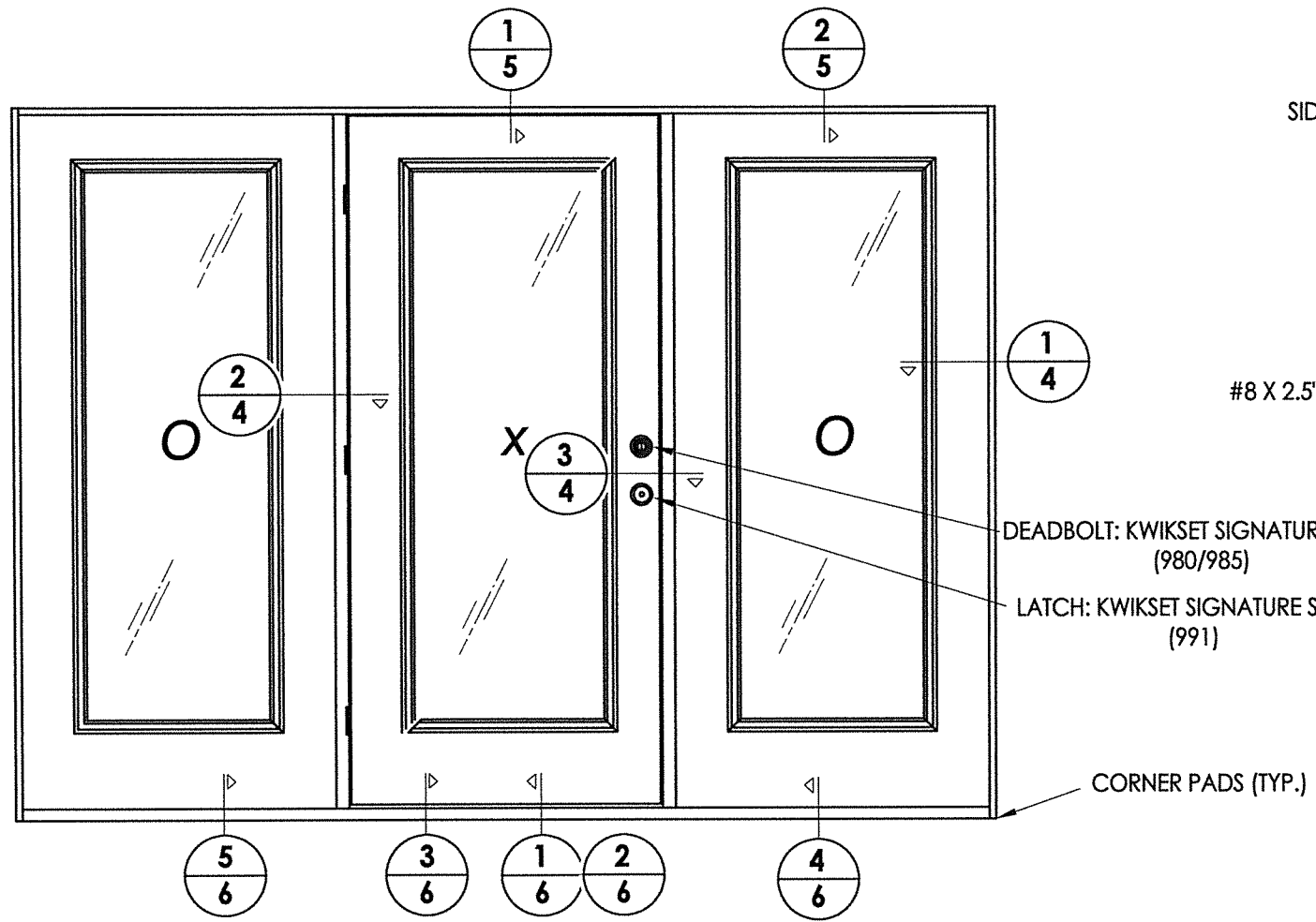
DWG. BY: JK

CHK. BY: LFS

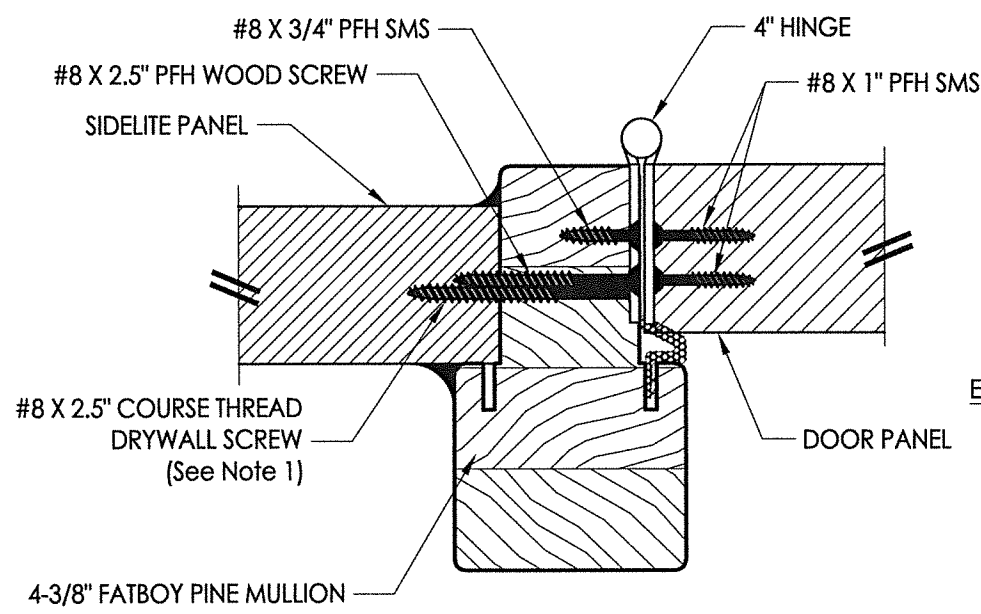
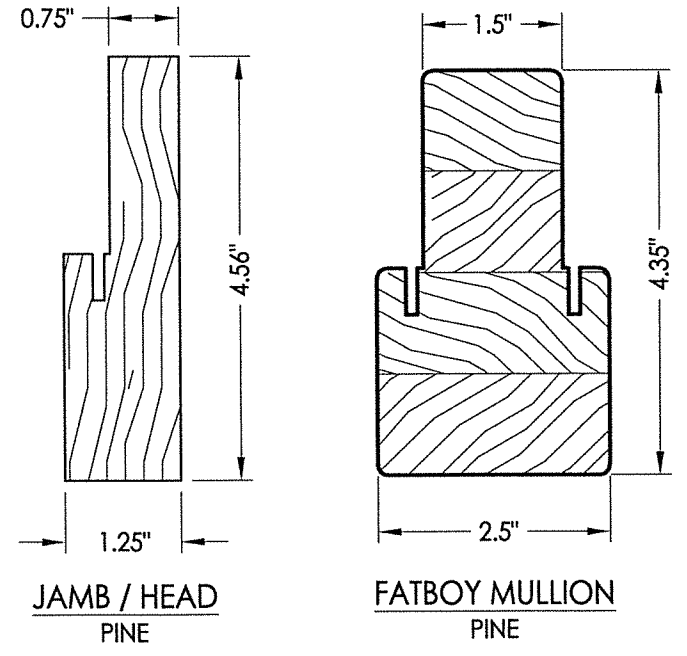
DRAWING NO.:
TX-4214

SHEET 3 OF 7

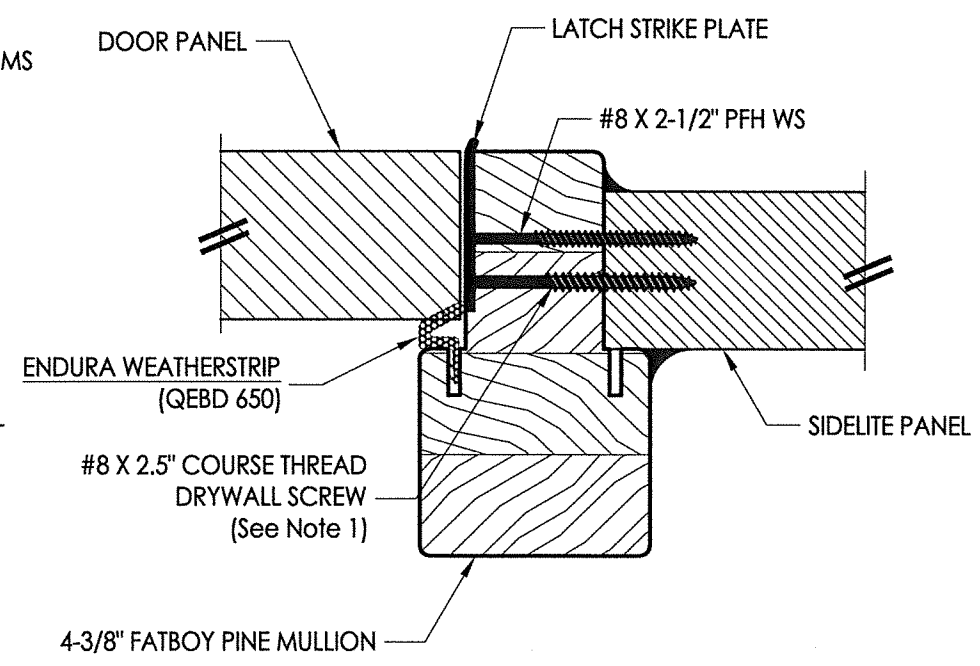
Z:\Clients\Endura PERMANENT\B - Texas Dept of Ins\VDI - DR-611 Plastpro Fiberglass Flush GLZC - Drawings\REV 2020\TX-4214-15.dwg



1 **HORIZONTAL CROSS SECTION**
4 Outswing shown - Inswing also approved

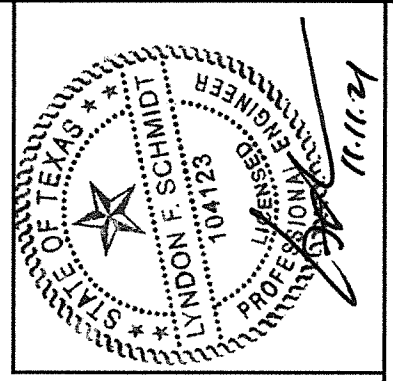


2 **HORIZONTAL CROSS SECTION**
4 Outswing shown - Inswing also approved



3 **HORIZONTAL CROSS SECTION**
4 Outswing shown - Inswing also approved

NOTE:
 1. Spacing for sidelite screws: 6.5", 38.5" and 69" from head to sill (3 total).



Documents Prepared By: Lyndon F. Schmidt, P.E.
 TEXAS P.E. #104123

RW BUILDING CONSULTANTS, INC.
 P.O. Box 230 Valrico FL 33595
 Phone No.: 813.659.9197
 TEXAS BOARD OF PROFESSIONAL ENGINEERS
 CERTIFICATE OF REGISTRATION # F-11852

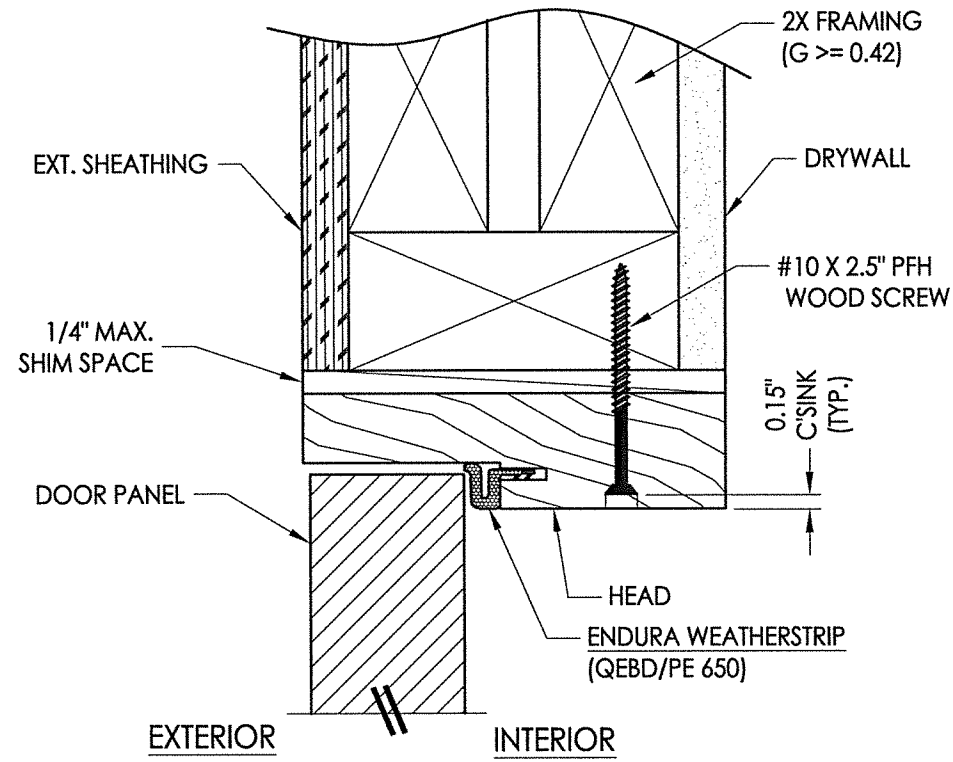
PRODUCT:	ENDURA
	FIBERGLASS DOOR
PART OR ASSEMBLY:	HORIZONTAL CROSS SECTIONS

NO.	DATE	REVISIONS
4	11/10/21	UPDATE TO 2018 IBC/IRC CODE
3	11/7/18	REVISED TO INSERT GLAZED ONLY
2	11/02/16	ADDED THRESHOLDS
1	1/07/14	ADDED ARTICULATING SILL
		BY
		LFS
		LFS

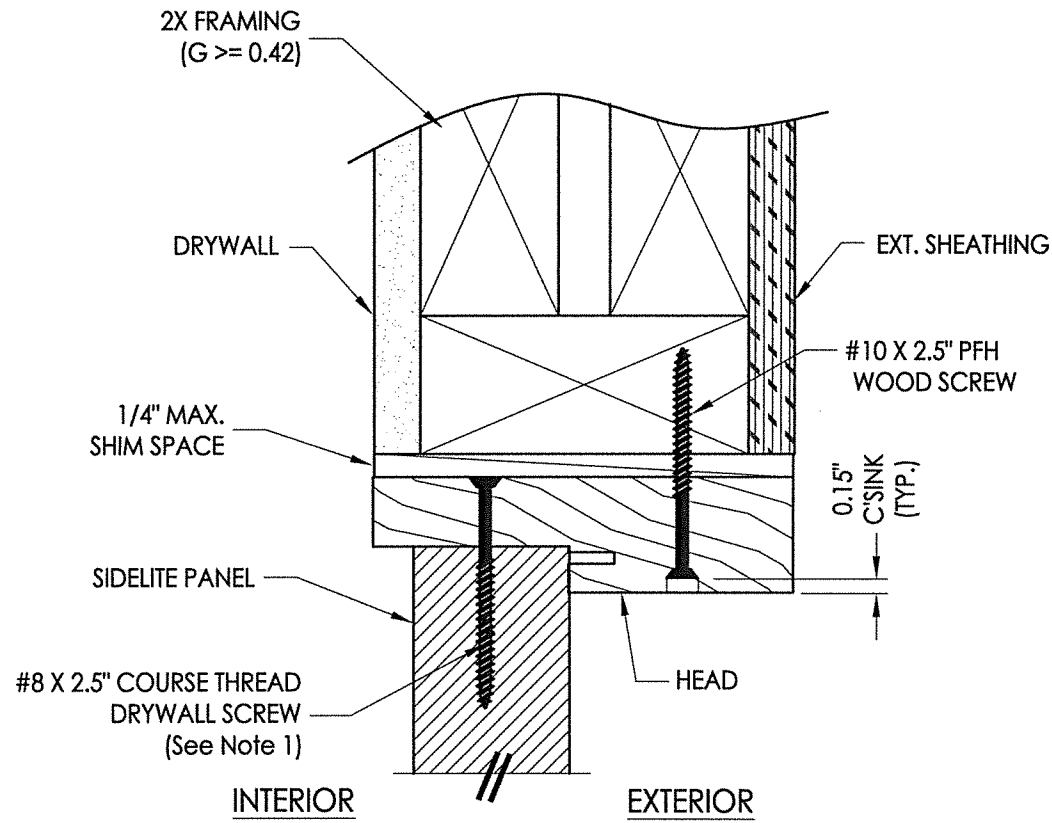
DATE:	8/09/12
SCALE:	N.T.S.
DWG. BY:	JK
CHK. BY:	LFS
DRAWING NO.:	TX-4214
SHEET	4 OF 7

© 2012 R.W. BUILDING CONSULTANTS INC.

Z:\Clients\Endura PERMANENT\B - Texas Dept of Ins\TDI - DR-611 Plastpro Fiberglass Flush GLZ\C - Drawings\REV 2020\TX-4214-15.dwg

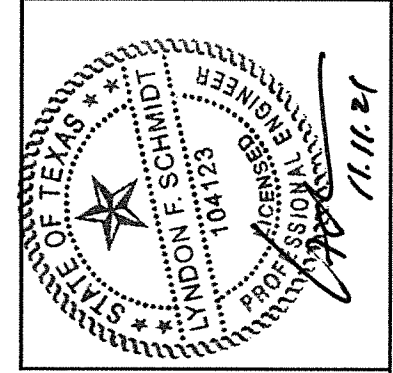


1 VERTICAL CROSS SECTION
 5 Outswing shown - inswing also approved



2 VERTICAL CROSS SECTION
 5 Inswing shown - Outswing also approved

NOTE:
 1. Spacing for sidelite screws:
 6" from each end (2 total).



Documents Prepared By: Lyndon F. Schmidt, P.E.
 TEXAS P.E. #104123

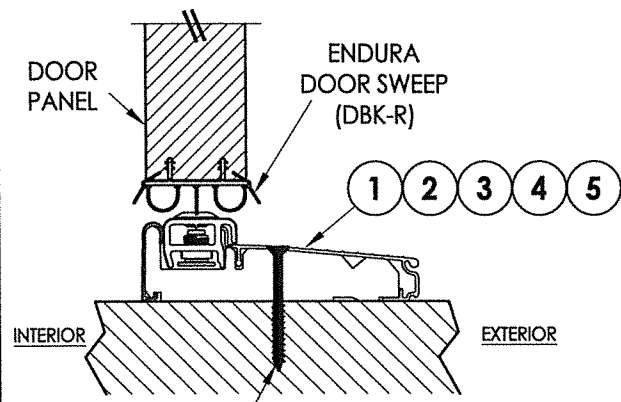
RW BUILDING CONSULTANTS, INC.
 P.O. Box 230 Vairico FL 33595
 Phone No.: 813.659.9197
 TEXAS BOARD OF PROFESSIONAL ENGINEERS
 CERTIFICATE OF REGISTRATION # F-11852

PRODUCT: ENDURA
 PART OR ASSEMBLY: VERTICAL CROSS SECTIONS

NO.	DATE	REVISIONS
4	11/10/21	UPDATE TO 2018 IBC/IRC CODE
3	11/7/18	REVISED TO INSERT GLAZED ONLY
2	11/02/16	ADDED THRESHOLDS
1	1/07/14	ADDED ARTICULATING SILL

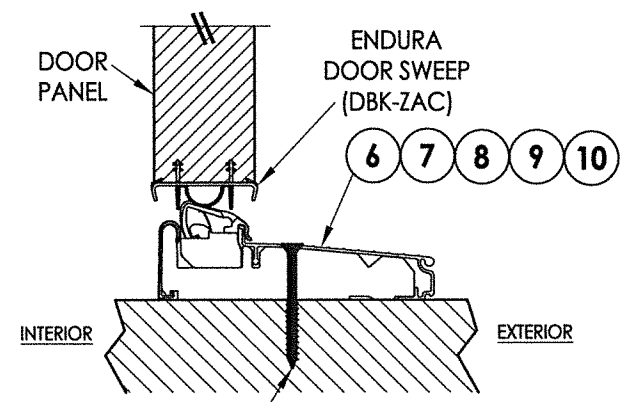
DATE: 8/09/12
 SCALE: N.T.S.
 DWG. BY: JK
 CHK. BY: LFS
 DRAWING NO.: TX-4214
 SHEET 5 OF 7

Z:\Clients\Endura PERMANENT\B - Texas Dept of Ins\TDI - DR-611 Plastpro Fiberglass Flush GLZ\C - Drawings\REV 2020\TX-4214-15.dwg



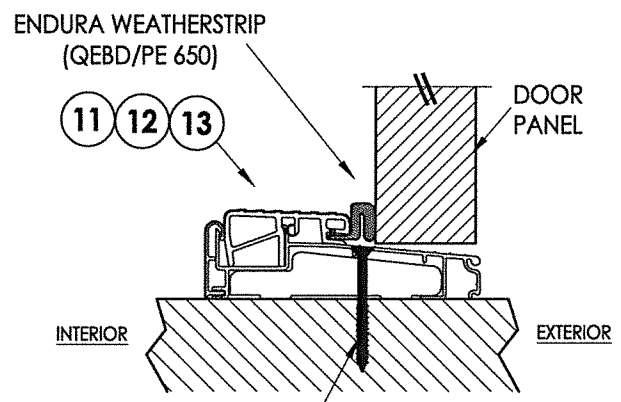
#10 X 2.5" PFH WOOD SCREW OR 1/4" X 2-3/4" DeWALT OR ITW CONCRETE SCREW

1 VERTICAL CROSS SECTION
6 Inswing Adjustable Threshold



#10 X 2.5" PFH WOOD SCREW OR 1/4" X 2-3/4" DeWALT OR ITW CONCRETE SCREW

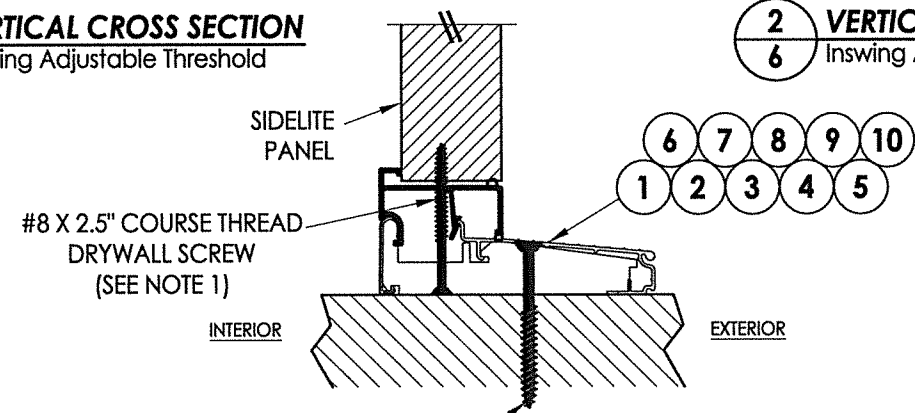
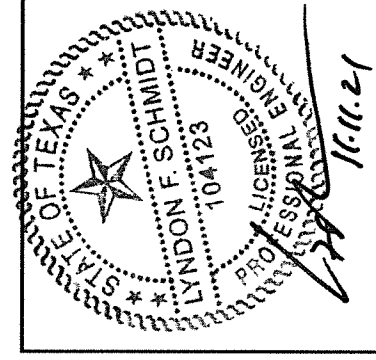
2 VERTICAL CROSS SECTION
6 Inswing Articulating Threshold



#10 X 2.5" PFH WOOD SCREW OR 1/4" X 2-3/4" DeWALT OR ITW CONCRETE SCREW

3 VERTICAL CROSS SECTION
6 Outswing Bump Threshold

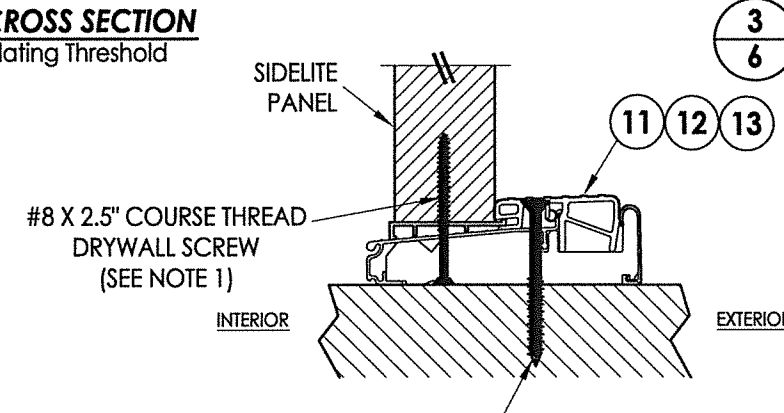
NOTE:
1. Spacing for sidelite screws: 6" from each end (2 total).



#8 X 2.5" COURSE THREAD DRYWALL SCREW (SEE NOTE 1)

#10 X 2.5" PFH WOOD SCREW OR 1/4" X 2-3/4" DeWALT OR ITW CONCRETE SCREW

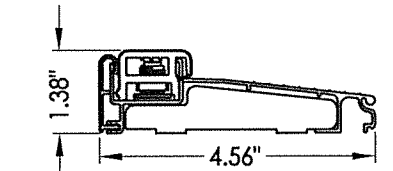
4 VERTICAL CROSS SECTION
6 Inswing configuration



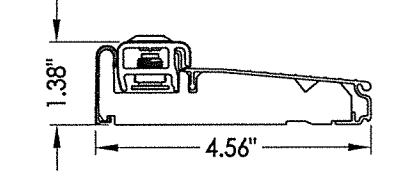
#8 X 2.5" COURSE THREAD DRYWALL SCREW (SEE NOTE 1)

#10 X 2.5" PFH WOOD SCREW OR 1/4" X 2-3/4" DeWALT OR ITW CONCRETE SCREW

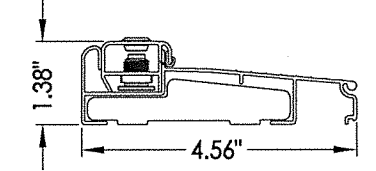
5 VERTICAL CROSS SECTION
6 Outswing configuration



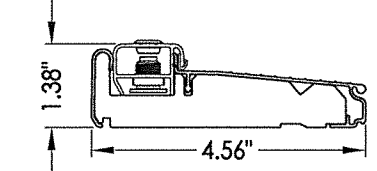
1 INSWING ADJUSTABLE THRESHOLD
ZAIL4565



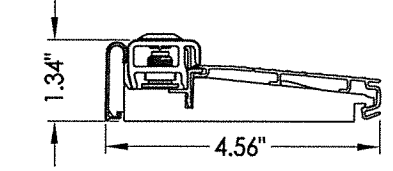
2 INSWING ADJUSTABLE THRESHOLD
ZAI4565FN



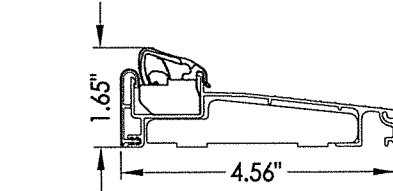
3 INSWING ADJUSTABLE THRESHOLD
ZAILAA4565



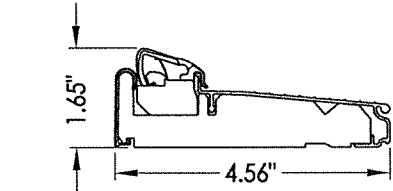
4 INSWING ADJUSTABLE THRESHOLD
ZAIAA4565FN



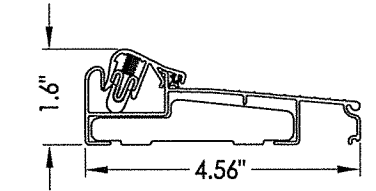
5 INSWING ADJUSTABLE THRESHOLD
ZAI4565RDS



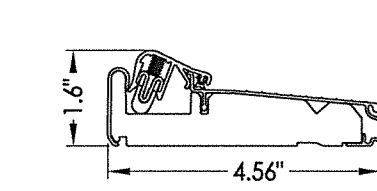
6 INSWING ARTICULATING THRESHOLD
ZAAL4565



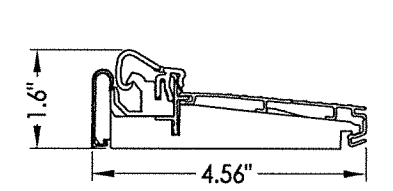
7 INSWING ARTICULATING THRESHOLD
ZAC4565FN



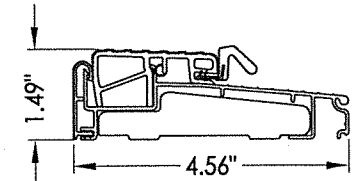
8 INSWING ARTICULATING THRESHOLD
ZAALAA4565



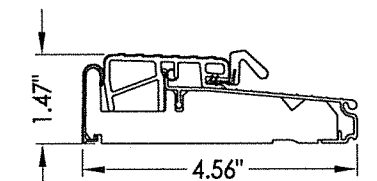
9 INSWING ARTICULATING THRESHOLD
ZACAA4565FN



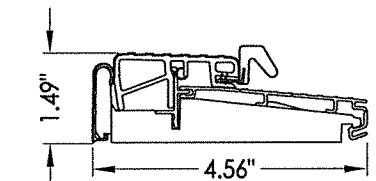
10 INSWING ARTICULATING THRESHOLD
ZAC4565RDS



11 OUTSWING THRESHOLD
ZOBL4565



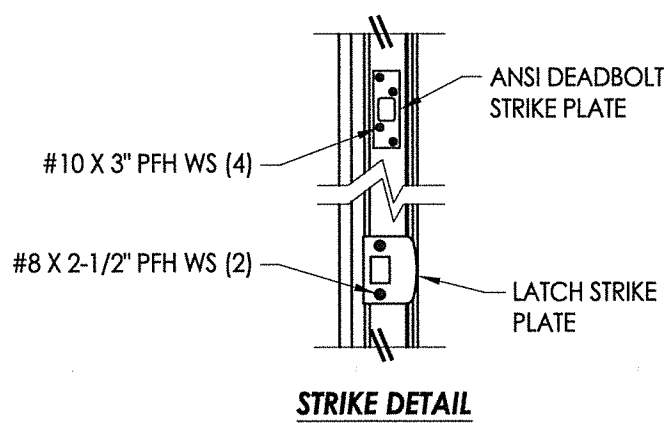
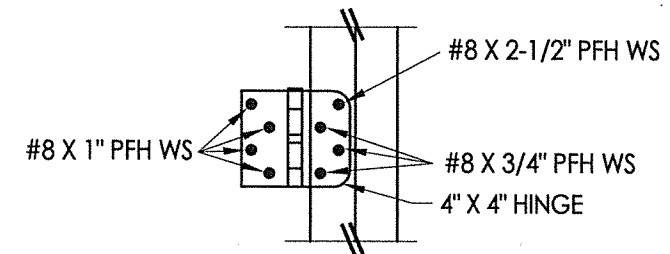
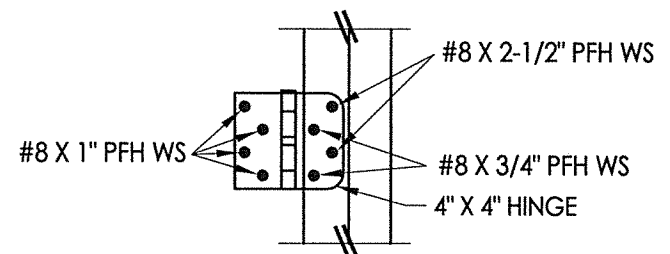
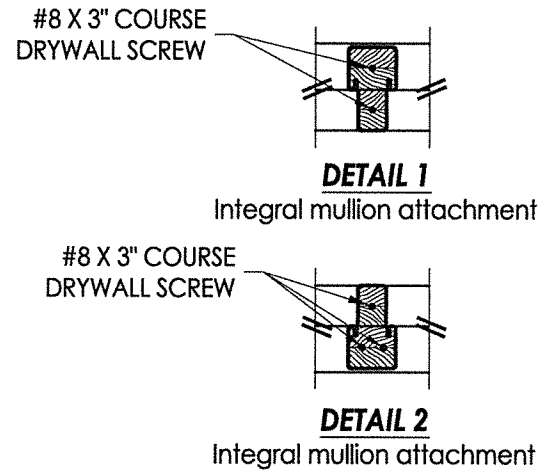
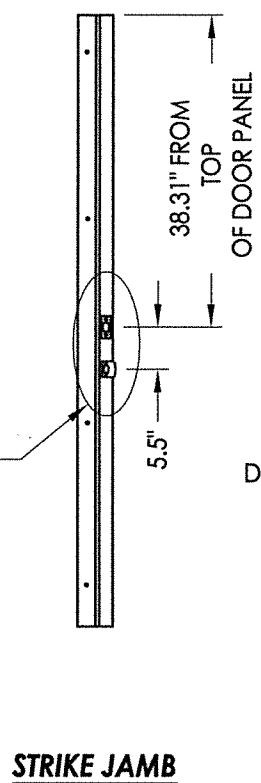
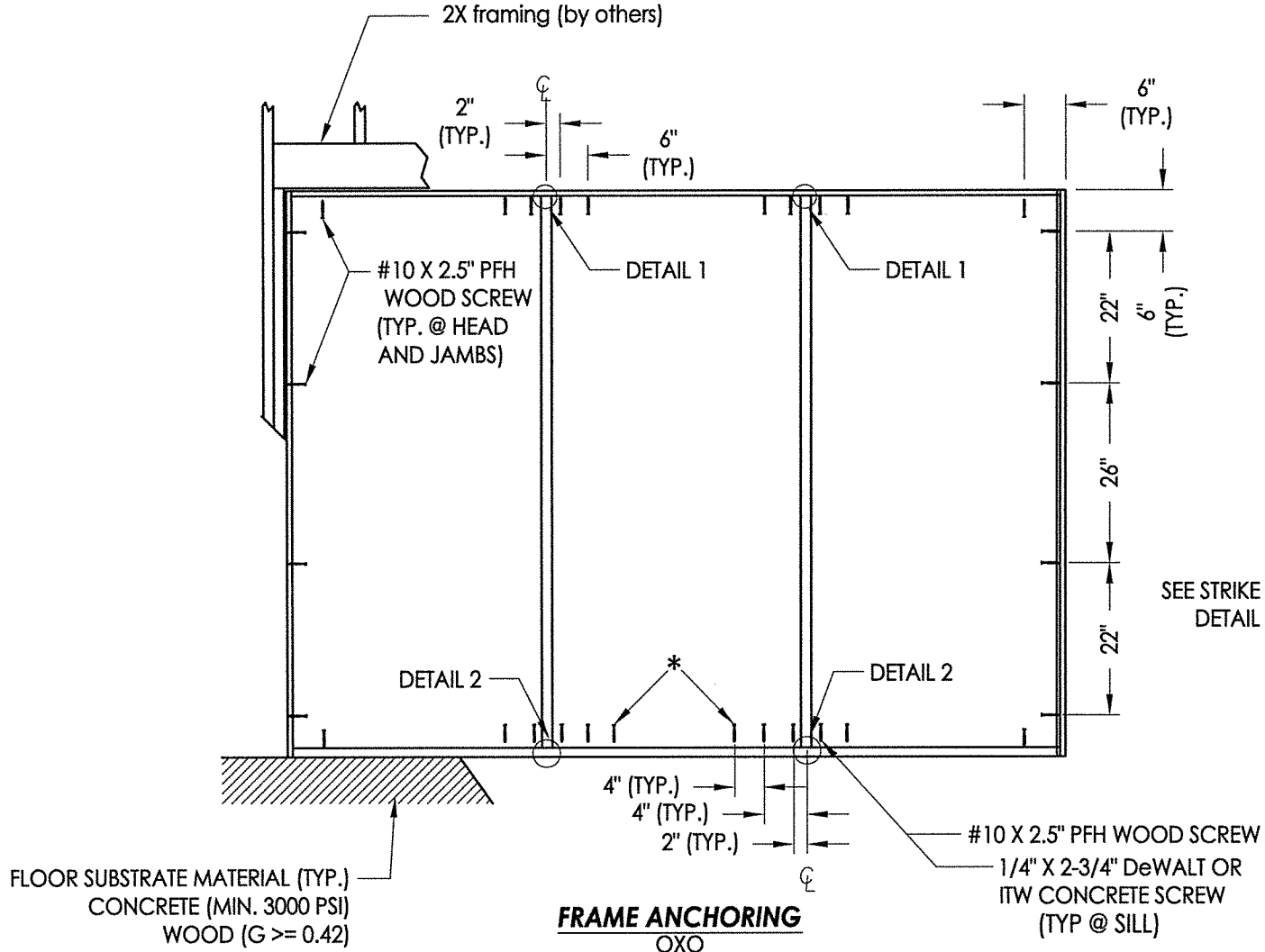
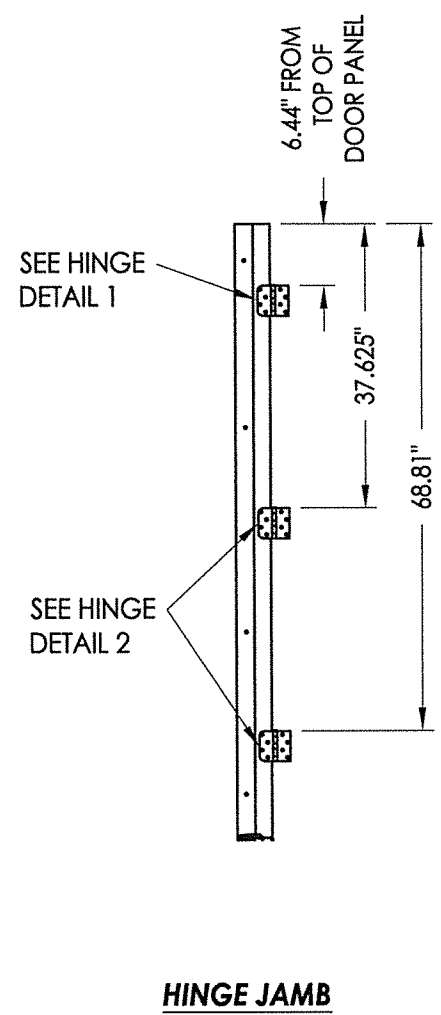
12 OUTSWING THRESHOLD
ZOB4565FN



13 OUTSWING THRESHOLD
ZOB4565RDS

Documents Prepared By: Lyndon F. Schmidt, P.E. TEXAS P.E. #104123		BUILDING CONSULTANTS, INC. P.O. Box 230 Vairico FL 33595 Phone No.: 813.659.9197	
PRODUCT: ENDURA		FIBERGLASS DOOR	
PART OR ASSEMBLY:		VERTICAL CROSS SECTIONS	
NO.	DATE	BY	REVISIONS
4	11/10/21	LFS	UPDATE TO 2018 IBC/IRC CODE
3	11/7/18	MT	REVISED TO INSERT GLAZED ONLY
2	11/02/16	LFS	ADDED THRESHOLDS/REVISED DP
1	1/07/14	LFS	ADDED ARTICULATING SILL
DATE: 8/09/12		SCALE: N.T.S.	
DWG. BY: JK		CHK. BY: LFS	
DRAWING NO.: TX-4214		SHEET 6 OF 7	

© 2012 R.W. BUILDING CONSULTANTS INC.

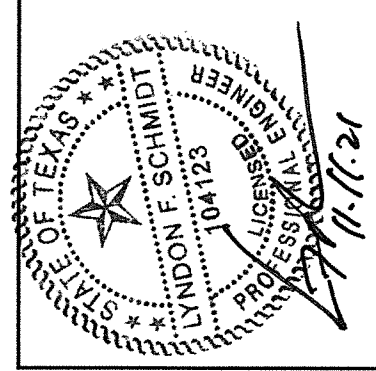


* NOTE: These anchors required for D.P. > 45 PSF.

CONCRETE ANCHOR NOTES:

1. Concrete anchor locations at the corners may be adjusted to maintain the min. edge distance to mortar joints.
2. Concrete anchor locations noted as "MAX. ON CENTER" must be adjusted to maintain the min. edge distance to mortar joints, additional concrete anchors may be required to ensure the "MAX. ON CENTER" dimension are not exceeded.
3. Concrete anchor table:

ANCHOR TYPE	ANCHOR SIZE	MIN. EMBEDMENT	MIN. CLEARANCE TO MASONRY EDGE	MIN. CLEARANCE TO ADJACENT ANCHOR
ITW TAPCON®	1/4"	1-3/4"	2-1/2"	3"
DeWALT ULTRACON®	1/4"	1-3/4"	1"	3"



Documents Prepared By: Lyndon F. Schmidt, P.E.
TEXAS P.E. #104123

RW BUILDING CONSULTANTS, INC.
P.O. Box 230 Valrico FL, 33595
Phone No.: 813.659.9197

TEXAS BOARD OF PROFESSIONAL ENGINEERS
CERTIFICATE OF REGISTRATION # F-11852

PRODUCT: ENDURA

PART OR ASSEMBLY: FRAME ANCHORING

NO.	DATE	REVISIONS
4	11/10/21	UPDATE TO 2018 IBC/IRC CODE
3	11/7/18	REVISED TO INSERT GLAZED ONLY
2	11/02/16	ADDED THRESHOLDS
1	1/07/14	ADDED ARTICULATING SILL

DATE: 8/09/12
SCALE: N.T.S.
DWG. BY: JK
CHK. BY: LFS
DRAWING NO.: TX-4214
SHEET 7 OF 7