



8811 West Market Street
Colfax, NC 27235

Glazed Fiberglass Door

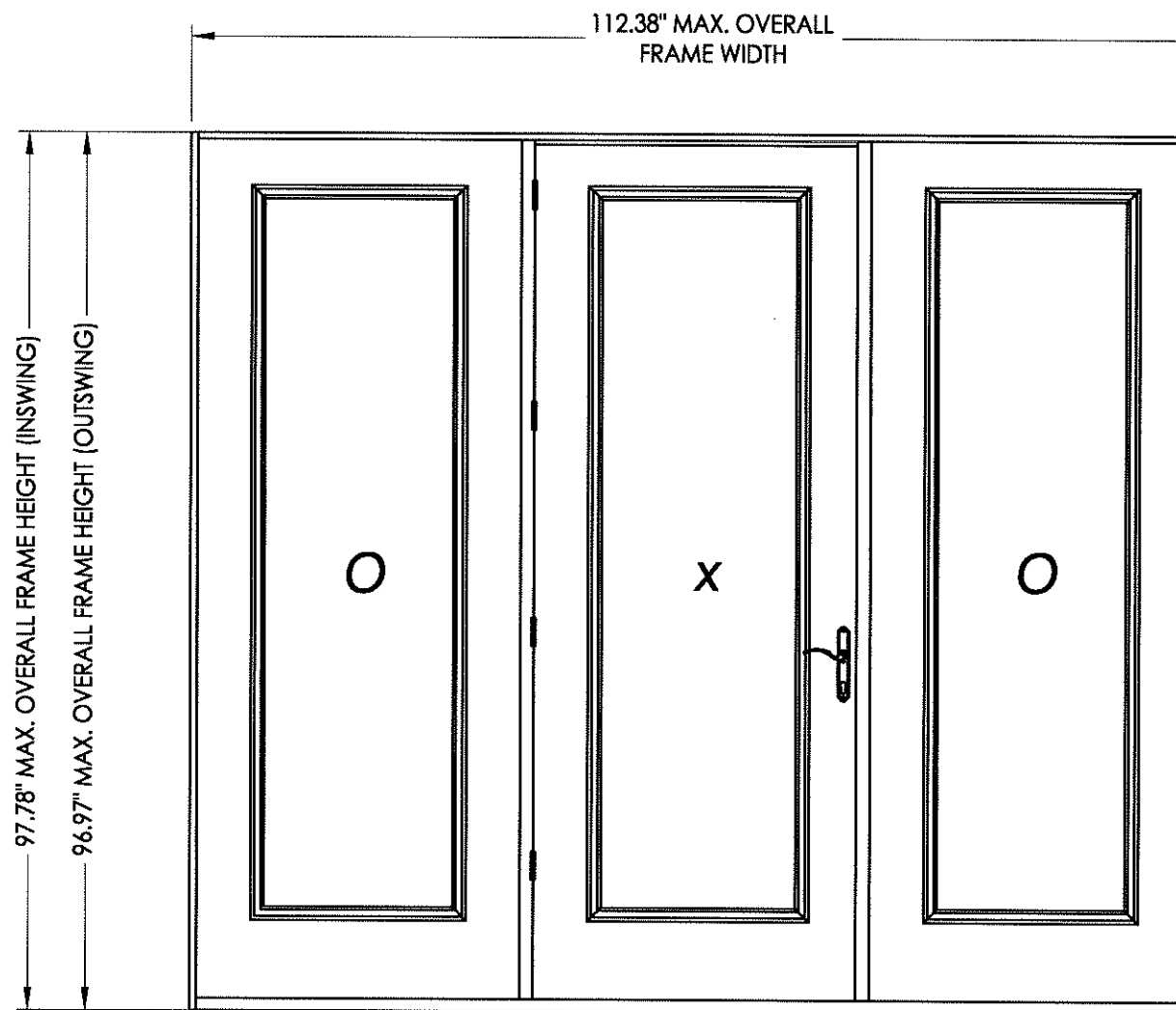
"NON-IMPACT"
INSWING / OUTSWING

EVALUATED FOR USE IN THE STATE OF TEXAS

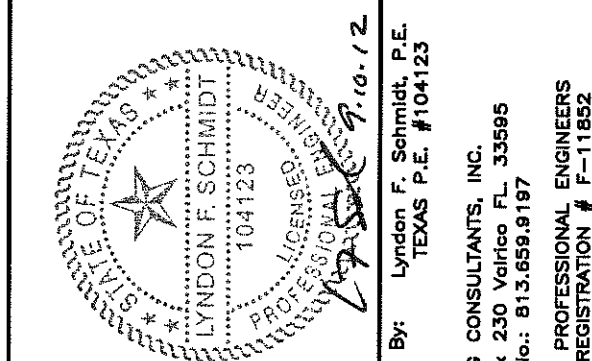
The Glazed Fiberglass Door system described herein complies with the 2006 International Residential Code (IRC), Sections R301 & R613 and the 2006 International Building Code (IBC), Sections 1405.12, 1609, 1714.5, 2403 and 2404 (including Texas revisions) subject to the following conditions:

1. Anchors shall be as listed and spaced as shown in the details. Anchor embedment to base material shall be beyond wall dressing or stucco.
2. When used in areas requiring wind-borne debris protection this product is required to be protected with an impact resistant covering that complies with Section R301.2.1.2 of the IRC and Section 1609.1.2 of the IBC.
3. Allowable design pressure requirements must be equal to or less than the design pressure rating shown in the design pressure chart, sheet 1 of this drawing.
4. Conditions not covered by this drawing are subject to further engineering analysis.

TABLE OF CONTENTS	
SHEET#	DESCRIPTION
1	Typical elevations, design pressures & general notes
2	Lock details (Hoppe HLS 9000)
3	Door panel details (Fiber Classic - flush glazing)
4	Door panel details (Smooth Star - flush glazing)
5	Horizontal cross sections
6	Vertical cross sections
7	Vertical cross sections
8	Frame anchoring



CONFIG.	MODEL	DESIGN PRESSURE (PSF) INSWING		DESIGN PRESSURE (PSF) OUTSWING	
		POSITIVE	NEGATIVE	POSITIVE	NEGATIVE
OXO	FIBER CLASSIC	+30.0	-30.0	+50.0	-50.0
	SMOOTH STAR	+30.0	-30.0	+35.0	-35.0



Documents Prepared By: Lyndon F. Schmidt, P.E.
TEXAS P.E. #104123

RW BUILDING CONSULTANTS, INC.
P.O. Box 230 Volrico FL 33595
Phone No.: 813.659.9197

TEXAS BOARD OF PROFESSIONAL ENGINEERS
CERTIFICATE OF REGISTRATION # F-11852

PRODUCT: ENDURA

PART OR ASSEMBLY: TYPICAL ELEVATION, DESIGN PRESSURES & GENERAL NOTES

NO.	DATE	BY	REVISIONS

DATE: 9/06/12

SCALE: N.T.S.

DWG. BY: JK

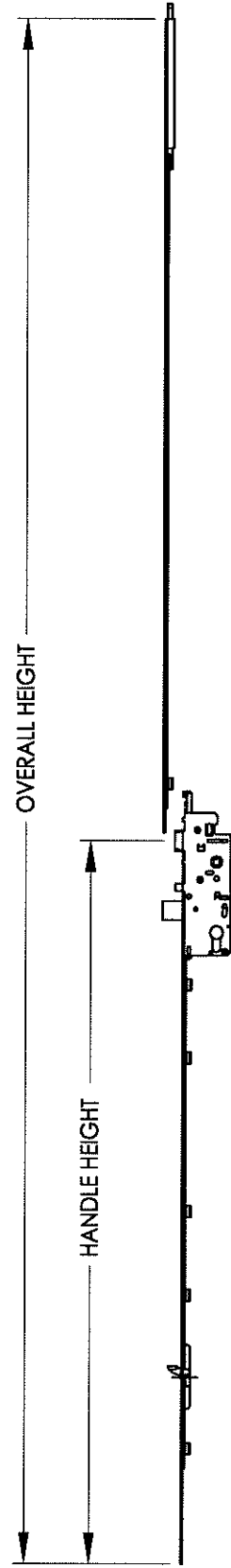
CHK. BY: LFS

DRAWING NO.: TX-4219

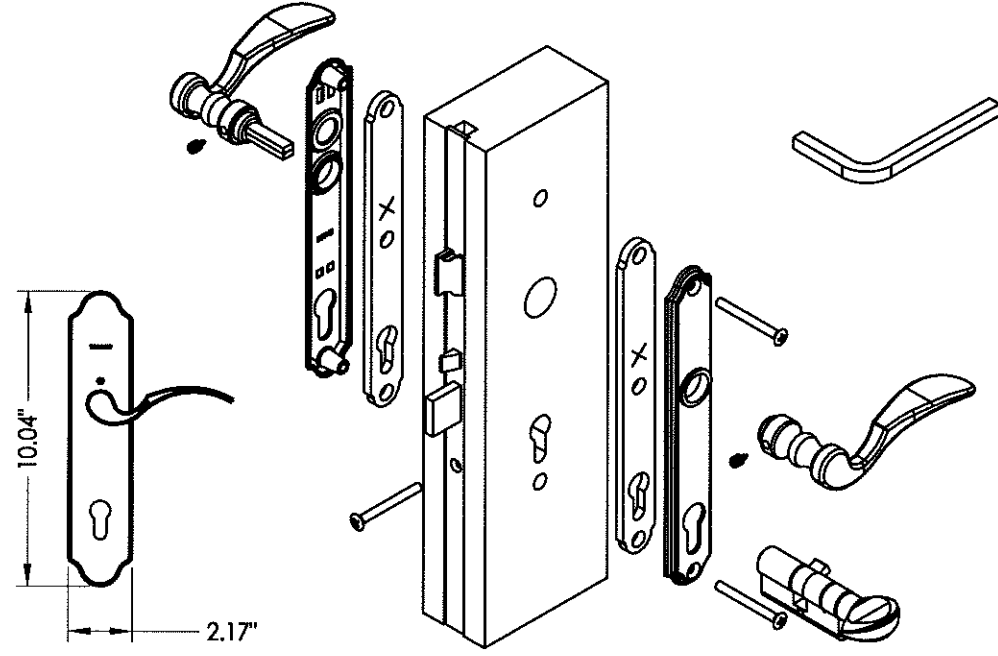
SHEET 1 OF 8

R:\A - Projects\Project Folders\Proj 1601 - 1700\PF 1675\D. RWBC Drawings\TX-4216-19.dwg, TX-4219

MANUAL TONGUE/SHOOTBOLT GEAR SYSTEM

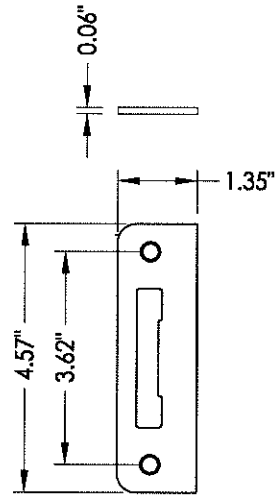


HOPPE MULTI-POINT LOCKSET

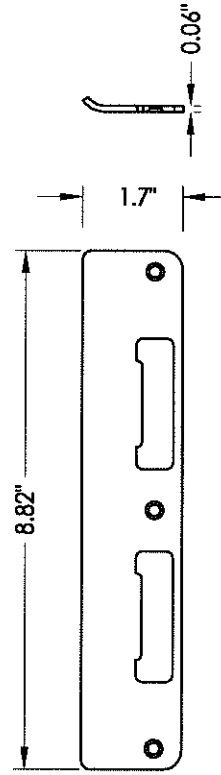


HOPPE MULTI-POINT LOCKSET
Manual Tongue/Shootbolt

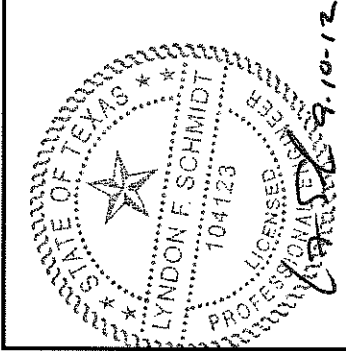
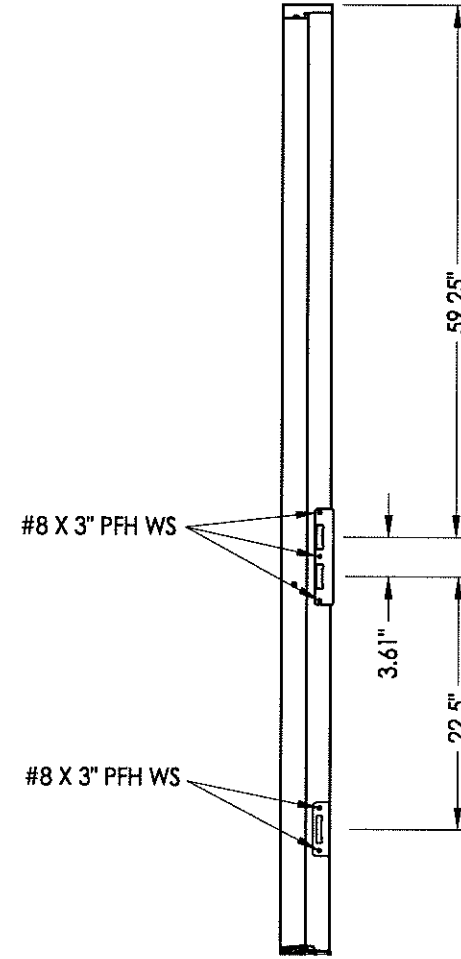
MULTI-POINT STRIKE PLATE



LATCH & DEADBOLT STRIKE PLATE



STRIKE JAMB



Documents Prepared By: Lyndon F. Schmidt, P.E.
TEXAS P.E. #104123

RW BUILDING CONSULTANTS, INC.
P.O. Box 230 Vairico FL 33595
Phone No.: 813.659.9197

TEXAS BOARD OF PROFESSIONAL ENGINEERS
CERTIFICATE OF REGISTRATION # F-11852

PRODUCT: ENDURA

PART OR ASSEMBLY: LOCK DETAILS (HOPPE HLS 9000)

NO.	DATE	BY	REVISIONS

DATE: 9/06/12

SCALE: N.T.S.

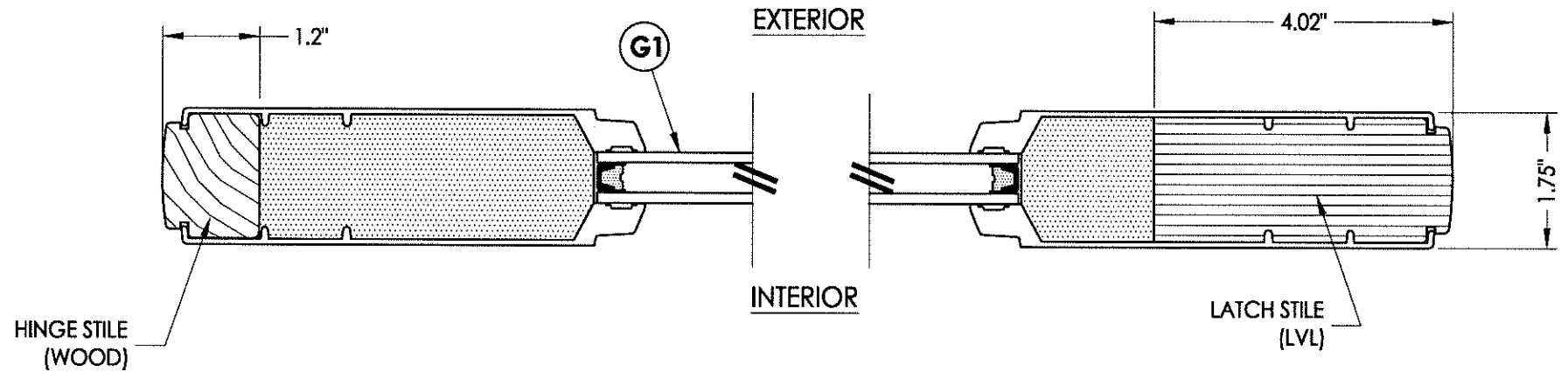
DWG. BY: JK

CHK. BY: LFS

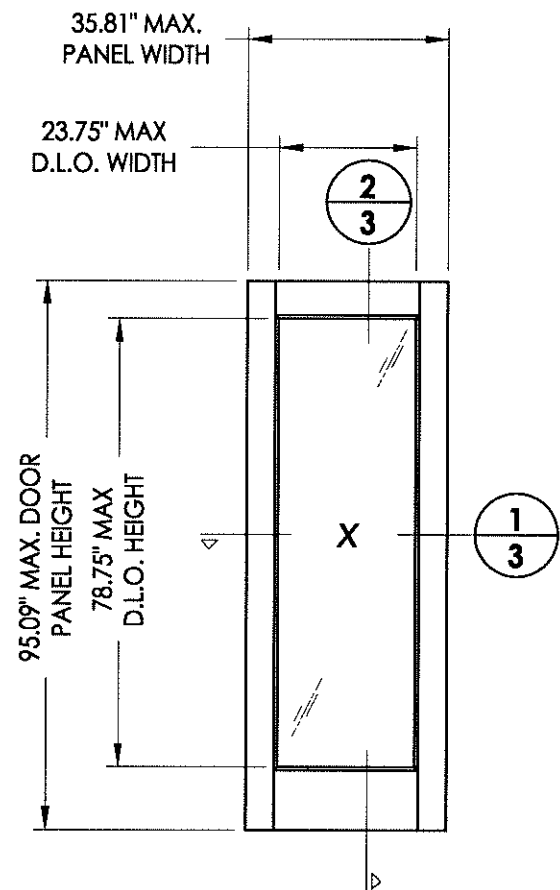
DRAWING NO.: TX-4219

SHEET 2 of 8

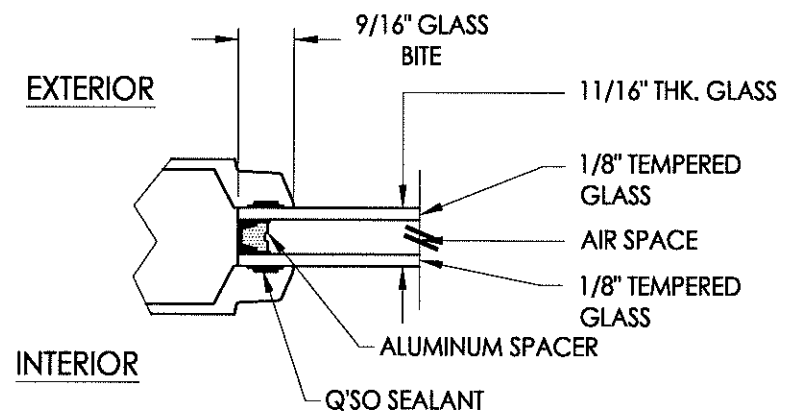
R:\A - Projects\Project Folders\Proj 1601 - 1700\PF 1675\D. RWBC Drawings\TX-4216-19.dwg, 3.4



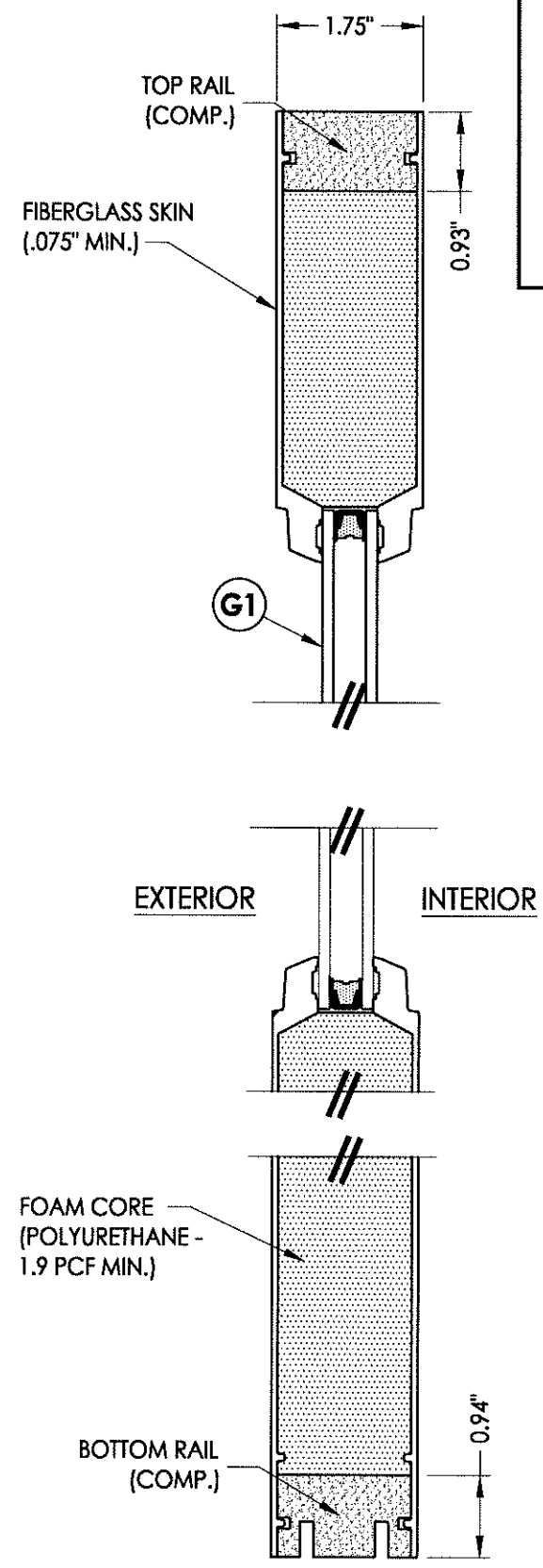
1
3 HORIZONTAL CROSS SECTION



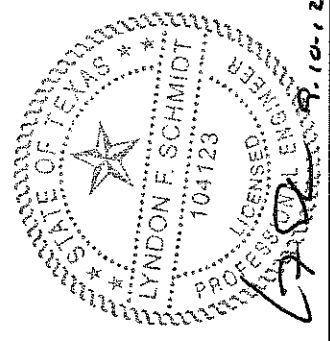
THERMA TRU - Fiber Classic Panel
Flush glazed
(fiberglass)



G1 GLAZING DETAIL



2
3 VERTICAL CROSS SECTION



Documents Prepared By: Lyndon F. Schmidt, P.E.
TEXAS P.E. #104123

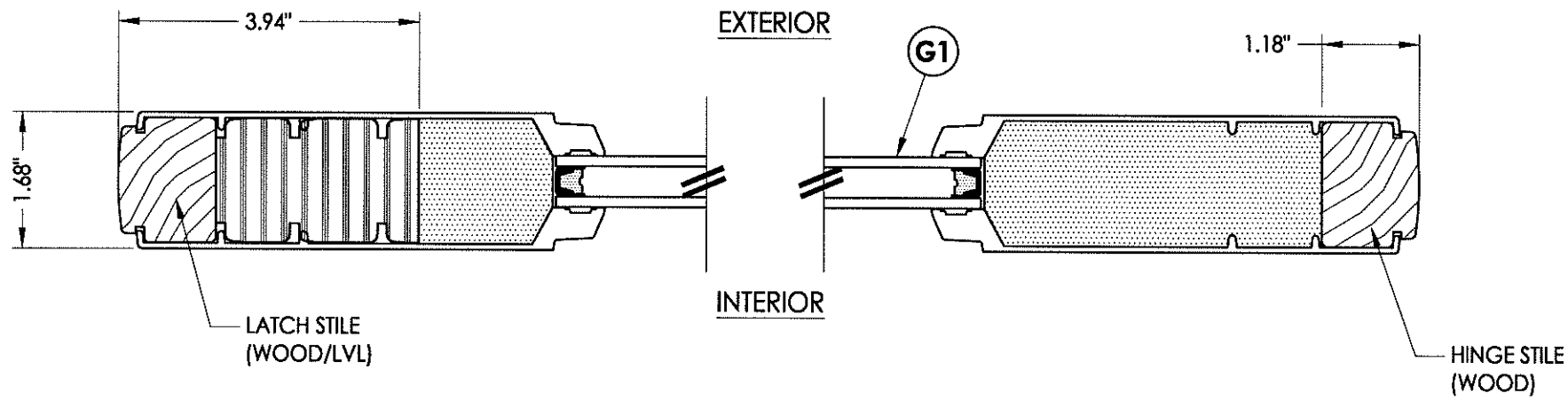
RW BUILDING CONSULTANTS, INC.
P.O. Box 230 Valrico FL 33595
Phone No.: 813.659.9197

TEXAS BOARD OF PROFESSIONAL ENGINEERS
CERTIFICATE OF REGISTRATION # F-11852

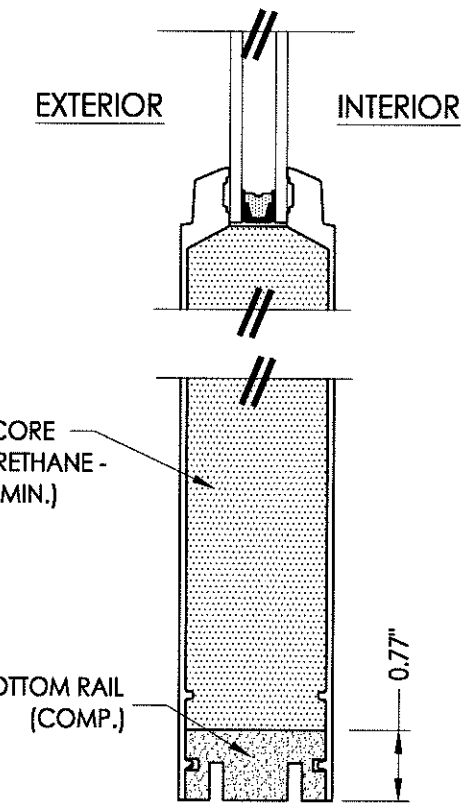
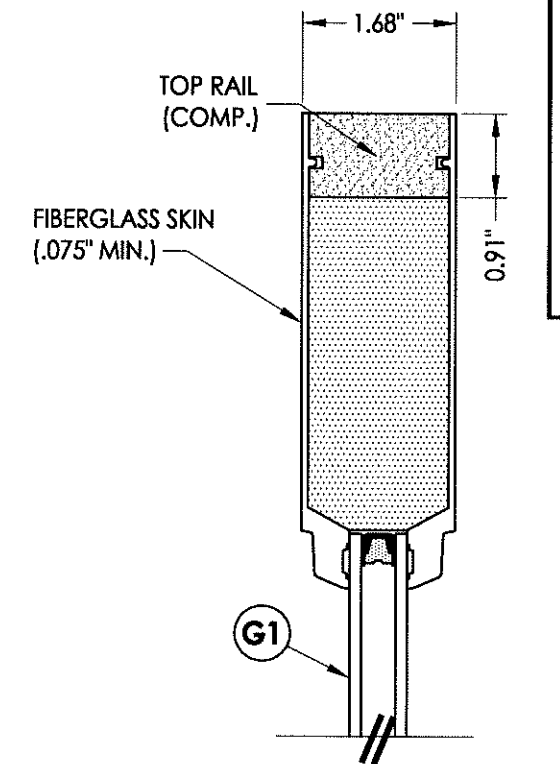
PRODUCT: ENDURA
PART OR ASSEMBLY: DOOR/SIDELITE PANEL DETAILS (FIBER CLASSIC - FLUSH GLAZED)

NO.	DATE	BY	REVISIONS

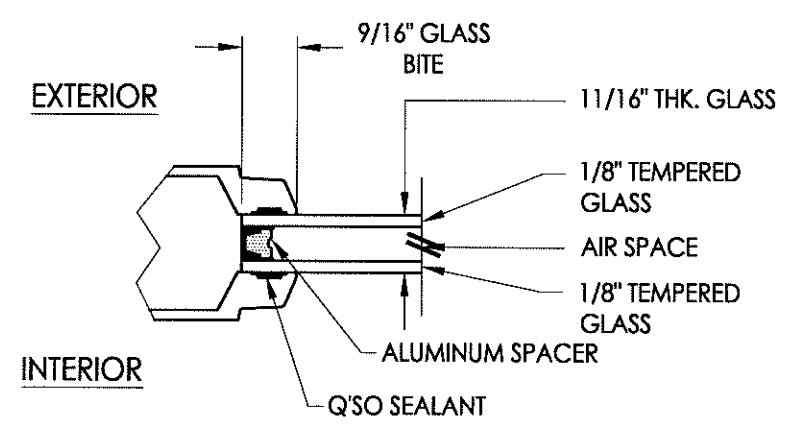
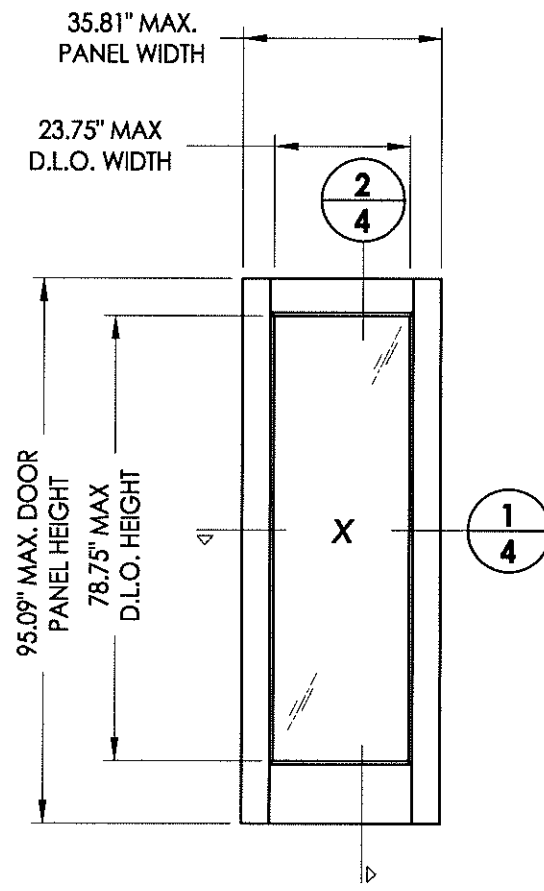
DATE: 9/06/12
SCALE: N.T.S.
DWG. BY: JK
CHK. BY: LFS
DRAWING NO.: TX-4219
SHEET 3 OF 8



1
4 HORIZONTAL CROSS SECTION

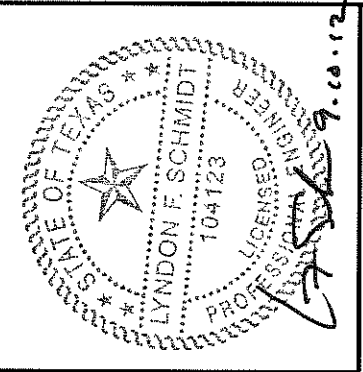


2
4 VERTICAL CROSS SECTION



G1 GLAZING DETAIL

THERMA TRU - Smooth Star Panel
Flush glazed
(fiberglass)

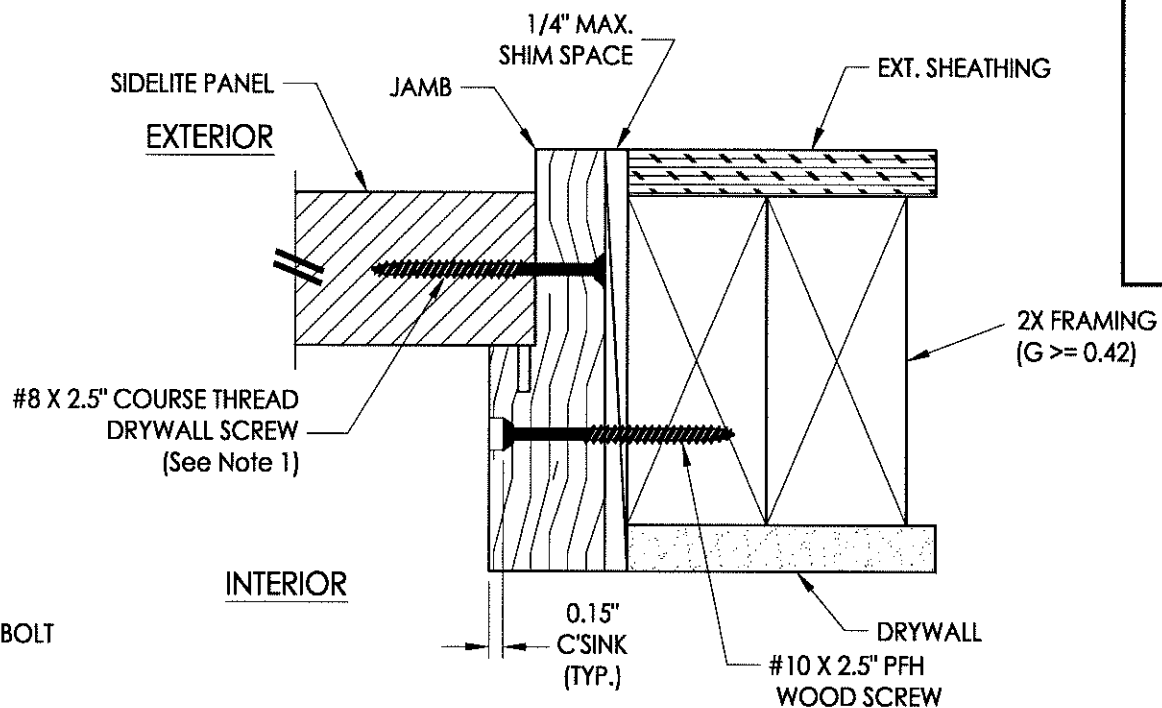
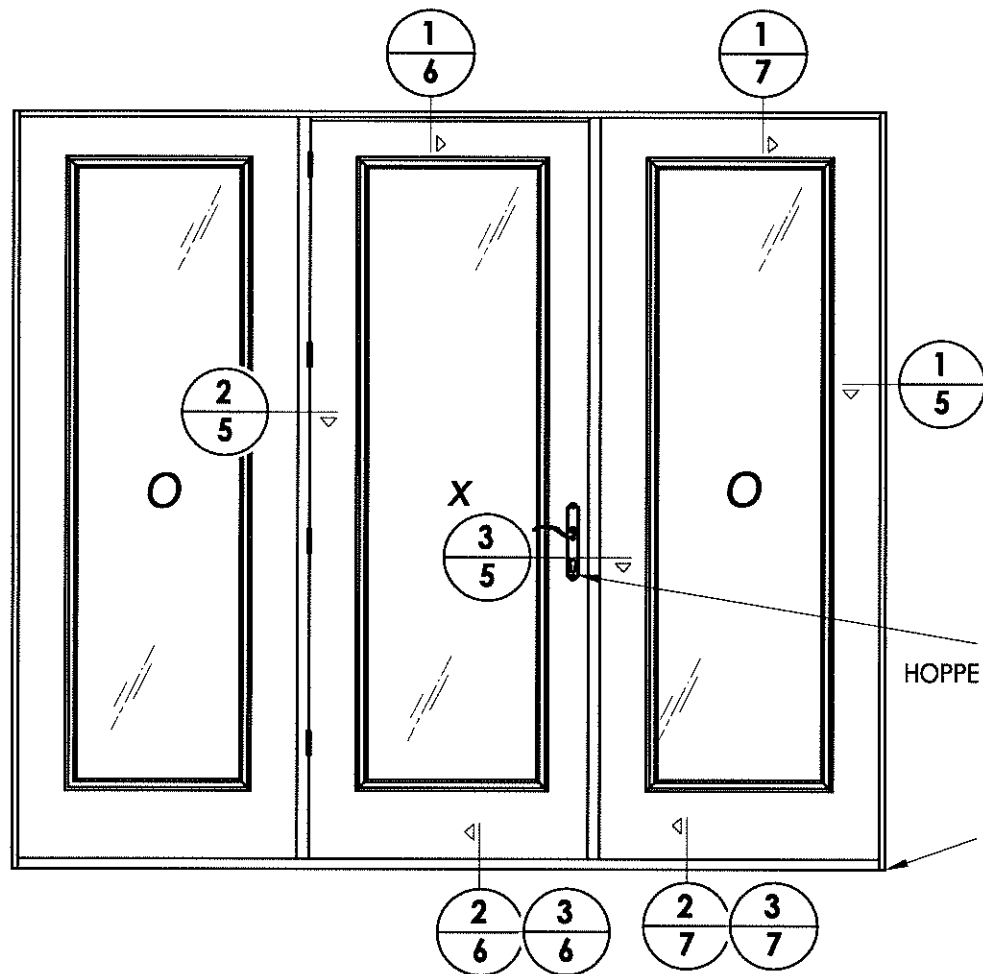


Documents Prepared By: Lyndon F. Schmidt, P.E.
TEXAS P.E. #104123
RW BUILDING CONSULTANTS, INC.
P.O. Box 230 Vairico FL 33595
Phone No.: 813.659.9197
TEXAS BOARD OF PROFESSIONAL ENGINEERS
CERTIFICATE OF REGISTRATION # F-11852

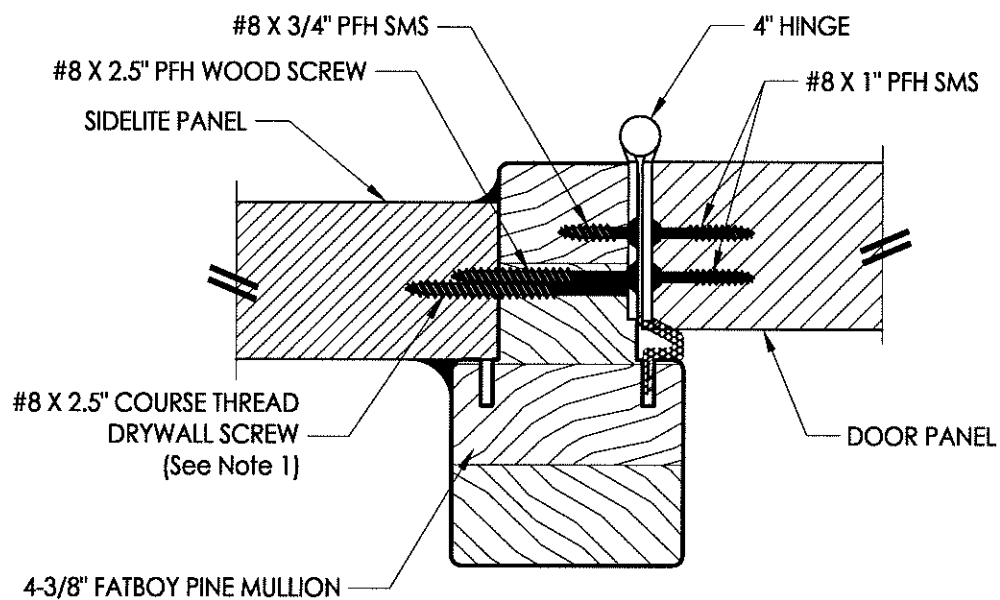
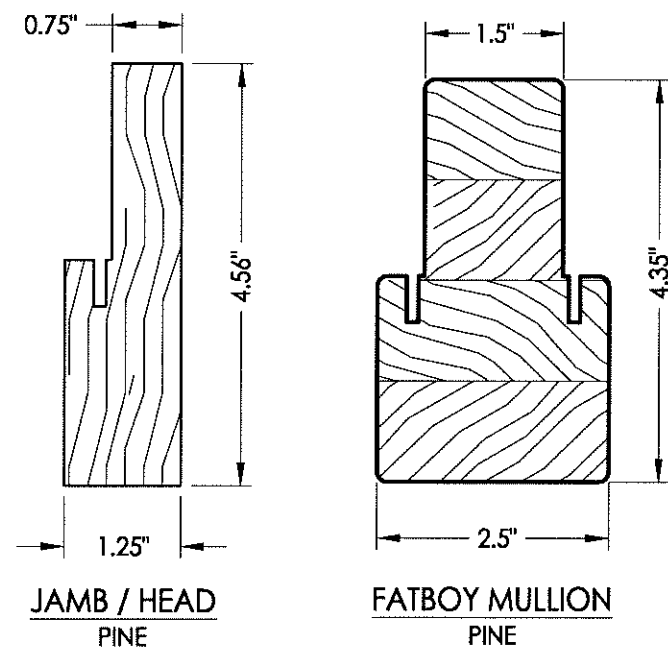
PRODUCT: ENDURA
PART OR ASSEMBLY: DOOR/SIDELITE PANEL DETAILS (SMOOTH STAR - FLUSH GLAZED)

NO.	DATE	BY	REVISIONS

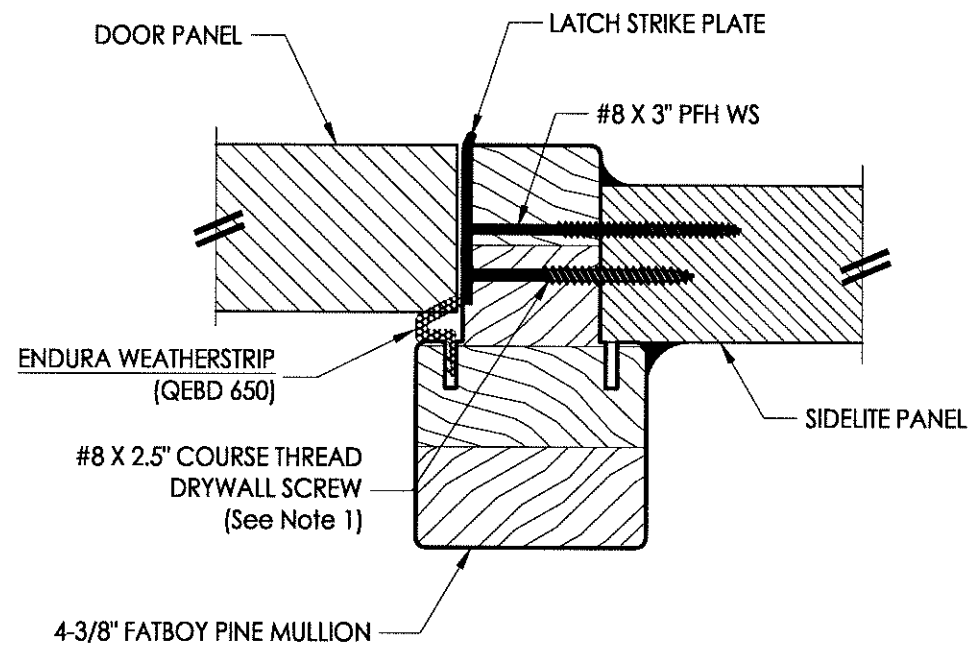
DATE: 9/06/12
SCALE: N.T.S.
DWG. BY: JK
CHK. BY: LFS
DRAWING NO.: TX-4219
SHEET 4 OF 8



1 HORIZONTAL CROSS SECTION
5 Outswing shown - Inswing also approved

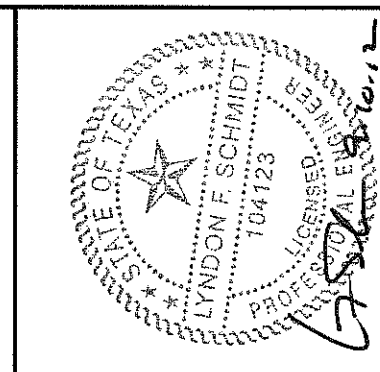


2 HORIZONTAL CROSS SECTION
5 Outswing shown - Inswing also approved



3 HORIZONTAL CROSS SECTION
5 Outswing shown - Inswing also approved

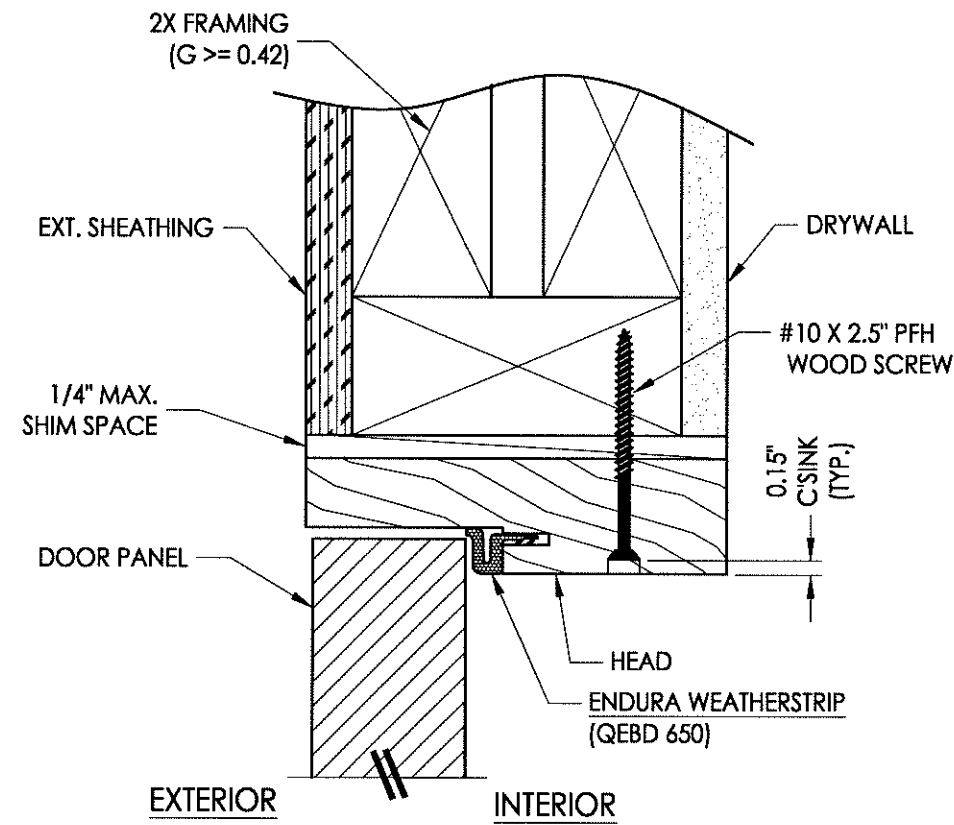
NOTE:
1. Spacing for sidelite screws: 6.5", 35.5", 57.25" and 85" from head to sill (4 total).



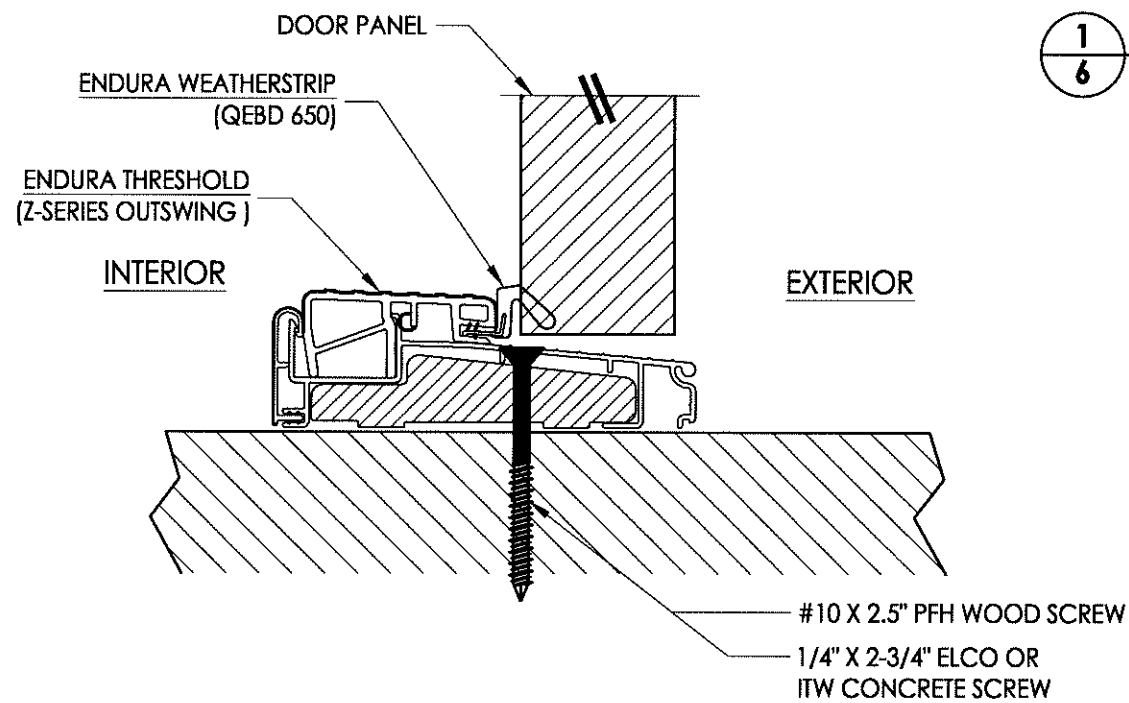
Documents Prepared By: Lyndon F. Schmidt, P.E.
TEXAS P.E. #104123

RW BUILDING CONSULTANTS, INC.
P.O. Box 230 Vairico FL 33595
Phone No.: 813.659.9197
TEXAS BOARD OF PROFESSIONAL ENGINEERS
CERTIFICATE OF REGISTRATION # F-11852

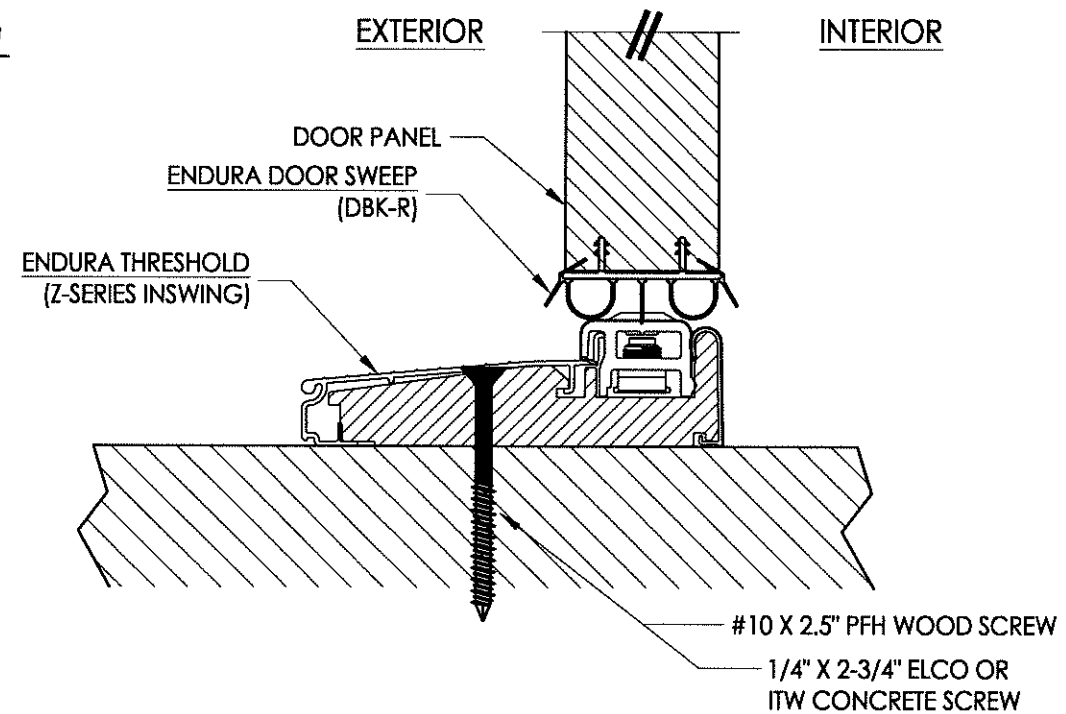
PRODUCT:	ENDURA
PART OR ASSEMBLY:	Steel DOOR
HORIZONTAL CROSS SECTIONS	
NO.	DATE
BY	REVISIONS
DATE:	9/06/12
SCALE:	N.T.S.
DWG. BY:	JK
CHK. BY:	LFS
DRAWING NO.:	TX-4219
SHEET	5 OF 8



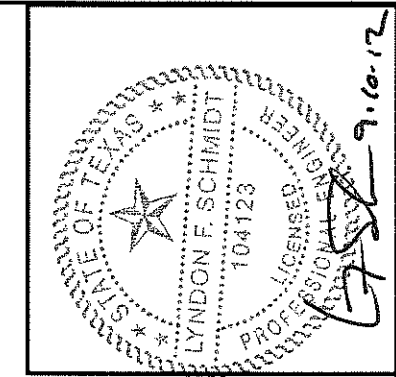
1 VERTICAL CROSS SECTION
6 Outswing shown - inswing also approved



2 VERTICAL CROSS SECTION
6 Outswing configuration



3 VERTICAL CROSS SECTION
6 Inswing configuration



Documents Prepared By: Lyndon F. Schmidt, P.E.
 TEXAS P.E. #104123

RW BUILDING CONSULTANTS, INC.
 P.O. Box 230 Valrico FL 33595
 Phone No.: 813.659.9197

TEXAS BOARD OF PROFESSIONAL ENGINEERS
 CERTIFICATE OF REGISTRATION # F-11852

PRODUCT:	ENDURA
PART OR ASSEMBLY:	VERTICAL CROSS SECTIONS

NO.	DATE	BY	REVISIONS

DATE:	9/06/12
SCALE:	N.T.S.
DWG. BY:	JK
CHK. BY:	LFS
DRAWING NO.:	TX-4219
SHEET	6 OF 8

