

THERMA TRU®

118 INDUSTRIAL DR., EDGERTON, OH 43517

CLASSIC-CRAFT & CLASSIC-CRAFT RUSTIC

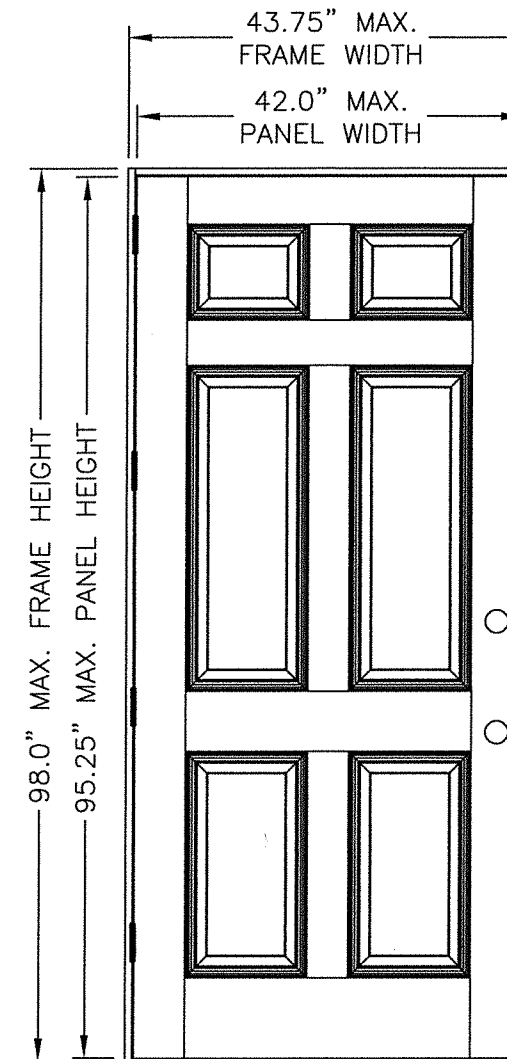
SINGLE "IMPACT" DOOR IN SWING / OUT SWING

EVALUATED FOR USE IN THE STATE OF TEXAS

The Fiberglass Door system described herein complies with the 2018 International Residential Code (IRC), Sections R301 & R609 and the 2018 International Building Code (IBC), Sections 1404.13, 1609, 1709.5, 2403 and 2404 subject to the following conditions:

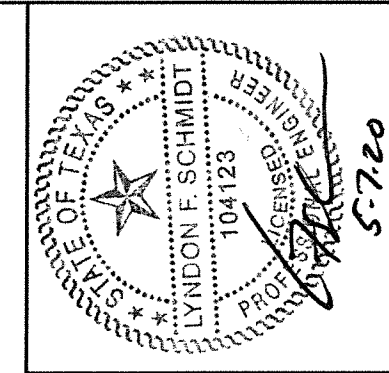
1. Anchors shall be as listed and spaced as shown in the details. Anchor embedment to base material shall be beyond wall dressing or stucco.
2. When used in areas requiring wind-borne debris protection, the opaque door does not require impact protection and meets missile level "D" as defined in ASTM E 1996.
3. Allowable design pressure requirements must be equal to or less than the design pressure rating shown in the design pressure chart, sheet 1 of this drawing.
4. Conditions not covered by this drawing are subject to further engineering analysis.

TABLE OF CONTENTS	
SHEET #	DESCRIPTION
1	TYPICAL ELEVATION, DESIGN PRESSURES & GENERAL NOTES
2	DOOR PANEL DETAILS (CLASSIC-CRAFT)
3	DOOR PANEL DETAILS (CLASSIC-CRAFT RUSTIC)
4	HORIZONTAL CROSS SECTIONS
5	VERTICAL CROSS SECTIONS
6	FRAME ANCHORING
7	BILL OF MATERIALS & COMPONENTS



"CLASSIC-CRAFT" & "CLASSIC-CRAFT RUSTIC"

DOOR TYPE	SWING	OVERALL FRAME DIMENSION	DESIGN PRESSURE	
			POSITIVE	NEGATIVE
CLASSIC-CRAFT	OUTSWING	43.75" X 96.5"	+65.0	-65.0
	IN SWING	43.75" X 98.0"	+65.0	-65.0
CLASSIC-CRAFT RUSTIC	OUTSWING	43.75" X 96.5"	+65.0	-65.0
	IN SWING	43.75" X 98.0"	+65.0	-65.0



Documents Prepared By: Lyndon F. Schmidt, P.E.
TEXAS P.E. #104123

RW BUILDING CONSULTANTS, INC.
P.O. Box 230 Valrico FL 33595
Phone No.: 813.659.9197

TEXAS BOARD OF PROFESSIONAL ENGINEERS
CERTIFICATE OF REGISTRATION # F-11852

PRODUCT: SINGLE OPAQUE FIBERGLASS DOOR
"IMPACT" IN SWING / OUT SWING
PART OR ASSEMBLY:

TYPICAL ELEVATION, DESIGN PRESSURES & GENERAL NOTES

NO.	DATE	DESCRIPTION
1	5/07/20	UPDATE TO 2018 IBC/IRC CODE

REVISIONS

DATE: 7/16/12

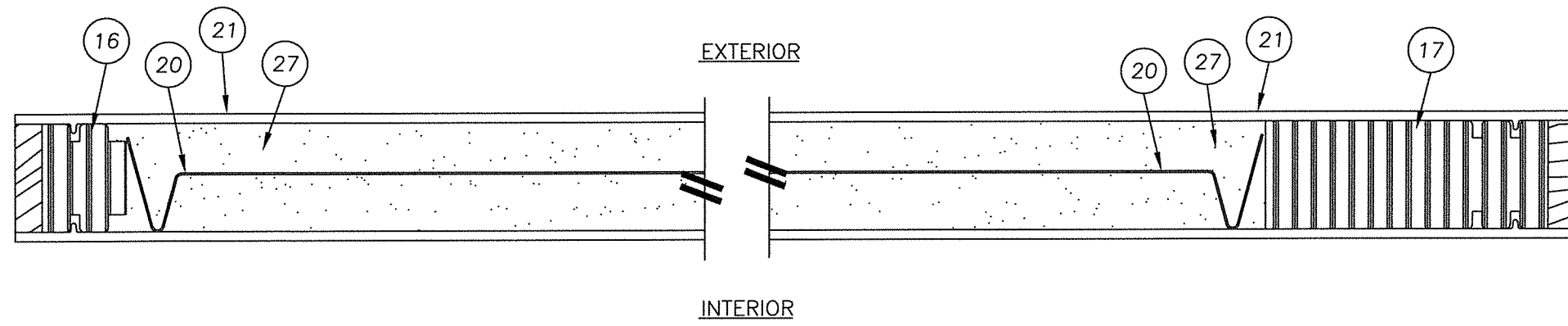
SCALE: N.T.S.

DWG. BY: JK

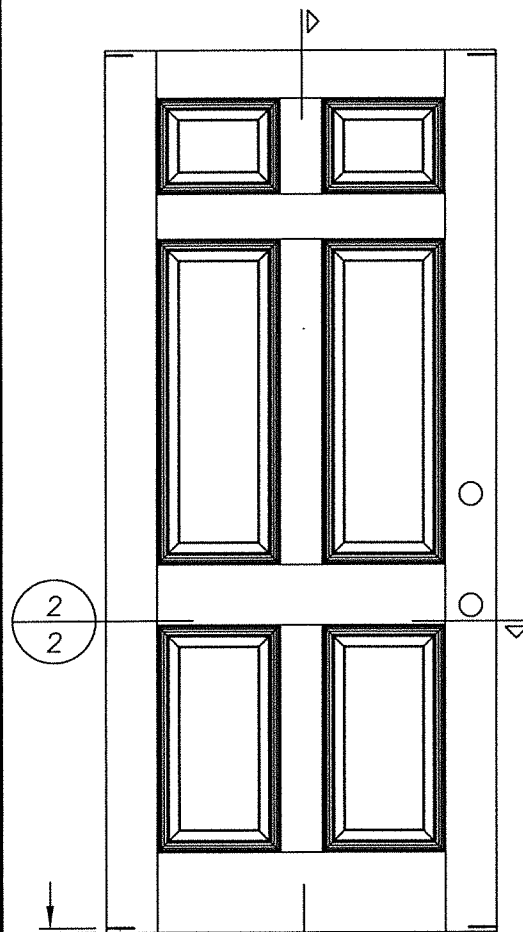
CHK. BY: LFS

DRAWING NO.: TX-4179

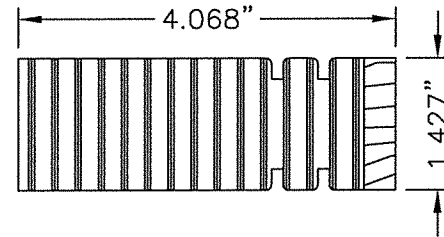
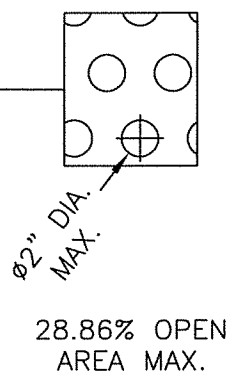
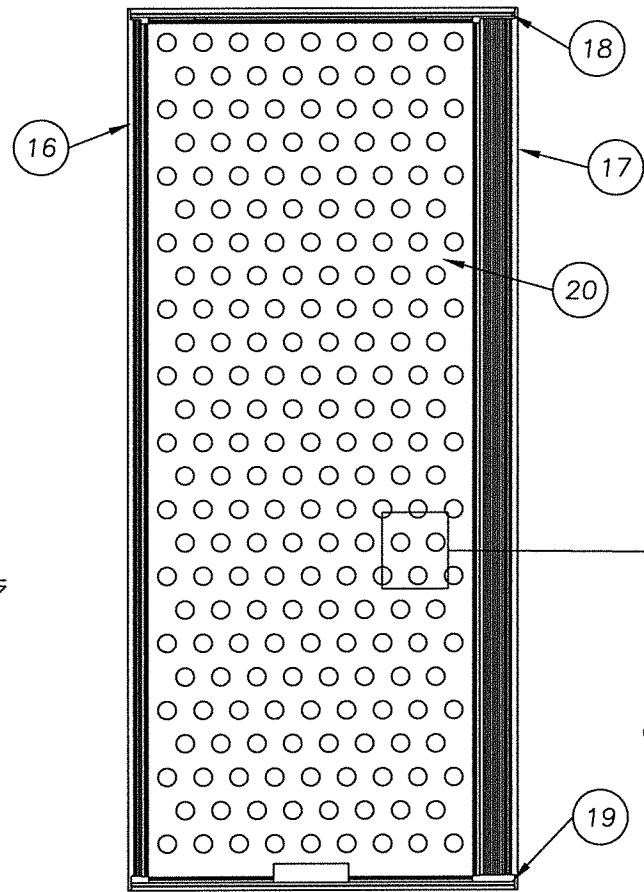
SHEET 1 OF 7



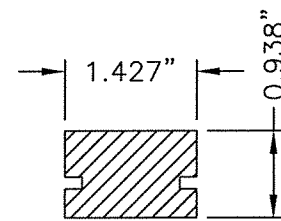
2 HORIZONTAL CROSS SECTION
2 CLASSIC-CRAFT



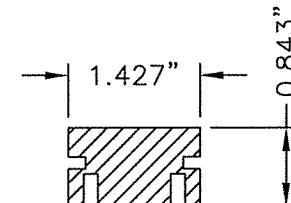
32 TYP. 4 CORNERS OF PANEL



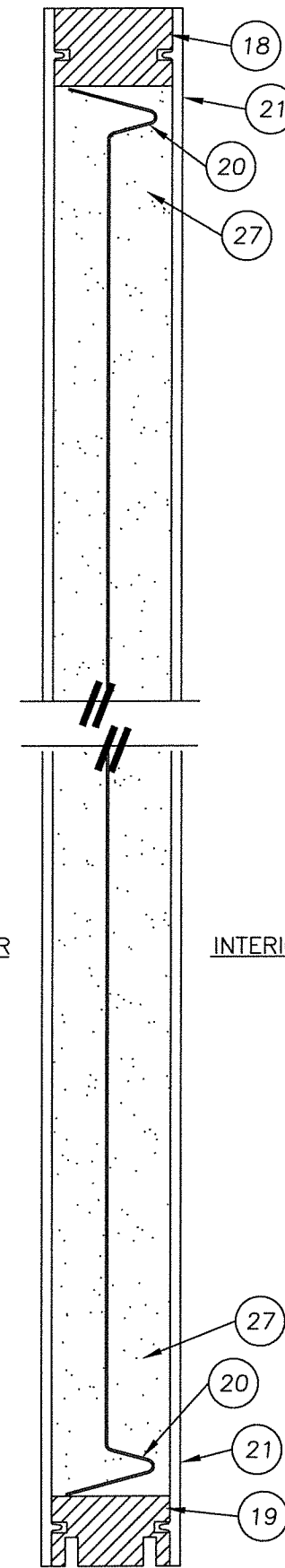
17 LOCK STILE
CLASSIC-CRAFT



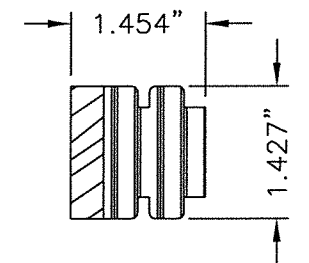
18 TOP RAIL
CLASSIC-CRAFT



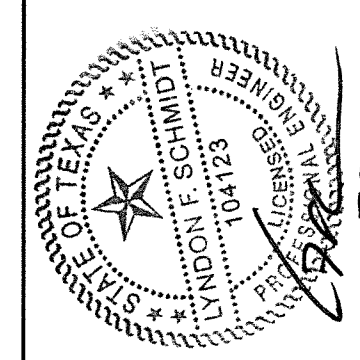
19 BOTTOM RAIL
CLASSIC-CRAFT



1 VERTICAL CROSS SECTION
2 CLASSIC-CRAFT



16 HINGE STILE
CLASSIC-CRAFT



Documents Prepared By: Lyndon F. Schmidt, P.E.
TEXAS P.E. #104123

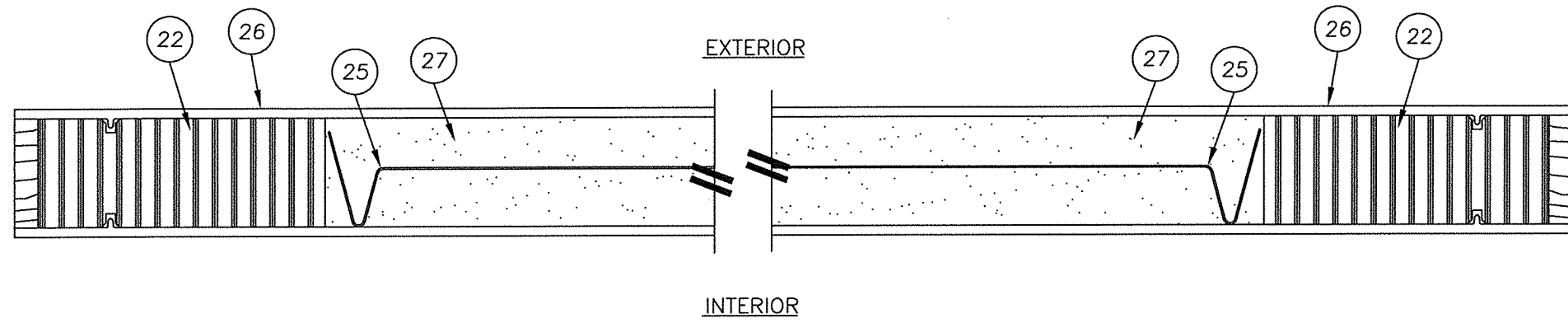
R.W. BUILDING CONSULTANTS, INC.
P.O. Box 230 Vairico FL 33595
Phone No.: 813.659.9197

TEXAS BOARD OF PROFESSIONAL ENGINEERS
CERTIFICATE OF REGISTRATION # F-11852

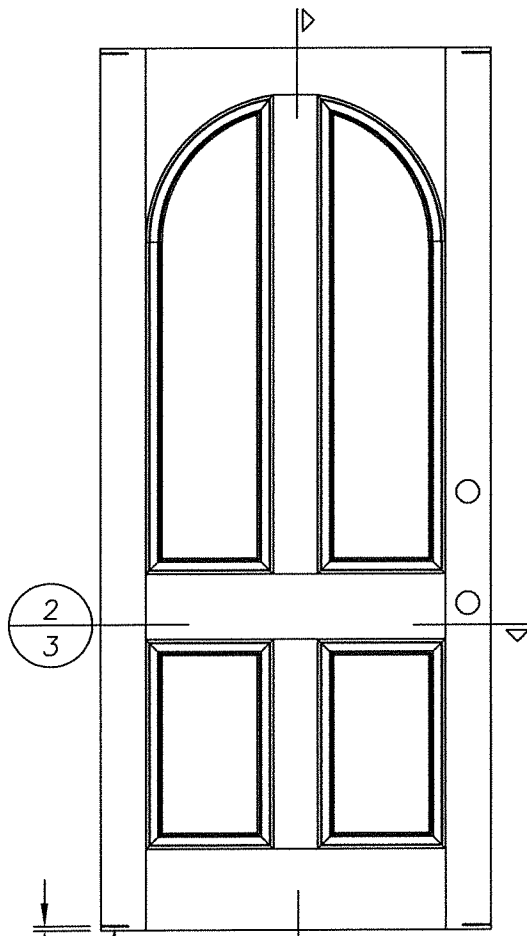
PRODUCT: SINGLE OPAQUE DOOR
FIBERGLASS DOOR
"IMPACT" INSWING / OUTSWING
PART OR ASSEMBLY:
DOOR PANEL DETAILS
(CLASSIC-CRAFT)

REVISIONS	
NO.	DATE
1	5/07/20
	DATE
	BY
	LFS
	UPDATE TO 2018 IBC/IRC CODE

DATE: 7/16/12
SCALE: N.T.S.
DWG. BY: JK
CHK. BY: LFS
DRAWING NO.: TX-4179
SHEET 2 OF 7

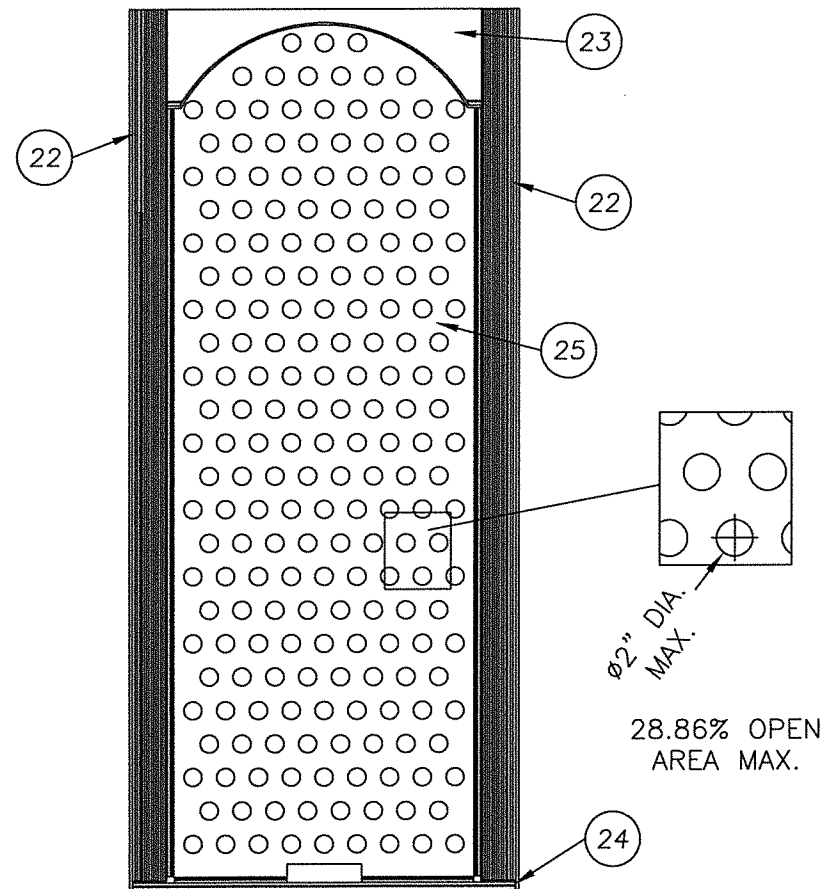


2 HORIZONTAL CROSS SECTION
3 CLASSIC-CRAFT RUSTIC

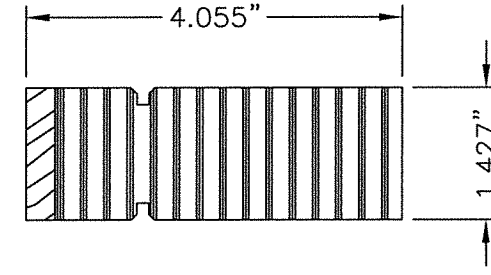


1 CLASSIC-CRAFT RUSTIC

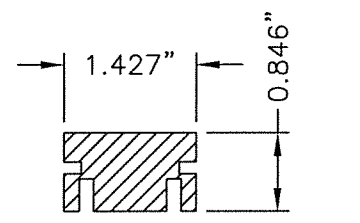
32 TYP. 4 CORNERS OF PANEL



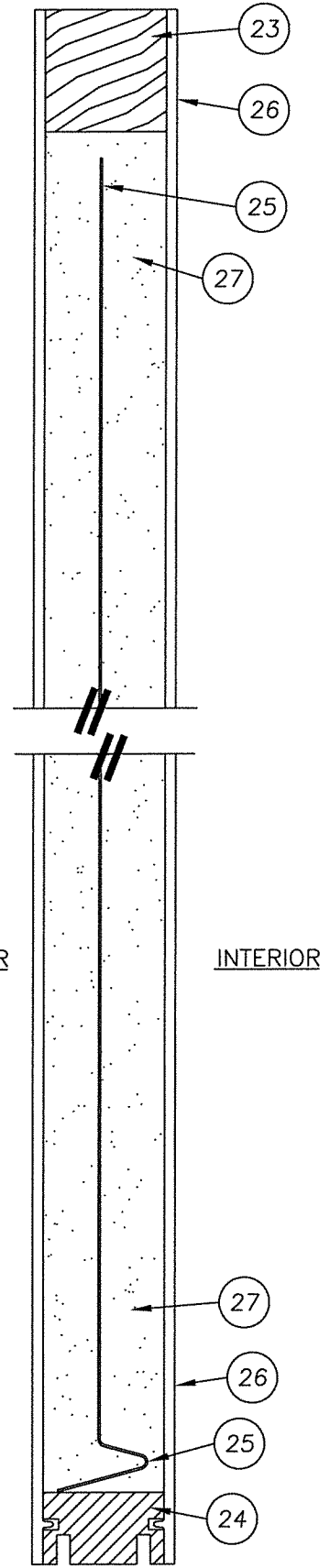
28.86% OPEN AREA MAX.



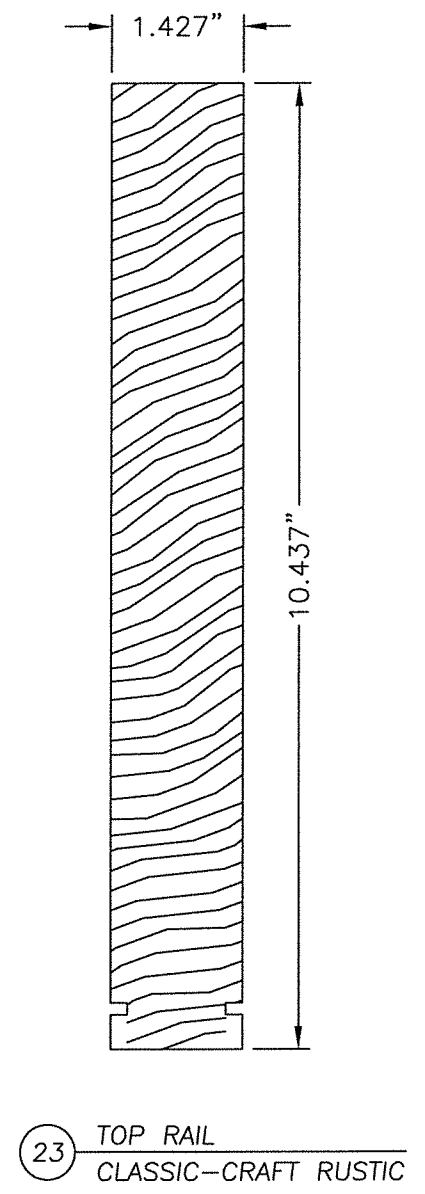
22 LOCK & HINGE STILE
CLASSIC-CRAFT RUSTIC



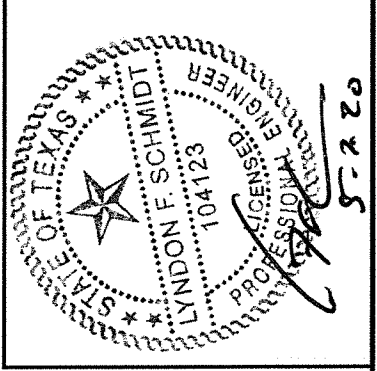
24 BOTTOM RAIL
CLASSIC-CRAFT RUSTIC



1 VERTICAL CROSS SECTION
3 CLASSIC-CRAFT RUSTIC



23 TOP RAIL
CLASSIC-CRAFT RUSTIC



Documents Prepared By: Lyndon F. Schmidt, P.E.
TEXAS P.E. #104123

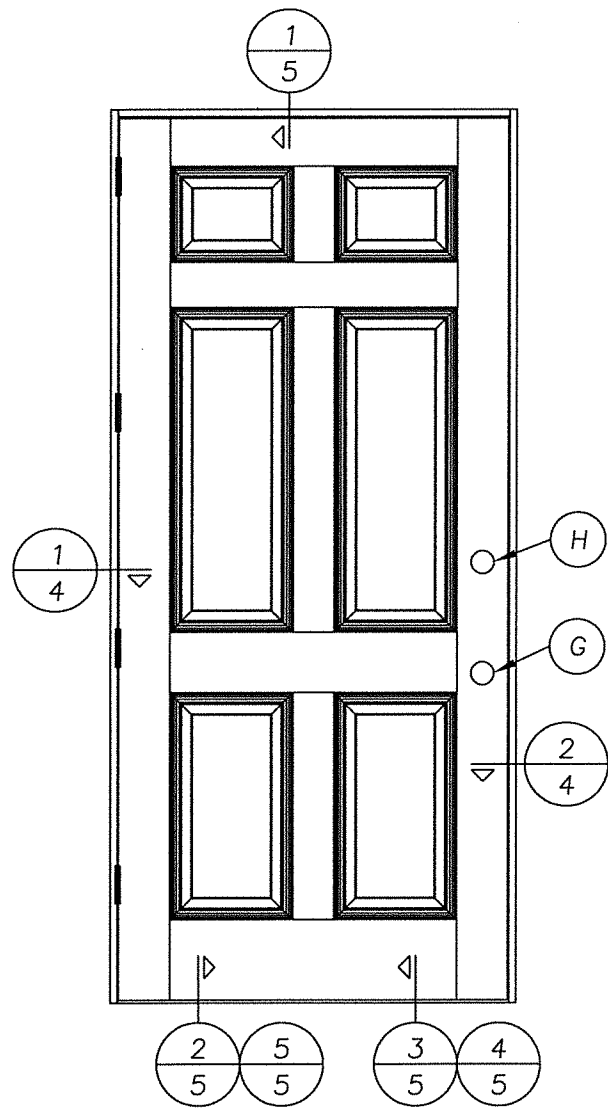
RW BUILDING CONSULTANTS, INC.
P.O. Box 230 Valrico FL 33595
Phone No.: 813.659.9197

TEXAS BOARD OF PROFESSIONAL ENGINEERS
CERTIFICATE OF REGISTRATION # F-11852

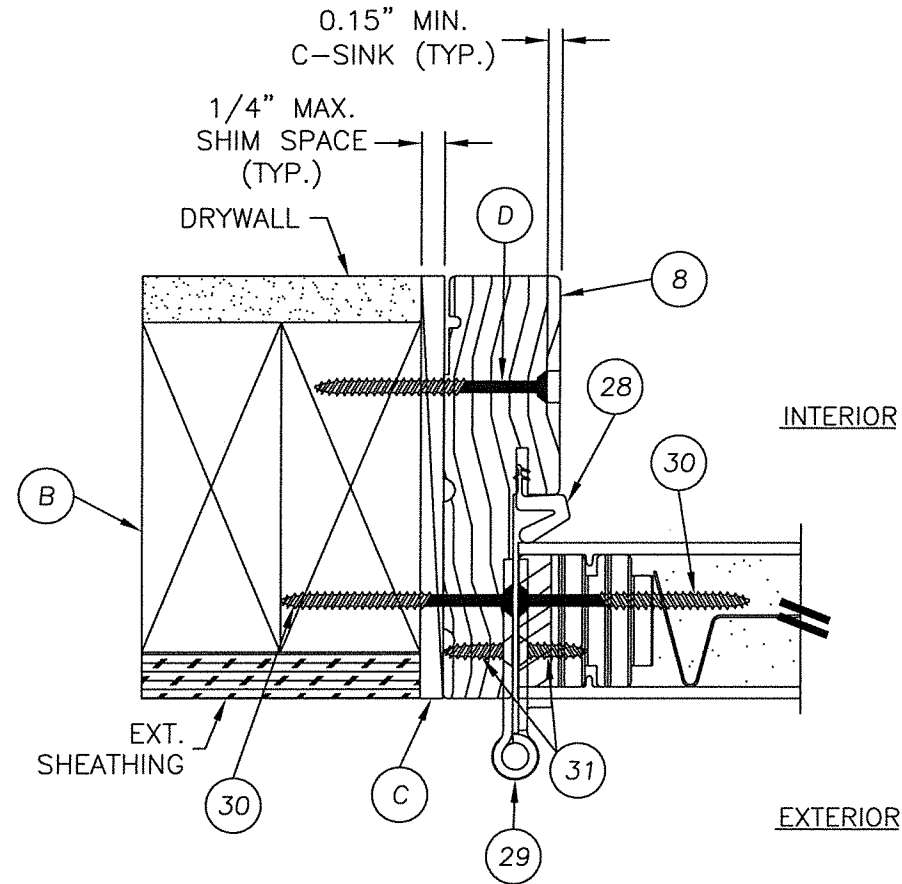
PRODUCT: SINGLE OPAQUE
FIBERGLASS DOOR
"IMPACT" INSWING / OUTSWING
PART OR ASSEMBLY:
DOOR PANEL DETAILS
(CLASSIC-CRAFT RUSTIC)

REVISIONS	
NO.	DATE
1	5/07/20
	UPDATE TO 2018 IBC/IRC CODE
	LFS BY

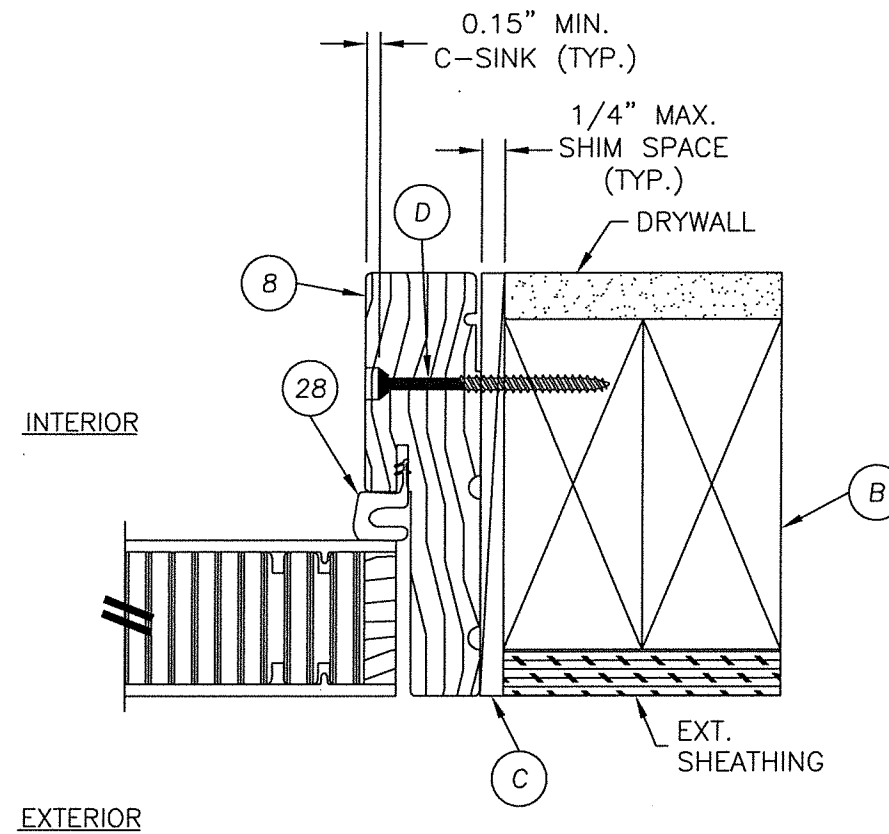
DATE: 7/16/12
SCALE: N.T.S.
DWG. BY: JK
CHK. BY: LFS
DRAWING NO.: TX-4179
SHEET 3 OF 7



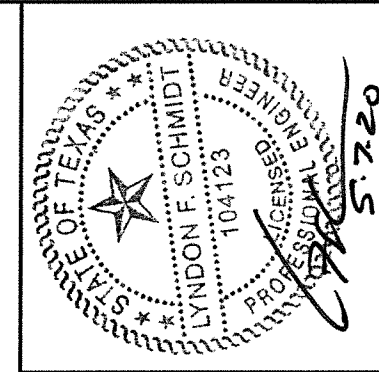
1 HORIZONTAL CROSS SECTION
 4 OUTSWING SHOWN (INSWING ALSO APPROVED)
 CLASSIC-CRAFT PANEL SHOWN
 SEE DOOR PANEL DETAILS FOR
 OPTIONAL PANEL TYPES



1 HORIZONTAL CROSS SECTION
 4 OUTSWING SHOWN (INSWING ALSO APPROVED)
 CLASSIC-CRAFT PANEL SHOWN
 SEE DOOR PANEL DETAILS FOR
 OPTIONAL PANEL TYPES



2 HORIZONTAL CROSS SECTION
 4 OUTSWING SHOWN (INSWING ALSO APPROVED)
 CLASSIC-CRAFT PANEL SHOWN
 SEE DOOR PANEL DETAILS FOR
 OPTIONAL PANEL TYPES



Documents Prepared By: Lyndon F. Schmidt, P.E.
 TEXAS P.E. #104123

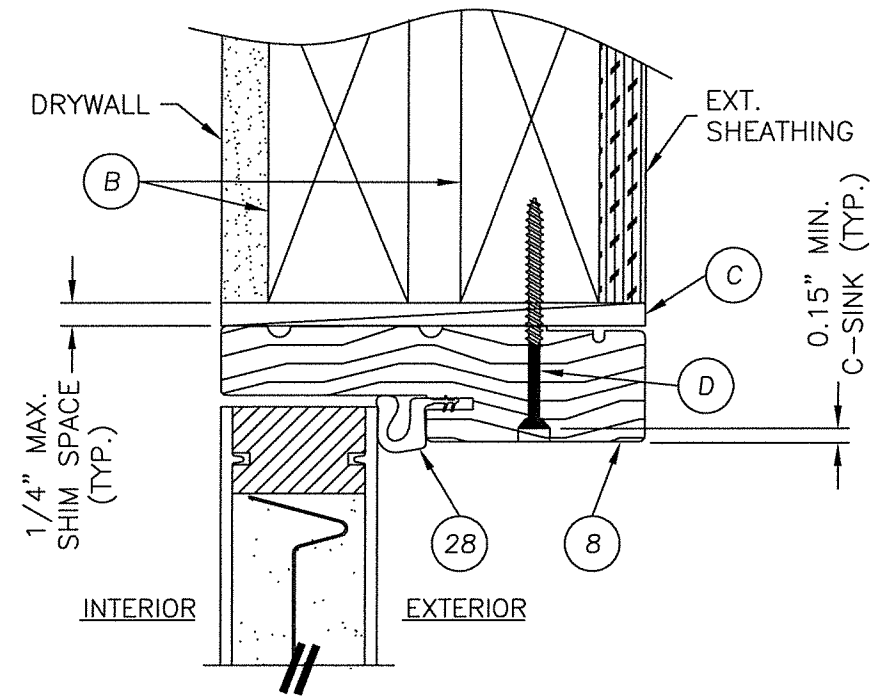
RW BUILDING CONSULTANTS, INC.
 P.O. Box 230 Valrico FL 33595
 Phone No.: 813.659.9197
 TEXAS BOARD OF PROFESSIONAL ENGINEERS
 CERTIFICATE OF REGISTRATION # F-11852

PRODUCT: SINGLE OPAQUE
 FIBERGLASS DOOR
 "IMPACT" INSWING / OUTSWING
 PART OR ASSEMBLY:
 HORIZONTAL CROSS SECTIONS

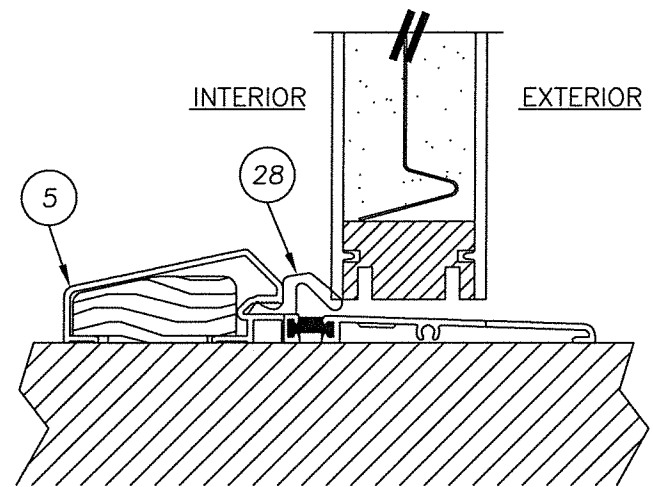
NO.	DATE	DESCRIPTION	BY
1	5/07/20	UPDATE TO 2018 IBC/IRC CODE	LFS

DATE: 7/16/12
 SCALE: N.T.S.
 DWG. BY: JK
 CHK. BY: LFS
 DRAWING NO.: TX-4179
 SHEET 4 OF 7

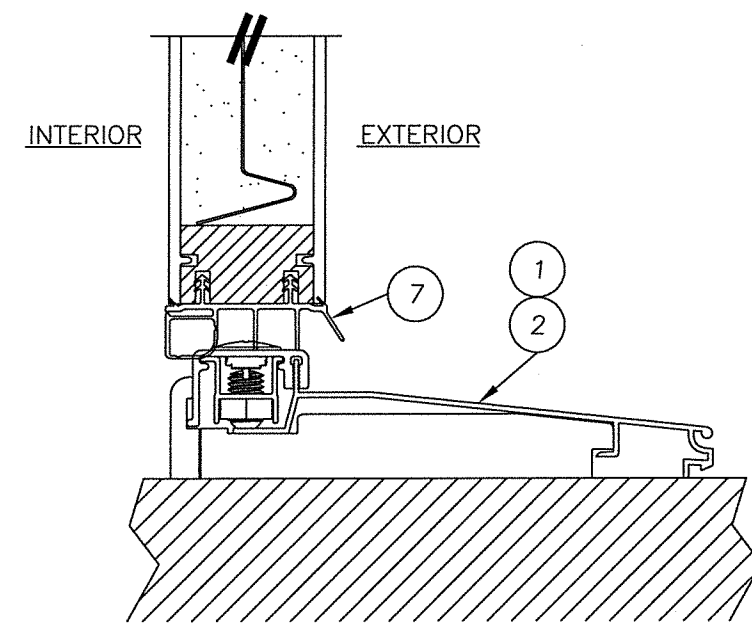
R:\Clients\Therma Tru PERMANENT\B - Texas Dept of Ins\TDI - DR 601 - 80 Opaque FG Imp IS - OS Sgls Dbls w-wo Imp SLV - Drawings\Current\TX-4175-83.dwg, FX5



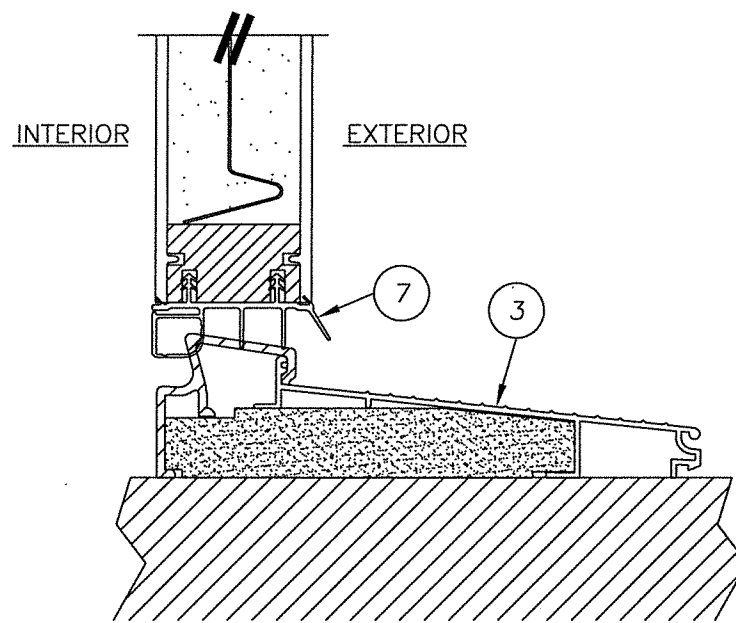
1 VERTICAL CROSS SECTION
 5 INSWING SHOWN (OUTSWING ALSO APPROVED)
 CLASSIC-CRAFT PANEL SHOWN
 SEE DOOR PANEL DETAILS FOR
 OPTIONAL PANEL TYPES



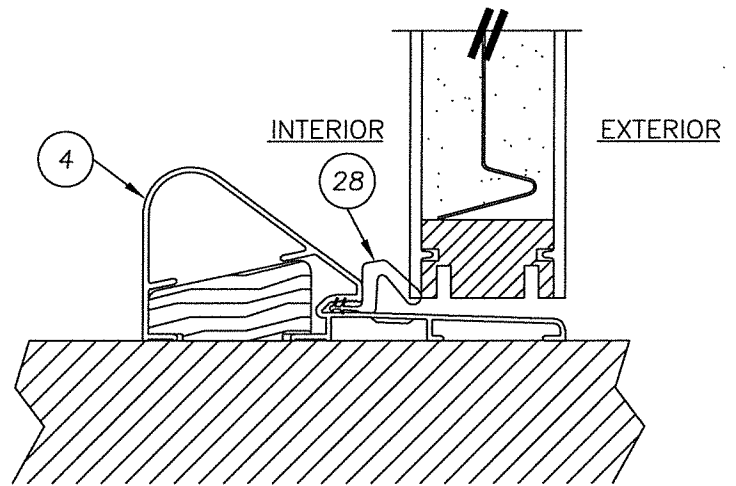
2 VERTICAL CROSS SECTION
 5 @ THRESHOLD
 CLASSIC-CRAFT PANEL SHOWN
 SEE DOOR PANEL DETAILS FOR
 OPTIONAL PANEL TYPES



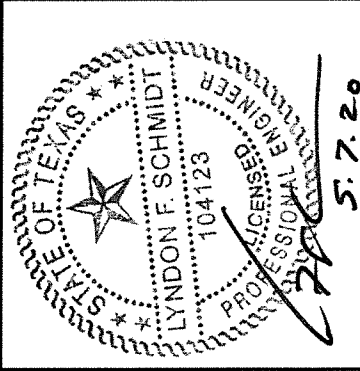
3 VERTICAL CROSS SECTION
 5 @ THRESHOLD
 CLASSIC-CRAFT PANEL SHOWN
 SEE DOOR PANEL DETAILS FOR
 OPTIONAL PANEL TYPES



4 VERTICAL CROSS SECTION
 5 @ THRESHOLD
 CLASSIC-CRAFT PANEL SHOWN
 SEE DOOR PANEL DETAILS FOR
 OPTIONAL PANEL TYPES



5 VERTICAL CROSS SECTION
 5 @ THRESHOLD
 CLASSIC-CRAFT PANEL SHOWN
 SEE DOOR PANEL DETAILS FOR
 OPTIONAL PANEL TYPES



Documents Prepared By: Lyndon F. Schmidt, P.E.
 TEXAS P.E. #104123

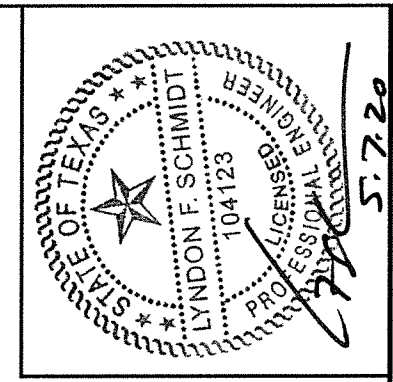
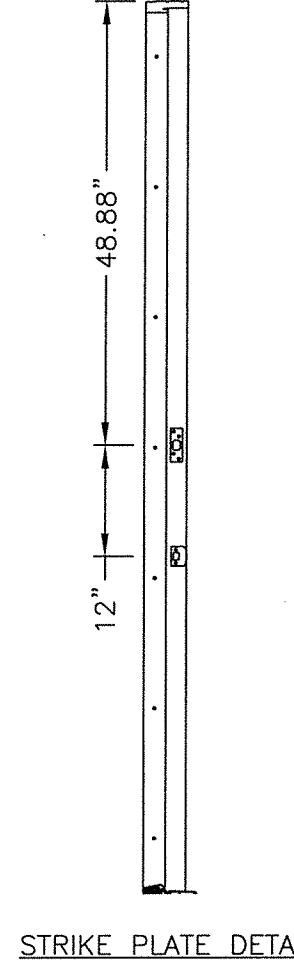
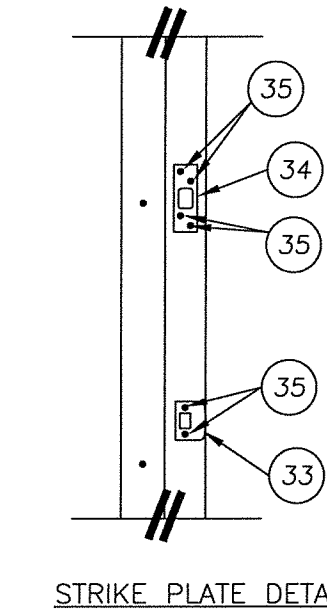
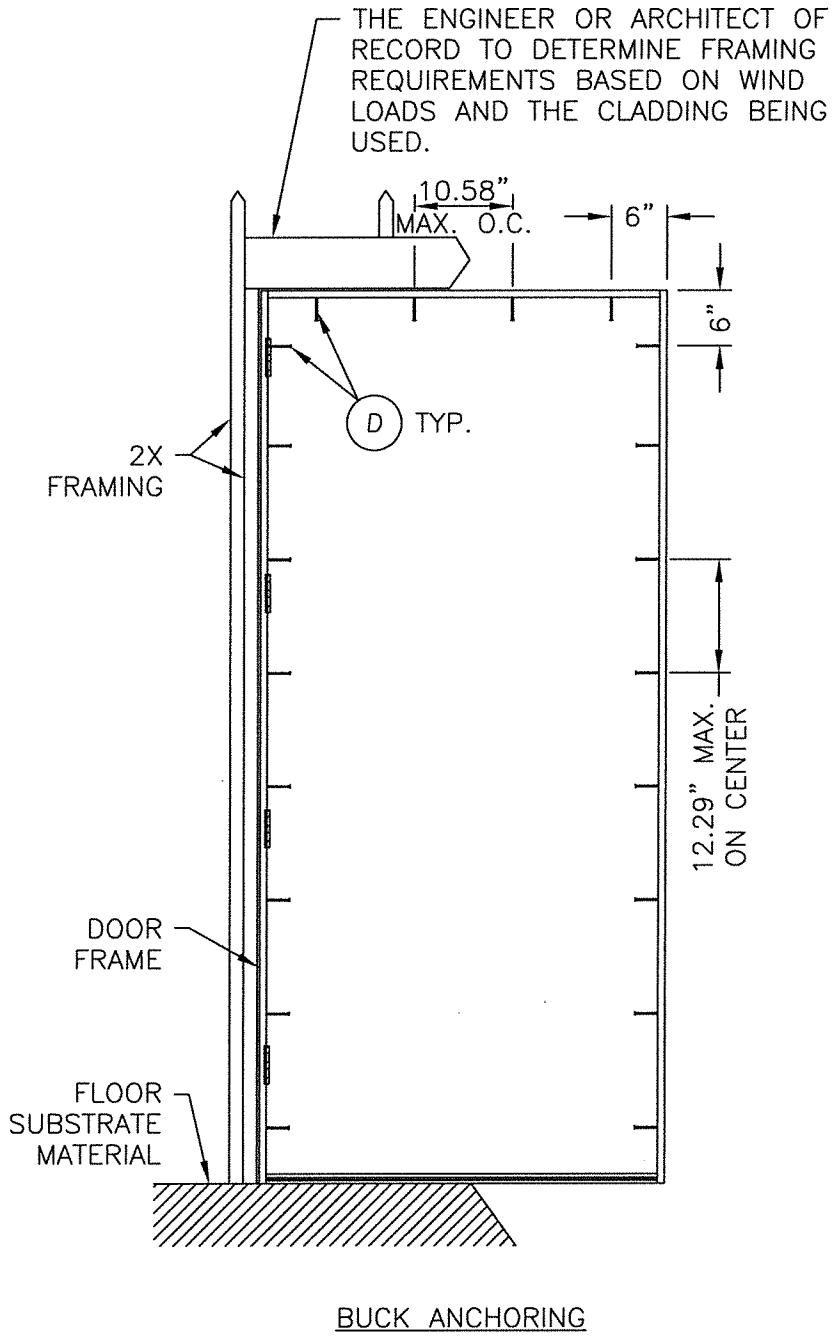
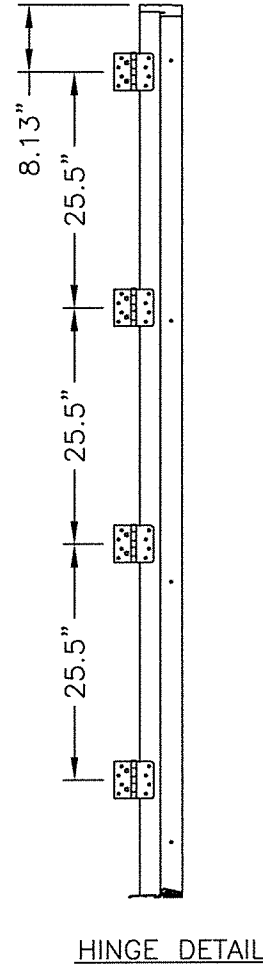
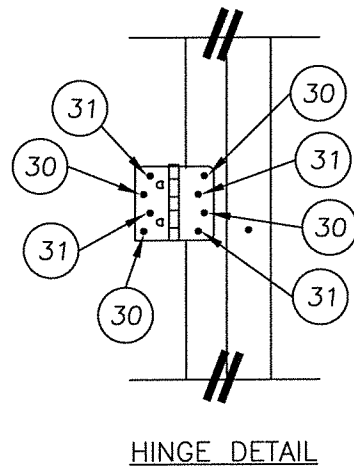
RW BUILDING CONSULTANTS, INC.
 P.O. Box 230 Valrico FL, 33595
 Phone No.: 813.659.9197

TEXAS BOARD OF PROFESSIONAL ENGINEERS
 CERTIFICATE OF REGISTRATION # F-11852

PRODUCT: SINGLE OPAQUE
 FIBERGLASS DOOR
 "IMPACT" INSWING / OUTSWING
 PART OR ASSEMBLY:
 VERTICAL CROSS SECTIONS

NO.	DATE	DESCRIPTION	LFS	BY
1	5/07/20	UPDATE TO 2018 IBC/IRC CODE		
REVISIONS				

DATE: 7/16/12
 SCALE: N.T.S.
 DWG. BY: JK
 CHK. BY: LFS
 DRAWING NO.: TX-4179
 SHEET 5 OF 7



Documents Prepared By: Lyndon F. Schmidt, P.E.
TEXAS P.E. #104123

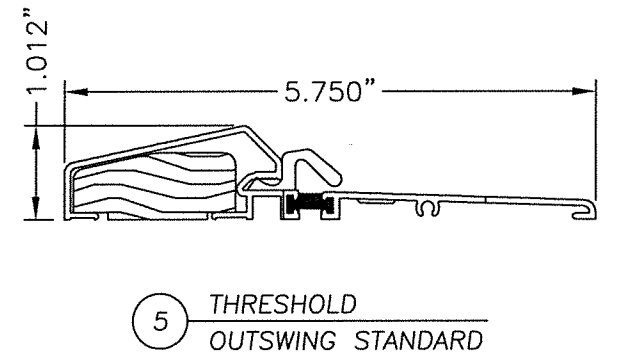
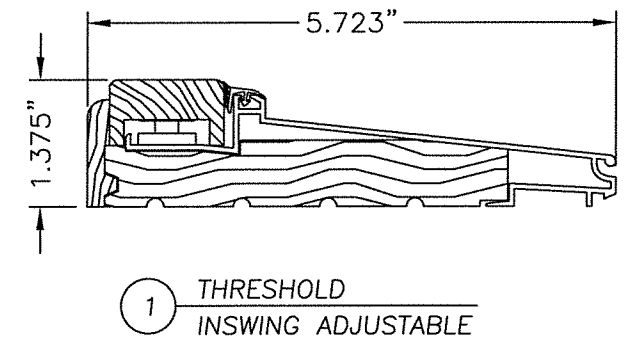
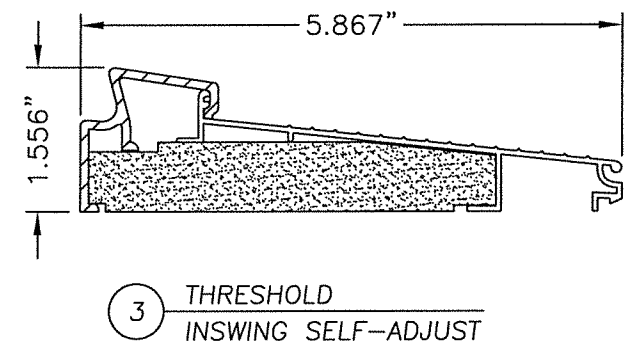
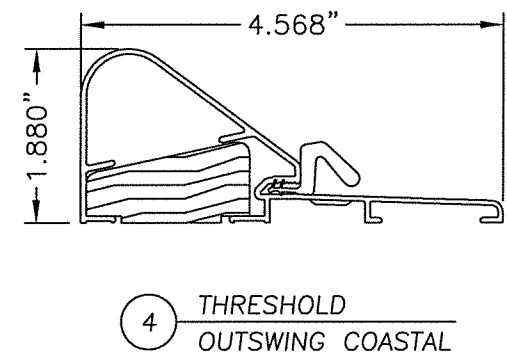
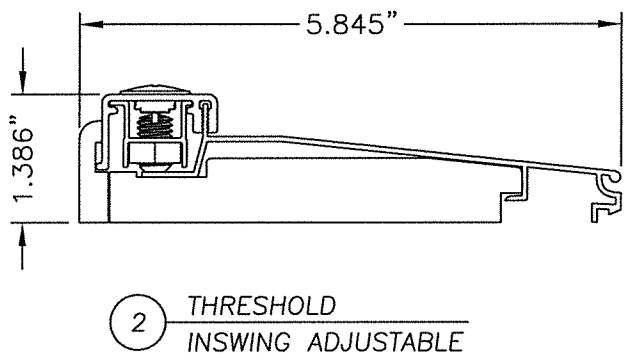
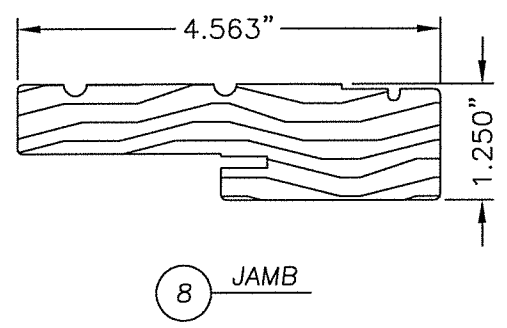
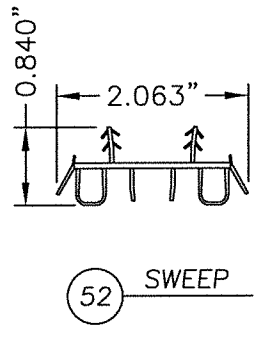
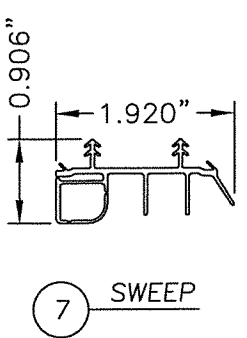
RW BUILDING CONSULTANTS, INC.
P.O. Box 230 Vairico FL 33595
Phone No.: 813.659.9197

TEXAS BOARD OF PROFESSIONAL ENGINEERS
CERTIFICATE OF REGISTRATION # F-11852

NO.	DATE	REVISIONS
1	5/07/20	UPDATE TO 2018 IBC/IRC CODE
		LFS
		BY

DATE: 7/16/12
SCALE: N.T.S.
DWG. BY: JK
CHK. BY: LFS
DRAWING NO.: TX-4179
SHEET 6 OF 7

BILL OF MATERIALS		
ITEM	DESCRIPTION	MATERIAL
B	2X FRAMING (G >= 0.42)	WOOD
C	1/4" MAX. SHIM SPACE	WOOD
D	#10 X 2-1/2" PFH WOOD SCREW	STEEL
G	KWIKSET 200 SERIES PASSAGE LOCK	STEEL
H	KWIKSET 600 SERIES DEADBOLT	STEEL
1	INSWING ADJUSTABLE THRESHOLD (IS300AJ)	ALUM./WOOD
2	INSWING THRESHOLD (IS300HP5)	ALUM./COMP.
3	INSWING SELF ADJUST THERMAL BREAK THRESHOLD (ISP30M)	ALUM./COMP.
4	OUTSWING COASTAL THRESHOLD	ALUM./WOOD
5	OUTSWING STANDARD THRESHOLD	ALUM./WOOD
7	DOOR BOTTOM SWEEP	VINYL
8	JAMB (OAK)	WOOD
16	HINGE STILE (CLASSIC-CRAFT)	WOOD/LVL
17	LOCK STILE (CLASSIC-CRAFT)	WOOD/LVL
18	TOP RAIL (CLASSIC-CRAFT)	PVC
19	BOTTOM RAIL (CLASSIC-CRAFT)	PVC
20	PANEL REINFORCEMENT 0.023" THK. (CLASSIC-CRAFT)	STEEL
21	DOOR SKIN 0.125" THK. (CLASSIC-CRAFT) Fy = 6,000 PSI MIN.	FIBERGLASS
22	LOCK & HINGE STILE (CLASSIC-CRAFT RUSTIC)	WOOD/LVL
23	TOP RAIL (CLASSIC-CRAFT RUSTIC)	WOOD
24	BOTTOM RAIL (CLASSIC-CRAFT RUSTIC)	PVC
25	PANEL REINFORCEMENT 0.023" THK. (CLASSIC-CRAFT RUSTIC)	STEEL
26	DOOR SKIN 0.125" THK. (CC RUSTIC) Fy = 6,000 PSI MIN.	FIBERGLASS
27	FOAM CORE	POLYURETHANE
28	WEATHERSTRIP	FOAM
29	HINGE	STEEL
30	#10 X 2-1/2" PFH SCREW	STEEL
31	#10 X 3/4" PFH SCREW	STEEL
32	#9 X 3" PFH WOOD SCREW	STEEL
33	LATCH STRIKE PLATE	STEEL
34	SECURITY STRIKE PLATE (SINGLE DOOR ONLY)	STEEL
35	#8 X 3" PFH SCREW	STEEL
52	DOOR BOTTOM SWEEP	VINYL



Documents Prepared By: Lyndon F. Schmidt, P.E.
TEXAS P.E. #104123

R.W. BUILDING CONSULTANTS, INC.
P.O. Box 230 Vairico FL 33595
Phone No.: 813.659.9197

TEXAS BOARD OF PROFESSIONAL ENGINEERS
CERTIFICATE OF REGISTRATION # F-11852

PRODUCT: SINGLE OPAQUE FIBERGLASS DOOR "IMPACT" INSWING / OUTSWING

PART OR ASSEMBLY: BILL OF MATERIALS & COMPONENTS

NO.	DATE	REVISIONS	BY
1	5/07/20	UPDATE TO 2018 IBC/IRC CODE	LFS

DATE: 7/16/12
SCALE: N.T.S.
DWG. BY: JK
CHK. BY: LFS
DRAWING NO.: TX-4179
SHEET 7 OF 7