

THERMATRU®

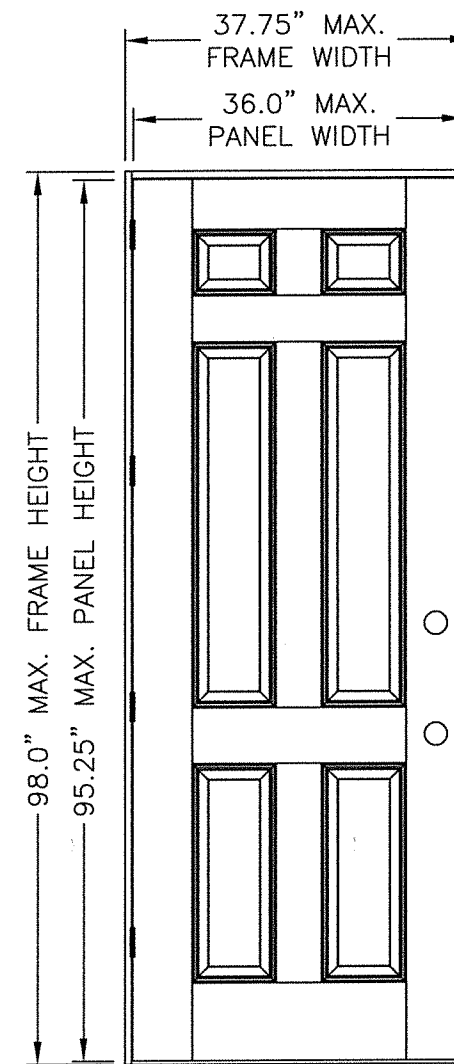
118 INDUSTRIAL DR., EDGERTON, OH 43517

SMOOTH-STAR & FIBER-CLASSIC SINGLE "IMPACT" DOOR IN SWING / OUT SWING

EVALUATED FOR USE IN THE STATE OF TEXAS

The Fiberglass Door system described herein complies with the 2018 International Residential Code (IRC), Sections R301 & R609 and the 2018 International Building Code (IBC), Sections 1404.13, 1609, 1709.5, 2403 and 2404 subject to the following conditions:

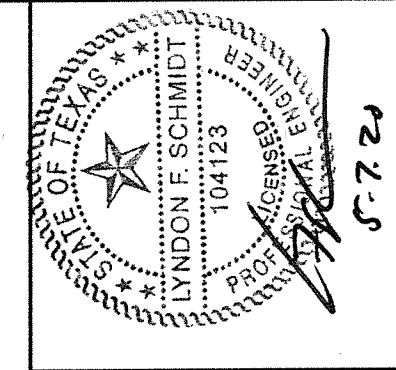
1. Anchors shall be as listed and spaced as shown in the details. Anchor embedment to base material shall be beyond wall dressing or stucco.
2. When used in areas requiring wind-borne debris protection, the opaque door does not require impact protection and meets missile level "D" as defined in ASTM E 1996.
3. Allowable design pressure requirements must be equal to or less than the design pressure rating shown in the design pressure chart, sheet 1 of this drawing.
4. Conditions not covered by this drawing are subject to further engineering analysis.
5. Fiber-Classic and Smooth-Star Door and Sidelite panels require the use of "J" part numbers. These door and sidelite panels must be stained or painted within six months of installation.



"SMOOTH-STAR" & "FIBER-CLASSIC"

DOOR TYPE	SWING	OVERALL FRAME DIMENSION	DESIGN PRESSURE	
			POSITIVE	NEGATIVE
SMOOTH-STAR	OUTSWING	37.75" X 96.5"	+65.0	-65.0
	IN SWING	37.75" X 98.0"	+65.0	-65.0
FIBER-CLASSIC	OUTSWING	37.75" X 96.5"	+65.0	-65.0
	IN SWING	37.75" X 98.0"	+65.0	-65.0

TABLE OF CONTENTS	
SHEET #	DESCRIPTION
1	TYPICAL ELEVATION, DESIGN PRESSURES & GENERAL NOTES
2	DOOR PANEL DETAILS (SMOOTH-STAR)
3	DOOR PANEL DETAILS (FIBER-CLASSIC)
4	HORIZONTAL CROSS SECTIONS
5	VERTICAL CROSS SECTIONS
6	FRAME ANCHORING
7	BILL OF MATERIALS & COMPONENTS



Documents Prepared By: Lyndon F. Schmidt, P.E.
TEXAS P.E. #104123

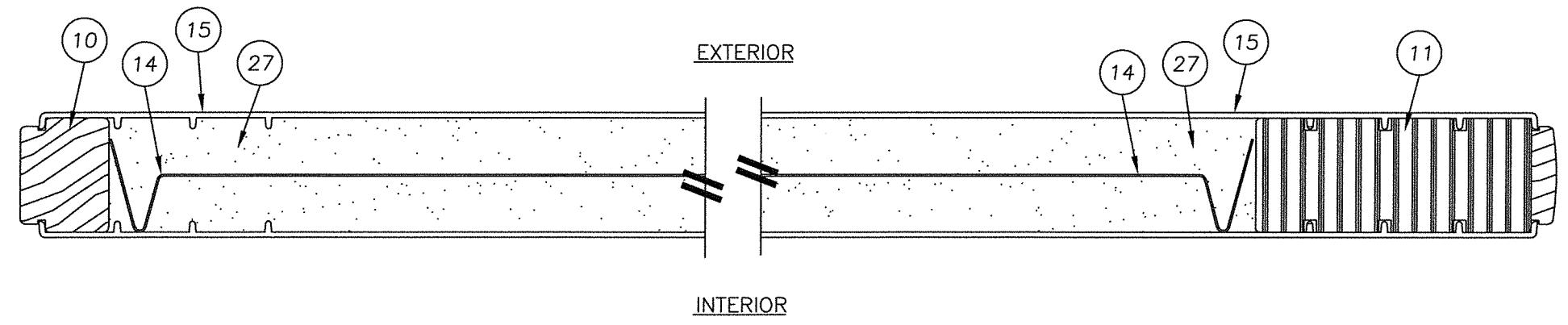
RW BUILDING CONSULTANTS, INC.
P.O. Box 230 Vairico FL 33595
Phone No.: 813.659.9197
TEXAS BOARD OF PROFESSIONAL ENGINEERS
CERTIFICATE OF REGISTRATION # F-11852

PRODUCT: SINGLE OPAQUE
FIBERGLASS DOOR
"IMPACT" IN SWING / OUTSWING
PART OR ASSEMBLY:
TYPICAL ELEVATION, DESIGN
PRESSURES & GENERAL NOTES

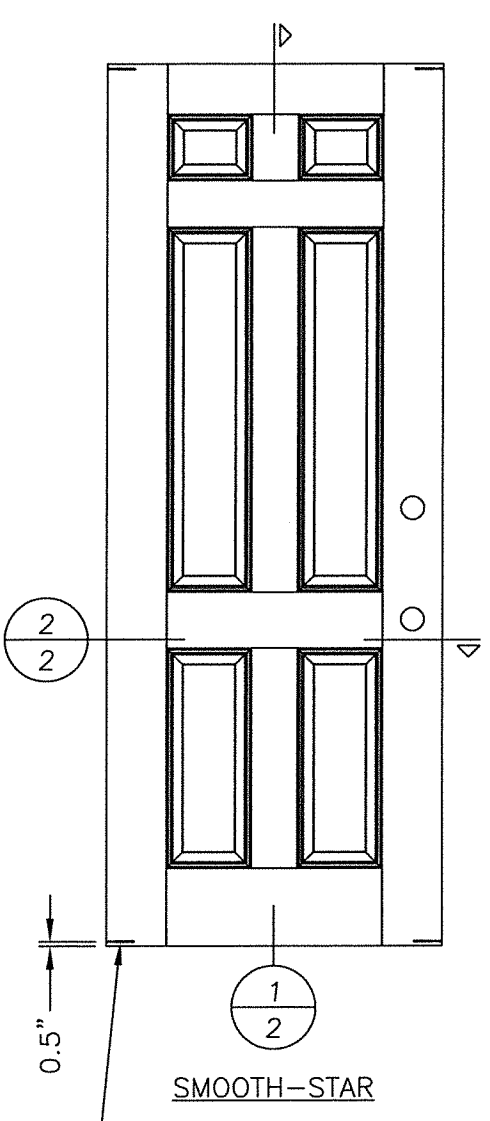
NO.	DATE	BY	REVISIONS
2	5/07/20	LFS	UPDATE TO 2018 IBC/IRC CODE
1	7/22/15	LFS	ADDED GENERAL NOTE 5.

DATE: 7/16/12
SCALE: N.T.S.
DWG. BY: JK
CHK. BY: LFS
DRAWING NO.: TX-4178
SHEET 1 OF 7

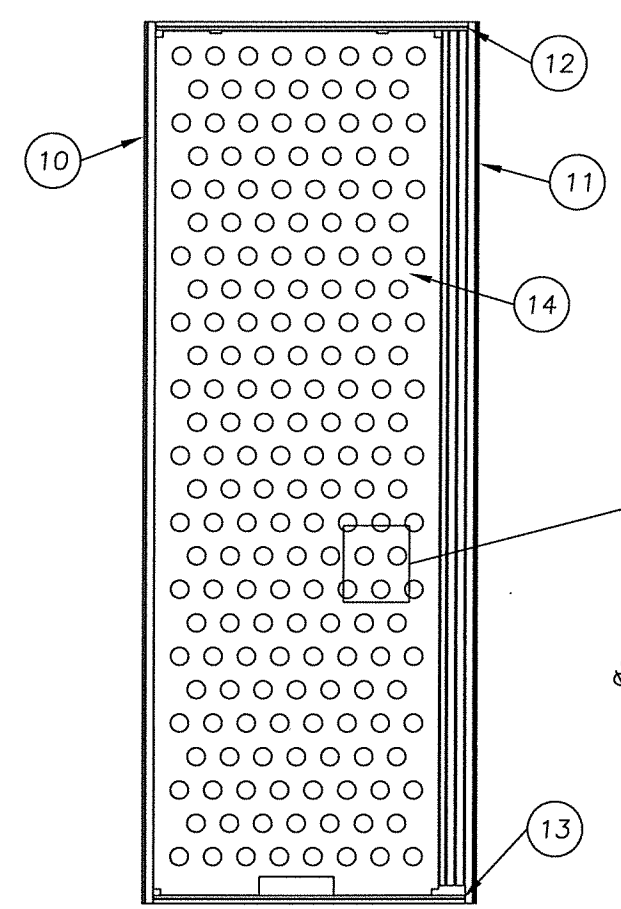
R:\Clients\Therma Tru PERMANENT\B - Texas Dept of Ins\TDI - DR 601 - 80 Opaque FG Imp IS - OS Sgls Dbils w-wo Imp SL\C - Drawings\Current\TX-4175-83.dwg, X2



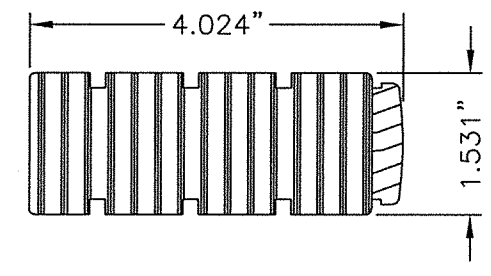
2 HORIZONTAL CROSS SECTION
2 SMOOTH-STAR



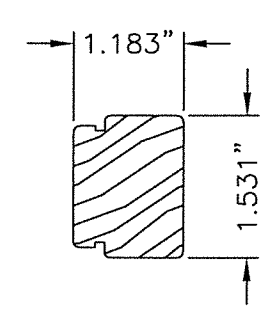
32 TYP. 4 CORNERS OF PANEL
1/2 SMOOTH-STAR



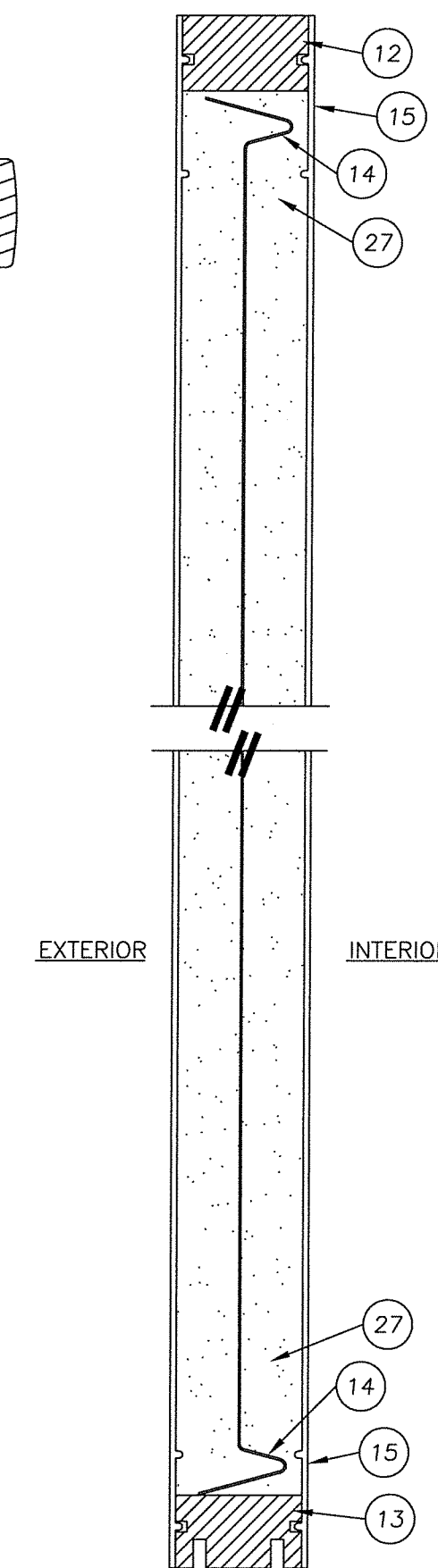
Ø2" DIA. MAX.
28.86% OPEN AREA MAX.



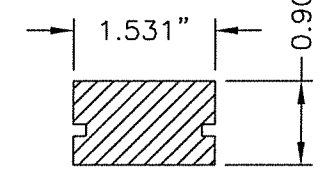
11 LOCK STILE SMOOTH-STAR



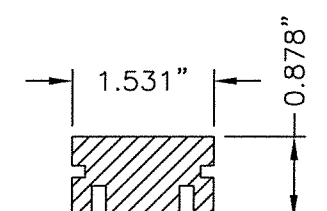
10 HINGE STILE SMOOTH-STAR



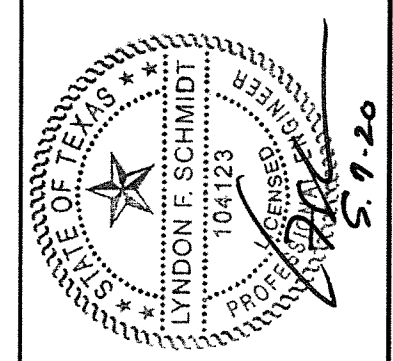
1 VERTICAL CROSS SECTION
2 SMOOTH-STAR



12 TOP RAIL SMOOTH-STAR



13 BOTTOM RAIL SMOOTH-STAR



Documents Prepared By: Lyndon F. Schmidt, P.E.
TEXAS P.E. #104123

RW BUILDING CONSULTANTS, INC.
P.O. Box 230 Valrico FL 33595
Phone No.: 813.659.9197

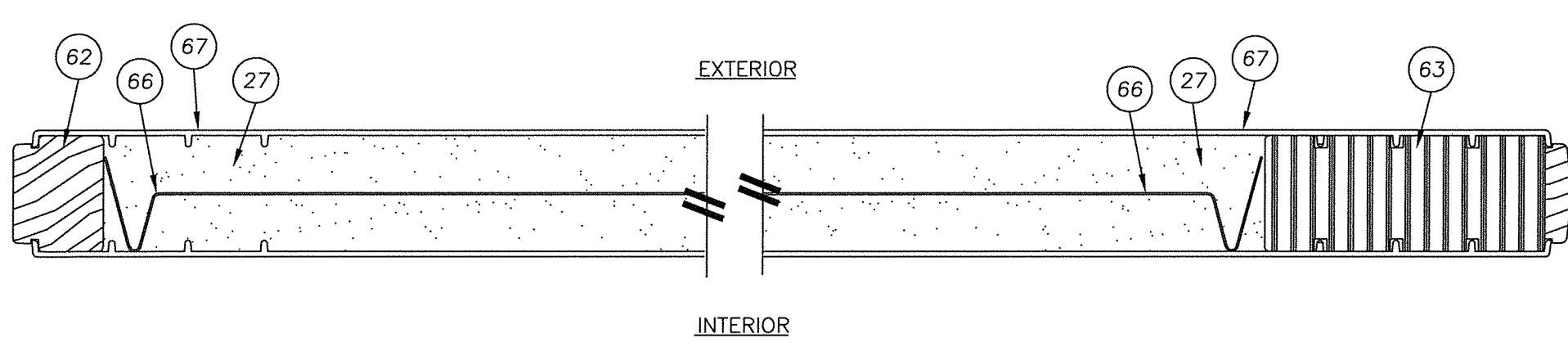
TEXAS BOARD OF PROFESSIONAL ENGINEERS
CERTIFICATE OF REGISTRATION # F-11852

PRODUCT: SINGLE OPAQUE FIBERGLASS DOOR
"IMPACT" INSWING / OUTSWING
PART OR ASSEMBLY: DOOR PANEL DETAILS (SMOOTH-STAR)

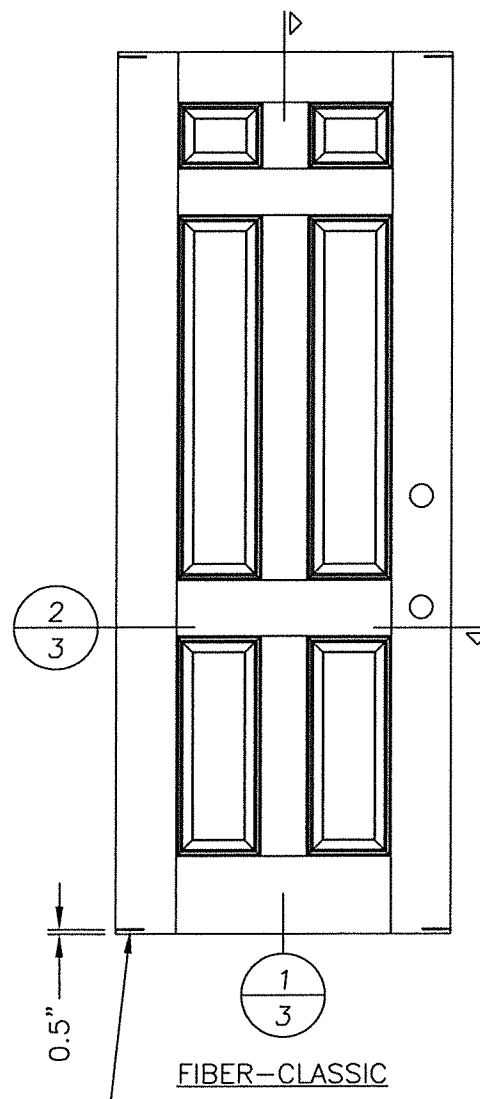
NO.	DATE	BY	REVISIONS
2	5/07/20	LFS	UPDATE TO 2018 IBC/IRC CODE
1	7/22/15	LFS	ADDED GENERAL NOTE 5.

DATE: 7/16/12
SCALE: N.T.S.
DWG. BY: JK
CHK. BY: LFS
DRAWING NO.: TX-4178
SHEET 2 OF 7

R:\Clients\Therma Tru PERMANENT\B - Texas Dept of Ins\TDI - DR 601 - 80 Opaque FG Imp IS - OS Sgls Dbis w-wo Imp SL\C - Drawings\Current\TX-4175-83.dwg, X3

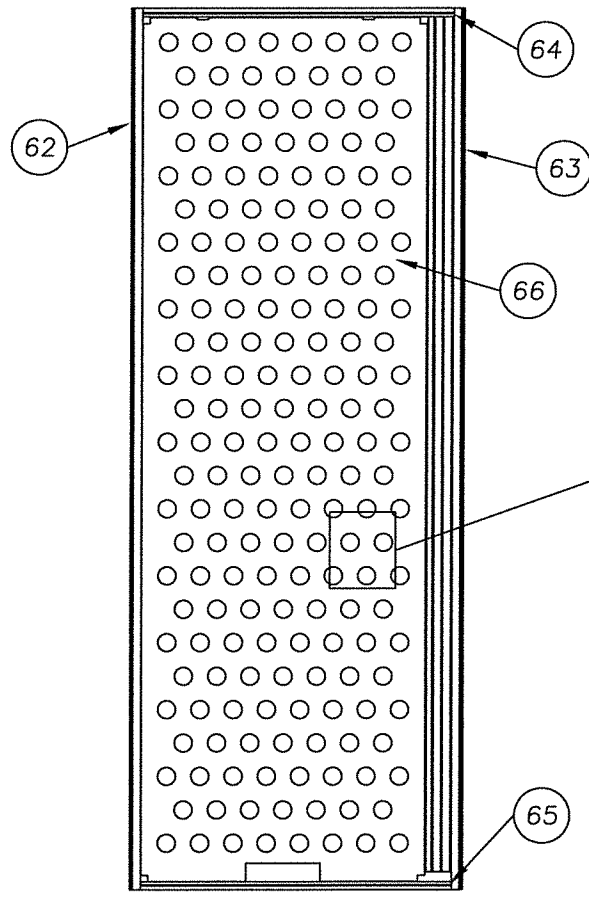


2 HORIZONTAL CROSS SECTION
3 FIBER-CLASSIC

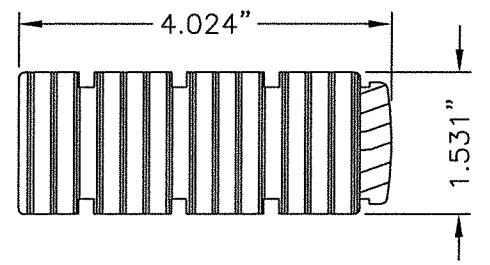


1 FIBER-CLASSIC

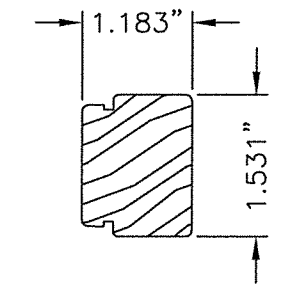
32 TYP. 4 CORNERS OF PANEL



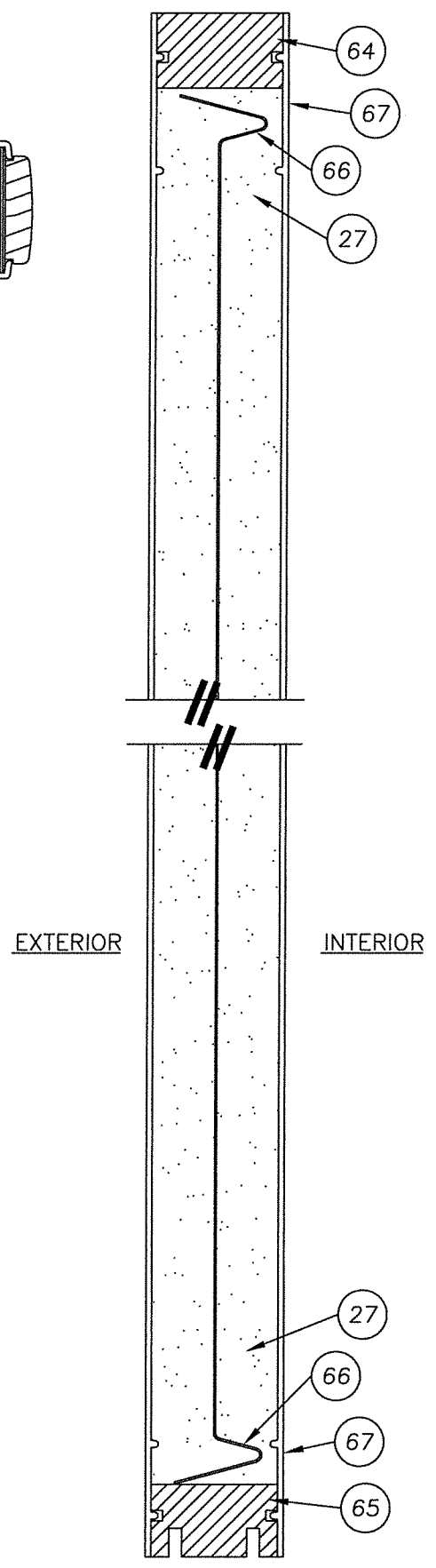
28.86% OPEN AREA MAX.



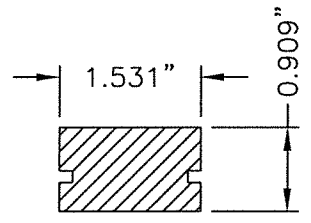
63 LOCK STILE FIBER-CLASSIC



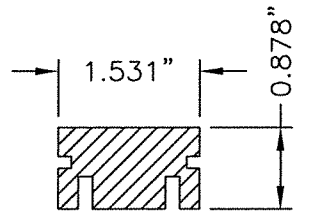
62 HINGE STILE FIBER-CLASSIC



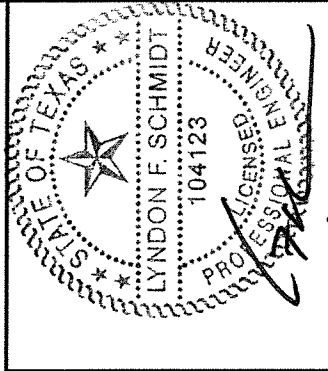
1 VERTICAL CROSS SECTION
3 FIBER-CLASSIC



64 TOP RAIL FIBER-CLASSIC



65 BOTTOM RAIL FIBER-CLASSIC



5-7-20

Documents Prepared By: Lyndon F. Schmidt, P.E.
TEXAS P.E. #104123

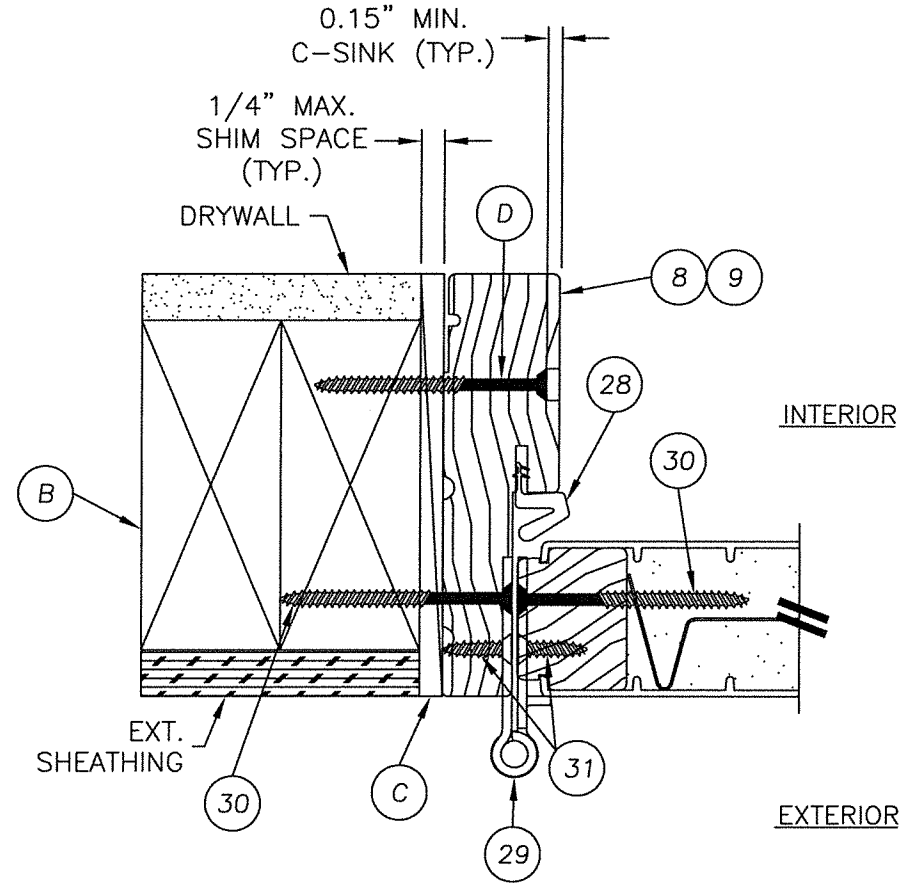
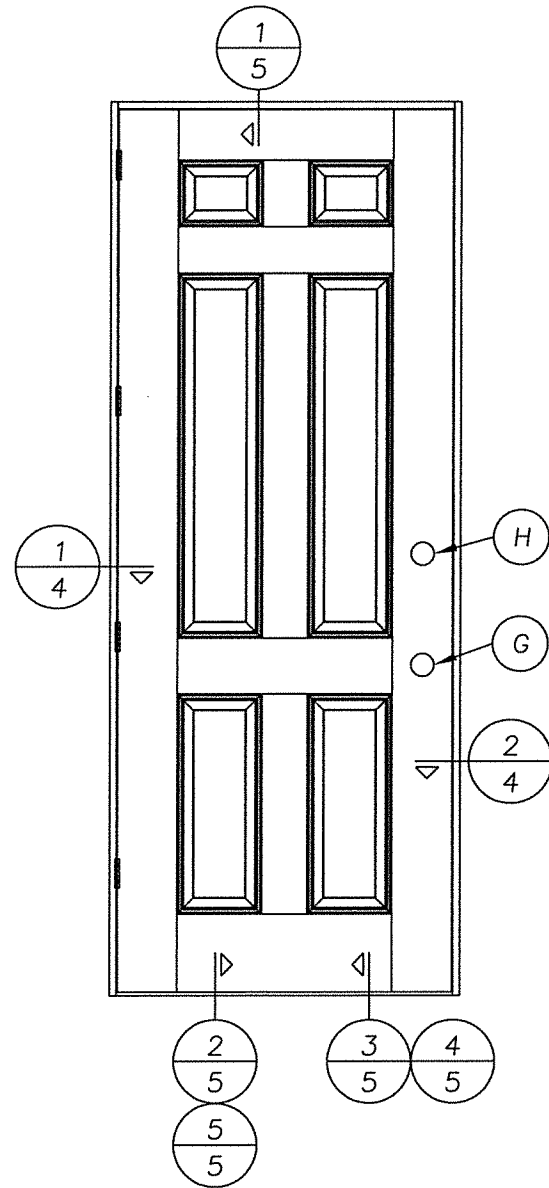
RW BUILDING CONSULTANTS, INC.
P.O. Box 230 Valrico FL 33595
Phone No.: 813.659.9197

TEXAS BOARD OF PROFESSIONAL ENGINEERS
CERTIFICATE OF REGISTRATION # F-11852

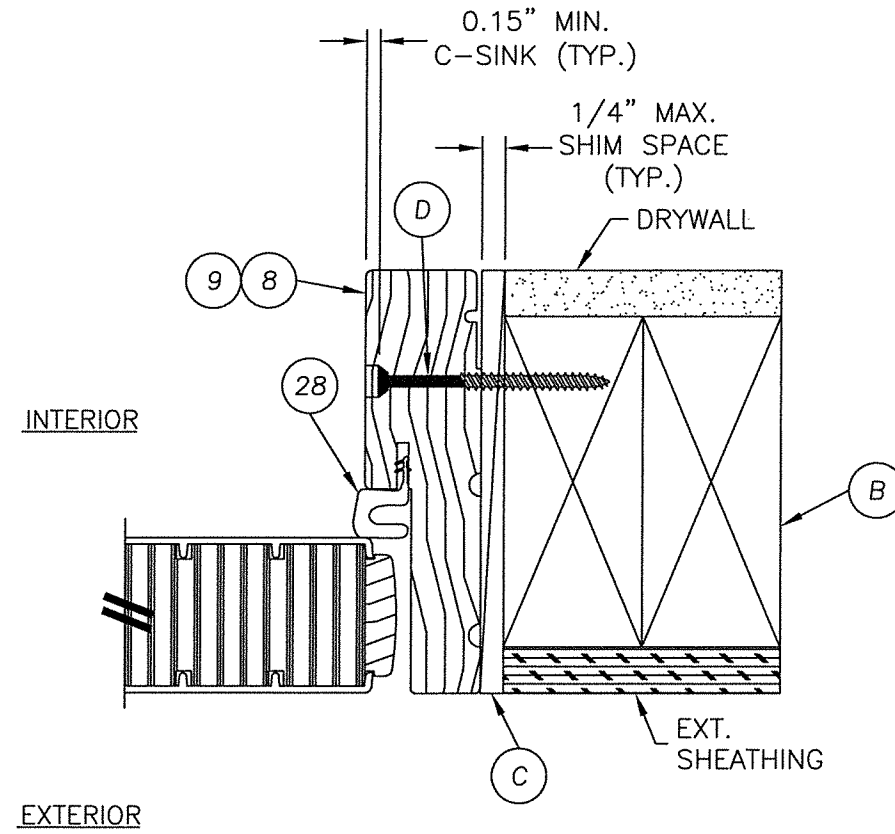
PRODUCT: SINGLE OPAQUE FIBERGLASS DOOR
"IMPACT" INSWING / OUTSWING
PART OR ASSEMBLY: DOOR PANEL DETAILS (FIBER-CLASSIC)

NO.	DATE	BY	REVISIONS
2	5/07/20	LFS	UPDATE TO 2018 IBC/IRC CODE
1	7/22/15	LFS	ADDED GENERAL NOTE 5.

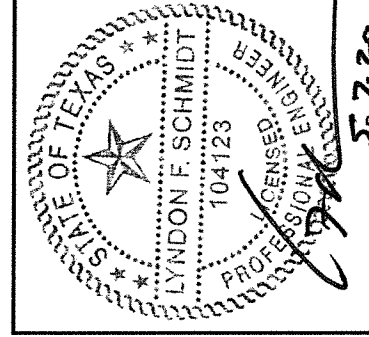
DATE: 7/16/12
SCALE: N.T.S.
DWG. BY: JK
CHK. BY: LFS
DRAWING NO.: TX-4178
SHEET 3 OF 7



1 HORIZONTAL CROSS SECTION
 4 OUTSWING SHOWN (INSWING ALSO APPROVED)
 SMOOTH-STAR PANEL SHOWN
 SEE DOOR PANEL DETAILS FOR
 OPTIONAL PANEL TYPES



2 HORIZONTAL CROSS SECTION
 4 OUTSWING SHOWN (INSWING ALSO APPROVED)
 SMOOTH-STAR PANEL SHOWN
 SEE DOOR PANEL DETAILS FOR
 OPTIONAL PANEL TYPES



Documents Prepared By: Lyndon F. Schmidt, P.E.
 TEXAS P.E. #104123

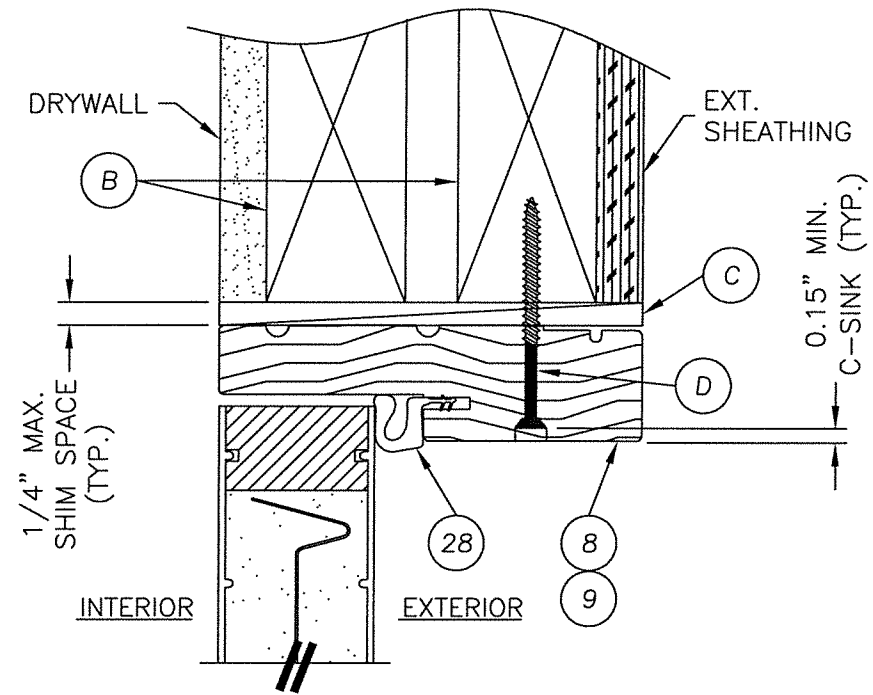
RW BUILDING CONSULTANTS, INC.
 P.O. Box 230 Valrico FL 33595
 Phone No.: 813.659.9197

TEXAS BOARD OF PROFESSIONAL ENGINEERS
 CERTIFICATE OF REGISTRATION # F-11852

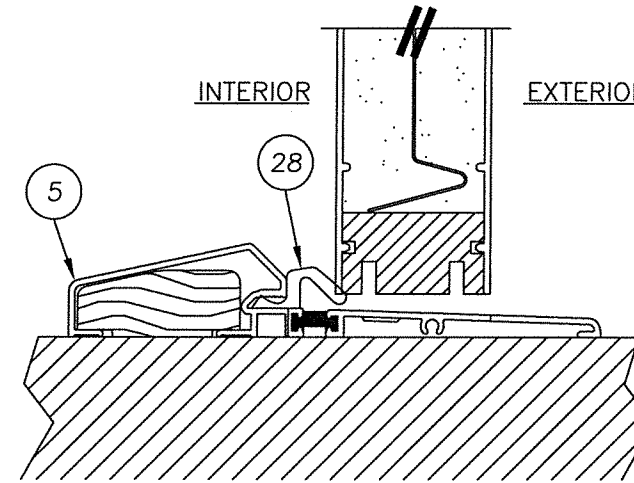
PRODUCT: SINGLE OPAQUE
 FIBERGLASS DOOR
 "IMPACT" INSWING / OUTSWING
 PART OR ASSEMBLY:
 HORIZONTAL CROSS SECTIONS

NO.	DATE	BY	REVISIONS
2	5/07/20	LFS	UPDATE TO 2018 IBC/IRC CODE
1	7/22/15	LFS	ADDED GENERAL NOTE 5.

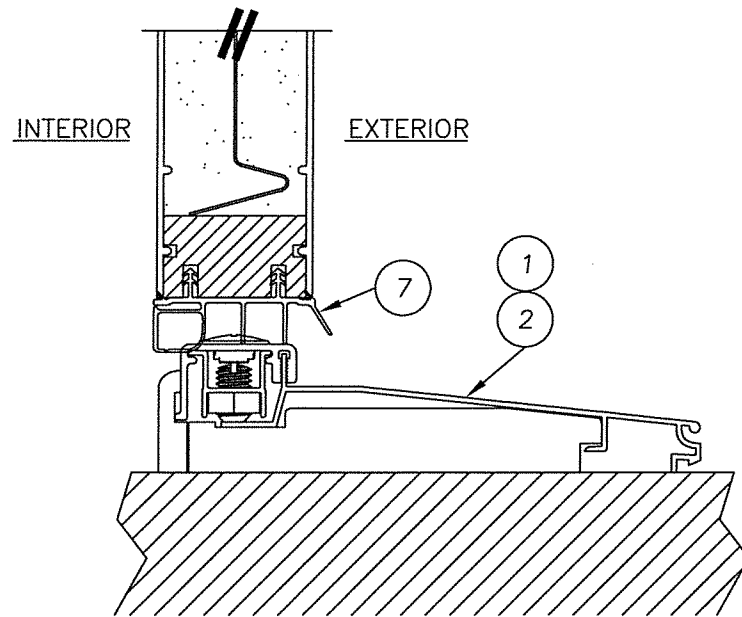
DATE: 7/16/12
 SCALE: N.T.S.
 DWG. BY: JK
 CHK. BY: LFS
 DRAWING NO.: TX-4178
 SHEET 4 OF 7



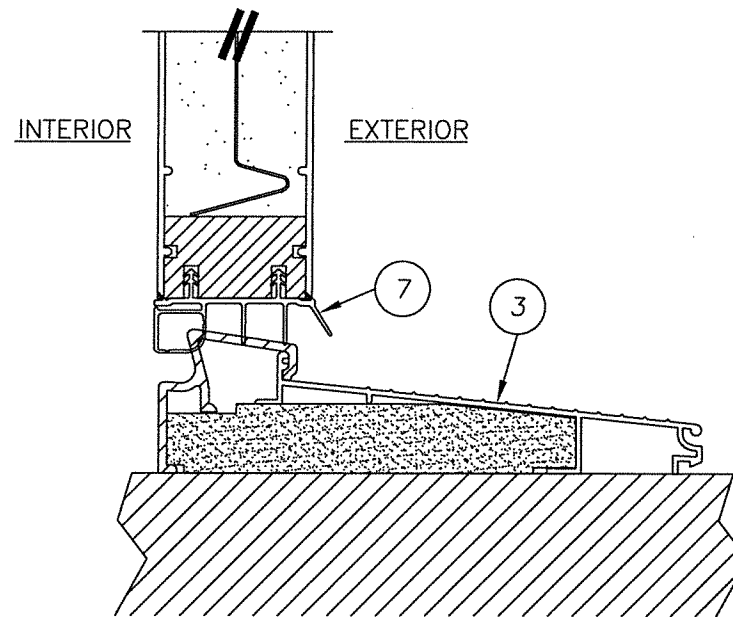
1 VERTICAL CROSS SECTION
 5 INSWING SHOWN (OUTSWING ALSO APPROVED)
 SMOOTH-STAR PANEL SHOWN
 SEE DOOR PANEL DETAILS FOR
 OPTIONAL PANEL TYPES



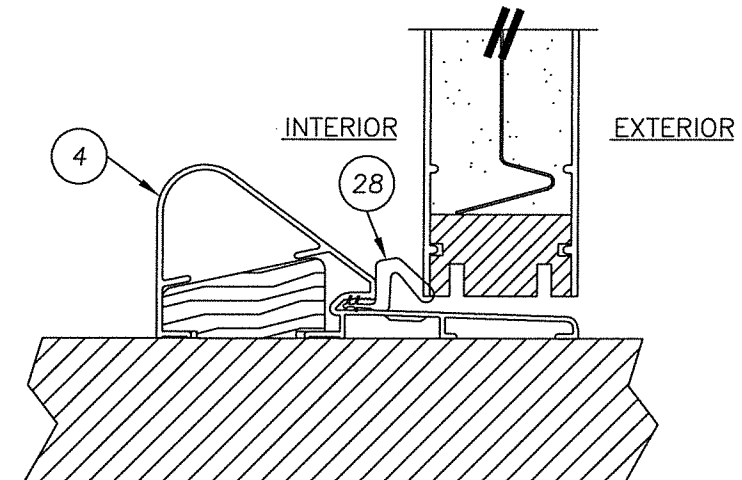
2 VERTICAL CROSS SECTION
 5 @ THRESHOLD
 SMOOTH-STAR PANEL SHOWN
 SEE DOOR PANEL DETAILS FOR
 OPTIONAL PANEL TYPES



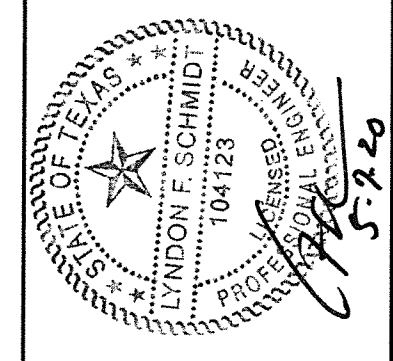
3 VERTICAL CROSS SECTION
 5 @ THRESHOLD
 SMOOTH-STAR PANEL SHOWN
 SEE DOOR PANEL DETAILS FOR
 OPTIONAL PANEL TYPES



4 VERTICAL CROSS SECTION
 5 @ THRESHOLD
 SMOOTH-STAR PANEL SHOWN
 SEE DOOR PANEL DETAILS FOR
 OPTIONAL PANEL TYPES



5 VERTICAL CROSS SECTION
 5 @ THRESHOLD
 SMOOTH-STAR PANEL SHOWN
 SEE DOOR PANEL DETAILS FOR
 OPTIONAL PANEL TYPES

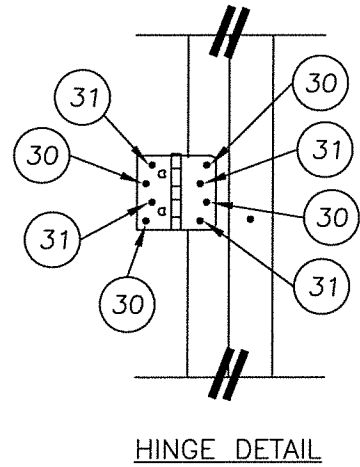


Documents Prepared By: Lyndon F. Schmidt, P.E.
 TEXAS P.E. #104123

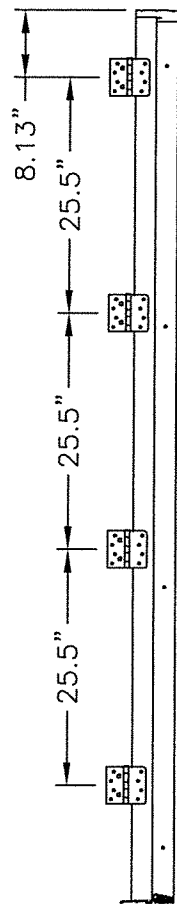
RW BUILDING CONSULTANTS, INC.
 P.O. Box 230 Valrico FL, 33595
 Phone No.: 813.659.9197

TEXAS BOARD OF PROFESSIONAL ENGINEERS
 CERTIFICATE OF REGISTRATION # F-11852

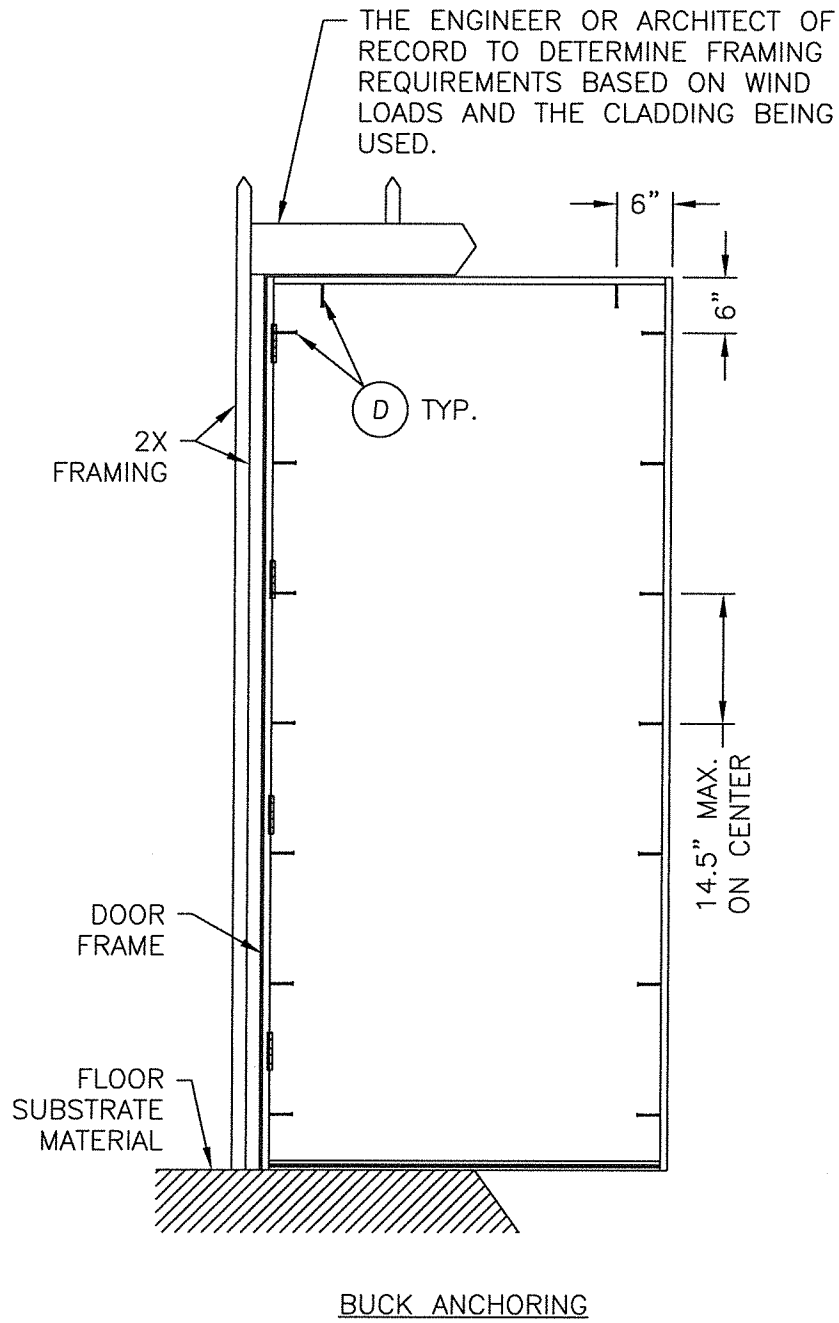
PRODUCT:	SINGLE OPAQUE FIBERGLASS DOOR	
PART OR ASSEMBLY:	"IMPACT" INSWING / OUTSWING	
VERTICAL CROSS SECTIONS		
NO.	DATE	BY
2	5/07/20	LFS
1	7/22/15	LFS
REVISIONS		
DATE:	7/16/12	
SCALE:	N.T.S.	
DWG. BY:	JK	
CHK. BY:	LFS	
DRAWING NO.:	TX-4178	
SHEET	5 OF 7	



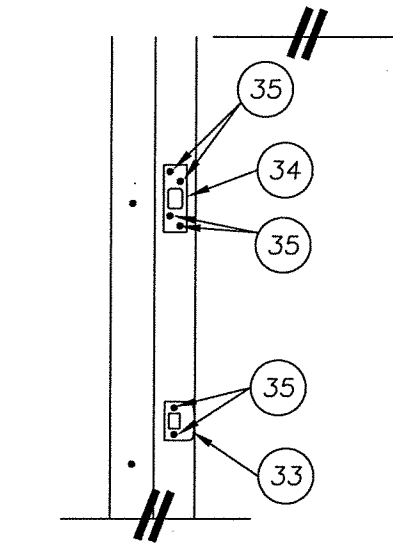
HINGE DETAIL



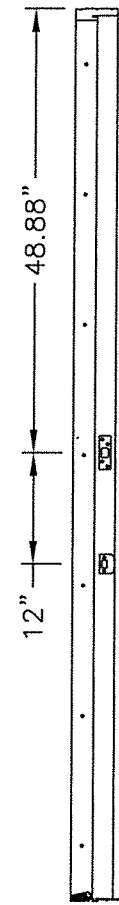
HINGE DETAIL



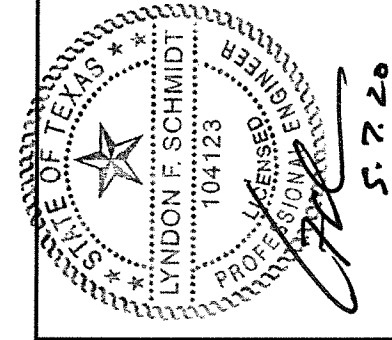
BUCK ANCHORING



STRIKE PLATE DETAIL



STRIKE PLATE DETAIL



Documents Prepared By: Lyndon F. Schmidt, P.E.
TEXAS P.E. #104123

RW BUILDING CONSULTANTS, INC.
P.O. Box 230 Valrico FL, 33595
Phone No.: 813.659.9197

TEXAS BOARD OF PROFESSIONAL ENGINEERS
CERTIFICATE OF REGISTRATION # F-11852

PRODUCT: SINGLE OPAQUE
FIBERGLASS DOOR
"IMPACT" INSWING / OUTSWING
PART OR ASSEMBLY:
FRAME ANCHORING

NO.	DATE	REVISIONS
2	5/07/20	UPDATE TO 2018 IBC/IRC CODE
1	7/22/15	ADDED GENERAL NOTE 5.
		BY

DATE: 7/16/12

SCALE: N.T.S.

DWG. BY: JK

CHK. BY: LFS

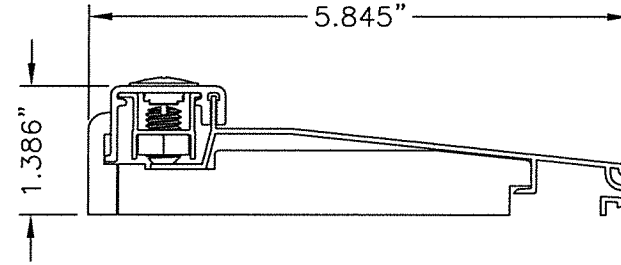
DRAWING NO.:

TX-4178

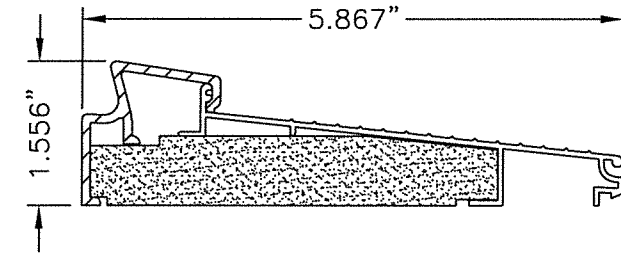
SHEET 6 OF 7

R:\Clients\Therma Tru PERMANENT\B - Texas Dept of Ins\TDL - DR 601 - 80 Opaque FG Imp IS - OS Sgls Dbils w-wo Imp SLC - Drawings\Current\TX-4175-83.dwg, X7

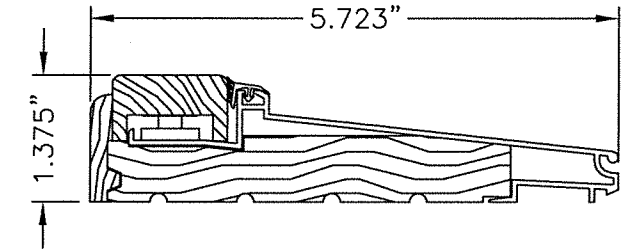
BILL OF MATERIALS		
ITEM	DESCRIPTION	MATERIAL
B	2X FRAMING (G >= 0.42)	WOOD
C	1/4" MAX. SHIM SPACE	WOOD
D	#10 X 2-1/2" PFH WOOD SCREW	STEEL
G	KWIKSET 200 SERIES PASSAGE LOCK	STEEL
H	KWIKSET 600 SERIES DEADBOLT	STEEL
1	INSWING ADJUSTABLE THRESHOLD (IS300AJ)	ALUM./WOOD
2	INSWING THRESHOLD (IS300HP5)	ALUM./COMP.
3	INSWING SELF ADJUST THERMAL BREAK THRESHOLD (ISP30M)	ALUM./COMP.
4	OUTSWING COASTAL THRESHOLD	ALUM./WOOD
5	OUTSWING STANDARD THRESHOLD	ALUM./WOOD
7	DOOR BOTTOM SWEEP	VINYL
8	JAMB (OAK)	WOOD
9	JAMB (PINE)	WOOD
10	HINGE STILE (SMOOTH-STAR)	WOOD
11	LOCK STILE (SMOOTH-STAR)	LVL/WOOD
12	TOP RAIL (SMOOTH-STAR)	PVC
13	BOTTOM RAIL (SMOOTH-STAR)	PVC
14	PANEL REINFORCEMENT 0.023" THK. (SMOOTH-STAR)	STEEL
15	DOOR SKIN 0.070" THK. (SMOOTH-STAR) Fy = 6,000 PSI MIN.	FIBERGLASS
16	HINGE STILE (CLASSIC-CRAFT)	WOOD/LVL
28	WEATHERSTRIP	FOAM
29	HINGE	STEEL
30	#10 X 2-1/2" PFH SCREW	STEEL
31	#10 X 3/4" PFH SCREW	STEEL
32	#9 X 3" PFH WOOD SCREW	STEEL
33	LATCH STRIKE PLATE	STEEL
34	SECURITY STRIKE PLATE (SINGLE DOOR ONLY)	STEEL
35	#8 X 3" PFH SCREW	STEEL
62	HINGE STILE (FIBER-CLASSIC)	WOOD
63	LOCK STILE (FIBER-CLASSIC)	LVL/WOOD
64	TOP RAIL (FIBER-CLASSIC)	PVC
65	BOTTOM RAIL (FIBER-CLASSIC)	PVC
66	PANEL REINFORCEMENT 0.023" THK. (FIBER-CLASSIC)	STEEL
67	DOOR SKIN 0.070" THK. (FIBER-CLASSIC) Fy = 6,000 PSI MIN.	FIBERGLASS



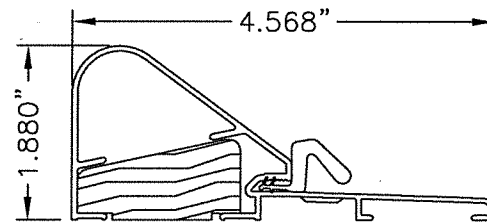
2 THRESHOLD
INSWING ADJUSTABLE



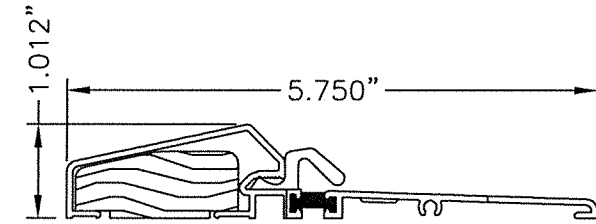
3 THRESHOLD
INSWING SELF-ADJUST



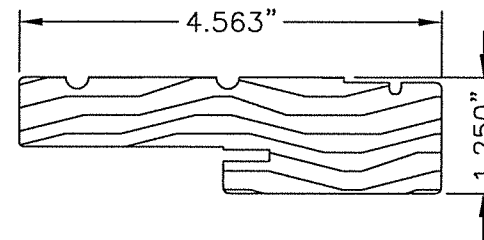
1 THRESHOLD
INSWING ADJUSTABLE



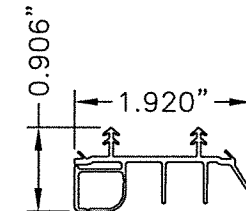
4 THRESHOLD
OUTSWING COASTAL



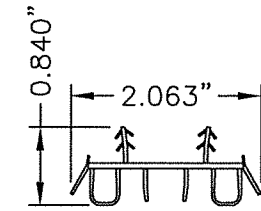
5 THRESHOLD
OUTSWING STANDARD



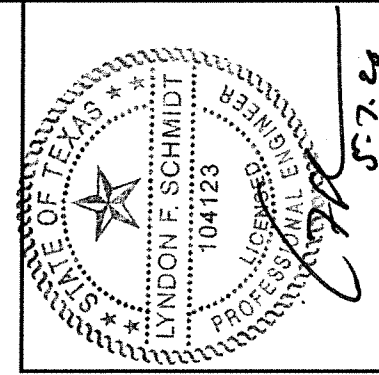
9 8 JAMB



7 SWEEP



52 SWEEP



Documents Prepared By: Lyndon F. Schmidt, P.E.
TEXAS P.E. #104123

RW BUILDING CONSULTANTS, INC.
P.O. Box 230 Valrico FL 33595
Phone No.: 813.659.9197
TEXAS BOARD OF PROFESSIONAL ENGINEERS
CERTIFICATE OF REGISTRATION # F-11852

PRODUCT: SINGLE OPAQUE
FIBERGLASS DOOR
"IMPACT" INSWING / OUTSWING
PART OR ASSEMBLY:
BILL OF MATERIALS
& COMPONENTS

NO.	DATE	REVISIONS
2	5/07/20	UPDATE TO 2018 IBC/IRC CODE
1	7/22/15	ADDED GENERAL NOTE 5.

DATE: 7/16/12
SCALE: N.T.S.
DWG. BY: JK
CHK. BY: LFS
DRAWING NO.: TX-4178
SHEET 7 OF 7

© 2012 R.W. BUILDING CONSULTANTS INC.