

GENERAL NOTES

1. THE PRODUCT SHOWN HEREIN IS DESIGNED TO COMPLY WITH THE 2018 IRC AND TDI BASED ON THE SIGNED AND SEALED DATE. PRODUCT HAS BEEN TESTED TO ASTM E330-02, E331-00, E283-04, E1886-05, E1996-05b & AAMA 1304-02. WIND ZONE (WD) RATING = 4
2. 2X AND 1X WOOD BUCKS BY OTHERS, MUST BE ANCHORED PROPERLY TO TRANSFER LOADS TO THE STRUCTURE.
3. PRODUCT ANCHORS SHALL BE AS LISTED AND SPACED AS SHOWN ON DETAILS. ANCHOR EMBEDMENT TO BASE MATERIAL SHALL BE BEYOND WALL DRESSING OR STUCCO.
4. DESIGNED PRESSURE RATING SEE TABLE I, PAGE 1.
5. SCALE BASED ON 11x17 SHEET SIZE.
6. ALL 1X & 2X TO BE 0.55 SPECIFIC GRAVITY OR GREATER.
7. PRODUCT HAS NOT BEEN RATED FOR WATER INFILTRATION. IF AUTHORITY HAVING JURISDICTION REQUIRES THAT PRODUCT MEETS THIS REQUIREMENT, PRODUCT SHALL BE USED WHEN INSTALLED AT LOCATION PROTECTED BY OVERHANG SUCH THAT OVERHANG (OH) RATIO = OH LENGTH/OH HEIGHT IS 1.0.

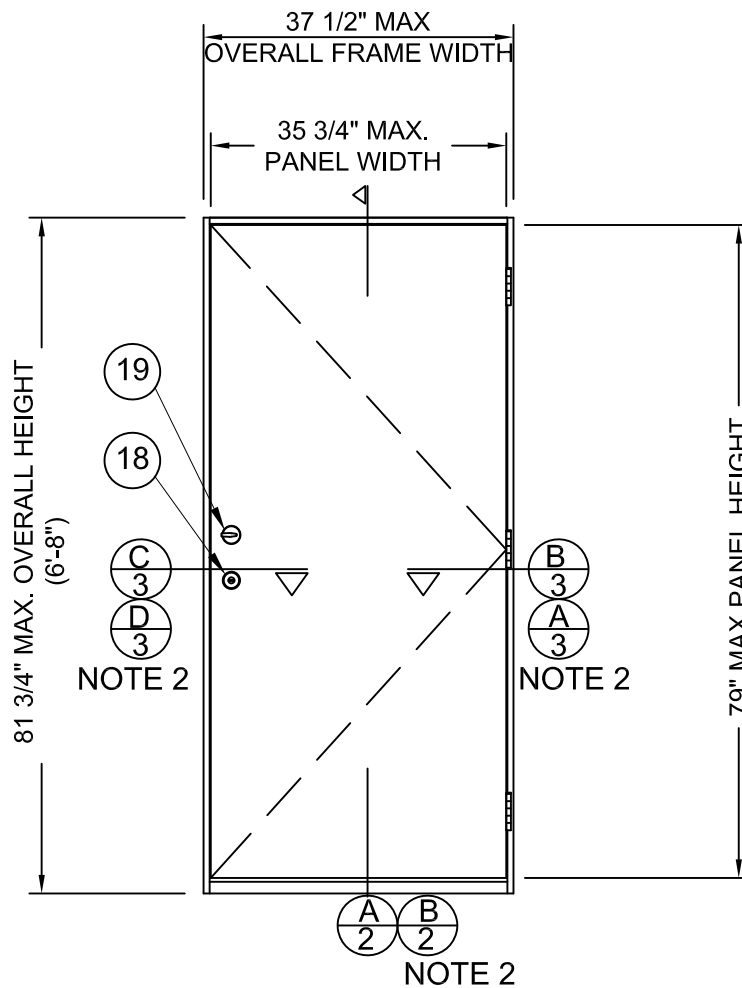
DOOR LEAF CONSTRUCTION:

FACE SHEETS: THE FACE SHEETS ARE GLUED TO THE CORE AND SUBSTRATE WITH LMC ADHESIVE.

CORE DESIGN: DOOR CORE BY JELD-WEN.

PANEL CONSTRUCTION: EACH DOOR PANEL IS CONSTRUCTED FROM TWO SHEETS OF 25-GAUGE (.018" MIN) GALVANIZED STEEL. THE FACE SHEETS ARE BENT 90° OVER THE 1.688" X 1.0" LVL (LAMINATED VENEER LUMBER) STILES AND TOP RAIL. THE AVERAGE MINIMUM YIELD STRENGTH OF 25 GA SHEET METAL SKIN IS 38,400 psi. THE 1.688"X1.203" BOTTOM RAIL CONSISTS OF ROLLED-FORMED GALVANIZED 25-GAUGE (.018" MIN) STEEL. THE WOOD LOCK BLOCK IS 1.688" X 3 1/8" X 12".

FRAME CONSTRUCTION: THE FRAME JAMBS AND HEAD ARE CONSTRUCTED OF FINGER JOINTED PINE. THE INSWING SILL IS COMPRISED OF COMPOSITE MATERIAL WITH ALUMINUM CLADDING AND A PLASTIC ADJUSTABLE HEIGHT THRESHOLD. THE OUTSWING SILL IS COMPRISED OF COMPOSITE MATERIAL WITH ALUMINUM CLADDING. TOP CORNERS ARE COPED, BUTTED, SEALED USING SILICONE AND FASTENED USING FOUR 16 GA. 7/16" X 2" LONG STAPLES PER TOP CORNER. BOTTOM CORNERS ARE COPED, BUTTED, SEALED USING SILICONE AND FASTENED USING THREE 16 GA. 7/16" X 2" LONG STAPLES PER BOTTOM CORNER. ALL FRAME JOINERY ARE SEALED AT THE EXTERIOR USING DOW 1199 SILICONE.



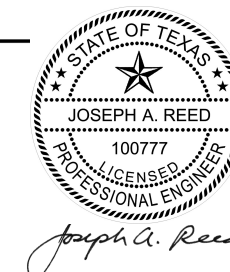
SINGLE UNIT (X)
(INSWING IMPACT)

- NOTE:**
- 1- ALL VIEWS FROM INTERIOR.
 - 2- MASONRY AND CONCRETE CONSTRUCTION.

TABLE OF CONTENTS	
SHT #	DESCRIPTION
1	INSWING ELEVATIONS & GENERAL NOTES
2	INSWING VERTICAL CROSS SECTIONS & BILL OF MATERIALS
3	INSWING HORIZONTAL CROSS SECTIONS
4	OUTSWING ELEVATIONS & VERTICAL CROSS SECTIONS
5	OUTSWING HORIZONTAL CROSS SECTIONS
6	ANCHORING LOCATIONS & DETAILS
7	UNIT COMPONENTS

TABLE 1

DESIGN PRESSURE RATING		
		DESIGN PRESSURE RATING:
		SINGLE DOOR ONLY
INSWING	POSITIVE	+50
	NEGATIVE	-50
OUTSWING	POSITIVE	+50
	NEGATIVE	-50



2021.12.08 13:02:35 -05'00'

JOSEPH A. REED, P.E.
 Texas No. 100777
 5 Leigh Drive
 York, PA. 17406
 (717) 846-1200

PRODUCT: FINISHIELD/GLADIATOR
 STEEL DOOR, WOOD EDGE
 3-0x6-8 OPAQUE INSWING/OUTSWING
 25GA. IMPACT DOOR SYSTEM
 PART OR ASSEMBLY:

INSWING ELEVATIONS &
 GENERAL NOTES

NO.	DATE	BY	REVISIONS
C	08.24.17	JH	CHG'D CORE DEFIN.
B	11.19.14	SM	PE INFO UPDATED
A	12.01.11	JLA	2010 CODE CHANGE

DATE: 12/07/2021

SCALE: 1/2" = 1'

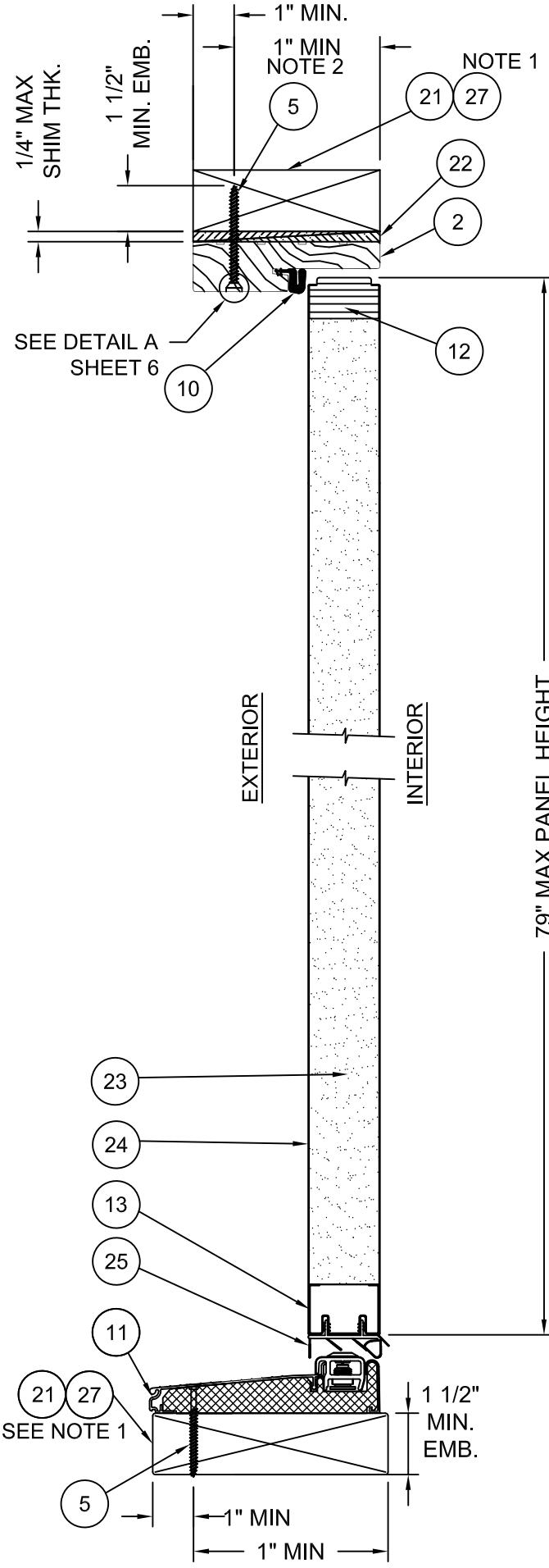
DWG. BY: G. LUBBECKE

CHK. BY: S. FREY

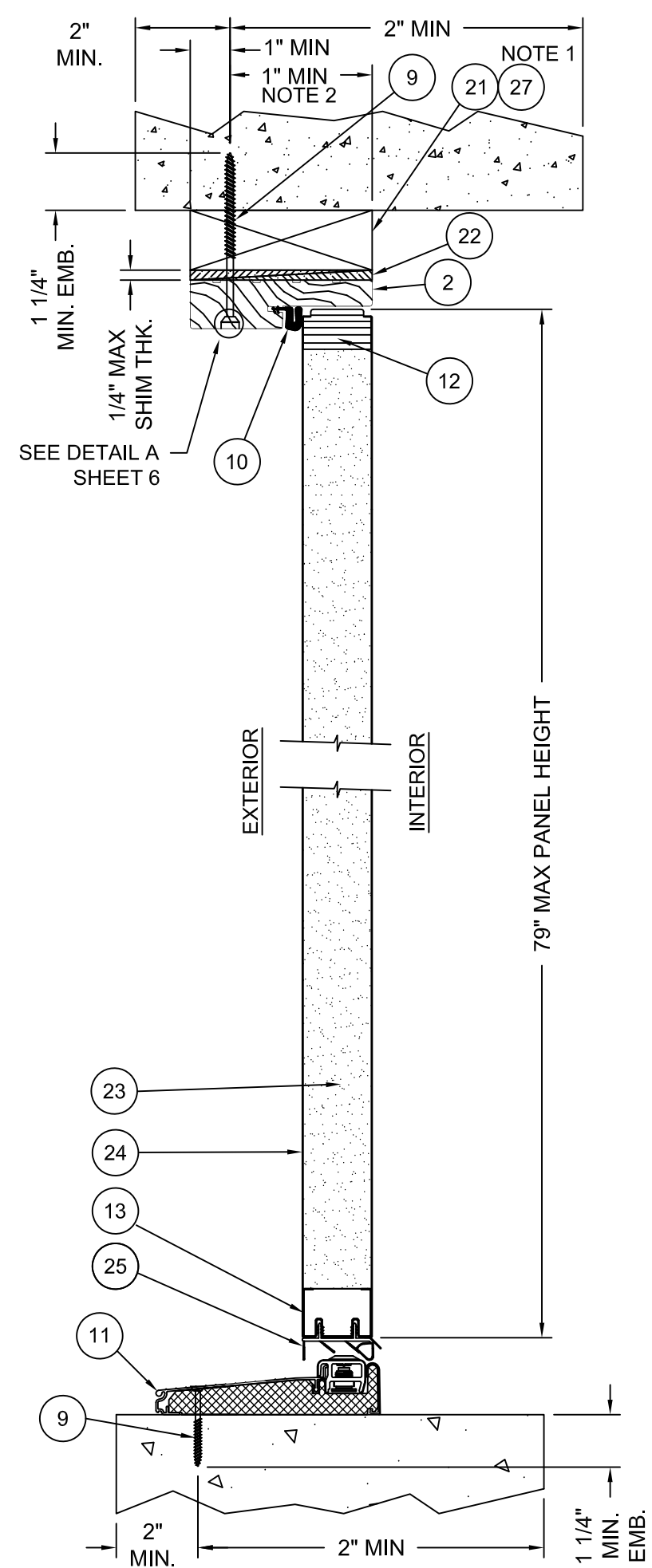
DRAWING NO.: JW152009

SHEET 1 OF 7

JELD-WEN, INC.
 3737 LAKEPORT BLVD.
 KLAMATH FALLS, OR, 97601
 PH. 541-882-3451



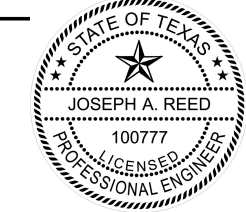
A VERTICAL CROSS SECTION, DOOR TYP.
2 WOOD FRAME INSTALLATION



B VERTICAL CROSS SECTION, DOOR TYP.
2 MASONRY AND CONCRETE INSTALLATION

Item	DESCRIPTION	Material
1	HINGE JAMB (1 1/4"x4-5/8" FINGERJOINTED PINE, TREATED)	PINE
2	HEAD JAMB (1 1/4"x4-5/8" FINGERJOINTED PINE, TREATED)	PINE
3	LATCH JAMB (1-1/4"x4-5/8" FINGERJOINTED PINE, TREATED)	PINE
4	OUTSWING THRESHOLD 6063-T5/COMPOSITE	ALUMINUM
5	#10 PHILLIPS FLATHEAD WOOD SCREW WITH 1 1/2" MIN. EMBEDMENT	STEEL
6	4" x 4" BUTT HINGE 12GA. (.089" MIN)	STEEL
7	#9 x 3/4" PHILLIPS FLATHEAD WOOD SCREW	STEEL
8	#10 x 1 1/2" PHILLIPS FLATHEAD WOOD SCREW	STEEL
9	3/16" ITW BUILDEX TAPCON OR EQUIVALENT WITH 1 1/4" MIN. EMBEDMENT	STEEL
10	COMPRESSION WEATHERSTRIP (LoxSeal 9650)	FOAM
11	INSWING THRESHOLD 6063-T5/COMPOSITE	ALUMINUM
12	TOP RAIL (LAMINATED VENEER LUMBER)	LVL
13	BOTTOM RAIL 25GA (0.018") GALVANIZED STEEL	STEEL
14	HINGE SIDE STILE (LAMINATED VENEER LUMBER)	LVL
15	LATCH SIDE STILE (LAMINATED VENEER LUMBER)	LVL
16	LOCK BLOCK x 12" LG PINE, TREATED	PINE
17	16 Ga. 7/16" CROWN x 2" LONG STAPLES	STEEL
18	KWIKSET LOCK SERIES 400	STEEL
19	KWIKSET DEADBOLT SERIES 660	STEEL
20	#8 x 2" PHILLIPS FLATHEAD WOOD SCREW	STEEL
21	2x WOOD BUCK GRADE 2 SOUTHERN YELLOW PINE, TREATED	WOOD
22	NON-COMPRESSION SHIM	WOOD
23	DOOR CORE BY JELD-WEN	FOAM
24	STEEL DOOR PANEL SKIN MATERIAL (25 GA GALVANIZED) A-525 COMMERCIAL QUALITY 0.018" MIN. THICK.)	STEEL GALVANIZED
25	INSWING VINYL DOOR BOTTOM SWEEP	VINYL
26	CORNER PADS 2", LOCATED AT THE BOTTOM OF EACH JAMB LEG SETTING ON TOP OF THE SILL, BEHIND THE WEATHERSTRIP	FOAM
27	OPTIONAL 1X WOOD BUCK GRADE 2 SOUTHERN YELLOW PINE, TREATED	WOOD
28	DEAD BOLT BACK PLATE	STEEL

NOTE 1: 1X MAY BE UTILIZED AS AN OPTION AS LONG AS MINIMUM ANCHOR EMBEDMENT DEPTH, INTO MASONRY, CONCRETE, OR WOOD, IS MAINTAINED.
 NOTE 2: OPTIONALLY, ANCHOR CAN BE PLACED IN NARROW SECTION OF HEAD OR JAMB



Joseph A. Reed
 2021.12.08 13:02:35 -05'00'

JOSEPH A. REED, P.E.
 Texas No. 100777
 5 Leigh Drive
 York, PA. 17406
 (717) 846-1200

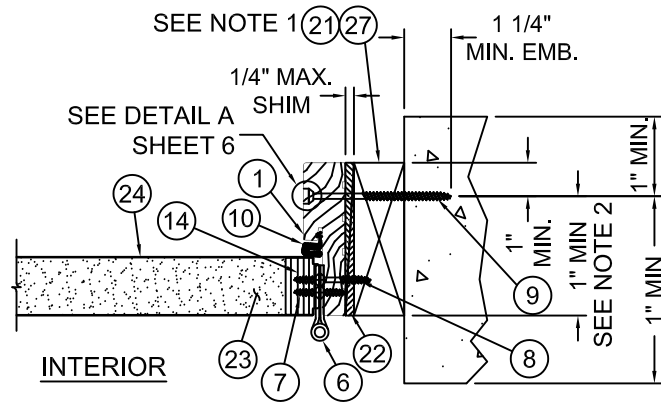
JELD-WEN, INC.
 3737 LAKEPORT BLVD.
 KLAMATH FALLS, OR, 97601
 PH. 541-882-3451

PRODUCT: FINISHIELD/GLADIATOR
 STEEL DOOR, WOOD EDGE
 3-0x6-8 OPAQUE INSWING/OUTSWING
 25GA. IMPACT DOOR SYSTEM

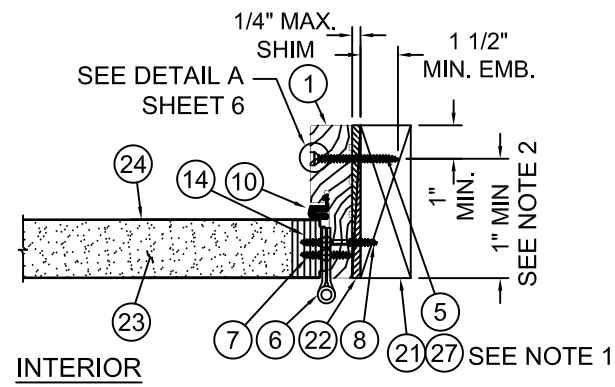
PART OR ASSEMBLY:
 INSWING VERTICAL CROSS SECTIONS &
 BILL OF MATERIALS

NO.	DATE	BY	REVISIONS
C	08.24.17	JH	CHGD CORE DEFIN.
B	11.19.14	SM	PE INFO UPDATED
A	12.01.11	JLA	2010 CODE CHANGE

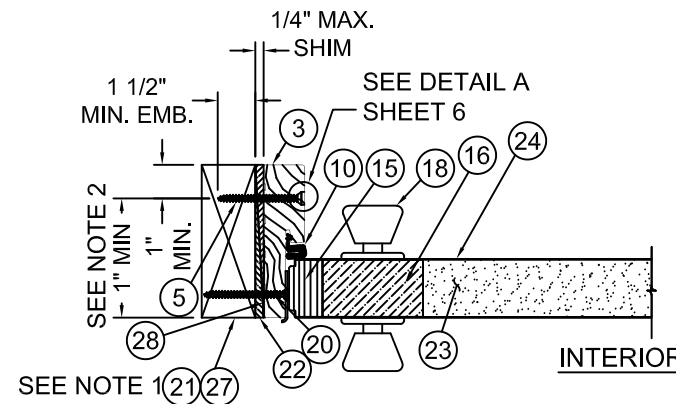
DATE: 2/07/2021
 SCALE: 3" = 1'
 DWG. BY: G. LUBBECKE
 CHK. BY: S. FREY
 DRAWING NO.: JW152009
 SHEET 2 OF 7



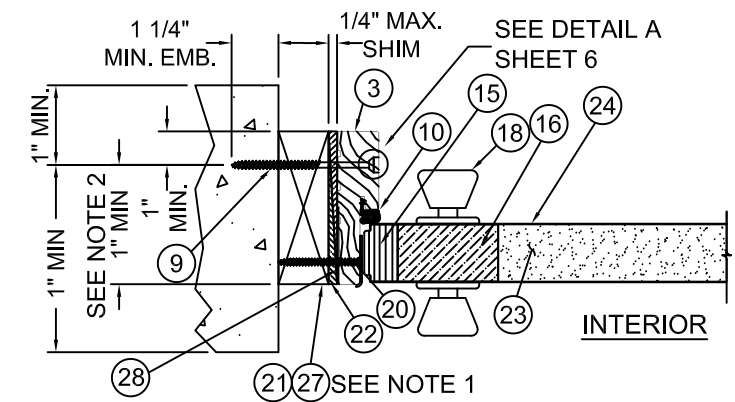
A
3 HORIZONTAL CROSS SECTION
VIEW AT DOOR HINGE/SIDE JAMB
(MASONRY AND CONCRETE INSTALL)



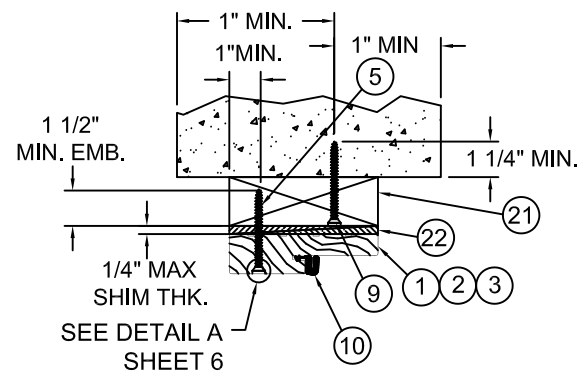
B
3 HORIZONTAL CROSS SECTION
VIEW AT DOOR HINGE/SIDE JAMB
(WOOD INSTALL)



C
3 HORIZONTAL CROSS SECTION
VIEW AT DOOR LATCH/SIDE JAMB
(WOOD INSTALL)



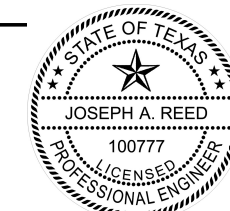
D
3 HORIZONTAL CROSS SECTION
VIEW AT DOOR LATCH/SIDE JAMB
(MASONRY AND CONCRETE INSTALL)



OPTIONAL MASONRY AND CONCRETE INSTALLATION
FOR HEADERS AND JAMBS
SEE NOTE 2 & 3, THIS PAGE

NOTES:

- 1X MAY BE UTILIZED AS AN OPTION AS LONG AS MINIMUM ANCHOR EMBEDMENT DEPTH, INTO MASONRY, CONCRETE, OR WOOD, IS MAINTAINED.
- OPTIONALLY, ANCHOR CAN BE PLACED IN NARROW SECTION OF HEAD OR JAMB AS LONG AS MIN. EDGE DISTANCE IS MAINTAINED.
- TAPCON SPACING BETWEEN ANCHORS SAME AS WOOD SCREW CONFIGURATION.



Joseph A. Reed

2021.12.08 13:02:35 -05'00'

JOSEPH A. REED, P.E.
Texas No. 100777
5 Leigh Drive
York, PA. 17406
(717) 846-1200

JELD-WEN, INC.
3737 LAKEPORT BLVD.
KLAMATH FALLS, OR, 97601
PH. 541-882-3451

PRODUCT: FINISHIELD/GLADIATOR
STEEL DOOR, WOOD EDGE
3-0x6-8 OPAQUE INSWING/OUTSWING
25GA. IMPACT DOOR SYSTEM
PART OR ASSEMBLY:

INSWING HORIZONTAL
CROSS SECTIONS

NO.	DATE	BY	REVISIONS
C	08.24.17	JH	CHG'D CORE DEFIN.
B	11.19.14	SM	PE INFO UPDATED
A	12.01.11	JLA	2010 CODE CHANGE

DATE: 2/07/2021

SCALE: NONE

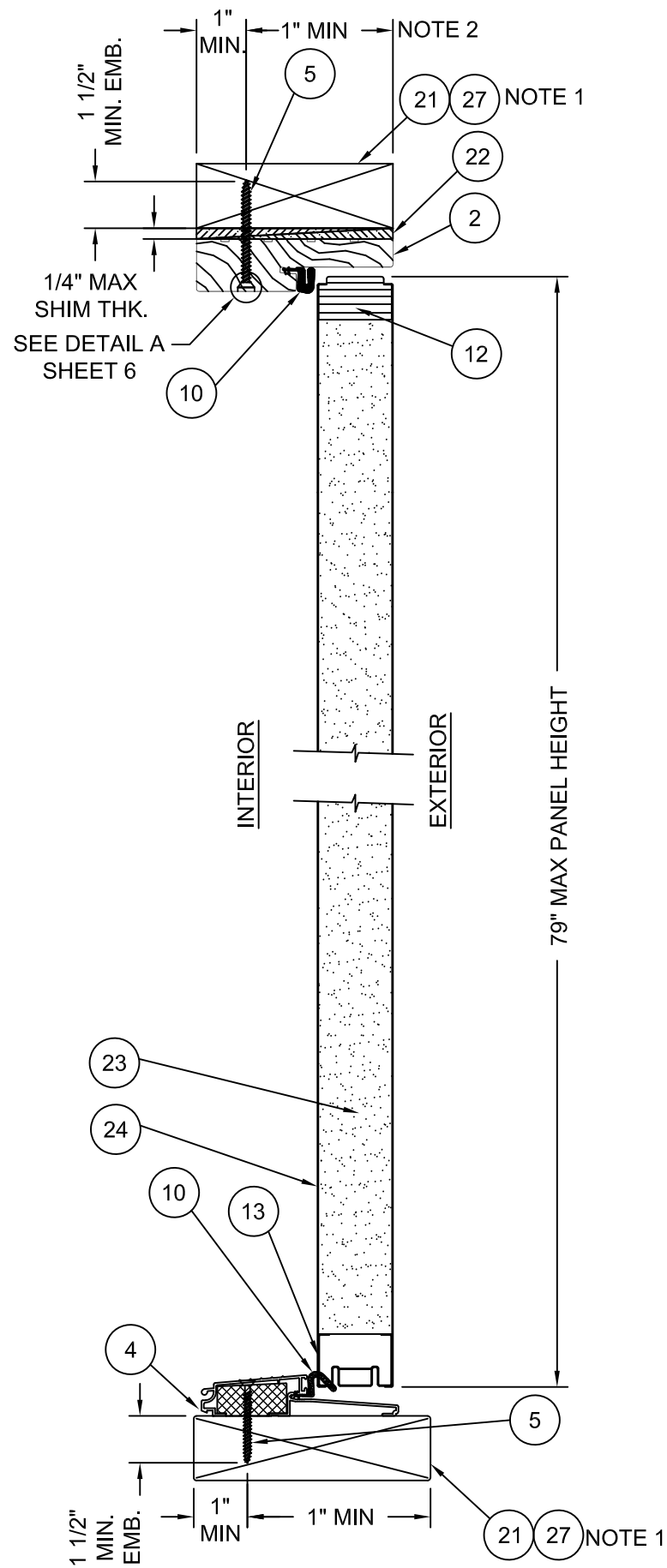
DWG. BY: G.LUBBECKE

CHK. BY: S. FREY

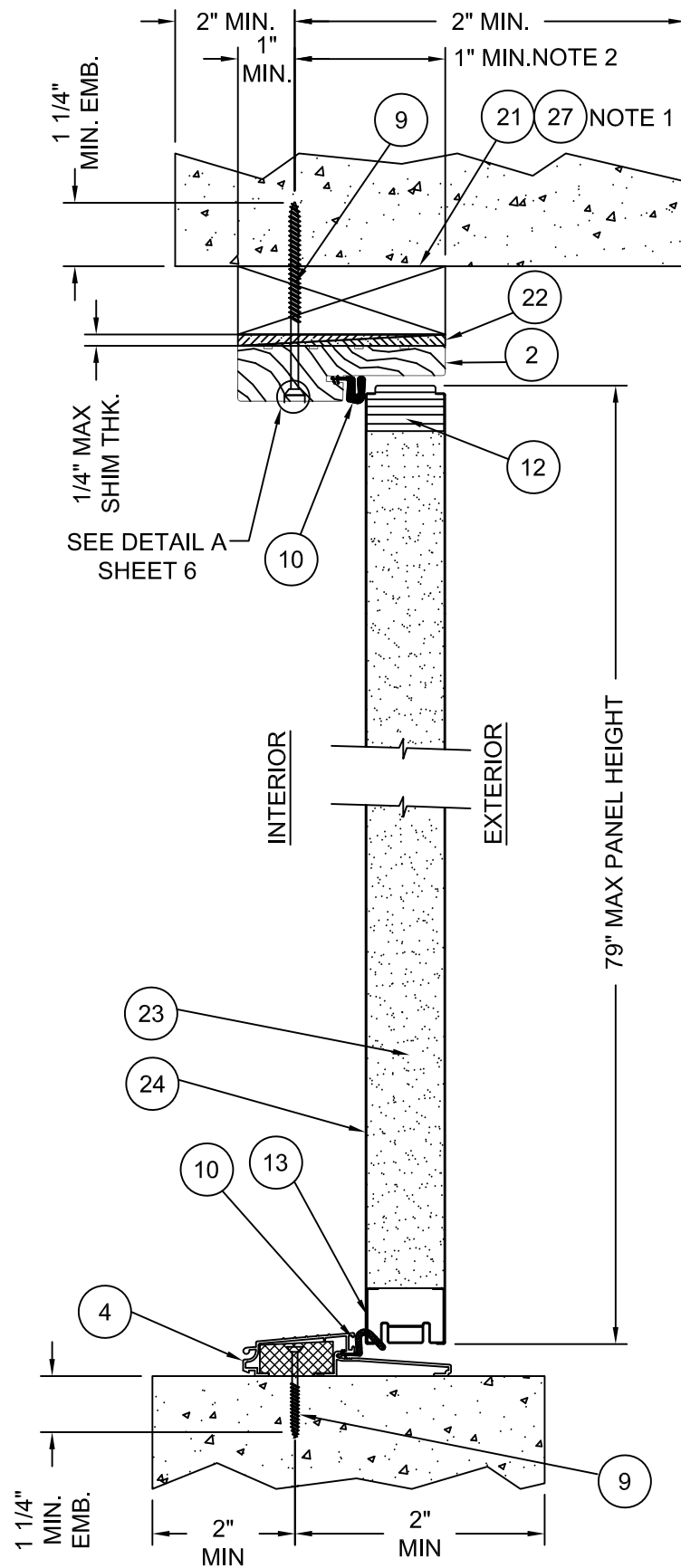
DRAWING NO.:

JW152009

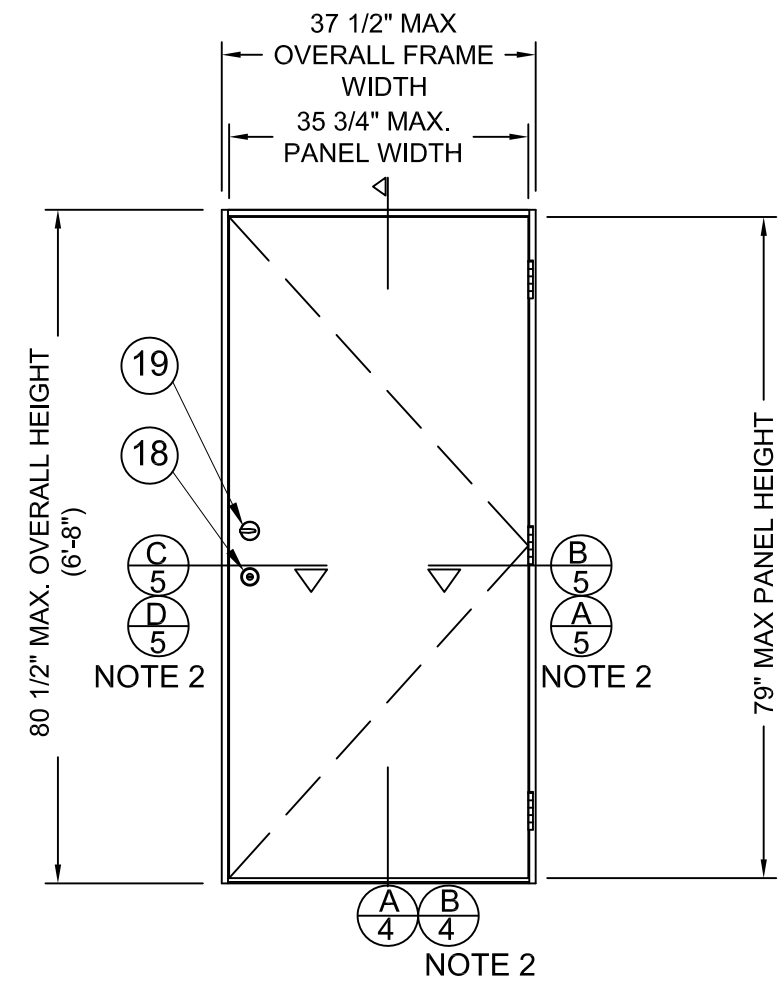
SHEET 3 OF 7



A
4 VERTICAL CROSS SECTION, DOOR TYP.
WOOD FRAME INSTALLATION
(SCALE: 3"=1'-0")

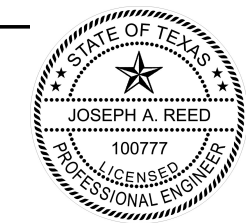


B
4 VERTICAL CROSS SECTION, DOOR TYP.
MASONRY AND CONCRETE INSTALLATION
(SCALE: 3"=1'-0")



(EXTERIOR VIEW)
SINGLE UNIT (X)
OUTSWING IMPACT
(SCALE: 1/2"=1'-0")

NOTE 1: 1X MAY BE UTILIZED AS AN OPTION AS LONG AS MINIMUM ANCHOR EMBEDMENT DEPTH, INTO MASONRY, CONCRETE, OR WOOD, IS MAINTAINED.
NOTE 2: OPTIONALLY, ANCHOR CAN BE PLACED IN NARROW SECTION OF HEAD OR JAMB
NOTE 3: MASONRY AND CONCRETE CONSTRUCTION.



Joseph A. Reed
2021.12.08 13:02:35 -05'00'

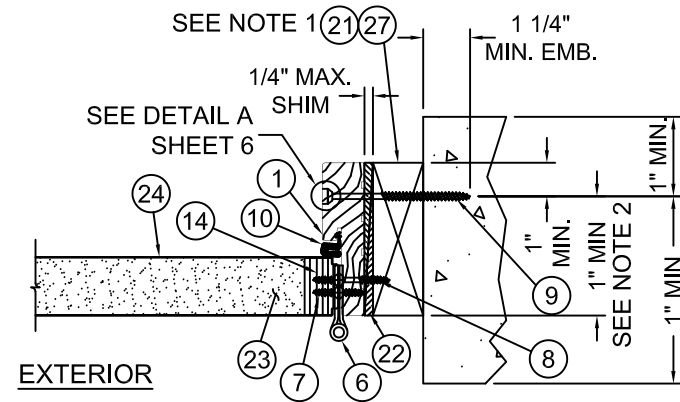
JOSEPH A. REED, P.E.
Texas No. 100777
5 Leigh Drive
York, PA. 17406
(717) 846-1200

JELD-WEN, INC.
3737 LAKEPORT BLVD.
KLAMATH FALLS, OR, 97601
PH. 541-882-3451

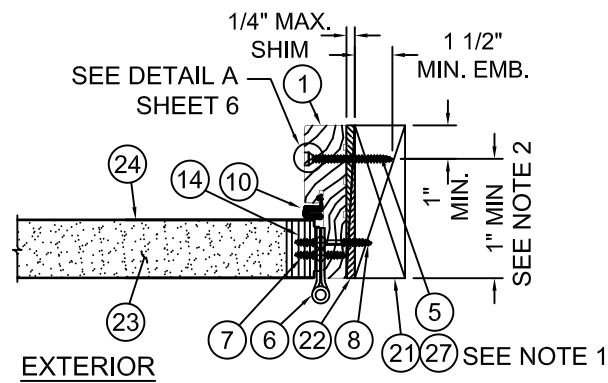
PRODUCT: FINISHIELD/GLADIATOR
STEEL DOOR, WOOD EDGE
3-0x6-8 OPAQUE INSWING/OUTSWING
25GA. IMPACT DOOR SYSTEM
PART OR ASSEMBLY:
OUTSWING ELEVATIONS &
VERTICAL CROSS SECTIONS

NO.	DATE	REVISIONS
C	08.24.17	CHG'D CORE DEFIN.
B	11.19.14	PE INFO UPDATED
A	12.01.11	2010 CODE CHANGE

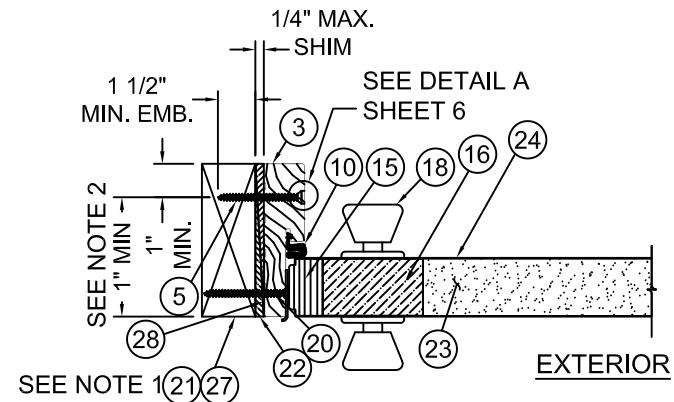
DATE: 2/07/2021
SCALE: AS SHOWN
DWG. BY: G. LUBBECKE
CHK. BY: S. FREY
DRAWING NO.: JW152009
SHEET 4 OF 7



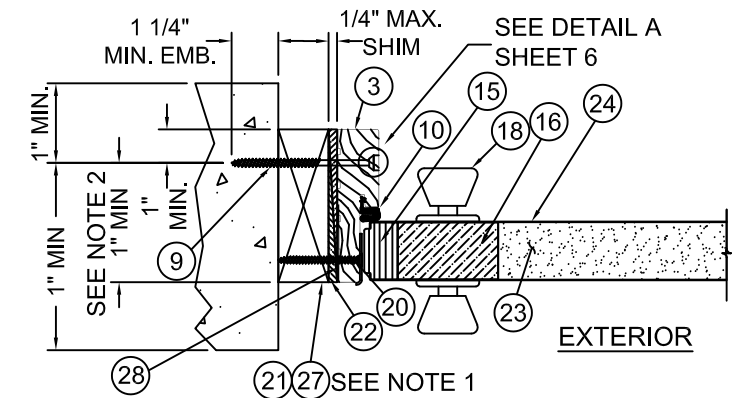
A
5 HORIZONTAL CROSS SECTION
VIEW AT DOOR HINGE/SIDE JAMB
(MASONRY AND CONCRETE INSTALL)



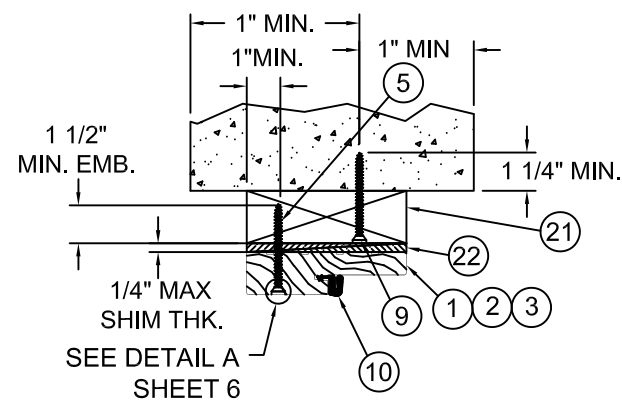
B
5 HORIZONTAL CROSS SECTION
VIEW AT DOOR HINGE/SIDE JAMB
(WOOD INSTALL)



C
5 HORIZONTAL CROSS SECTION
VIEW AT DOOR LATCH/SIDE JAMB
(WOOD INSTALL)



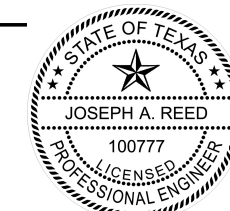
D
5 HORIZONTAL CROSS SECTION
VIEW AT DOOR LATCH/SIDE JAMB
(MASONRY AND CONCRETE INSTALL)



OPTIONAL MASONRY AND CONCRETE INSTALLATION
FOR HEADERS AND JAMBS
SEE NOTE 2 & 3, THIS PAGE

NOTES:

- 1X MAY BE UTILIZED AS AN OPTION AS LONG AS MINIMUM ANCHOR EMBEDMENT DEPTH, INTO MASONRY, CONCRETE, OR WOOD, IS MAINTAINED.
- OPTIONALLY, ANCHOR CAN BE PLACED IN NARROW SECTION OF HEAD OR JAMB AS LONG AS MIN. EDGE DISTANCE IS MAINTAINED.
- TAPCON SPACING BETWEEN ANCHORS SAME AS WOOD SCREW CONFIGURATION.



Joseph A. Reed

2021.12.08 13:02:35 -05'00'

JOSEPH A. REED, P.E.
Texas No. 100777
5 Leigh Drive
York, PA. 17406
(717) 846-1200

JELD-WEN, INC.
3737 LAKEPORT BLVD.
KLAMATH FALLS, OR, 97601
PH. 541-882-3451

PRODUCT: FINISHIELD/GLADIATOR
STEEL DOOR, WOOD EDGE
3-0x6-8 OPAQUE INSWING/OUTSWING
25GA. IMPACT DOOR SYSTEM
PART OR ASSEMBLY:

OUTSWING HORIZONTAL CROSS
SECTIONS

NO.	DATE	REVISIONS
C	08.24.17	CHG'D CORE DEFIN. JH
B	11.19.14	PE INFO UPDATED
A	12.01.11	2010 CODE CHANGE

DATE: 2/07/2021

SCALE: NONE

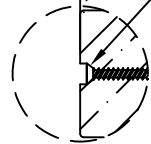
DWG. BY: G. LUBBECKE

CHK. BY: S. FREY

DRAWING NO.: JW152009

SHEET 5 OF 7

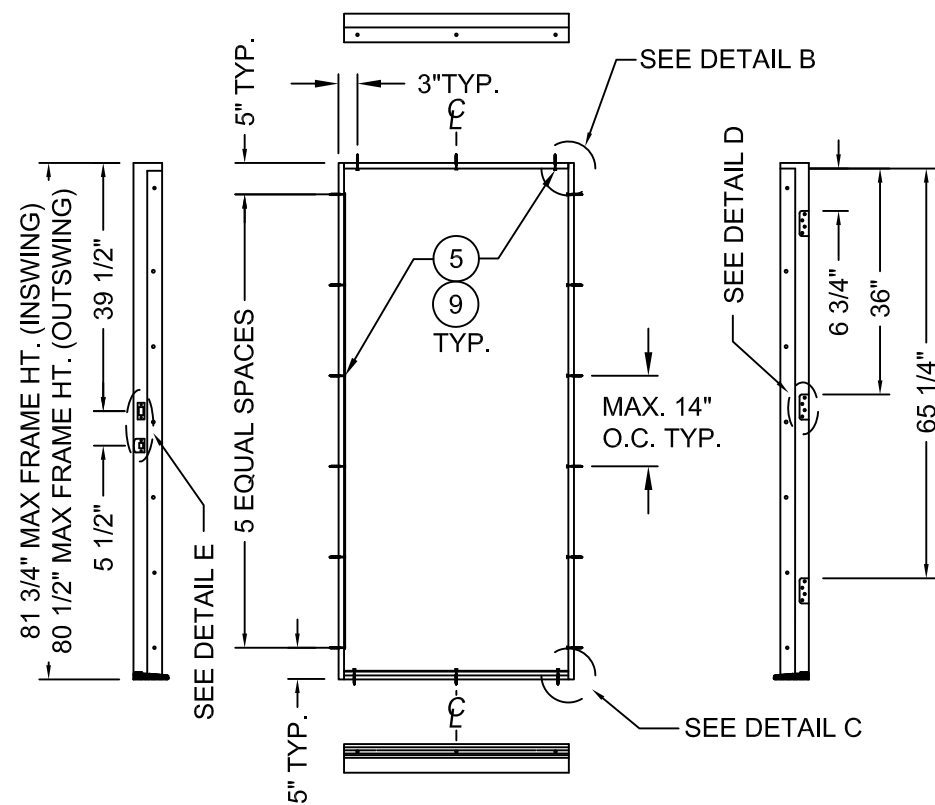
3/16" C-SINK.



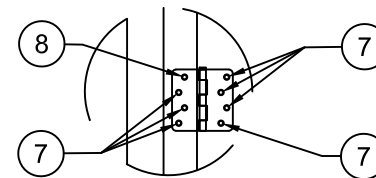
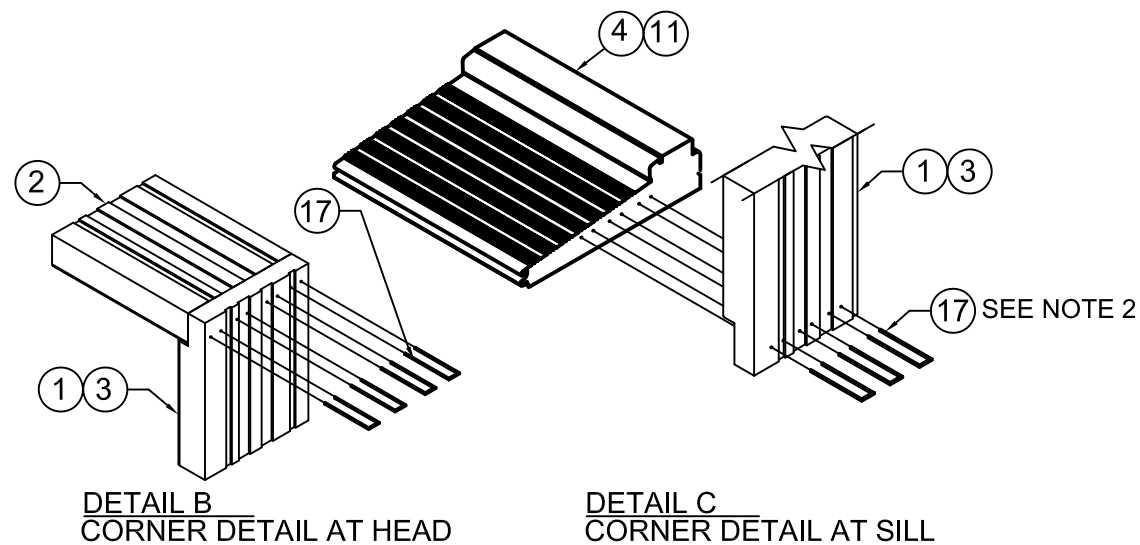
DETAIL - A
SCALE: 6" = 1'-0"

NOTE

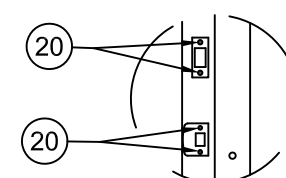
- 1 - USE #10 WOOD INSTALLATION SCREW W/ 1.50" MIN. EMBEDMENT WHEN INSTALLING INTO WOOD SUBSTRATE AT HEAD & JAMBS.
- 2 - USE 3/16" ITW TAPCON ANCHOR W/ 1 1/4" MIN. EMBED. WHEN INSTALLING INTO CONCRETE/MASONRY SUBSTRATE AT SIDELITE SILLS.
- 3 - SCREW AND TAPCON ANCHORS CAN BE EMBEDDED IN EITHER THE 1 1/4" OR 3/4" THICK PORTION OF THE JAMB AS LONG AS THE SUBSTRATE EMBEDMENT IS MAINTAINED.



ANCHORING LOCATIONS SINGLE
INSWING/OUTSWING UNIT (X)
SCALE: 3/8" = 1'-0"



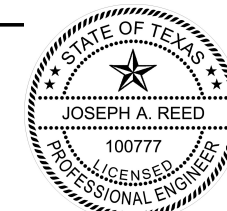
DETAIL - D
HINGE DETAIL



DETAIL - E
LATCH & DEADBOLT
STRIKE PLATES

NOTES:

- 1 - ANCHOR SPACING FOR BOTH INSWING & OUTSWING.
- 2- ONLY 2 STAPLES PER CORNER AT SILL FOR OUTSWING.



Joseph A. Reed

2021.12.08 13:02:35 -05'00'

JOSEPH A. REED, P.E.
Texas No. 100777
5 Leigh Drive
York, PA. 17406
(717) 846-1200

PRODUCT: FINISH/SLIDING
STEEL DOOR, WOOD EDGE
3-0x6-8 OPAQUE INSWING/OUTSWING
25GA. IMPACT DOOR SYSTEM
PART OR ASSEMBLY:

ANCHORING LOCATIONS
& DETAILS

NO.	DATE	BY	REVISIONS
C	08.24.17	JH	CHG'D CORE DEFIN.
B	11.19.14	SM	PE INFO UPDATED
A	12.01.11	JLA	2010 CODE CHANGE

DATE: 2/07/2021

SCALE: AS SHOWN

DWG. BY: G. LUBBECKE

CHK. BY: S. FREY

DRAWING NO.:

JW152009

SHEET 6 OF 7

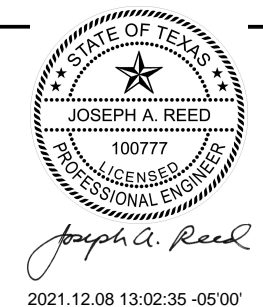
JELD-WEN, INC.
3737 LAKEPORT BLVD.
KLAMATH FALLS, OR, 97601
PH. 541-882-3451

JELD-WEN, INC.
 3737 LAKEPORT BLVD.
 KLAMATH FALLS, OR, 97601
 PH. 541-882-3451

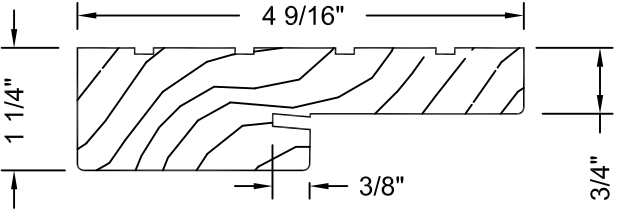
PRODUCT: FINISHIELD/GLADIATOR
 STEEL DOOR, WOOD EDGE
 3-0x6-8 OPAQUE INSWING/OUTSWING
 25GA. IMPACT DOOR SYSTEM
 PART OR ASSEMBLY:
 UNIT COMPONENTS

NO.	DATE	BY	REVISIONS
C	08.24.17	JH	CHG'D CORE DEFIN.
B	11.19.14	SM	PE INFO UPDATED
A	12.01.11	JLA	2010 CODE CHANGE

DATE: 12/07/2021
 SCALE: AS NOTED
 DWG. BY: G.LUBBECKE
 CHK. BY: S. FREY
 DRAWING NO.: JW152009
 SHEET 7 OF 7

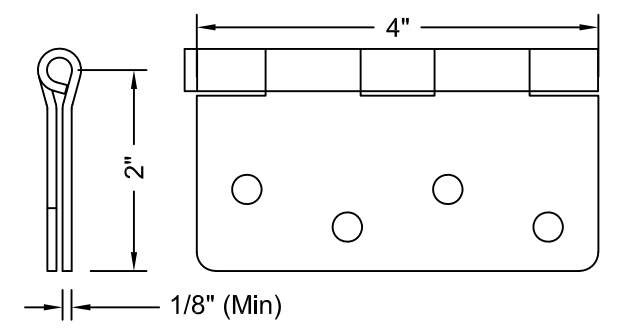


JOSEPH A. REED, P.E.
 Texas No. 100777
 5 Leigh Drive
 York, PA. 17406
 (717) 846-1200

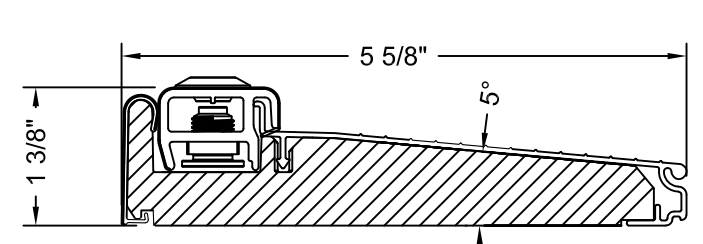


1 WOOD JAMB FINGERJOINTED PINE
 SCALE: 6" = 1'-0"

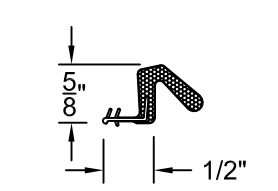
2
 3



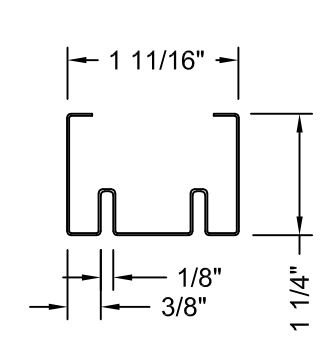
6 BUTT HINGE 4x4x12 GA. STEEL
 SCALE: 6" = 1'-0"



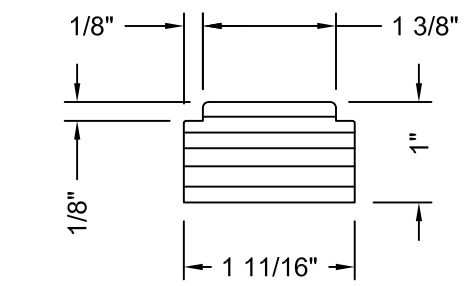
11 INSWING THRESHOLD
 6063 T5 AL AND COMPOSITE
 SCALE: 6" = 1'-0"



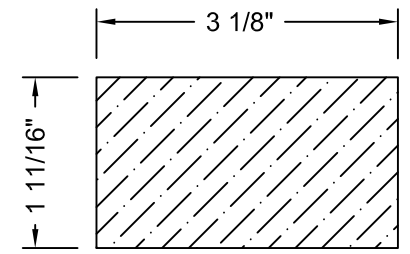
10 COMPRESSION WEATHERSTRIP
 FOAM
 SCALE: 6" = 1'-0"



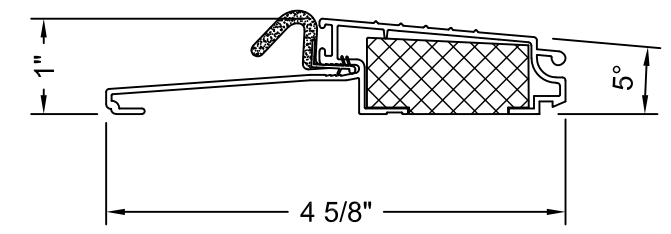
13 BOTTOM RAIL
 25 GA. STEEL
 SCALE: 6" = 1'-0"



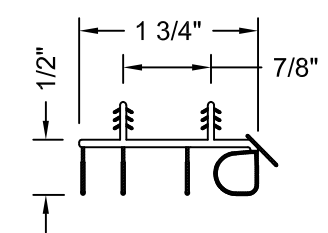
12 LATCH STILE
 14 TOP RAIL
 15 HINGE STILE
 LAMINATED VENEER LUMBER (LVL)
 SCALE: 6" = 1'-0"



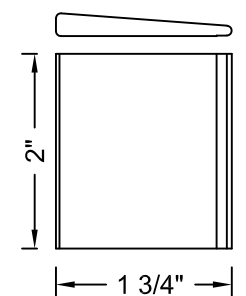
16 LOCK BLOCK
 FINGERJOINTED PINE
 SCALE: 6" = 1'-0"



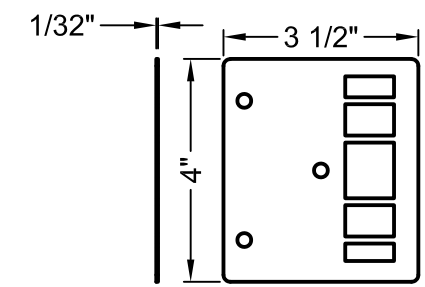
4 OUTSWING THRESHOLD
 6063 T5 AL AND COMPOSITE
 SCALE: 6" = 1'-0"



25 DOOR BOTTOM SWEEP
 VINYL
 SCALE: 6" = 1'-0"



26 CORNER PADS
 PLASTIC
 SCALE: 6" = 1'-0"



28 LATCH PLATE
 STEEL
 SCALE: 6" = 1'-0"