

JELD-WEN®
ENERGY SAVER/CONTOUR, FULL LITE,
WOOD EDGE 5-4 X 8-0 (O/OXO)
INSWING/OUTSWING
24 GA. STEEL NON-IMPACT DOOR SYSTEM

GENERAL NOTES

1. THE PRODUCT SHOWN HEREIN IS DESIGNED TO COMPLY WITH THE 2018 INTERNATIONAL BUILDING CODE (IBC), THE 2018 INTERNATIONAL RESIDENTAL CODE (IRC) AND THE TEXAS REVISIONS. PRODUCT HAS BEEN TESTED TO ASTM E330-02, E331-00, E283-04 & AAMA 1304-2. DOOR SYSTEMS HAVING SIDELITE/TRANSOM COMBINATIONS RATE AT WINDZONE (WD) 3.
2. 2X AND 1X WOOD BUCKS BY OTHERS, MUST BE ANCHORED PROPERLY TO TRANSFER LOADS TO THE STRUCTURE.
3. PRODUCT ANCHORS SHALL BE AS LISTED AND SPACED AS SHOWN ON DETAILS. ANCHOR EMBEDMENT TO BASE MATERIAL SHALL BE BEYOND WALL DRESSING OR STUCCO.
4. FOR DESIGN PRESSURE RATING SEE TABLE I, SHEET 1.
5. SCALE BASED ON 11x17 SHEET SIZE.
6. ALL 1X & 2X TO BE 0.55 SPECIFIC GRAVITY OR GREATER.
7. FLORIDA APPROVED IMPACT RESISTANT SHUTTERS ARE REQUIRED ON ALL UNITS WHERE RELEVANT.
8. WHERE WATER INFILTRATION IS REQ'D, UNIT SHALL BE INSTALLED AT LOCATION PROTECTED BY OVERHANG SUCH THAT OVERHANG(OH) RATIO = OH LENGTH/OH HEIGHT IS EQUAL TO OR GREATER THAN 1.0.

DOOR LEAF CONSTRUCTION:

FACE SHEETS: THE FACE SHEETS ARE GLUED TO THE CORE AND SUBSTRATE WITH LMC ADHESIVE.

CORE DESIGN: DOOR CORE BY JELD-WEN.

PANEL CONSTRUCTION: EACH DOOR PANEL IS CONSTRUCTED FROM TWO SHEETS OF 24-GAUGE (.021" MIN) GALVANIZED STEEL. THE AVERAGE MIN. YIELD STRENGTH OF 24 GA SHEET METAL SKIN IS 40,300 psi. THE FACE SHEETS ARE BENT 90° OVER THE 1.688" X 1.0" LVL (LAMINATED VENEER LUMBER) STILES AND TOP RAIL. THE 1.688" X 1.203" BOTTOM RAIL CONSISTS OF ROLLED-FORMED GALVANIZED 25-GAUGE (.018" MIN) STEEL. THE LOCK BLOCK IS 1.688" X 3 1/8" X 12" FINGER JOINTED PINE. INSULATED GLAZING CONSISTS OF TWO 0.125" TEMPERED GLASS PANES SEPARATED BY A 0.25" AIR SPACE. ODL LITE FRAME MEETING STEEL SKIN RECEIVES DOW 1199 SILICONE OR EQUIVALENT.

SIDELITE CONSTRUCTION: EACH SIDELITE IS CONSTRUCTED THE SAME AS A DOOR PANEL, INCLUDING CORE DESIGN, BUT EXCLUDING THE WOOD LOCK BLOCK. INSULATED GLAZING CONSISTS OF TWO 0.125" TEMPERED GLASS PANES SEPARATED BY A 0.25" AIR SPACE.

FRAME CONSTRUCTION: THE FRAME JAMBS AND HEAD ARE CONSTRUCTED OF WOOD. THE OUTSWING SILL IS COMPRISED OF COMPOSITE MATERIAL WITH ALUMINUM CLADDING. THE INSWING SILL IS COMPRISED OF A COMPOSITE MATERIAL WITH AN ALUMINUM CLADDING AND A PLASTIC ADJUSTABLE HEIGHT THRESHOLD. ALL BOTTOM FRAME CORNERS ARE COPED, BUTTED, SEALED USING SILICONE AND FASTENED USING THREE 16 GA. 7/16" X 2" LONG STAPLES AND ONE #8X2 FH WOOD SCREW PER CORNER. INSWING SYSTEMS HAVE A #8X2 FH WOOD SCREW IN EACH SILL/JAMB CORNER ANGLED FROM SILL INTO THICK PORTION OF JAMB. TOP FRAME CORNERS ARE COPED, BUTTED, SEALED USING SILICONE AND FASTENED USING FOUR 16 GA. 7/16" X 2" LONG STAPLES AND ONE #8X2 FH WOOD SCREW PER CORNER. ALL FRAME JOINERY ARE SEALED AT THE EXTERIOR USING DOW 1199 SILICONE.

TRANSOM FRAME CONSTRUCTION: FRAME HEADS, SILLS AND JAMBS ARE MADE OF WOOD. THE FRAME CORNERS ARE JOINED USING RABBET JOINTS, SILICONE SEALANT AND FOUR 16GA X 7/16" X 2" LONG CROWN STAPLES THROUGH THE JAMB. THE MULLION TO DOOR/SIDELITE IS CREATED BY SANDWICHING SILICONE SEALANT BETWEEN THE JAMBS OF THE TWO FRAMES. 1" X 1/2" CORRUGATED NAILS ARE USED ON THE EXTERIOR SIDE TO FASTEN THE JAMBS TOGETHER AND #8 X 2" SCREWS ARE INSTALLED THROUGH JAMBS ON THE INTERIOR SIDE. A WOOD MULLION COVER IS THEN INSTALLED OVER THE ENTIRE LENGTH OF THE EXTERIOR JOINT, SEALED WITH SILICONE SEALANT AND HELD IN PLACE WITH 16GA X 7/16" X 2" STAPLES.

TRANSOM GLAZING: THE GLAZING CONSISTS OF 2 PIECES OF S.S. (0.087") ANNEALED GLASS AND ARE HELD IN PLACE BY THE SASH AND THE GLAZING CLIP. AN ALUMINUM SPACER BETWEEN THE GLASS PROVIDES A 0.50" AIR GAP.

- NOTES:
 1- ALL VIEWS FROM INTERIOR.
 2- MASONRY AND CONCRETE CONSTRUCTION.

TABLE OF CONTENTS	
SHT #	DESCRIPTION
1	GENERAL NOTES
2	INSWING ELEVATIONS
3	INSWING ELEVATIONS & BILL OF MATERIAL
4	INSWING VERTICAL CROSS SECTIONS
5	INSWING VERTICAL CROSS SECTIONS
6	INSWING HORIZONTAL CROSS SECTIONS
7	INSWING HORIZONTAL CROSS SECTIONS
8	OUTSWING ELEVATIONS
9	OUTSWING VERTICAL CROSS SECTIONS
10	OUTSWING VERTICAL CROSS SECTIONS
11	OUTSWING HORIZONTAL CROSS SECTIONS
12	OUTSWING HORIZONTAL CROSS SECTIONS
13	ANCHORING LOCATIONS
14	ANCHORING LOCATIONS
15	ANCHORING LOCATIONS & DETAILS
16	UNIT COMPONENTS

TABLE 1

DESIGN PRESSURE RATING		
		DESIGN PRESSURE RATING:
		SINGLE DOOR WITH & WITHOUT SIDELITE(S) AND/OR TRANSOM
INSWING	POSITIVE	+50
	NEGATIVE	-50
OUTSWING	POSITIVE	+50
	NEGATIVE	-50



Joseph A. Reed
 2021.04.21 11:43:24 -04'00'

Joseph A. Reed, PE
 Texas P.E. No. 100777
 National Certified Testing Laboratories
 5 Leigh Drive, York, PA 17406
 (717) 846-1200

JELD-WEN, INC.
 3737 LAKEPORT BLVD.
 KLAMATH FALLS, OR, 97601
 PH. 541-882-3451

PRODUCT:
 ENERGY SAVER/CONTOUR, FULL LITE,
 WOOD EDGE 5-4x8-0 (O/OXO)
 INSWING/OUTSWING 24GA. STEEL DOOR

PART OR ASSEMBLY:

GENERAL NOTES

NO.	DATE	BY	REVISIONS
B	01-24-20	ADD ADA THRSOLD	
A	8-17-17	CHANGED CORE	

DATE: 12/31/09

SCALE: 1/2" = 1'

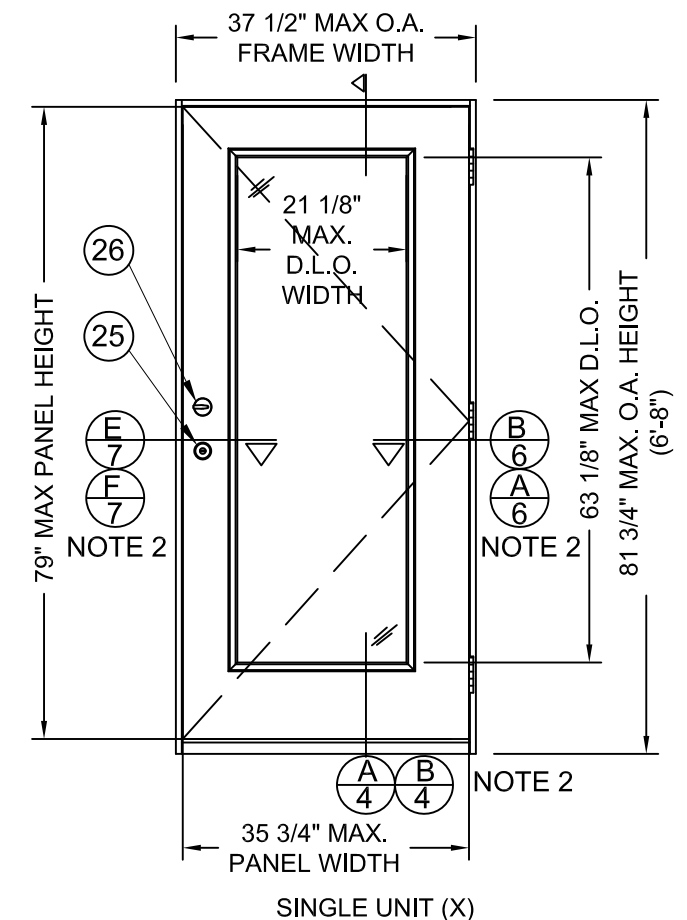
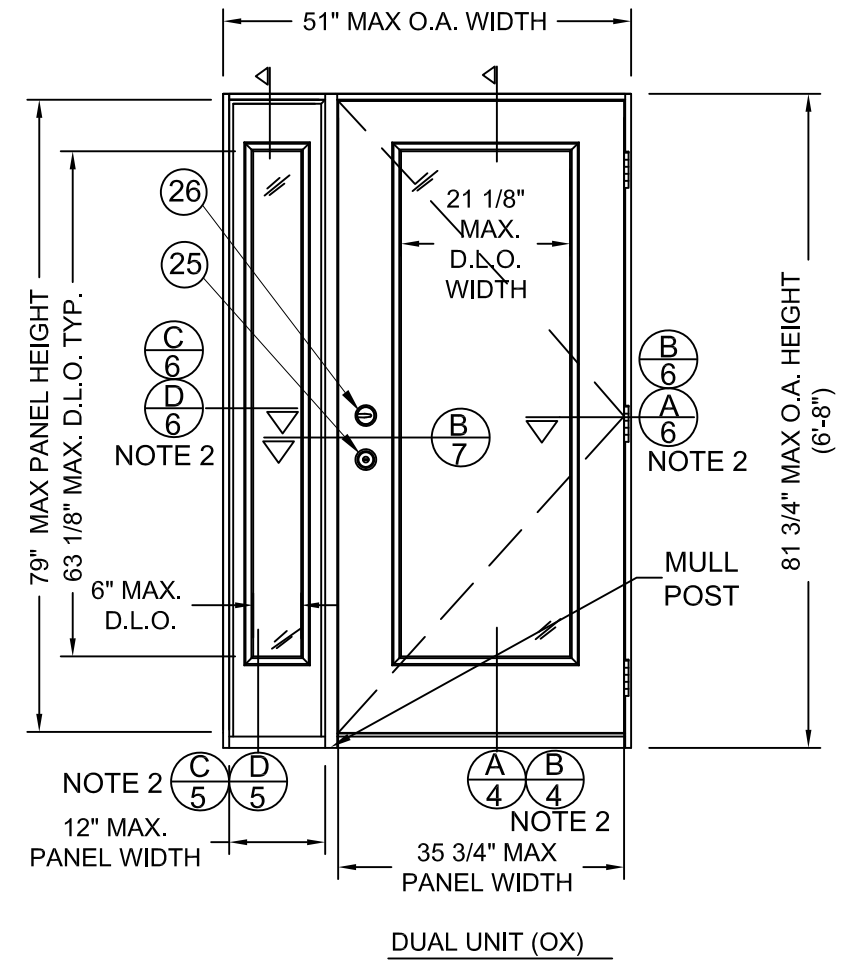
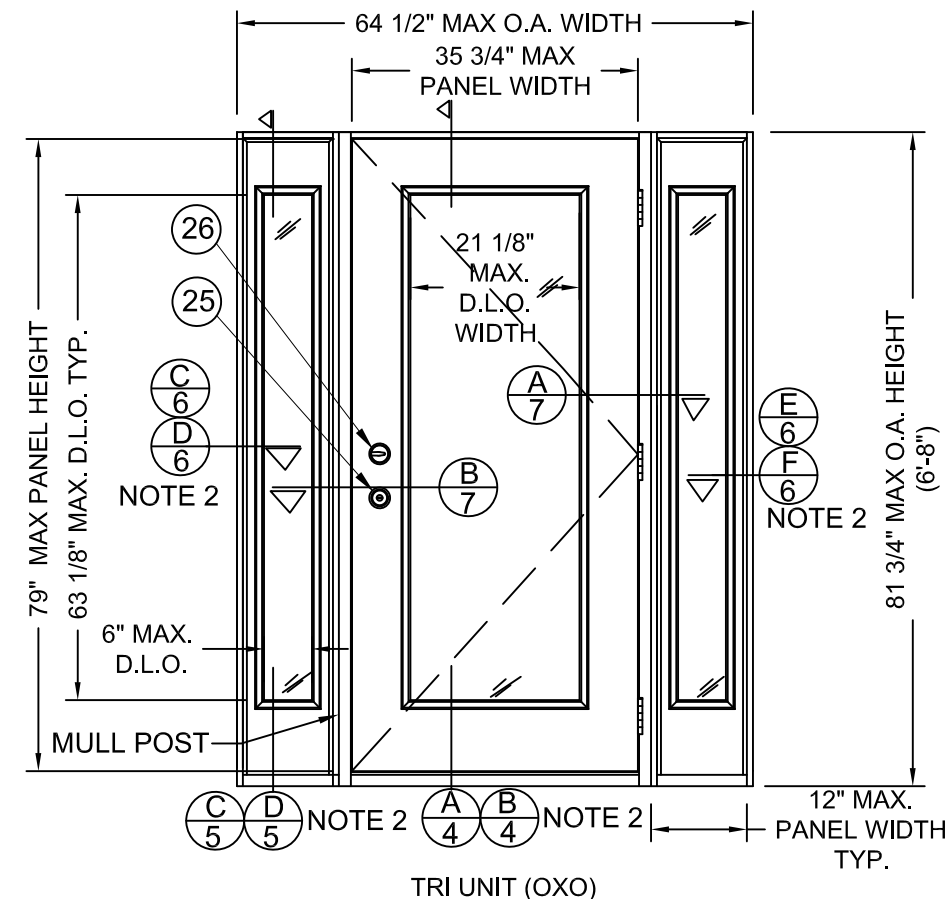
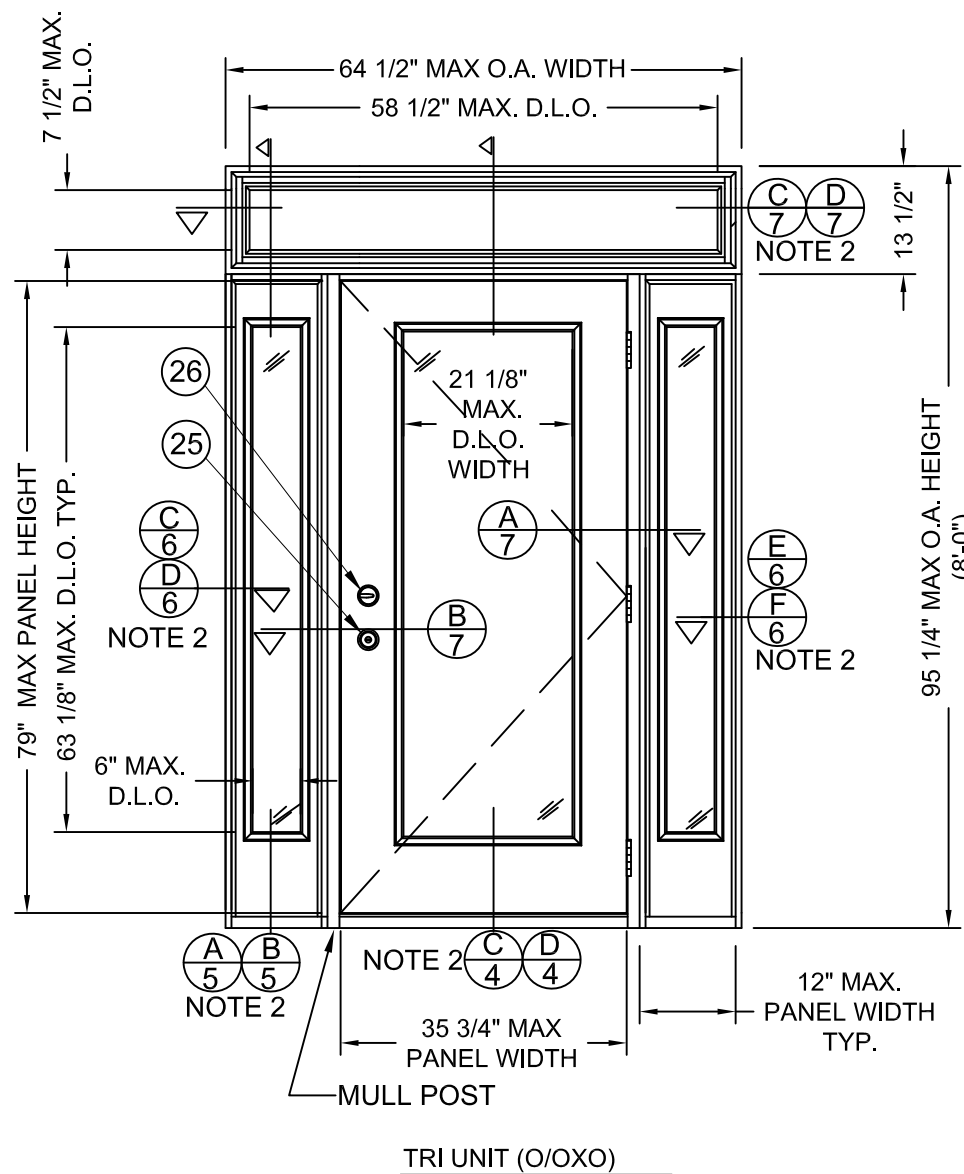
DWG. BY: G. LUBBECKE

CHK. BY: S. FREY

DRAWING NO.:

JW172009

SHEET 1 OF 16



NOTES:
 1- ALL VIEWS FROM INTERIOR.
 2- MASONRY AND CONCRETE CONSTRUCTION.



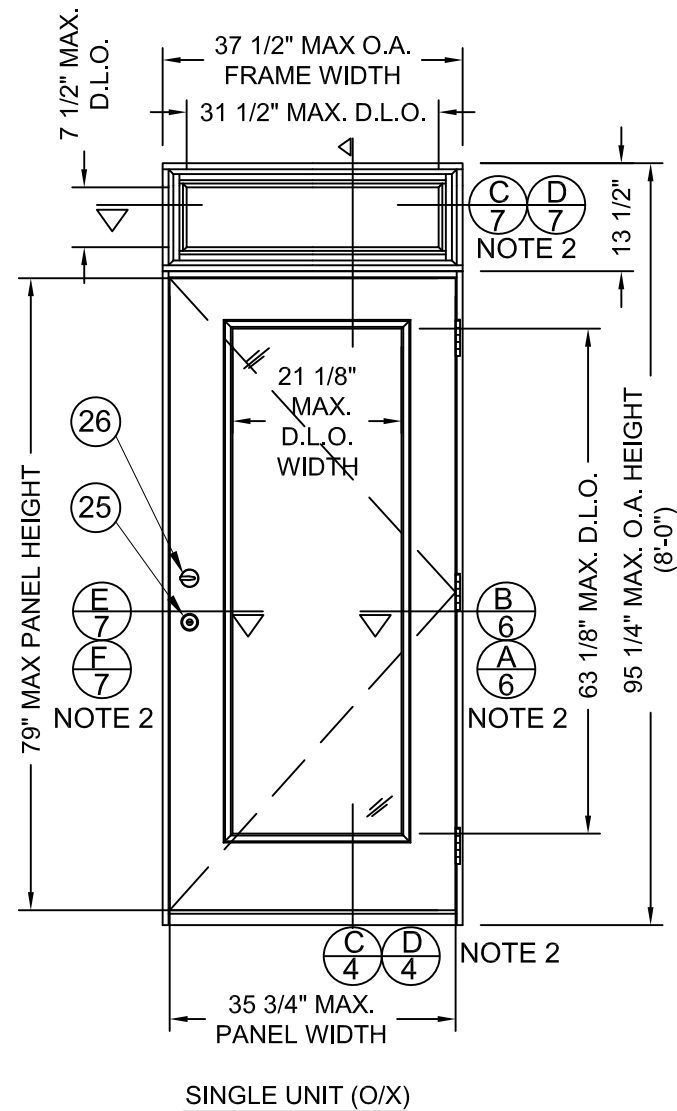
Joseph A. Reed, PE
 Texas P.E. No. 100777
 National Certified Testing Laboratories
 5 Leigh Drive, York, PA 17406
 (717) 846-1200

JELD-WEN, INC.
 3737 LAKEPORT BLVD.
 KLAMATH FALLS, OR, 97601
 PH. 541-882-3451

PRODUCT:
 ENERGY SAVER/CONTOUR, FULL LITE,
 WOOD EDGE 5-4x8-0 (O/OXO)
 INSWING/OUTSWING 24GA. STEEL DOOR
 PART OR ASSEMBLY:
 INSWING ELEVATIONS

NO.	DATE	BY	REVISIONS
B	01-24-20	TB	ADD ADA THRESHOLD
A	8-17-17	JH	CHANGED CORE

DATE: 12/31/09
 SCALE: 1/2" = 1'
 DWG. BY: G.LUBBECKE
 CHK. BY: S. FREY
 DRAWING NO.: JW172009
 SHEET 2 OF 16



Item	DESCRIPTION	Material
1	HINGE JAMB (1 1/4" X 4-9/16" FINGERJOINTED PINE)	PINE
2	HEAD JAMB (1 1/4" X 4-9/16" FINGERJOINTED PINE)	PINE
3	LATCH JAMB (1-1/4" X 4-9/16" FINGERJOINTED PINE)	PINE
4	SIDELITE JAMB (1-1/4" X 4-9/16" FINGERJOINTED PINE)	PINE
5	#10 PHILLIPS FLATHEAD WOOD SCREW WITH 1 1/2" MIN. EMBEDMENT	STEEL
6	4" X 4" BUTT HINGE 12GA. (.098" MIN)	STEEL
7	#9 X 3/4" PHILLIPS FLATHEAD WOOD SCREW	STEEL
8	#10 X 1 1/2" PHILLIPS FLATHEAD WOOD SCREW	STEEL
9	3/16" ITW BUILDDEX TAPCON WITH 1 1/4" MIN. EMBEDMENT	STEEL
10	COMPRESSION WEATHERSTRIP (QEBD-650)	FOAM
11	INSWING THRESHOLD.	ALUM./COMP
12	#8 X 2 1/2" PHILLIPS FLAT HEAD WOOD SCREW	STEEL
13	ITEM NOT USED	
14	#8 X 1" FLAT HEAD WOOD SCREW	STEEL
15	SIDELITE/FIXED PANEL SEAT, Z60 SERIES (ENDURA)	PLASTIC
16	TOP RAIL LAMINATED VENEER LUMBER (LVL)	LVL
17	BOTTOM RAIL 25GA. (0.018") GALVANIZED STEEL	STEEL
18	HINGE SIDE STILE LAMINATED VENEER LUMBER (LVL)	LVL
19	LATCH SIDE STILE LAMINATED VENEER LUMBER (LVL)	LVL
20	LOCK BLOCK 1-11/16" X 3-1/8" X 12 FINGERJOINTED PINE TREATED	PINE
21	ODL LIP-LITE FRAME	PLASTIC
22	1/2" O.A. INSULATED TEMPERED GLASS	GLASS
23	16 Ga. 7/16" CROWN X 2" LONG STAPLES	STEEL
24	CORRUGATED NAIL 1/2" X 1-1/16" 25 GA.	STEEL
25	LOCK SERIES 400	STEEL
26	DEADBOLT SERIES 660	STEEL
27	#8 X 2" PHILLIPS FLATHEAD WOOD SCREW	STEEL
28	2X WOOD BUCK GRADE 2 SOUTHERN YELLOW PINE	WOOD
29	NON-COMPRESSION SHIM	WOOD
30	DOOR CORE BY JELD-WEN	FOAM
31	STEEL DOOR PANEL SKIN MATERIAL A-525 COMMERCIAL QUALITY 0.021" MIN. THICK.)	STEEL
32	INSWING VINYL DOOR BOTTOM SWEEP	VINYL
33	CORNER PADS 2", LOCATED AT THE BOTTOM OF EACH JAMB LEG SETTING ON TOP OF THE SILL, BEHIND THE WEATHERSTRIP	FOAM
34	OUTSWING THRESHOLD	ALUM./COMP.
35	MULL POST, EDGE GLUED FINGERJOINTED PINE	PINE
36	ROUNDED SCOTIA	PLASTIC
37	SILICONE BEAD DOW 1199	SILICONE
38	JAMB, 1-1/4" X 4-9/16" FINGERJOINTED PINE	PINE
39	OUTSWING THRESHOLD	ALUM./COMP.
40	ITEM NOT USED	
41	OPTIONAL 1X WOOD BUCK GRADE 2 SOUTHERN YELLOW PINE	WOOD
42	11/16" O.A. W/ SINGLE STRENGTH (0.087") ANNEALED GLASS I.G.	GLASS
43	CORNER TRIM	PLASTIC
44	ALUMINUM GLAZING SPACER	AL./SEALANT
45	GLAZING CLIP	CELLULAR PVC
46	SASH	CELLULAR PVC
47	FLAT LITE KIT	ALUMINUM
48	ADA THRESHOLD	ALUMINUM

NOTES:
 1- ALL VIEWS FROM INTERIOR.
 2- MASONRY AND CONCRETE CONSTRUCTION.



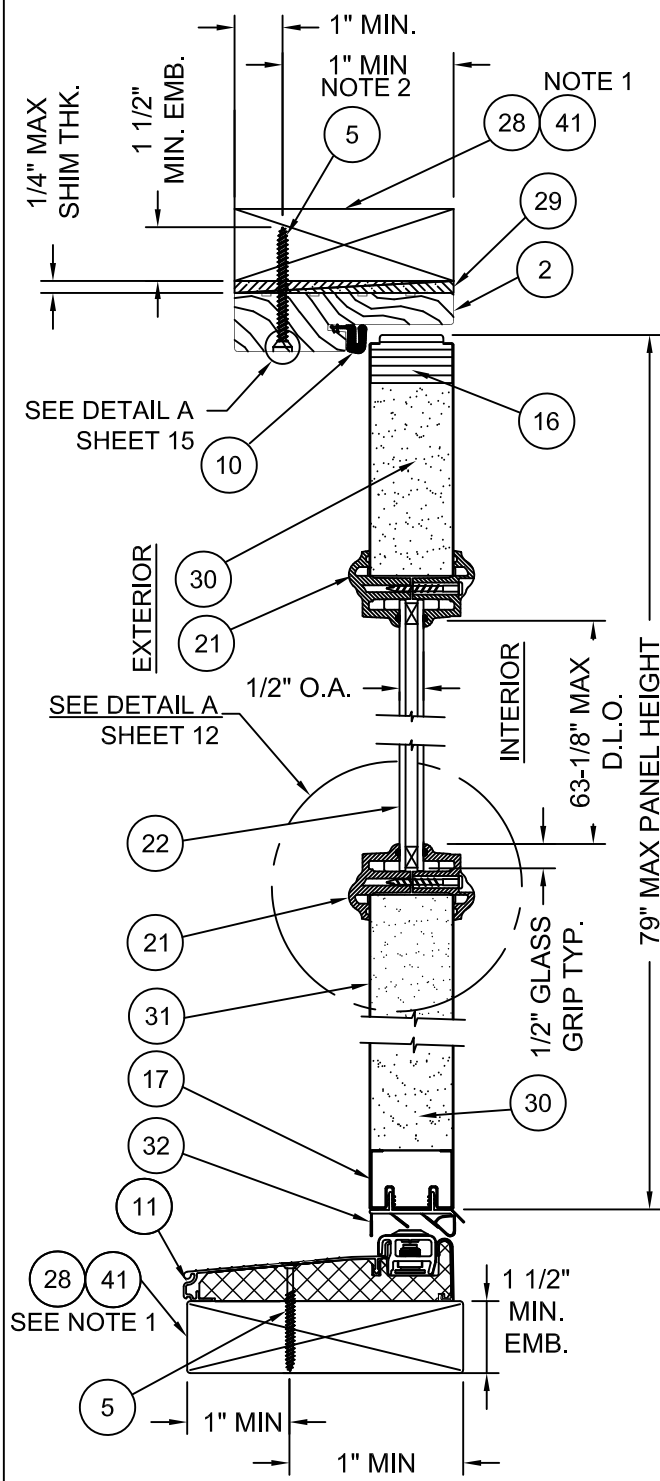
Joseph A. Reed, PE
 Texas P.E. No. 100777
 National Certified Testing Laboratories
 5 Leigh Drive, York, PA 17406
 (717) 846-1200

JELD-WEN, INC.
 3737 LAKEPORT BLVD.
 KLAMATH FALLS, OR, 97601
 PH. 541-882-3451

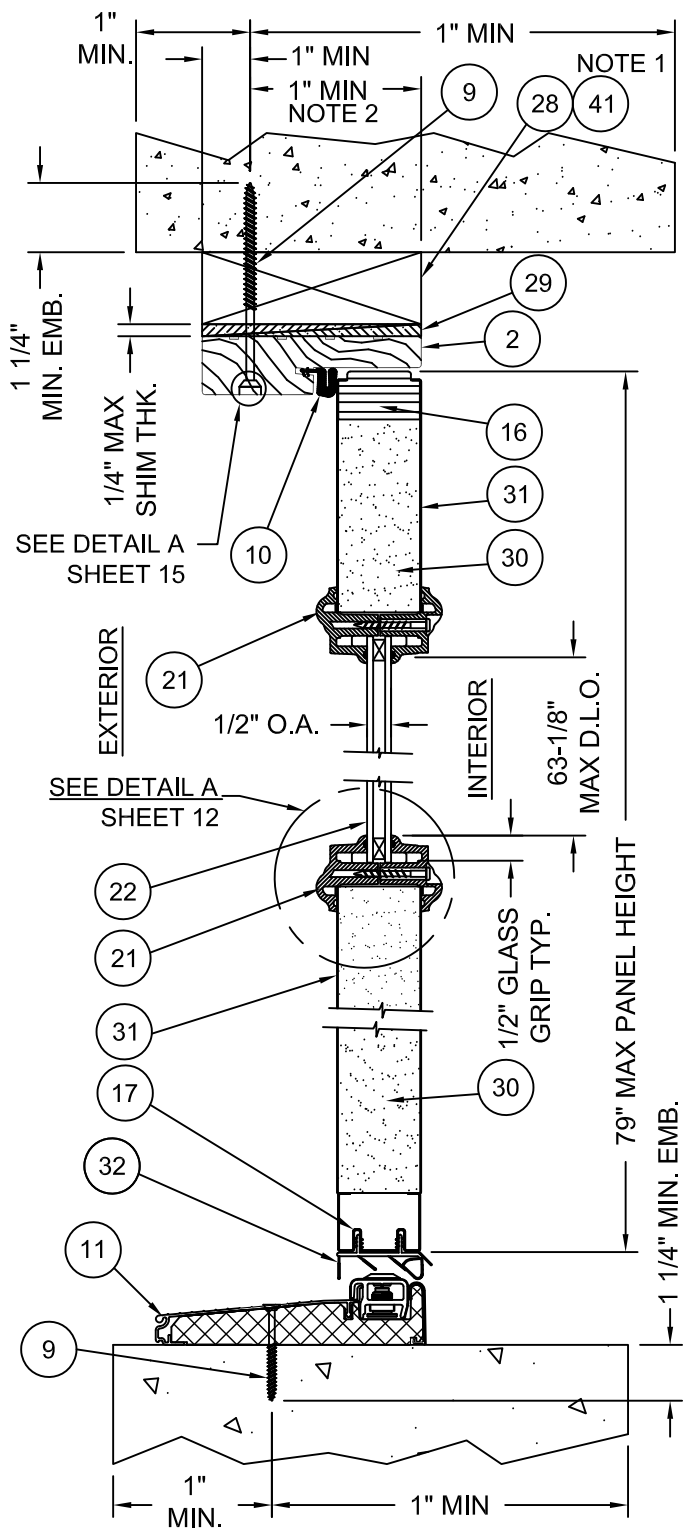
PRODUCT:
 ENERGY SAVER/CONTOUR, FULL LITE,
 WOOD EDGE 5-4x8-0 (O/OXO)
 INSWING/OUTSWING 24GA. STEEL DOOR
 PART OR ASSEMBLY:
 INSWING ELEVATIONS &
 BILL OF MATERIALS

NO.	DATE	BY	REVISIONS
B	01-24-20	TB	ADD ADA THRSOLD
A	8-17-17	JH	CHANGED CORE

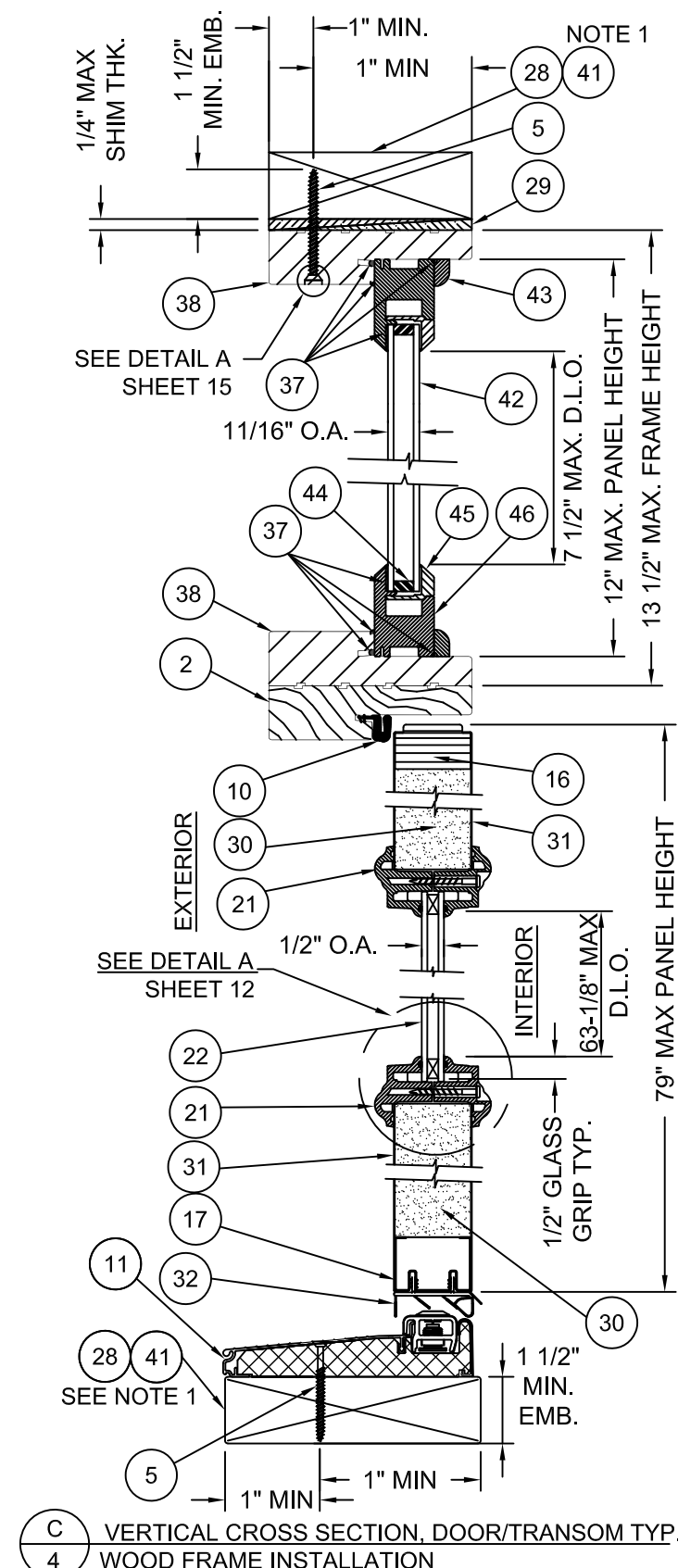
DATE: 12/31/09
 SCALE: 1/2" = 1'
 DWG. BY: G. LUBBECKE
 CHK. BY: S. FREY
 DRAWING NO.: JW172009
 SHEET 3 OF 16



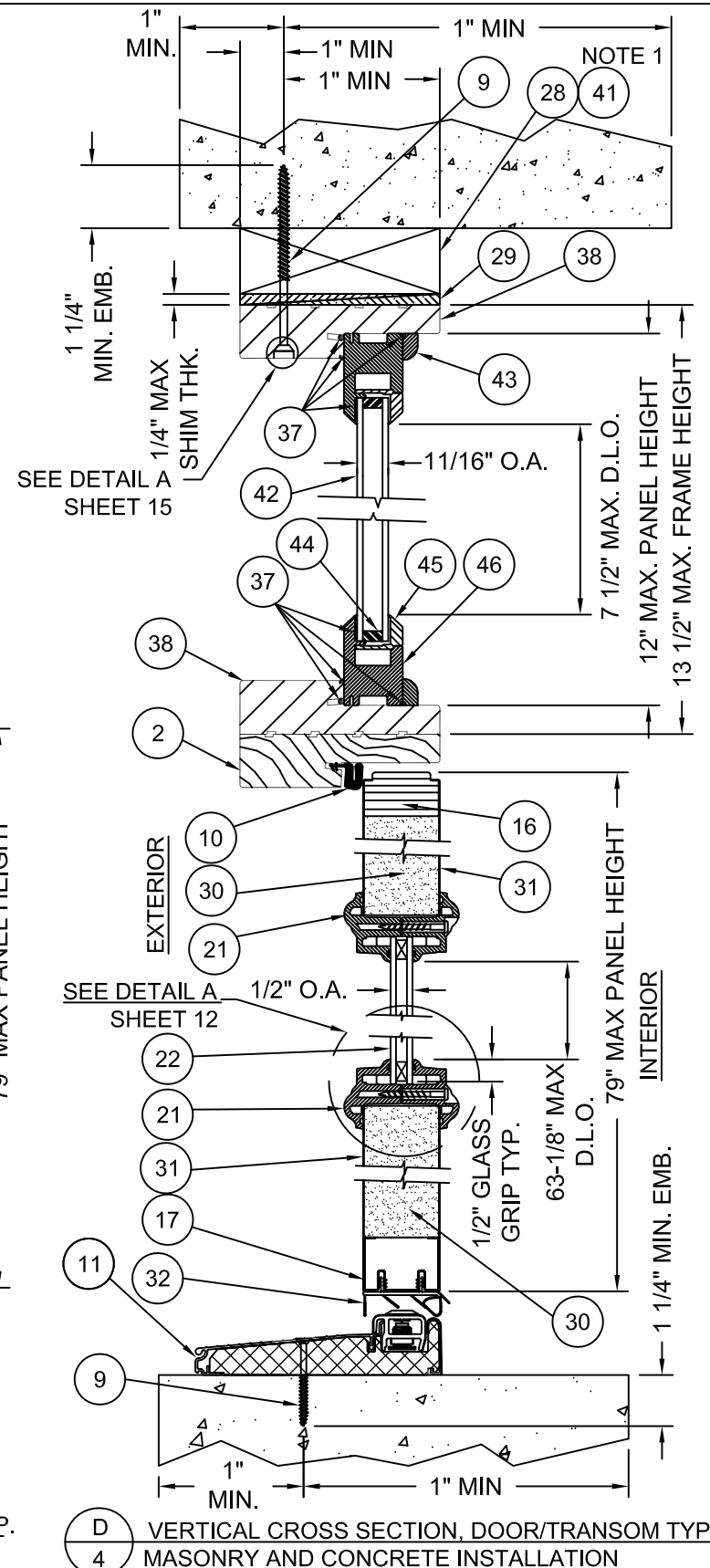
A VERTICAL CROSS SECTION, DOOR TYP. WOOD FRAME INSTALLATION



B VERTICAL CROSS SECTION, DOOR TYP. MASONRY AND CONCRETE INSTALLATION



C VERTICAL CROSS SECTION, DOOR/TRANSOM TYP. WOOD FRAME INSTALLATION



D VERTICAL CROSS SECTION, DOOR/TRANSOM TYP. MASONRY AND CONCRETE INSTALLATION

NOTE 1- 1X MAY BE UTILIZED AS AN OPTION AS LONG AS MINIMUM ANCHOR EMBEDMENT DEPTH, INTO MASONRY, CONCRETE, OR WOOD IS MAINTAINED.
 NOTE 2- OPTIONALLY, ANCHOR CAN BE PLACED IN NARROW SECTION OF HEAD OF JAMB.



2021.04.21 11:43:24 -04'00'

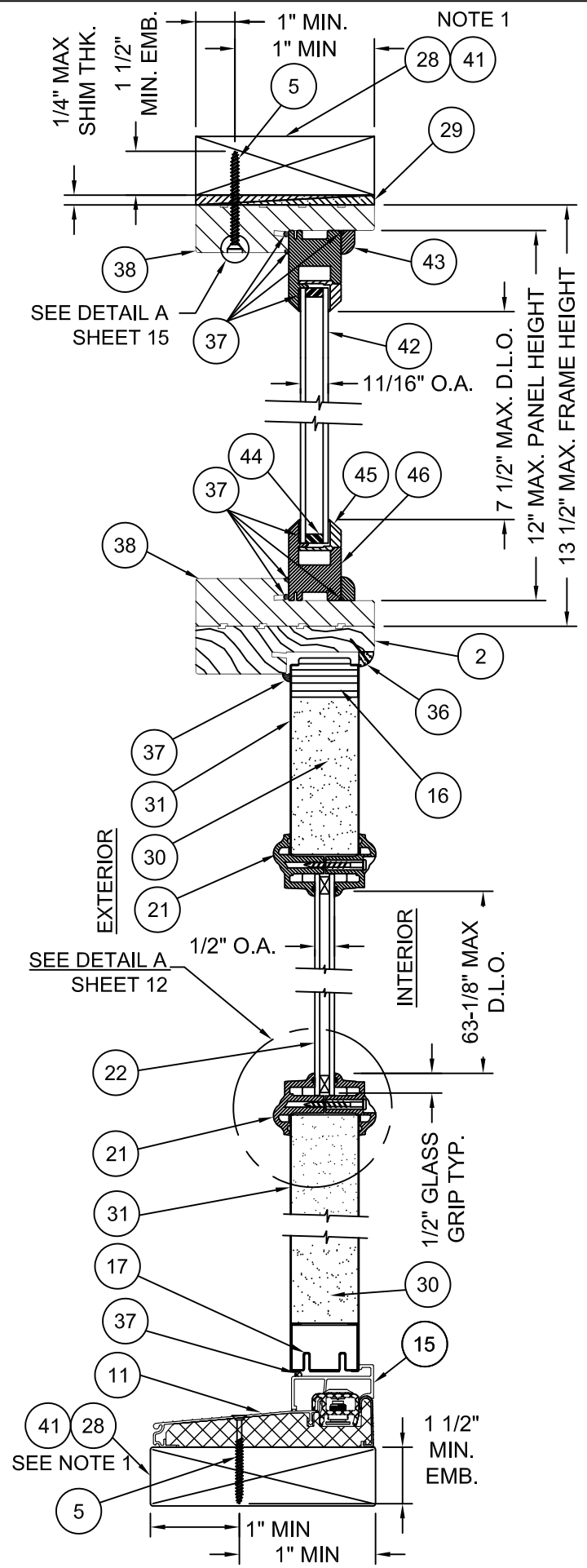
Joseph A. Reed, PE
 Texas P.E. No. 100777
 National Certified Testing Laboratories
 5 Leigh Drive, York, PA 17406
 (717) 846-1200

PRODUCT:
 ENERGY SAVER/CONTOUR, FULL LITE,
 WOOD EDGE 5-4x8-0 (O/OXO)
 INSWING/OUTSWING 24GA. STEEL DOOR
 PART OR ASSEMBLY:
 INSWING VERTICAL CROSS SECTIONS

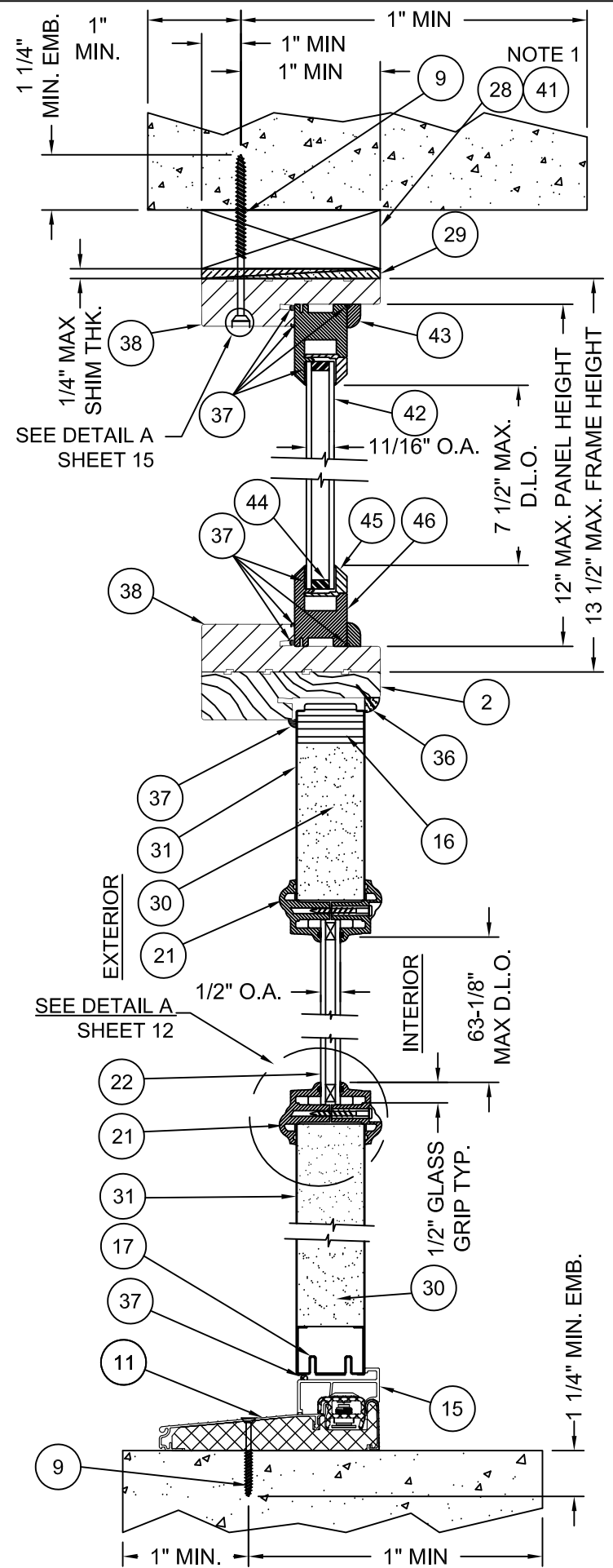
NO.	DATE	BY	REVISIONS
B	01-24-20	JH	ADD ADA THRESHLD
A	8-17-17	JH	CHANGED CORE

DATE: 12/31/09
 SCALE: 3" = 1'
 DWG. BY: G. LUBBECKE
 CHK. BY: S. FREY
 DRAWING NO.: JW172009
 SHEET 4 OF 16

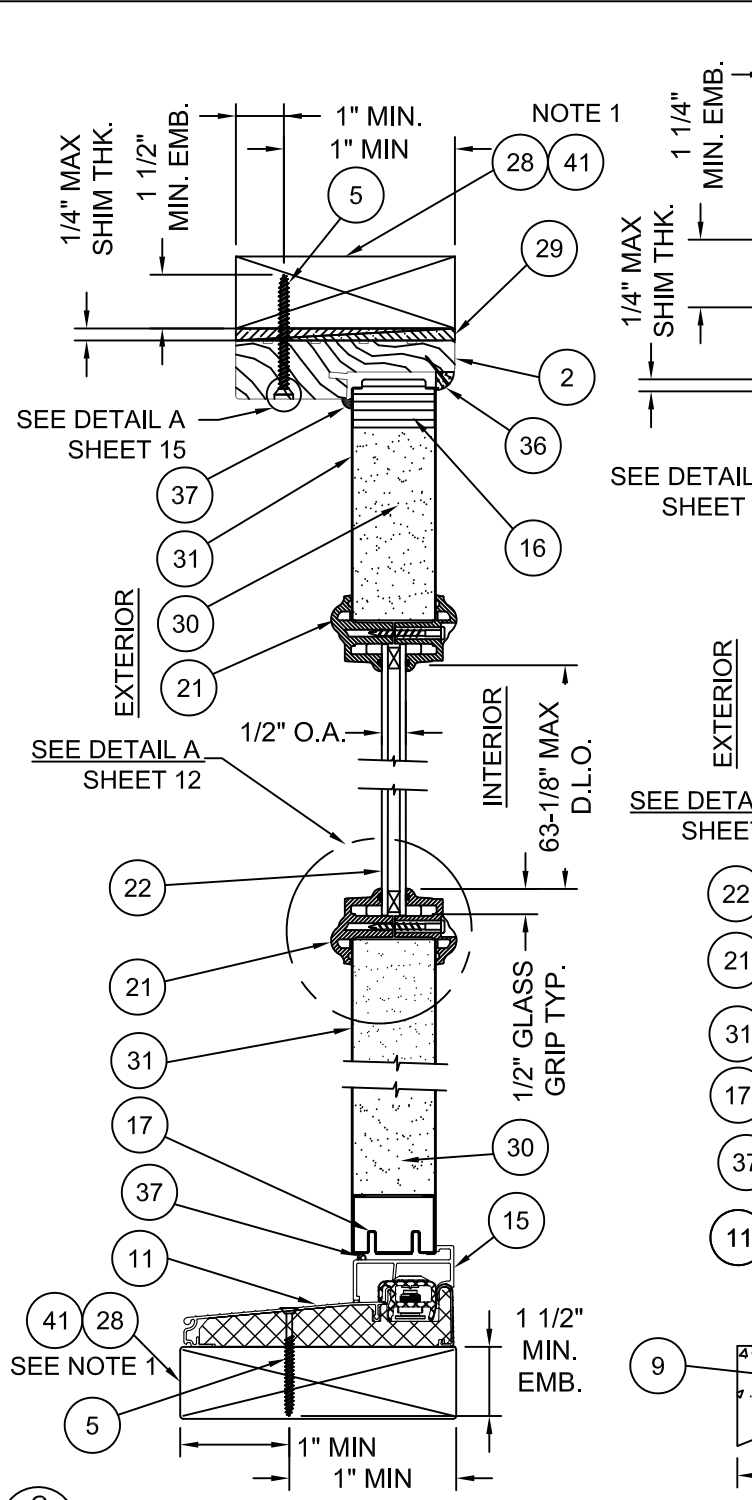
JELD-WEN, INC.
 3737 LAKEPORT BLVD.
 KLAMATH FALLS, OR, 97601
 PH. 541-882-3451



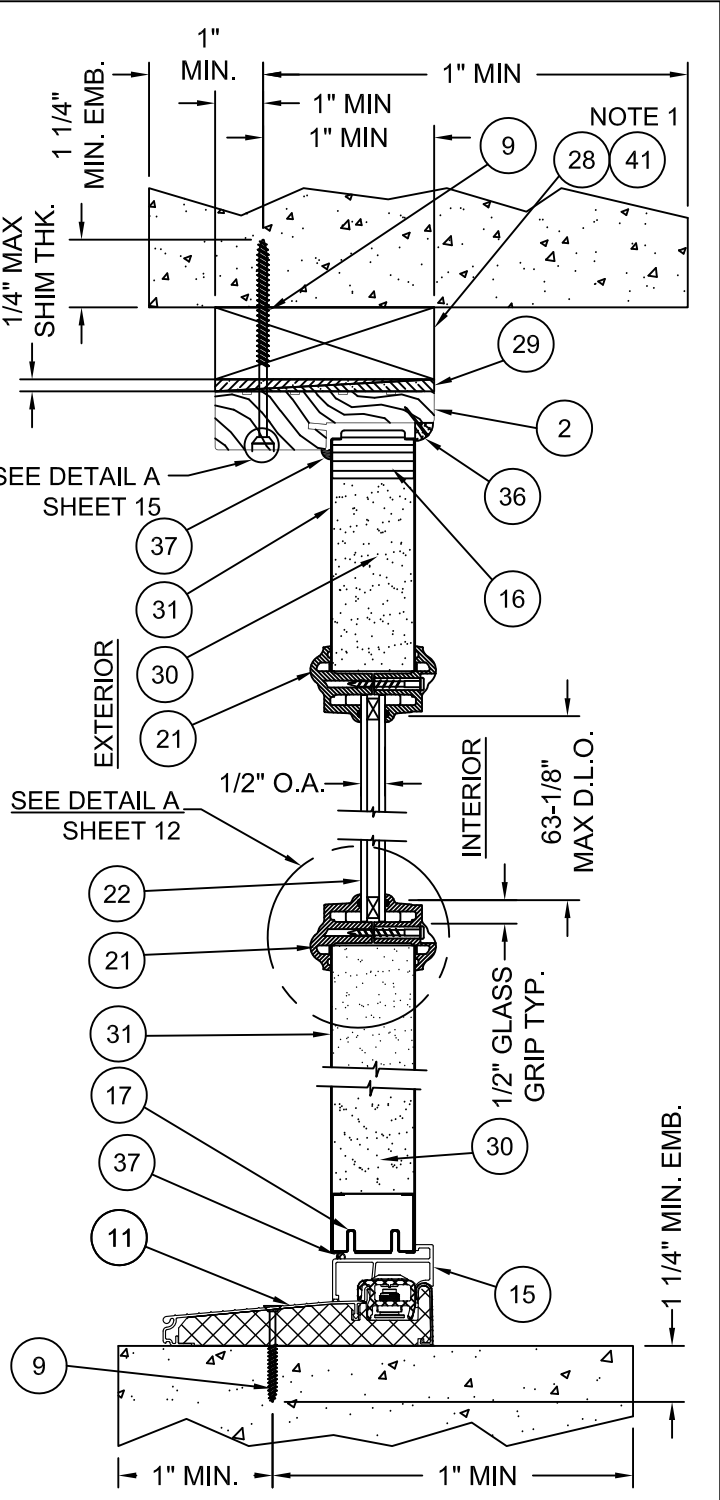
A VERTICAL CROSS SECTION SIDELITE /TRANSOM TYP.
5 WOOD FRAME INSTALLATION



B VERTICAL CROSS SECTION SIDELITE /TRANSOM TYP.
5 MASONRY AND CONCRETE INSTALLATION

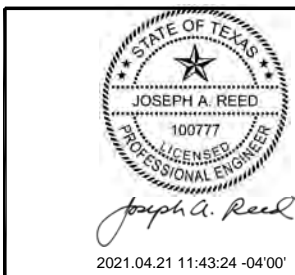


C VERTICAL CROSS SECTION SIDELITE TYP.
5 WOOD FRAME INSTALLATION



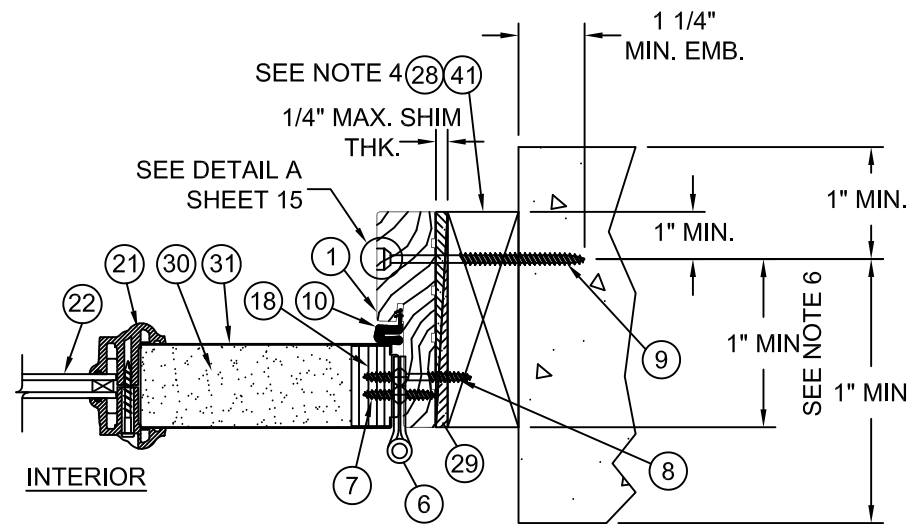
D VERTICAL CROSS SECTION SIDELITE TYP.
5 MASONRY AND CONCRETE INSTALLATION

NOTE 1- 1X MAY BE UTILIZED AS AN OPTION AS LONG AS MINIMUM ANCHOR EMBEDMENT DEPTH, INTO MASONRY, CONCRETE, OR WOOD IS MAINTAINED.

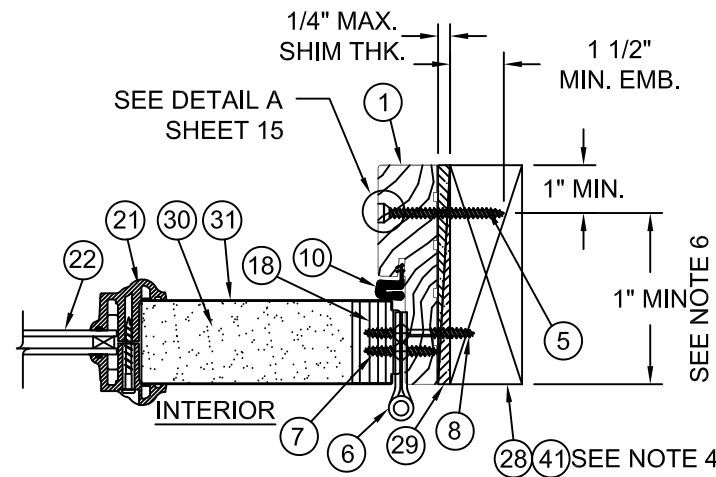


Joseph A. Reed, PE
 Texas P.E. No. 100777
 National Certified Testing Laboratories
 5 Leigh Drive, York, PA 17406
 (717) 846-1200

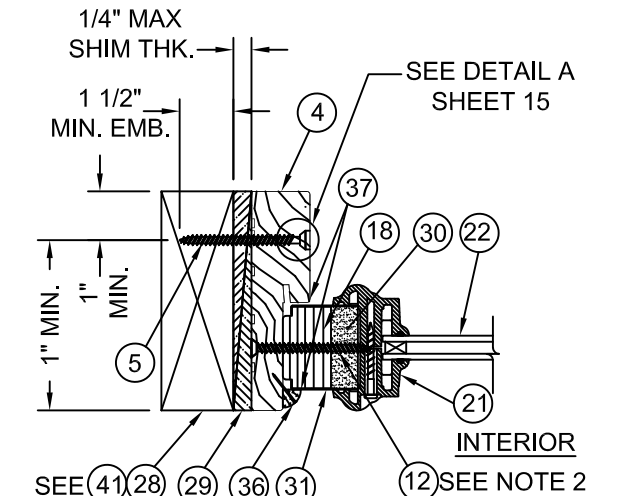
PRODUCT: ENERGY SAVER/CONTOUR, FULL LITE, WOOD EDGE 5-4x8-0 (O/OXO) INSWING/OUTSWING 24GA. STEEL DOOR PART OR ASSEMBLY: INSWING VERTICAL CROSS SECTIONS		JELD-WEN, INC. 3737 LAKEPORT BLVD. KLAMATH FALLS, OR, 97601 PH. 541-882-3451
DATE: 12/31/09 SCALE: 3" = 1' DWG. BY: G. LUBBECKE CHK. BY: S. FREY DRAWING NO.: JW172009 SHEET 5 OF 16	ADD ADA THRESHLD CHANGED CORE NO. DATE REVISIONS	TB JH BY



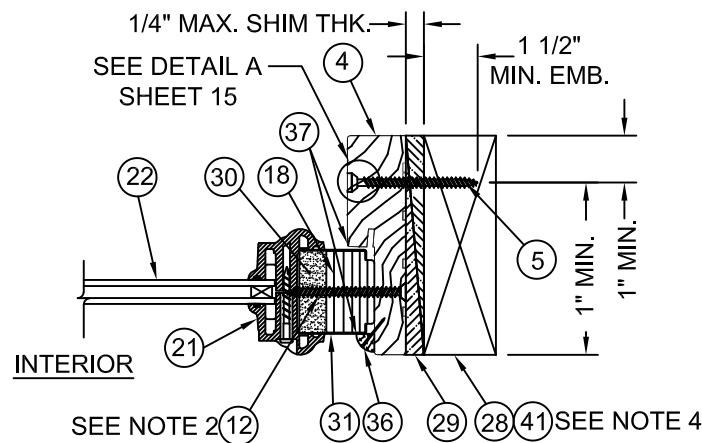
A
6 HORIZONTAL CROSS SECTION
VIEW AT DOOR HINGE/SIDE JAMB
(MASONRY AND CONCRETE INSTALL)



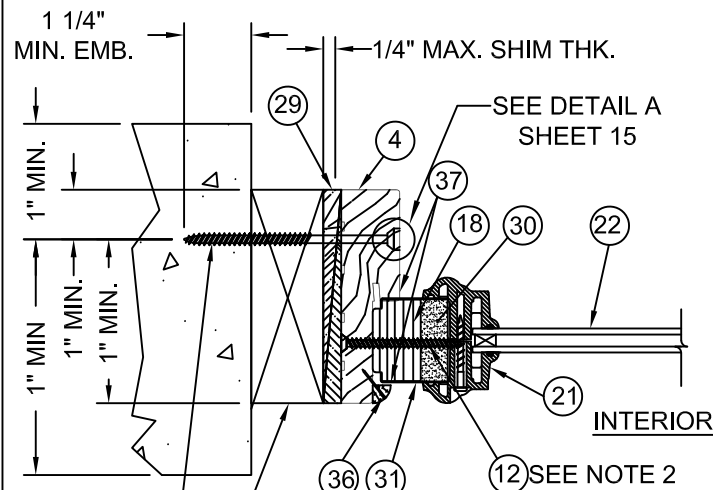
B
6 HORIZONTAL CROSS SECTION
VIEW AT DOOR LATCH/SIDE JAMB
(WOOD INSTALL)



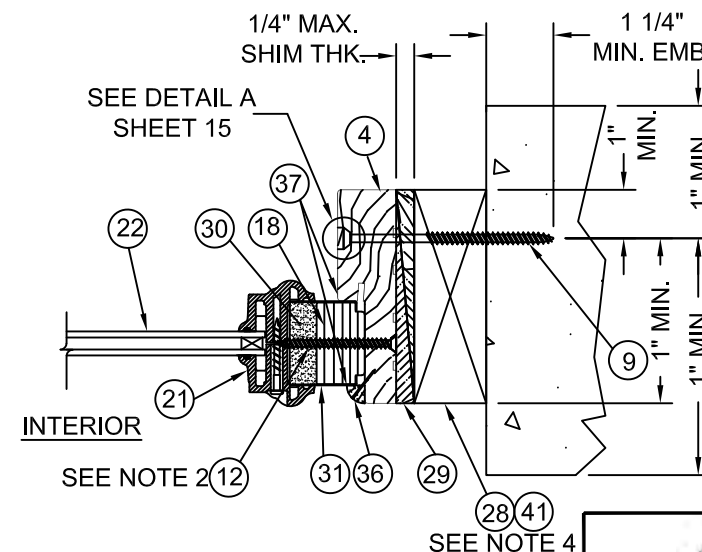
C
6 HORIZONTAL CROSS SECTION
VIEW AT FIXED PANEL/SIDE JAMB
(WOOD INSTALL)



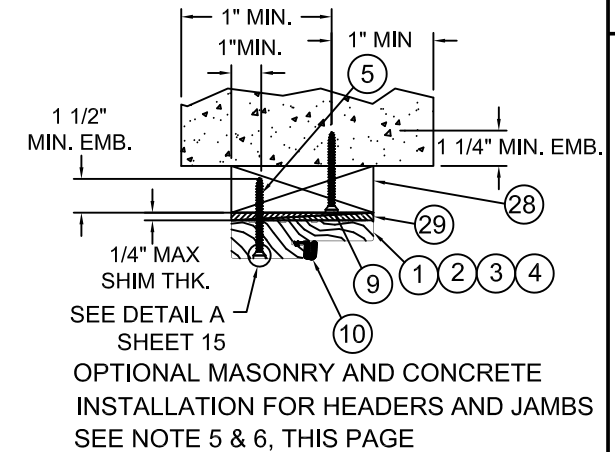
E
6 HORIZONTAL CROSS SECTION
VIEW AT FIXED PANEL/SIDE JAMB
(WOOD INSTALL)



D
6 HORIZONTAL CROSS SECTION
VIEW AT FIXED PANEL/SIDE JAMB
(MASONRY AND CONCRETE INSTALL)



F
6 HORIZONTAL CROSS SECTION
VIEW AT FIXED PANEL/SIDE JAMB
(MASONRY AND CONCRETE INSTALL)



- NOTES
- FOR ANCHOR SPACING, SEE SHEETS 13, 14 & 15.
 - SPACING FOR ITEM #12 FROM TOP DOWN: 6", 28-5/8", 50-7/8", 73-1/4".
 - ASTRAGAL SCREW SPACING FOR ITEM #14 FROM TOP DOWN: 1/2", 2", 3-1/2", 20", 24-3/4", 39".
 - 1X BUCK MAY BE UTILIZED AS AN OPTION AS LONG AS MIN. ANCHOR EMBEDMENT DEPTH, INTO MASONRY, CONCRETE, OR WOOD, IS MAINTAINED.
 - TAPCON (ITEM #9) ANCHOR SPACING SAME AS WOOD ANCHOR (ITEM #5) SPACING.
 - OPTIONALLY, ANCHOR CAN BE PLACED IN NARROW SECTION OF HEAD OR JAMB.



Joseph A. Reed
2021.04.21 11:43:24 -04'00'

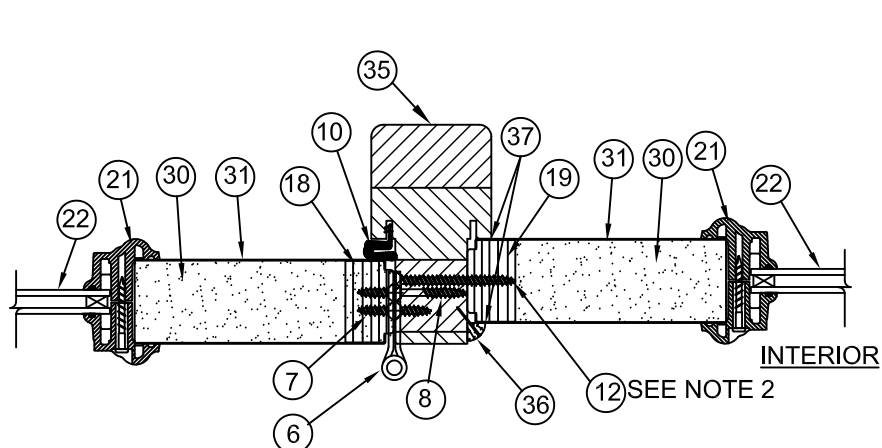
Joseph A. Reed, PE
Texas P.E. No. 100777
National Certified Testing Laboratories
5 Leigh Drive, York, PA 17406
(717) 846-1200

JELD-WEN, INC.
3737 LAKEPORT BLVD.
KLAMATH FALLS, OR, 97601
PH. 541-882-3451

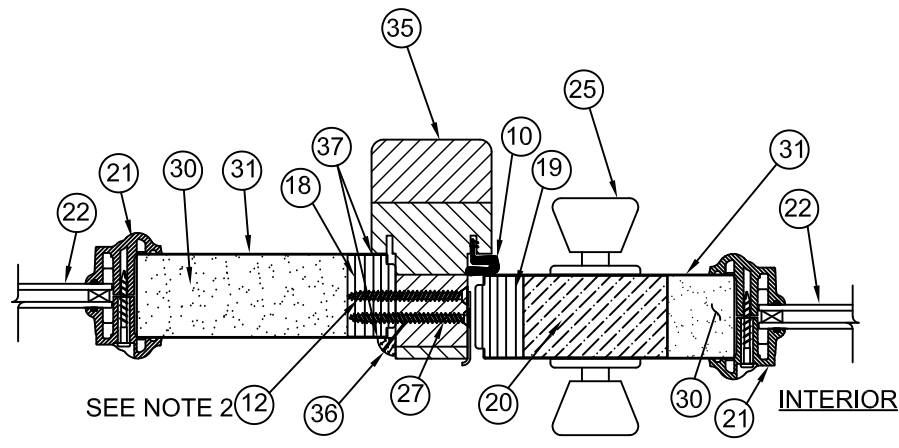
PRODUCT:
ENERGY SAVER/CONTOUR, FULL LITE,
WOOD EDGE 5-4x8-0 (O/OXO)
INSWING/OUTSWING 24GA. STEEL DOOR
PART OR ASSEMBLY:
INSWING HORIZONTAL CROSS SECTIONS

NO.	DATE	BY	REVISIONS
B	01-24-20	JH	ADD ADA THRESHOLD
A	8-17-17	JH	CHANGED CORE

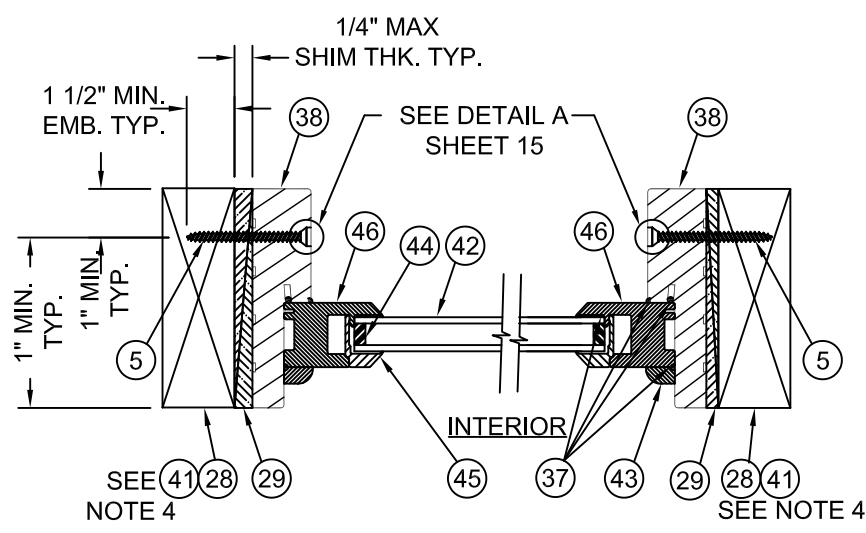
DATE: 12/31/09
SCALE: 3" = 1'
DWG. BY: G. LUBBECKE
CHK. BY: S. FREY
DRAWING NO.: JW172009
SHEET 6 OF 16



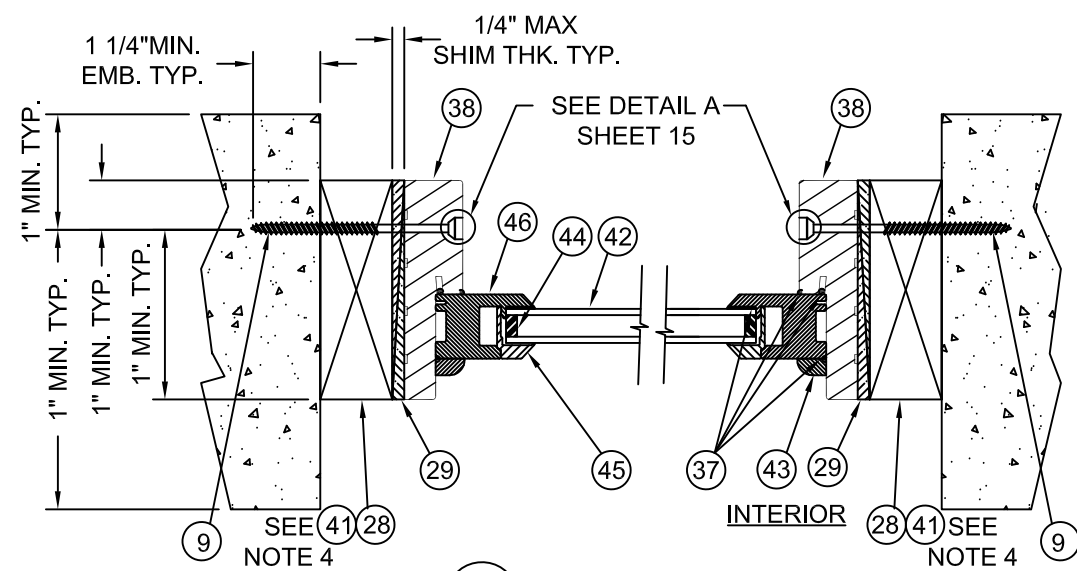
A
7 HORIZONTAL CROSS SECTION
VIEW AT HINGED PANEL/SIDE LITE AT MULLION



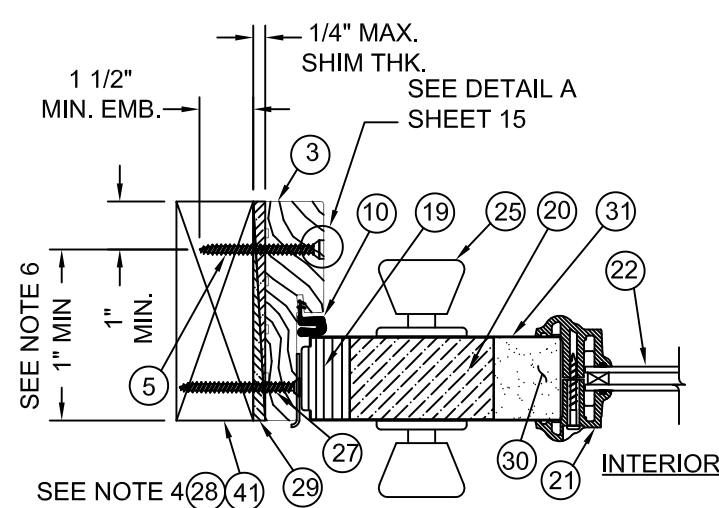
B
7 HORIZONTAL CROSS SECTION
VIEW AT FIXED PANEL/DOOR LATCH AT MULLION



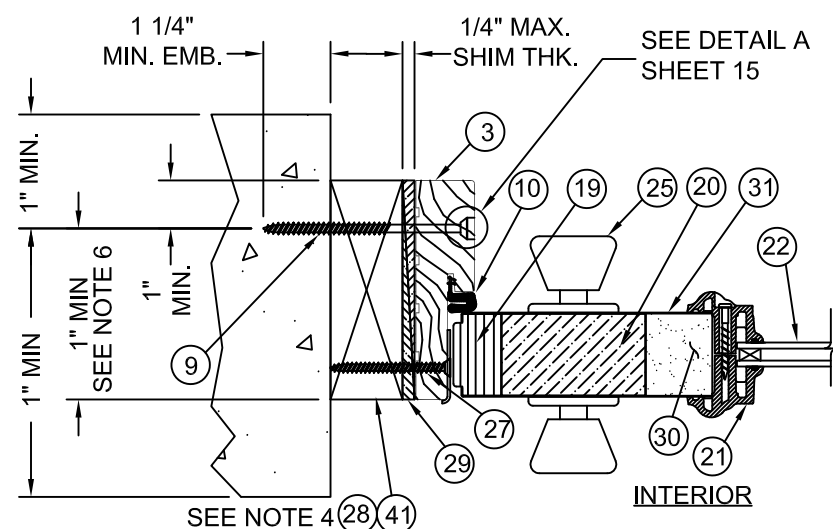
C
7 HORIZONTAL CROSS SECTION
VIEW AT FIXED TRANSOM
(WOOD INSTALL)



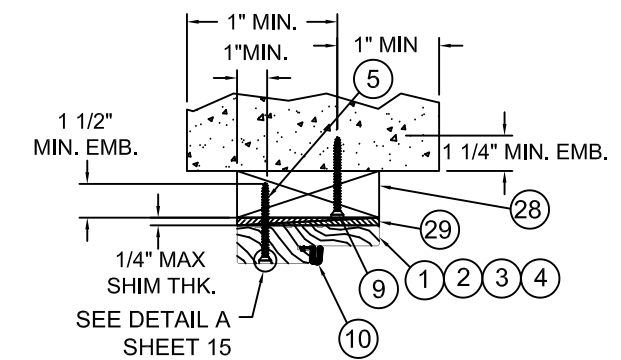
D
7 HORIZONTAL CROSS SECTION
VIEW AT FIXED TRANSOM
(MASONRY AND CONCRETE INSTALL)



E
7 HORIZONTAL CROSS SECTION
VIEW AT DOOR LATCH/SIDE JAMB
(WOOD INSTALL)



F
7 HORIZONTAL CROSS SECTION
VIEW AT DOOR LATCH/SIDE JAMB
(MASONRY AND CONCRETE INSTALL)



OPTIONAL MASONRY AND CONCRETE INSTALLATION
FOR HEADERS AND JAMBS
SEE NOTE 5 & 6, THIS PAGE



Joseph A. Reed, PE
Texas P.E. No. 100777
National Certified Testing Laboratories
5 Leigh Drive, York, PA 17406
(717) 846-1200

2021.04.21 11:43:24 -04'00'

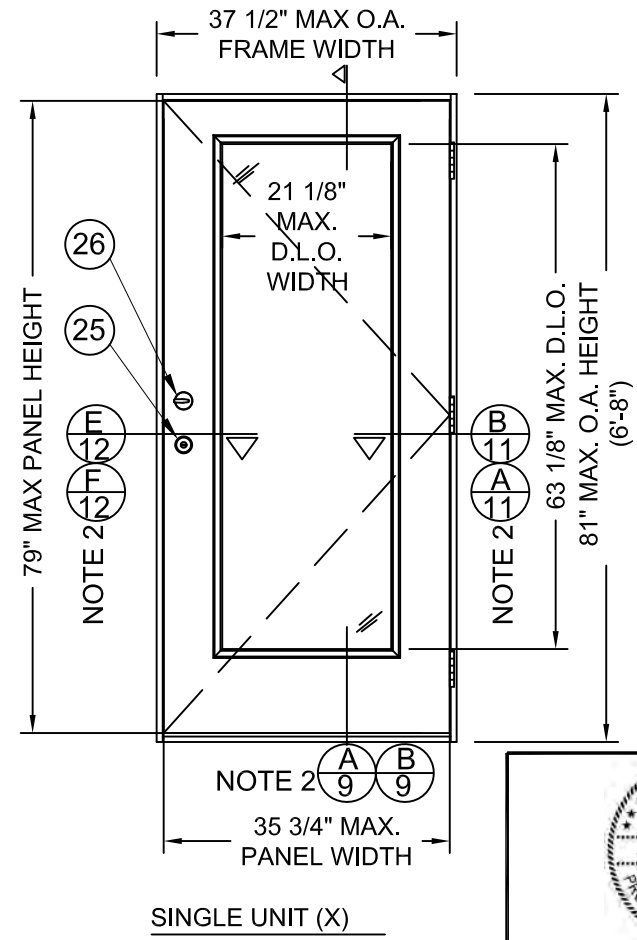
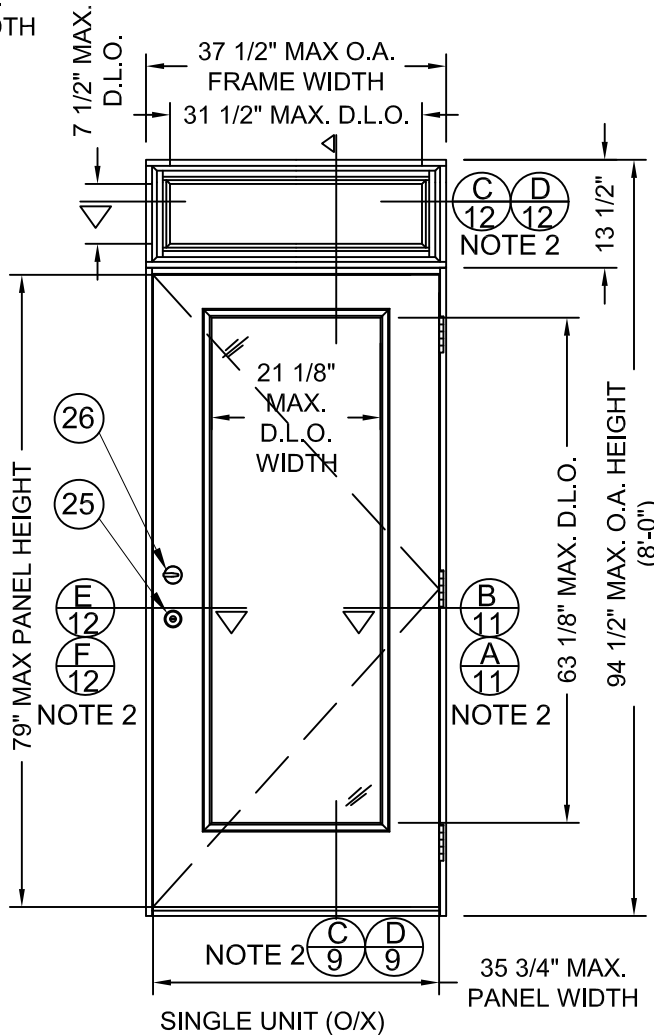
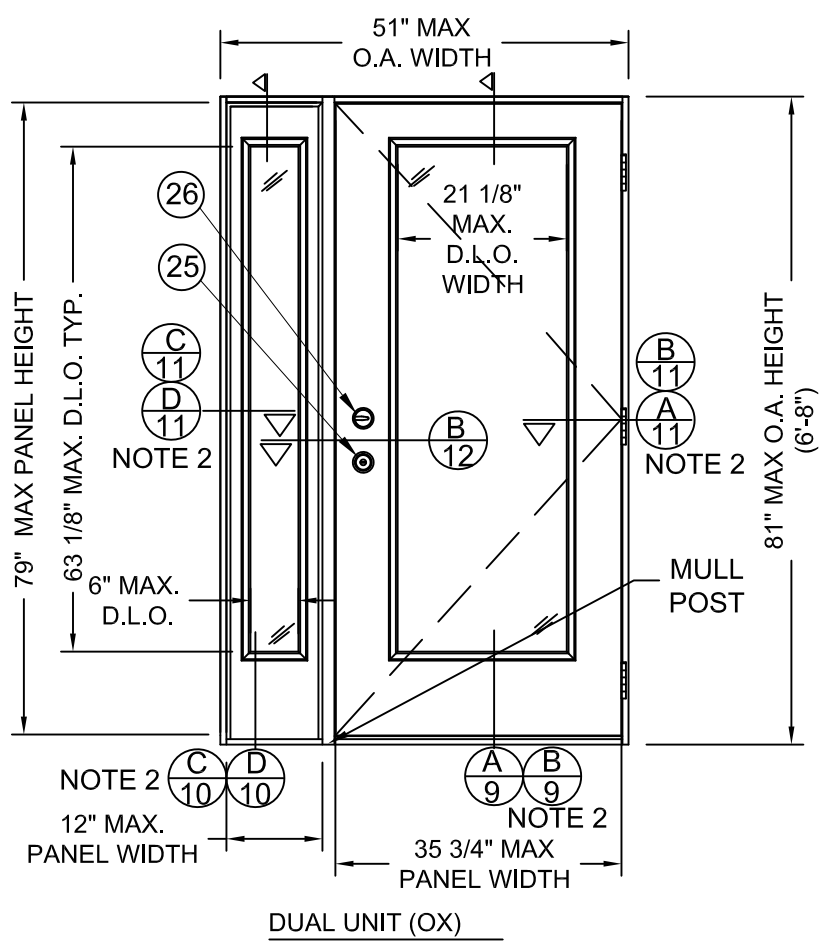
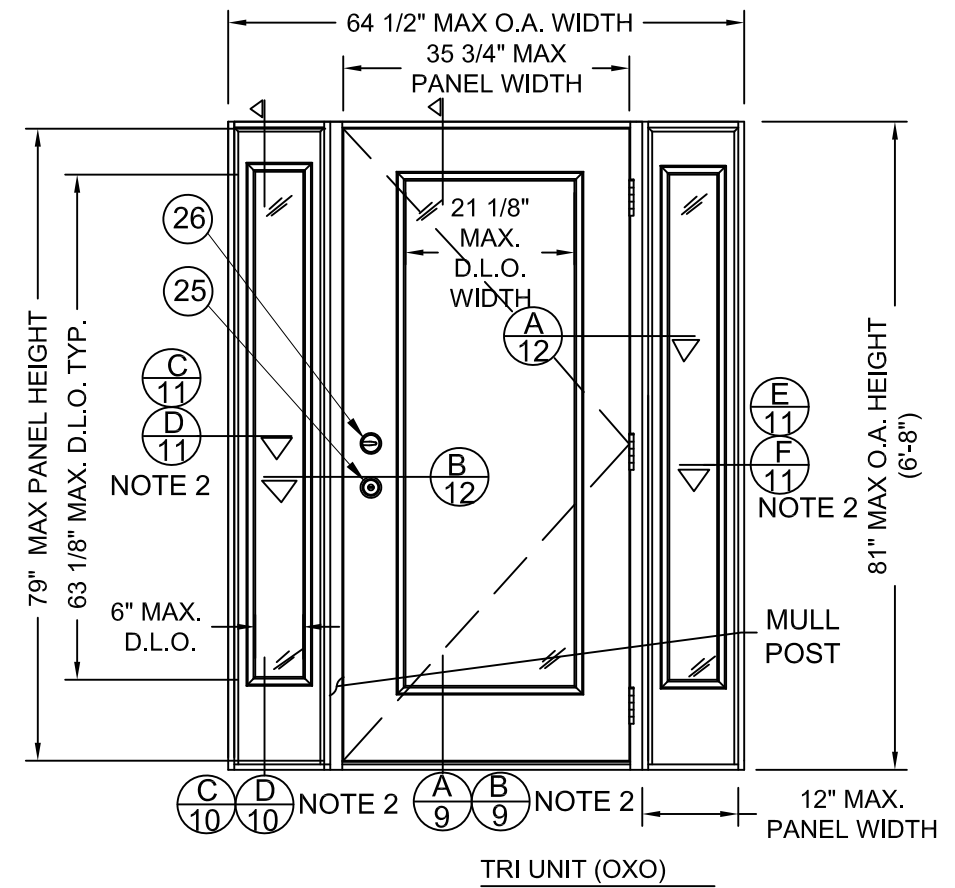
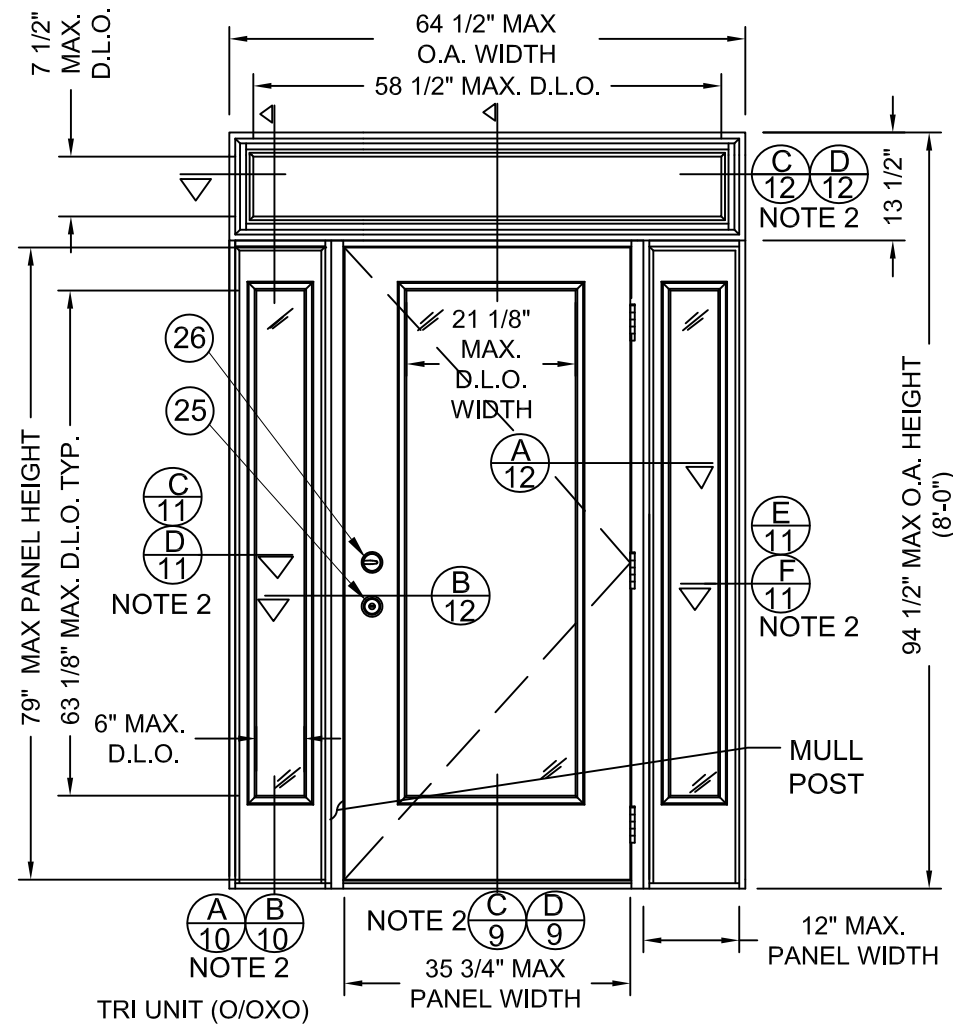
- NOTES**
- FOR ANCHOR SPACING, SEE SHEETS 13, 14 & 15.
 - SPACING FOR ITEM #12 FROM TOP DOWN:
6", 28-5/8", 50-7/8", 73-1/4".
 - ASTRAGAL SCREW SPACING FOR ITEM #14 FROM TOP DOWN: 1/2", 2", 3-1/2", 20", 24-3/4", 39".
 - 1X BUCK MAY BE UTILIZED AS AN OPTION AS LONG AS MIN. ANCHOR EMBEDMENT DEPTH, INTO MASONRY, CONCRETE, OR WOOD, IS MAINTAINED.
 - TAPCON (ITEM #9) ANCHOR SPACING SAME AS WOOD ANCHOR (ITEM #5) SPACING.
 - OPTIONALLY, ANCHOR CAN BE PLACED IN NARROW SECTION OF HEAD OR JAMB.

JELD-WEN, INC.
3737 LAKEPORT BLVD.
KLAMATH FALLS, OR, 97601
PH. 541-882-3451

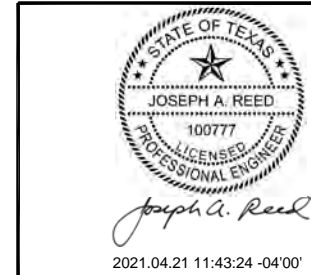
PRODUCT: ENERGY SAVER/CONTOUR, FULL LITE, WOOD EDGE 5-4x8-0 (O/OXO) INSWING/OUTSWING 24GA. STEEL DOOR
PART OR ASSEMBLY:
INSWING HORIZONTAL CROSS SECTIONS

NO.	DATE	BY	REVISIONS
B	01-24-20	TB	ADD ADA THRESHLD
A	8-17-17	JH	CHANGED CORE

DATE: 12/31/09
SCALE: 3" = 1'
DWG. BY: S. LUBBECKE
CHK. BY: S. FREY
DRAWING NO.: JW172009
SHEET 7 OF 16



NOTES:
 1- ALL VIEWS FROM EXTERIOR.
 2- MASONRY AND CONCRETE CONSTRUCTION.



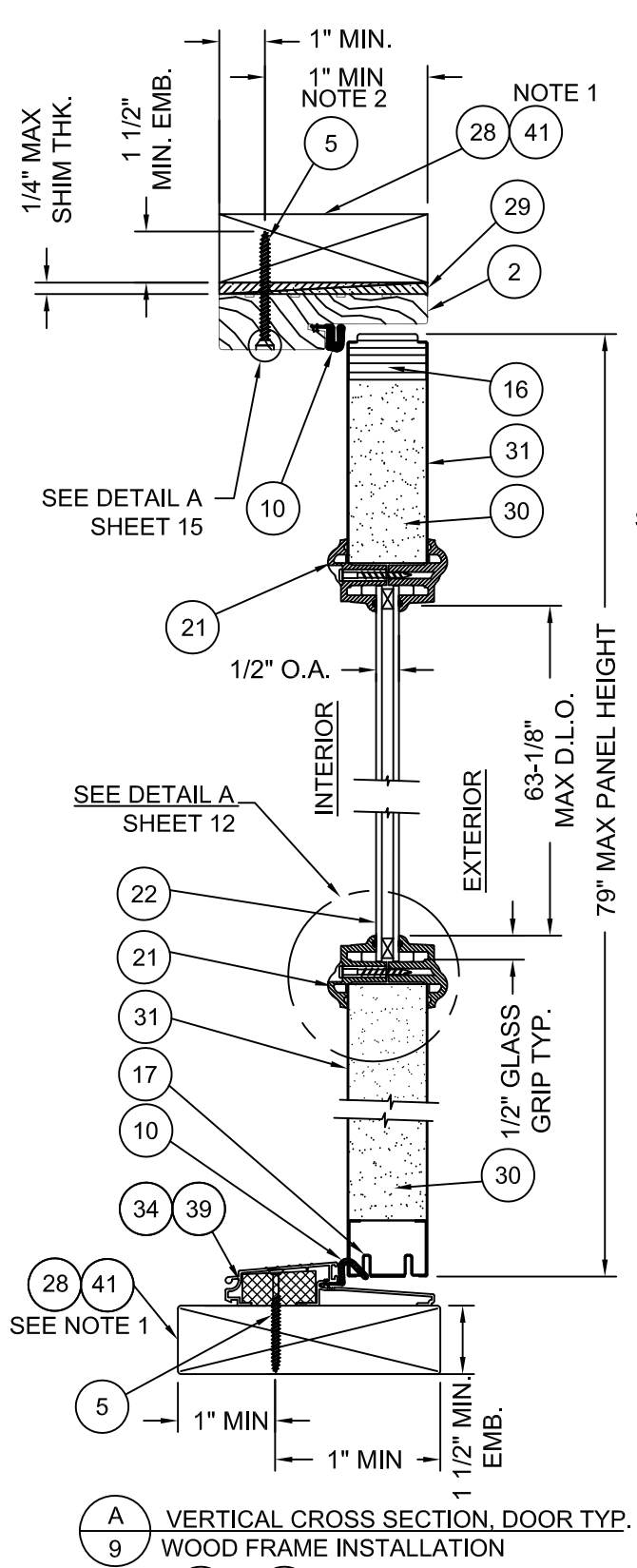
Joseph A. Reed, PE
 Texas P.E. No. 100777
 National Certified Testing Laboratories
 5 Leigh Drive, York, PA 17406
 (717) 846-1200

JELD-WEN, INC.
 3737 LAKEPORT BLVD.
 KLAMATH FALLS, OR, 97601
 PH. 541-882-3451

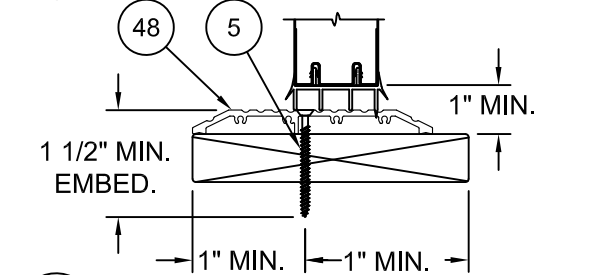
PRODUCT:
 ENERGY SAVER/CONTOUR, FULL LITE,
 WOOD EDGE 5-4x8-0 (O/OXO)
 INSWING/OUTSWING 24GA. STEEL DOOR
 PART OR ASSEMBLY:
 OUTSWING ELEVATIONS

NO.	DATE	BY	REVISIONS
B	01-24-20	JH	ADD ADA THRESHLD
A	8-17-17	JH	CHANGED CORE

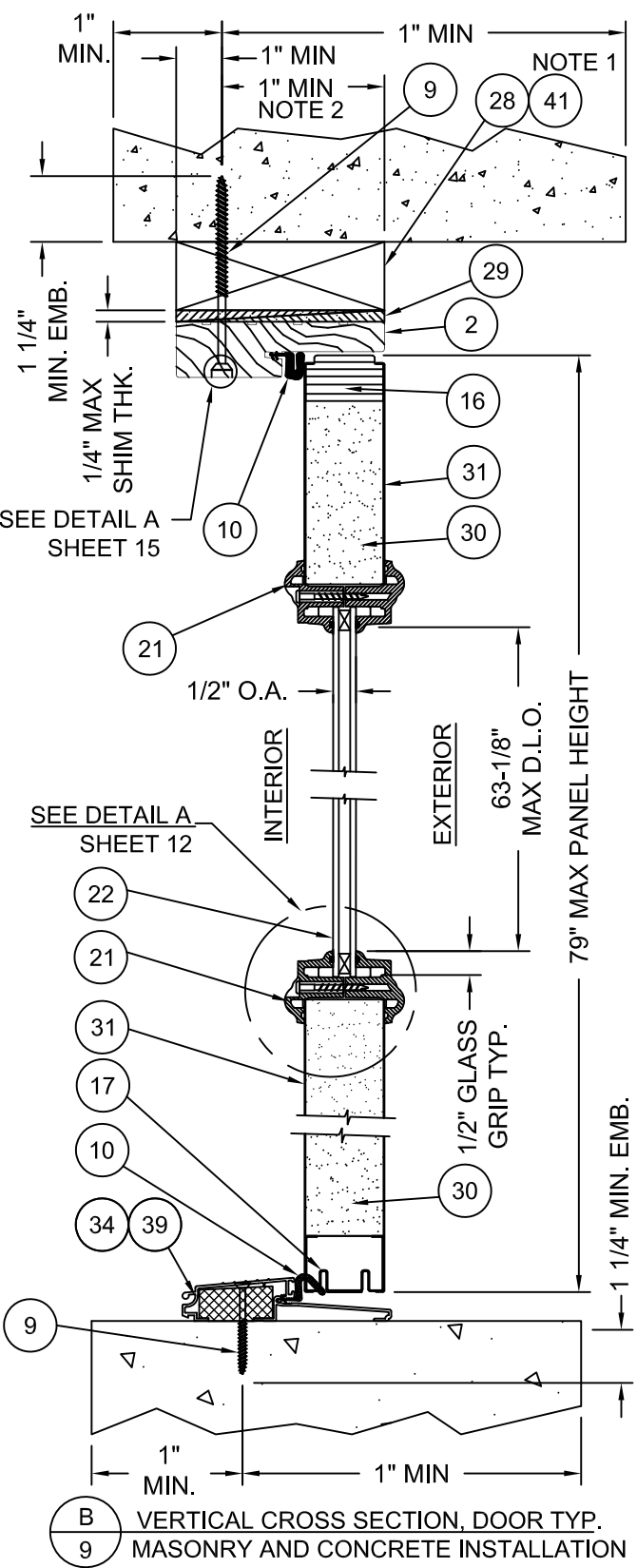
DATE: 12/31/09
 SCALE: 1/2" = 1'
 DWG. BY: G.LUBBECKE
 CHK. BY: S. FREY
 DRAWING NO.: JW172009
 SHEET 8 OF 16



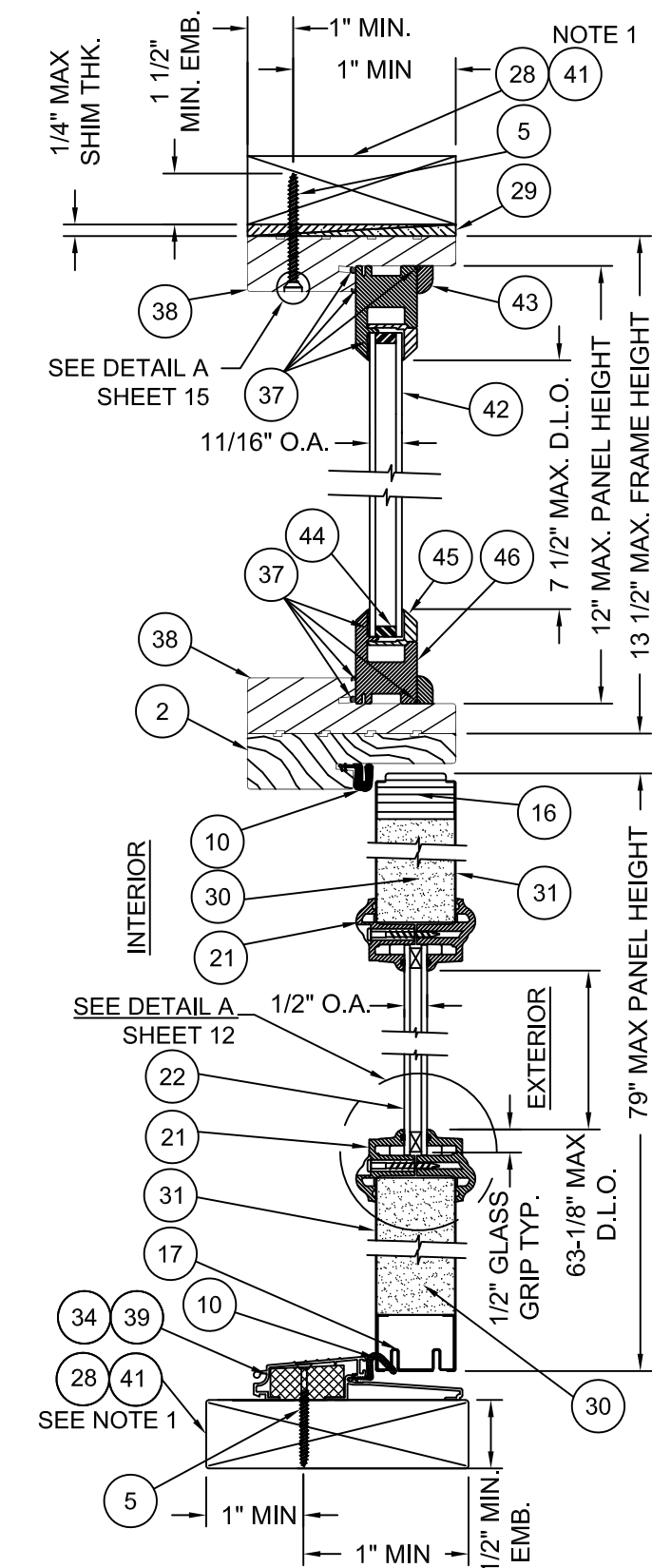
A VERTICAL CROSS SECTION, DOOR TYP. WOOD FRAME INSTALLATION



A VERTICAL CROSS SECTION - ADA SILL, WOOD FRAME INSTALLATION

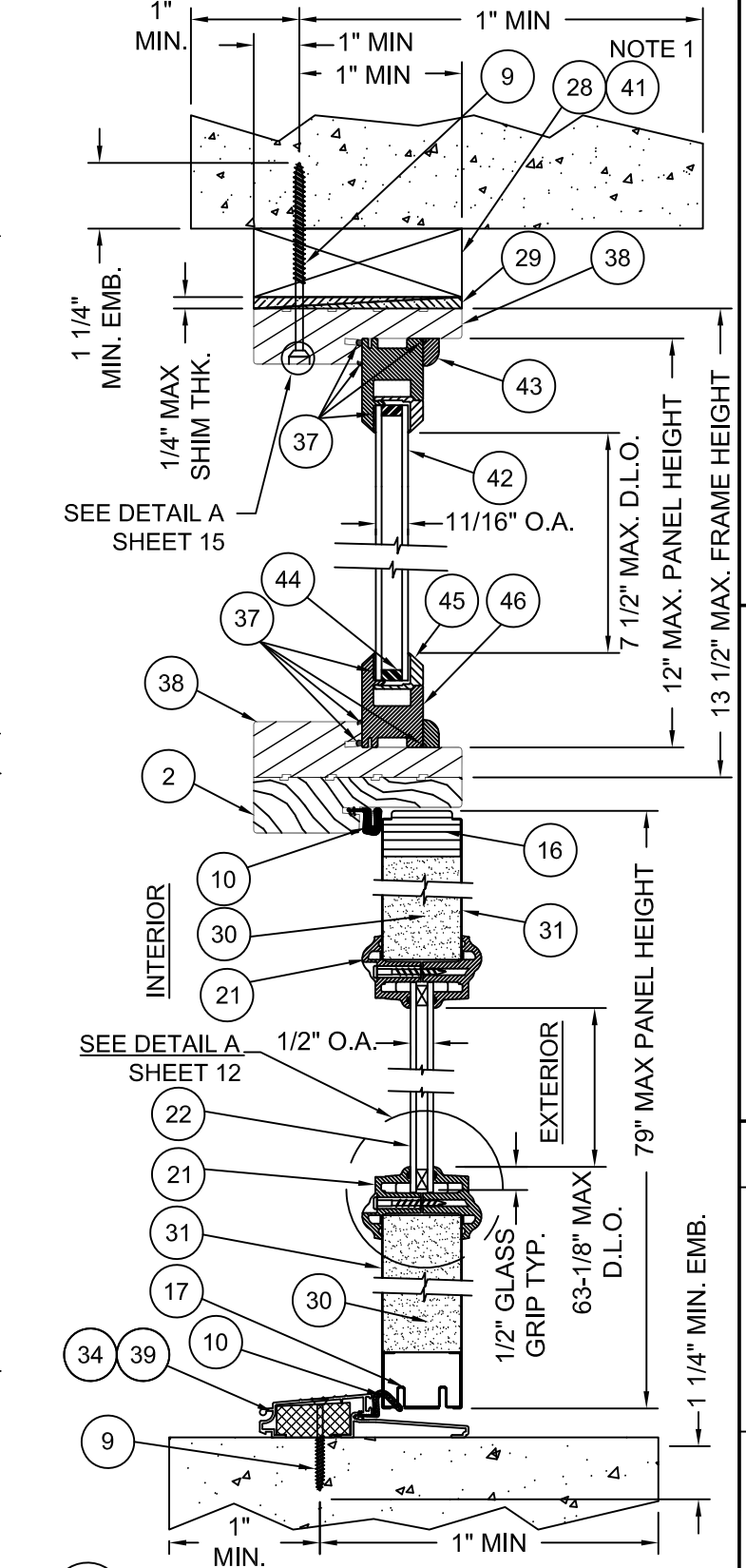


B VERTICAL CROSS SECTION, DOOR TYP. MASONRY AND CONCRETE INSTALLATION

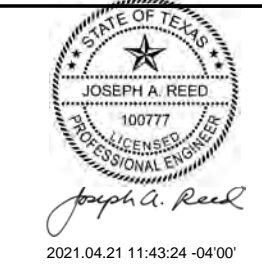


C VERTICAL CROSS SECTION, DOOR/TRANSOM TYP. WOOD FRAME INSTALLATION

NOTE 1- 1X MAY BE UTILIZED AS AN OPTION AS LONG AS MINIMUM ANCHOR EMBEDMENT DEPTH, INTO MASONRY, CONCRETE, OR WOOD IS MAINTAINED.
 NOTE 2- OPTIONALLY, ANCHOR CAN BE PLACED IN NARROW SECTION OF HEAD OF JAMB.



D VERTICAL CROSS SECTION, DOOR/TRANSOM TYP. MASONRY AND CONCRETE INSTALLATION



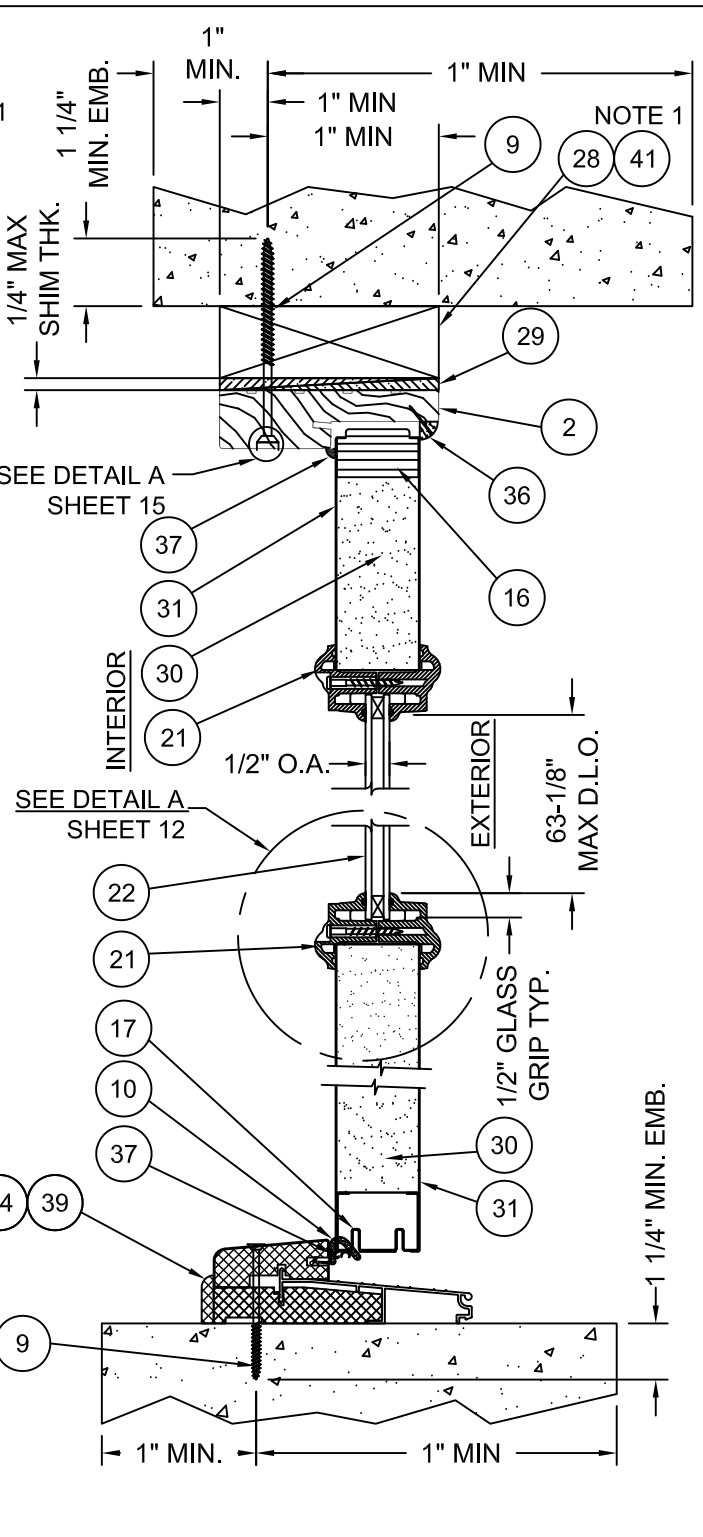
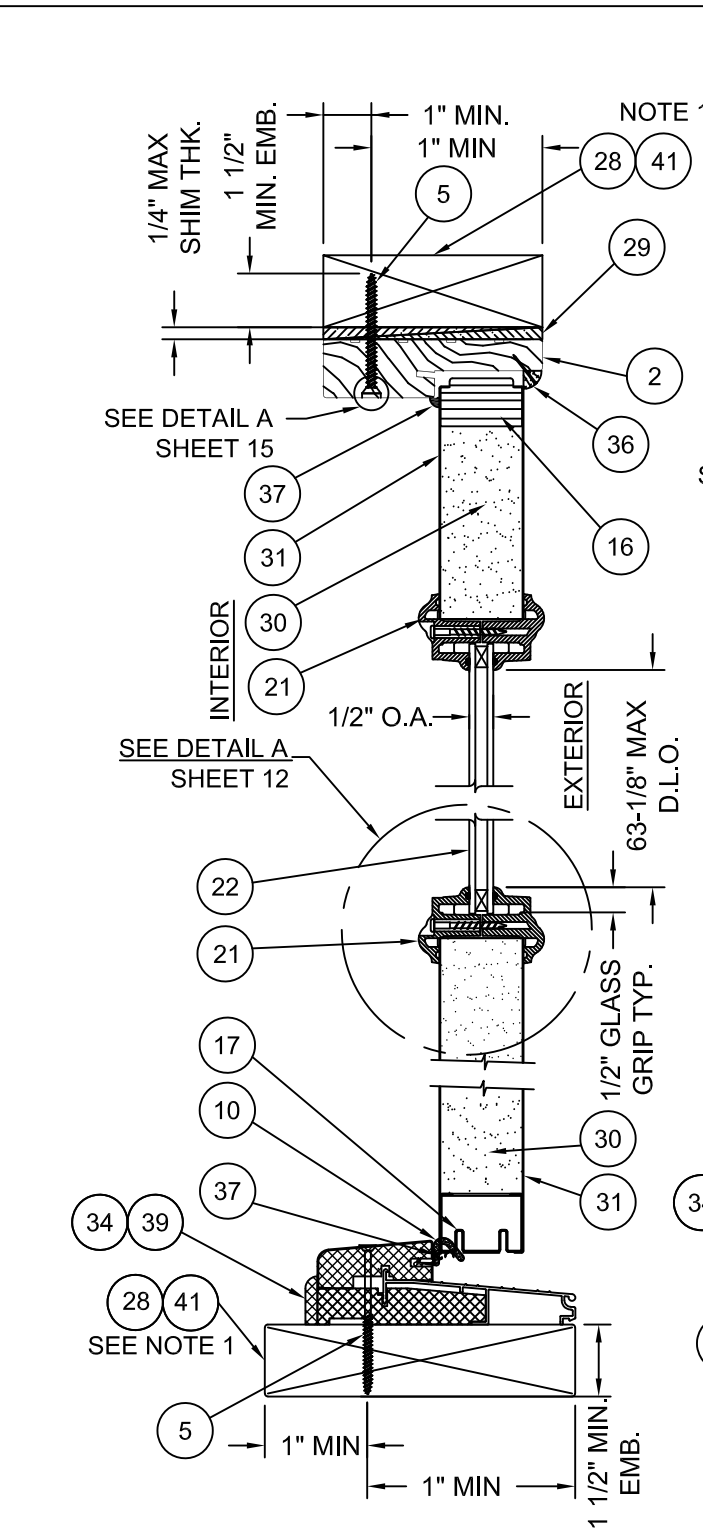
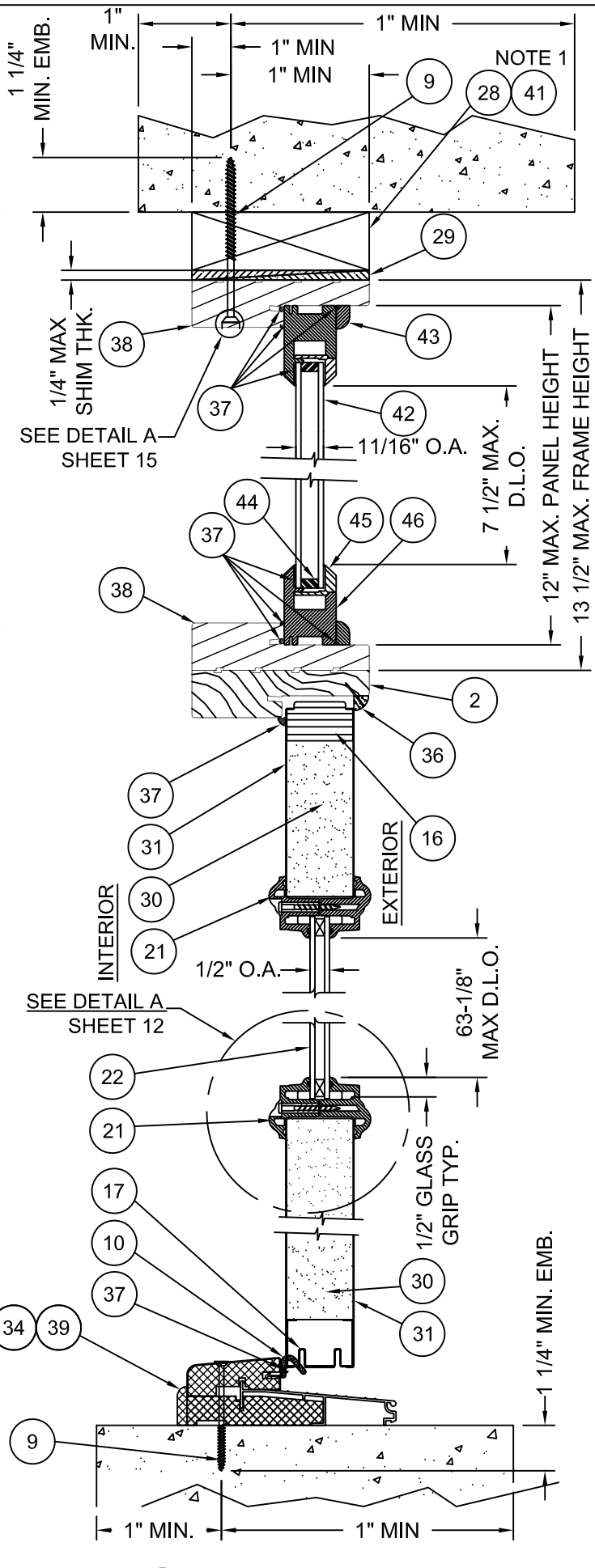
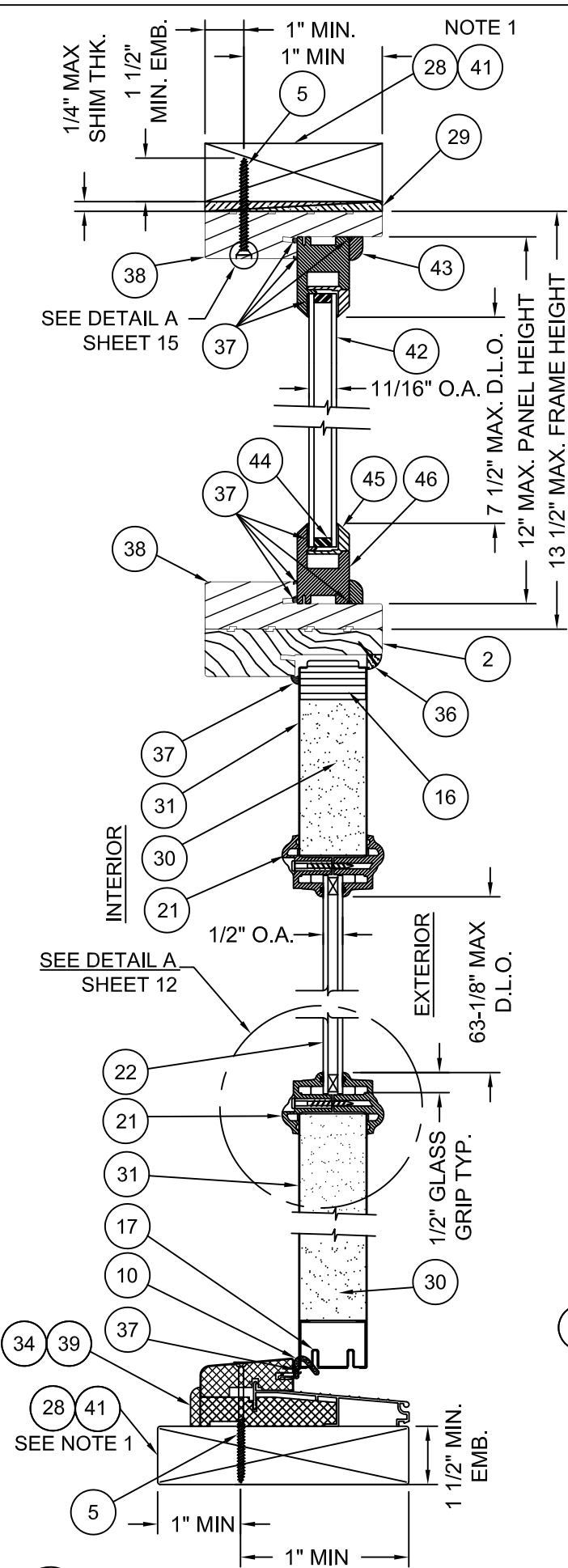
Joseph A. Reed, PE
 Texas P.E. No. 100777
 National Certified Testing Laboratories
 5 Leigh Drive, York, PA 17406
 (717) 846-1200

JELD-WEN, INC.
 3737 LAKEPORT BLVD.
 KLAMATH FALLS, OR, 97601
 PH. 541-882-3451

PRODUCT:
 ENERGY SAVER/CONTOUR, FULL LITE,
 WOOD EDGE 5-4x8-0 (O/OXO)
 INSWING/OUTSWING 24GA. STEEL DOOR
 PART OR ASSEMBLY:
 OUTSWING VERTICAL CROSS SECTIONS

NO.	DATE	BY	REVISIONS
B	01-24-20	TB	ADD ADA THRESHLD
A	8-17-17	JH	CHANGED CORE

DATE: 12/31/09
 SCALE: 3" = 1"
 DWG. BY: G.LUBBECKE
 CHK. BY: S. FREY
 DRAWING NO.: JW172009
 SHEET 9 OF 16



A 10 VERTICAL CROSS SECTION SIDELITE /TRANSOM TYP. WOOD FRAME INSTALLATION

B 10 VERTICAL CROSS SECTION SIDELITE /TRANSOM TYP. MASONRY AND CONCRETE INSTALLATION

C 10 VERTICAL CROSS SECTION SIDELITE TYP. WOOD FRAME INSTALLATION

D 10 VERTICAL CROSS SECTION SIDELITE TYP. MASONRY AND CONCRETE INSTALLATION

NOTE 1- 1X MAY BE UTILIZED AS AN OPTION AS LONG AS MINIMUM ANCHOR EMBEDMENT DEPTH, INTO MASONRY, CONCRETE, OR WOOD IS MAINTAINED.



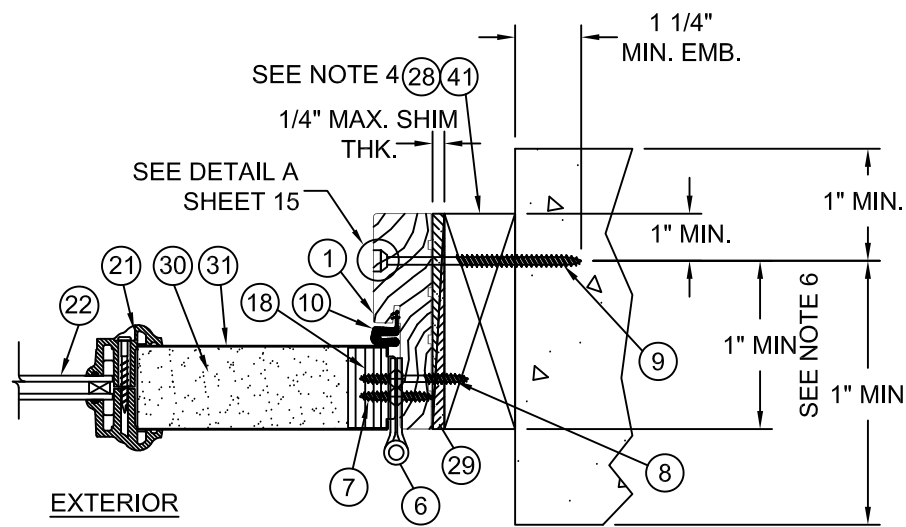
Joseph A. Reed, PE
Texas P.E. No. 100777
National Certified Testing Laboratories
5 Leigh Drive, York, PA 17406
(717) 846-1200

JELD-WEN, INC.
3737 LAKEPORT BLVD.
KLAMATH FALLS, OR, 97601
PH. 541-882-3451

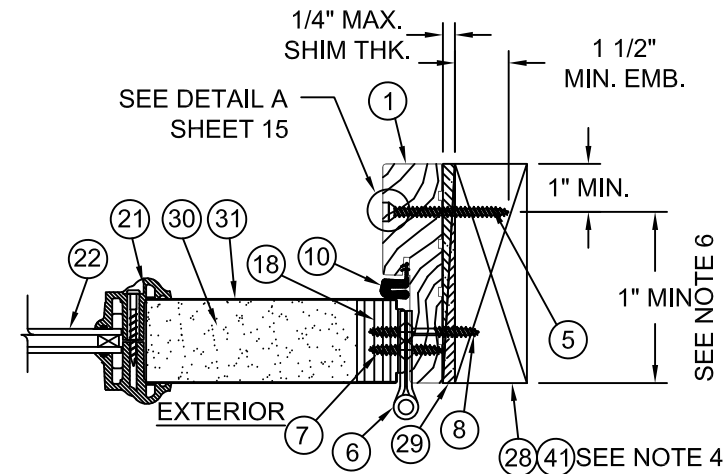
PRODUCT:
ENERGY SAVER/CONTOUR, FULL LITE,
WOOD EDGE 5-4x8-0 (O/OXO)
INSWING/OUTSWING 24GA. STEEL DOOR
PART OR ASSEMBLY:
OUTSWING VERTICAL CROSS SECTIONS

NO.	DATE	BY
B	01-24-20	TB
A	8-17-17	JH

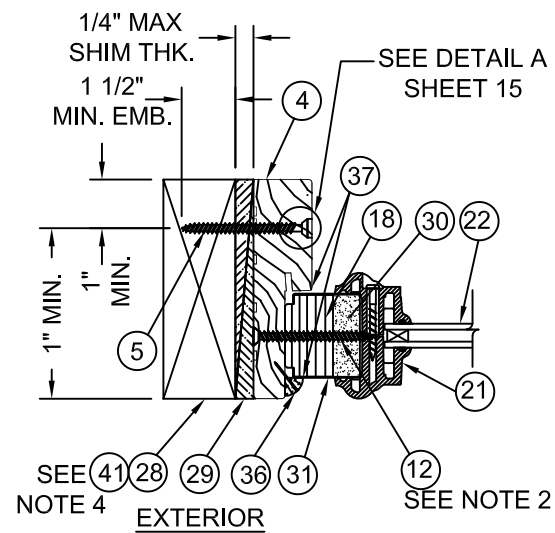
DATE: 12/31/09
SCALE: 3" = 1'
DWG. BY: G.LUBBECKE
CHK. BY: S. FREY
DRAWING NO.: JW172009
SHEET 10 OF 16



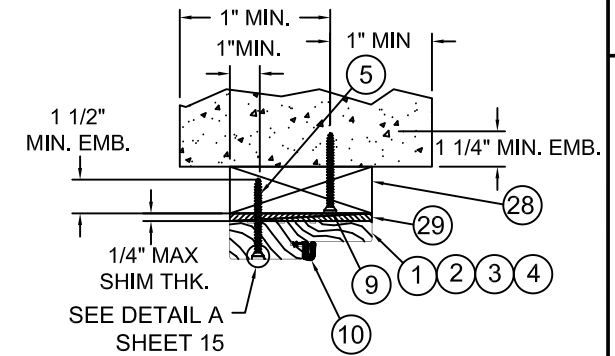
A
11 HORIZONTAL CROSS SECTION
VIEW AT DOOR HINGE/SIDE JAMB
(MASONRY AND CONCRETE INSTALL)



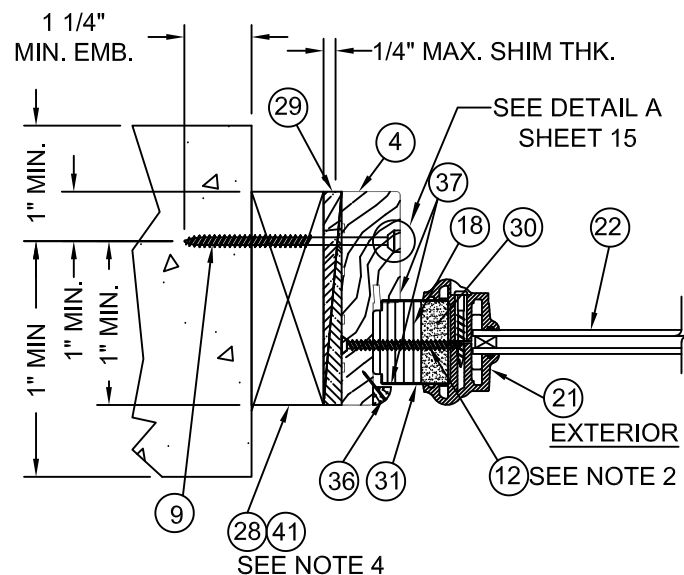
B
11 HORIZONTAL CROSS SECTION
VIEW AT DOOR LATCH/SIDE JAMB
(WOOD INSTALL)



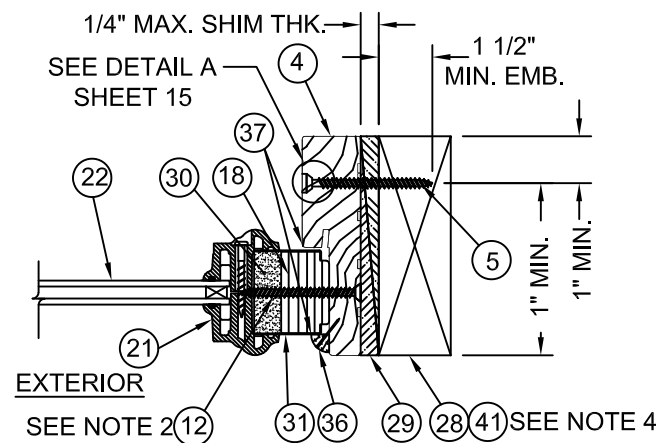
C
11 HORIZONTAL CROSS SECTION
VIEW AT FIXED PANEL/SIDE JAMB
(WOOD INSTALL)



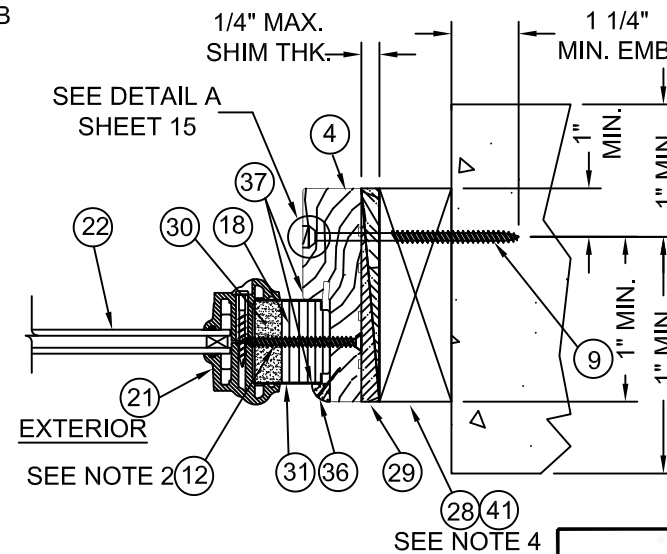
OPTIONAL MASONRY AND CONCRETE
INSTALLATION FOR HEADERS AND JAMBS
SEE NOTE 5 & 6, THIS PAGE



D
11 HORIZONTAL CROSS SECTION
VIEW AT FIXED PANEL/SIDE JAMB
(MASONRY AND CONCRETE INSTALL)



E
11 HORIZONTAL CROSS SECTION
VIEW AT FIXED PANEL/SIDE JAMB
(WOOD INSTALL)



F
11 HORIZONTAL CROSS SECTION
VIEW AT FIXED PANEL/SIDE JAMB
(MASONRY AND CONCRETE INSTALL)

NOTES

- FOR ANCHOR SPACING, SEE SHEETS 13, 14 & 15.
- SPACING FOR ITEM #12 FROM TOP DOWN: 6", 28-5/8", 50-7/8", 73-1/4".
- ASTRAGAL SCREW SPACING FOR ITEM #14 FROM TOP DOWN: 1/2", 2", 3-1/2", 20", 24-3/4", 39".
- 1X BUCK MAY BE UTILIZED AS AN OPTION AS LONG AS MIN. ANCHOR EMBEDMENT DEPTH, INTO MASONRY, CONCRETE, OR WOOD, IS MAINTAINED.
- TAPCON (ITEM #9) ANCHOR SPACING SAME AS WOOD ANCHOR (ITEM #5) SPACING.
- OPTIONALLY, ANCHOR CAN BE PLACED IN NARROW SECTION OF HEAD OR JAMB.



Joseph A. Reed
2021.04.21 11:43:24 -04'00'

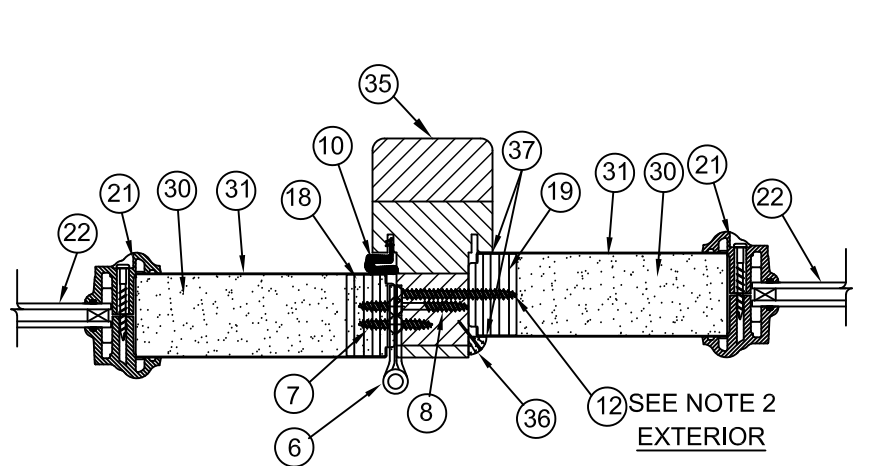
Joseph A. Reed, PE
Texas P.E. No. 100777
National Certified Testing Laboratories
5 Leigh Drive, York, PA 17406
(717) 846-1200

PRODUCT:
ENERGY SAVER/CONTOUR, FULL LITE,
WOOD EDGE 5-4x8-0 (O/OXO)
INSWING/OUTSWING 24GA. STEEL DOOR
PART OR ASSEMBLY:
OUTSWING HORIZONTAL
CROSS SECTIONS

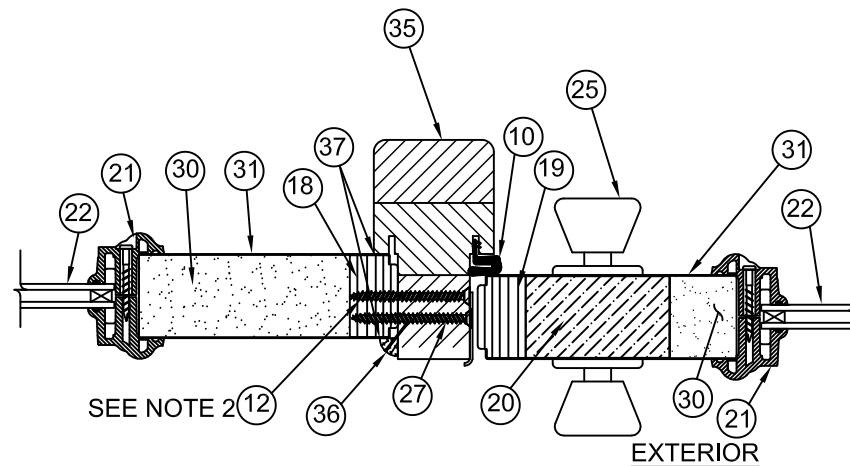
NO.	DATE	BY	REVISIONS
B	01-24-20	JH	ADD ADA THRESHOLD
A	8-17-17	JH	CHANGED CORE

DATE: 12/31/09
SCALE: 3" = 1'
DWG. BY: G. LUBBECKE
CHK. BY: S. FREY
DRAWING NO.: JW172009
SHEET 11 OF 16

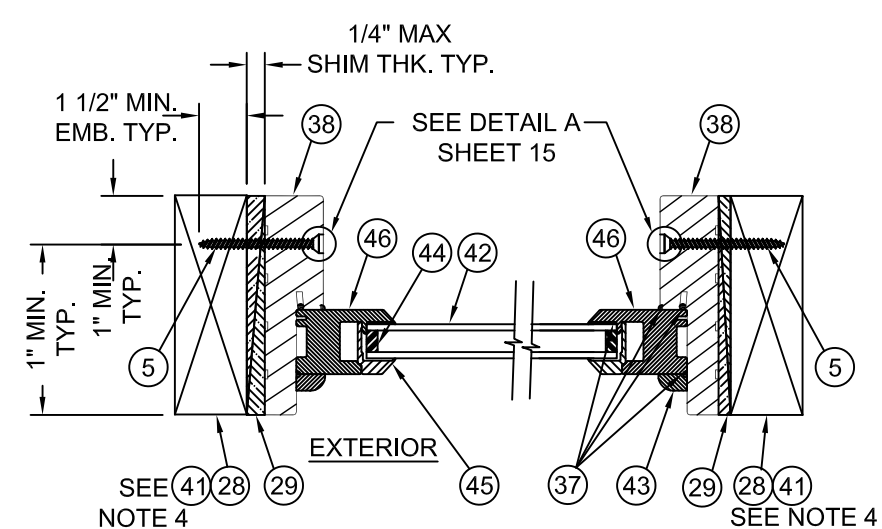
JELD-WEN, INC.
3737 LAKEPORT BLVD.
KLAMATH FALLS, OR, 97601
PH. 541-882-3451



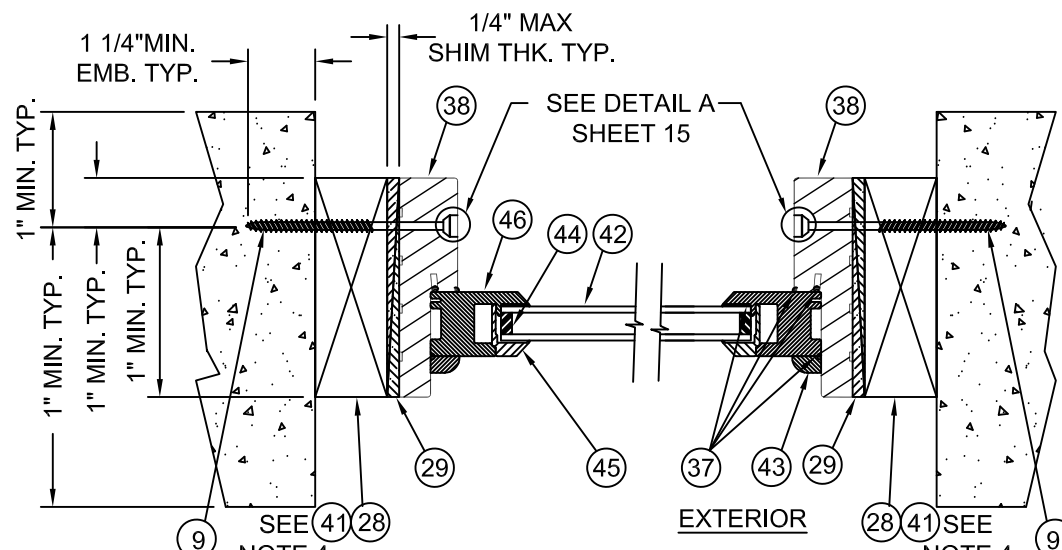
A HORIZONTAL CROSS SECTION
12 VIEW AT HINGED PANEL/SIDE LITE AND MULLION



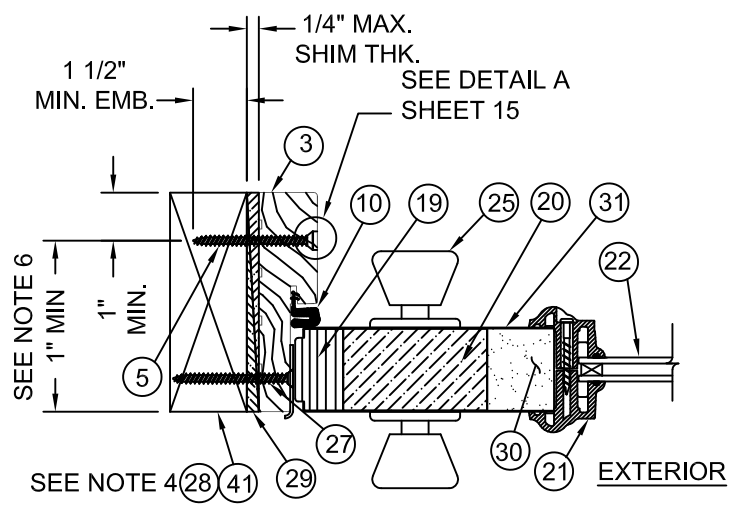
B HORIZONTAL CROSS SECTION
12 VIEW AT FIXED PANEL/DOOR LATCH AT MULLION



C HORIZONTAL CROSS SECTION
12 VIEW AT FIXED TRANSOM (WOOD INSTALL)

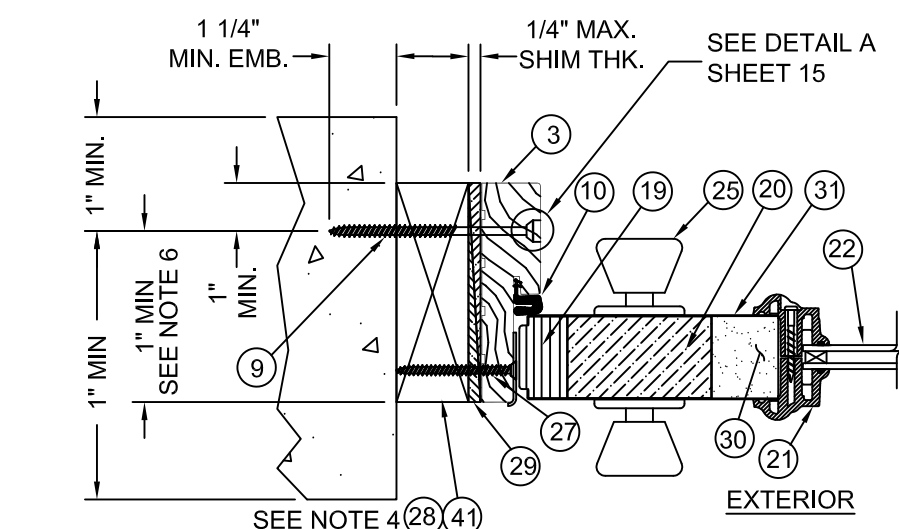


D HORIZONTAL CROSS SECTION
12 VIEW AT FIXED TRANSOM (MASONRY AND CONCRETE INSTALL)

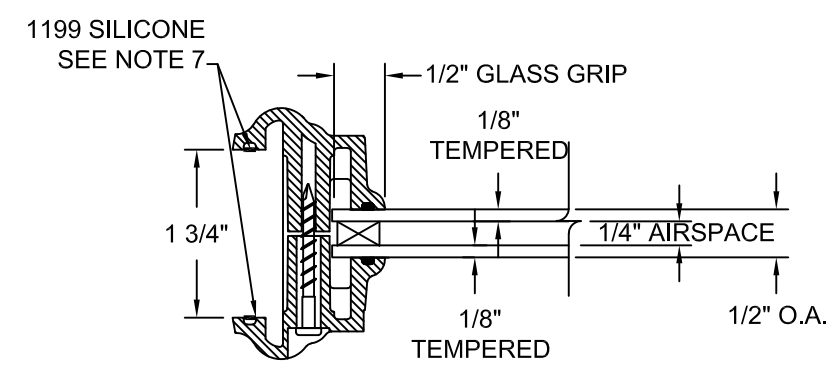


E HORIZONTAL CROSS SECTION
12 VIEW AT DOOR LATCH/SIDE JAMB (WOOD INSTALL)

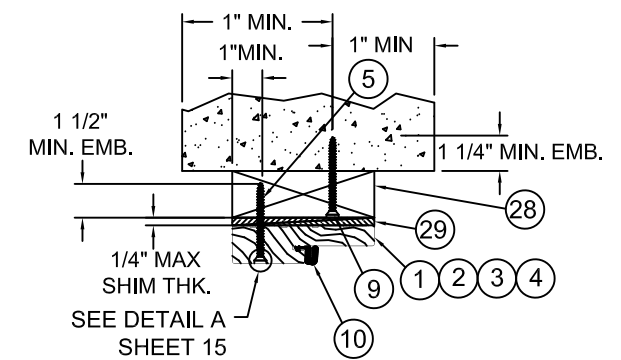
- NOTES**
- FOR ANCHOR SPACING, SEE SHEETS 13, 14 & 15.
 - SPACING FOR ITEM #12 FROM TOP DOWN: 6", 28-5/8", 50-7/8", 73-1/4".
 - ASTRAGAL SCREW SPACING FOR ITEM #14 FROM TOP DOWN: 1/2", 2", 3-1/2", 20", 24-3/4", 39".
 - 1X BUCK MAY BE UTILIZED AS AN OPTION AS LONG AS MIN. ANCHOR EMBEDMENT DEPTH, INTO MASONRY, CONCRETE, OR WOOD, IS MAINTAINED.
 - TAPCON (ITEM #9) ANCHOR SPACING SAME AS WOOD ANCHOR (ITEM #5) SPACING.
 - OPTIONALLY, ANCHOR CAN BE PLACED IN NARROW SECTION OF HEAD OR JAMB.
 - SILICONE USED ON OPERATING PANELS ONLY.



F HORIZONTAL CROSS SECTION
12 VIEW AT DOOR LATCH/SIDE JAMB (MASONRY AND CONCRETE INSTALL)



GLAZING DETAIL A
SCALE: 6"=1'-0"



OPTIONAL MASONRY AND CONCRETE INSTALLATION FOR HEADERS AND JAMBS SEE NOTE 5 & 6, THIS PAGE



Joseph A. Reed, PE
Texas P.E. No. 100777
National Certified Testing Laboratories
5 Leigh Drive, York, PA 17406
(717) 846-1200

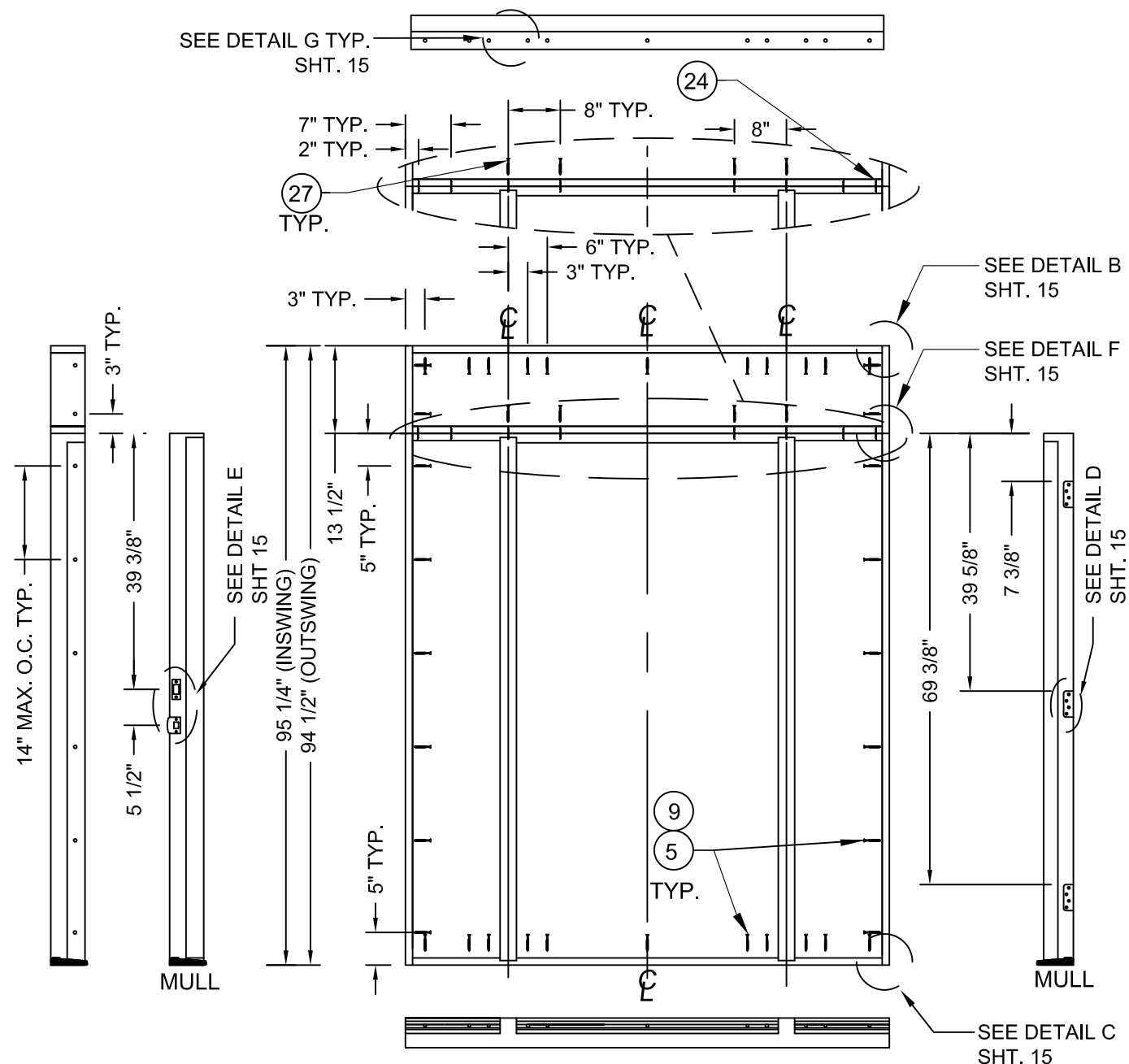
DATE:	12/31/09
SCALE:	3" = 1'
DWG. BY:	G. LUBBECKE
CHK. BY:	S. FREY
DRAWING NO.:	JW172009
SHEET	12 OF 16

PRODUCT:
ENERGY SAVER/CONTOUR, FULL LITE,
WOOD EDGE 5-4x8-0 (O/OXO)
IN SWING/OUT SWING 24GA. STEEL DOOR

PART OR ASSEMBLY:
OUTSWING HORIZONTAL
CROSS SECTIONS

NO.	DATE	BY	REVISIONS
B	01-24-20	TB	ADD ADA THRESHLD
A	8-17-17	JH	CHANGED CORE

JELD-WEN, INC.
3737 LAKEPORT BLVD.
KLAMATH FALLS, OR, 97601
PH. 541-882-3451



ANCHORING LOCATIONS TRI UNIT W/ TRANSOM
 INSWING/OUTSWING UNIT (O/OXO)
 SCALE: 1/2" = 1'-0"

NOTE:
 1 - ANCHOR SPACING FOR BOTH INSWING & OUTSWING.

JELD-WEN, INC.
 3737 LAKEPORT BLVD.
 KLAMATH FALLS, OR, 97601
 PH. 541-882-3451

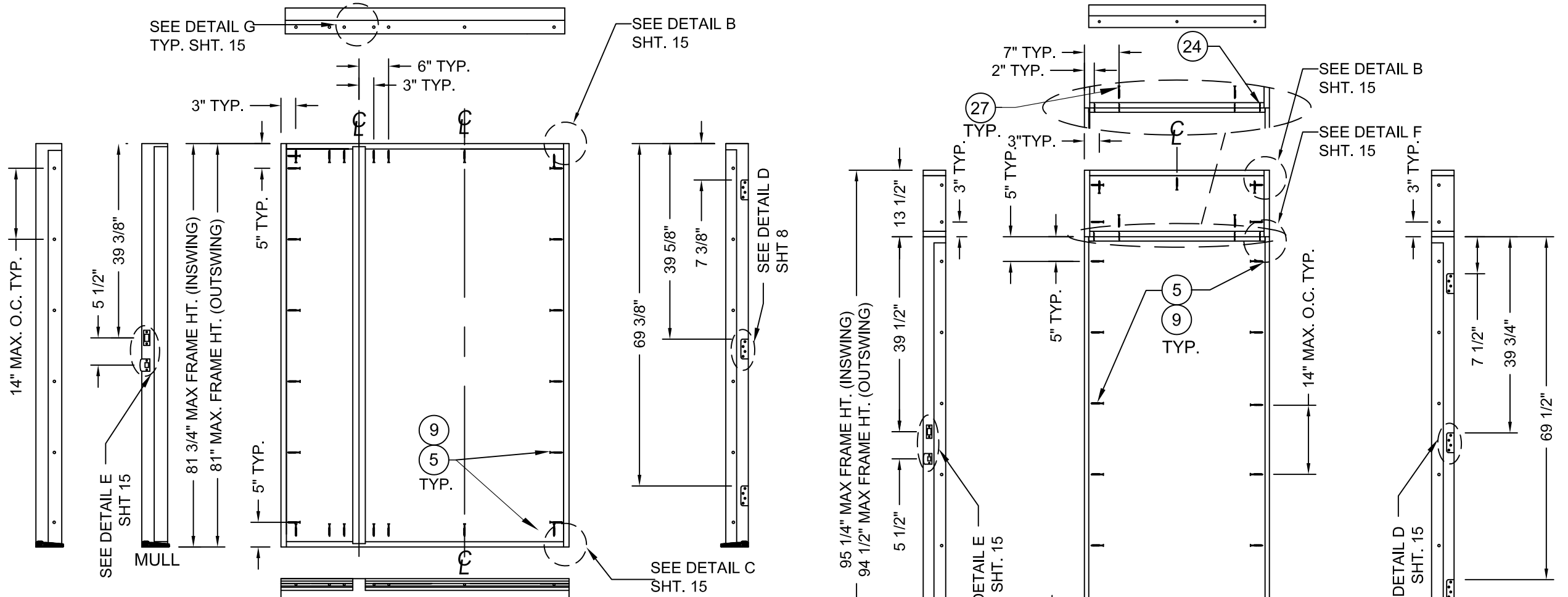
PRODUCT:
 ENERGY SAVER/CONTOUR, FULL LITE,
 WOOD EDGE 5-4x8-0 (O/OXO)
 INSWING/OUTSWING 24GA. STEEL DOOR
 PART OR ASSEMBLY:
 ANCHORING LOCATIONS
 INSWING/OUTSWING

NO.	DATE	BY	REVISIONS
B	01-24-20	TB	ADD ADA THRESHLD
A	8-17-17	JH	CHANGED CORE

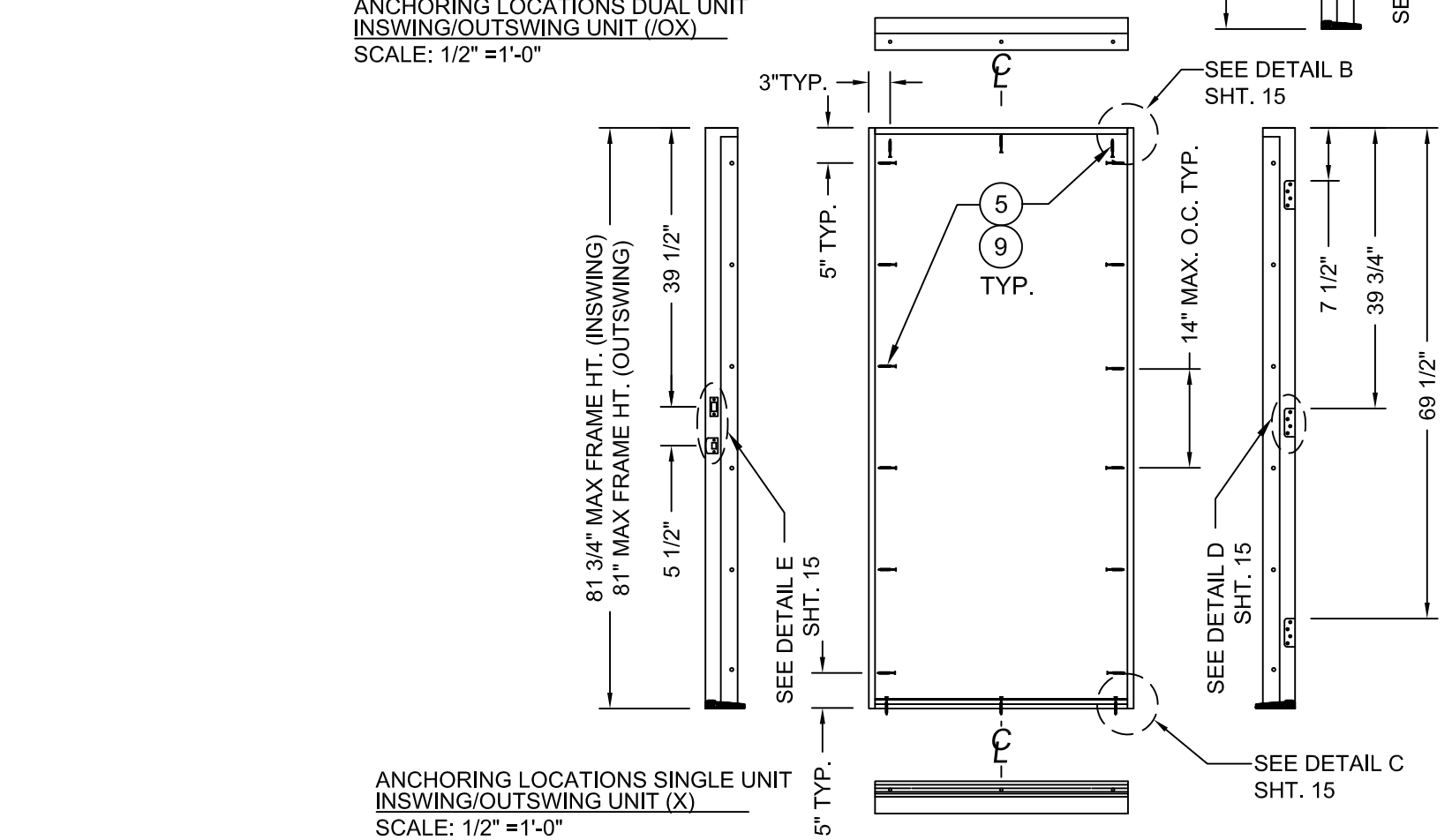


Joseph A. Reed, PE
 Texas P.E. No. 100777
 National Certified Testing Laboratories
 5 Leigh Drive, York, PA 17406
 (717) 846-1200

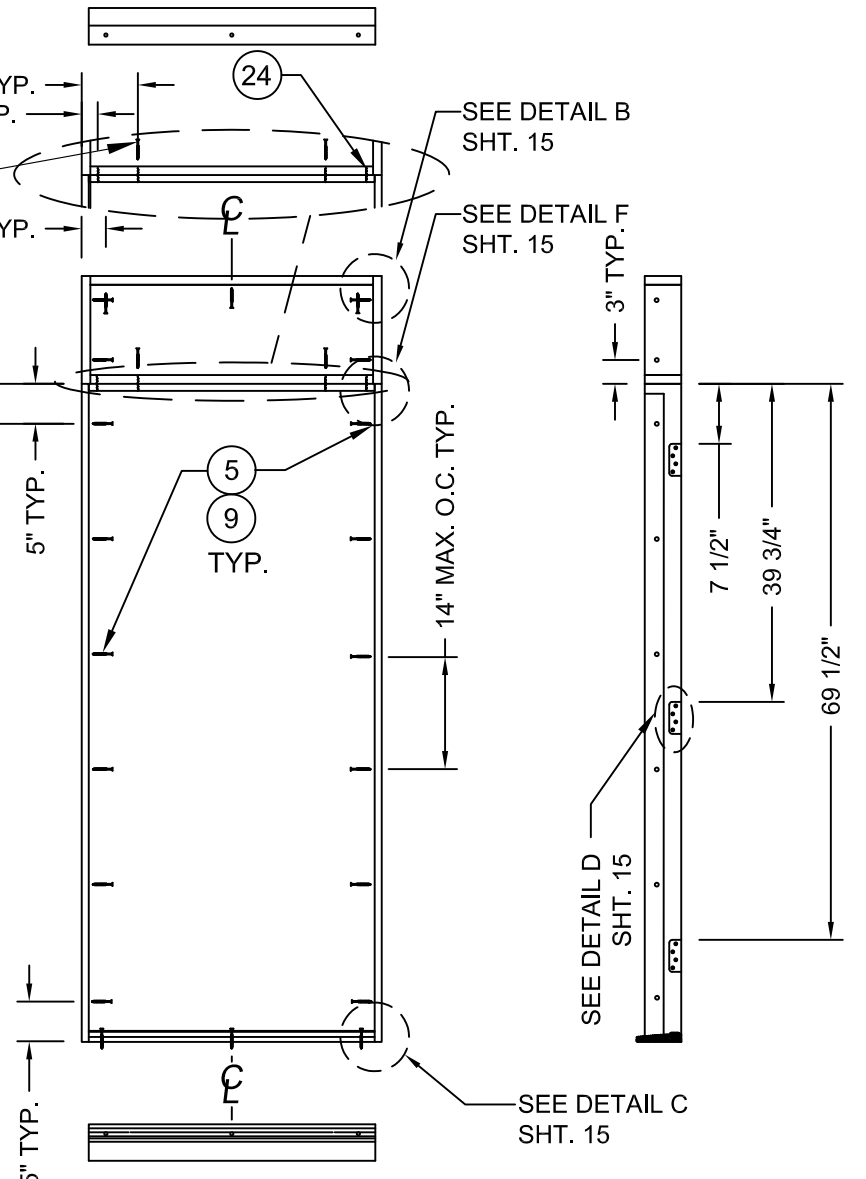
DATE: 12/31/09
 SCALE: 1/2" = 1'
 DWG. BY: S. LUBBECKE
 CHK. BY: S. FREY
 DRAWING NO.: JW172009
 SHEET 13 OF 16



ANCHORING LOCATIONS DUAL UNIT
INSWING/OUTSWING UNIT (O/X)
SCALE: 1/2" = 1'-0"



ANCHORING LOCATIONS SINGLE UNIT
INSWING/OUTSWING UNIT (X)
SCALE: 1/2" = 1'-0"



ANCHORING LOCATIONS SINGLE UNIT W/ TRANSOM
INSWING/OUTSWING UNIT (O/X)
SCALE: 1/2" = 1'-0"

NOTE:
1 - ANCHOR SPACING FOR BOTH INSWING & OUTSWING.



2021.04.21 11:43:24 -04'00'

Joseph A. Reed, PE
Texas P.E. No. 100777
National Certified Testing Laboratories
5 Leigh Drive, York, PA 17406
(717) 846-1200

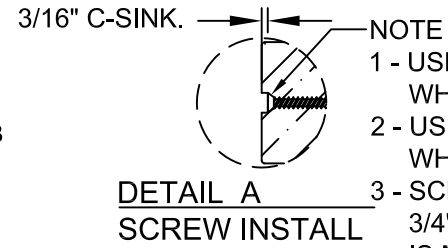
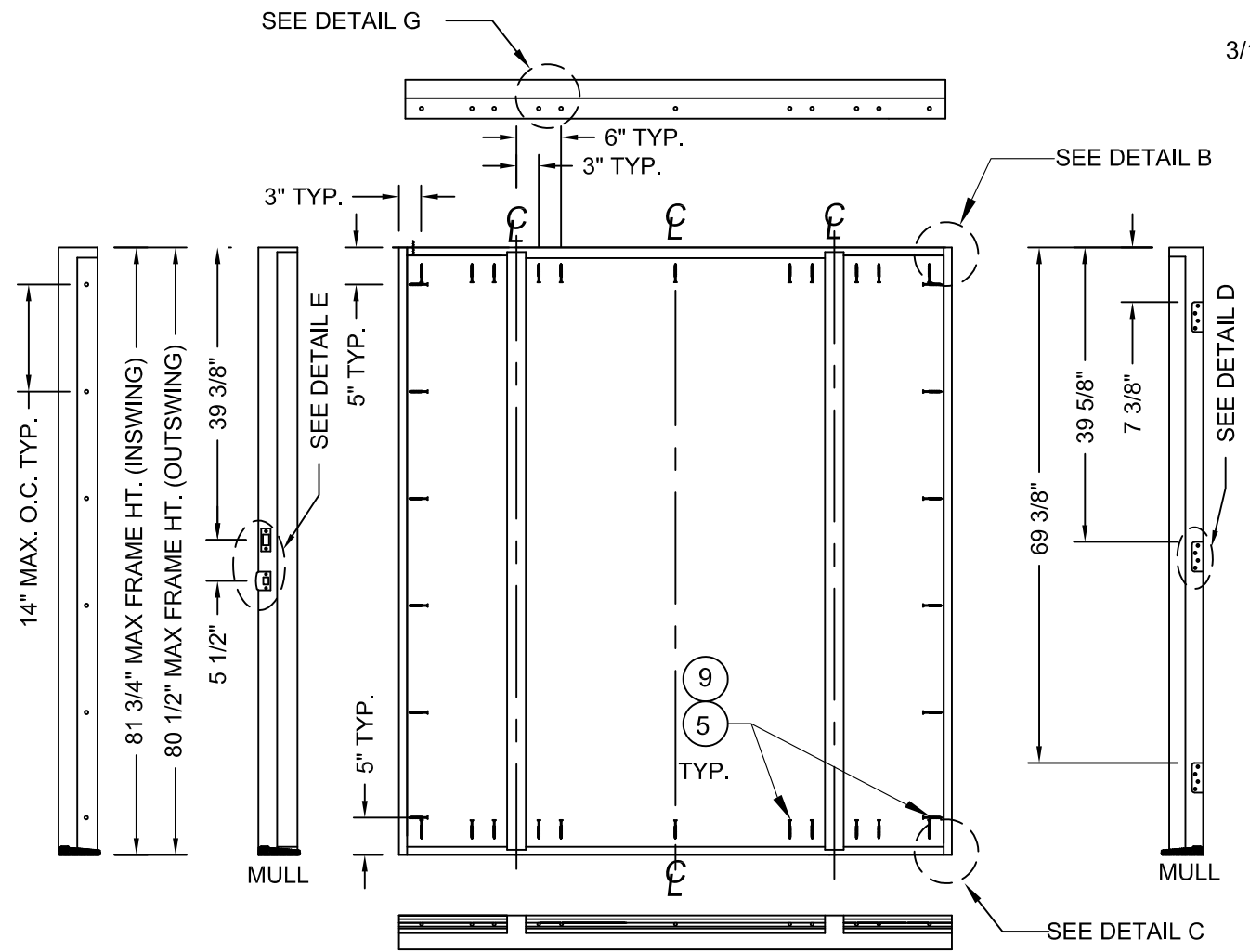
JELD-WEN, INC.
3737 LAKEPORT BLVD.
KLAMATH FALLS, OR, 97601
PH. 541-882-3451

PRODUCT:
ENERGY SAVER/CONTOUR, FULL LITE,
WOOD EDGE 5-4x8-0 (O/OXO)
INSWING/OUTSWING 24GA. STEEL DOOR

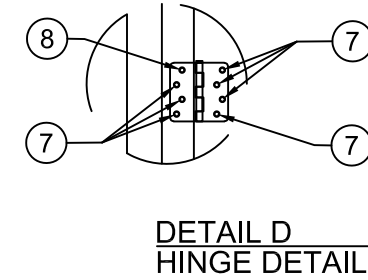
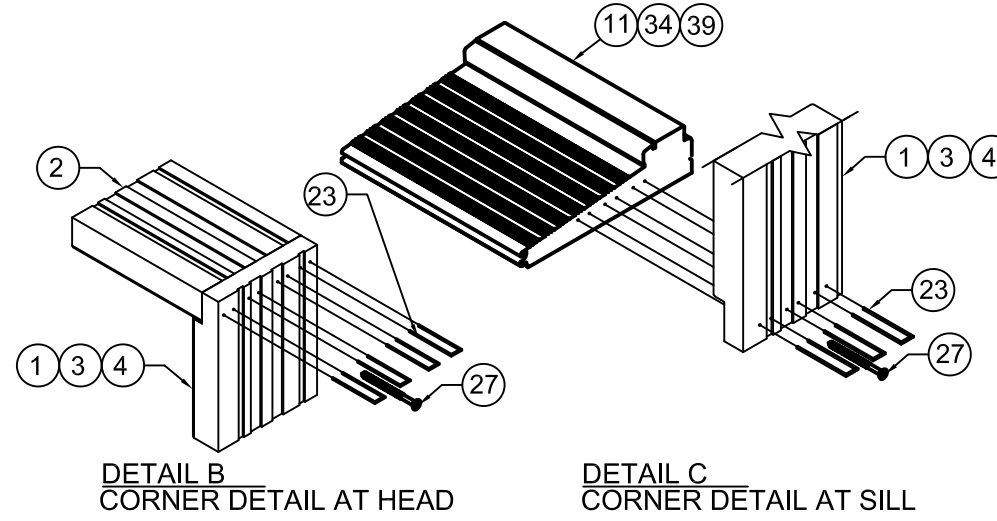
PART OR ASSEMBLY:
ANCHORING LOCATIONS
INSWING/OUTSWING UNITS

NO.	DATE	BY	REVISIONS
B	01-24-20	TB	ADD ADA THRESHLD
A	8-17-17	JH	CHANGED CORE

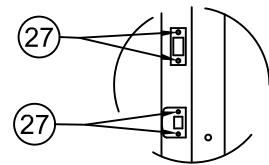
DATE:	12/31/09
SCALE:	1/2" = 1'
DWG. BY:	G.LUBBECKE
CHK. BY:	S. FREY
DRAWING NO.:	JW172009
SHEET	14 OF 16



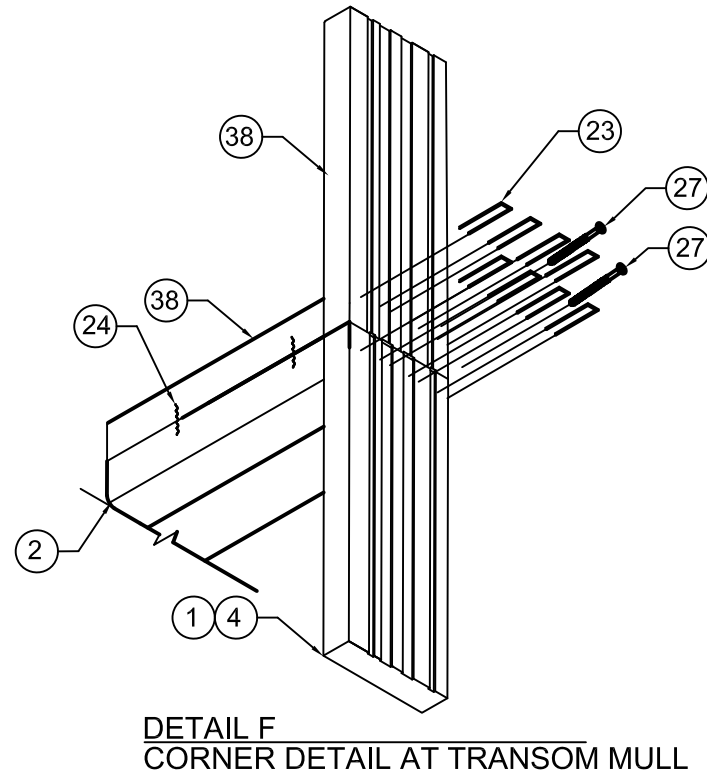
- NOTE
- 1 - USE #10 WOOD INSTALLATION SCREW W/ 1.50" MIN. EMBEDMENT WHEN INSTALLING INTO WOOD SUBSTRATE AT HEAD & JAMBS.
 - 2 - USE 3/16" ITW TAPCON ANCHOR W/ 1 1/4" MIN. EMBED. WHEN INSTALLING INTO CONCRETE/MASONRY SUBSTRATE AT SIDELITE SILLS.
 - 3 - SCREW AND TAPCON ANCHORS CAN BE EMBEDDED IN EITHER THE 1 1/4" OR 3/4" THICK PORTION OF THE JAMB AS LONG AS THE SUBSTRATE EMBEDMENT IS MAINTAINED.



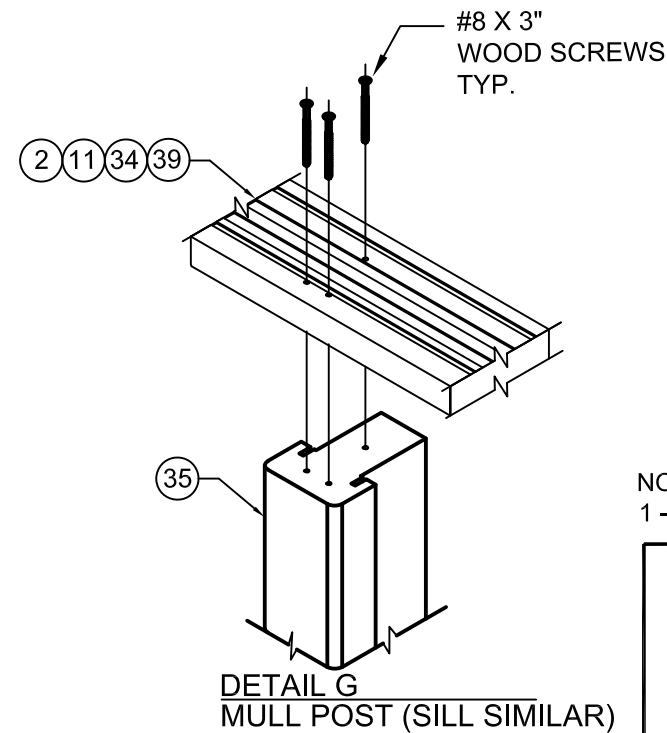
ANCHORING LOCATIONS TRI UNIT
INSWING/OUTSWING UNIT (OXO)
SCALE: 1/2" = 1'-0"



DETAIL E
LATCH & DEADBOLT STRIKE
PLATES



DETAIL F
CORNER DETAIL AT TRANSOM MULL



DETAIL G
MULL POST (SILL SIMILAR)

NOTE:
1 - ANCHOR SPACING FOR BOTH INSWING & OUTSWING.



Joseph A. Reed
2021.04.21 11:43:24 -04'00'

Joseph A. Reed, PE
Texas P.E. No. 100777
National Certified Testing Laboratories
5 Leigh Drive, York, PA 17406
(717) 846-1200

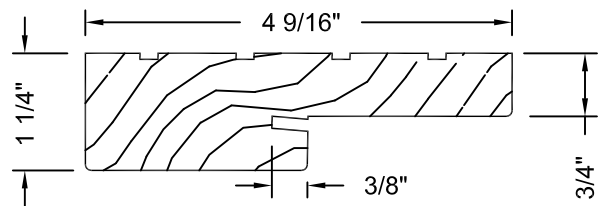
JELD-WEN, INC.
3737 LAKEPORT BLVD.
KLAMATH FALLS, OR, 97601
PH. 541-882-3451

PRODUCT:
ENERGY SAVER/CONTOUR, FULL LITE,
WOOD EDGE 5-4x8-0 (O/OXO)
INSWING/OUTSWING 24GA. STEEL DOOR

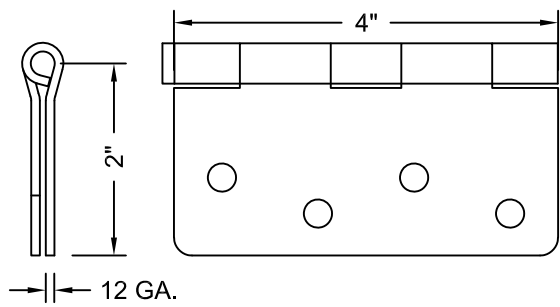
PART OR ASSEMBLY:
ANCHORING LOCATIONS
& DETAILS

NO.	DATE	BY	REVISIONS
B	01-24-20	TB	ADD ADA THRESHOLD
A	8-17-17	JH	CHANGED CORE

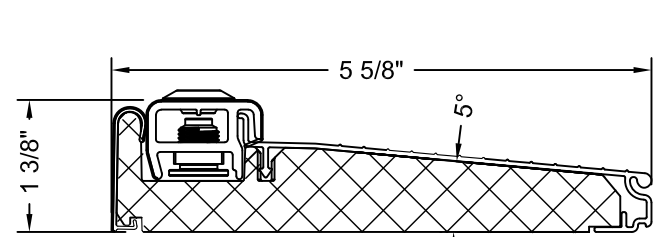
DATE:	12/31/09
SCALE:	AS SHOWN
DWG. BY:	G. LUBBECKE
CHK. BY:	S. FREY
DRAWING NO.:	JW172009
SHEET	15 OF 16



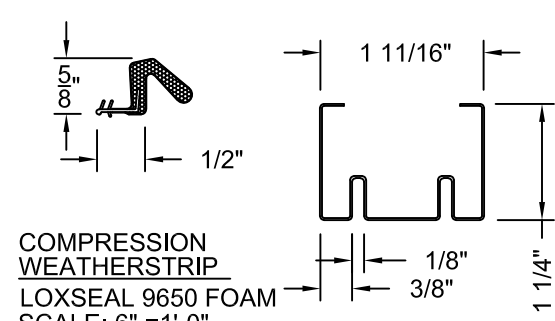
1 WOOD JAMB FINGERJOINTED PINE
SCALE: 6" = 1'-0"



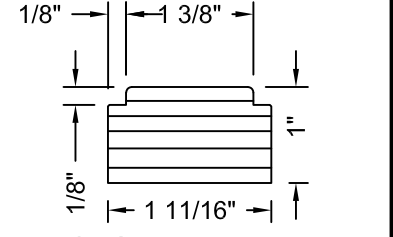
6 BUTT HINGE 4x4x12 GA. STEEL
SCALE: 6" = 1'-0"



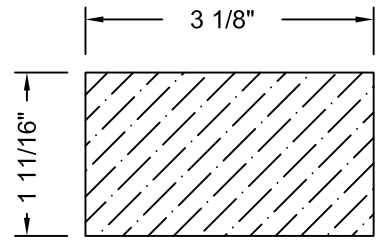
11 INSWING THRESHOLD
6063 T5 AL AND COMPOSITE
SCALE: 6" = 1'-0"



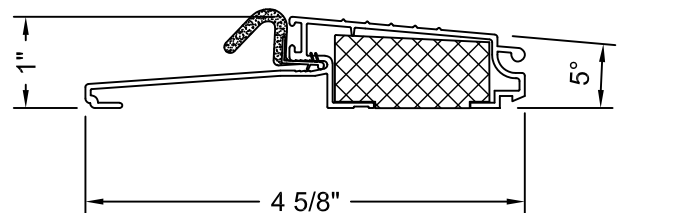
10 COMPRESSION WEATHERSTRIP
LOXSEAL 9650 FOAM
SCALE: 6" = 1'-0"



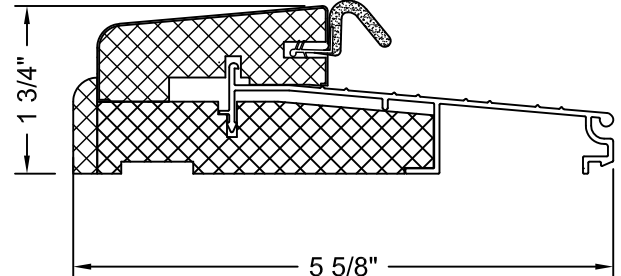
16 LATCH STILE TOP RAIL HINGE STILE
LAMINATED VENEER LUMBER (LVL)
SCALE: 6" = 1'-0"



20 LOCK BLOCK FINGERJOINTED PINE
SCALE: 6" = 1'-0"

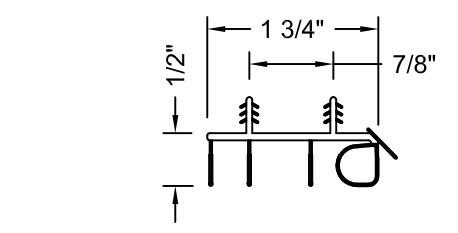


34 OUTSWING THRESHOLD (ALTERNATE)
6063 T5 AL AND COMPOSITE
SCALE: 6" = 1'-0"

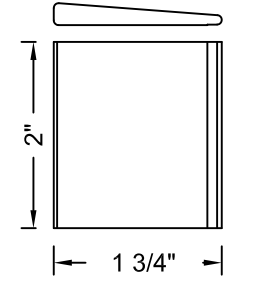


39 OUTSWING THRESHOLD
6063 T5 AL AND COMPOSITE
SCALE: 6" = 1'-0"

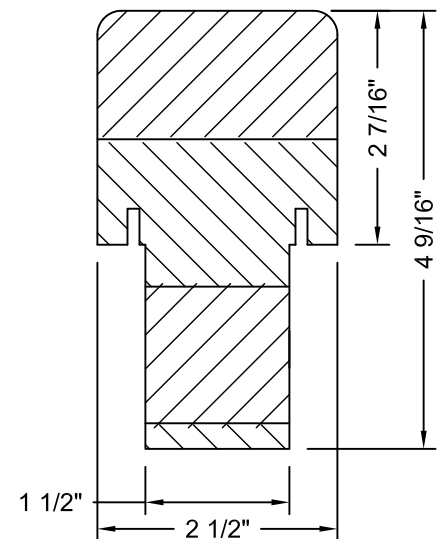
17 BOTTOM RAIL
25 GA. STEEL
SCALE: 6" = 1'-0"



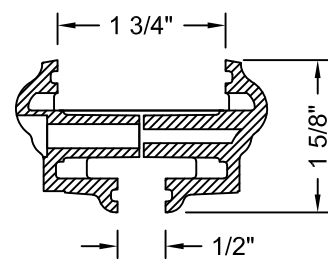
32 DOOR BOTTOM SWEEP
VINYL
SCALE: 6" = 1'-0"



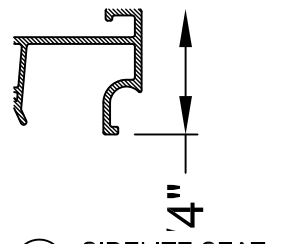
33 CORNER PADS
PLASTIC
SCALE: 6" = 1'-0"



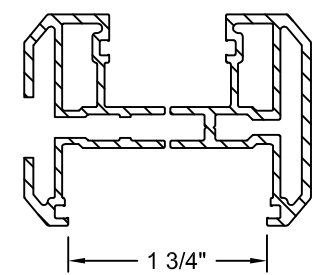
35 MULL POST
EDGE GLUED FINGERJOINTED PINE
SCALE: 6" = 1'-0"



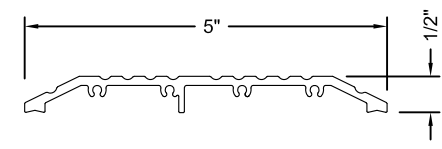
21 ODL LIP FRAME
PLASTIC
SCALE: 6" = 1'-0"



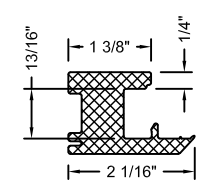
15 SIDELITE SEAT
EXTRUDED VINYL
SCALE: 6" = 1'-0"



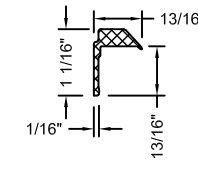
47 FLAT LITE KIT
20 1/2" MAX. D.L.O. WIDTH
62 5/8" MAX D.L.O. HEIGHT
3-0 X 6-8, 6-0 X 6-8



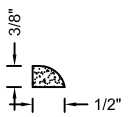
48 OPERABLE ADA SILL
ALUMINUM



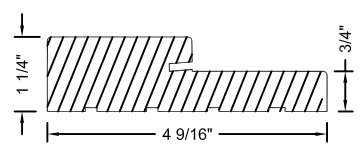
46 TRANSOM SASH
CELLULAR PVC
SCALE: 6" = 1'-0"



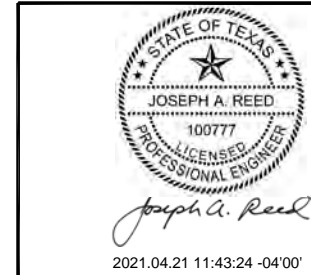
45 TRANSOM GLAZING CLIP
CELLULAR PVC
SCALE: 6" = 1'-0"



43 TRANSOM CORNER TRIM
PLASTIC
SCALE: 6" = 1'-0"



38 TRANSOM JAMB
FINGERJOINTED PINE
SCALE: 6" = 1'-0"



Joseph A. Reed, PE
Texas P.E. No. 100777
National Certified Testing Laboratories
5 Leigh Drive, York, PA 17406
(717) 846-1200

PRODUCT:
ENERGY SAVER/CONTOUR, FULL LITE,
WOOD EDGE 5-4x8-0 (O/OXO)
INSWING/OUTSWING 24GA. STEEL DOOR
PART OR ASSEMBLY:
UNIT COMPONENTS

NO.	DATE	BY	REVISIONS
B	01-24-20	JH	ADD ADA THRESHOLD
A	8-17-17	JH	CHANGED CORE

DATE: 12/31/09
SCALE: AS SHOWN
DWG. BY: S. LUBBECKE
CHK. BY: S. FREY
DRAWING NO.: JW172009
SHEET 16 OF 16