

REVISIONS			
REV	DESCRIPTION	DATE	APPROVED
A	REVISED PER NEW CODE	02/08/2021	R.L.

NOTES:

1. THE PRODUCT SHOWN HEREIN IS DESIGNED AND MANUFACTURED TO COMPLY WITH REQUIREMENTS OF THE 2018 IBC AND 2018 IRC.
2. WOOD FRAMING AND MASONRY OPENING TO BE DESIGNED AND ANCHORED TO PROPERLY TRANSFER ALL LOADS TO STRUCTURE. FRAMING AND MASONRY OPENING IS THE RESPONSIBILITY OF THE ARCHITECT OR ENGINEER OF RECORD.
3. 1X BUCK OVER MASONRY/CONCRETE IS OPTIONAL.
4. WHERE SHIM OR BUCK THICKNESS IS LESS THAN 1-1/2" UNITS MUST BE ANCHORED THROUGH THE FRAME IN ACCORDANCE WITH MANUFACTURER'S PUBLISHED INSTALLATION INSTRUCTIONS. ANCHORS SHALL BE SECURELY FASTENED DIRECTLY INTO MASONRY, CONCRETE OR OTHER STRUCTURAL SUBSTRATE MATERIAL.
5. WHERE WOOD BUCK THICKNESS IS 1-1/2" OR GREATER, BUCK SHALL BE SECURELY FASTENED TO MASONRY, CONCRETE OR OTHER STRUCTURAL SUBSTRATE. UNITS MAY BE ANCHORED THROUGH FRAME TO SECURED WOOD BUCK IN ACCORDANCE WITH MANUFACTURER'S PUBLISHED INSTALLATION INSTRUCTIONS.
6. WHERE 1X BUCK IS NOT USED DISSIMILAR MATERIALS MUST BE SEPARATED WITH APPROVED COATING OR MEMBRANE. SELECTION OF COATING OR MEMBRANE IS THE RESPONSIBILITY OF THE ARCHITECT OR ENGINEER OF RECORD.
7. BUCKS SHALL BE EXTEND BEYOND UNIT FRAME INTERIOR FACE SO THAT FULL FRAME SUPPORT IS PROVIDED.
8. SHIM AS REQUIRED AT EACH INSTALLATION ANCHOR WITH LOAD BEARING SHIM. SHIM WHERE SPACE OF 1/16" OR GREATER OCCURS. MAXIMUM ALLOWABLE SHIM STACK TO BE 1/4".
9. SHIMS SHALL BE LOCATED, APPLIED AND MADE FROM MATERIALS AND THICKNESS CAPABLE OF SUSTAINING APPLICABLE LOADS.
10. WIND LOAD DURATION FACTOR Cd=1.6 WAS USED FOR WOOD ANCHOR CALCULATIONS.
11. UNITS MUST BE GLAZED PER ASTM E1300, SEE SHEET 11 FOR GLASS DETAILS.
12. APPROVED IMPACT PROTECTIVE SYSTEM IS NOT REQUIRED FOR THIS PRODUCT IN WIND BORNE DEBRIS REGIONS.
13. FOR ANCHORING INTO WOOD FRAMING OR 2X BUCK USE #10 WOOD SCREWS WITH SUFFICIENT LENGTH TO ACHIEVE A 1 1/4" MINIMUM EMBEDMENT INTO SUBSTRATE. LOCATE ANCHORS AS SHOWN IN ELEVATIONS AND INSTALLATION DETAILS.
14. FOR ANCHORING INTO MASONRY/CONCRETE USE 3/16" TAPCONS WITH SUFFICIENT LENGTH TO ACHIEVE A 1 1/4" MINIMUM EMBEDMENT INTO SUBSTRATE WITH 2" MINIMUM EDGE DISTANCE. LOCATE ANCHORS AS SHOWN IN ELEVATIONS AND INSTALLATION DETAILS.
15. FOR ANCHORING INTO METAL STRUCTURE USE #10 SMS OR SELF DRILLING SCREWS WITH SUFFICIENT LENGTH TO ACHIEVE 3 THREADS MINIMUM BEYOND STRUCTURE INTERIOR WALL. LOCATE ANCHORS AS SHOWN IN ELEVATIONS AND INSTALLATION DETAILS.

16. ALL FASTENERS TO BE CORROSION RESISTANT.
17. INSTALLATION ANCHORS SHALL BE INSTALLED IN ACCORDANCE WITH ANCHOR MANUFACTURER'S INSTALLATION INSTRUCTIONS AND ANCHORS SHALL NOT BE USED IN SUBSTRATES WITH STRENGTHS LESS THAN THE MINIMUM STRENGTH SPECIFIED BELOW:
 - A. WOOD – MINIMUM SPECIFIC GRAVITY OF G=0.42
 - B. CONCRETE – MINIMUM COMPRESSIVE STRENGTH OF 3,192 PSI.
 - C. MASONRY – STRENGTH CONFORMANCE TO ASTM C-90, GRADE N, TYPE 1 (OR GREATER).
 - D. METAL STRUCTURE – STEEL 18GA (.048") FY=33KSI/FU=52KSI OR ALUMINUM 6063-T5 FU=30KSI .125" THICK MINIMUM.
18. FRAME JAMB AND HEAD MATERIAL: CO-EXTRUDED PVC FOAM 1 1/2" THICK.
19. FRAME SILL MATERIAL: CO-EXTRUDED PVC FOAM 1 1/2" THICK WITH ALUMINUM CLADDING .063" THICK.
20. DOOR PANEL AND SIDELITE MATERIAL: .075" THICK FIBERGLASS SKIN WITH PVC FOAM TOP AND BOTTOM RAILS, AND PVC FOAM VERTICAL STILES WITH PINE REINFORCEMENTS AND POLYURETHANE FOAM CORE.
21. APPROVED CONFIGURATIONS: X, OX, XO, XX, OXO, XXO AND OXX. SEE SHEET 2 AND 3.

TABLE OF CONTENTS	
SHEET NO.	DESCRIPTION
1	NOTES
2	OXX ELEVATION
3	ADDITIONAL CONFIGURATIONS
4	ANCHORING LAYOUTS
5 – 11	INSTALLATION DETAILS
12 – 13	COMPONENTS

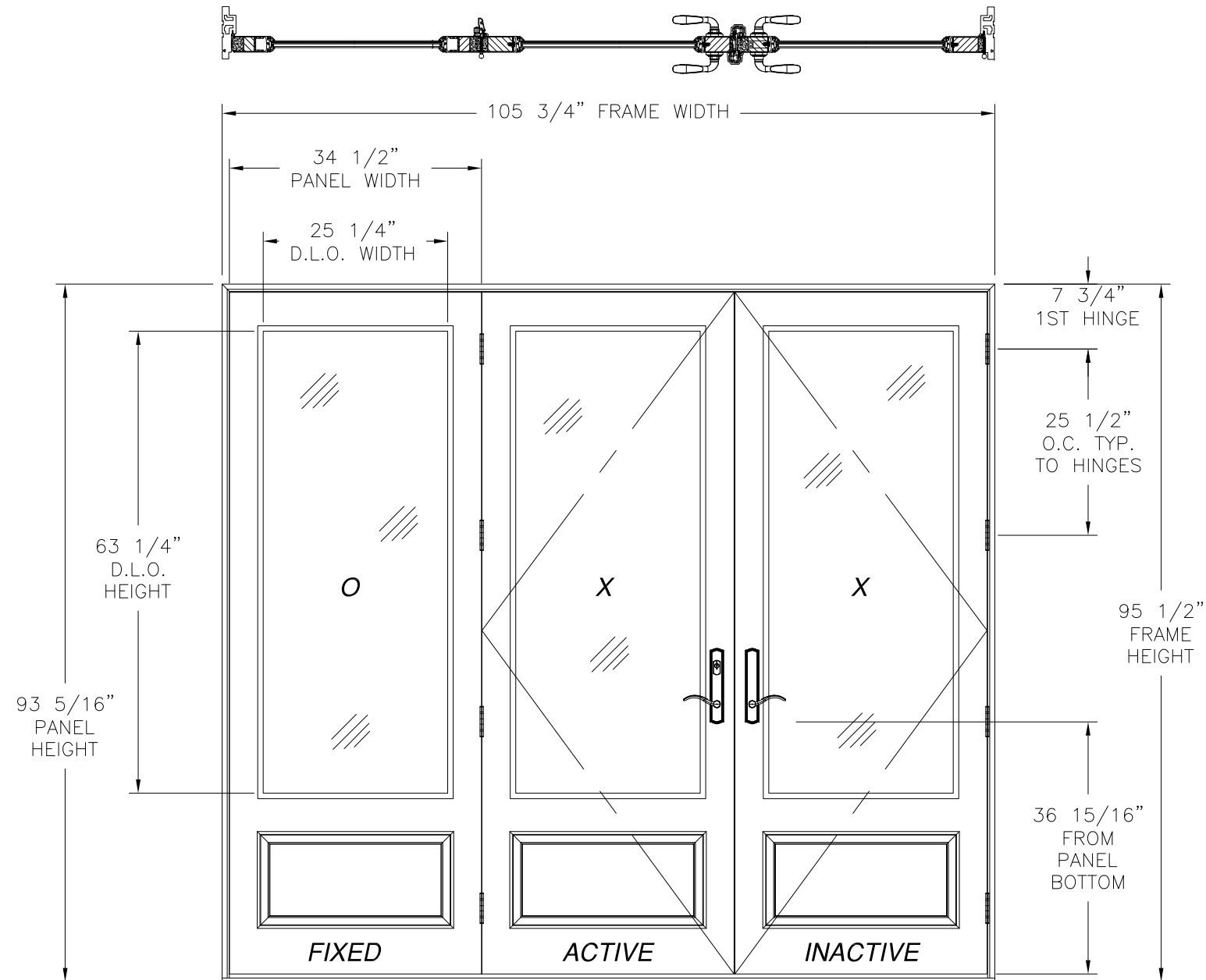
NAN YA PLASTICS CORP. USA 8989 NORTH LOOP EAST HOUSTON, TX 77029		
SERIES 8'0 3/4 LITE SIDE HINGED FIBERGLASS PATIO DOOR W/ & W/O SIDELITES NOTES		
DRAWN: A.R.	DWG NO. 08-03258	REV A
SCALE NTS	DATE 05/23/18	SHEET 1 OF 13
L. ROBERTO LOMAS P.E. 1432 WOODFORD RD LEWISVILLE, NC 27023 434-688-0609 rllomas@rlomaspe.com		

SIGNED: 04/08/2021



Luis R. Lomas P.E.
TX No.: 101889

REVISIONS			
REV	DESCRIPTION	DATE	APPROVED
A	REVISED PER NEW CODE	02/08/2021	R.L.



**SERIES 8'0 3/4 LITE SIDE HINGED FIBERGLASS
PATIO DOOR W/ SIDELITE
EXTERIOR VIEW**

DESIGN PRESSURE RATING	IMPACT RATING
±50.0PSF	LARGE AND SMALL MISSILE IMPACT

HARDWARE SCHEDULE

A.	(4) 4" X 4" STAINLESS STEEL BUTT HINGES AT EACH HINGE STILE OF EACH PANEL
B.	(1) ROYAL SERIES HANDLE SET AT LOCK STILE
C.	(1) MULTI-POINT (3 POINTS) WITH KEEPERS LOCKING SYSTEM AT LOCK STILE
D.	(2) STAINLESS STEEL TOP/BOTTOM BAR KEEPER AT FRAME HEAD/SILL
E.	(1) STEEL FLAT BAR REINFORCEMENT AT LOCK AND HINGE STILE
F.	(1) PIECE OF WOOD REINFORCEMENT AT BOTTOM RAIL
G.	(1) PIECE OF WOOD REINFORCEMENT AT TOP RAIL AND BELOW BOTTOM OF GLASS

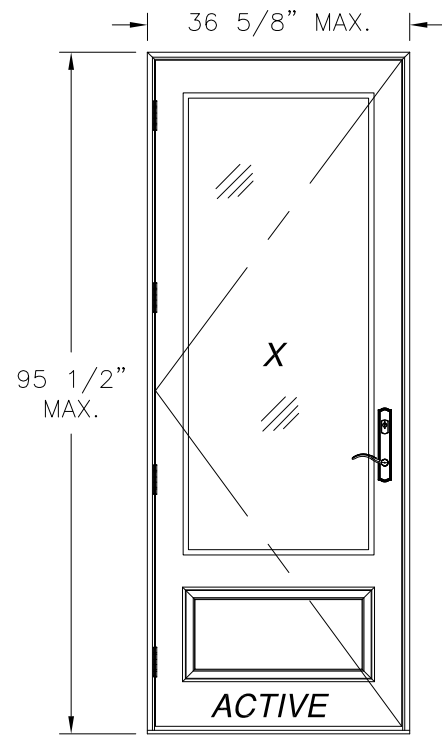
SIGNED: 04/08/2021

NAN YA PLASTICS CORP. USA 8989 NORTH LOOP EAST HOUSTON, TX 77029		
SERIES 8'0 3/4 LITE SIDE HINGED FIBERGLASS PATIO DOOR W/ & W/O SIDELITES OXX ELEVATION		
DRAWN: A.R.	DWG NO. 08-03258	REV A
SCALE NTS	DATE 05/23/18	SHEET 2 OF 13
L. ROBERTO LOMAS P.E. 1432 WOODFORD RD LEWISVILLE, NC 27023 434-688-0609 rllomas@rlomaspe.com		

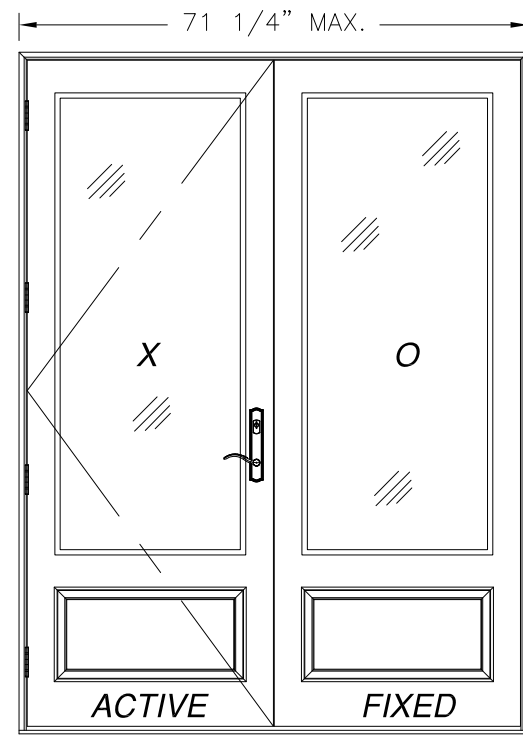


Luis R. Lomas P.E.
TX No.: 101889

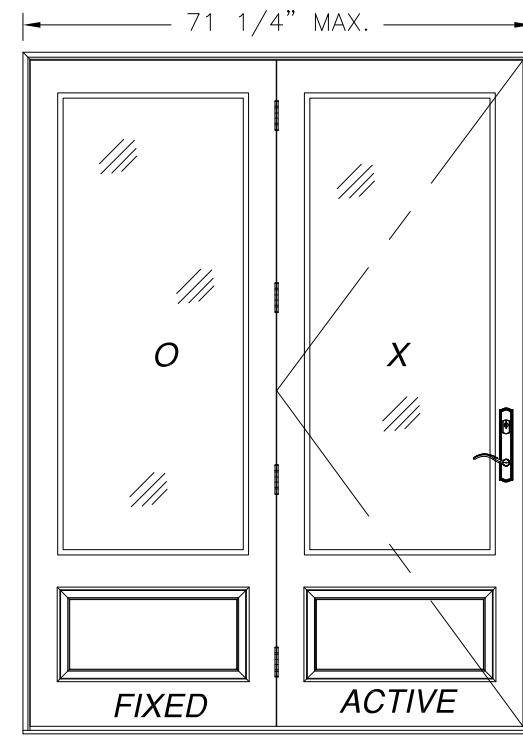
REVISIONS			
REV	DESCRIPTION	DATE	APPROVED
A	REVISED PER NEW CODE	02/08/2021	R.L.



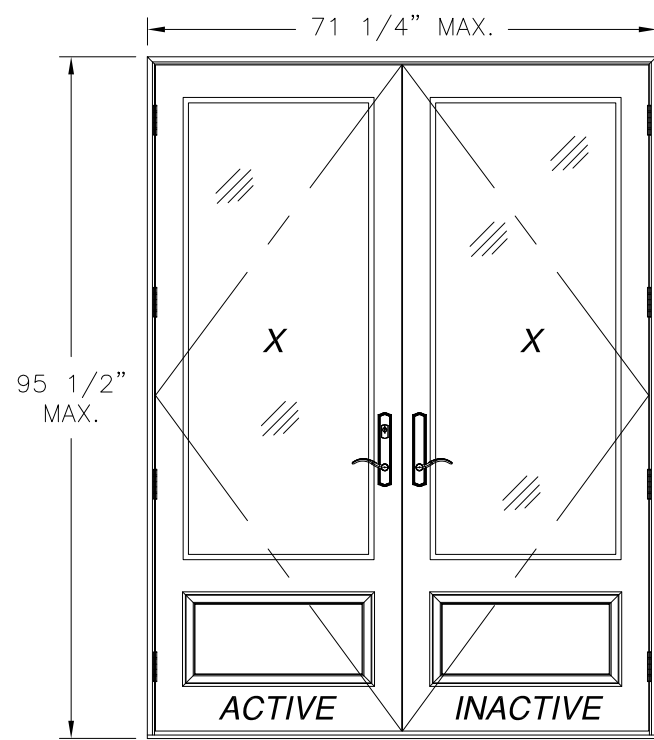
SINGLE
EXTERIOR VIEW



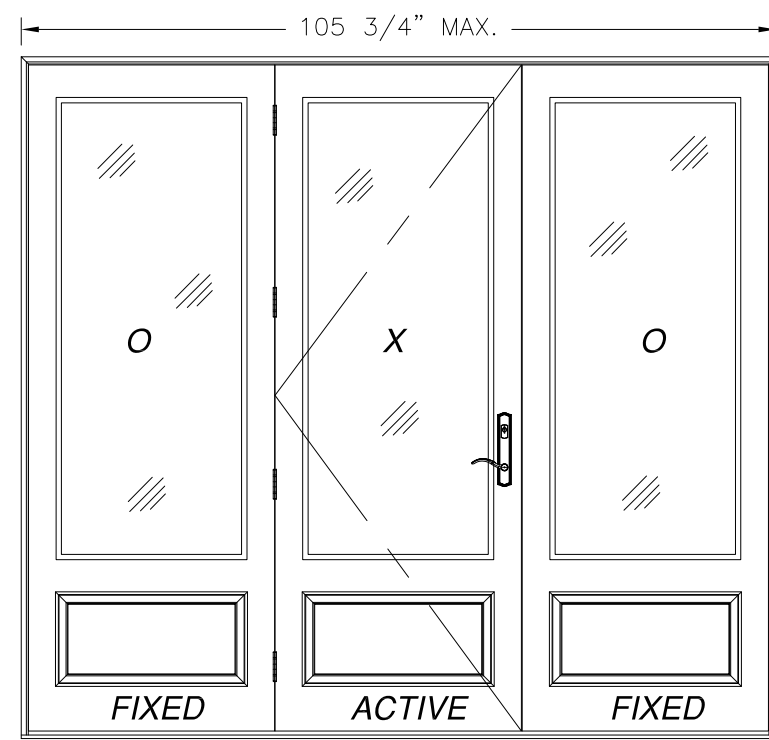
SINGLE W/SIDELITE
EXTERIOR VIEW



SINGLE W/SIDELITE
EXTERIOR VIEW



DOUBLE
EXTERIOR VIEW



SINGLE W/SIDELITES
EXTERIOR VIEW

NOTE:
ALL APPROVED CONFIGURATIONS ARE SHOWN AS LEFT HAND ACTIVE, RIGHT HAND ACTIVE IS ALSO APPROVED.

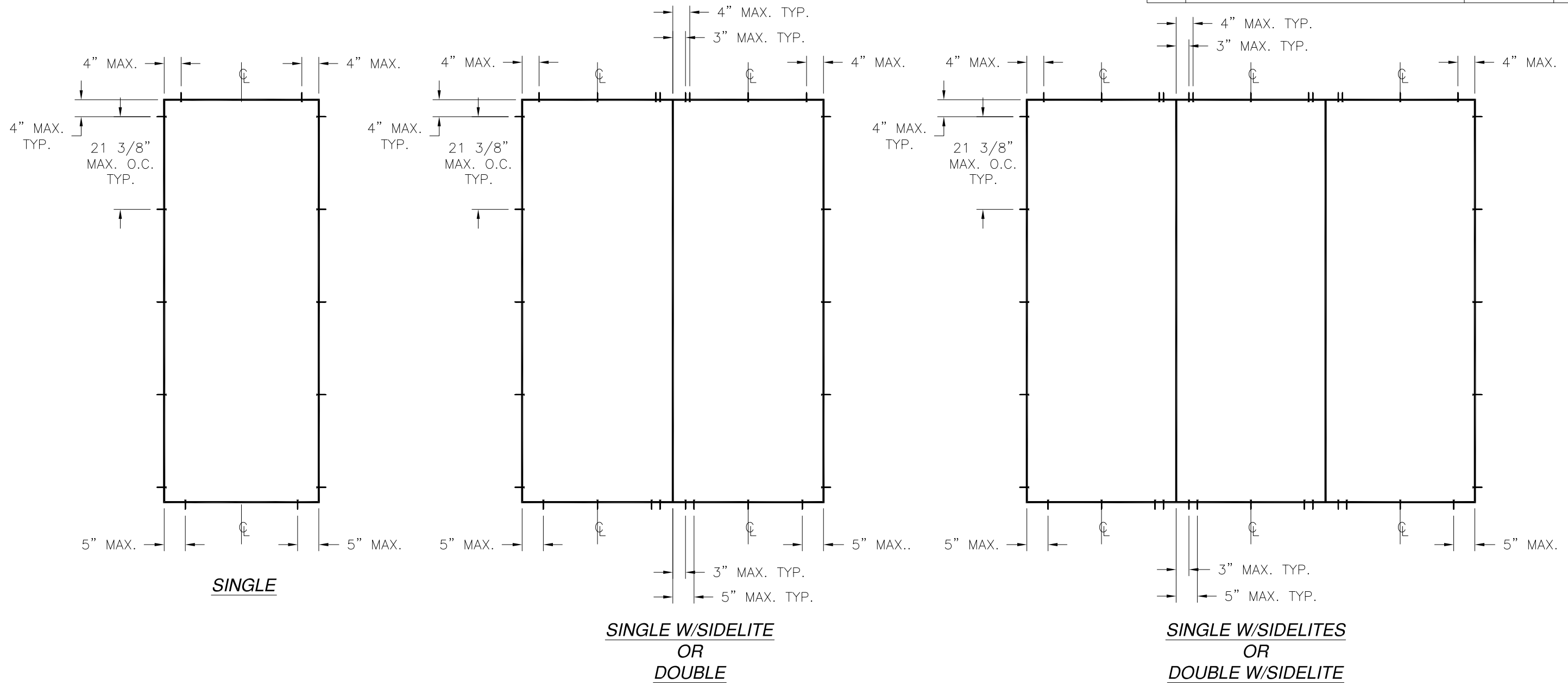
SIGNED: 04/08/2021

NAN YA PLASTICS CORP. USA 8989 NORTH LOOP EAST HOUSTON, TX 77029		
SERIES 8'0 3/4 LITE SIDE HINGED FIBERGLASS PATIO DOOR W/ & W/O SIDELITES ADDITIONAL CONFIGURATIONS		
DRAWN: A.R.	DWG NO. 08-03258	REV A
SCALE NTS	DATE 05/23/18	SHEET 3 OF 13
L. ROBERTO LOMAS P.E. 1432 WOODFORD RD LEWISVILLE, NC 27023 434-688-0609 rllomas@rlomaspe.com		



Luis R. Lomas P.E.
TX No.: 101889

REVISIONS			
REV	DESCRIPTION	DATE	APPROVED
A	REVISED PER NEW CODE	02/08/2021	R.L.



SIGNED: 04/08/2021

NAN YA PLASTICS CORP. USA
 8989 NORTH LOOP EAST
 HOUSTON, TX 77029

SERIES 8'0 3/4 LITE SIDE HINGED FIBERGLASS
 PATIO DOOR W/ & W/O SIDELITES
 ANCHORING LAYOUTS

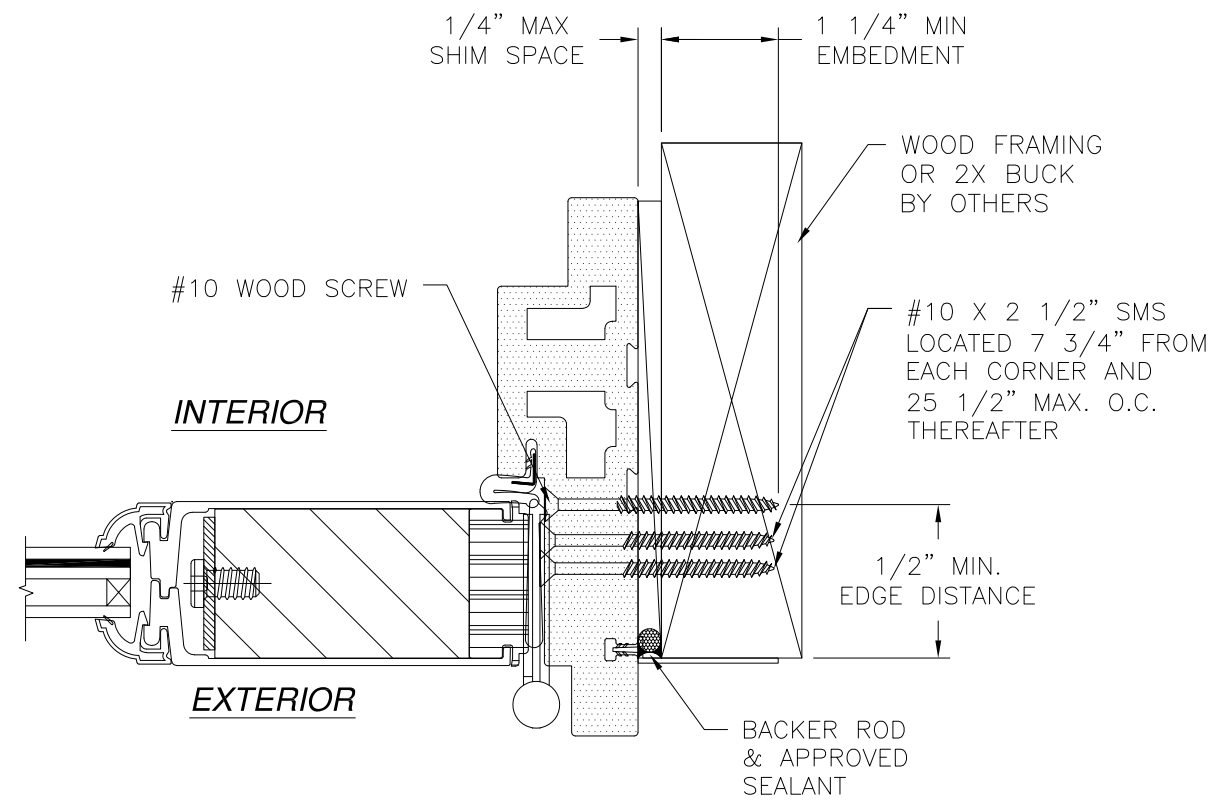
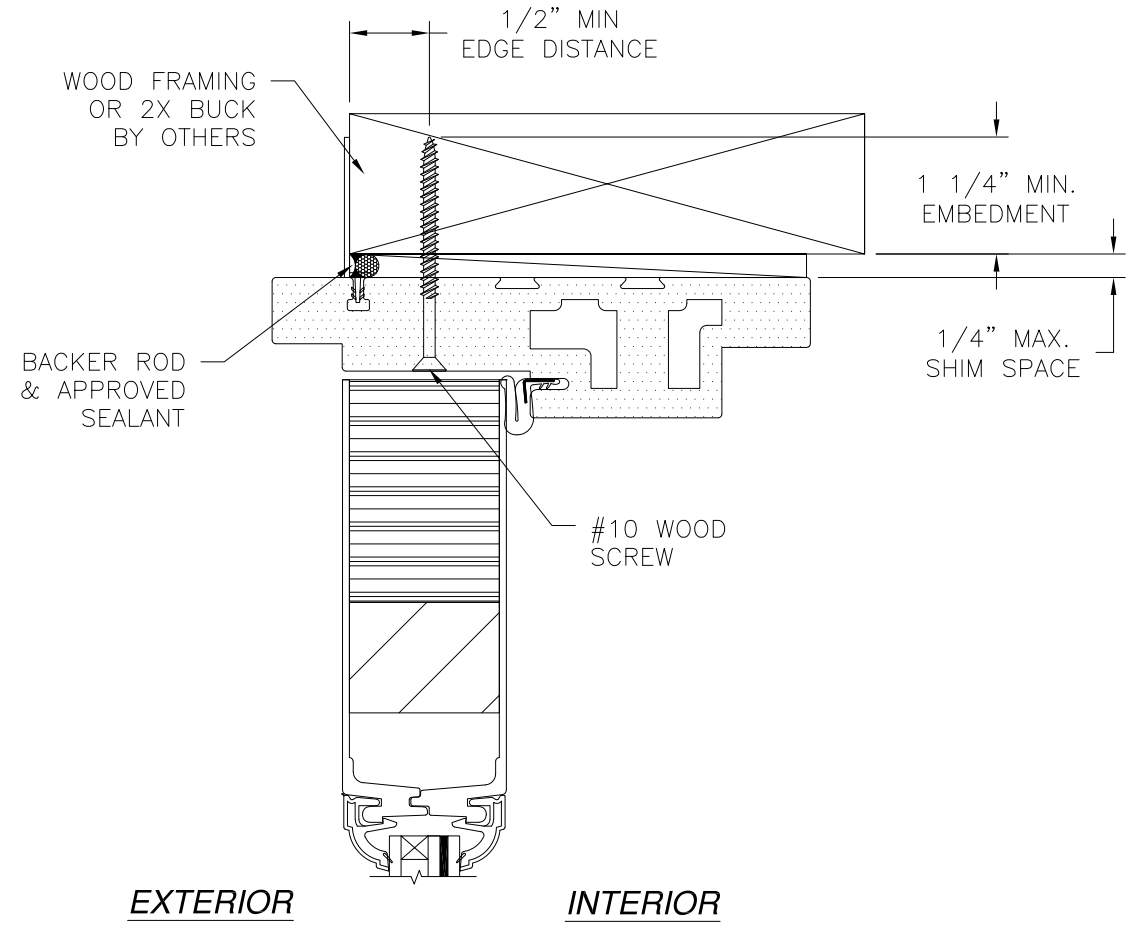
DRAWN: A.R.	DWG NO. 08-03258	REV A
SCALE NTS	DATE 05/23/18	SHEET 4 OF 13

L. ROBERTO LOMAS P.E.
 1432 WOODFORD RD LEWISVILLE, NC 27023
 434-688-0609 rllomas@rlomaspe.com

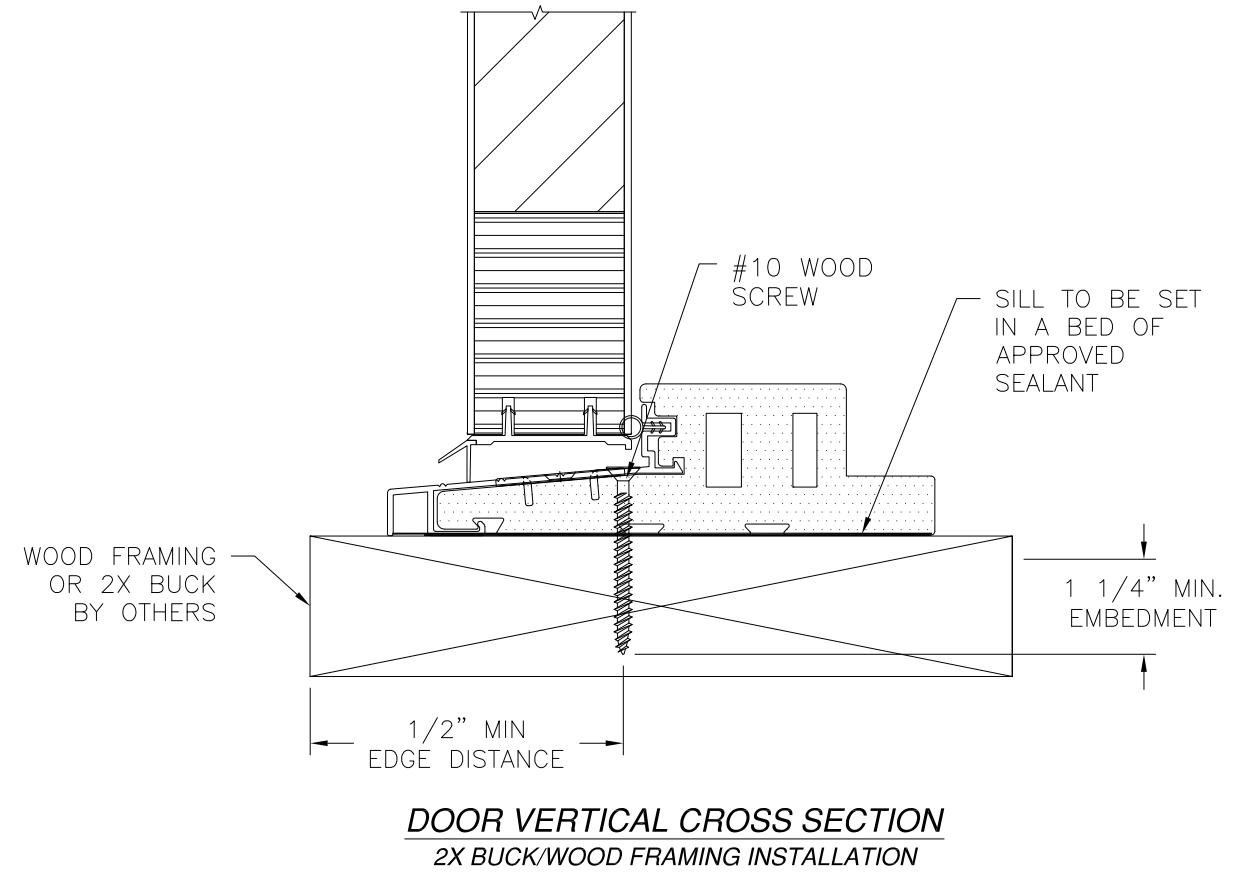


Luis R. Lomas P.E.
 TX No.: 101889

REVISIONS			
REV	DESCRIPTION	DATE	APPROVED
A	REVISED PER NEW CODE	02/08/2021	R.L.



DOOR HORIZONTAL CROSS SECTION
2X BUCK/WOOD FRAMING INSTALLATION



DOOR VERTICAL CROSS SECTION
2X BUCK/WOOD FRAMING INSTALLATION

- NOTES:**
1. INTERIOR AND EXTERIOR FINISHES, BY OTHERS, NOT SHOWN FOR CLARITY.
 2. PERIMETER AND JOINT SEALANT BY OTHERS TO BE DESIGNED IN ACCORDANCE WITH ASTM E2112

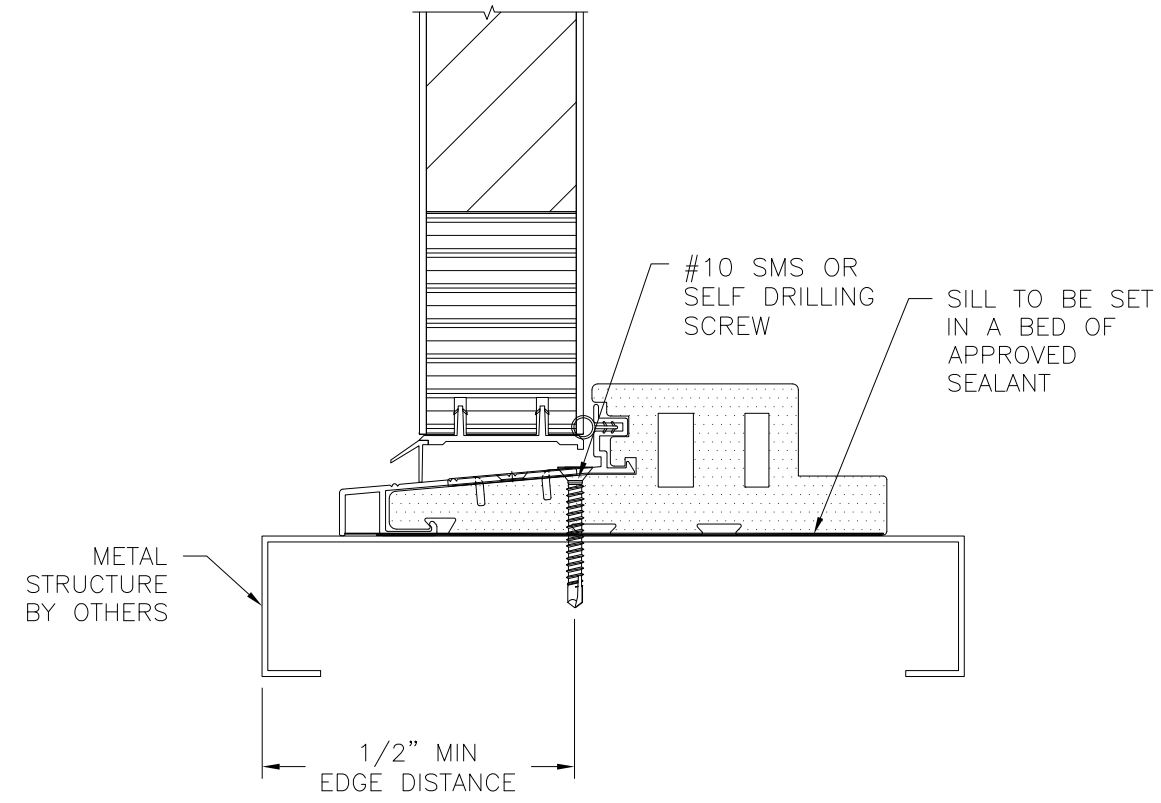
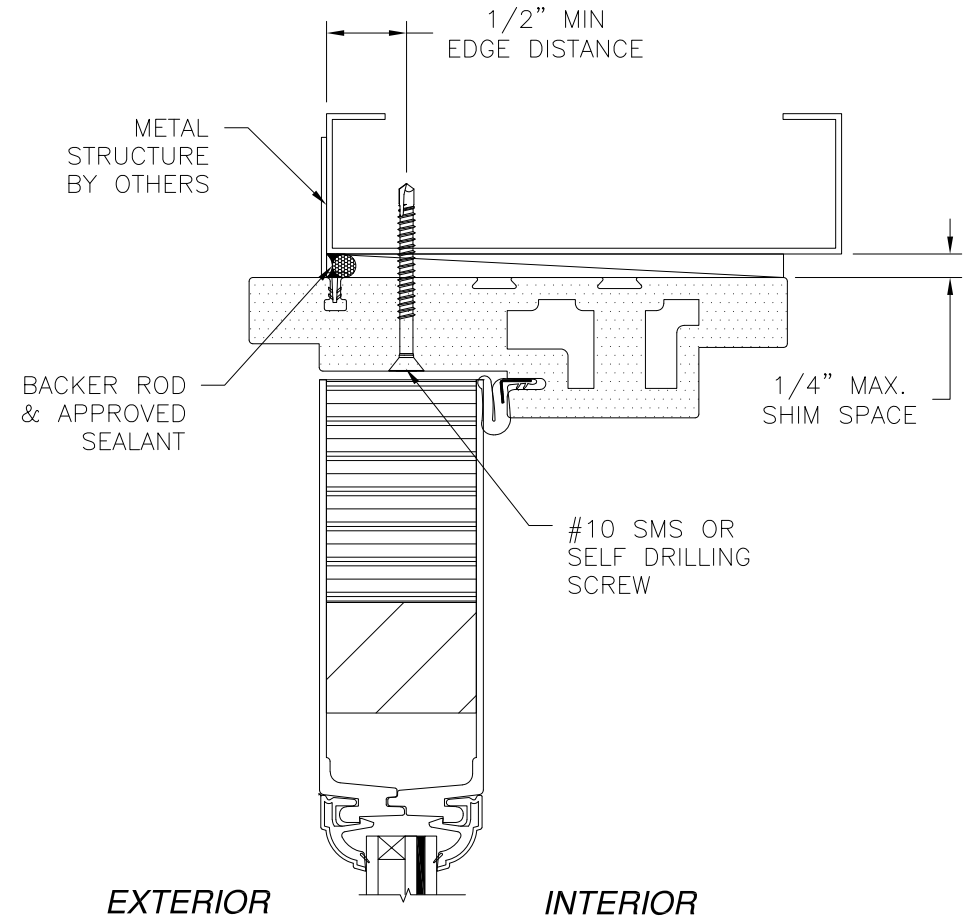
SIGNED: 04/08/2021

<p>NAN YA PLASTICS CORP. USA 8989 NORTH LOOP EAST HOUSTON, TX 77029</p>		
<p>SERIES 8'0 3/4 LITE SIDE HINGED FIBERGLASS PATIO DOOR W/ & W/O SIDELITES DOOR INSTALLATION DETAILS</p>		
<p>DRAWN: A.R.</p>	<p>DWG NO. 08-03258</p>	<p>REV A</p>
<p>SCALE NTS</p>	<p>DATE 05/23/18</p>	<p>SHEET 5 OF 13</p>
<p>L. ROBERTO LOMAS P.E. 1432 WOODFORD RD LEWISVILLE, NC 27023 434-688-0609 rllomas@rlomaspe.com</p>		

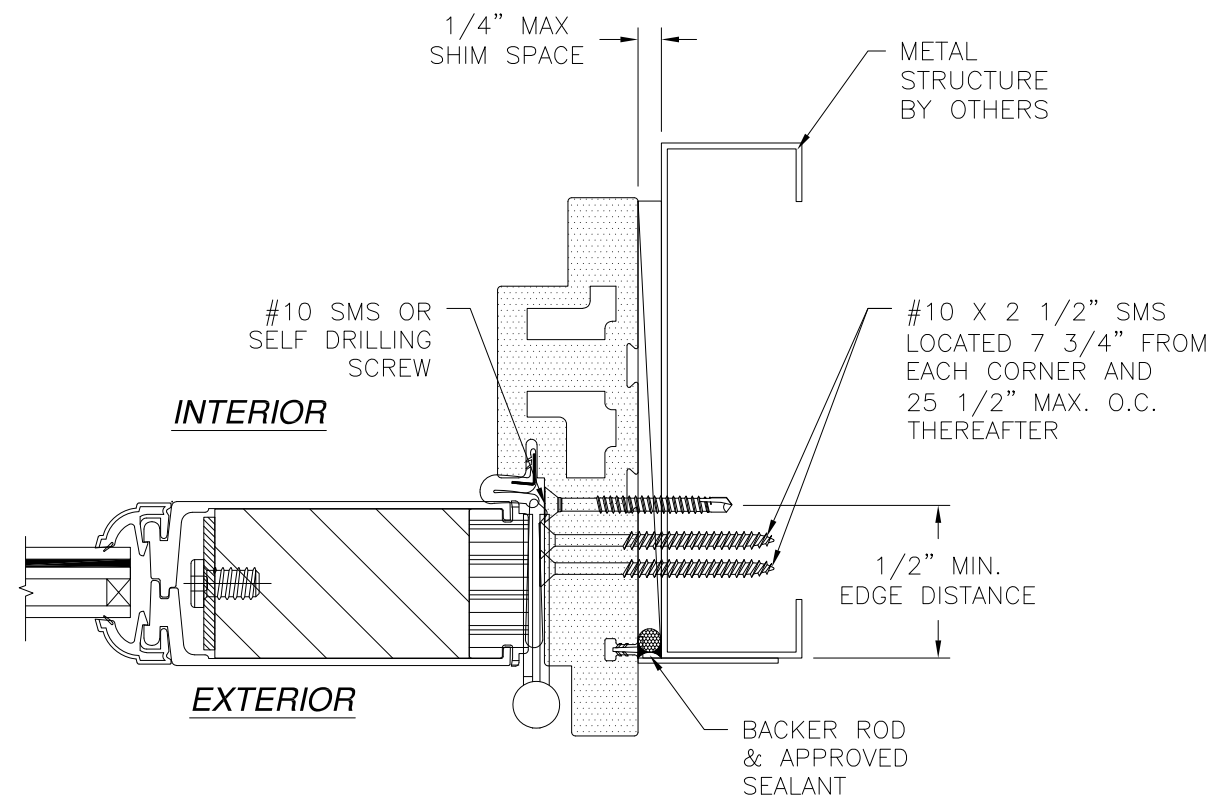


Luis R. Lomas P.E.
TX No.: 101889

REVISIONS			
REV	DESCRIPTION	DATE	APPROVED
A	REVISED PER NEW CODE	02/08/2021	R.L.



DOOR VERTICAL CROSS SECTION
METAL STRUCTURE INSTALLATION



DOOR HORIZONTAL CROSS SECTION
METAL STRUCTURE INSTALLATION

- NOTES:**
1. INTERIOR AND EXTERIOR FINISHES, BY OTHERS, NOT SHOWN FOR CLARITY.
 2. PERIMETER AND JOINT SEALANT BY OTHERS TO BE DESIGNED IN ACCORDANCE WITH ASTM E2112

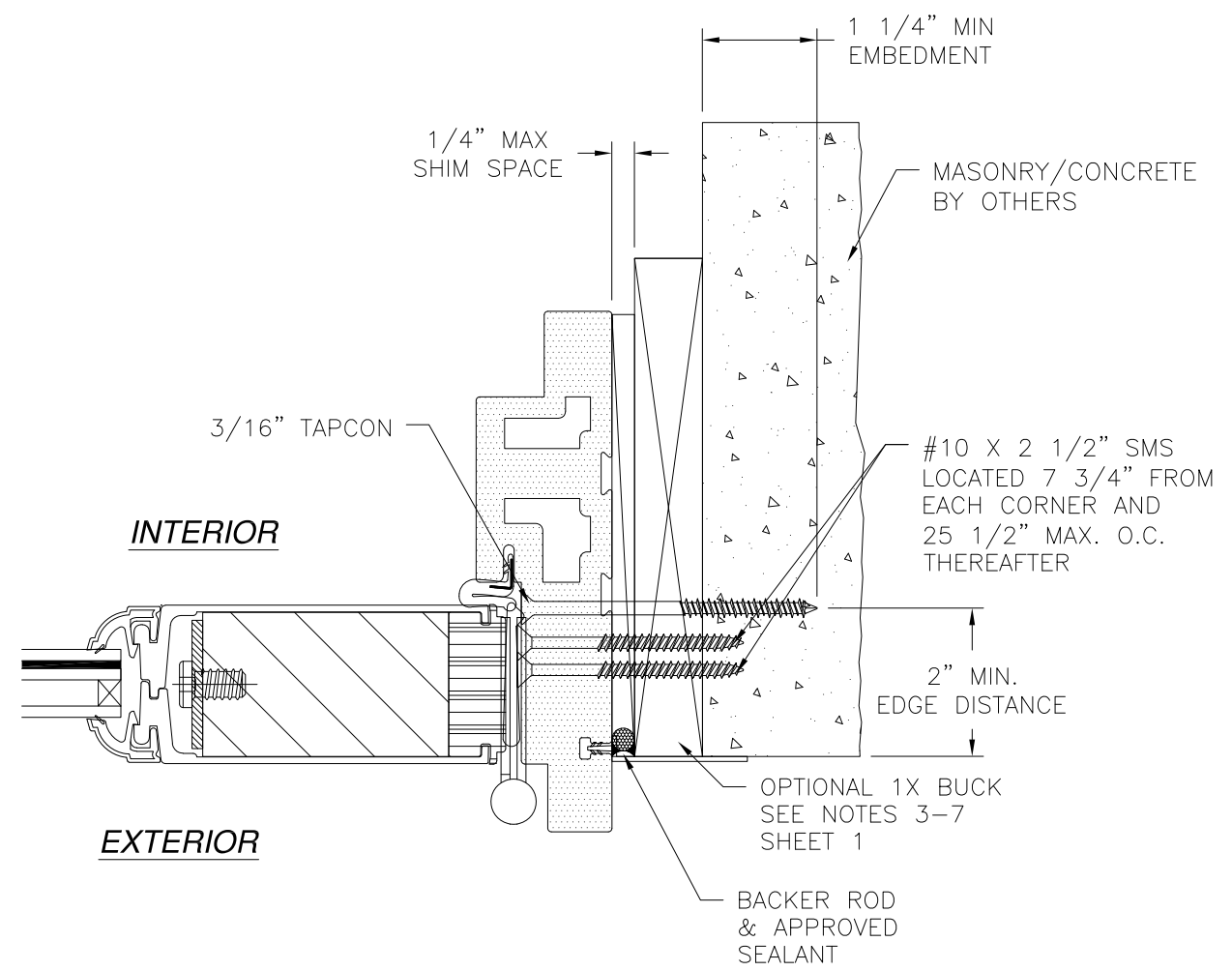
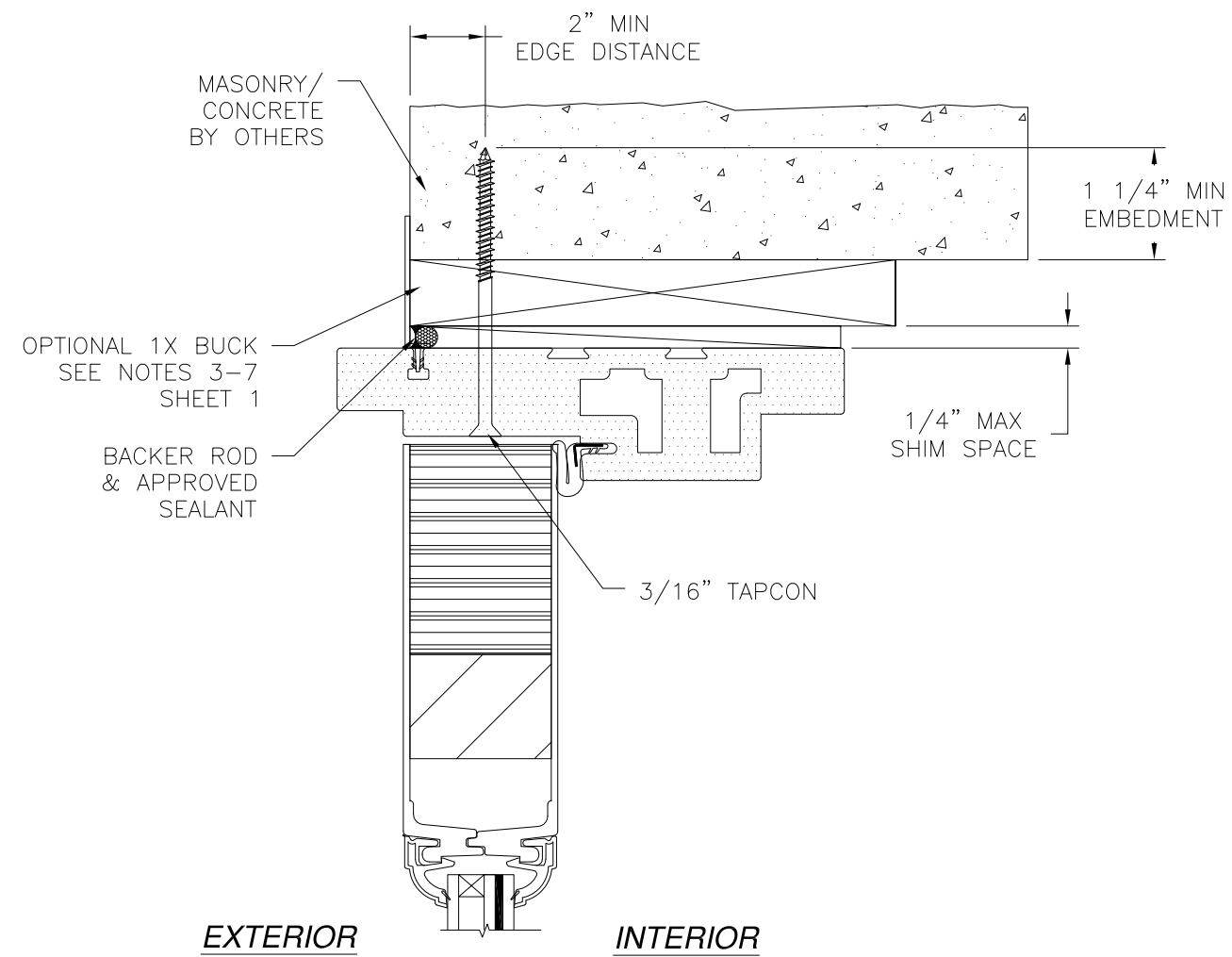
SIGNED: 04/08/2021

<p>NAN YA PLASTICS CORP. USA 8989 NORTH LOOP EAST HOUSTON, TX 77029</p>		
<p>SERIES 8'0 3/4 LITE SIDE HINGED FIBERGLASS PATIO DOOR W/ & W/O SIDELITES DOOR INSTALLATION DETAILS</p>		
<p>DRAWN: A.R.</p>	<p>DWG NO. 08-03258</p>	<p>REV A</p>
<p>SCALE NTS</p>	<p>DATE 05/23/18</p>	<p>SHEET 6 OF 13</p>
<p>L. ROBERTO LOMAS P.E. 1432 WOODFORD RD LEWISVILLE, NC 27023 434-688-0609 rllomas@lrlomaspe.com</p>		

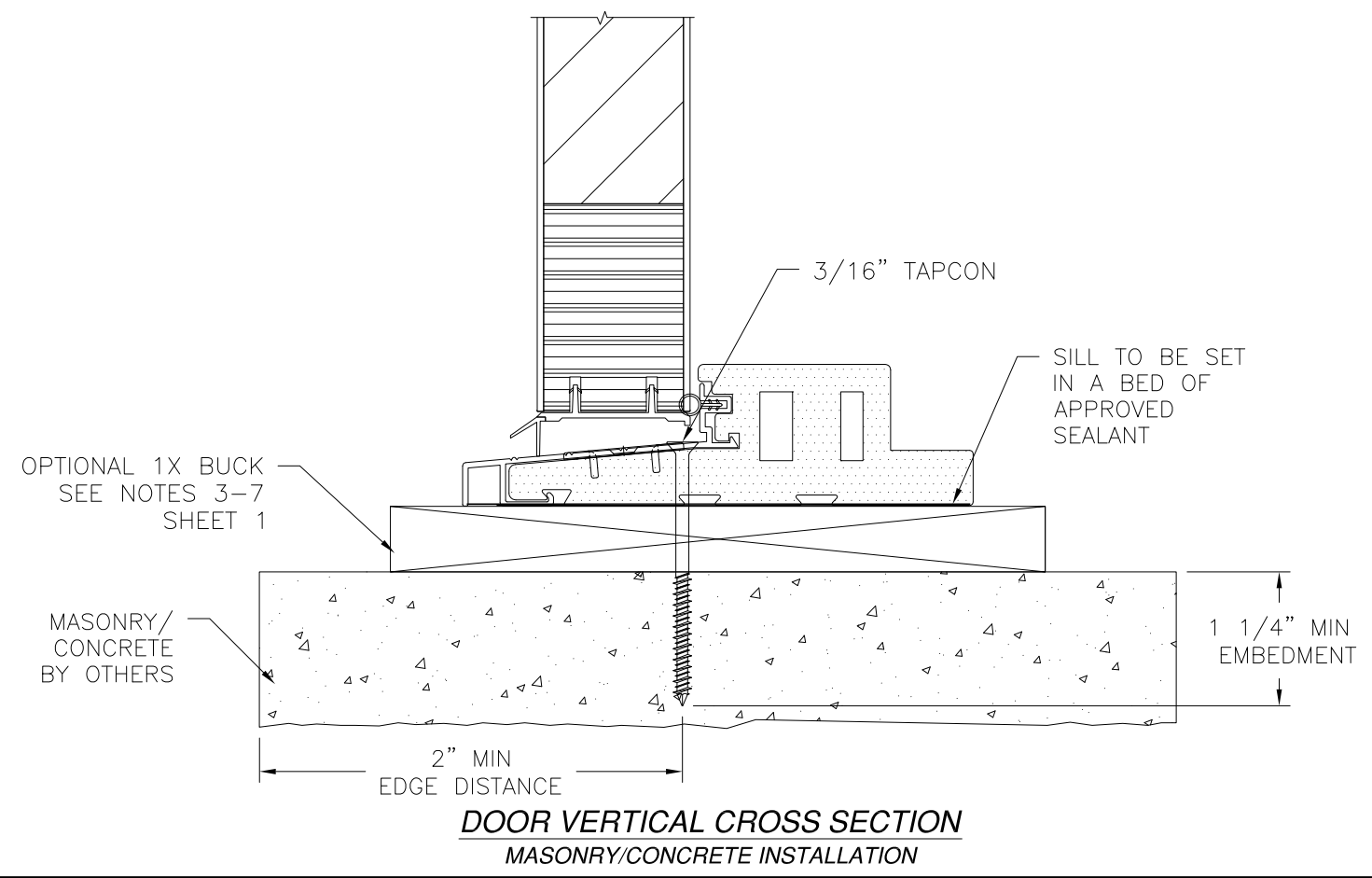


Luis R. Lomas P.E.
TX No.: 101889

REVISIONS			
REV	DESCRIPTION	DATE	APPROVED
A	REVISED PER NEW CODE	02/08/2021	R.L.



DOOR HORIZONTAL CROSS SECTION
MASONRY/CONCRETE INSTALLATION



DOOR VERTICAL CROSS SECTION
MASONRY/CONCRETE INSTALLATION

- NOTES:**
1. INTERIOR AND EXTERIOR FINISHES, BY OTHERS, NOT SHOWN FOR CLARITY.
 2. PERIMETER AND JOINT SEALANT BY OTHERS TO BE DESIGNED IN ACCORDANCE WITH ASTM E2112

SIGNED: 04/08/2021

NAN YA PLASTICS CORP. USA
8989 NORTH LOOP EAST
HOUSTON, TX 77029

SERIES 8'0 3/4 LITE SIDE HINGED FIBERGLASS
PATIO DOOR W/ & W/O SIDELITES
DOOR INSTALLATION DETAILS

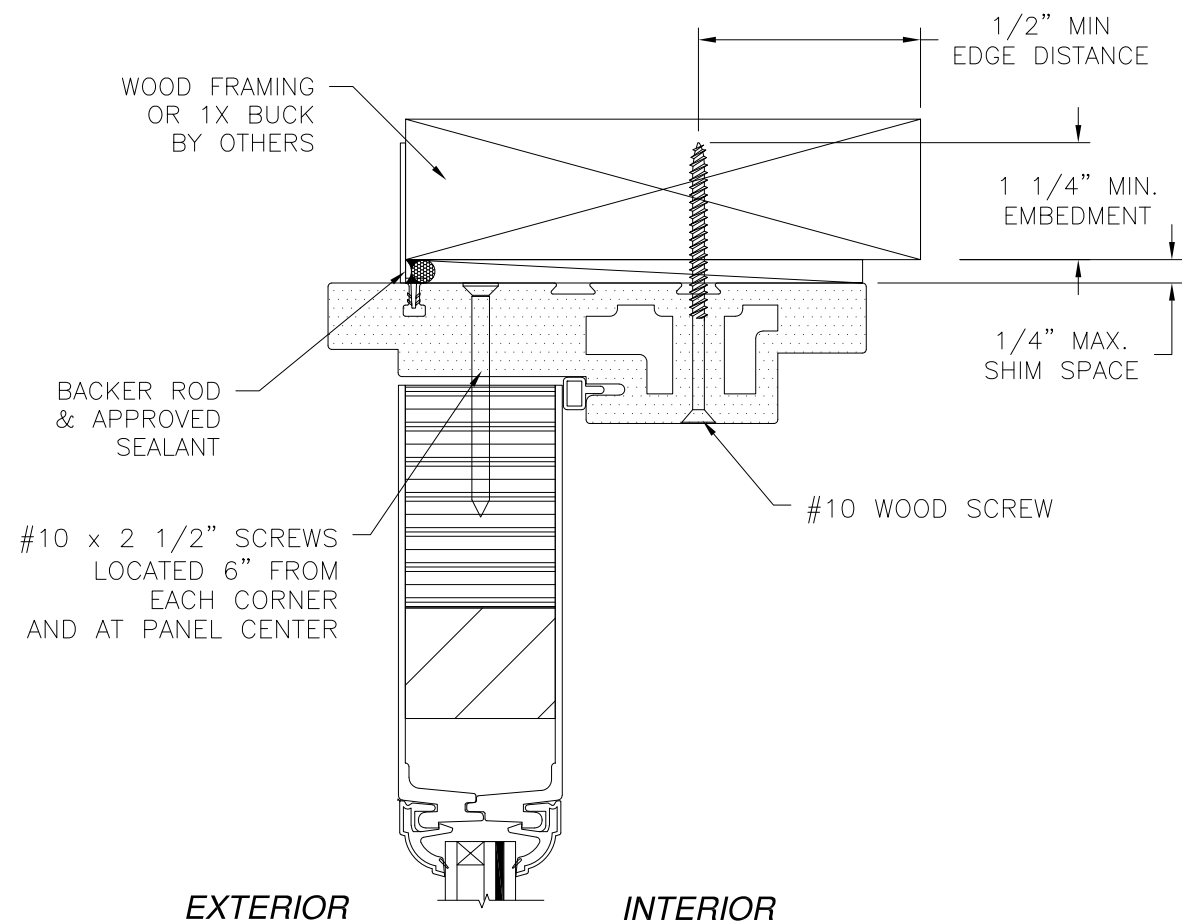
DRAWN: A.R.	DWG NO. 08-03258	REV A
SCALE NTS	DATE 05/23/18	SHEET 7 OF 13

L. ROBERTO LOMAS P.E.
1432 WOODFORD RD LEWISVILLE, NC 27023
434-688-0609 rllomas@rlomaspe.com



Luis R. Lomas P.E.
TX No.: 101889

REVISIONS			
REV	DESCRIPTION	DATE	APPROVED
A	REVISED PER NEW CODE	02/08/2021	R.L.



EXTERIOR **INTERIOR**

#10 x 2 1/2" SCREWS
LOCATED 6" FROM
EACH CORNER
AND AT PANEL CENTER

#10 WOOD
SCREW

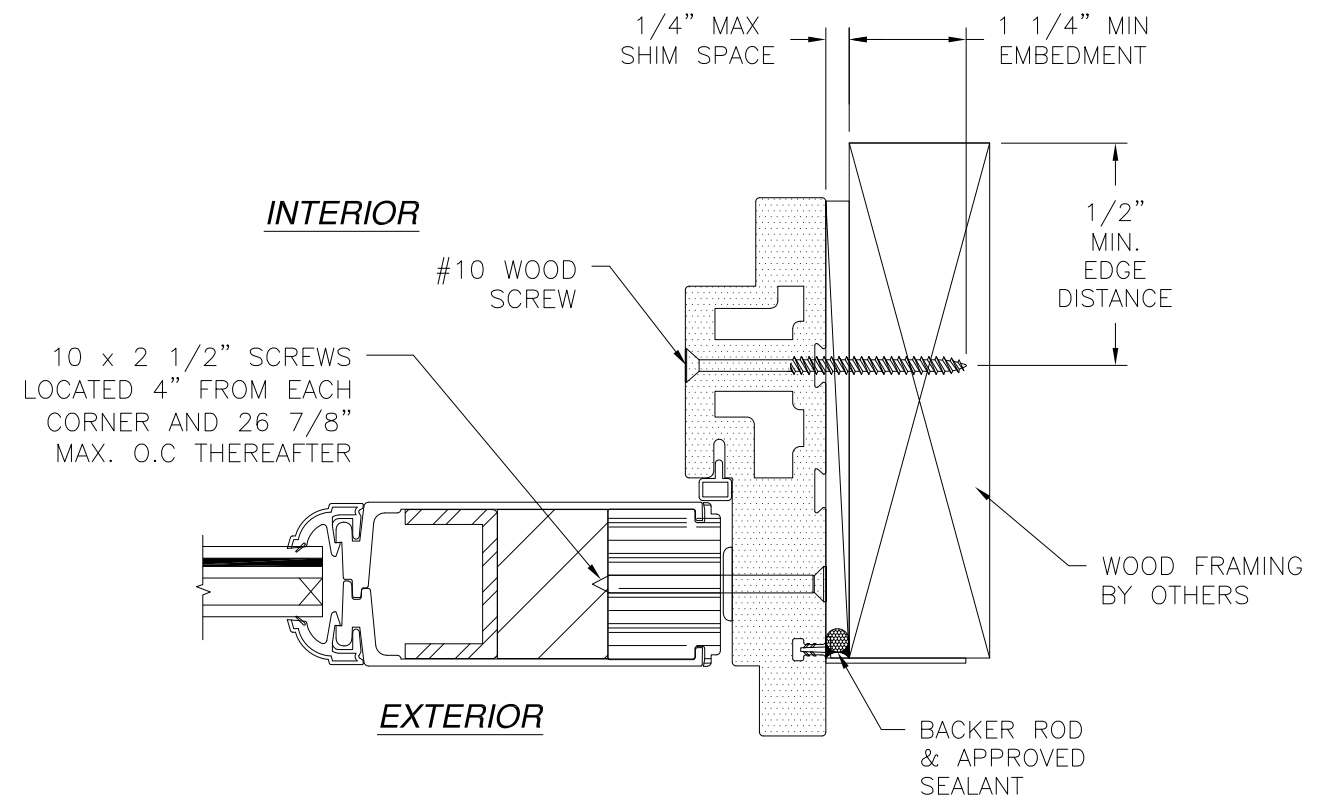
SILL TO BE SET
IN BED OF
APPROVED
SEALANT

WOOD FRAMING
BY OTHERS

1 1/4" MIN.
EMBEDMENT

1/2" MIN.
EDGE DISTANCE

SIDELITE VERTICAL CROSS SECTION
2X BUCK/WOOD FRAMING INSTALLATION



INTERIOR

#10 WOOD
SCREW

10 x 2 1/2" SCREWS
LOCATED 4" FROM EACH
CORNER AND 26 7/8"
MAX. O.C. THEREAFTER

EXTERIOR

WOOD FRAMING
BY OTHERS

BACKER ROD
& APPROVED
SEALANT

SIDELITE HORIZONTAL CROSS SECTION
2X BUCK/WOOD FRAMING INSTALLATION

NOTES:

1. INTERIOR AND EXTERIOR FINISHES, BY OTHERS, NOT SHOWN FOR CLARITY.
2. PERIMETER AND JOINT SEALANT BY OTHERS TO BE DESIGNED IN ACCORDANCE WITH ASTM E2112

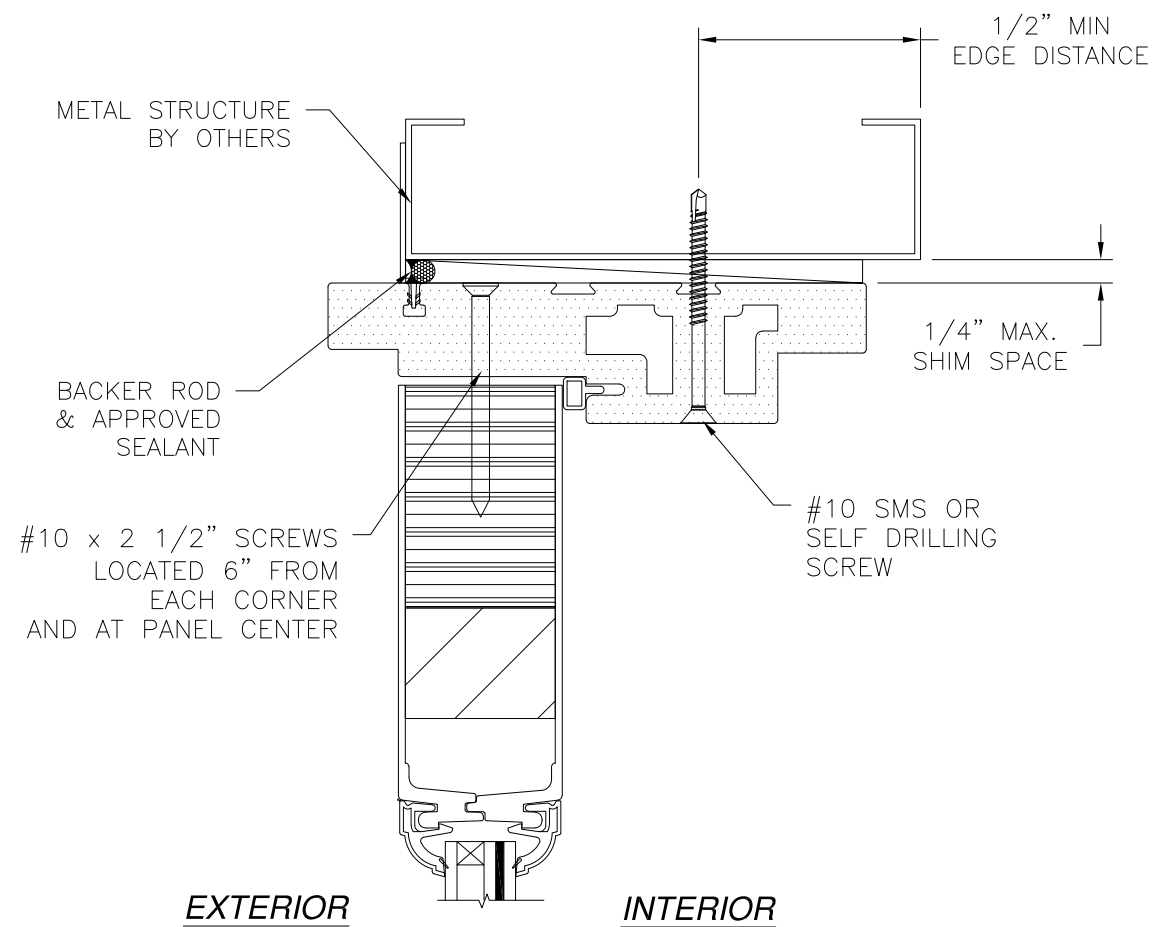
SIGNED: 04/08/2021

<p>NAN YA PLASTICS CORP. USA 8989 NORTH LOOP EAST HOUSTON, TX 77029</p>		
<p>SERIES 8'0 3/4 LITE SIDE HINGED FIBERGLASS PATIO DOOR W/ & W/O SIDELITES SIDELITE INSTALLATION DETAILS</p>		
<p>DRAWN: A.R.</p>	<p>DWG NO. 08-03258</p>	<p>REV A</p>
<p>SCALE NTS</p>	<p>DATE 05/23/18</p>	<p>SHEET 8 OF 13</p>
<p>L. ROBERTO LOMAS P.E. 1432 WOODFORD RD LEWISVILLE, NC 27023 434-688-0609 rllomas@rlomaspe.com</p>		

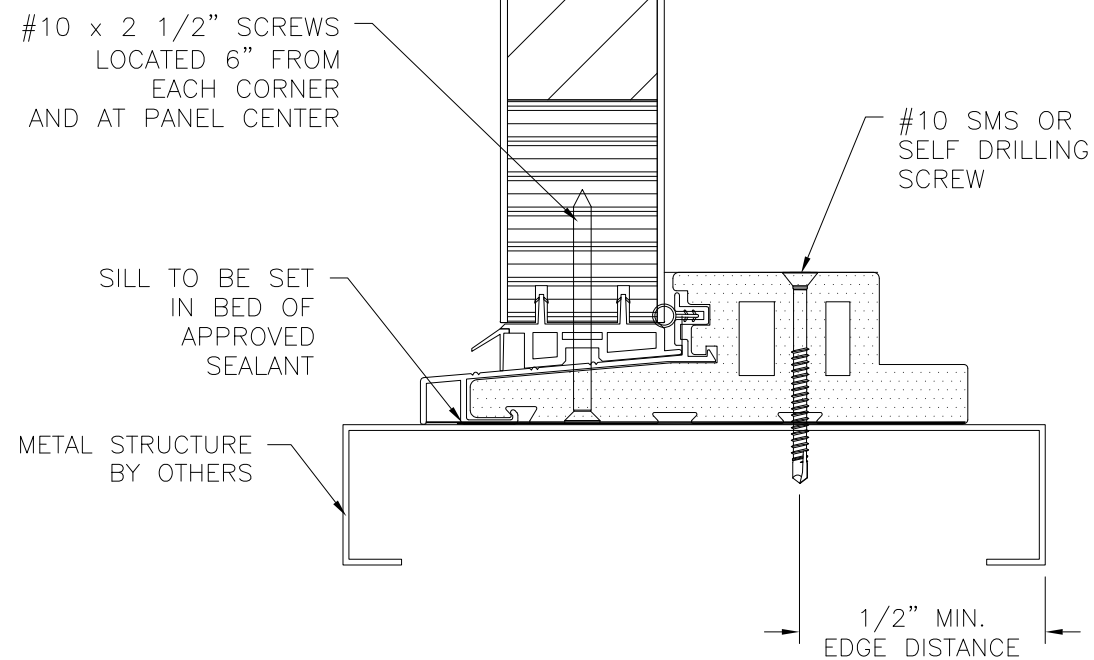


Luis R. Lomas P.E.
TX No.: 101889

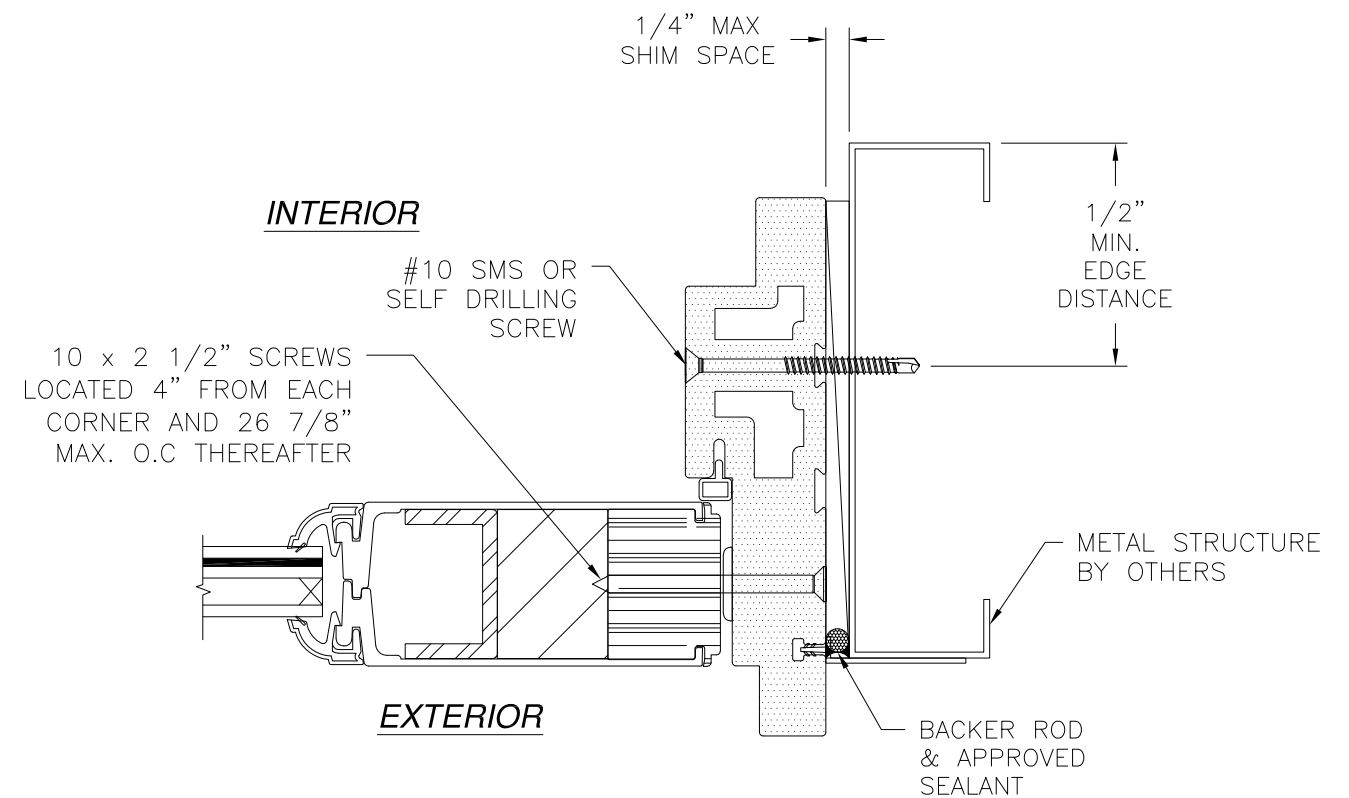
REVISIONS			
REV	DESCRIPTION	DATE	APPROVED
A	REVISED PER NEW CODE	02/08/2021	R.L.



EXTERIOR **INTERIOR**



SIDELITE VERTICAL CROSS SECTION
METAL STRUCTURE INSTALLATION



SIDELITE HORIZONTAL CROSS SECTION
METAL STRUCTURE INSTALLATION

- NOTES:**
1. INTERIOR AND EXTERIOR FINISHES, BY OTHERS, NOT SHOWN FOR CLARITY.
 2. PERIMETER AND JOINT SEALANT BY OTHERS TO BE DESIGNED IN ACCORDANCE WITH ASTM E2112

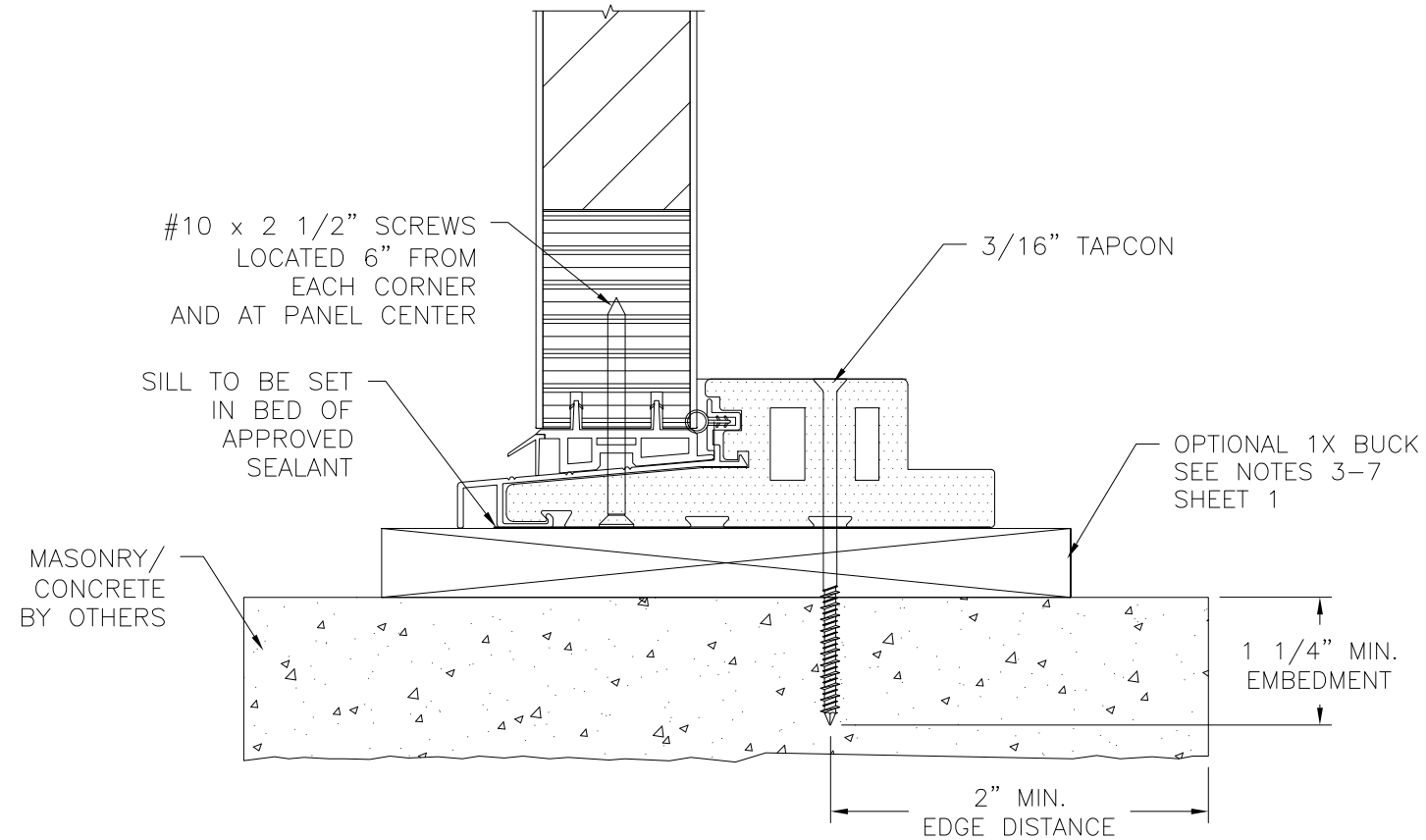
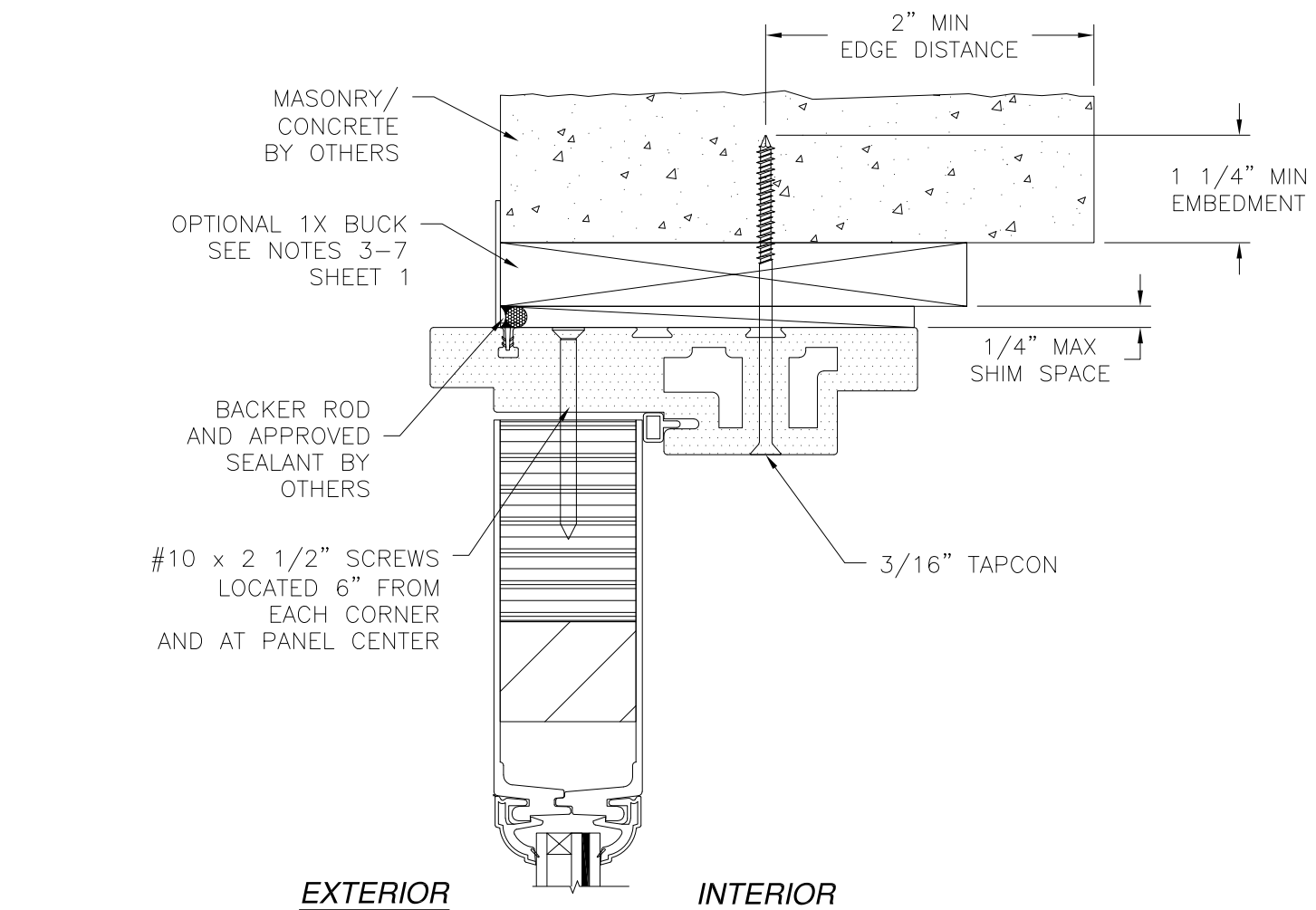
SIGNED: 04/08/2021

<p>NAN YA PLASTICS CORP. USA 8989 NORTH LOOP EAST HOUSTON, TX 77029</p>		
<p>SERIES 8'0 3/4 LITE SIDE HINGED FIBERGLASS PATIO DOOR W/ & W/O SIDELITES SIDELITE INSTALLATION DETAILS</p>		
<p>DRAWN: A.R.</p>	<p>DWG NO. 08-03258</p>	<p>REV A</p>
<p>SCALE NTS</p>	<p>DATE 05/23/18</p>	<p>SHEET 9 OF 13</p>
<p>L. ROBERTO LOMAS P.E. 1432 WOODFORD RD LEWISVILLE, NC 27023 434-688-0609 rllomas@rlomaspe.com</p>		

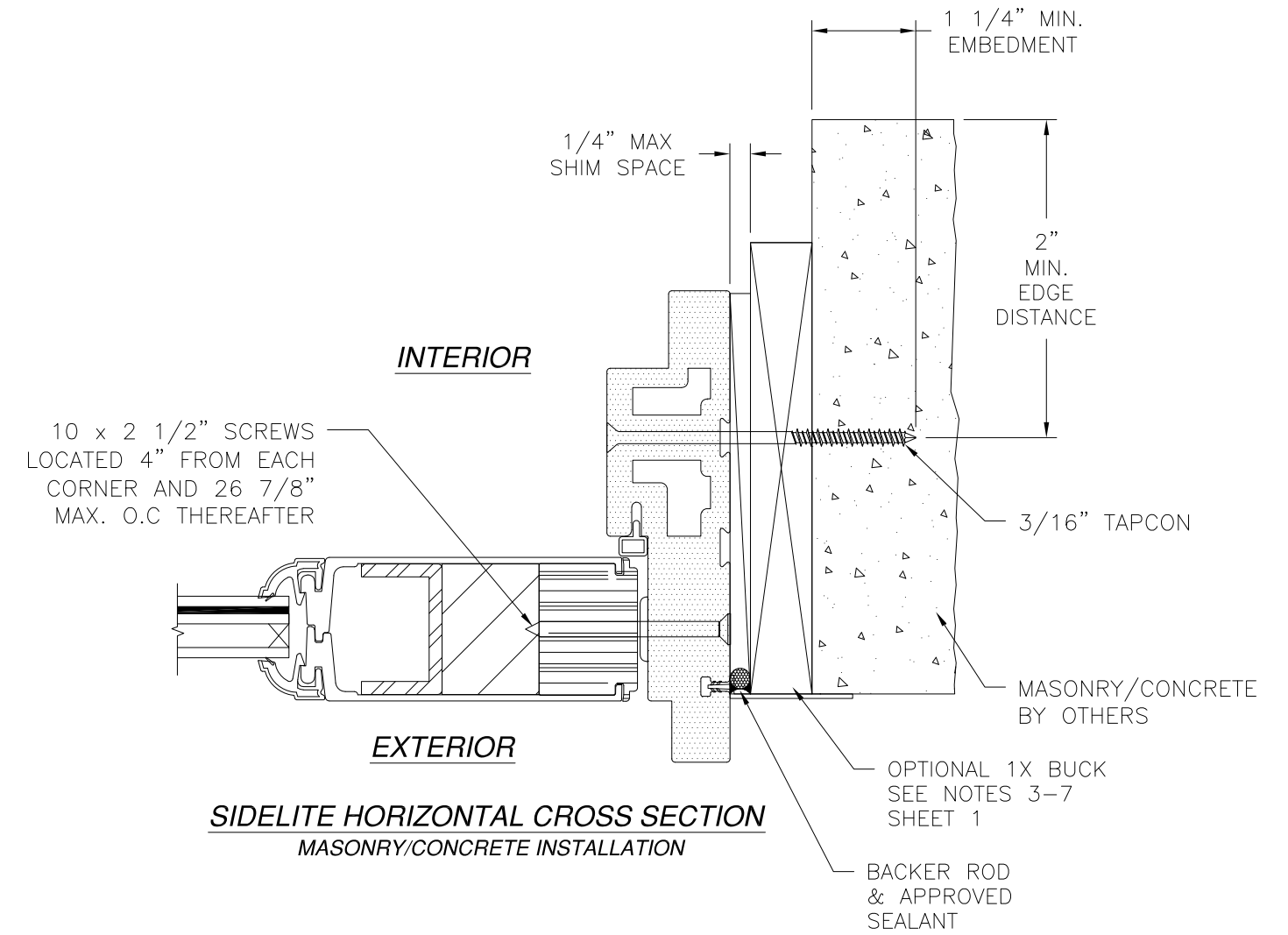


Luis R. Lomas P.E.
TX No.: 101889

REVISIONS			
REV	DESCRIPTION	DATE	APPROVED
A	REVISED PER NEW CODE	02/08/2021	R.L.



SIDELITE VERTICAL CROSS SECTION
MASONRY/CONCRETE INSTALLATION



SIDELITE HORIZONTAL CROSS SECTION
MASONRY/CONCRETE INSTALLATION

- NOTES:**
1. INTERIOR AND EXTERIOR FINISHES, BY OTHERS, NOT SHOWN FOR CLARITY.
 2. PERIMETER AND JOINT SEALANT BY OTHERS TO BE DESIGNED IN ACCORDANCE WITH ASTM E2112

SIGNED: 04/08/2021

NAN YA PLASTICS CORP. USA
8989 NORTH LOOP EAST
HOUSTON, TX 77029

SERIES 8'0 3/4 LITE SIDE HINGED FIBERGLASS
PATIO DOOR W/ & W/O SIDELITES
SIDELITE INSTALLATION DETAILS

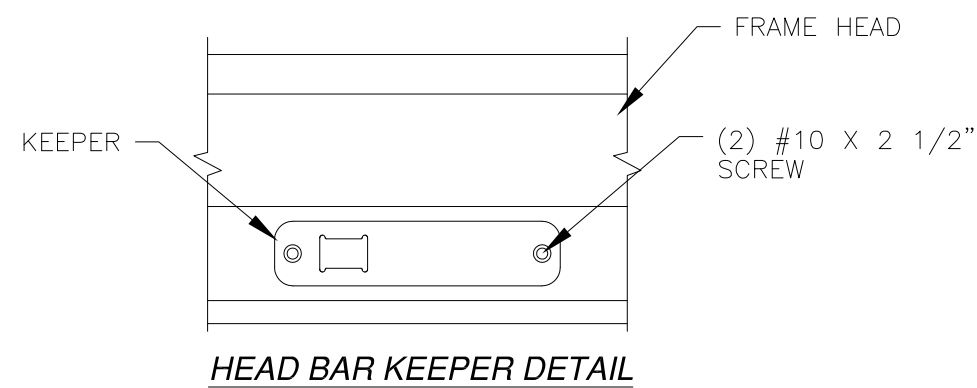
DRAWN: A.R.	DWG NO. 08-03258	REV A
SCALE NTS	DATE 05/23/18	SHEET 10 OF 13

L. ROBERTO LOMAS P.E.
1432 WOODFORD RD LEWISVILLE, NC 27023
434-688-0609 rllomas@rlomaspe.com

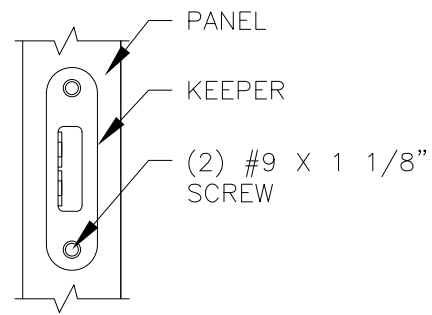


Luis R. Lomas P.E.
TX No.: 101889

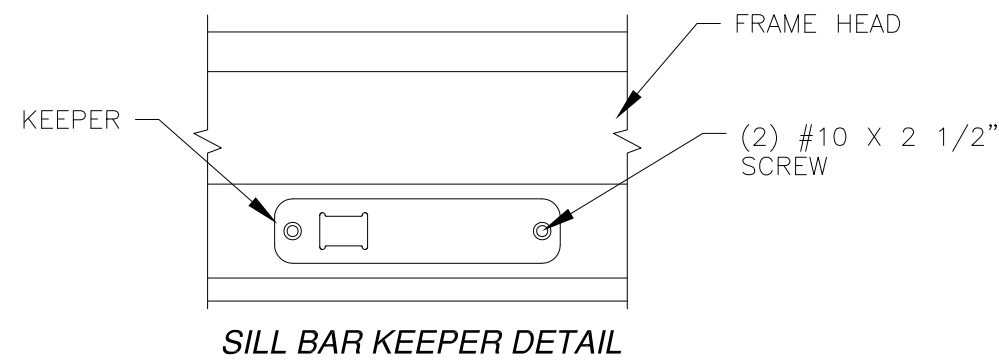
REVISIONS			
REV	DESCRIPTION	DATE	APPROVED
A	REVISED PER NEW CODE	02/08/2021	R.L.



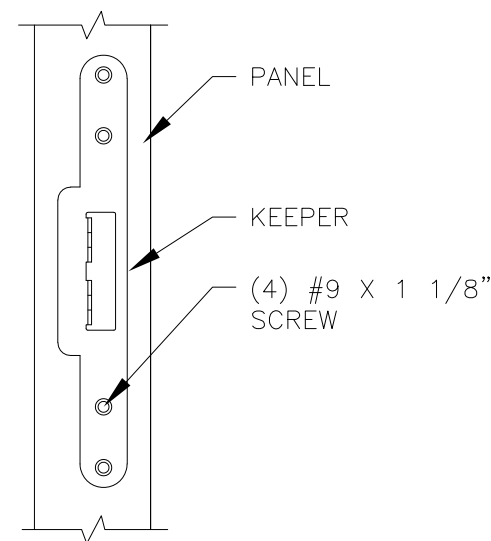
HEAD BAR KEEPER DETAIL



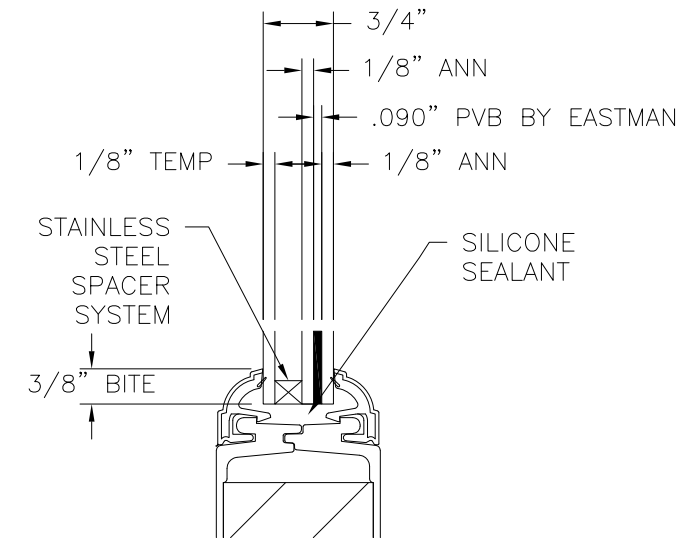
HOOK KEEPER DETAIL



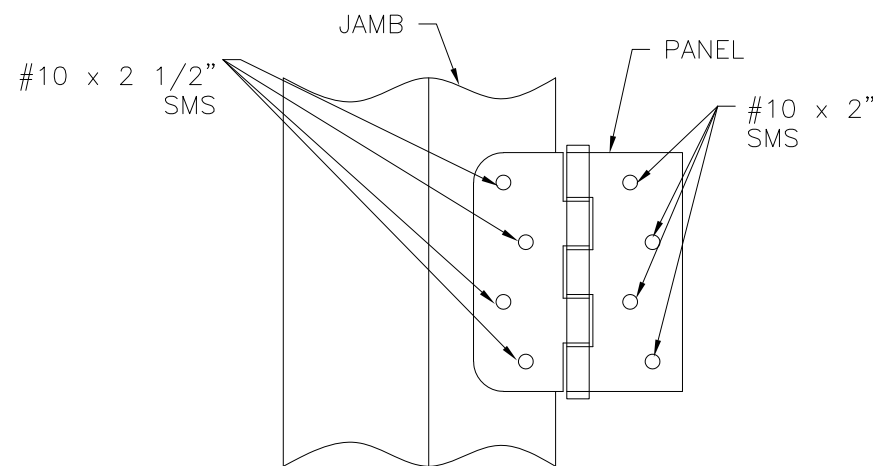
SILL BAR KEEPER DETAIL



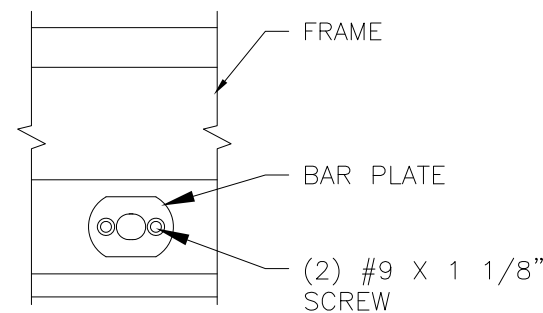
SLAB MULTI-POINT LOCK KEEPER DETAIL



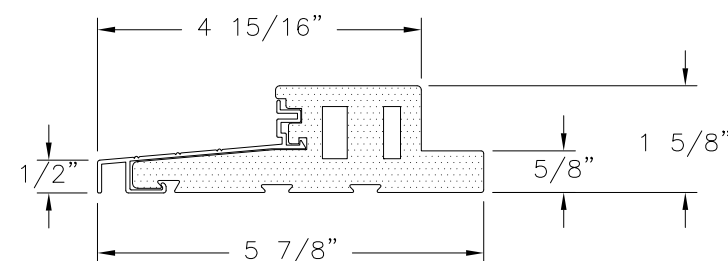
GLAZING DETAIL



HINGE INSTALLATION DETAIL



DRIVE BAR PLATE DETAIL



OUTSWING DOOR SILL DETAIL

NOTE:
ALL APPROVED CONFIGURATIONS ARE SHOWN AS LEFT HAND ACTIVE, RIGHT HAND ACTIVE IS ALSO APPROVED.

SIGNED: 04/08/2021

NAN YA PLASTICS CORP. USA
8989 NORTH LOOP EAST
HOUSTON, TX 77029

SERIES 8'0 3/4 LITE SIDE HINGED FIBERGLASS PATIO DOOR W/ & W/O SIDELITES INSTALLATION AND GLAZING DETAILS

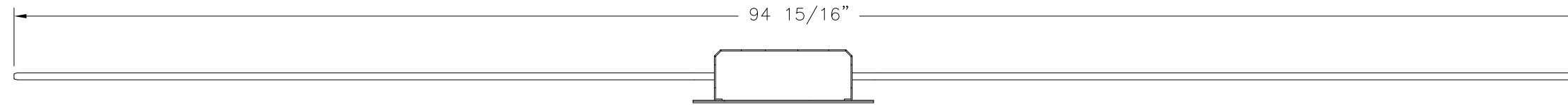
DRAWN: A.R.	DWG NO. 08-03258	REV A
SCALE NTS	DATE 05/23/18	SHEET 11 OF 13

L. ROBERTO LOMAS P.E.
1432 WOODFORD RD LEWISVILLE, NC 27023
434-688-0609 rllomas@rlomaspe.com

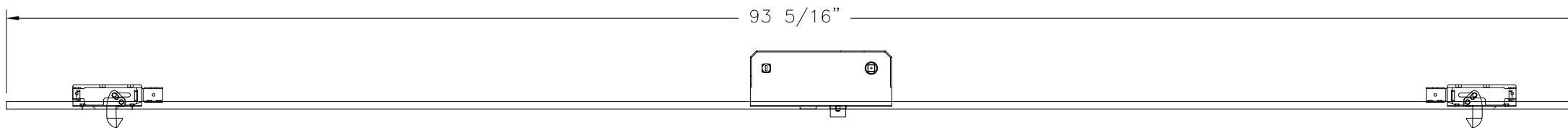


Luis R. Lomas P.E.
TX No.: 101889

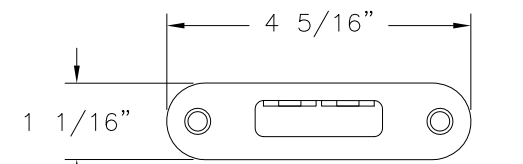
REVISIONS			
REV	DESCRIPTION	DATE	APPROVED
A	REVISED PER NEW CODE	02/08/2021	R.L.



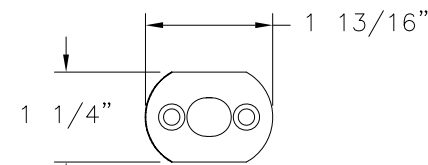
TOP/BOTTOM DRIVE BAR SYSTEM
STAINLESS STEEL
BY JAM YUAN ENTERPRISES CO., LTD



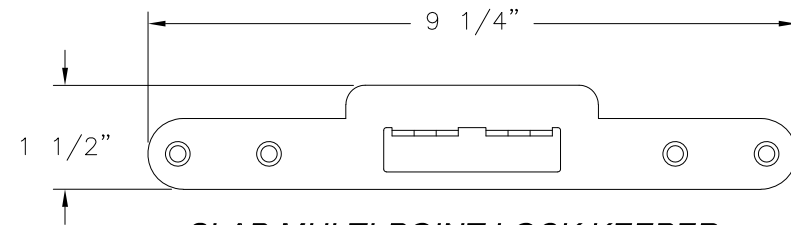
MULTI-POINT LOCKING SYSTEM
STAINLESS STEEL
BY JAM YUAN ENTERPRISES CO., LTD



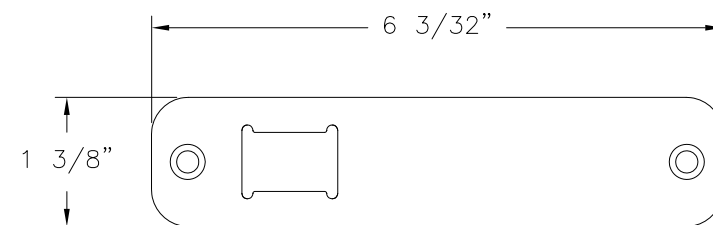
HOOK KEEPER
STAINLESS STEEL
BY JAM YUAN ENTERPRISES CO., LTD



DRIVE BAR PLATE
STAINLESS STEEL
BY JAM YUAN ENTERPRISES CO., LTD



SLAB MULTI-POINT LOCK KEEPER
STAINLESS STEEL
BY JAM YUAN ENTERPRISES CO., LTD



TOP/BOTTOM BAR KEEPER
STAINLESS STEEL
BY JAM YUAN ENTERPRISES CO., LTD

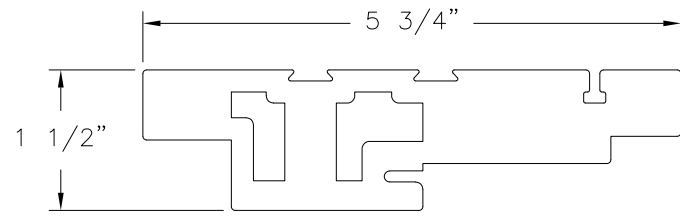
SIGNED: 04/08/2021

<p>NAN YA PLASTICS CORP. USA 8989 NORTH LOOP EAST HOUSTON, TX 77029</p>		
<p>SERIES 8'0 3/4 LITE SIDE HINGED FIBERGLASS PATIO DOOR W/ & W/O SIDELITES COMPONENTS</p>		
DRAWN: A.R.	DWG NO. 08-03258	REV A
SCALE NTS	DATE 05/23/18	SHEET 12 OF 13
<p>L. ROBERTO LOMAS P.E. 1432 WOODFORD RD LEWISVILLE, NC 27023 434-688-0609 rllomas@rlomaspe.com</p>		

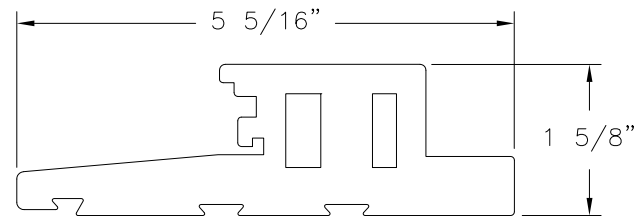


Luis R. Lomas P.E.
TX No.: 101889

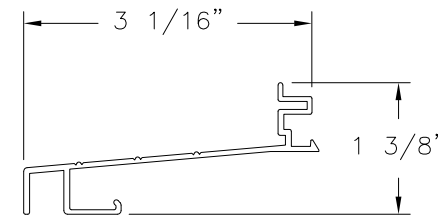
REVISIONS			
REV	DESCRIPTION	DATE	APPROVED
A	REVISED PER NEW CODE	02/08/2021	R.L.



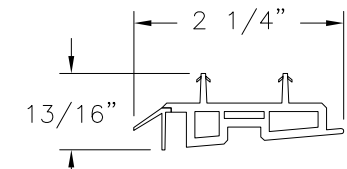
HEAD & JAMB FRAME
FOAM PVC CO-EX



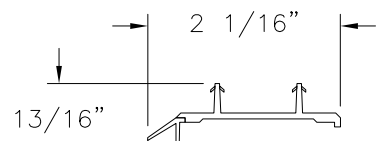
OUTSWING SILL-A
FOAM PVC CO-EX



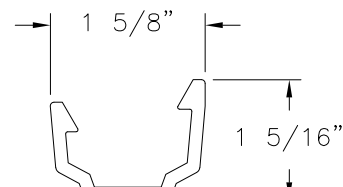
OUTSWING SILL-B
ALUMINUM



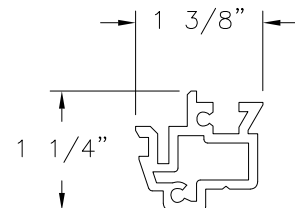
DOOR BOTTOM-A
PVC CO-EX



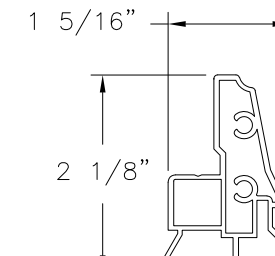
DOOR BOTTOM-B
PVC CO-EX



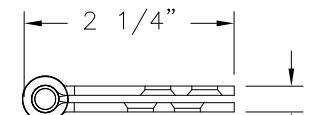
T-ASTRAGAL (A)
RIGID PVC



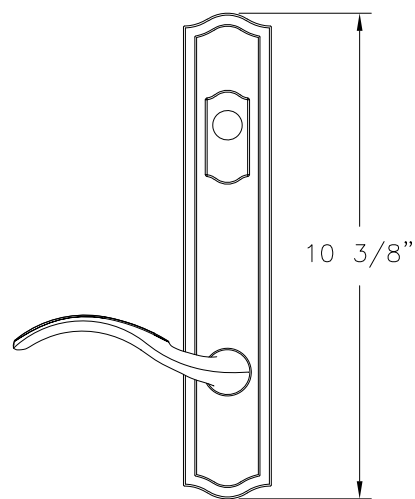
REINFORCEMENT (A)
ALUMINUM



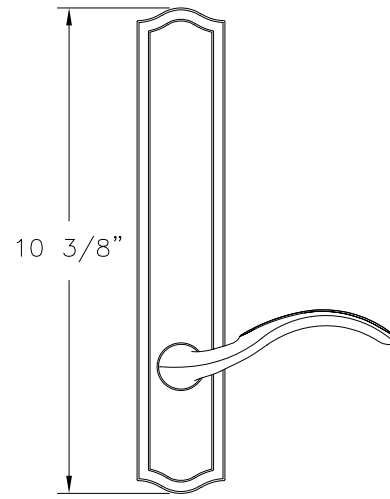
REINFORCEMENT (B)
ALUMINUM



4" X 4" DOOR HINGE
STEEL



HANDLE SETS
DIE CAST



HANDLE SETS
DIE CAST

NAN YA PLASTICS CORP. USA
8989 NORTH LOOP EAST
HOUSTON, TX 77029

SERIES 8'0 3/4 LITE SIDE HINGED FIBERGLASS
PATIO DOOR W/ & W/O SIDELITES
COMPONENTS

DRAWN: A.R.	DWG NO. 08-03258	REV A
SCALE NTS	DATE 05/23/18	SHEET 13 OF 13

L. ROBERTO LOMAS P.E.
1432 WOODFORD RD LEWISVILLE, NC 27023
434-688-0609 rllomas@lrlomaspe.com

SIGNED: 04/08/2021



Luis R. Lomas P.E.
TX No.: 101889