


JELD-WEN DOOR INSTALLATION DETAILS
CONTOURS PREMIUM STEEL WOOD EDGE
FULL LITE NON-IMPACT OUTSWING
UP TO 12'-0" X 6'-8"

GENERAL NOTES

- THIS PRODUCT IS DESIGNED TO COMPLY WITH 2018 INTERNATIONAL BUILDING CODE (I.B.C.) & THE 2018 INTERNATIONAL RESIDENTIAL CODE (I.R.C.) AND THE CURRENT TEXAS DEPARTMENT OF INSURANCE (TDI), INCLUDING HVHZ AND HAS BEEN EVALUATED IN ACCORDANCE TO TAS 202-94, ASTM E330-02, E283-04, E331-00 AND AAMA 1304-02.
NOTE: ODL SMART FRAME IS HVHZ EXEMPT AND ONLY RATED FOR WINDZONE 3.
- 1X AND 2X WOOD BUCKS BY OTHERS AND MUST BE ANCHORED PROPERLY TO TRANSFER LOADS TO THE STRUCTURE. BUCK MATERIAL MUST HAVE A SPECIFIC GRAVITY OF 0.55 OR GREATER.
- CONCRETE OR MASONRY MUST BE ANCHORED PROPERLY TO TRANSFER LOADS TO THE STRUCTURE. CONCRETE MATERIAL SHALL HAVE A MINIMUM Fc OF 3000psi OR MASONRY/CMU SHALL CONFORM TO ASTM C90.
- PRODUCT ANCHOR TYPES AND SPACING ARE SHOWN ON SHEETS 6 & 7. DIMENSIONS SHOWN FOR ANCHOR SPACING ARE ALWAYS FROM EDGE OF UNIT FRAME. ANCHOR EMBEDMENT TO BASE MATERIAL SHALL BE BEYOND WALL DRESSING OR STUCCO.
- THIS DOCUMENT SUPERCEDES OTHER ANCHOR INSTALLATION INSTRUCTIONS FOR NON-IMPACT RATED DOORS. FOR OTHER IMPORTANT INSTALLATION INSTRUCTIONS, REFER TO JELD-WEN DOCUMENT #J11106 (INSTALLATION INSTRUCTIONS FOR PRE-HUNG ENTRY DOORS) FOUND ON THE JELD-WEN WEBSITE: [JELD-WEN.COM/LEARN/RESOURCES/INSTALLATION & FINISHING/](http://JELD-WEN.COM/LEARN/RESOURCES/INSTALLATION&FINISHING/).
- FLORIDA APPROVED SHUTTERS ARE NEEDED WHEN IMPACT PROTECTION IS REQUIRED.
- INTEGRAL MULL POSTS & DOUBLE-BACK JAMBS ARE INTERCHANGEABLE. SEE SHEET 3 FOR MULLING INSTRUCTIONS.
- ALL FASTENERS IN WOOD SHALL BE COUNTERSUNK 3/16" DEEP.
 EXAMPLE: 3/16" 

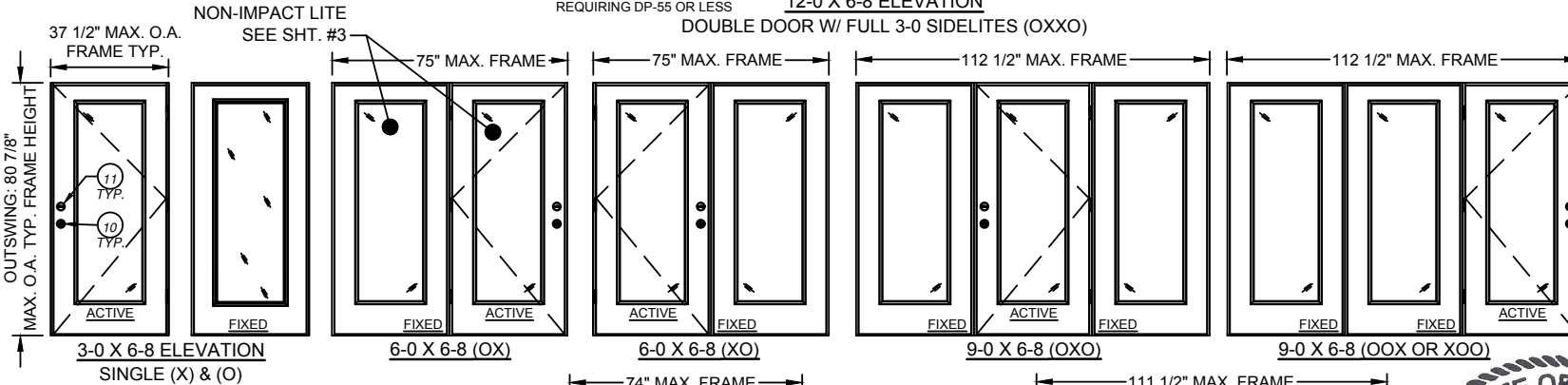
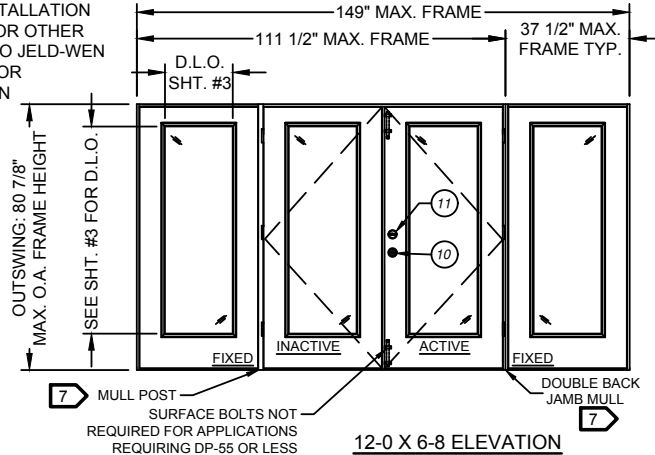
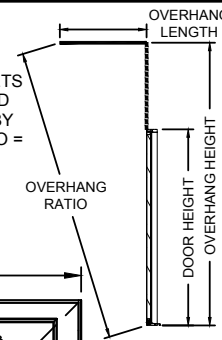


TABLE 1

DESIGN PRESSURE RATING:							
SIZE		QUALIFIES: FULL LITE NON-IMPACT ACTIVE PANELS WITH OR W/O SIDELITES 6					
MAX. PANEL WIDTH = 35 3/4"		6-8 TALL SYSTEMS: (XX) (XO) (OXXO) (X) (OX) (XO) (OXO)					
INSWING		WITHOUT SURFACE BOLTS:	SURFACE BOLTS AND ODL SMART FRAME				
		POSITIVE	+ 55*	WITH SURFACE BOLTS:	+ 66*	SURFACE BOLTS AND ODL SMART FRAME	+ 60*
		NEGATIVE	- 55*		- 66*		- 60*
COMPONENT LIST							
ITEM	DESCRIPTION	MATERIAL	QTY.				
1	NON-COMPRESSION SHIM (0.25" MAX. THK.)	WOOD	AS REQ.				
2	2x WOOD SUB BUCK (S.G. MUST BE 0.55 OR GREATER)	WOOD	AS REQ.				
3	1x WOOD SUB BUCK (S.G. MUST BE 0.55 OR GREATER)	WOOD	AS REQ.				
4	#10 WOOD INSTALLATION SCREW W/ 1 1/2" MIN. EMBEDMENT	STEEL	AS REQ.				
5	3/16" ITW TAPCON ANCHOR W/ 1 1/4" MIN. EMBEDMENT	STEEL	AS REQ.				
6	#9 X 2 1/2" PHILLIPS FLATHEAD WOOD SCREW	STEEL	2 OR 4				
7	#8 X 2" PHILLIPS FLATHEAD WOOD SCREW	STEEL	AS REQ.				
8	#9 X 3/4" PHILLIPS FLATHEAD WOOD SCREW	STEEL	22 OR 44				
9	1" O.A. IG NON-IMPACT FRAME BY ODL	Polypropylene	1 OR 4				
10	LOCK SERIES 400	STEEL	1				
11	DEADBOLT SERIES 780	STEEL	1				
12	1" O.A. IG NON-IMP. SMART FRAME BY ODL	Polypropylene	1 OR 4				
13	3/4" O.A. IG NON-IMPACT VENT UNIT BY ODL	Polypropylene	1				
14	FLAT LITE KIT	ALUMINUM	1				
15	ADA THRESHOLD	ALUMINUM	1				

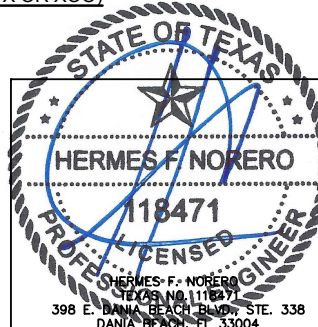
* NOTE: PRODUCT HAS NOT BEEN RATED FOR WATER INFILTRATION. IF AUTHORITY HAVING JURISDICTION REQUIRES THAT PRODUCT MEETS THIS REQUIREMENT, PRODUCT SHALL BE USED WHEN INSTALLED AT LOCATION PROTECTED BY OVERHANG SUCH THAT OVERHANG (OH) RATIO = OH LENGTH ÷ OH HEIGHT IS ≥ 1.0



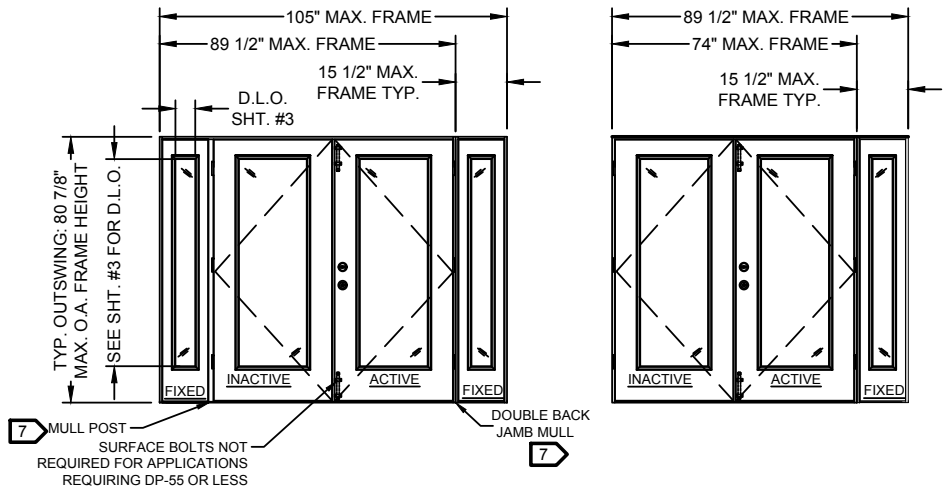
JELD-WEN
 Windows & Doors
 3737 Lakeport Blvd.
 Klamath Falls, OR 97601
 Phone: (541) 882-3451
 Fax: (541) 850-2609

NO.	DATE	REVISIONS	BY
1	01/13/20	ADA THRESHOLD ADDED	TR

SHEET #	DESCRIPTION
1	GENERAL NOTES, B.O.M. & ELEVATIONS FOR 3-0 PANELS & SIDELITES
2	ELEVATIONS FOR 3-0 PANELS AND 1-2 SIDELITES
3	OUTSWING BOX MULLING DETAILS
4	OUTSWING VERTICAL AND HORIZONTAL SECTIONS IN WOOD
5	OUTSWING VERT. AND HORIZ. SECTIONS IN MASONRY/CONCRETE
6	ANCHORING DETAILS
7	ANCHORING DETAILS

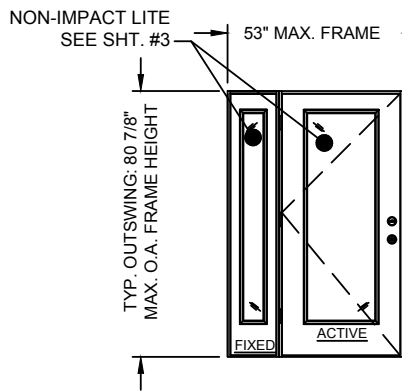


PRODUCT: CONTOURS STEEL W.E. NON-IMPACT FULL LITE DOOR: 12-0 X 6-8 MAXIMUM PART OR ASSEMBLY
 GENERAL NOTES, ELEVATIONS, DP RATINGS AND B.O.M.
 DATE: 12/20/2012
 SCALE: NONE
 DWG. BY: G.LUBBECKE
 CHK. BY: S.SAFFELL
 DRAWING NO.: A008731
 SHEET 1 OF 7

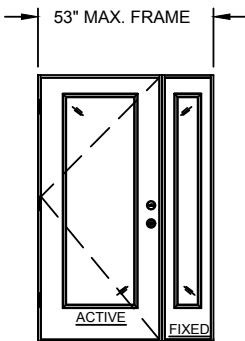


8-4 X 6-8 ELEVATION
DOUBLE DOOR W/ 1-2 SIDELITES (OXXO)

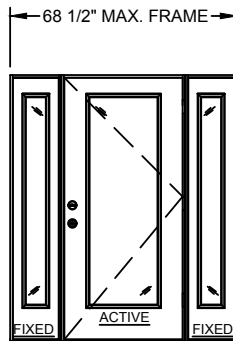
7-2 X 6-8 ELEVATION
DOUBLE DOOR W/ 1-2 SIDELITES (XXO OR OXX)



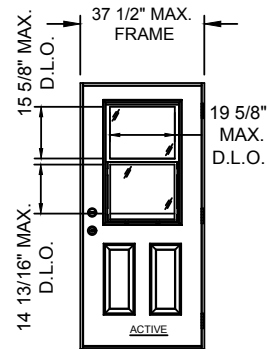
4-2 X 6-8 ELEVATION
DOUBLE (OX)



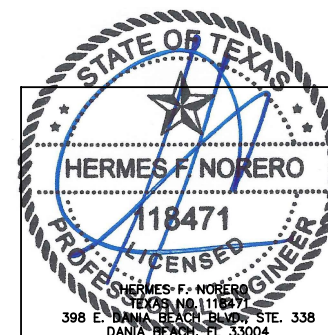
4-2 X 6-8 ELEVATION
DOUBLE (XO)



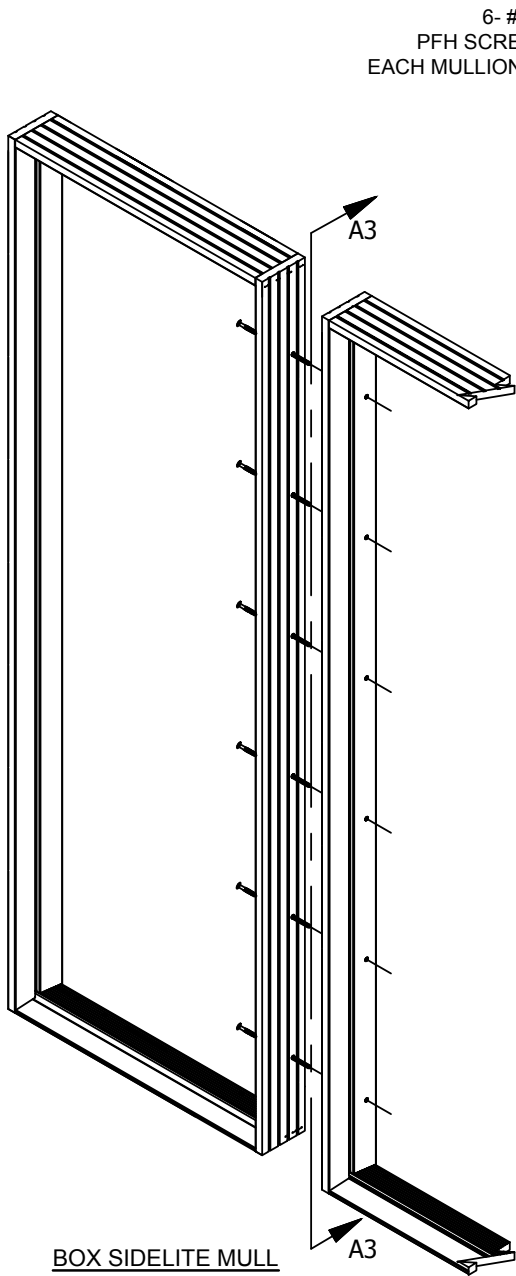
5-4 X 6-8 ELEVATION
TRIPLE (OXO)



3-0 X 6-8 ELEVATION
VENT LITE (X)



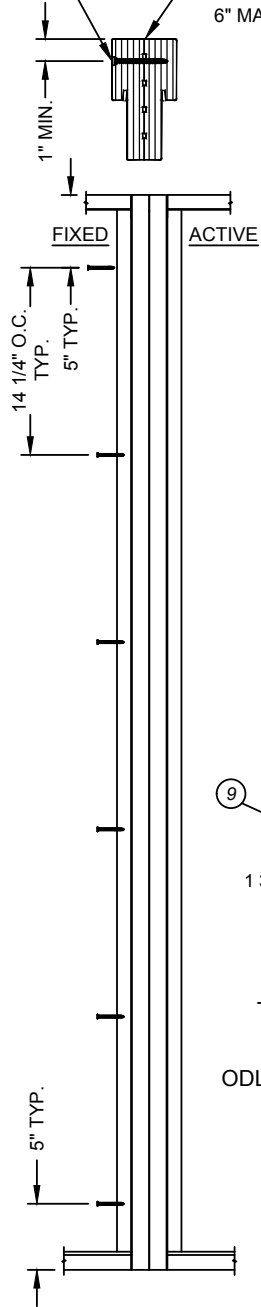
JELLOWEN WINDOWS & DOORS		3737 Lakeport Blvd. Klamath Falls, OR 97601 Phone: (541) 882-3451 Fax: (541) 850-2609
PRODUCT	CONTOURS STEEL W.E. NON-IMPACT FULL LITE DOOR: 12-0 X 6-8 MAXIMUM	ELEVATIONS
	PART OR ASSEMBLY	
DATE:	12/20/2012	
SCALE:	NONE	
DWG. BY:	G.LUBBECKE	
CHK. BY:	S.SAFFELL	
DRAWING No.:	A008731	
SHEET	2	OF 7



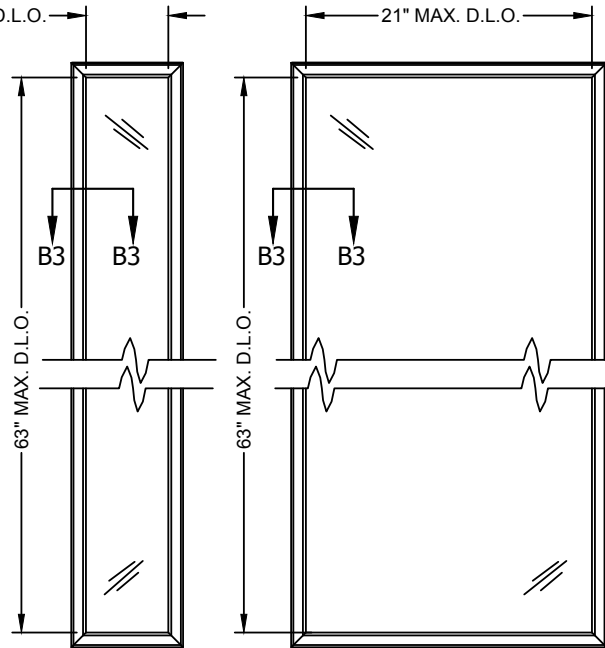
BOX SIDELITE MULL
 MAX. 4 UNITS
 EXAMPLE: OXXO, OXO, OX

6- #8 X 2"
 PFH SCREW AT
 EACH MULLION TYP.

APPLY DAP ALEX PLUS SILICONE
 OR EQUIV. BETWEEN
 JAMBS BEFORE MULLING

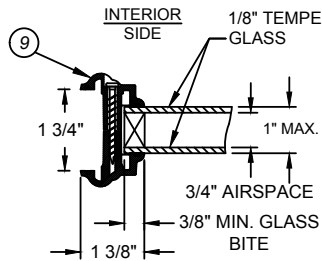


DETAIL A3
 (6) FASTENER LOCATIONS AT
 DOUBLE-BACK JAMB ATTACHMENT

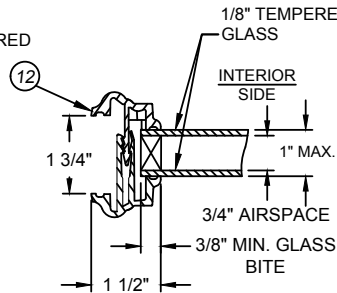


ODL 1" O.A. NON-IMPACT
 1-2 X 6-8 SHOWN

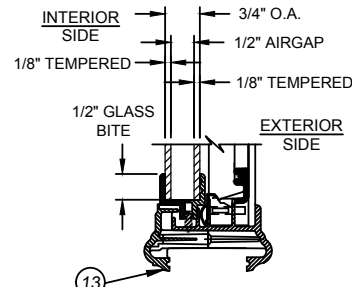
ODL 1" O.A. NON-IMPACT
 3-0 X 6-8 SHOWN



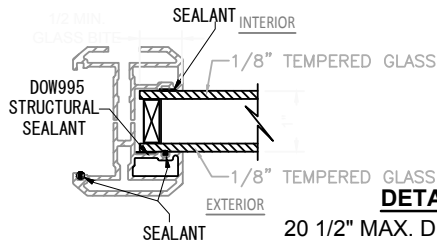
DETAIL B3
 ODL NON-IMPACT GLAZING DETAIL



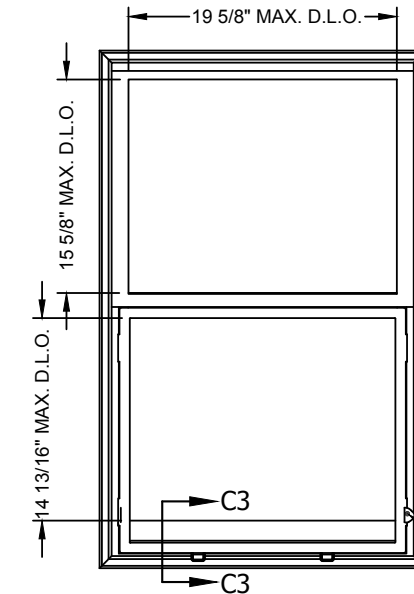
DETAIL B3
 ODL SMART FRAME
 NON-IMPACT GLAZING DETAIL



DETAIL C3
 ODL VENT FRAME



DETAIL
 20 1/2" MAX. D.L.O. WIDTH
 62 5/8" MAX D.L.O. HEIGHT

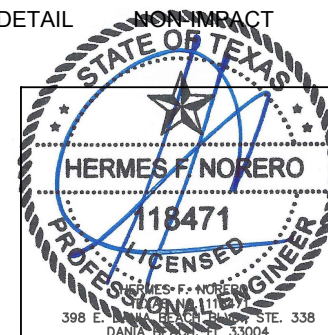


ODL 3/4" O.A. VENT LITE
 NON-IMPACT

JELDOWEN
 WINDOWS & DOORS
 3737 Lakeport Blvd.
 Klamath Falls, OR 97601
 Phone: (541) 882-3451
 Fax: (541) 850-2609

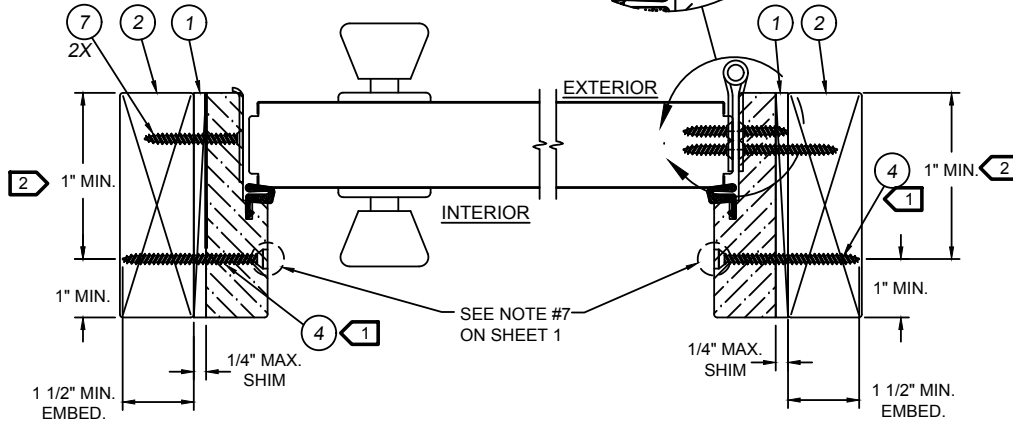
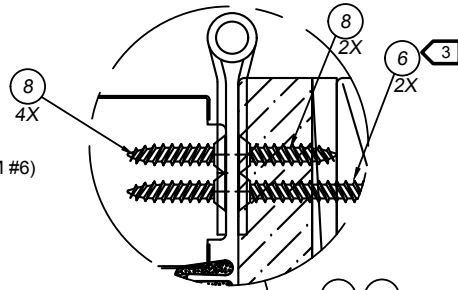
PRODUCT
 CONTOURS STEEL W.E. NON-IMPACT FULL LITE
 DOOR: 12-0 X 6-8 MAXIMUM
 PART OR ASSEMBLY

MULLING DETAILS AND GLAZING OPTIONS



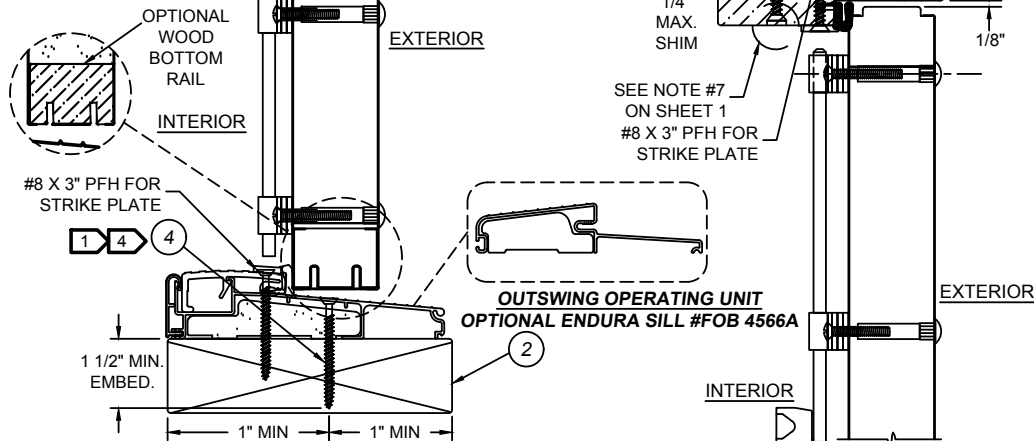
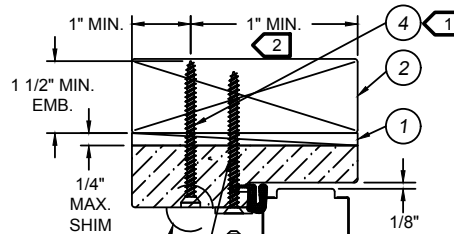
DATE: 12/20/2012
 SCALE: NONE
 DWG. BY: G.LUBBECKE
 CHK. BY: S.SAFFELL
 DRAWING No.:
A008731
 SHEET 3 OF 7

HINGE DETAIL:
 TOP = 6 SCREWS (ITEM #8), 2 SCREWS (ITEM #6)
 CENTER = 8 SCREWS (ITEM #8)
 BOTTOM = 8 SCREWS (ITEM #8)



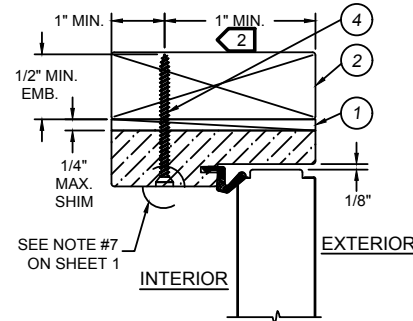
**OUTSWING LATCH JAMB AT FRAME
 HORIZONTAL CROSS SECTION**

**OUTSWING HINGE JAMB AT FRAME
 HORIZONTAL CROSS SECTION**

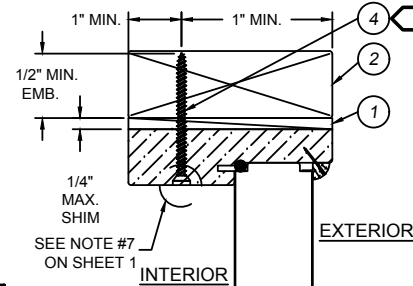


**OUTSWING OPERATING UNIT
 W/ OPTIONAL SURFACE BOLT
 VERTICAL CROSS SECTION**

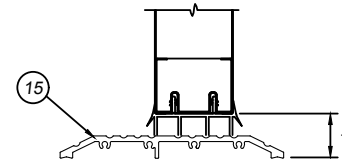
**OUTSWING OPERATING UNIT
 W/ OPTIONAL SURFACE BOLT
 VERTICAL CROSS SECTION
 HEAD JAMB**



**OUTSWING OPERATING UNIT
 VERTICAL CROSS SECTION
 HEAD JAMB**

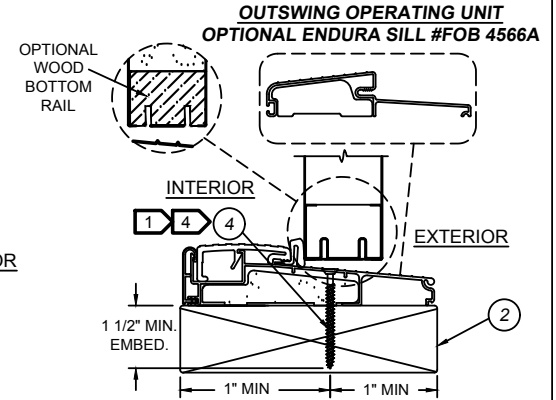


**OUTSWING FIXED UNIT
 VERTICAL CROSS SECTION
 HEAD JAMB**

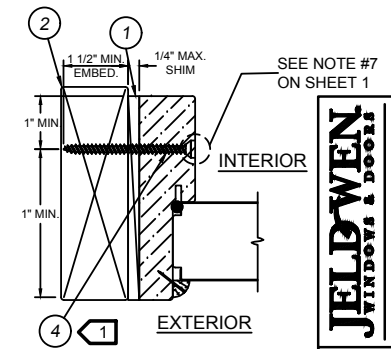


**OPERATING UNIT
 VERTICAL CROSS SECTION
 ADA SILL**

- NOTES:
- FOR PLACEMENT OF ITW TAPCON ANCHORS IN 2X BUCK OR 1X BUCK CONCRETE/MASONRY OPENINGS, SEE SHEET 5
 - OPTIONALLY, ANCHOR CAN BE PLACED IN NARROW SECTION OF HEAD OR JAMB AS LONG AS MINIMUM EMBEDMENT AND EDGE DISTANCE ARE ACHIEVED.
 - ITEM #6, (#9 X 2 1/2") TWO SCREWS TO BE INSTALLED IN TOP HINGE AT JOB SITE, CLOSEST TO WEATHERSTRIP.
 - AT SILL, PLACE ANCHOR IN SILL BASE MATERIAL FOR MAXIMUM SUPPORT.



**OUTSWING FIXED OR
 OPERATING UNIT
 VERTICAL CROSS SECTION**

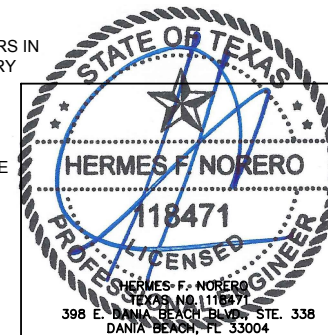


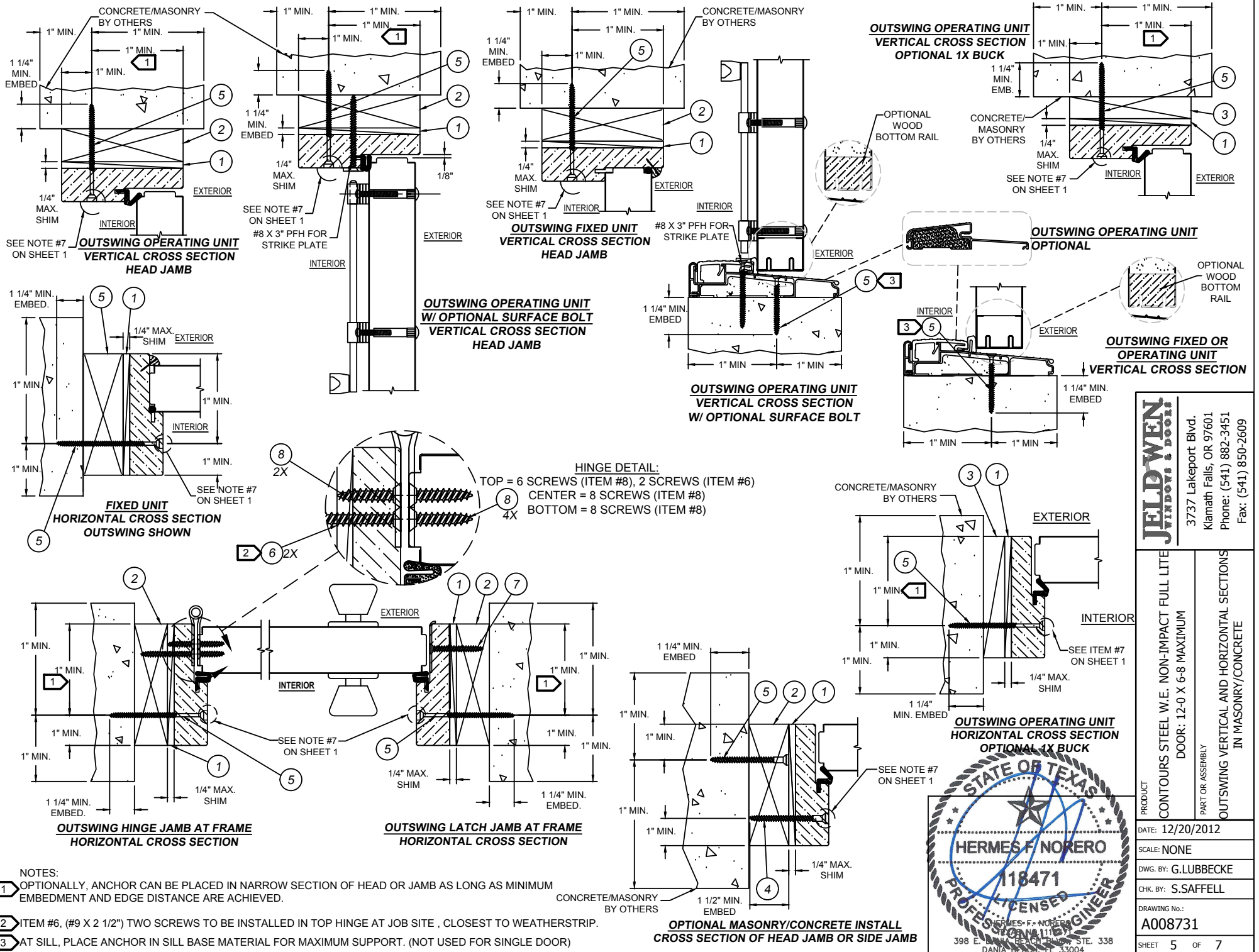
**FIXED UNIT
 HORIZONTAL CROSS SECTION
 OUTSWING SHOWN**

JELBOWEN
 WINDOWS & DOORS
 3737 Lakeport Blvd.
 Klamath Falls, OR 97601
 Phone: (541) 882-3451
 Fax: (541) 850-2609

PRODUCT
 CONTOURS STEEL W.E. NON-IMPACT FULL LITE
 DOOR: 12-0 X 6-8 MAXIMUM
 PART OR ASSEMBLY
 OUTSWING VERTICAL AND HORIZONTAL SECTIONS
 IN WOOD

DATE: 12/20/2012
 SCALE: NONE
 DWG. BY: G.LUBBECKE
 CHK. BY: S.SAFFELL
 DRAWING NO.:
 A008731
 SHEET 4 OF 7



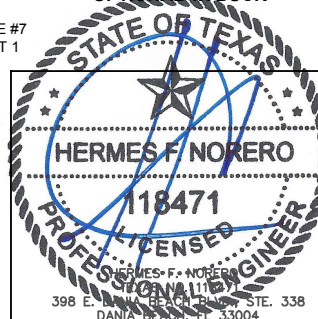


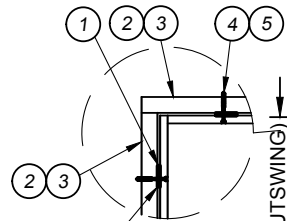
- NOTES:
- 1 OPTIONALLY, ANCHOR CAN BE PLACED IN NARROW SECTION OF HEAD OR JAMB AS LONG AS MINIMUM EMBEDMENT AND EDGE DISTANCE ARE ACHIEVED.
 - 2 ITEM #6, (#9 X 2 1/2") TWO SCREWS TO BE INSTALLED IN TOP HINGE AT JOB SITE, CLOSEST TO WEATHERSTRIP.
 - 3 AT SILL, PLACE ANCHOR IN SILL BASE MATERIAL FOR MAXIMUM SUPPORT. (NOT USED FOR SINGLE DOOR)

JELDOWEN
WINDOWS & DOORS
3737 Lakeport Blvd.
Klamath Falls, OR 97601
Phone: (541) 882-3451
Fax: (541) 850-2609

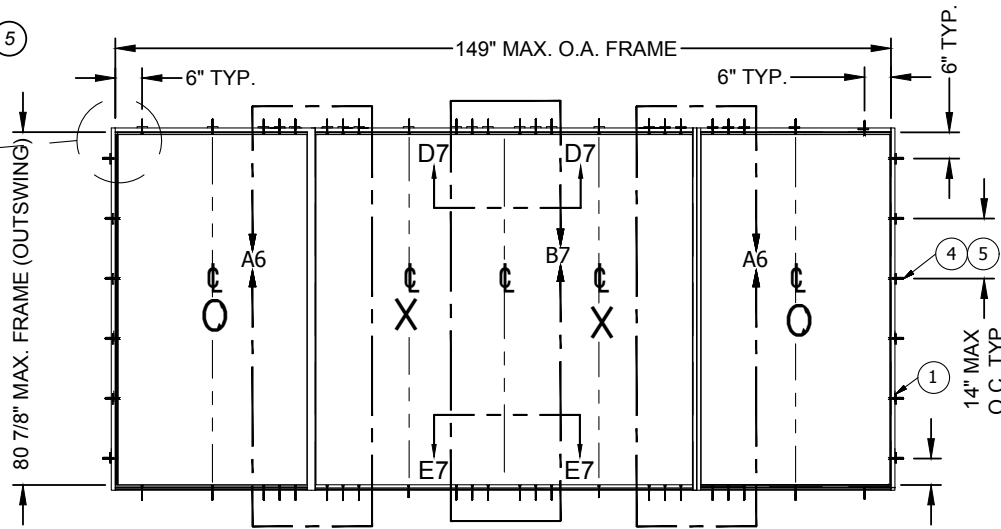
PRODUCT
CONTOURS STEEL W.E. NON-IMPACT FULL LITE
DOOR: 12-0 X 6-8 MAXIMUM
PART OR ASSEMBLY
OUTSWING VERTICAL AND HORIZONTAL SECTIONS
IN MASONRY/CONCRETE

DATE: 12/20/2012
SCALE: NONE
DWG. BY: G.LUBBECKE
CHK. BY: S.SAFFELL
DRAWING No.:
A008731
SHEET 5 OF 7

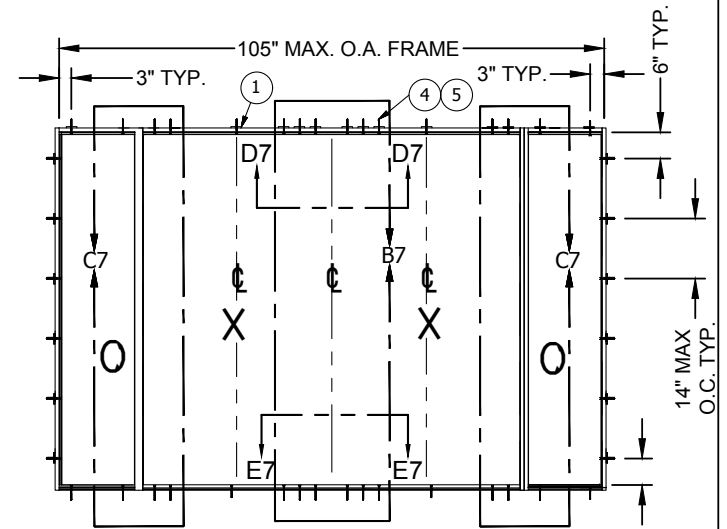




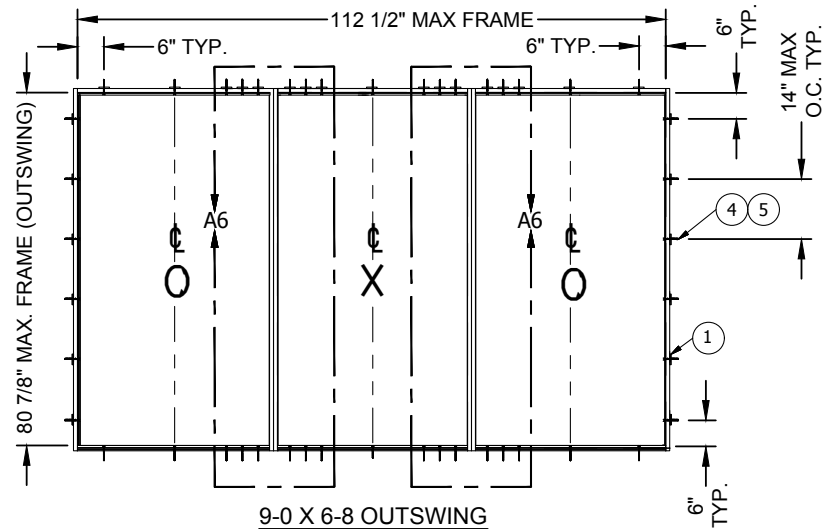
NOTE:
SHIM FOR SUPPORT AT
OR NEAR EACH ANCHOR
IS REQUIRED



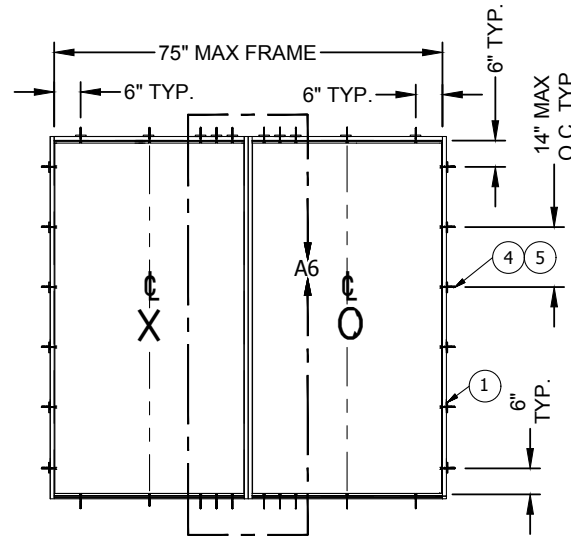
12-0 X 6-8 OUTSWING
(60) ANCHOR LOCATIONS
(FROM EDGE OF FRAME)



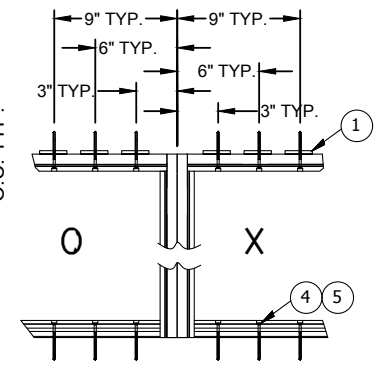
8-4 X 6-8 OUTSWING
(44) ANCHOR LOCATIONS
(FROM EDGE OF FRAME)



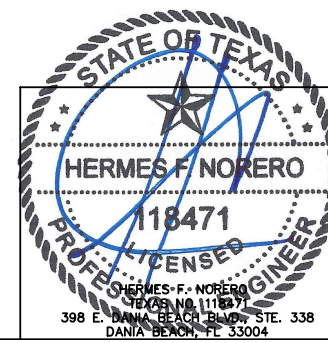
9-0 X 6-8 OUTSWING
(46) ANCHOR LOCATIONS
(FROM EDGE OF FRAME)



6-0 X 6-8 OUTSWING
(32) ANCHOR LOCATIONS
(FROM EDGE OF FRAME)



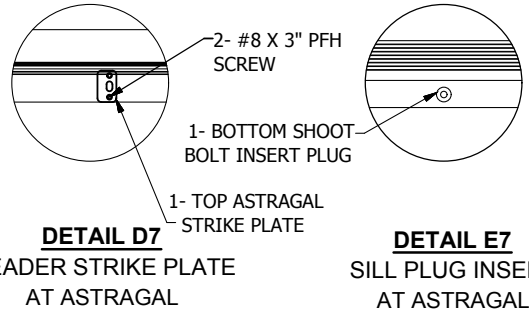
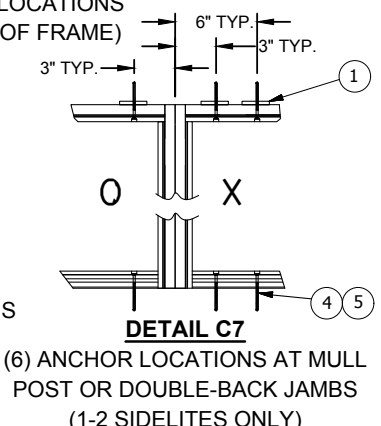
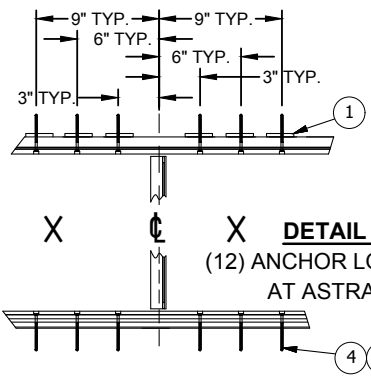
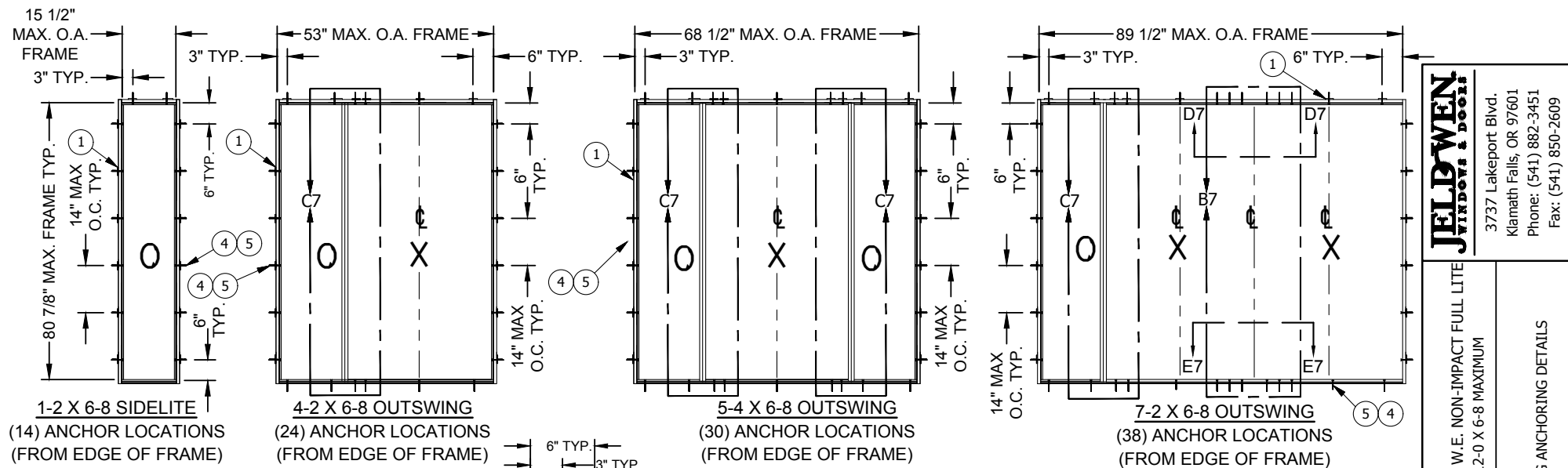
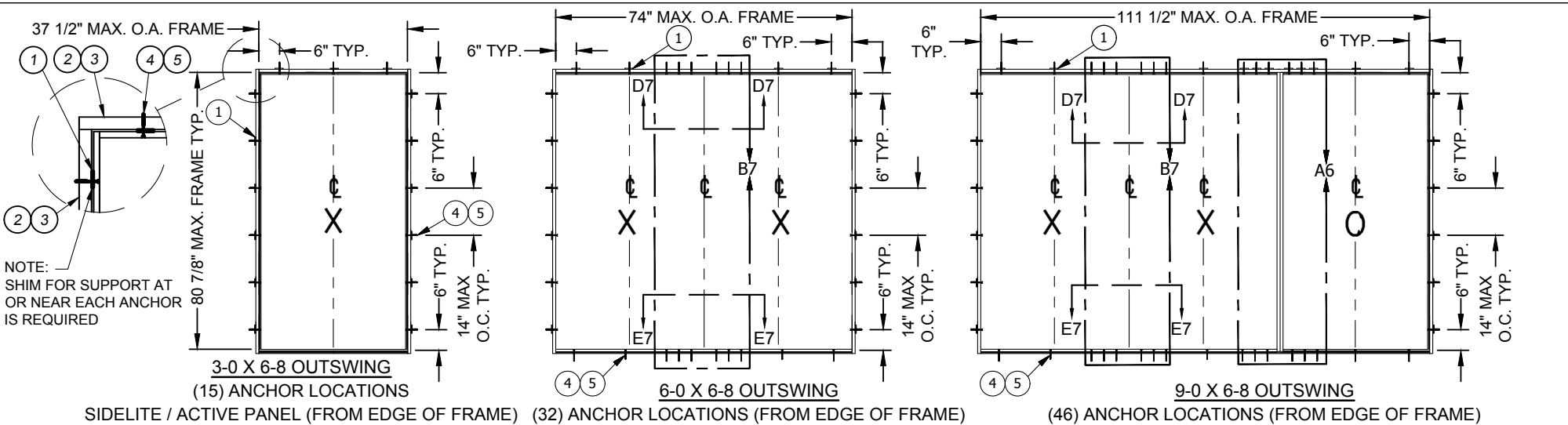
DETAIL A6
(12) ANCHOR LOCATIONS AT MULL
POST OR DOUBLE-BACK JAMBS
(3-0 SIDELITES ONLY)



JELDOWEN
WINDOWS & DOORS
3737 Lakeport Blvd.
Klamath Falls, OR 97601
Phone: (541) 882-3451
Fax: (541) 850-2609

PRODUCT
CONTOURS STEEL W.E. NON-IMPACT FULL LITE
DOOR: 12-0 X 6-8 MAXIMUM
PART OR ASSEMBLY
OUTSWING ANCHORING DETAILS

DATE: 12/20/2012
SCALE: NONE
DWG. BY: G.LUBBECKE
CHK. BY: S.SAFFELL
DRAWING No.:
A008731
SHEET 6 OF 7



STATE OF TEXAS
HERMES F. NORERO
118471
PROFESSIONAL ENGINEER
HERMES F. NORERO
TEXAS NO. 118471
398 E. DANIA BEACH BLVD., STE. 338
DANIA BEACH, FL 33004

JELD-BOWEN
WINDOWS & DOORS
3737 Lakeport Blvd.
Klamath Falls, OR 97601
Phone: (541) 882-3451
Fax: (541) 850-2609

PRODUCT	CONTOURS STEEL W.E. NON-IMPACT FULL LITE
	DOOR: 12-0 X 6-8 MAXIMUM
	PART OR ASSEMBLY
DATE:	12/20/2012
SCALE:	NONE
DWG. BY:	G.LUBBECKE
CHK. BY:	S.SAFFELL
DRAWING NO.:	A008731
SHEET	7 OF 7

OUTSWING ANCHORING DETAILS