

REVISIONS			
REV	DESCRIPTION	DATE	APPROVED

NOTES:

1. THE PRODUCT SHOWN HEREIN IS DESIGNED AND MANUFACTURED TO COMPLY WITH REQUIREMENTS OF THE 2018 IBC AND 2018 IRC.
2. WOOD FRAMING AND MASONRY OPENING TO BE DESIGNED AND ANCHORED TO PROPERLY TRANSFER ALL LOADS TO STRUCTURE. FRAMING AND MASONRY OPENING IS THE RESPONSIBILITY OF THE ARCHITECT OR ENGINEER OF RECORD.
3. 1X BUCK OVER MASONRY/CONCRETE IS OPTIONAL.
4. WHERE SHIM OR BUCK THICKNESS IS LESS THAN 1-1/2" UNITS MUST BE ANCHORED THROUGH THE FRAME IN ACCORDANCE WITH MANUFACTURER'S PUBLISHED INSTALLATION INSTRUCTIONS. ANCHORS SHALL BE SECURELY FASTENED DIRECTLY INTO MASONRY, CONCRETE OR OTHER STRUCTURAL SUBSTRATE MATERIAL.
5. WHERE WOOD BUCK THICKNESS IS 1-1/2" OR GREATER, BUCK SHALL BE SECURELY FASTENED TO MASONRY, CONCRETE OR OTHER STRUCTURAL SUBSTRATE. UNITS MAY BE ANCHORED THROUGH FRAME TO SECURED WOOD BUCK IN ACCORDANCE WITH MANUFACTURER'S PUBLISHED INSTALLATION INSTRUCTIONS.
6. WHERE 1X BUCK IS NOT USED DISSIMILAR MATERIALS MUST BE SEPARATED WITH APPROVED COATING OR MEMBRANE. SELECTION OF COATING OR MEMBRANE IS THE RESPONSIBILITY OF THE ARCHITECT OR ENGINEER OF RECORD.
7. BUCKS SHALL EXTEND BEYOND UNIT FRAME INTERIOR FACE SO THAT FULL FRAME SUPPORT IS PROVIDED.
8. SHIM AS REQUIRED AT EACH ANCHOR LOCATION WITH LOAD BEARING SHIM. SHIM WHERE SPACE OF 1/16" OR GREATER OCCURS. MAXIMUM ALLOWABLE SHIM STACK TO BE 1/4".
9. SHIMS SHALL BE LOCATED, APPLIED AND MADE FROM MATERIALS AND THICKNESS CAPABLE OF SUSTAINING APPLICABLE LOADS.
10. WIND LOAD DURATION FACTOR Cd=1.6 WAS USED FOR WOOD ANCHOR CALCULATIONS.
11. FRAME MATERIAL: FOAM PVC CO-EX.
12. UNITS MUST BE GLAZED PER ASTM E1300-04/09, WITH SAFETY GLAZING.
13. APPROVED IMPACT PROTECTIVE SYSTEM IS REQUIRED FOR THIS PRODUCT IN WIND BORNE DEBRIS REGIONS.
14. FOR ANCHORING THROUGH FRAME INTO WOOD FRAMING OR 2X BUCK USE #10 WOOD SCREWS WITH SUFFICIENT LENGTH TO ACHIEVE A 1 1/4" MINIMUM EMBEDMENT INTO SUBSTRATE. LOCATE ANCHORS AS SHOWN IN ELEVATIONS AND INSTALLATION DETAILS.
15. FOR ANCHORING THROUGH FRAME INTO MASONRY/CONCRETE USE 1/4" TAPCONS WITH

- SUFFICIENT LENGTH TO ACHIEVE A 1 1/4" MINIMUM EMBEDMENT INTO SUBSTRATE WITH 2" MINIMUM EDGE DISTANCE. LOCATE ANCHORS AS SHOWN IN ELEVATIONS AND INSTALLATION DETAILS.
16. FOR ANCHORING THROUGH FRAME INTO METAL STRUCTURE USE #10 SMS OR SELF DRILLING SCREWS WITH SUFFICIENT LENGTH TO ACHIEVE 3 THREADS MINIMUM BEYOND STRUCTURE INTERIOR WALL. LOCATE ANCHORS AS SHOWN IN ELEVATIONS AND INSTALLATION DETAILS.
 17. ALL FASTENERS TO BE CORROSION RESISTANT.
 18. INSTALLATION ANCHORS SHALL BE INSTALLED IN ACCORDANCE WITH ANCHOR MANUFACTURER'S INSTALLATION INSTRUCTIONS AND ANCHORS SHALL NOT BE USED IN SUBSTRATES WITH STRENGTHS LESS THAN THE MINIMUM STRENGTH SPECIFIED BELOW:
 - A. WOOD: MINIMUM SPECIFIC GRAVITY OF G=0.42
 - B. CONCRETE: MINIMUM COMPRESSIVE STRENGTH OF 2,000 PSI.
 - C. MASONRY: HOLLOW/FILLED BLOCK PER ASTM C90 WITH Fm=2,000PSI MINIMUM.
 - D. METAL STRUCTURE: STEEL 18GA (.048") FY=33KSI/FU=52KSI OR ALUMINUM 6063-T5 FU=30KSI .054" THICK MINIMUM

TABLE OF CONTENTS	
SHEET NO.	DESCRIPTION
1	NOTES
2	ELEVATION AND GLAZING DETAILS
3 - 5	INSTALLATION DETAILS
6 - 7	COMPONENTS

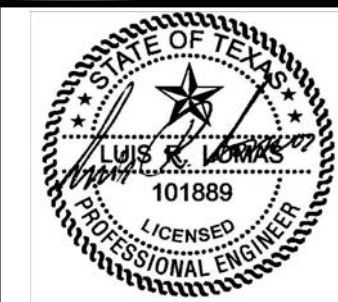
NAN YA PLASTICS CORPORATION USA
8989 NORTH LOOP EAST
HOUSTON, TX 77029

SERIES "PRBJ" FIBERGLASS
OUTSWING FOLDING DOOR NON-IMPACT
NOTES

DRAWN: A.R.	DWG NO. 08-03415	REV -
SCALE NTS	DATE 04/10/19	SHEET 1 OF 7

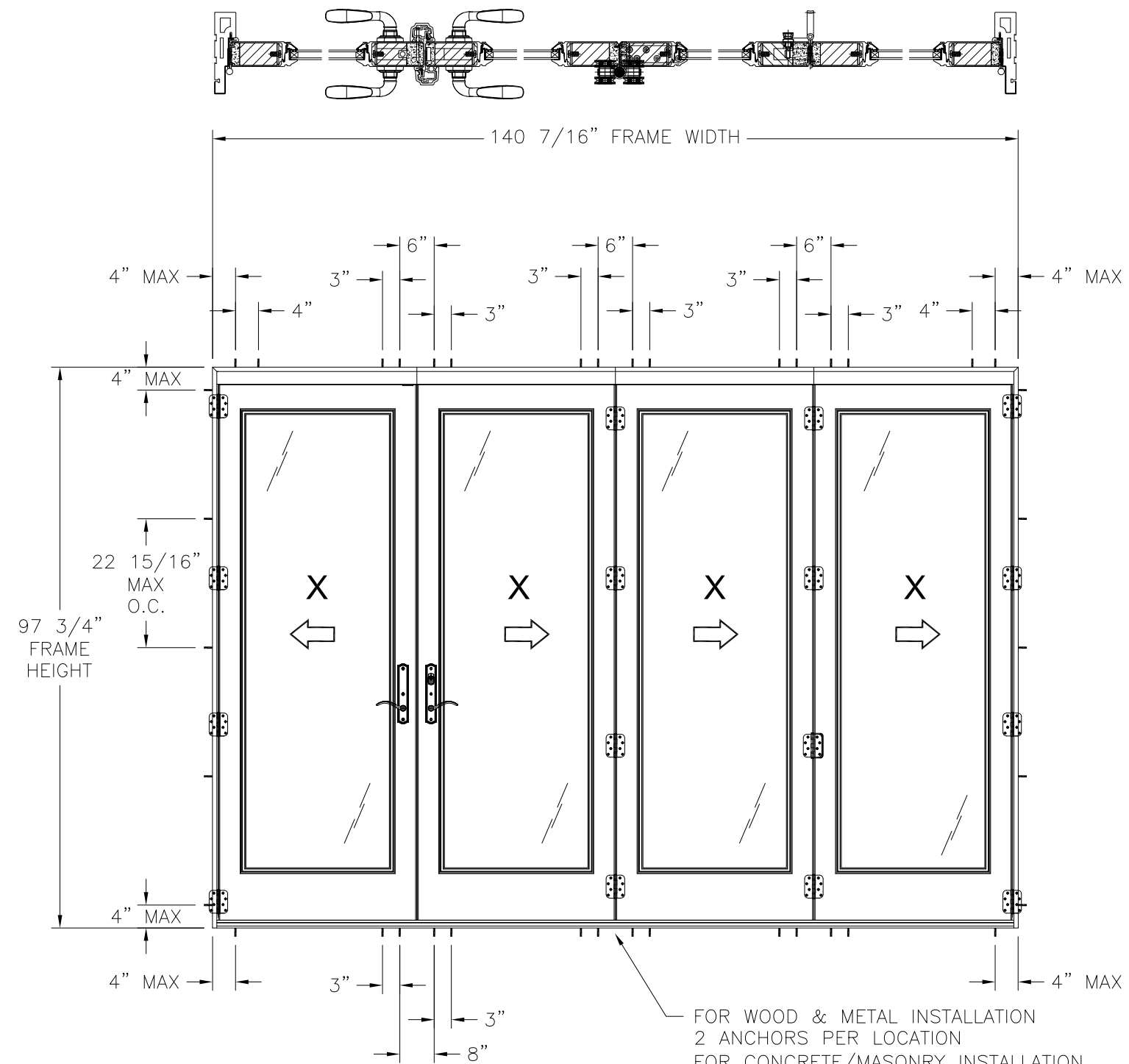
L. ROBERTO LOMAS P.E.
1432 WOODFORD RD LEWISVILLE, NC 27023
434-688-0609 rllomas@lrlomaspe.com

SIGNED: 07/15/2020



Luis R. Lomas P.E.
TX No.: 101889

REVISIONS			
REV	DESCRIPTION	DATE	APPROVED



SERIES "PRBJ" FIBERGLASS OUTSWING FOLDING DOOR
EXTERIOR VIEW

DESIGN PRESSURE RATING	IMPACT RATING
±50.0PSF	NONE

(4) PANELS SHOWN, UNLIMITED NUMBER OF PANELS IN UNLIMITED CONFIGURATIONS IS APPLICABLE AS LONG AS INDIVIDUAL PANEL AREA DOES NOT EXCEED 22.35 FT²

HARDWARE SCHEDULE	
A.	(1) SLAB MULTI-POINT LOCK WITH KEEPER (STAINLESS STEEL)
B.	TOP AND BOTTOM DRIVE BAR SYSTEM WITH KEEPERS (STAINLESS STEEL, STEEL)
C.	(1) FLUSH BOLT SYSTEM WITH KEEPERS (DIE CAST, STEEL)
D.	(1) STEEL 4 X 3 1/4 DOOR HINGE (A & B)
E.	(1) HANDLE SET AT ACTIVE AND PASSIVE PANEL WITH ASTRAGAL
F.	WOOD REINFORCEMENT 2 5/8" (A) (WHITE PINE)
G.	WOOD REINFORCEMENT 2 1/8" (B) (WHITE PINE)
H.	WOOD REINFORCEMENT 1 3/8" (C) (WHITE PINE)
I.	STEEL REINFORCEMENT 1/8" (SPHC)
J.	SCREW 11/32" X 19/32" (NYLON 66)
K.	T-ASTRAGAL REINFORCEMENT (ALUMINUM)

- NOTES:
- PANEL SIZE.: 34 1/2" X 93 5/16"
 - D.L.O.: 25" X 79"

SIGNED: 07/15/2020

NAN YA PLASTICS CORPORATION USA
8989 NORTH LOOP EAST
HOUSTON, TX 77029

SERIES "PRBJ" FIBERGLASS
OUTSWING FOLDING DOOR NON-IMPACT
ELEVATION

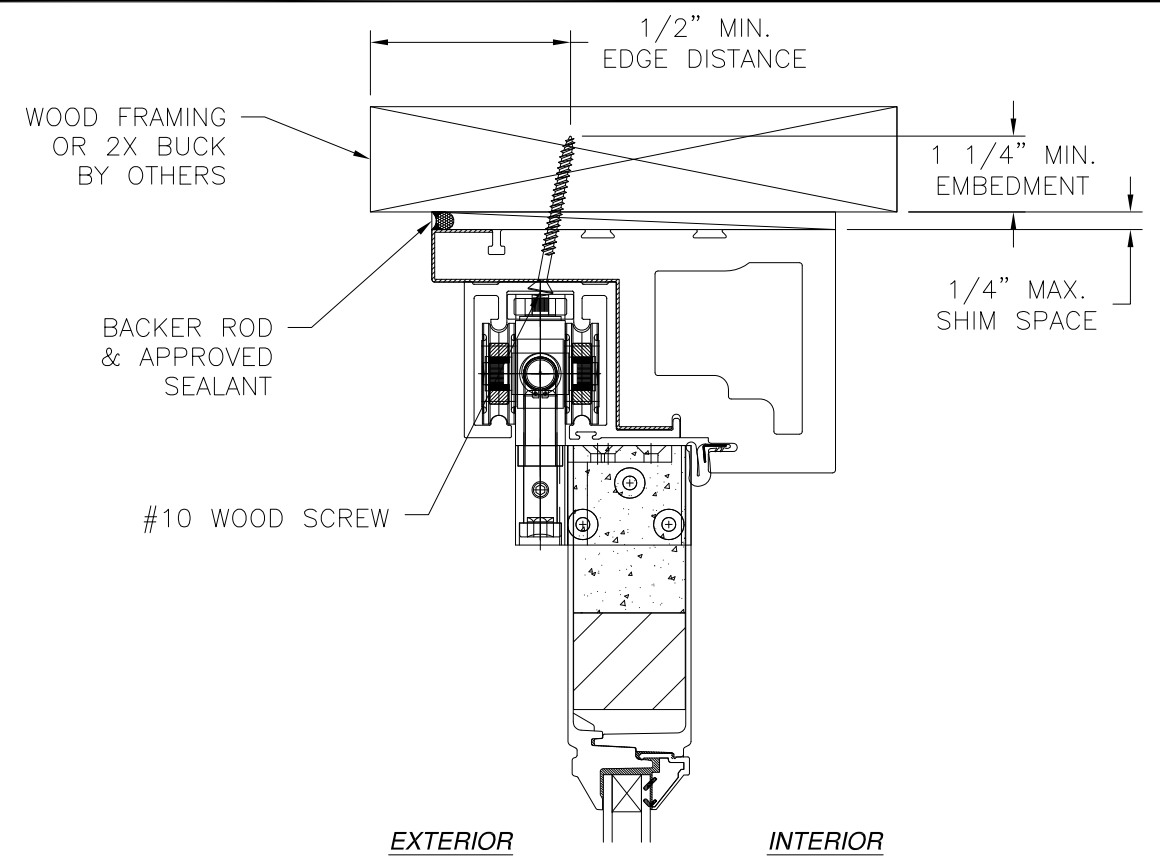
DRAWN: A.R.	DWG NO. 08-03415	REV -
SCALE NTS	DATE 04/10/19	SHEET 2 OF 7

L. ROBERTO LOMAS P.E.
1432 WOODFORD RD LEWISVILLE, NC 27023
434-688-0609 rllomas@rlomaspe.com

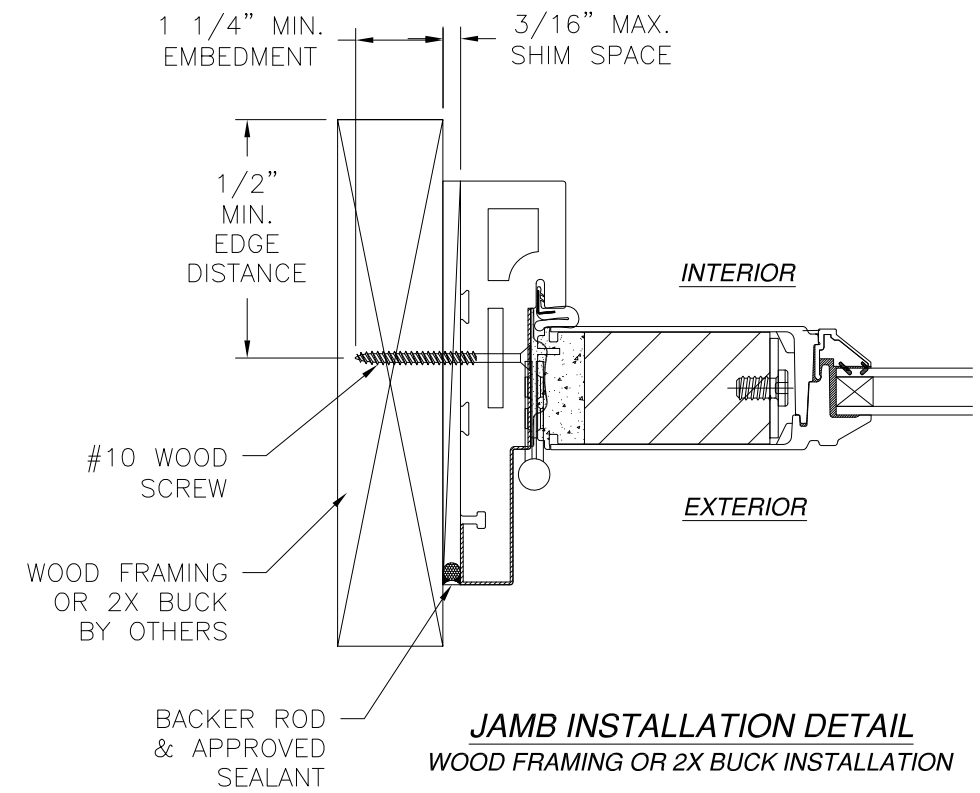


Luis R. Lomas P.E.
TX No.: 101889

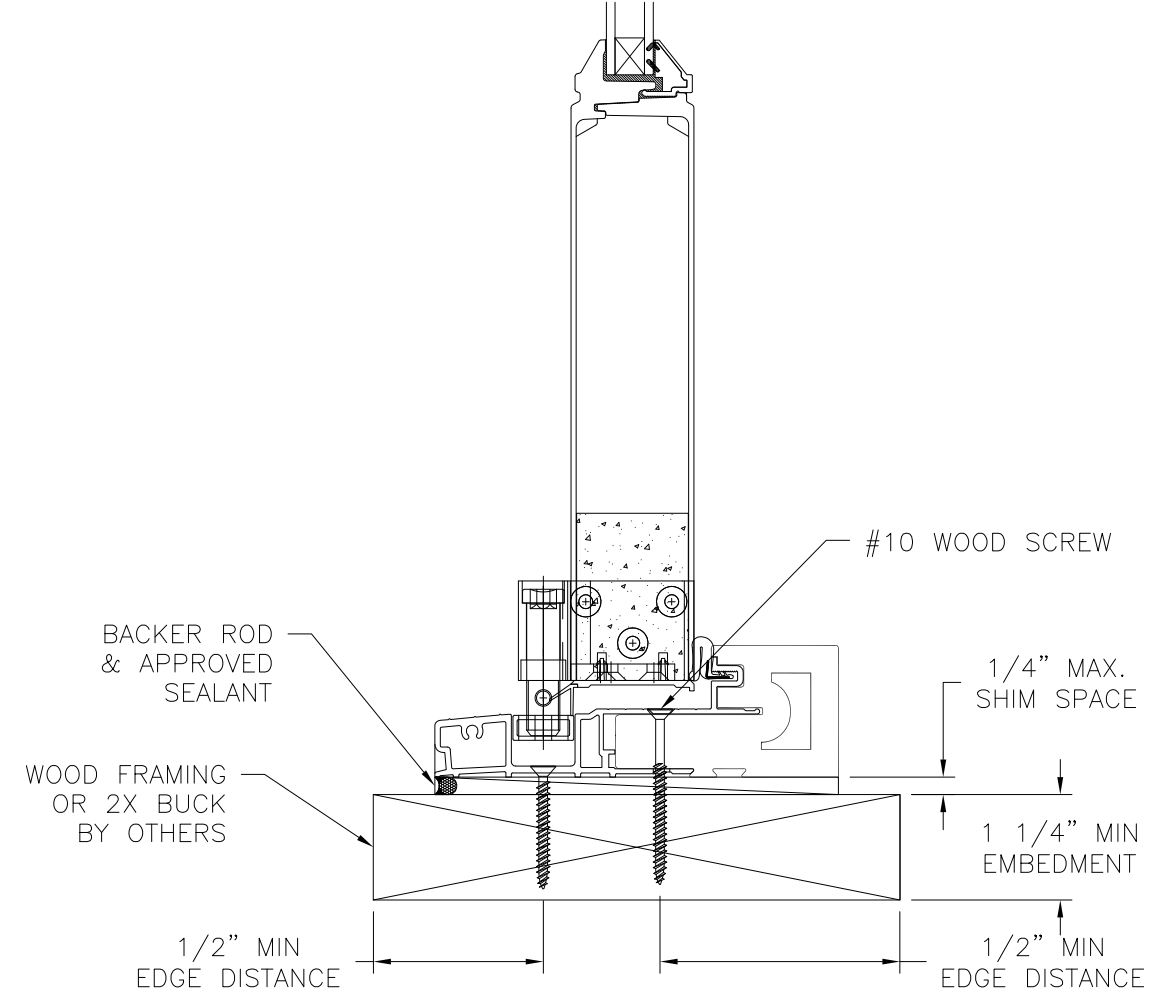
REVISIONS			
REV	DESCRIPTION	DATE	APPROVED



EXTERIOR INTERIOR



JAMB INSTALLATION DETAIL
WOOD FRAMING OR 2X BUCK INSTALLATION



VERTICAL CROSS SECTION
WOOD FRAMING OR 2X BUCK INSTALLATION

NOTES:

1. INTERIOR AND EXTERIOR FINISHES, BY OTHERS, NOT SHOWN FOR CLARITY.
2. PERIMETER AND JOINT SEALANT BY OTHERS TO BE DESIGNED IN ACCORDANCE WITH ASTM E2112

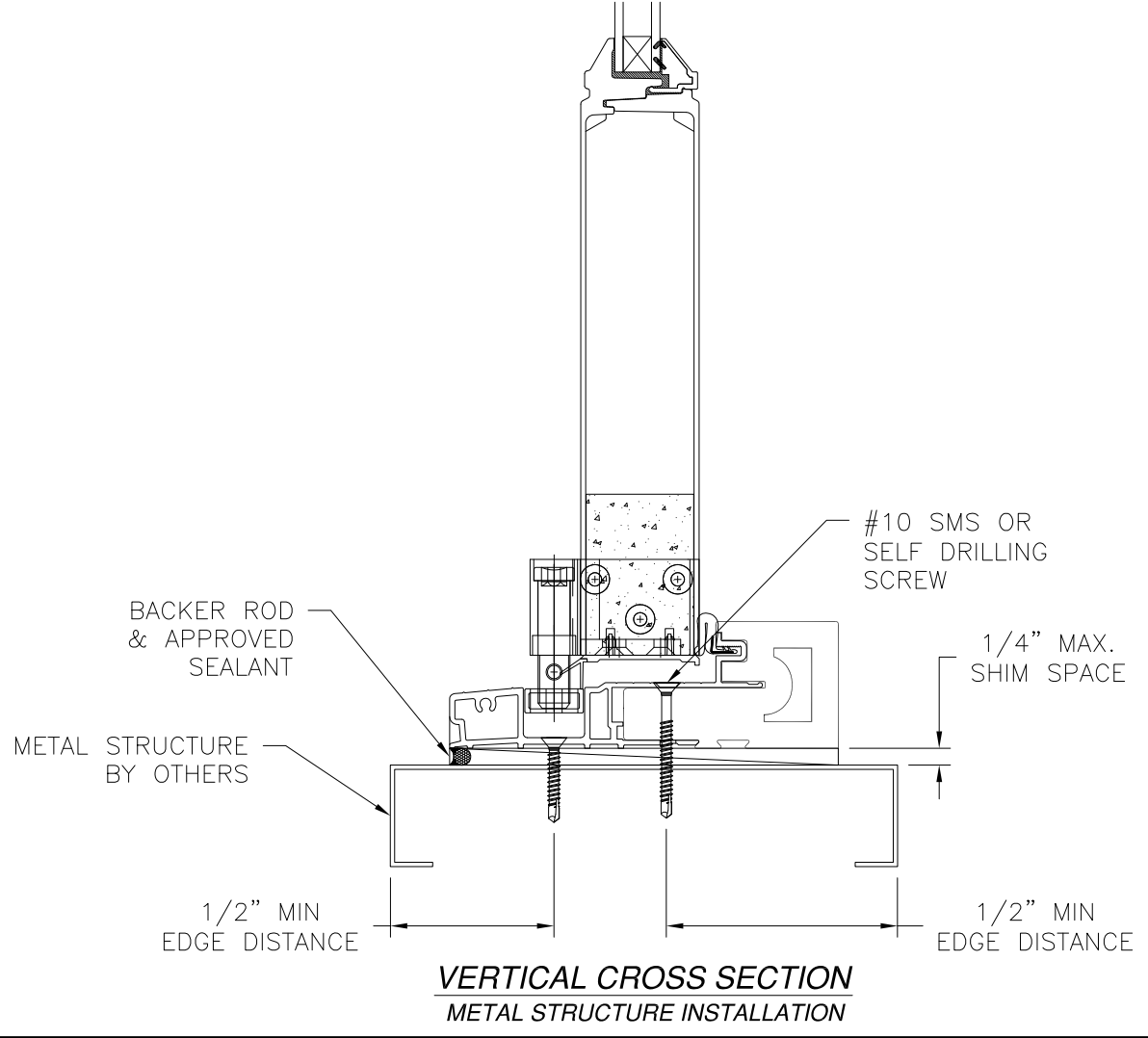
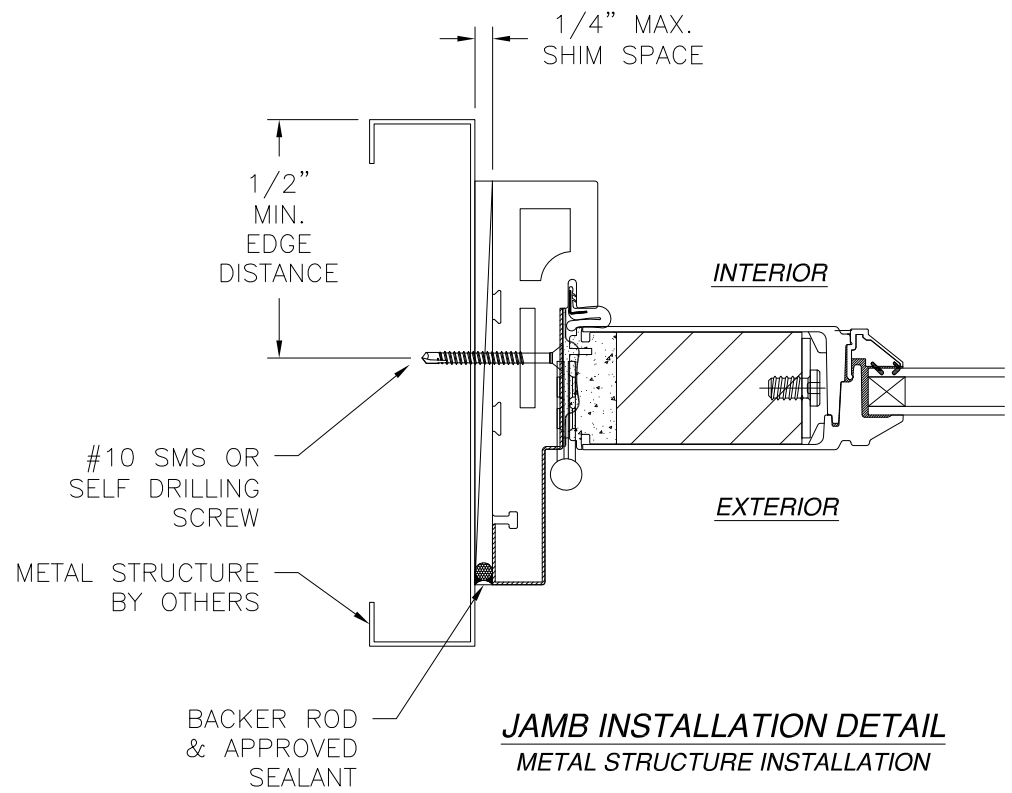
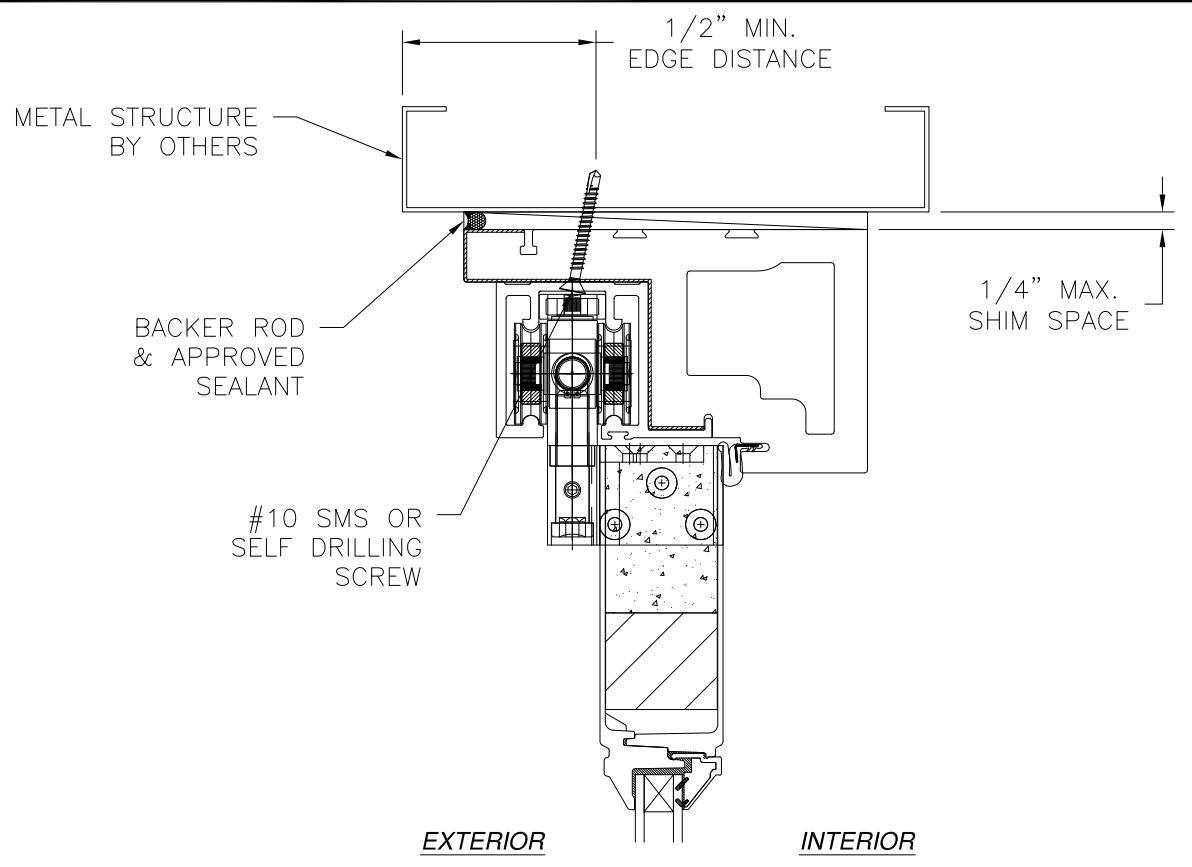
SIGNED: 07/15/2020

<p>NAN YA PLASTICS CORPORATION USA 8989 NORTH LOOP EAST HOUSTON, TX 77029</p>		
<p>SERIES "PRBJ" FIBERGLASS OUTSWING FOLDING DOOR NON-IMPACT INSTALLATION DETAILS</p>		
DRAWN: A.R.	DWG NO. 08-03415	REV -
SCALE NTS	DATE 04/10/19	SHEET 3 OF 7
<p>L. ROBERTO LOMAS P.E. 1432 WOODFORD RD LEWISVILLE, NC 27023 434-688-0609 rllomas@lrlomaspe.com</p>		



Luis R. Lomas P.E.
TX No.: 101889

REVISIONS			
REV	DESCRIPTION	DATE	APPROVED



- NOTES:**
1. INTERIOR AND EXTERIOR FINISHES, BY OTHERS, NOT SHOWN FOR CLARITY.
 2. PERIMETER AND JOINT SEALANT BY OTHERS TO BE DESIGNED IN ACCORDANCE WITH ASTM E2112

SIGNED: 07/15/2020

NAN YA PLASTICS CORPORATION USA
 8989 NORTH LOOP EAST
 HOUSTON, TX 77029

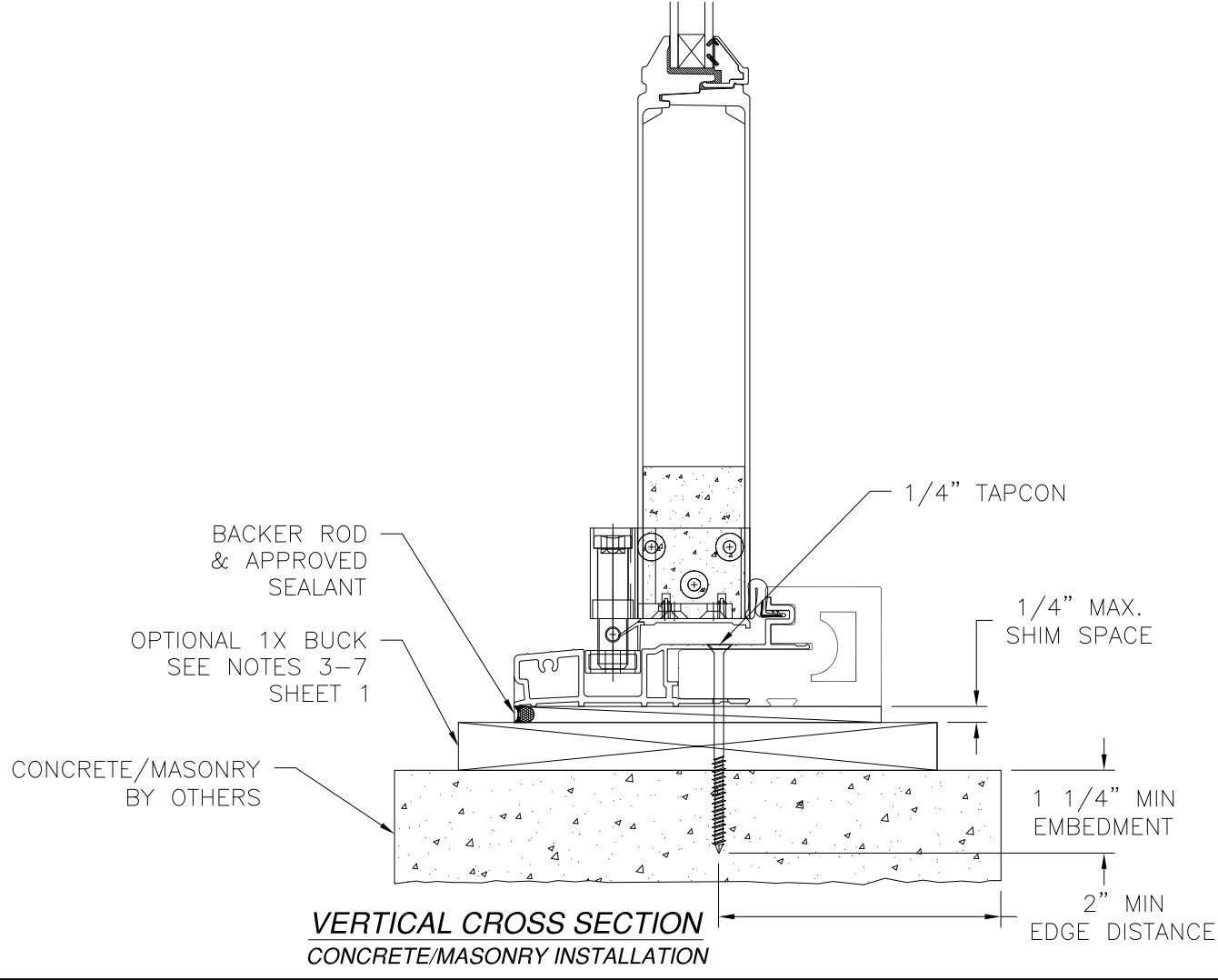
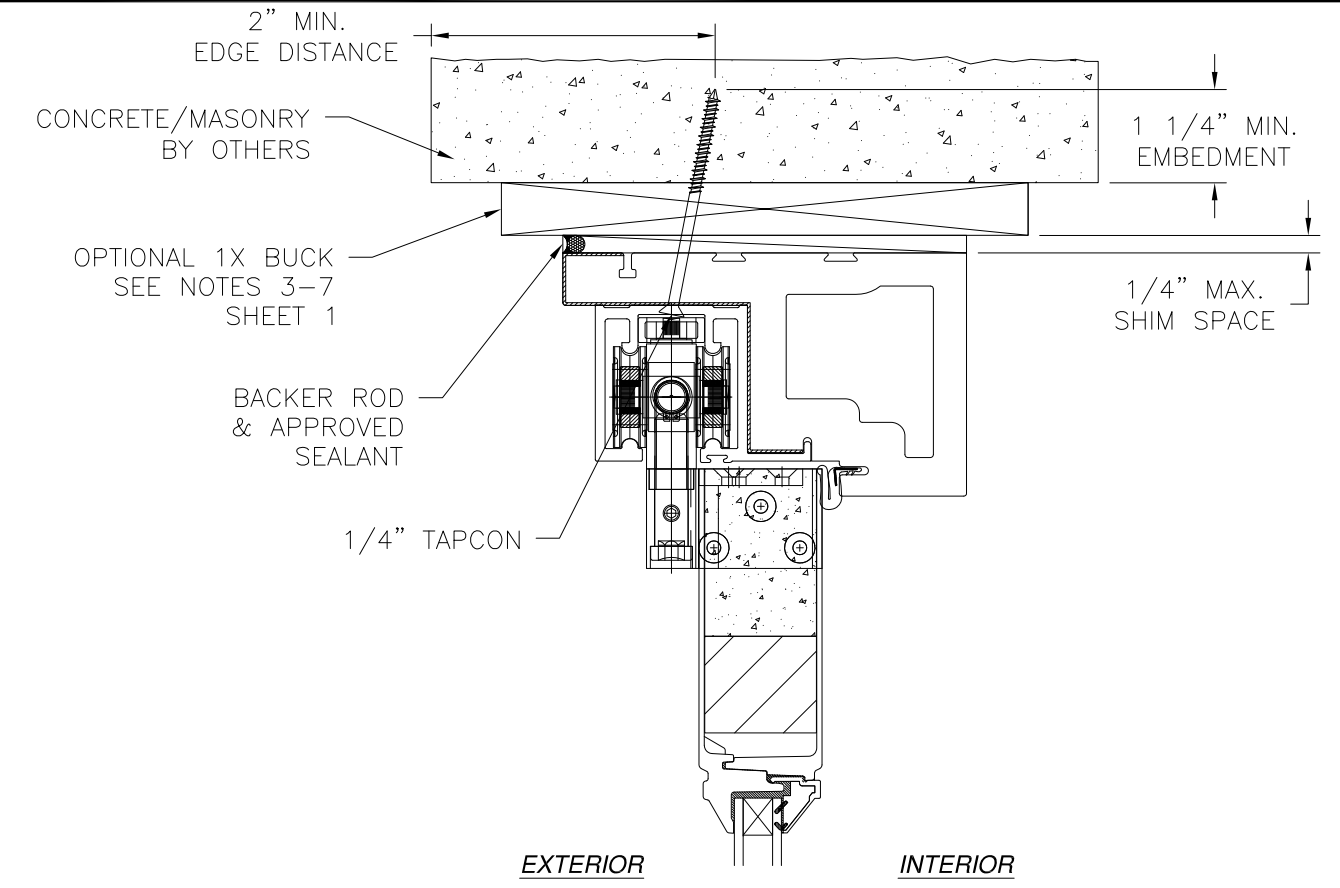
SERIES "PRBJ" FIBERGLASS
 OUTSWING FOLDING DOOR NON-IMPACT
 INSTALLATION DETAILS

DRAWN: A.R.	DWG NO. 08-03415	REV -
SCALE NTS	DATE 04/10/19	SHEET 4 OF 7

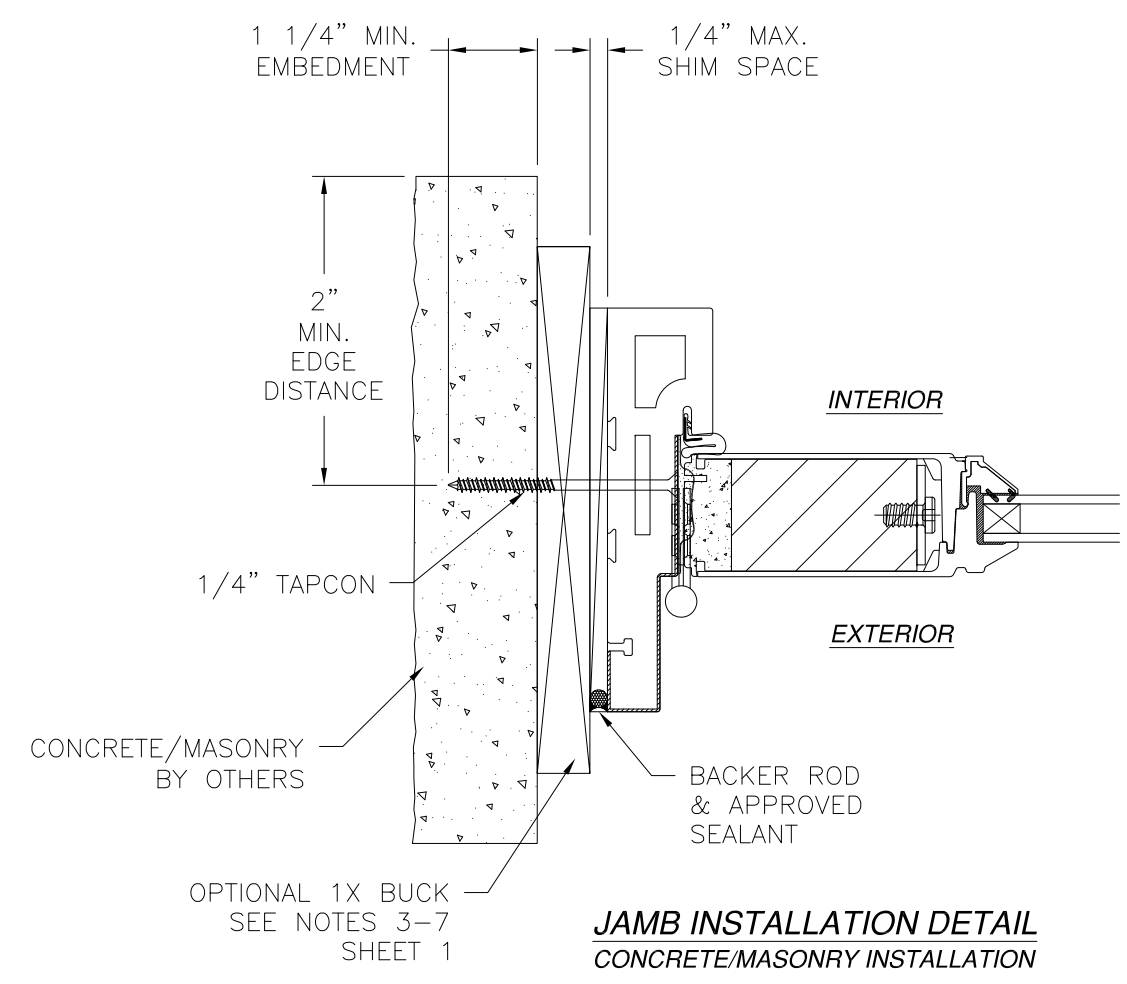
L. ROBERTO LOMAS P.E.
 1432 WOODFORD RD LEWISVILLE, NC 27023
 434-688-0609 rllomas@rlomaspe.com



Luis R. Lomas P.E.
 TX No.: 101889



REVISIONS			
REV	DESCRIPTION	DATE	APPROVED



- NOTES:**
1. INTERIOR AND EXTERIOR FINISHES, BY OTHERS, NOT SHOWN FOR CLARITY.
 2. PERIMETER AND JOINT SEALANT BY OTHERS TO BE DESIGNED IN ACCORDANCE WITH ASTM E2112

SIGNED: 07/15/2020

NAN YA PLASTICS CORPORATION USA
8989 NORTH LOOP EAST
HOUSTON, TX 77029

SERIES "PRBJ" FIBERGLASS
OUTSWING FOLDING DOOR NON-IMPACT
INSTALLATION DETAILS

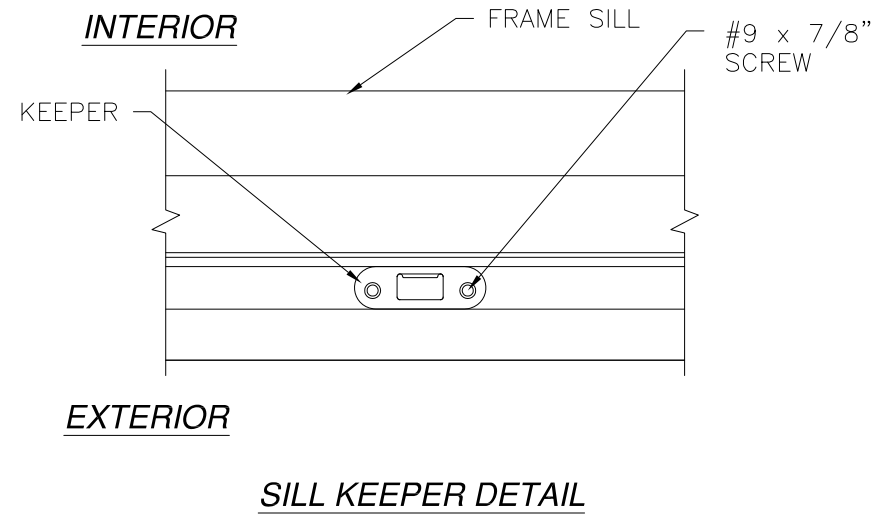
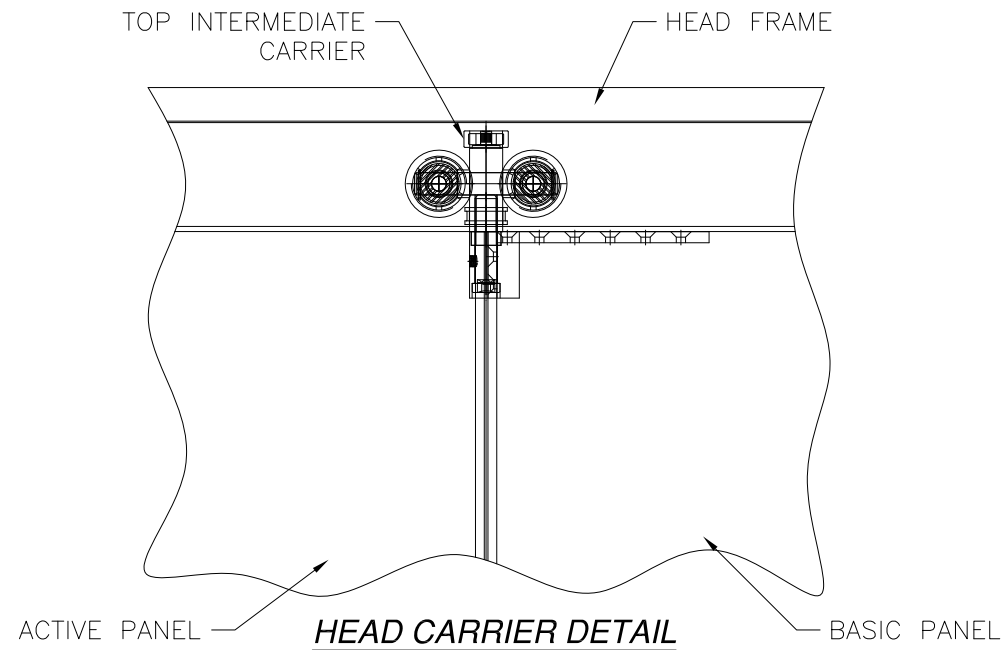
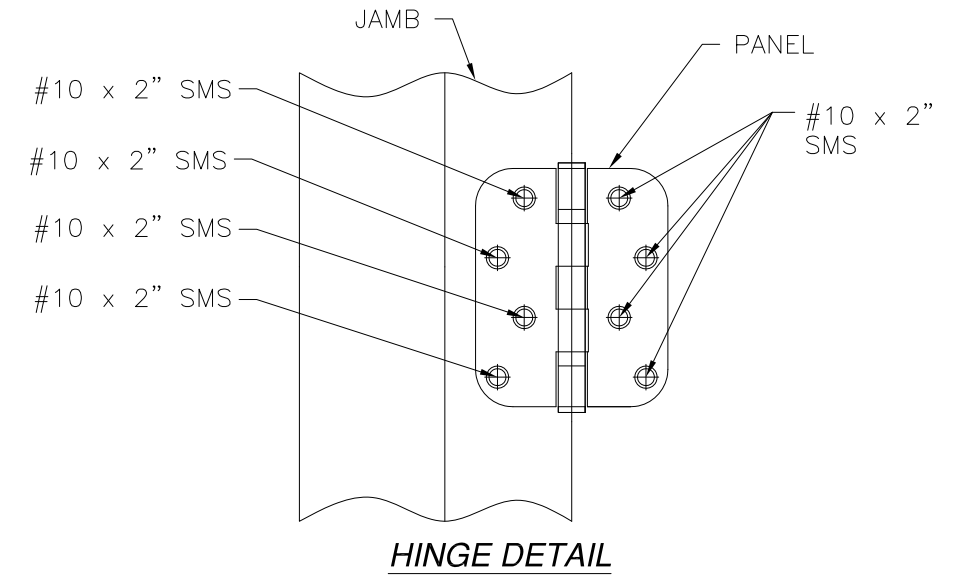
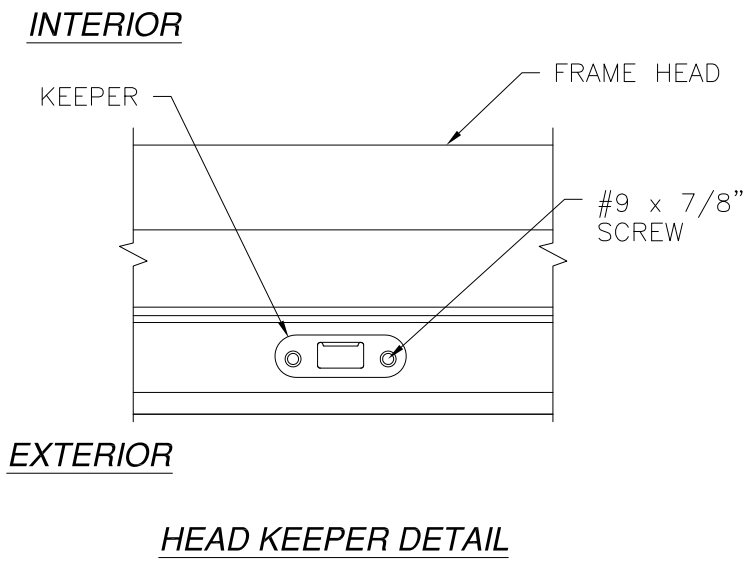
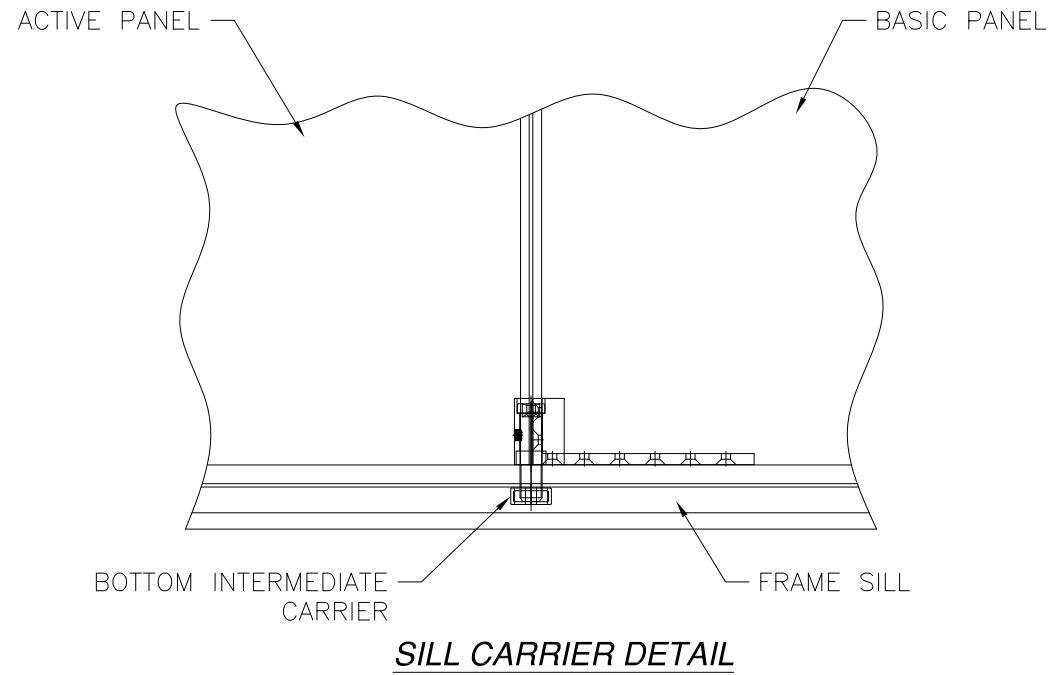
DRAWN: A.R.	DWG NO. 08-03415	REV -
SCALE NTS	DATE 04/10/19	SHEET 5 OF 7

L. ROBERTO LOMAS P.E.
1432 WOODFORD RD LEWISVILLE, NC 27023
434-688-0609 rllomas@rlomaspe.com



Luis R. Lomas P.E.
TX No.: 101889

REVISIONS			
REV	DESCRIPTION	DATE	APPROVED



SIGNED: 07/15/2020

NAN YA PLASTICS CORPORATION USA
 8989 NORTH LOOP EAST
 HOUSTON, TX 77029

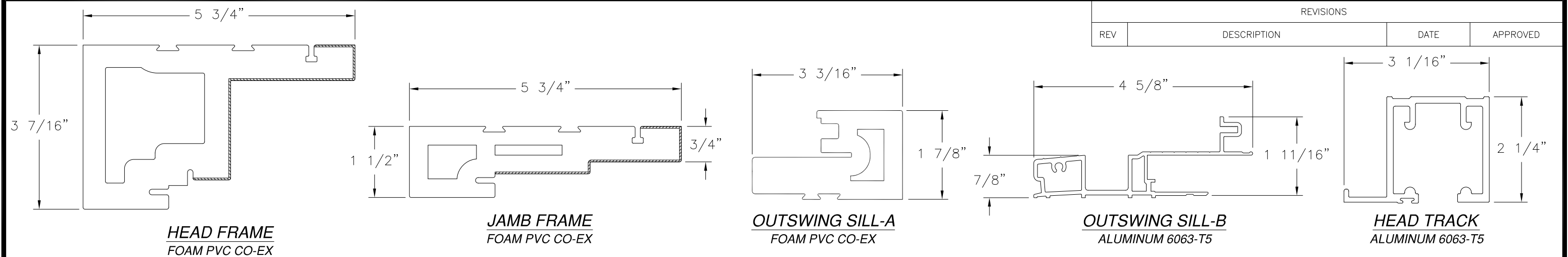
SERIES "PRBJ" FIBERGLASS
 OUTSWING FOLDING DOOR NON-IMPACT
 COMPONENTS DETAILS

DRAWN: A.R.	DWG NO. 08-03415	REV -
SCALE NTS	DATE 04/10/19	SHEET 6 OF 7

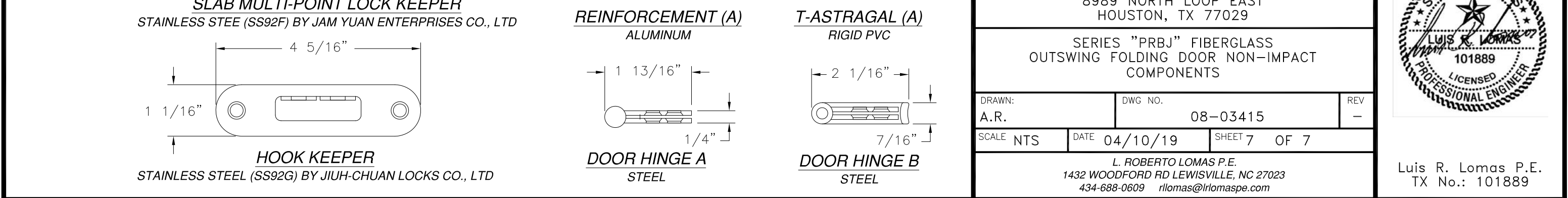
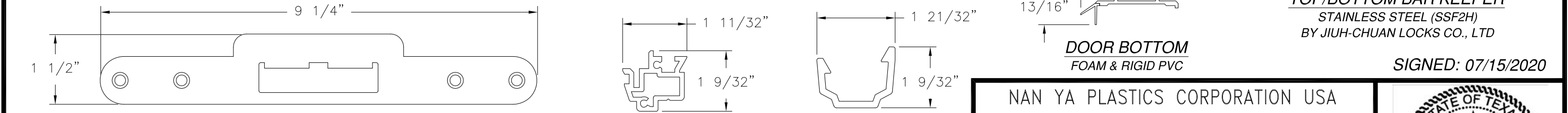
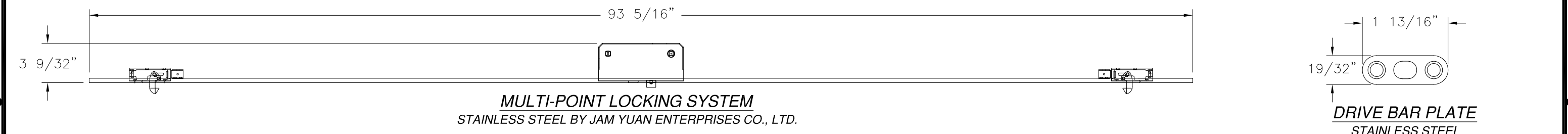
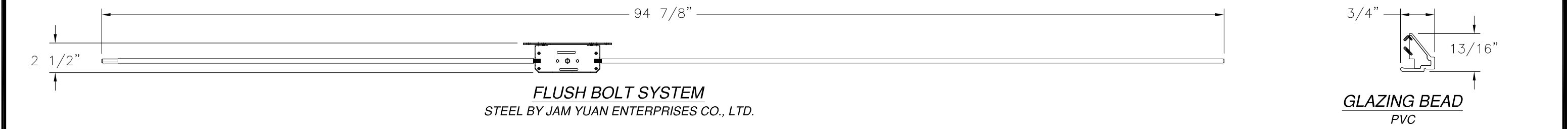
L. ROBERTO LOMAS P.E.
 1432 WOODFORD RD LEWISVILLE, NC 27023
 434-688-0609 rllomas@lrlomaspe.com



Luis R. Lomas P.E.
 TX No.: 101889



REVISIONS			
REV	DESCRIPTION	DATE	APPROVED



NAN YA PLASTICS CORPORATION USA
8989 NORTH LOOP EAST
HOUSTON, TX 77029

SERIES "PRBJ" FIBERGLASS
OUTSWING FOLDING DOOR NON-IMPACT
COMPONENTS

DRAWN: A.R.	DWG NO. 08-03415	REV -
SCALE NTS	DATE 04/10/19	SHEET 7 OF 7

L. ROBERTO LOMAS P.E.
1432 WOODFORD RD LEWISVILLE, NC 27023
434-688-0609 rllomas@rlomaspe.com

SIGNED: 07/15/2020

Luis R. Lomas P.E.
TX No.: 101889