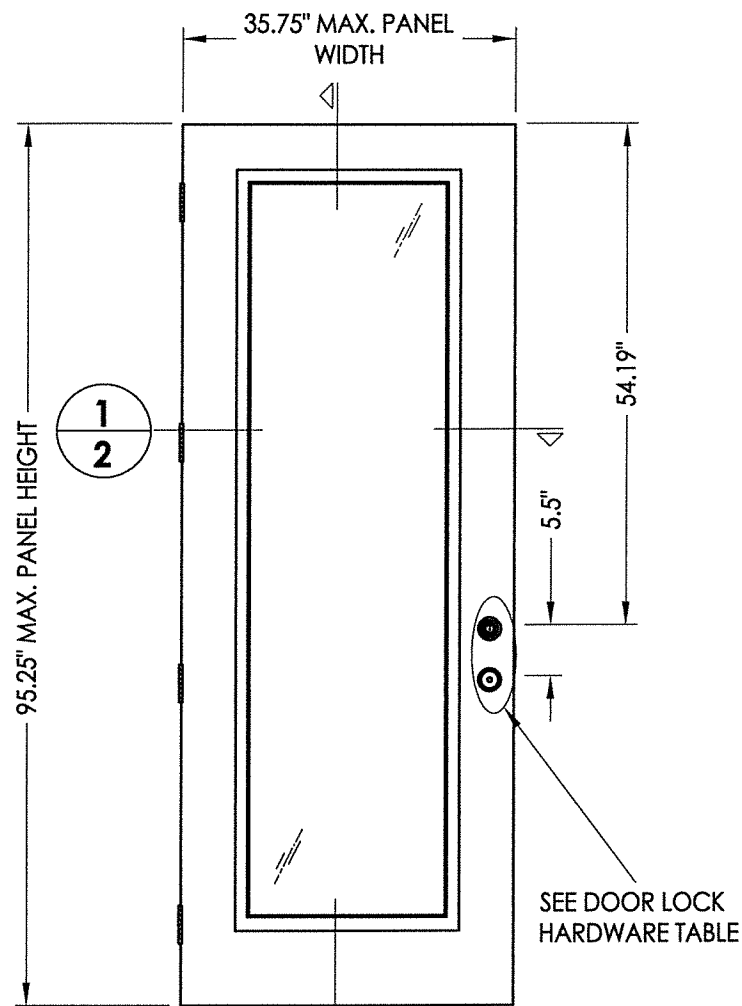


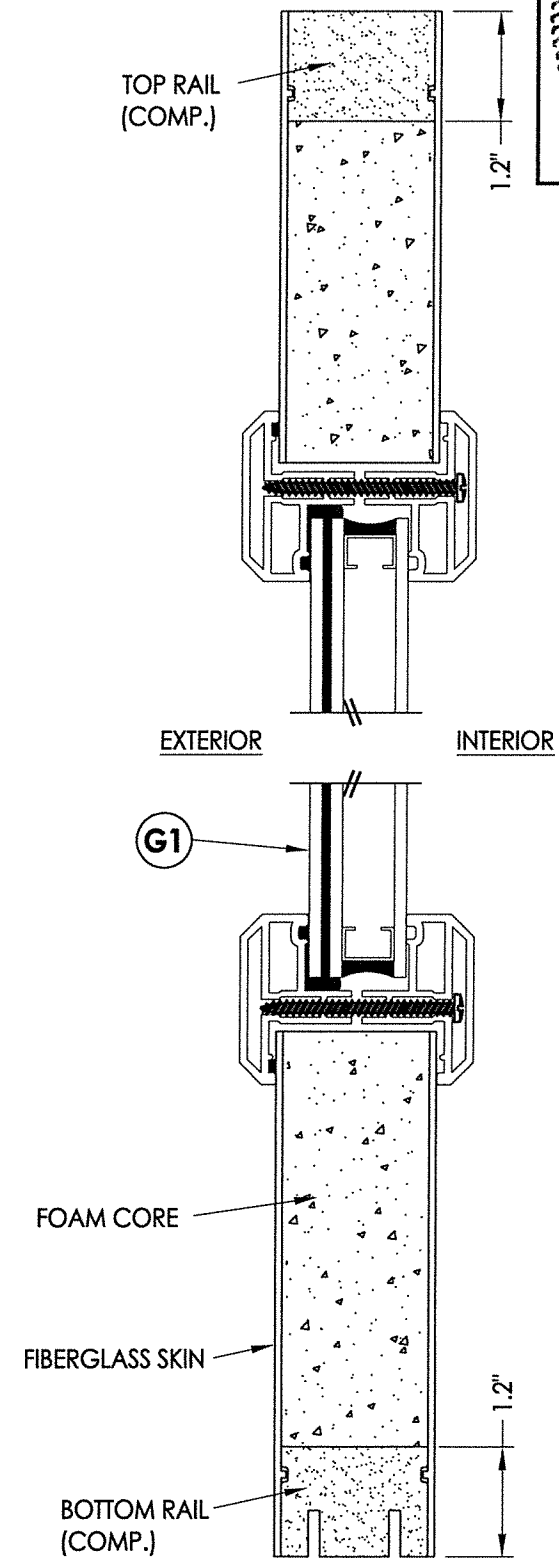
1
2 HORIZONTAL CROSS SECTION



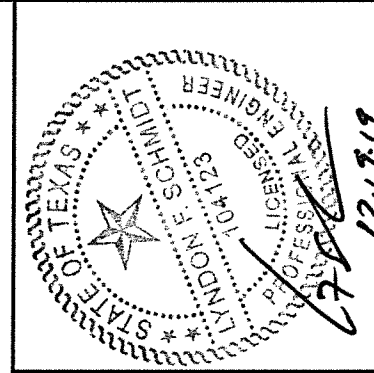
- 40** PLASTPRO DOOR PANEL
- 50** PLASTPRO SIDELITE PANEL

DOOR LOCK HARDWARE TABLE	
MANUFACTURER	MODEL
ENDURA	TRILENNIUM 3000 SERIES MULTI-POINT LOCK (3 pt.)
SCHLAGE	KNOB: "F" SERIES (F60) DEADBOLT: "B" SERIES (B60/62)
KWSIKSET	KNOB: SERIES (400) DEADBOLT: SERIES (660)

FIBERGLASS SKIN: 0.075" MIN. THK.
FOAM CORE: POLYURETHANE - 1.9 PCF MIN.)



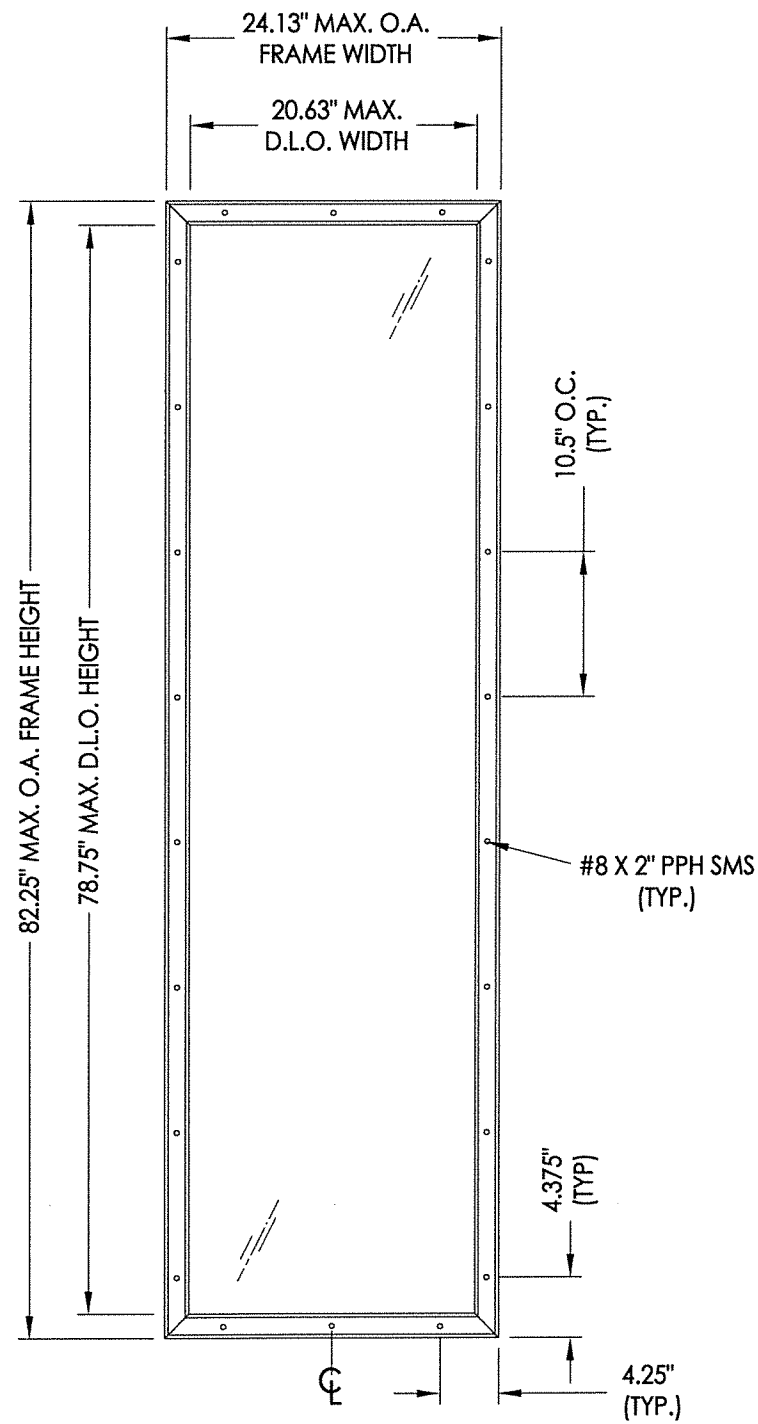
2
2 VERTICAL CROSS SECTION



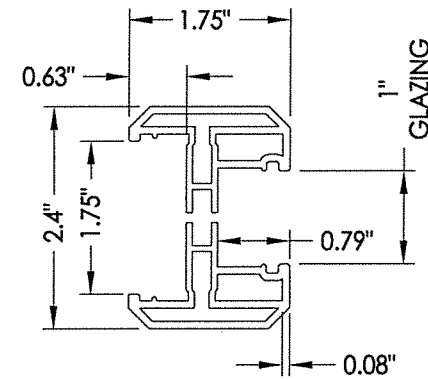
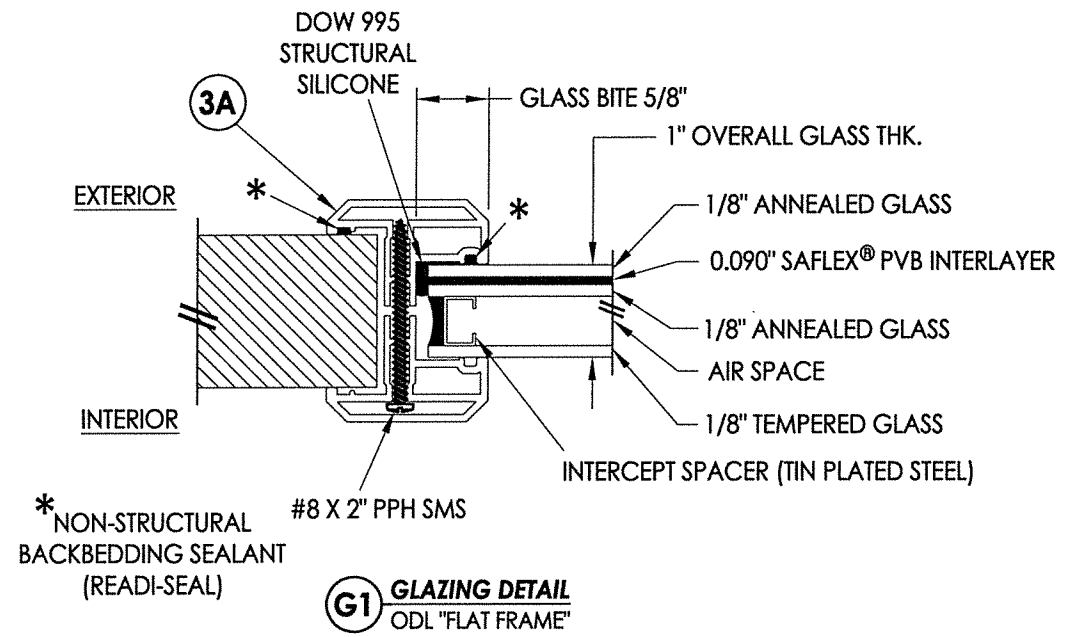
Documents Prepared By: Lyndon F. Schmidt, P.E.
TEXAS P.E. #104123

RW BUILDING CONSULTANTS, INC.
P.O. Box 230 Valrico FL 33595
Phone No.: 813.659.9197
TEXAS BOARD OF PROFESSIONAL ENGINEERS
CERTIFICATE OF REGISTRATION # F-11852

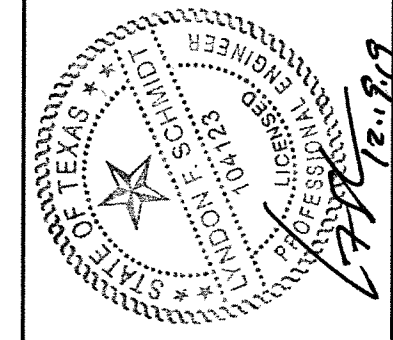
PRODUCT: WINCORE FIBERGLASS ENTRY DOOR "Impact"	
PART OR ASSEMBLY: DOOR PANEL DETAILS	
NO.	DATE
BY	REVISIONS
DATE: 12/4/19	SCALE: N.T.S.
DWG. BY: RW	CHK. BY: LFS
DRAWING NO.: TX-4966	
SHEET 2 OF 9	



ODL LITE FRAME DETAIL
"FLAT FRAME" PROFILE



3A ODL LITE FRAME
"FLAT FRAME" PROFILE
(6063-T5 ALUM)



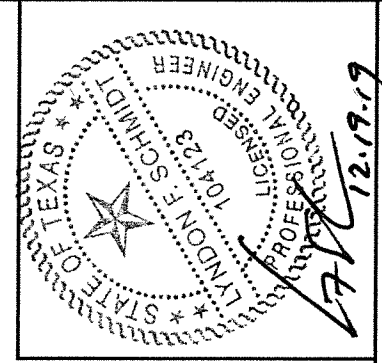
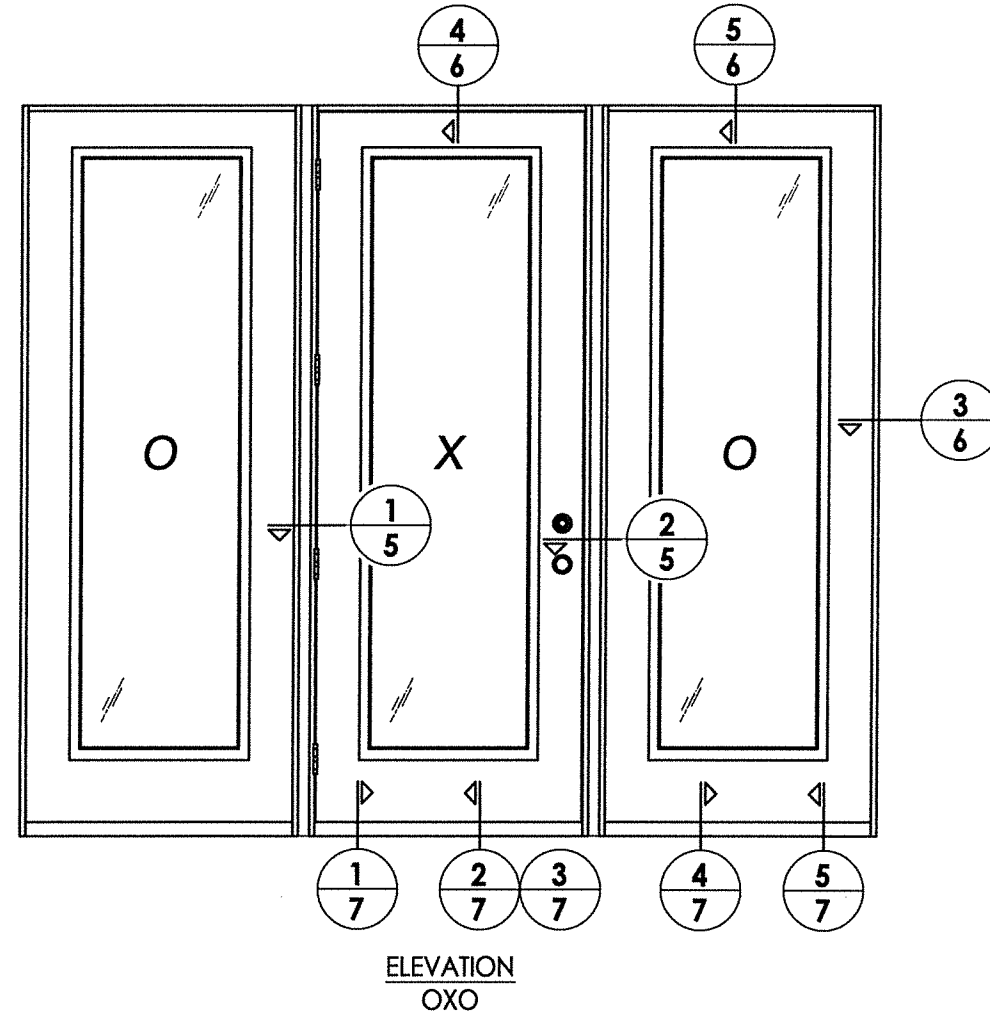
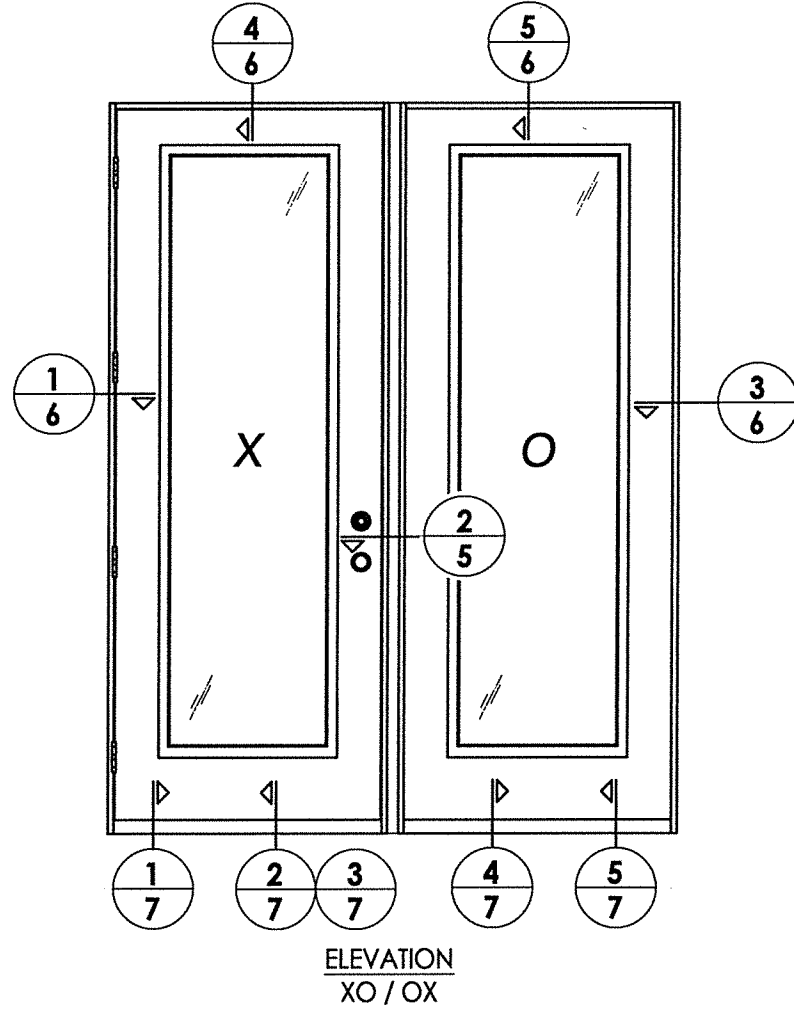
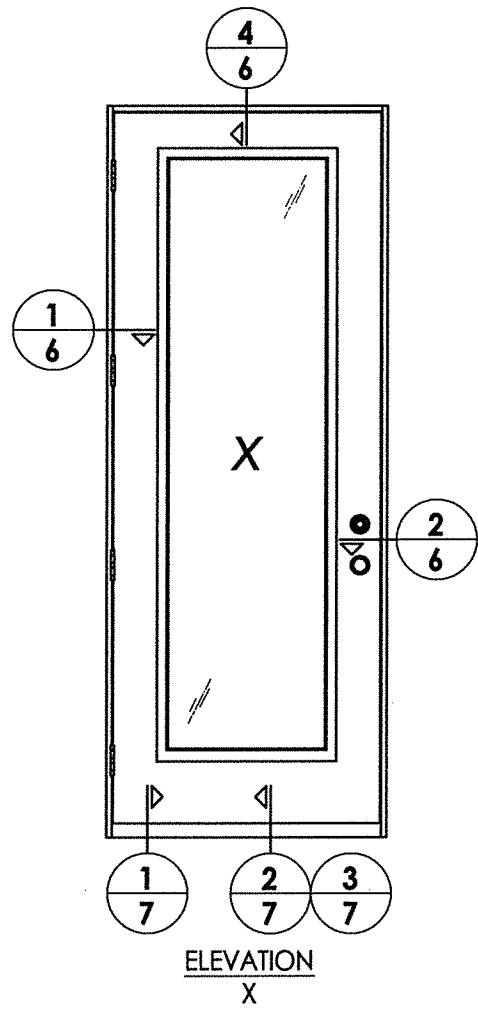
Documents Prepared By: Lyndon F. Schmidt, P.E.
TEXAS P.E. #104123

RW BUILDING CONSULTANTS, INC.
P.O. Box 230 Valrico FL, 33595
Phone No.: 813.659.9197
TEXAS BOARD OF PROFESSIONAL ENGINEERS
CERTIFICATE OF REGISTRATION # F-11852

PRODUCT: WINCORE
FIBERGLASS ENTRY DOOR
"Impact"
PART OR ASSEMBLY:
LITE FRAME
GLAZING DETAILS

NO.	DATE	BY	REVISIONS

DATE: 12/4/19
SCALE: N.T.S.
DWG. BY: RW
CHK. BY: LFS
DRAWING NO.: TX-4966
SHEET 3 OF 9



Documents Prepared By: Lyndon F. Schmidt, P.E.
TEXAS P.E. #104123

RW BUILDING CONSULTANTS, INC.
P.O. Box 250 Valrico FL 33595
Phone No.: 813.659.9197

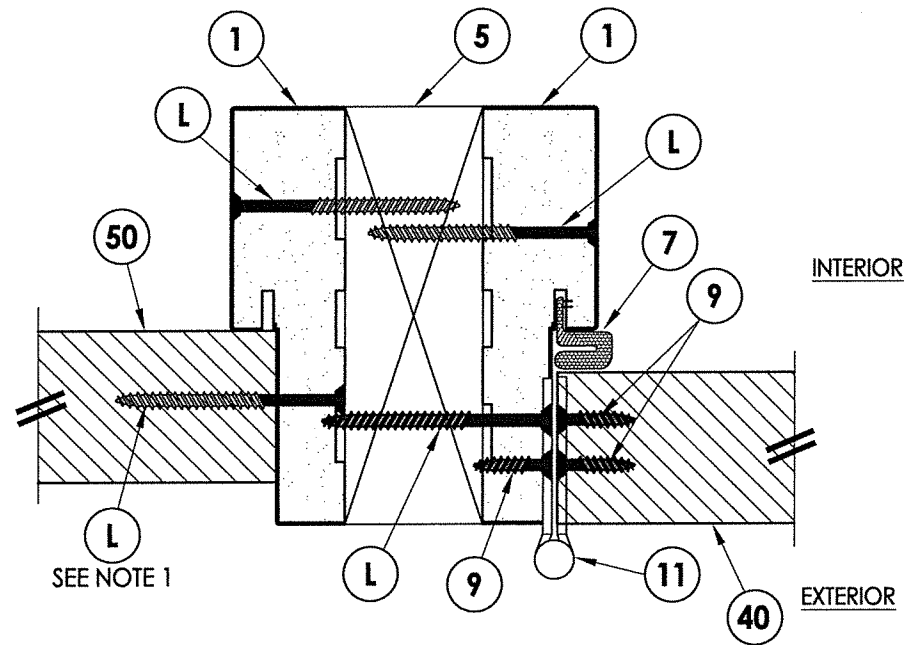
TEXAS BOARD OF PROFESSIONAL ENGINEERS
CERTIFICATE OF REGISTRATION # F-11852

PRODUCT: WINCORE
FIBERGLASS ENTRY DOOR
"Impact"

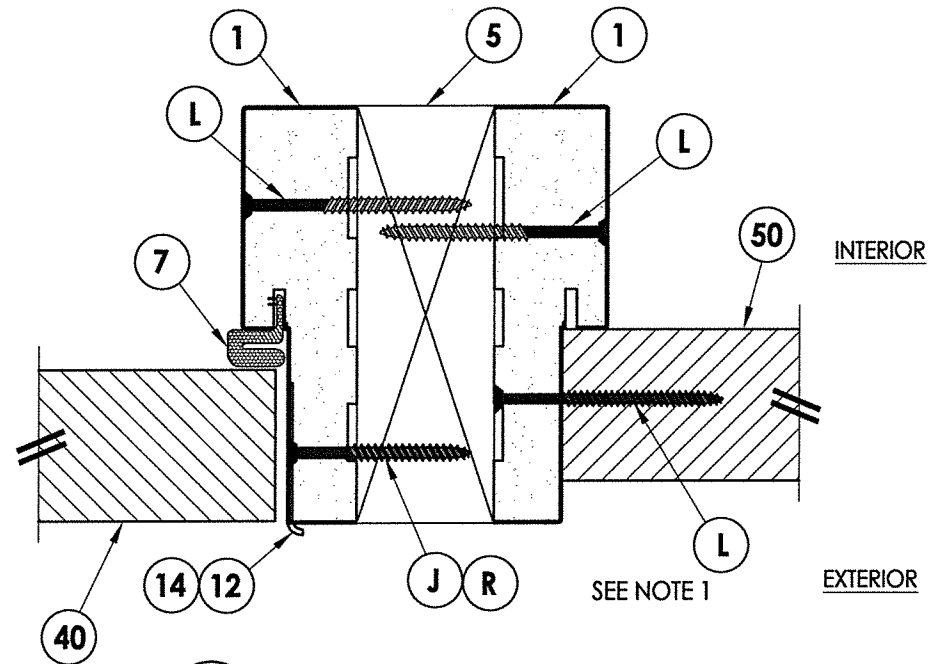
PART OR ASSEMBLY:
ELEVATIONS

NO.	DATE	REVISIONS	BY

DATE: 12/4/19
SCALE: N.T.S.
DWG. BY: RW
CHK. BY: LFS
DRAWING NO.: TX-4966
SHEET 4 OF 9



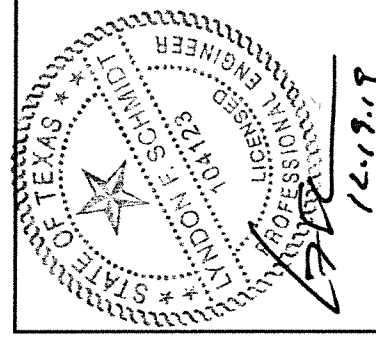
1 HORIZONTAL CROSS SECTION
5 Outswing shown (Inswing similar)
 2X Jamb Reinforcement



2 HORIZONTAL CROSS SECTION
5 Outswing shown (Inswing similar)
 2X Jamb Reinforcement

NOTE:

1. Spacing for item L: 6" from each end and 5 more equally spaced along sidelite jamb (7 total).



Documents Prepared By: Lyndon F. Schmidt, P.E.
 TEXAS P.E. #104123

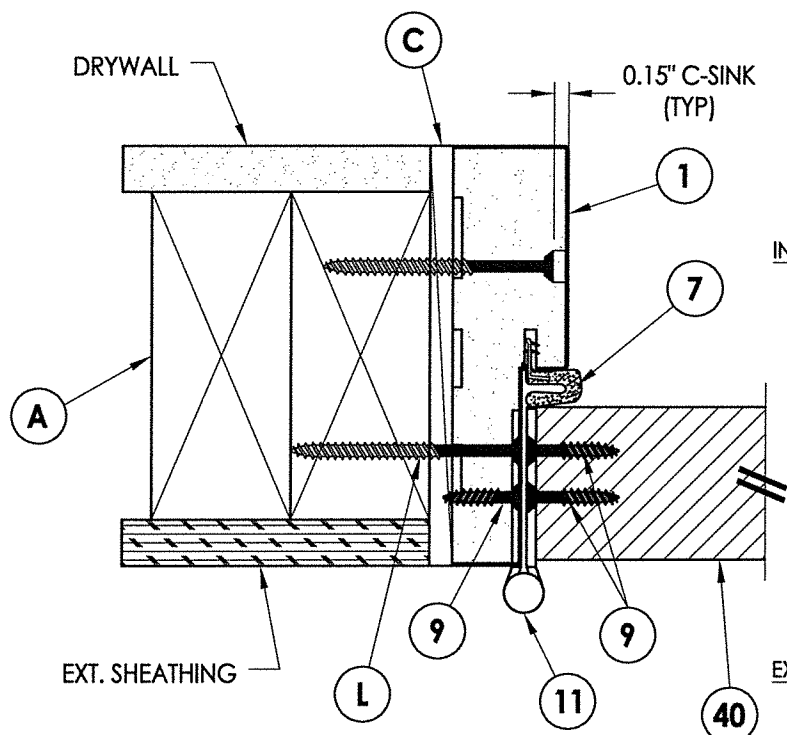
RW BUILDING CONSULTANTS, INC.
 P.O. Box 230 Valrico FL 33595
 Phone No.: 813.659.9197
 TEXAS BOARD OF PROFESSIONAL ENGINEERS
 CERTIFICATE OF REGISTRATION # F-11852

PRODUCT: WINCORE
 FIBERGLASS ENTRY DOOR
 "Impact"
 PART OR ASSEMBLY:
 HORIZONTAL
 CROSS SECTIONS

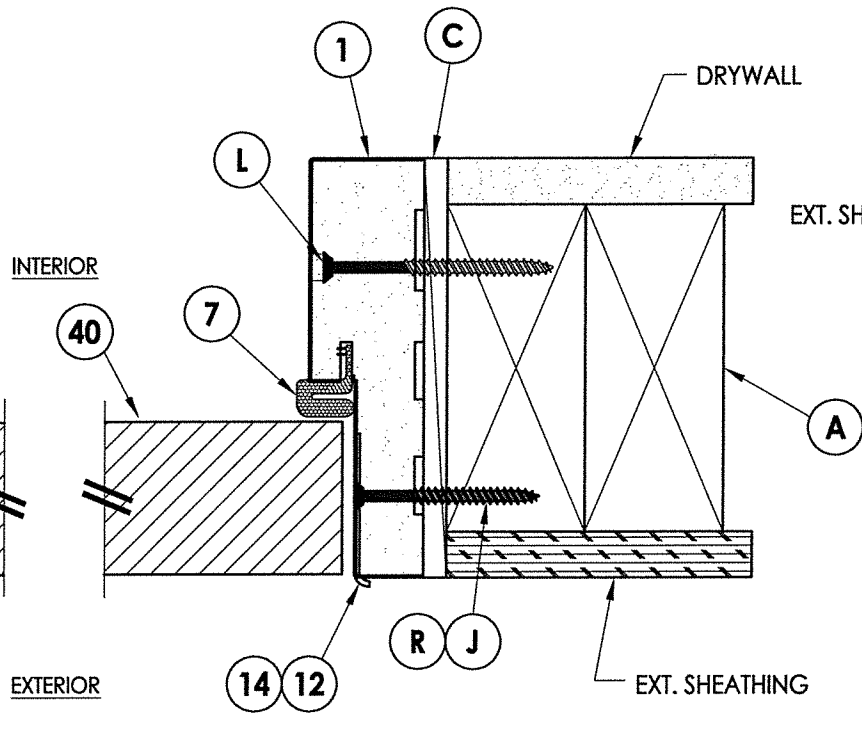
NO.	DATE	BY

DATE: 12/4/19
 SCALE: N.T.S.
 DWG. BY: RW
 CHK. BY: LFS
 DRAWING NO.: TX-4966
 SHEET 5 OF 9

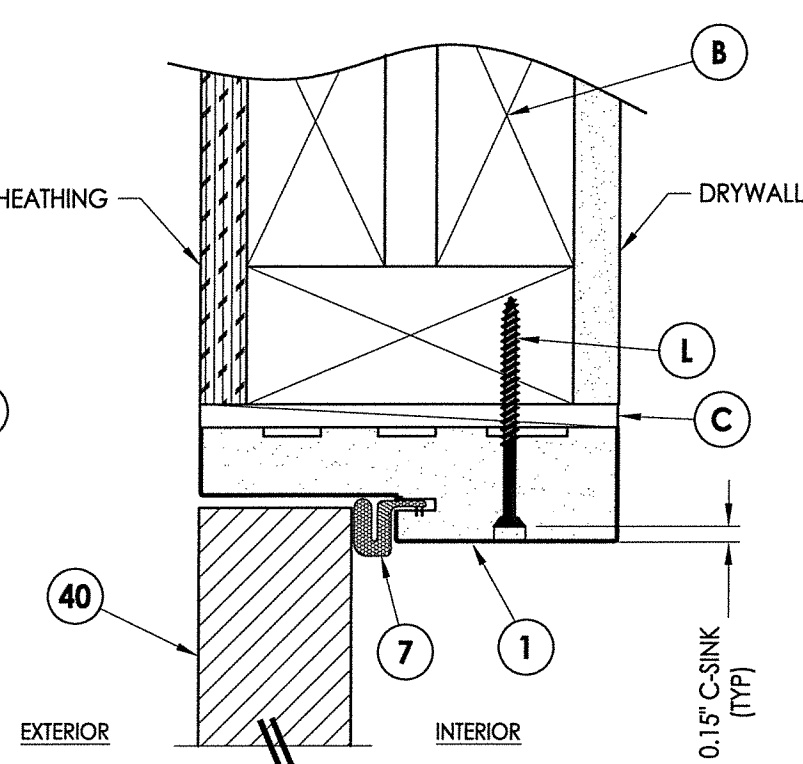
R:\Clients\Wincore PERMANENT\B - Texas Dept of Ins\Doors\TDI XXX - GLZ FG Door, Impact\C - Drawings\TX-4966.67-.dwg, 6.1



1 HORIZONTAL CROSS SECTION
6 Outswing shown (Inswing similar)



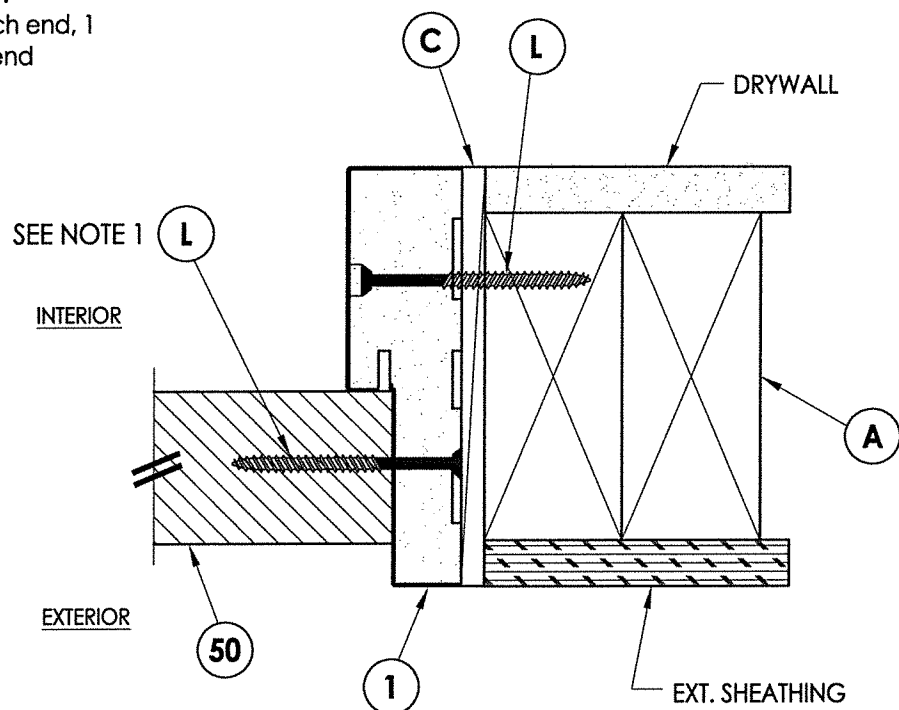
2 HORIZONTAL CROSS SECTION
6 Outswing shown (Inswing similar)



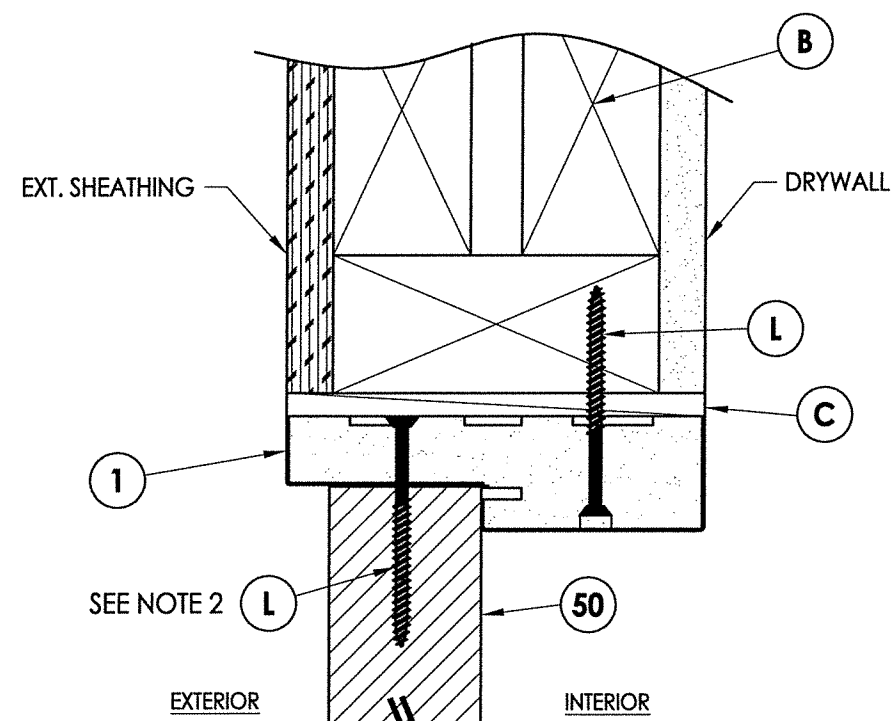
4 VERTICAL CROSS SECTION
6 Outswing shown (Inswing similar)

NOTES:

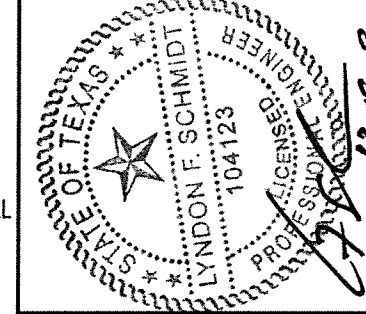
1. Spacing for item L: 6" from each end and 5 more equally spaced along sidelite jamb (7 total).
2. Spacing for item L @ head & sill: 6" from each end, 1 @ centerline, 2 additional at 3" & 4.5" from end adjacent to door.



3 HORIZONTAL CROSS SECTION
6 Outswing shown (Inswing similar)



5 VERTICAL CROSS SECTION
6 Outswing shown (Inswing similar)



Documents Prepared By: Lyndon F. Schmidt, P.E.
TEXAS P.E. #104123

RW BUILDING CONSULTANTS, INC.
P.O. Box 230 Valrico FL 33595
Phone No.: 813.659.9197
TEXAS BOARD OF PROFESSIONAL ENGINEERS
CERTIFICATE OF REGISTRATION # F-11852

PRODUCT: WINCORE
FIBERGLASS ENTRY DOOR
"Impact"

PART OR ASSEMBLY:
HORIZONTAL & VERTICAL
CROSS SECTIONS

NO.	DATE	BY	REVISIONS

DATE: 12/4/19

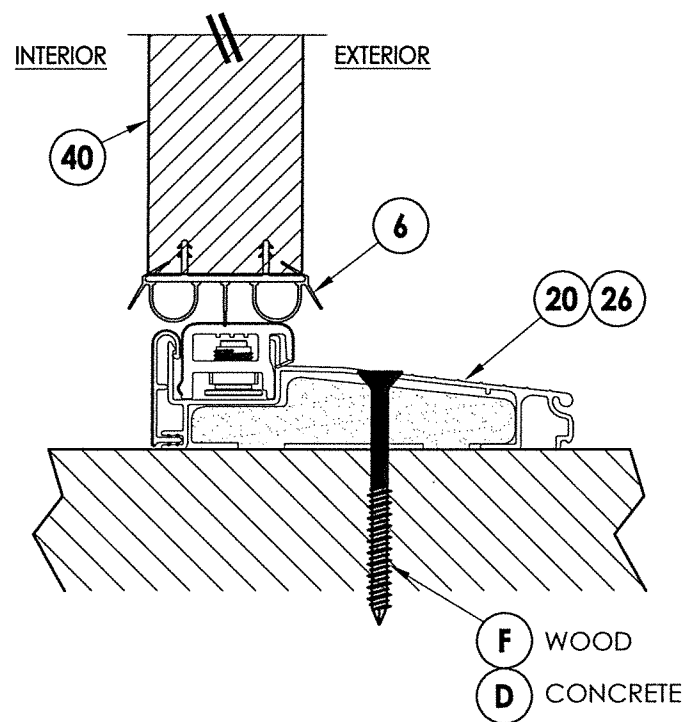
SCALE: N.T.S.

DWG. BY: RW

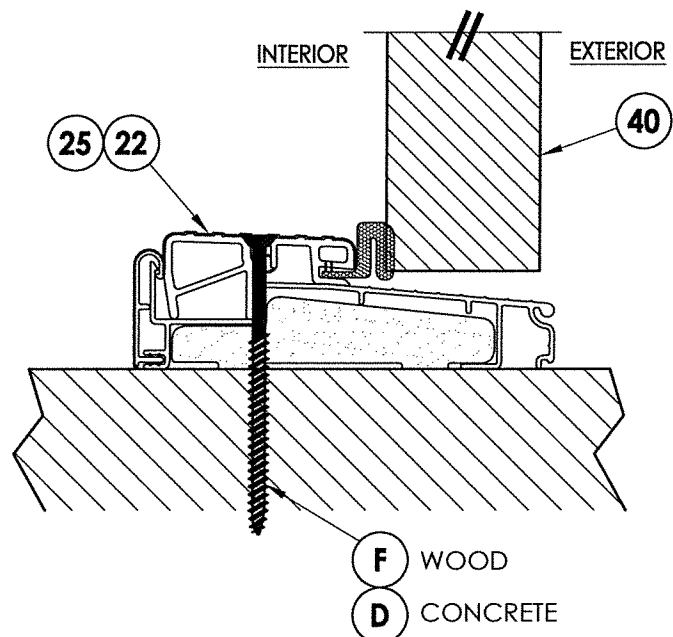
CHK. BY: LFS

DRAWING NO.:
TX-4966

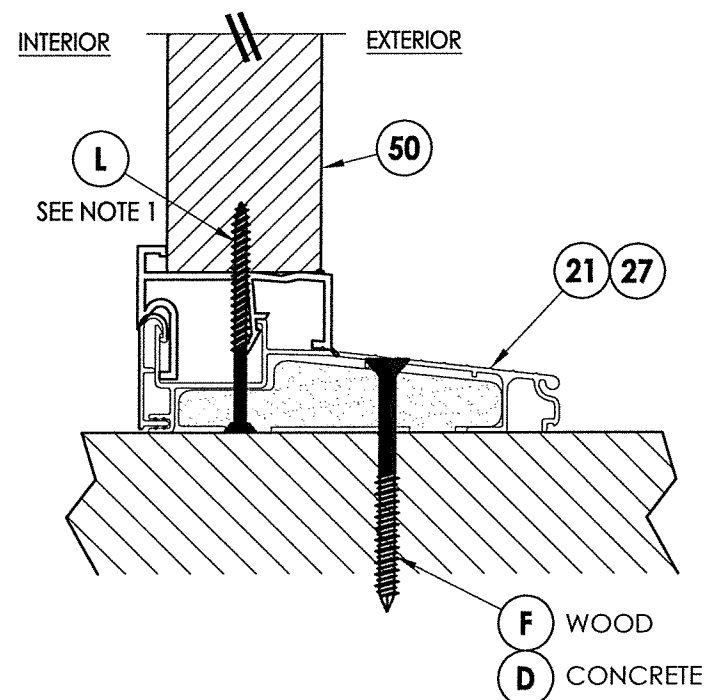
SHEET 6 OF 9



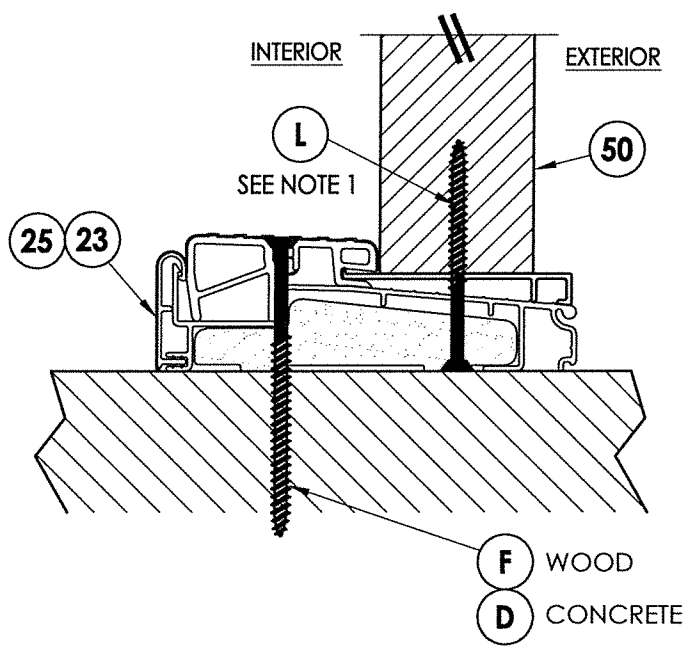
1
7 VERTICAL CROSS SECTION
Inswing sill



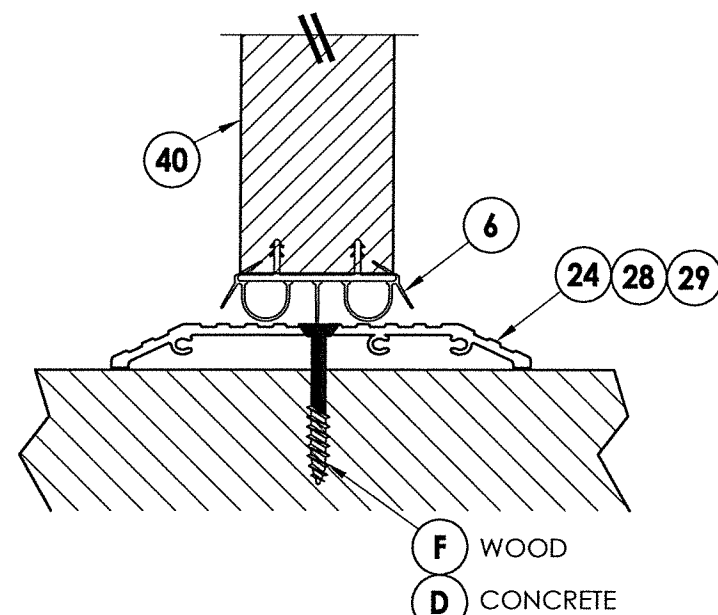
2
7 VERTICAL CROSS SECTION
Outswing sill



4
7 VERTICAL CROSS SECTION
Inswing sill

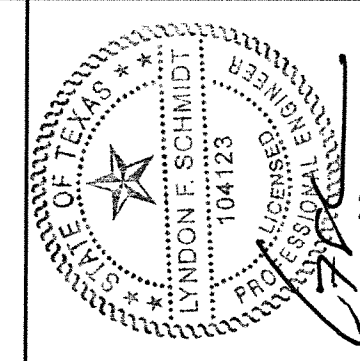


5
7 VERTICAL CROSS SECTION
Inswing sill



3
7 VERTICAL CROSS SECTION
ADA Sill

NOTE:
1. Spacing for item L @ head & sill: 6" from each end, 1 @ centerline, 2 additional at 3" & 4.5" from end adjacent to door.



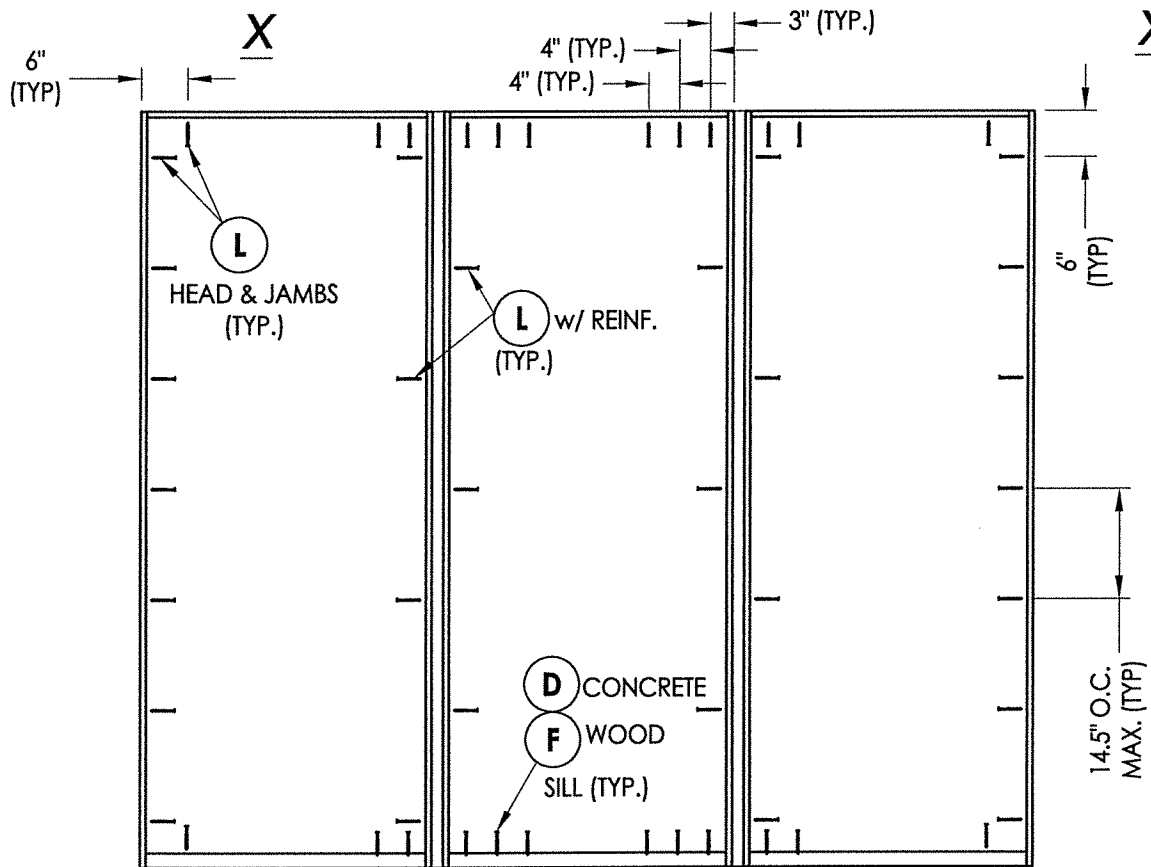
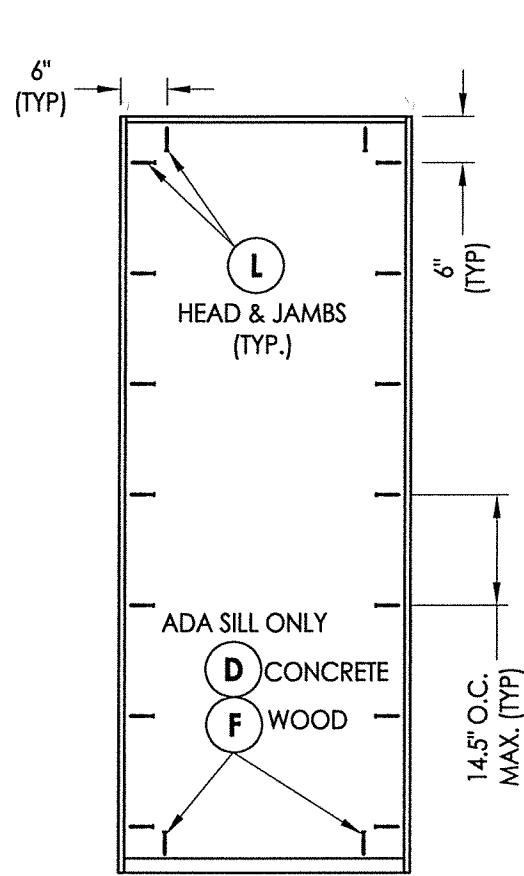
Documents Prepared By: Lyndon F. Schmidt, P.E.
TEXAS P.E. #104123

RW
BUILDING CONSULTANTS, INC.
P.O. Box 230 Valrico FL, 33595
Phone No.: 813.659.9197

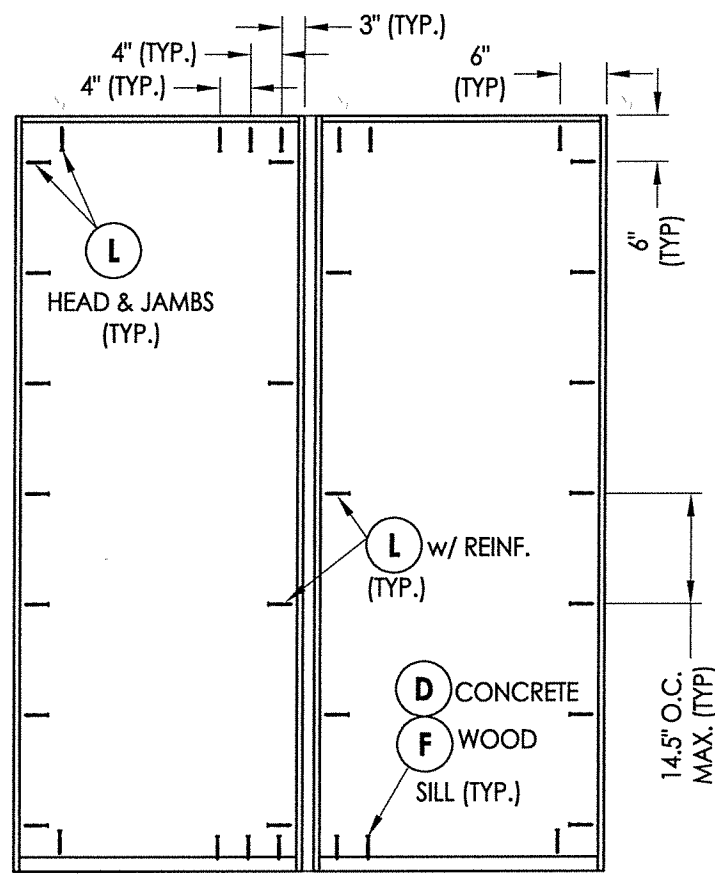
TEXAS BOARD OF PROFESSIONAL ENGINEERS
CERTIFICATE OF REGISTRATION # F-11852

PRODUCT: WINCORE FIBERGLASS ENTRY DOOR "Impact"		PART OR ASSEMBLY: VERTICAL CROSS SECTIONS	
NO.		DATE	
BY		REVISIONS	
DATE: 12/4/19		SCALE: N.T.S.	
DWG. BY: RW		CHK. BY: LFS	
DRAWING NO.: TX-4966		SHEET 7 OF 9	

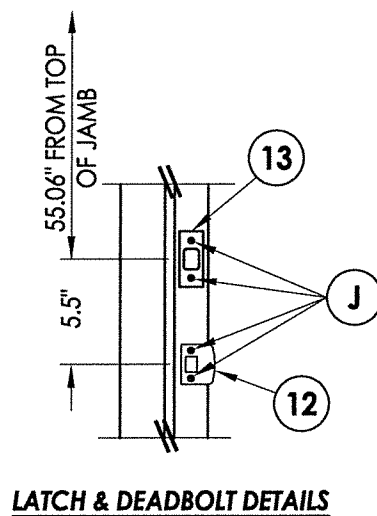
R:\Clients\Wincore PERMANENT\B - Texas Dept of Ins\Doors\TDI XXX - GLZ FG Door, Impact\C - Drawings\TX-4966.67-.dwg, 8.1



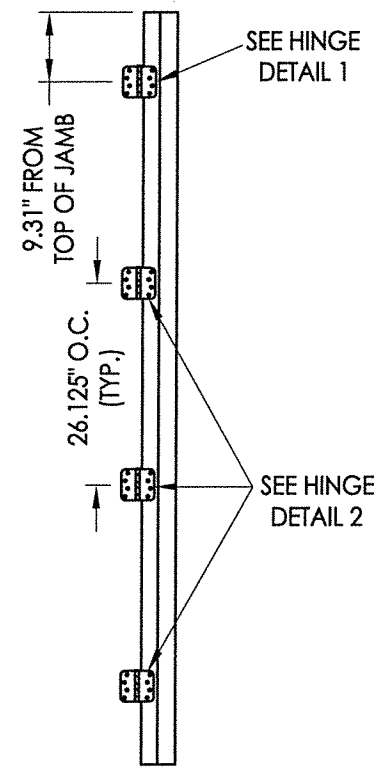
OXO
FRAME ANCHORING



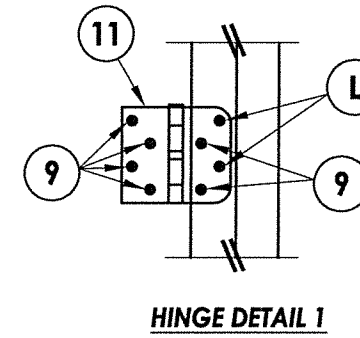
XO / OX



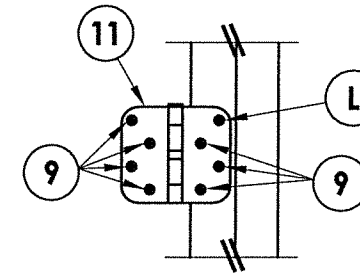
LATCH & DEADBOLT DETAILS



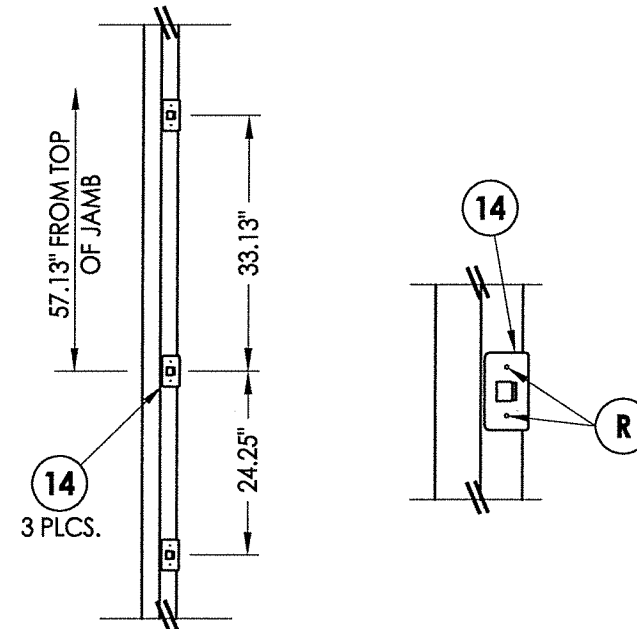
HINGE JAMB



HINGE DETAIL 1

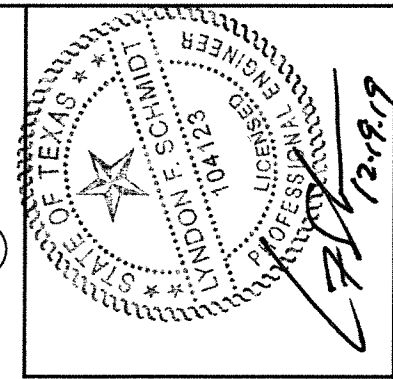


HINGE DETAIL 2



MULTI-POINT STRIKE DETAILS

HARDWARE DETAILS



Documents Prepared By: Lyndon F. Schmidt, P.E.
TEXAS P.E. #104123

RW BUILDING CONSULTANTS, INC.
P.O. Box 230 Valrico FL, 33595
Phone No.: 813.659.9197

TEXAS BOARD OF PROFESSIONAL ENGINEERS
CERTIFICATE OF REGISTRATION # F-11852

PRODUCT: WINCORE
FIBERGLASS ENTRY DOOR
"Impact"

PART OR ASSEMBLY:
FRAME ANCHORING
& HARDWARE DETAILS

NO.	DATE	BY	REVISIONS

DATE: 12/4/19

SCALE: N.T.S.

DWG. BY: RW

CHK. BY: LFS

DRAWING NO.:

TX-4966

SHEET 8 OF 9

R:\Clients\Wincore PERMANENT\B - Texas Dept of Ins\Doors\TDI XXX - GLIZ FG Door, Impact\C - Drawings\TX-4966.67-.dwg, 9.1

BILL OF MATERIALS

ITEM #	DESCRIPTION	MATERIAL
A	2X FRAMING (G >= 0.42)	WOOD
C	1/4" MAX. SHIM SPACE	-
D	1/4" PFH ELCO OR ITW CONCRETE SCREW (1-3/4" MIN. EMB.)	STEEL
F	#10 PFH WOOD SCREW (1-3/4" MIN. EMB.)	STEEL
J	#10 X 2" PFH WOOD SCREW	STEEL
L	#10 X 2-1/2" PFH WOOD SCREW (1.15" MIN. EMB.)	STEEL
R	#8 X 2-1/2" PFH WOOD SCREW	STEEL
1	POLY FIBER JAMB (4-9/16" OR 6-9/16")	COMP.
5	2X REINFORCEMENT (G >= 0.55)	WOOD
6	DOOR SWEEP	PVC
7	WEATHERSTRIP (ENDURA FORCE 5)	FOAM
9	#9 X 3/4" PFH WOOD SCREW	STEEL
11	4" X 4" HINGE (SQUARE OR RADIUS)	STEEL
12	LATCH STRIKE PLATE	STEEL
13	DEADBOLT STRIKE PLATE	STEEL
14	TRILENNIUM MULTI-POINT STRIKE PLATE	STEEL
20	INSWING THRESHOLD	ALUM/COMP
21	INSWING THRESHOLD w/ SIDELITE ADAPTER	ALUM/COMP
22	OUTSWING THRESHOLD	ALUM/COMP
23	OUTSWING THRESHOLD w/ SIDELITE ADAPTER	ALUM/COMP
24	ADA THRESHOLD	ALUM
25	OUTSWING THRESHOLD	ALUM/WOOD
26	INSWING THRESHOLD	ALUM/WOOD
27	INSWING THRESHOLD w/ SIDELITE ADAPTER	ALUM/WOOD
28	INSWING ADA THRESHOLD	ALUM
29	OUTSWING ADA THRESHOLD	ALUM
40	DOOR PANEL	-
50	SIDELITE PANEL	-

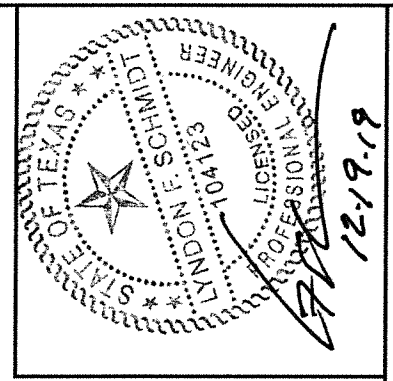
CONCRETE ANCHOR NOTES:

- Concrete anchor locations at the corners may be adjusted to maintain the min. edge distance to mortar joints.
- Concrete anchor locations noted as "MAX. ON CENTER" must be adjusted to maintain the min. edge distance to mortar joints, additional concrete anchors may be required to ensure the "MAX. ON CENTER" dimension are not exceeded.
- Concrete anchor table:

ANCHOR TYPE	ANCHOR SIZE	MIN. EMBEDMENT	MIN. CLEARANCE TO MASONRY EDGE	MIN. CLEARANCE TO ADJACENT ANCHOR
ITW BUILDEX TAPCON®	1/4"	1-1/4"	2"	4"
ELCO ULTRA CON®	1/4"	1-1/4"	1"	4"

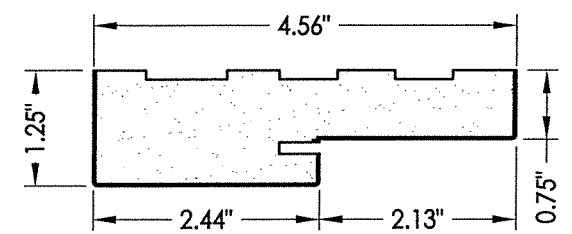
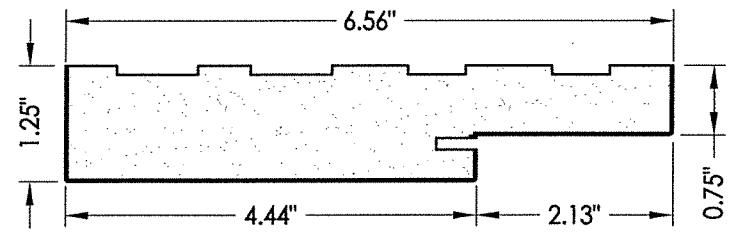
WOOD SCREW INSTALLATION NOTES:

- Maintain a minimum 5/8" edge distance, 1" end distance, & 1" o.c. spacing of wood screws to prevent the splitting of wood.

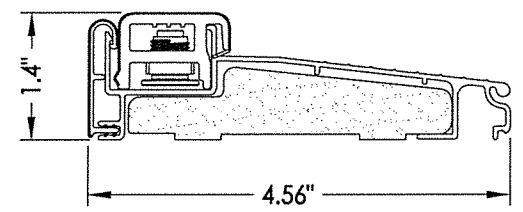


Documents Prepared By: Lyndon F. Schmidt, P.E.
TEXAS P.E. #104123

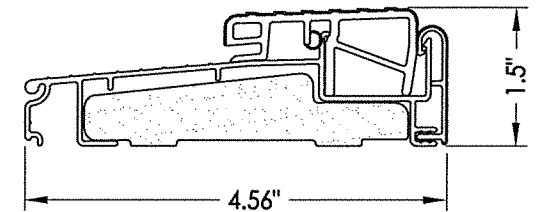
RW BUILDING CONSULTANTS, INC.
P.O. Box 230 Valrico FL 33595
Phone No.: 813.659.9197
TEXAS BOARD OF PROFESSIONAL ENGINEERS
CERTIFICATE OF REGISTRATION # F-11852



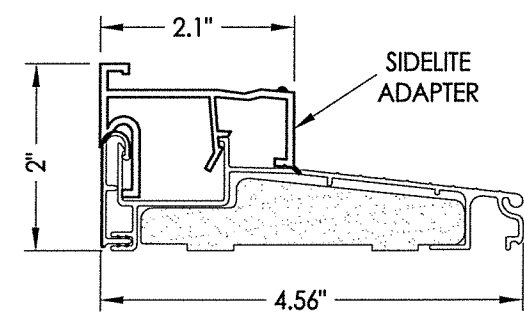
1 POLY FIBER JAMB



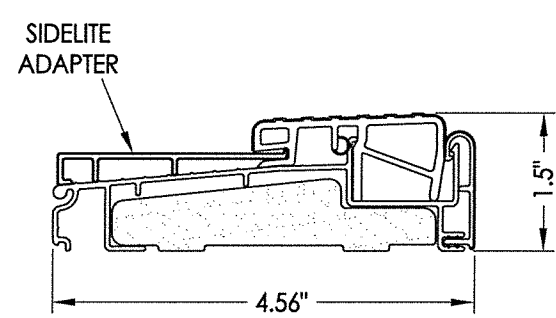
20 INSWING THRESHOLD
Endura (Z-Series)



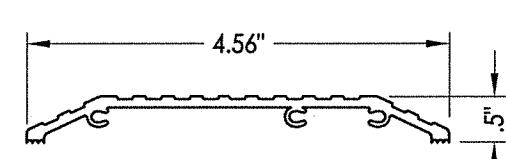
22 OUTSWING THRESHOLD
Endura (Z-Series)



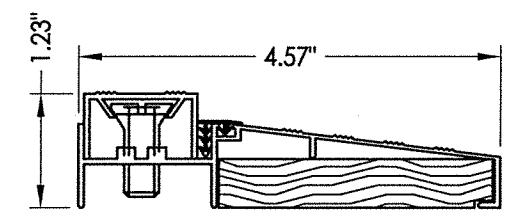
21 INSWING THRESHOLD w/ SIDELITE ADAPTER
Endura (Z-Series)



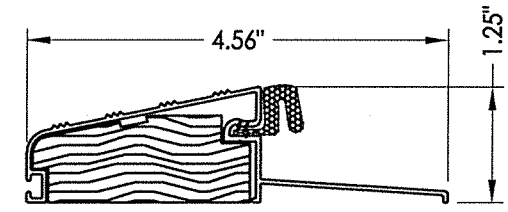
23 OUTSWING THRESHOLD w/ SIDELITE ADAPTER
Endura (Z-Series)



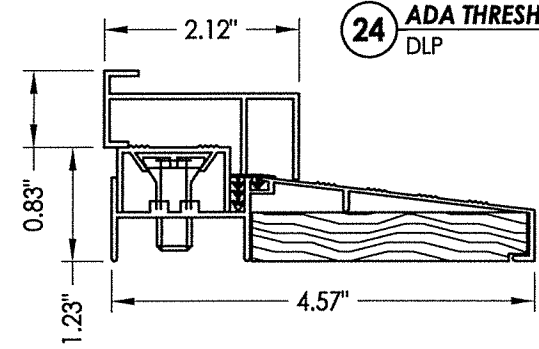
24 ADA THRESHOLD
DLP



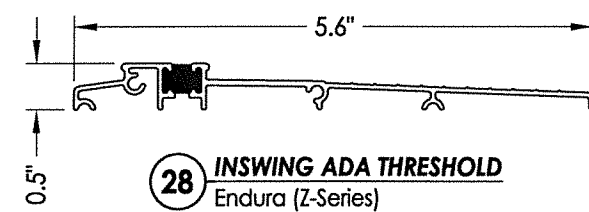
26 INSWING THRESHOLD
DLP



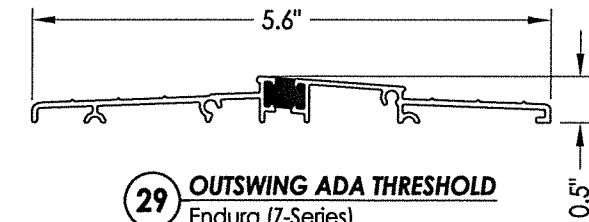
25 OUTSWING THRESHOLD
DLP



27 INSWING THRESHOLD w/ SIDELITE ADAPTER
DLP



28 INSWING ADA THRESHOLD
Endura (Z-Series)



29 OUTSWING ADA THRESHOLD
Endura (Z-Series)

PRODUCT:	WINCORE FIBERGLASS ENTRY DOOR "Impact"
PART OR ASSEMBLY:	BILL OF MATERIALS & COMPONENTS
NO.	DATE
BY	REVISIONS
DATE:	12/4/19
SCALE:	N.T.S.
DWG. BY:	RW
CHK. BY:	LFS
DRAWING NO.:	TX-4966
SHEET	9 OF 9