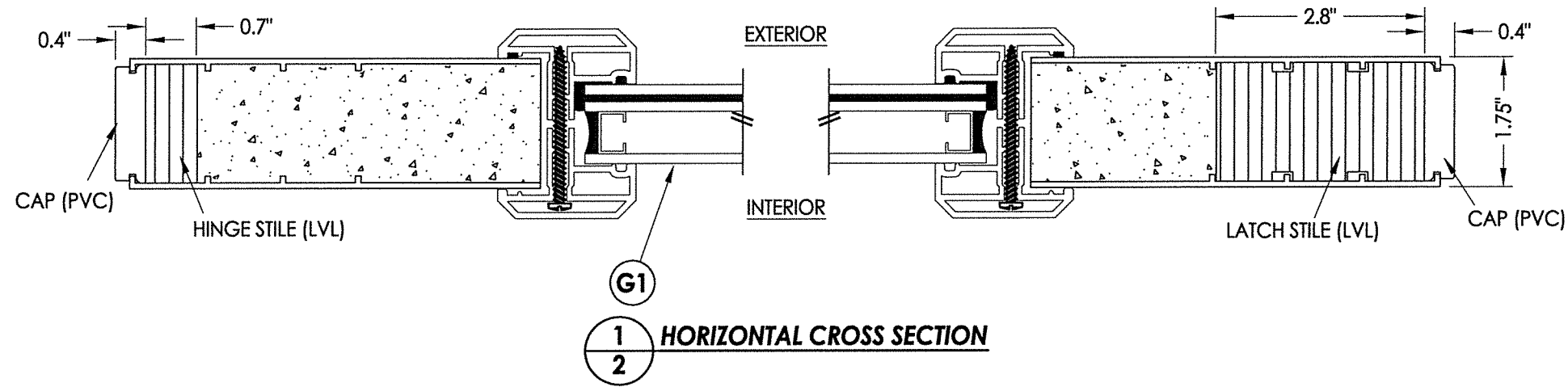
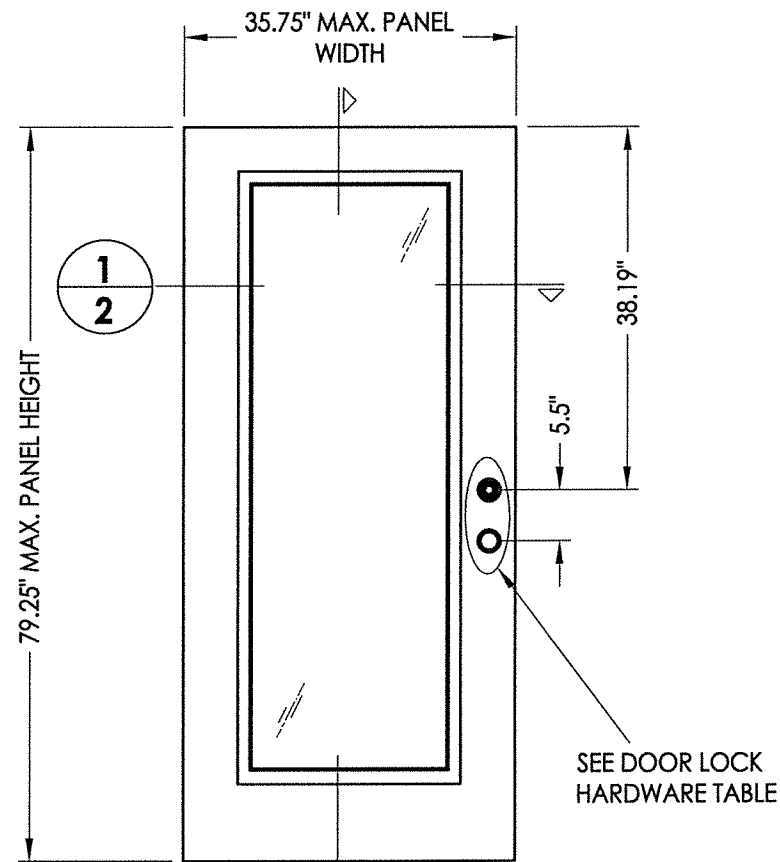


R:\Clients\Wincore PERMANENT\B - Texas Dept of Ins\Doors\TDI XXX - GLZ FG Door, Impact\C - Drawings\TX-4964.65.dwg, 2.1



1
2 HORIZONTAL CROSS SECTION

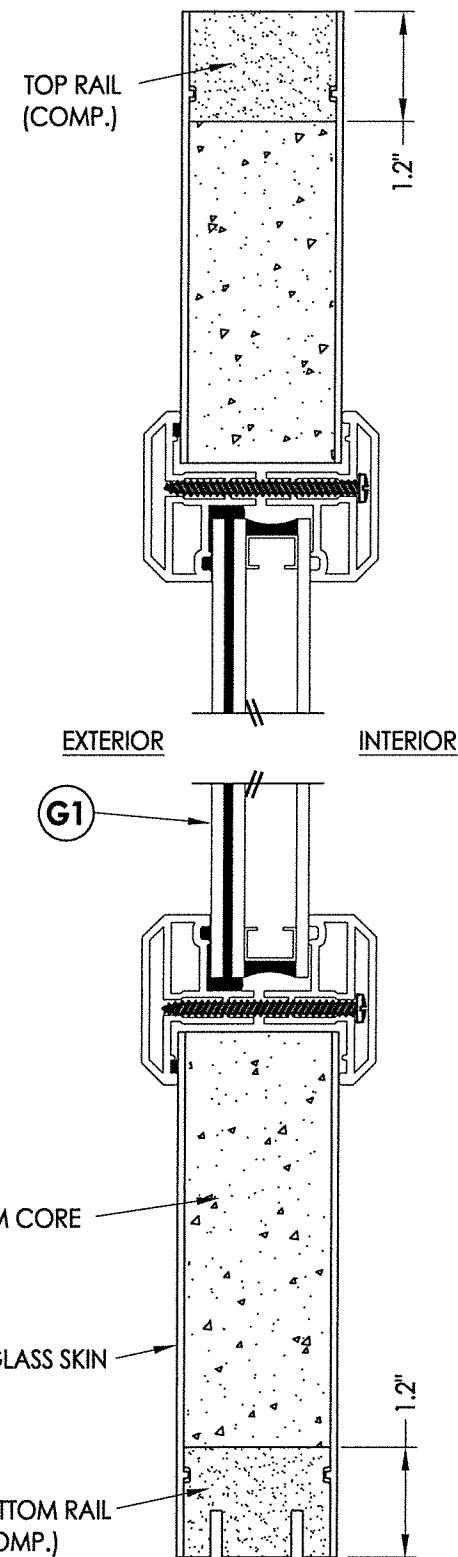


2
2

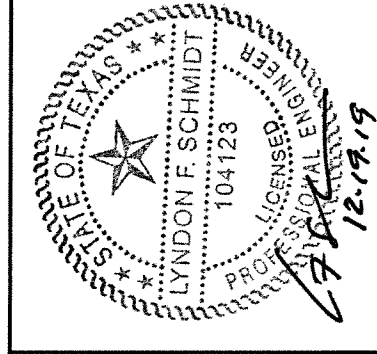
- 40** PLASTPRO DOOR PANEL
- 50** PLASTPRO SIDELITE PANEL

SEE DOOR LOCK HARDWARE TABLE

DOOR LOCK HARDWARE TABLE	
MANUFACTURER	MODEL
ENDURA	TRILENNIUM 3000 SERIES MULTI-POINT LOCK (3 pt.)
SCHLAGE	KNOB: "F" SERIES (F60) DEADBOLT: "B" SERIES (B60/62)
KWSIKSET	KNOB: SERIES (400) DEADBOLT: SERIES (660)



2
2 VERTICAL CROSS SECTION



Documents Prepared By: Lyndon F. Schmidt, P.E.
TEXAS P.E. #104123

RW BUILDING CONSULTANTS, INC.
P.O. Box 230 Valrico FL 33595
Phone No.: 813.659.9197

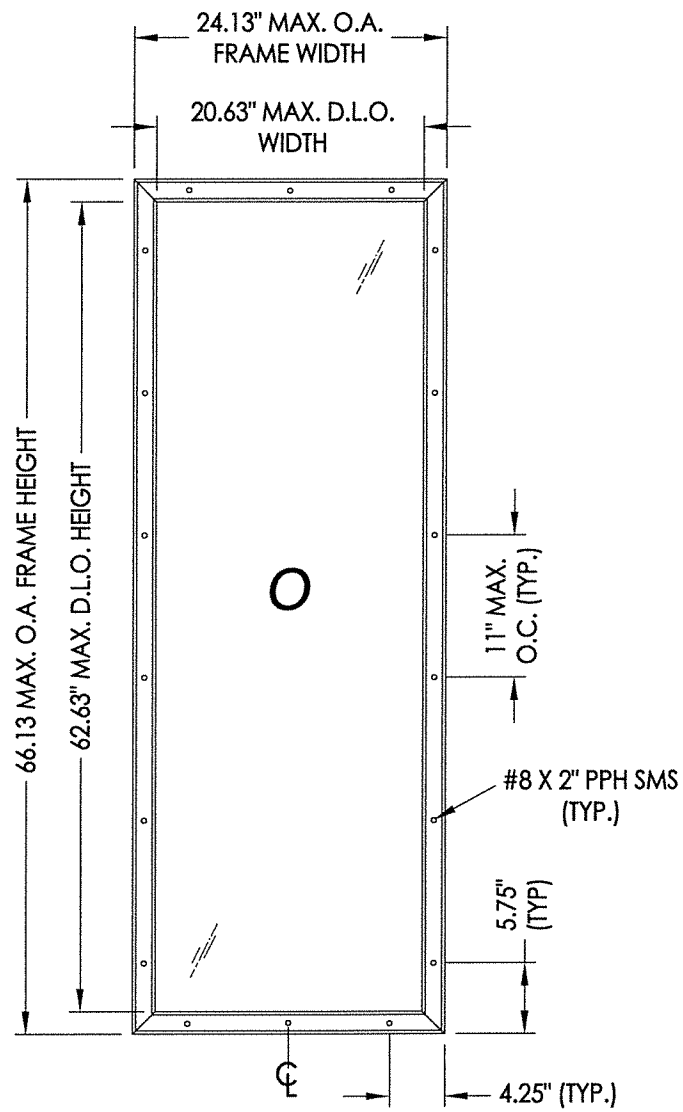
TEXAS BOARD OF PROFESSIONAL ENGINEERS
CERTIFICATE OF REGISTRATION # F-11852

PRODUCT: WINCORE
FIBERGLASS ENTRY DOOR
"Impact"

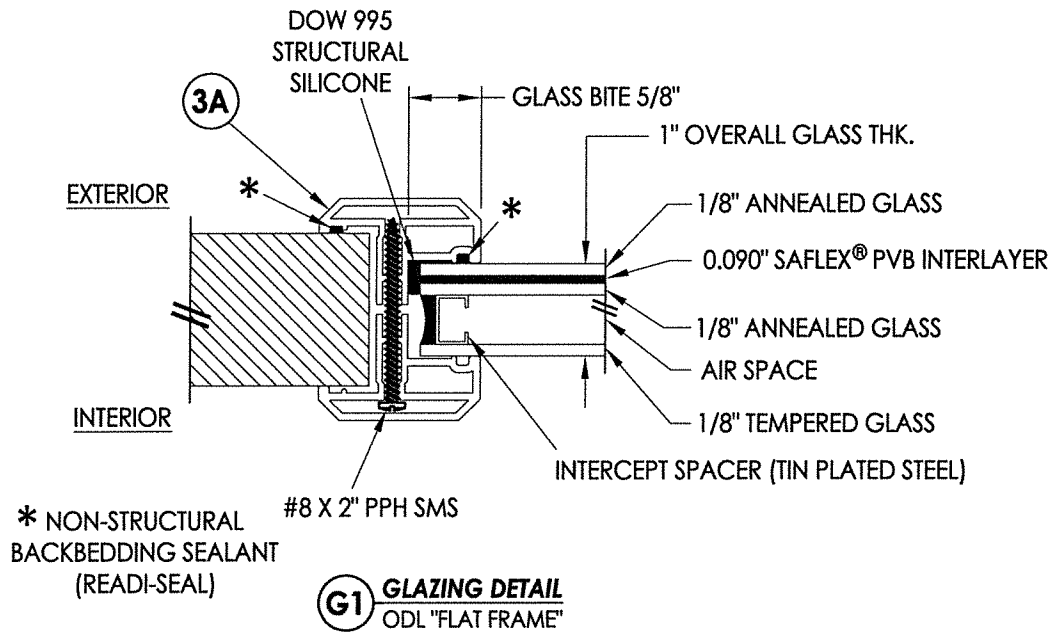
PART OR ASSEMBLY:
DOOR & SIDELITE
PANEL DETAILS

NO.	DATE	BY

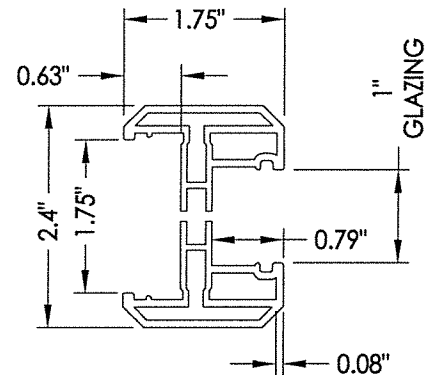
DATE: 12/4/19
SCALE: N.T.S.
DWG. BY: RW
CHK. BY: LFS
DRAWING NO.: TX-4964
SHEET 2 OF 9



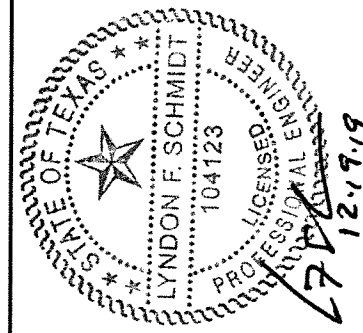
ODL LITE FRAME DETAIL
"FLAT FRAME" PROFILE



G1 GLAZING DETAIL
ODL "FLAT FRAME"



3A ODL LITE FRAME
"FLAT FRAME" PROFILE
(6063-T5 ALUM)



Documents Prepared By: Lyndon F. Schmidt, P.E.
TEXAS P.E. #104123

RW BUILDING CONSULTANTS, INC.
P.O. Box 230 Valrico FL 33595
Phone No.: 813.659.9197

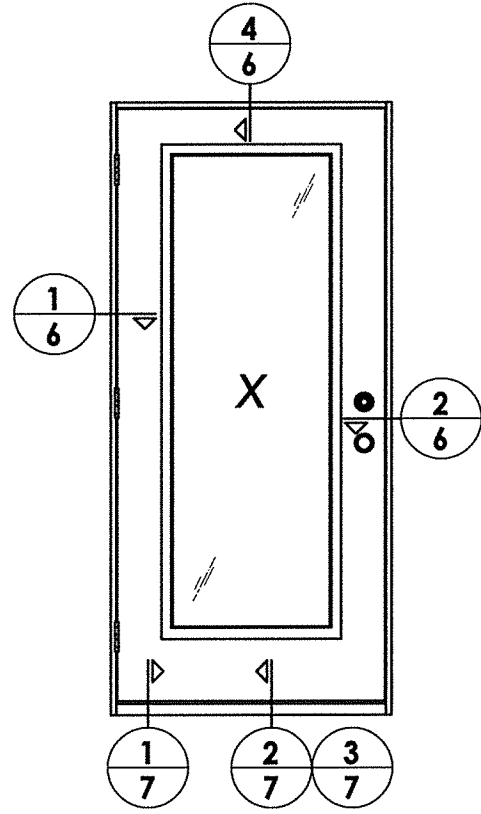
TEXAS BOARD OF PROFESSIONAL ENGINEERS
CERTIFICATE OF REGISTRATION # F-11852

PRODUCT: WINCORE
FIBERGLASS ENTRY DOOR
"Impact"

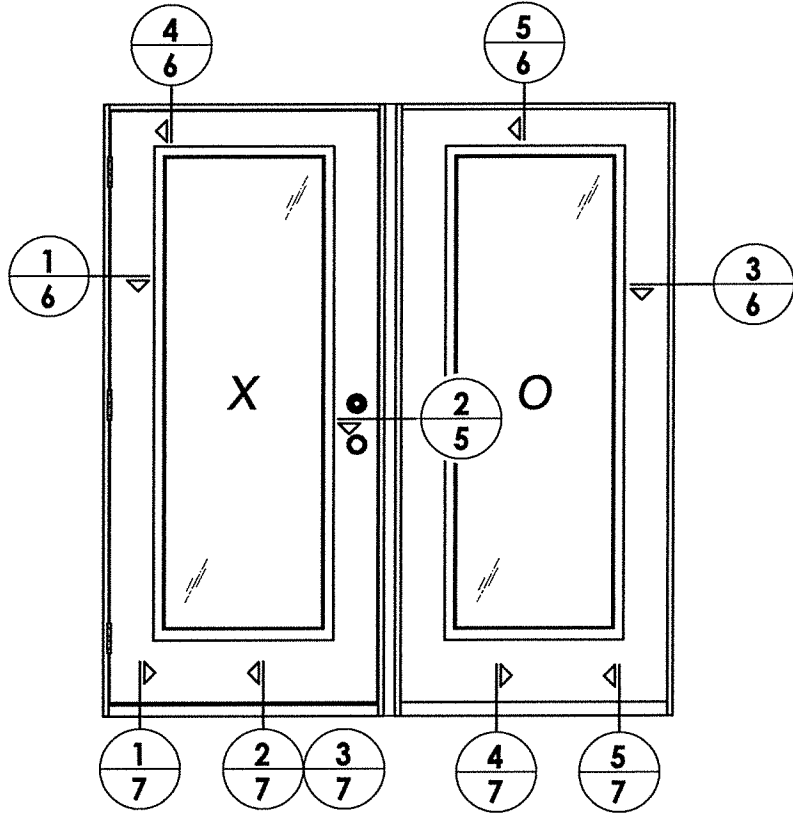
PART OR ASSEMBLY:
LITE FRAME
GLAZING DETAILS

NO.	DATE	BY	REVISIONS

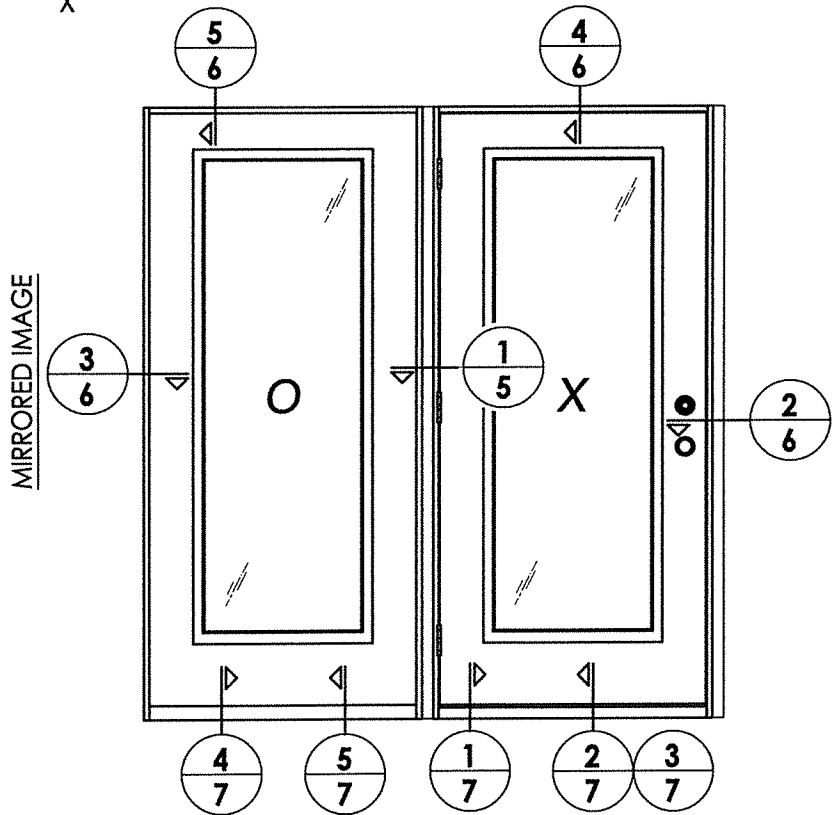
DATE: 12/4/19
SCALE: N.T.S.
DWG. BY: RW
CHK. BY: LFS
DRAWING NO.: TX-4964
SHEET 3 OF 9



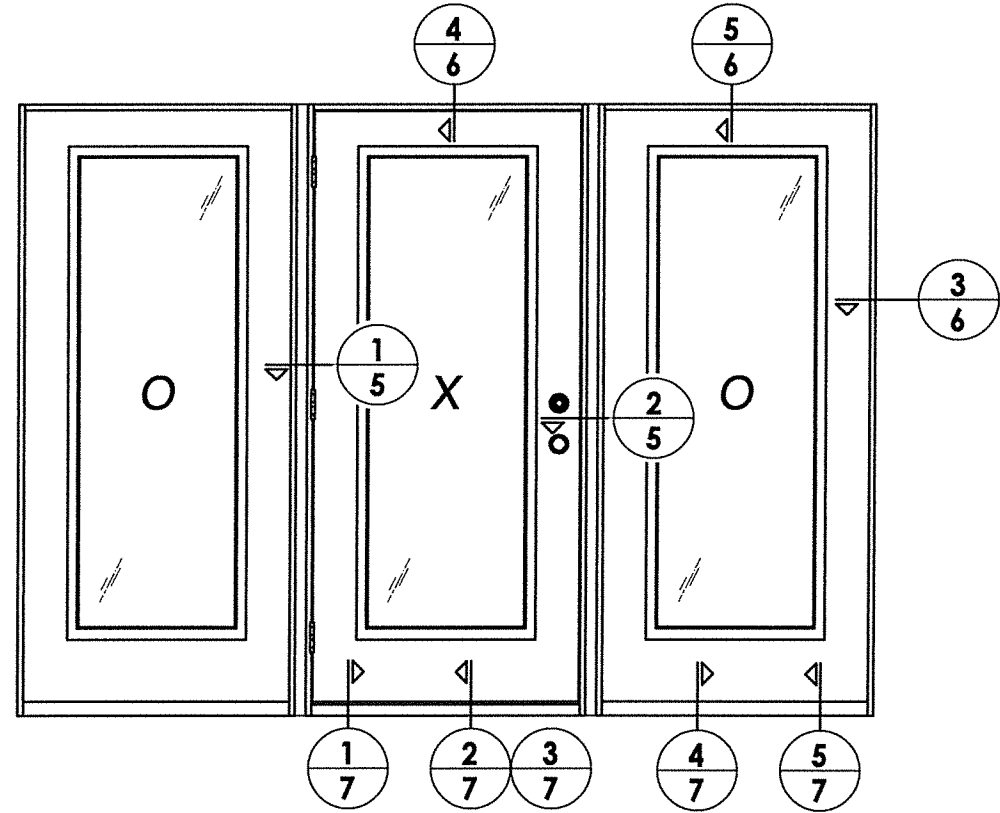
ELEVATION
X



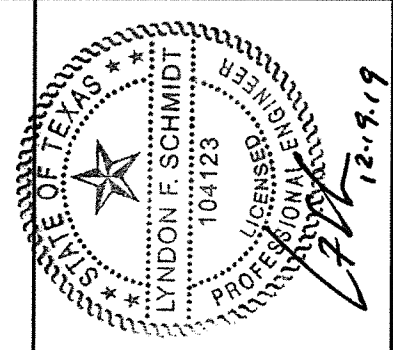
ELEVATION
XO/OX



ELEVATION
OX
(CENTER HINGED)



ELEVATION
OXO



Documents Prepared By: Lyndon F. Schmidt, P.E.
TEXAS P.E. #104123

RW BUILDING CONSULTANTS, INC.
P.O. Box 230 Valrico FL 33595
Phone No.: 813.659.9197

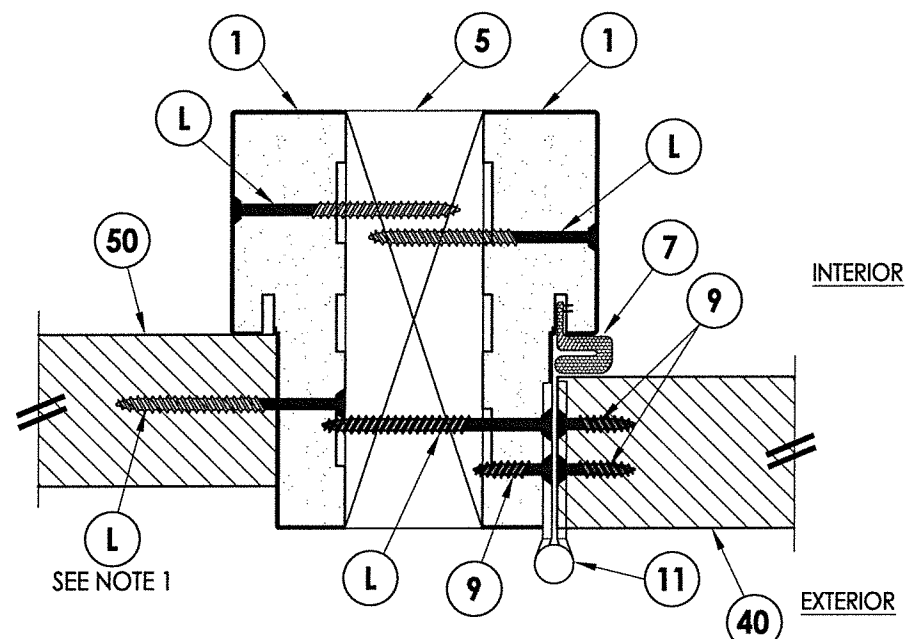
TEXAS BOARD OF PROFESSIONAL ENGINEERS
CERTIFICATE OF REGISTRATION # F-11852

PRODUCT: WINCORE
FIBERGLASS ENTRY DOOR
"Impact"

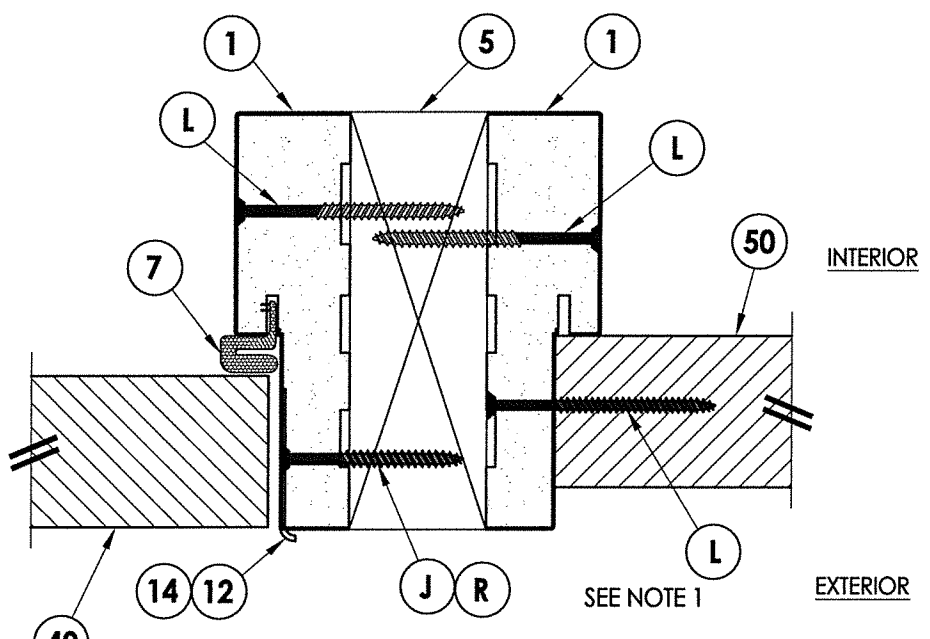
PART OR ASSEMBLY:
ELEVATIONS

NO.	DATE	BY	REVISIONS

DATE: 12/4/19
SCALE: N.T.S.
DWG. BY: RW
CHK. BY: LFS
DRAWING NO.: TX-4964
SHEET 4 OF 9

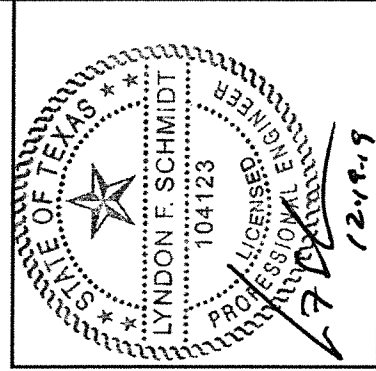


1 HORIZONTAL CROSS SECTION
5 Outswing shown (Inswing similar)
 2X Jamb Reinforcement



2 HORIZONTAL CROSS SECTION
5 Outswing shown (Inswing similar)
 2X Jamb Reinforcement

NOTE:
 1. Spacing for item L: 6" from each end and 3 more
 equally spaced along sidelite jamb (5 total).



Documents Prepared By: Lyndon F. Schmidt, P.E.
 TEXAS P.E. #104123

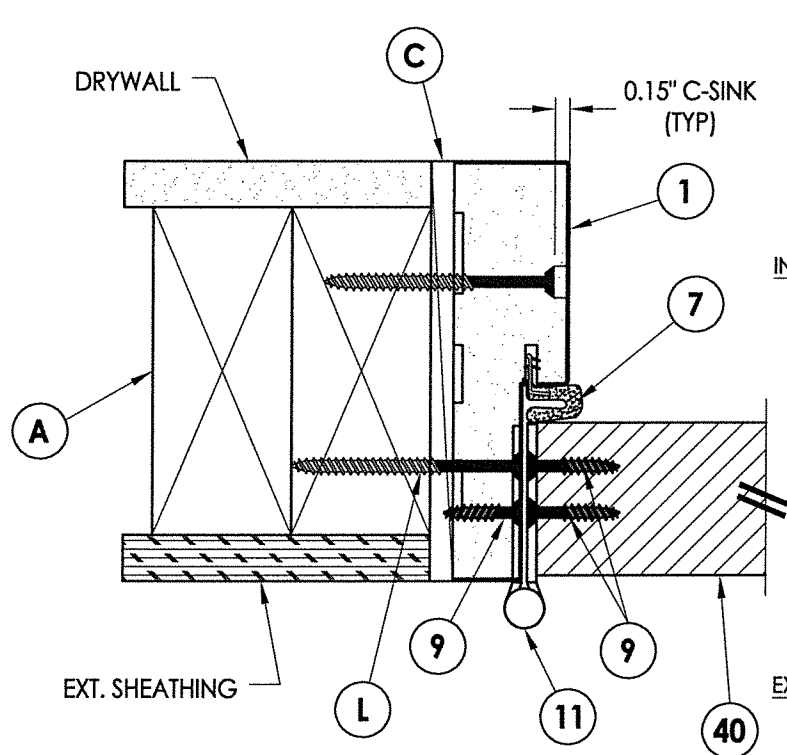
RW BUILDING CONSULTANTS, INC.
 P.O. Box 230 Valrico FL, 33595
 Phone No.: 813.659.9197

TEXAS BOARD OF PROFESSIONAL ENGINEERS
 CERTIFICATE OF REGISTRATION # F-11852

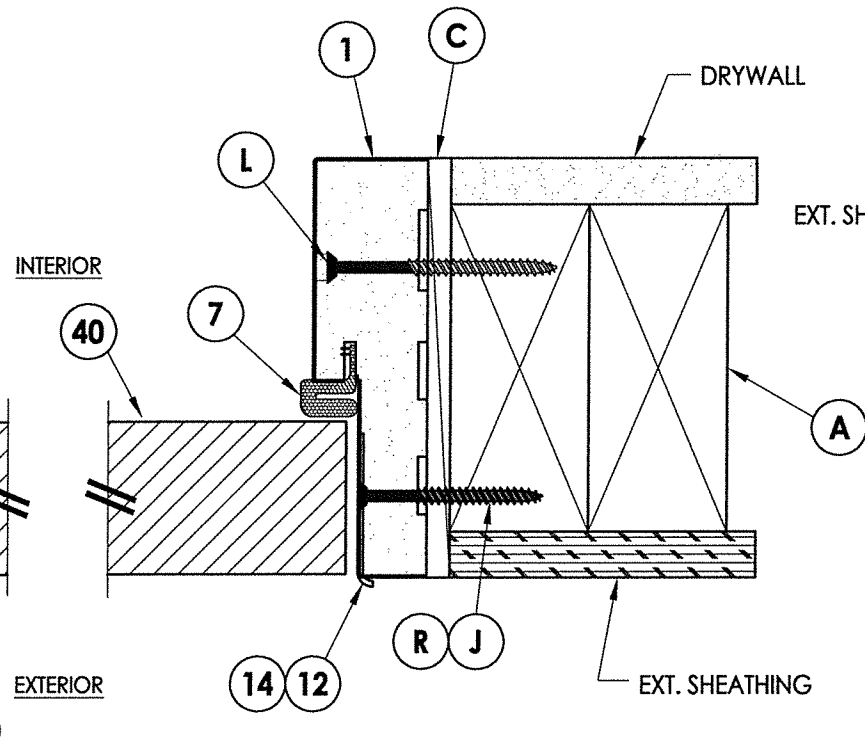
PRODUCT:	WINCORE FIBERGLASS ENTRY DOOR "Impact"		
PART OR ASSEMBLY:	HORIZONTAL CROSS SECTIONS		
NO.	DATE	BY	REVISIONS

DATE:	12/4/19
SCALE:	N.T.S.
DWG. BY:	RW
CHK. BY:	LFS
DRAWING NO.:	TX-4964
SHEET	<u>5</u> OF <u>9</u>

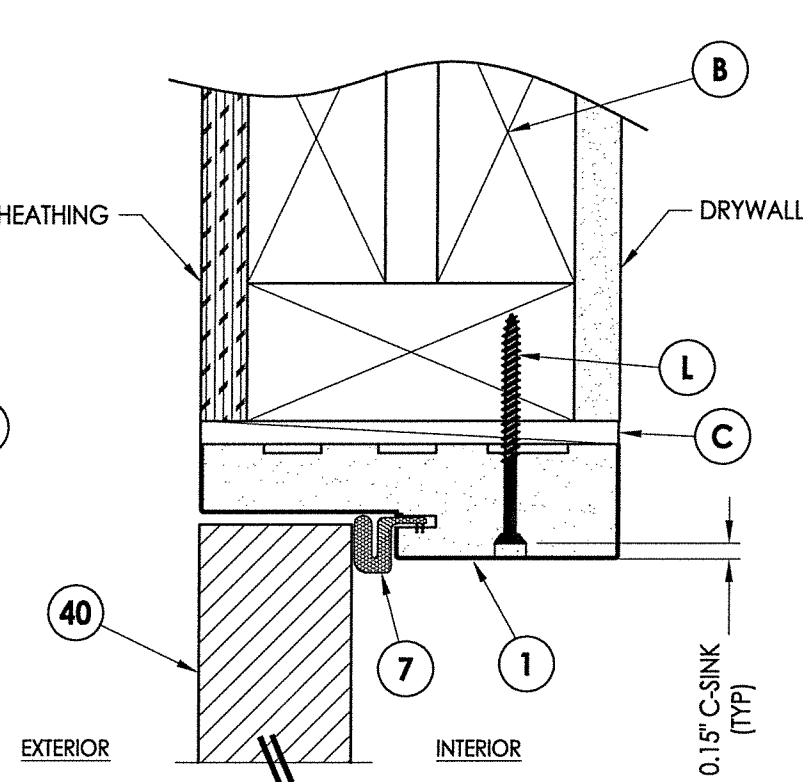
R:\Clients\Wincore PERMANENT\B - Texas Dept of Ins\Doors\TDI XXX - GLZ FG Door, Impact\C - Drawings\TX-4964.65.dwg, 6:1



1
6 **HORIZONTAL CROSS SECTION**
Outswing shown (Inswing similar)



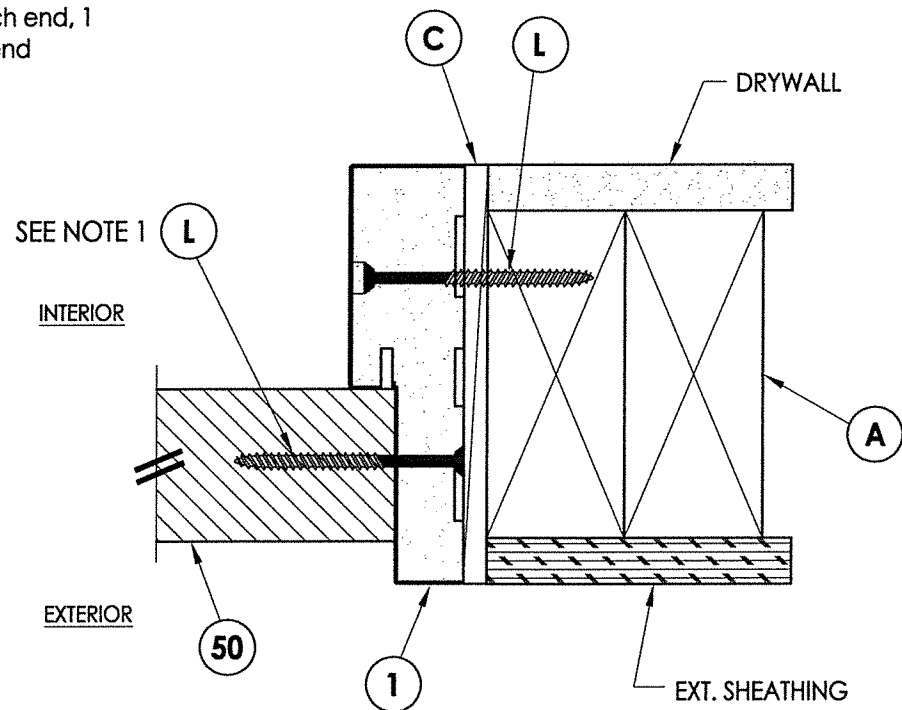
2
6 **HORIZONTAL CROSS SECTION**
Outswing shown (Inswing similar)



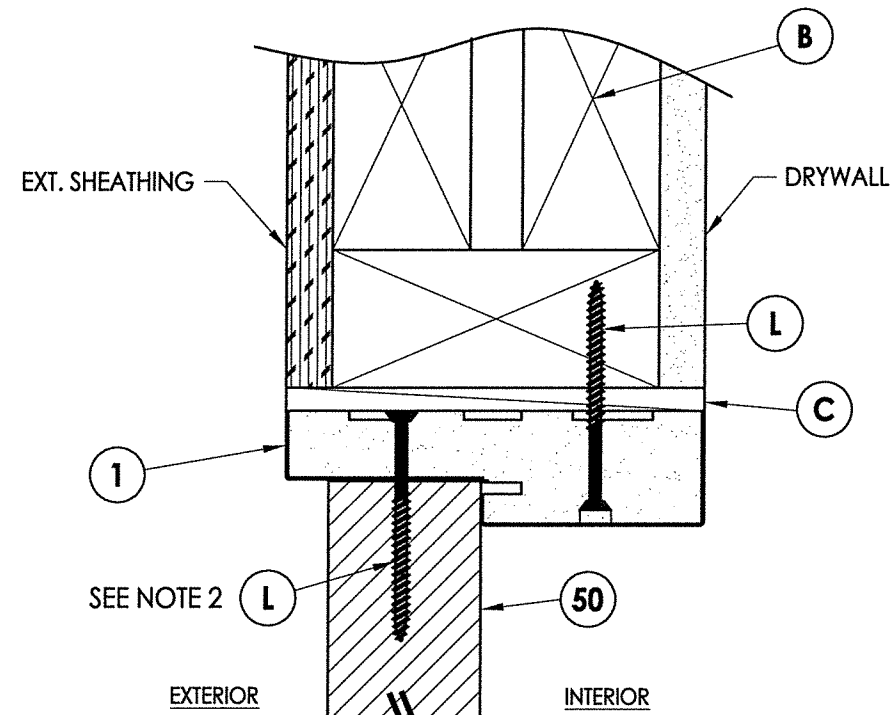
4
6 **VERTICAL CROSS SECTION**
Outswing shown (Inswing similar)

NOTES:

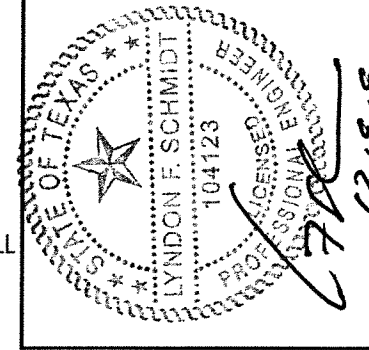
1. Spacing for item L: 6" from each end and 3 more equally spaced along sidelite jamb (5 total).
2. Spacing for item L @ head & sill: 6" from each end, 1 @ centerline, 2 additional at 3" & 4.5" from end adjacent to door.



3
6 **HORIZONTAL CROSS SECTION**
Outswing shown (Inswing similar)



5
6 **VERTICAL CROSS SECTION**
Outswing shown (Inswing similar)



Documents Prepared By: Lyndon F. Schmidt, P.E.
TEXAS P.E. #104123

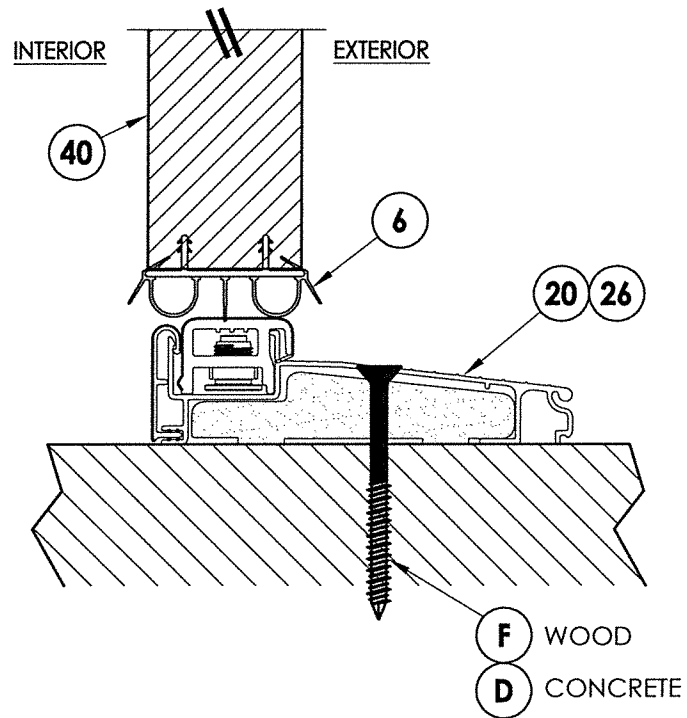
RW BUILDING CONSULTANTS, INC.
P.O. Box 230 Valrico FL 33595
Phone No.: 813.659.9197
TEXAS BOARD OF PROFESSIONAL ENGINEERS
CERTIFICATE OF REGISTRATION # F-11852

PRODUCT: WINCORE
FIBERGLASS ENTRY DOOR
"Impact"
PART OR ASSEMBLY:
HORIZONTAL & VERTICAL
CROSS SECTIONS

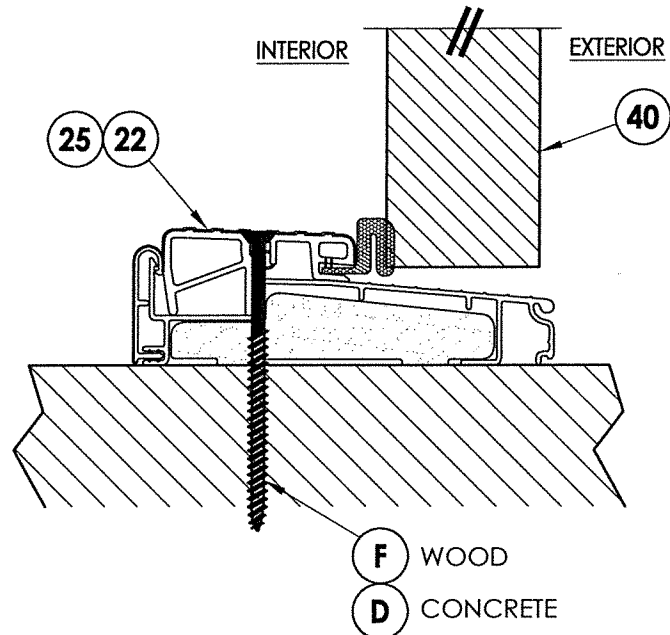
NO.	DATE	BY

DATE: 12/4/19
SCALE: N.T.S.
DWG. BY: RW
CHK. BY: LFS
DRAWING NO.: TX-4964
SHEET 6 OF 9

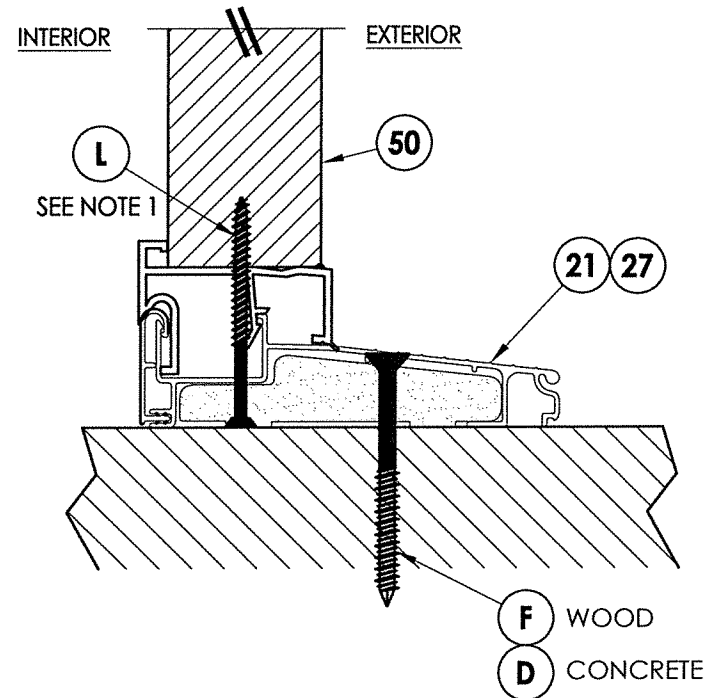
R:\Clients\Wincore PERMANENT\B - Texas Dept of Ins\Doors\TDI XXX - GLZ FG Door, Impact\C - Drawings\TX-4964.65.dwg, 7.1



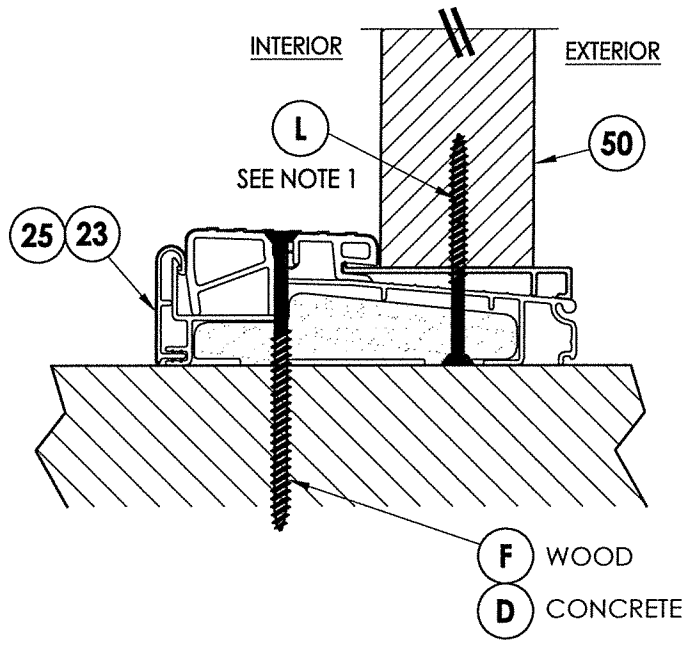
1 VERTICAL CROSS SECTION
7 Inswing sill



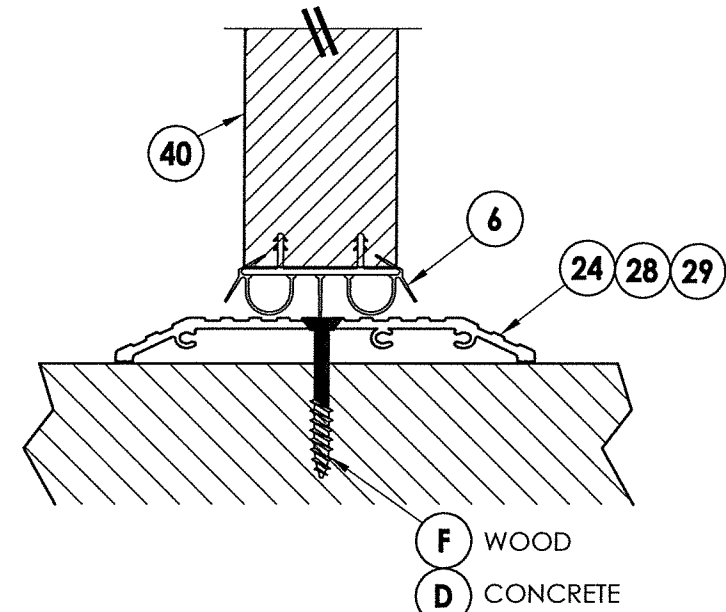
2 VERTICAL CROSS SECTION
7 Outswing sill



4 VERTICAL CROSS SECTION
7 Inswing sill

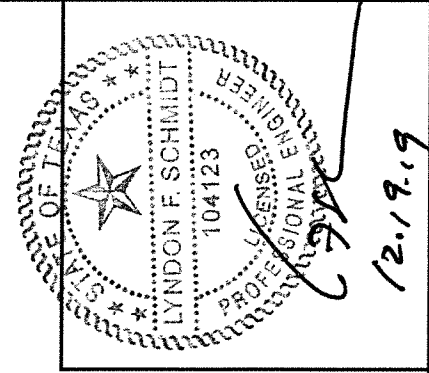


5 VERTICAL CROSS SECTION
7 Inswing sill



3 VERTICAL CROSS SECTION
7 ADA Sill

NOTE:
1. Spacing for item L @ head & sill: 6" from each end,
1 @ centerline, 2 additional at 3" & 4.5" from end
adjacent to door.



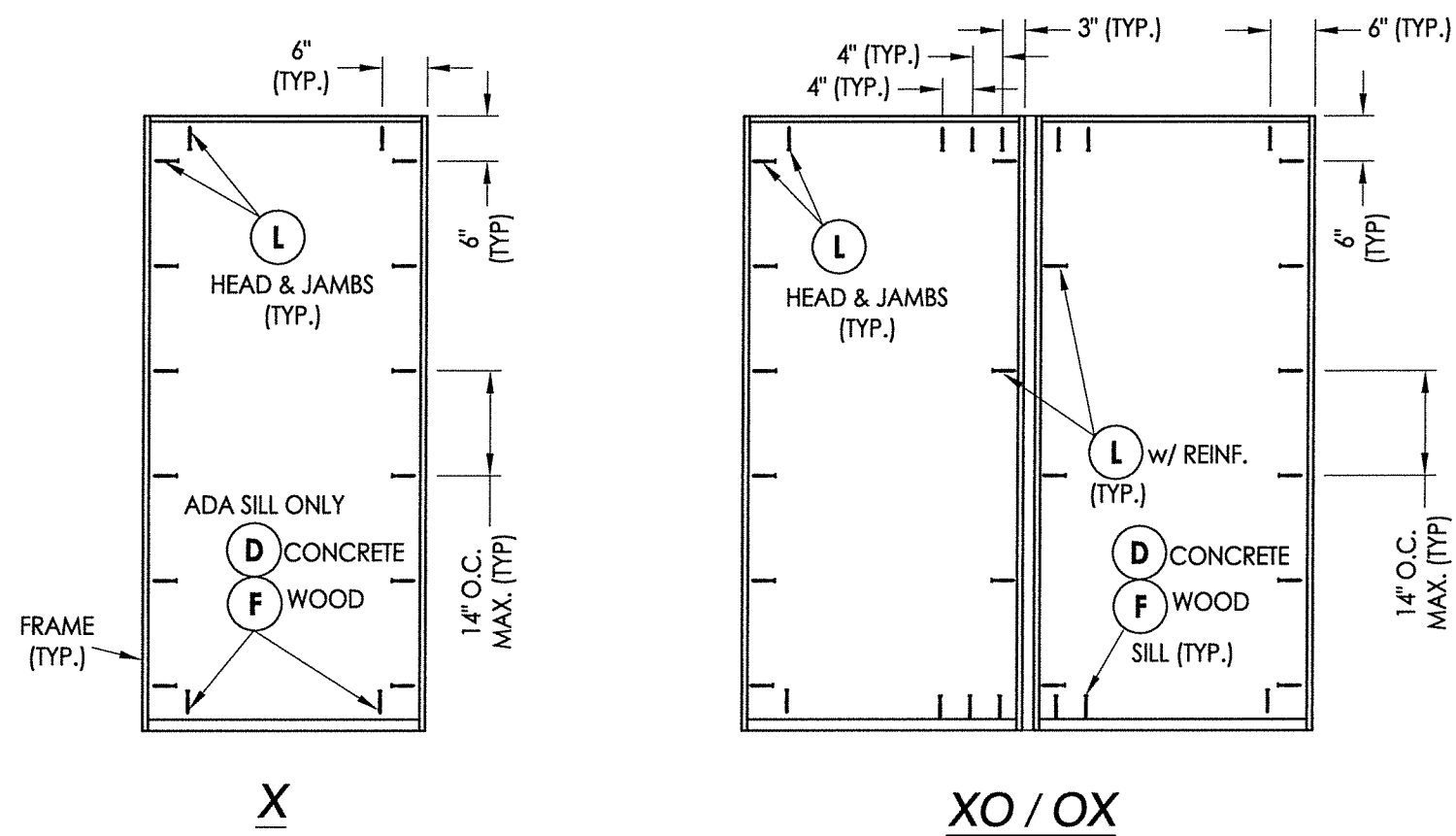
Documents Prepared By: Lyndon F. Schmidt, P.E.
TEXAS P.E. #104123

RW BUILDING CONSULTANTS, INC.
P.O. Box 230 Valrico FL, 33595
Phone No.: 813.659.9197

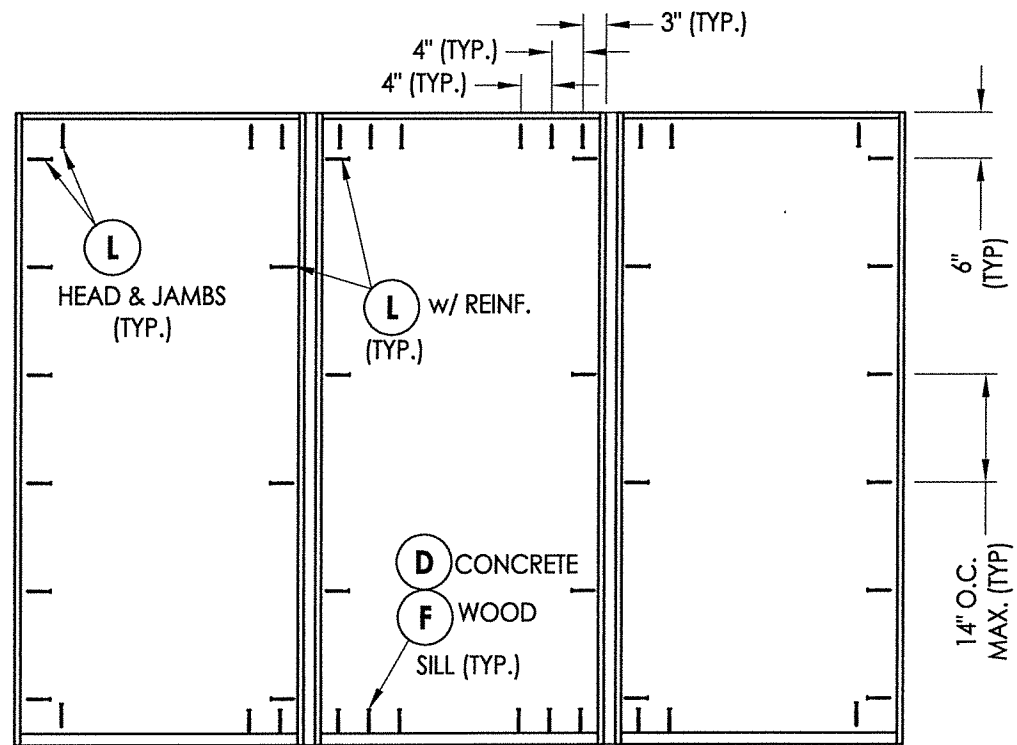
TEXAS BOARD OF PROFESSIONAL ENGINEERS
CERTIFICATE OF REGISTRATION # F-11852

<p>PRODUCT: WINCORE FIBERGLASS ENTRY DOOR "Impact"</p> <p>PART OR ASSEMBLY: VERTICAL CROSS SECTIONS</p>	<table border="1" style="width: 100%; border-collapse: collapse;"> <thead> <tr> <th style="width: 10%;">NO.</th> <th style="width: 10%;">DATE</th> <th style="width: 10%;">BY</th> <th style="width: 10%;">REVISIONS</th> </tr> </thead> <tbody> <tr><td> </td><td> </td><td> </td><td> </td></tr> <tr><td> </td><td> </td><td> </td><td> </td></tr> <tr><td> </td><td> </td><td> </td><td> </td></tr> <tr><td> </td><td> </td><td> </td><td> </td></tr> <tr><td> </td><td> </td><td> </td><td> </td></tr> </tbody> </table>	NO.	DATE	BY	REVISIONS																				
NO.	DATE	BY	REVISIONS																						
DATE: 12/4/19																									
SCALE: N.T.S.																									
DWG. BY: RW																									
CHK. BY: LFS																									
DRAWING NO.: TX-4964																									
SHEET 7 OF 9																									

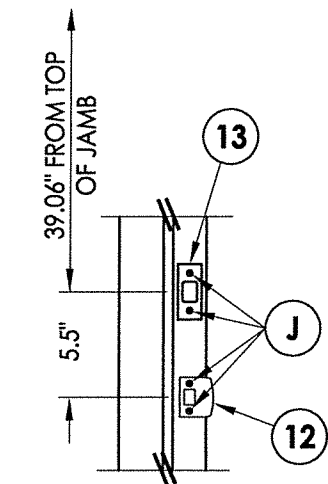
R:\Clients\Wincore PERMANENT\B - Texas Dept of Ins\Doors\TDI XXX - GLZ FG Door, Impact\C - Drawings\TX-4964.65.dwg, 8.1



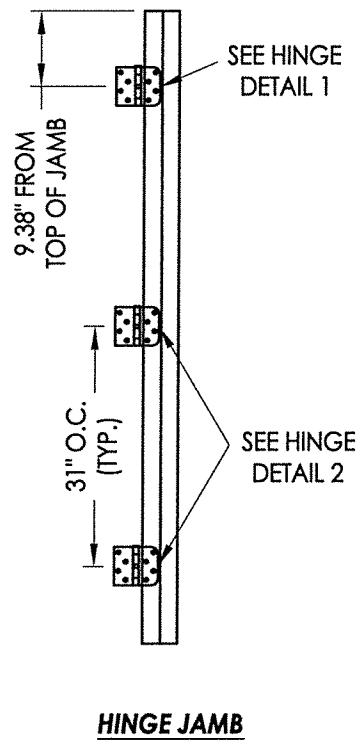
X
XO / OX
FRAME ANCHORING



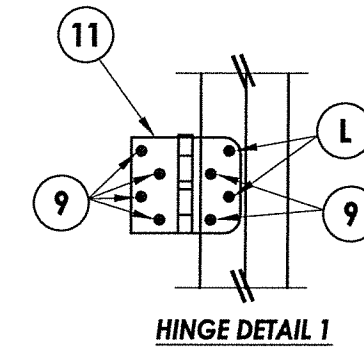
OXO
LATCH & DEADBOLT DETAILS



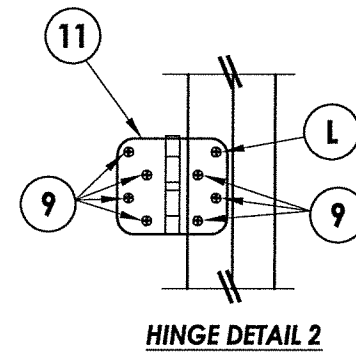
HARDWARE DETAILS



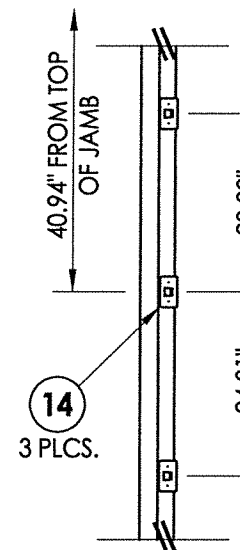
HINGE JAMB



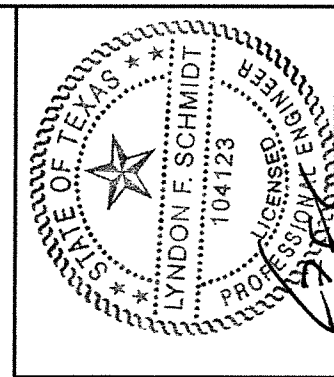
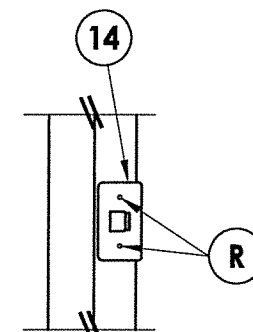
HINGE DETAIL 1



HINGE DETAIL 2



MULTI-POINT STRIKE DETAILS



Documents Prepared By: Lyndon F. Schmidt, P.E.
TEXAS P.E. #104123

R.W. BUILDING CONSULTANTS, INC.
P.O. Box 230 Vairico FL 33595
Phone No.: 813.659.9197

TEXAS BOARD OF PROFESSIONAL ENGINEERS
CERTIFICATE OF REGISTRATION # F-11852

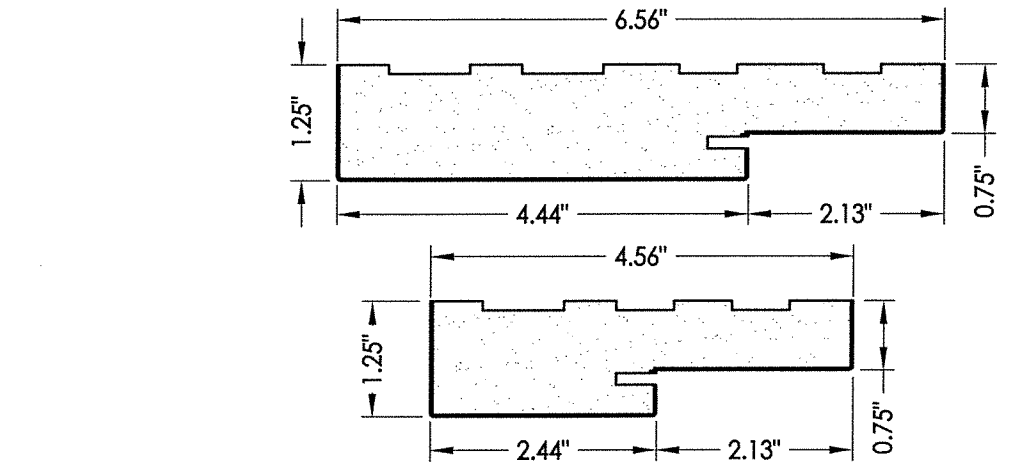
PRODUCT: WINCORE
FIBERGLASS ENTRY DOOR
"Impact"

PART OR ASSEMBLY:
FRAME ANCHORING
& HARDWARE DETAILS

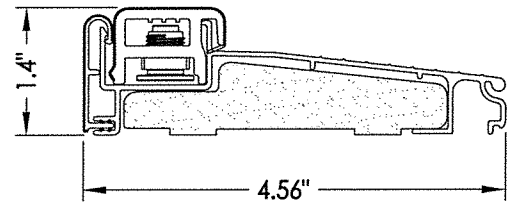
NO.	DATE	BY
REVISIONS		

DATE: 12/4/19
SCALE: N.T.S.
DWG. BY: RW
CHK. BY: LFS
DRAWING NO.: TX-4964
SHEET 8 OF 9

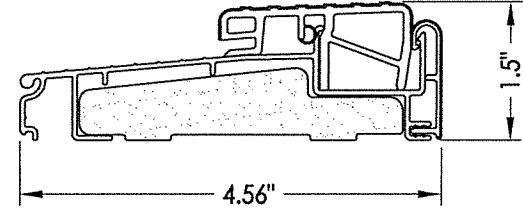
BILL OF MATERIALS		
ITEM #	DESCRIPTION	MATERIAL
A	2X FRAMING (G >= 0.42)	WOOD
C	1/4" MAX. SHIM SPACE	-
D	1/4" PFH ELCO OR ITW CONCRETE SCREW (1-3/4" MIN. EMB.)	STEEL
F	#10 PFH WOOD SCREW (1-3/4" MIN. EMB.)	STEEL
J	#10 X 2" PFH WOOD SCREW	STEEL
L	#10 X 2-1/2" PFH WOOD SCREW (1.15" MIN. EMB.)	STEEL
R	#8 X 2-1/2" PFH WOOD SCREW	STEEL
1	POLY FIBER JAMB (4-9/16" OR 6-9/16")	COMP.
5	2X REINFORCEMENT (G >= 0.55)	WOOD
6	DOOR SWEEP	PVC
7	WEATHERSTRIP (ENDURA FORCE 5)	FOAM
9	#9 X 3/4" PFH WOOD SCREW	STEEL
11	4" X 4" HINGE (SQUARE OR RADIUS)	STEEL
12	LATCH STRIKE PLATE	STEEL
13	DEADBOLT STRIKE PLATE	STEEL
14	TRILENNIUM MULTI-POINT STRIKE PLATE	STEEL
20	INSWING THRESHOLD	ALUM/COMP
21	INSWING THRESHOLD w/ SIDELITE ADAPTER	ALUM/COMP
22	OUTSWING THRESHOLD	ALUM/COMP
23	OUTSWING THRESHOLD w/ SIDELITE ADAPTER	ALUM/COMP
24	ADA THRESHOLD	ALUM
25	OUTSWING THRESHOLD	ALUM/WOOD
26	INSWING THRESHOLD	ALUM/WOOD
27	INSWING THRESHOLD w/ SIDELITE ADAPTER	ALUM/WOOD
28	INSWING ADA THRESHOLD	ALUM
29	OUTSWING ADA THRESHOLD	ALUM
40	DOOR PANEL	-
50	SIDELITE PANEL	-



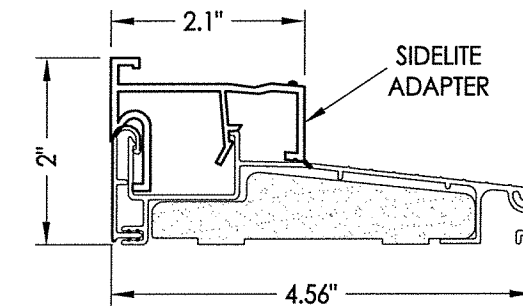
1 POLY FIBER JAMB



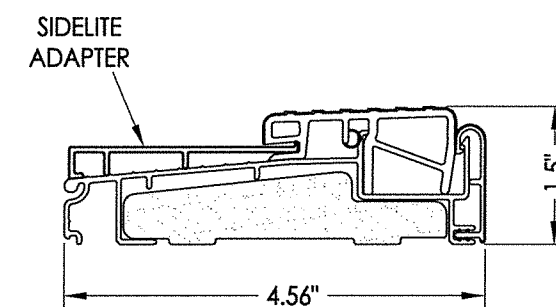
20 INSWING THRESHOLD
Endura (Z-Series)



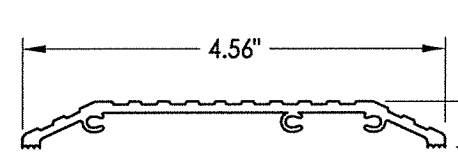
22 OUTSWING THRESHOLD
Endura (Z-Series)



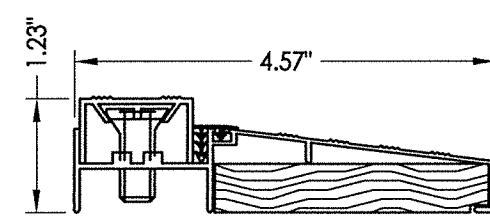
21 INSWING THRESHOLD w/ SIDELITE ADAPTER
Endura (Z-Series)



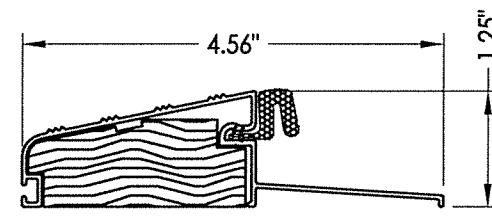
23 OUTSWING THRESHOLD w/ SIDELITE ADAPTER
Endura (Z-Series)



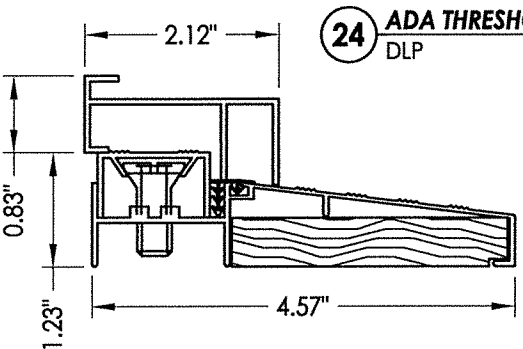
24 ADA THRESHOLD
DLP



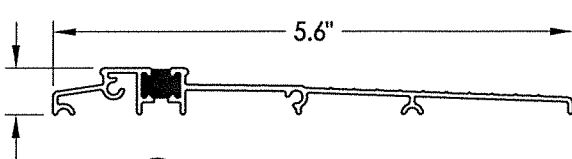
26 INSWING THRESHOLD
DLP



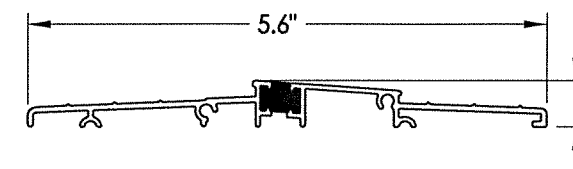
25 OUTSWING THRESHOLD
DLP



27 INSWING THRESHOLD w/ SIDELITE ADAPTER
DLP



28 INSWING ADA THRESHOLD
Endura (Z-Series)



29 OUTSWING ADA THRESHOLD
Endura (Z-Series)

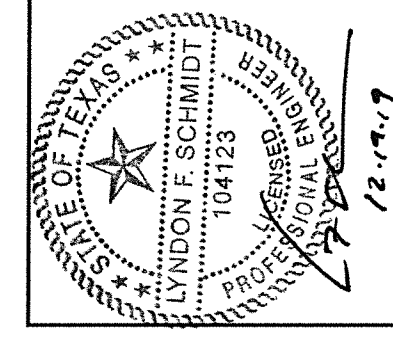
CONCRETE ANCHOR NOTES:

1. Concrete anchor locations at the corners may be adjusted to maintain the min. edge distance to mortar joints.
2. Concrete anchor locations noted as "MAX. ON CENTER" must be adjusted to maintain the min. edge distance to mortar joints, additional concrete anchors may be required to ensure the "MAX. ON CENTER" dimension are not exceeded.
3. Concrete anchor table:

ANCHOR TYPE	ANCHOR SIZE	MIN. EMBEDMENT	MIN. CLEARANCE TO MASONRY EDGE	MIN. CLEARANCE TO ADJACENT ANCHOR
ITW BUILDEX TAPCON®	1/4"	1-1/4"	2"	4"
ELCO ULTRACON®	1/4"	1-1/4"	1"	4"

WOOD SCREW INSTALLATION NOTES:

1. Maintain a minimum 5/8" edge distance, 1" end distance, & 1" o.c. spacing of wood screws to prevent the splitting of wood.



Documents Prepared By: Lyndon F. Schmidt, P.E.
TEXAS P.E. #104123

RW BUILDING CONSULTANTS, INC.
P.O. Box 230 Valrico FL 33595
Phone No.: 813.659.9197

TEXAS BOARD OF PROFESSIONAL ENGINEERS
CERTIFICATE OF REGISTRATION # F-11852

PRODUCT: WINCORE
FIBERGLASS ENTRY DOOR
"Impact"

PART OR ASSEMBLY:
BILL OF MATERIALS
& COMPONENTS

NO.	DATE	BY

DATE: 12/4/19

SCALE: N.T.S.

DWG. BY: RW

CHK. BY: LFS

DRAWING NO.: TX-4964

SHEET 9 OF 9