

REVISIONS			
REV	DESCRIPTION	DATE	APPROVED

NOTES:

1. THE PRODUCT SHOWN HEREIN IS DESIGNED AND MANUFACTURED TO COMPLY WITH REQUIREMENTS OF THE 2006 IBC AND THE 2006 IRC WITH STATE OF TEXAS MODIFICATIONS AND WITH THE 2009 IBC, 2009 IRC, 2012 IBC, 2012 IRC, 2015 IBC AND 2015 IRC.
2. WOOD FRAMING AND MASONRY OPENING TO BE DESIGNED AND ANCHORED TO PROPERLY TRANSFER ALL LOADS TO STRUCTURE. FRAMING AND MASONRY OPENING IS THE RESPONSIBILITY OF THE ARCHITECT OR ENGINEER OF RECORD.
3. 1X BUCK OVER MASONRY/CONCRETE IS OPTIONAL.
4. WHERE SHIM OR BUCK THICKNESS IS LESS THAN 1-1/2" UNITS MUST BE ANCHORED THROUGH THE FRAME IN ACCORDANCE WITH MANUFACTURER'S PUBLISHED INSTALLATION INSTRUCTIONS. ANCHORS SHALL BE SECURELY FASTENED DIRECTLY INTO MASONRY, CONCRETE OR OTHER STRUCTURAL SUBSTRATE MATERIAL.
5. WHERE WOOD BUCK THICKNESS IS 1-1/2" OR GREATER, BUCK SHALL BE SECURELY FASTENED TO MASONRY, CONCRETE OR OTHER STRUCTURAL SUBSTRATE. UNITS MAY BE ANCHORED THROUGH FRAME TO SECURED WOOD BUCK IN ACCORDANCE WITH MANUFACTURER'S PUBLISHED INSTALLATION INSTRUCTIONS.
6. WHERE 1X BUCK IS NOT USED DISSIMILAR MATERIALS MUST BE SEPARATED WITH APPROVED COATING OR MEMBRANE. SELECTION OF COATING OR MEMBRANE IS THE RESPONSIBILITY OF THE ARCHITECT OR ENGINEER OF RECORD.
7. BUCKS SHALL EXTEND BEYOND UNIT FRAME INTERIOR FACE SO THAT FULL FRAME SUPPORT IS PROVIDED.
8. SHIM AS REQUIRED AT EACH ANCHOR LOCATION WITH LOAD BEARING SHIM. SHIM WHERE SPACE OF 1/16" OR GREATER OCCURS. MAXIMUM ALLOWABLE SHIM STACK TO BE 1/4".
9. SHIMS SHALL BE LOCATED, APPLIED AND MADE FROM MATERIALS AND THICKNESS CAPABLE OF SUSTAINING APPLICABLE LOADS.
10. WIND LOAD DURATION FACTOR Cd=1.6 WAS USED FOR WOOD ANCHOR CALCULATIONS.
11. FRAME JAMB AND HEAD MATERIAL: CO-EXTRUDED PVC FOAM 1 1/2" THICK.
12. FRAME SILL MATERIAL: CO-EXTRUDED PVC FOAM 2" THICK WITH ALUMINUM CLADDING .063" THICK.
13. DOOR PANEL AND SIDELITE MATERIAL: .075" THICK FIBERGLASS SKIN WITH PVC FOAM TOP AND BOTTOM RAILS, AND PVC FOAM VERTICAL STILES WITH PINE REINFORCEMENTS AND POLYURETHANE FOAM CORE.
14. UNITS MUST BE GLAZED PER ASTM E1300-04/09, WITH SAFETY GLAZING.
15. APPROVED IMPACT PROTECTIVE SYSTEM IS REQUIRED FOR THIS PRODUCT IN WIND BORNE DEBRIS REGIONS.
16. FOR ANCHORING THROUGH FRAME INTO WOOD FRAMING OR 2X BUCK USE #10 WOOD SCREWS WITH SUFFICIENT LENGTH TO ACHIEVE A 1 1/4" MINIMUM EMBEDMENT INTO SUBSTRATE. LOCATE ANCHORS AS SHOWN IN ELEVATIONS AND INSTALLATION DETAILS.
17. FOR ANCHORING THROUGH FRAME INTO MASONRY/CONCRETE USE 3/16" TAPCON WITH SUFFICIENT LENGTH TO ACHIEVE A 1 1/4" MINIMUM EMBEDMENT INTO SUBSTRATE WITH 2" MINIMUM EDGE DISTANCE. LOCATE ANCHORS AS SHOWN IN ELEVATIONS AND INSTALLATION DETAILS.
18. FOR ANCHORING THROUGH FRAME INTO METAL STRUCTURE USE #10 SMS OR SELF DRILLING SCREWS WITH SUFFICIENT LENGTH TO ACHIEVE 3 THREADS MINIMUM BEYOND STRUCTURE INTERIOR WALL. LOCATE ANCHORS AS SHOWN IN ELEVATIONS AND INSTALLATION DETAILS.
19. ALL FASTENERS TO BE CORROSION RESISTANT.
20. INSTALLATION ANCHORS SHALL BE INSTALLED IN ACCORDANCE WITH ANCHOR MANUFACTURER'S INSTALLATION INSTRUCTIONS AND ANCHORS SHALL NOT BE USED IN SUBSTRATES WITH STRENGTHS LESS THAN THE MINIMUM STRENGTH SPECIFIED BELOW:
  - A. WOOD: MINIMUM SPECIFIC GRAVITY OF G=0.42
  - B. CONCRETE: MINIMUM COMPRESSIVE STRENGTH OF 2,000 PSI.
  - C. MASONRY: HOLLOW/FILLED BLOCK PER ASTM C90 WITH Fm=2,000PSI MINIMUM.
  - D. METAL STRUCTURE: STEEL 18GA (.048") FY=33KSI/FU=52KSI OR ALUMINUM 6063-T5 FU=30KSI .075" THICK MINIMUM
21. APPROVED CONFIGURATIONS: O, X, OX, XO, XX, OXO, XXO, OXX AND OXXO. SEE SHEET 3.
22. HINGES LOCATED AT 9", 34 1/2", 60" AND 85 5/8" FROM BOTTOM OF PANEL.

SIGNED: 04/23/2019

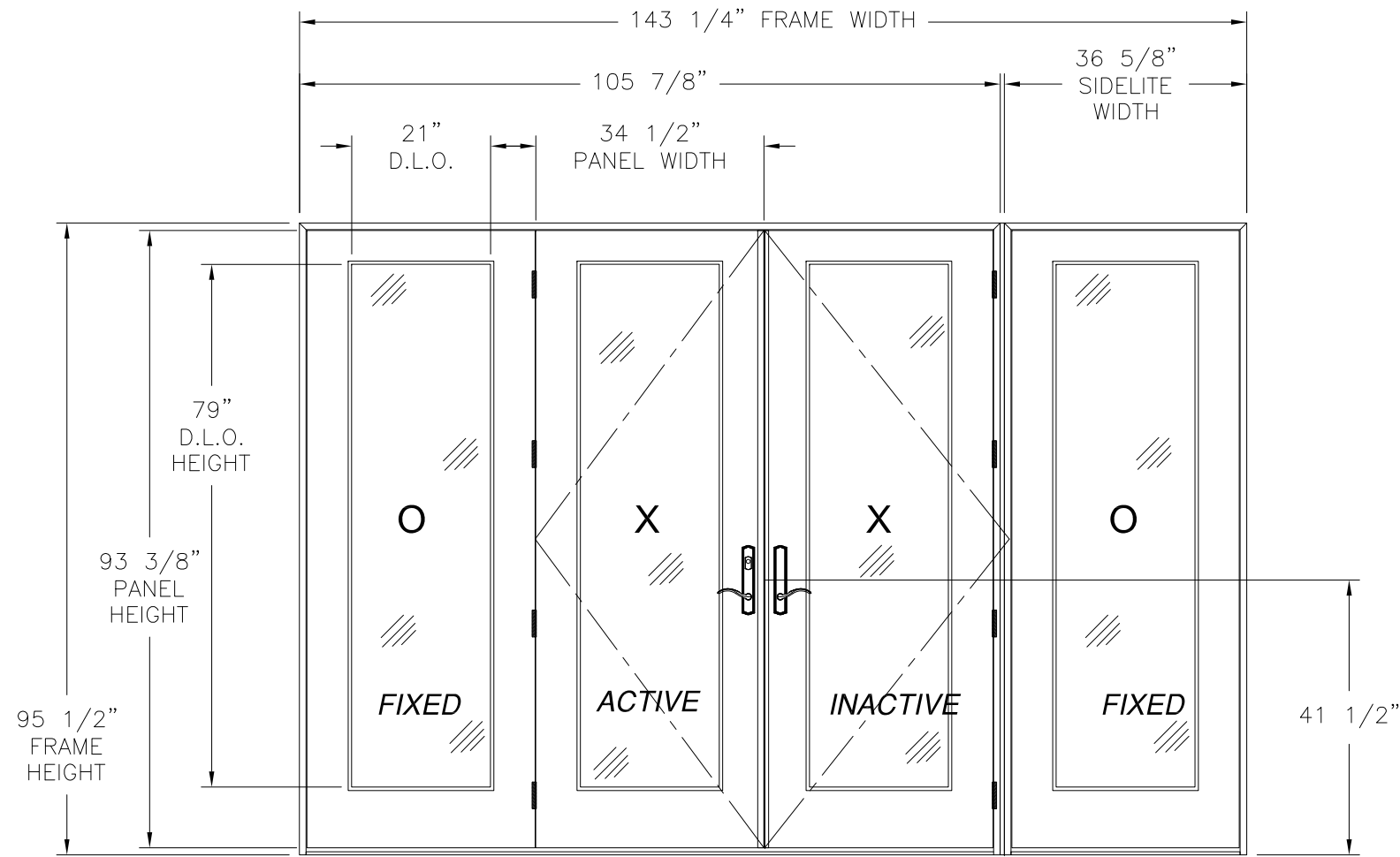
TABLE OF CONTENTS	
SHEET NO.	DESCRIPTION
1	NOTES
2	ELEVATION
3	APPROVED CONFIGURATIONS
4 - 5	ANCHORING LAYOUTS
6 - 12	INSTALLATION DETAILS
13	COMPONENTS

<b>NAN YA PLASTICS CORP. USA</b> 8989 NORTH LOOP EAST HOUSTON, TX 77029		
OUT-SWING PATIO DOOR W/SIDELITES FIBERGLASS GLAZED NON-IMPACT NOTES		
DRAWN: A.R.	DWG NO. 08-03410	REV -
SCALE NTS	DATE 04/10/19	SHEET 1 OF 13
L. ROBERTO LOMAS P.E. 1432 WOODFORD RD LEWISVILLE, NC 27023 434-688-0609 rllomas@rlomaspe.com		



Luis R. Lomas P.E.  
TX No.: 101889

REVISIONS			
REV	DESCRIPTION	DATE	APPROVED



**OUT-SWING PATIO DOUBLE DOOR W/ SIDELITES**  
EXTERIOR VIEW

DESIGN PRESSURE RATING	IMPACT RATING
±65.0PSF	NONE

34 1/2" X 93 3/8" PANELS SHOWN. OTHER PANEL SIZES ARE APPROVED AS LONG AS PANEL AREA DOES NOT EXCEED 22.37 FT<sup>2</sup>

NAN YA PLASTICS CORP. USA  
8989 NORTH LOOP EAST  
HOUSTON, TX 77029

OUT-SWING PATIO DOOR W/SIDELITES  
FIBERGLASS GLAZED NON-IMPACT  
ELEVATION 2

DRAWN: A.R.	DWG NO. 08-03410	REV -
SCALE NTS	DATE 04/10/19	SHEET 2 OF 13

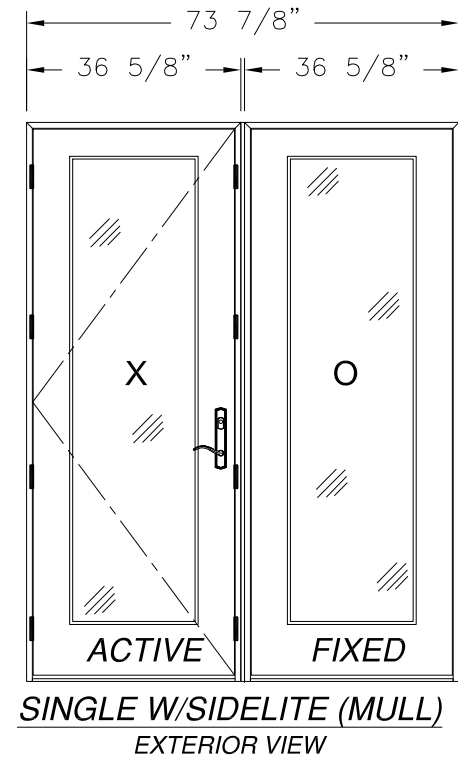
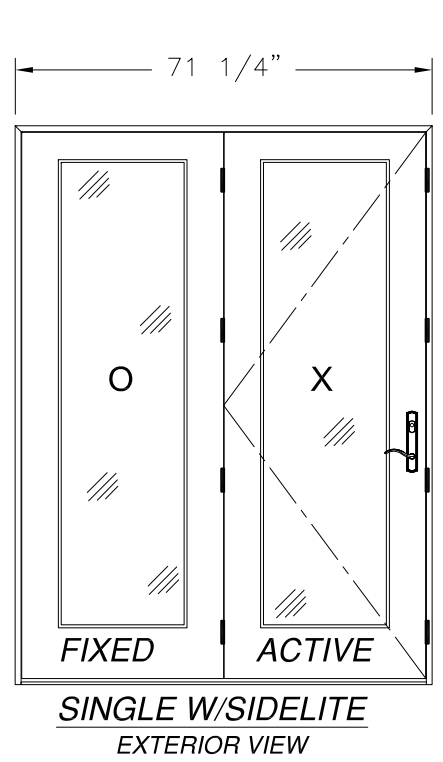
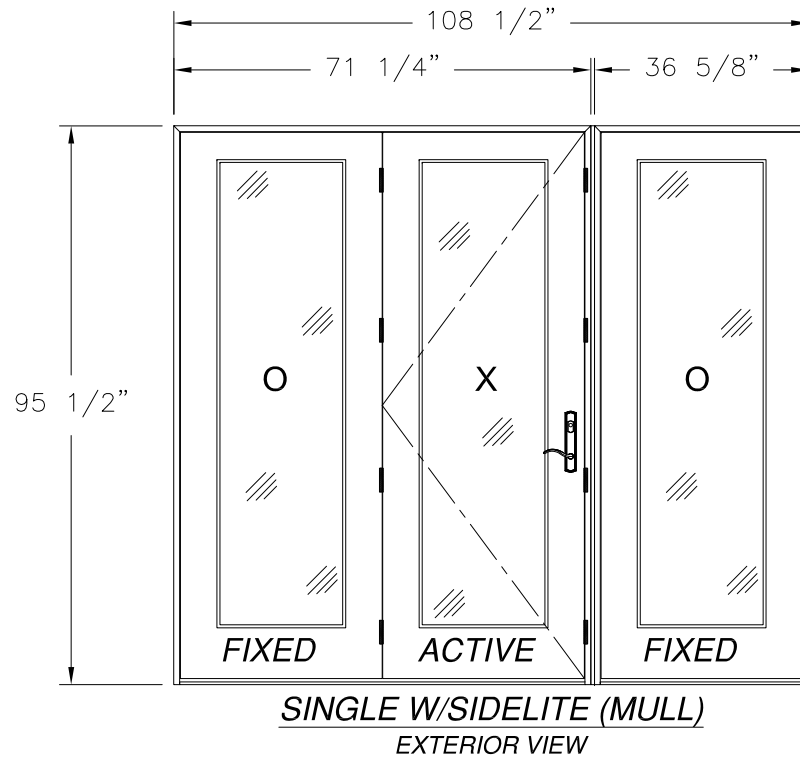
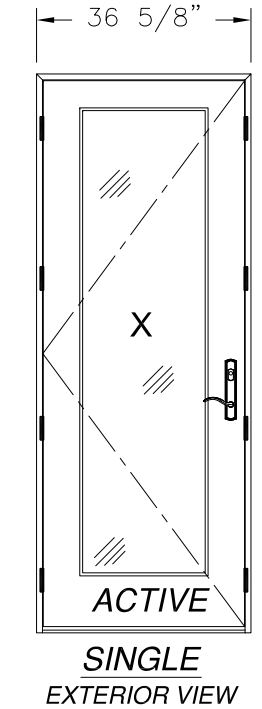
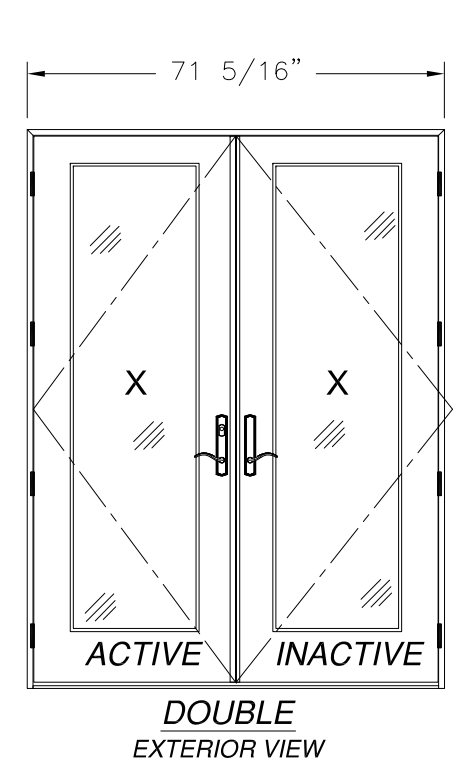
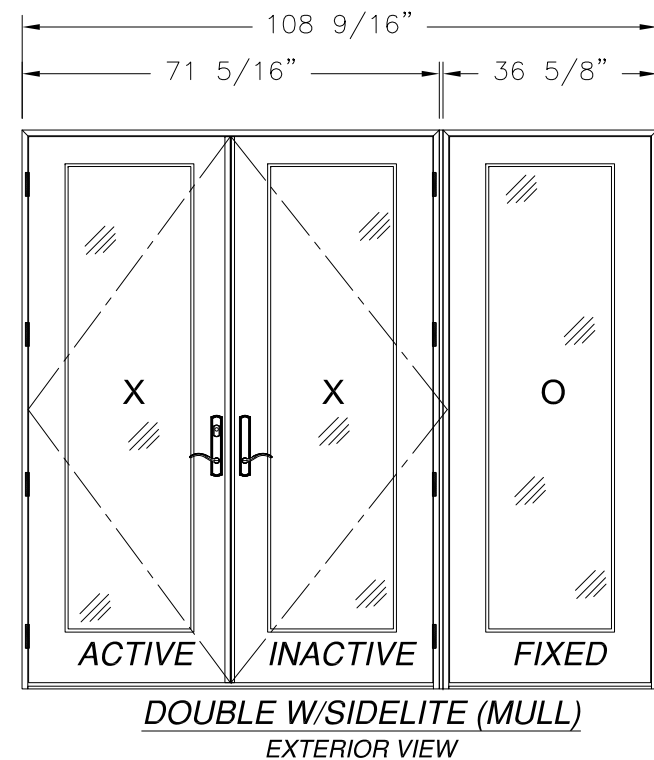
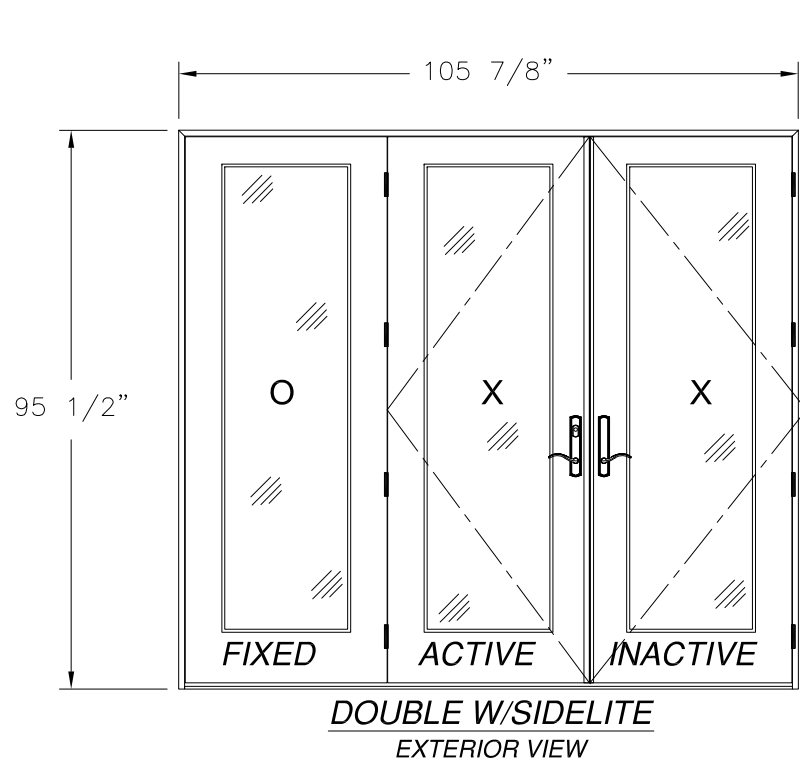
L. ROBERTO LOMAS P.E.  
1432 WOODFORD RD LEWISVILLE, NC 27023  
434-688-0609 rllomas@rlomaspe.com

SIGNED: 04/23/2019



Luis R. Lomas P.E.  
TX No.: 101889

REVISIONS			
REV	DESCRIPTION	DATE	APPROVED



NOTE:  
ALL APPROVED CONFIGURATIONS ARE SHOWN AS LEFT  
HAND ACTIVE, RIGHT HAND ACTIVE IS ALSO APPROVED.

HARDWARE SCHEDULE	
A.	(3) 4" BUTT HINGE
B.	3 POINT LOCK SYSTEM (ACTIVE PANEL)
C.	RIGID PVC ASTRAGAL WITH ALUMINUM REINFORCEMENT

NAN YA PLASTICS CORP. USA  
8989 NORTH LOOP EAST  
HOUSTON, TX 77029

OUT-SWING PATIO DOOR W/SIDELITES  
FIBERGLASS GLAZED NON-IMPACT  
APPROVED CONFIGURATIONS

DRAWN: A.R.	DWG NO. 08-03410	REV -
SCALE NTS	DATE 04/10/19	SHEET 3 OF 13

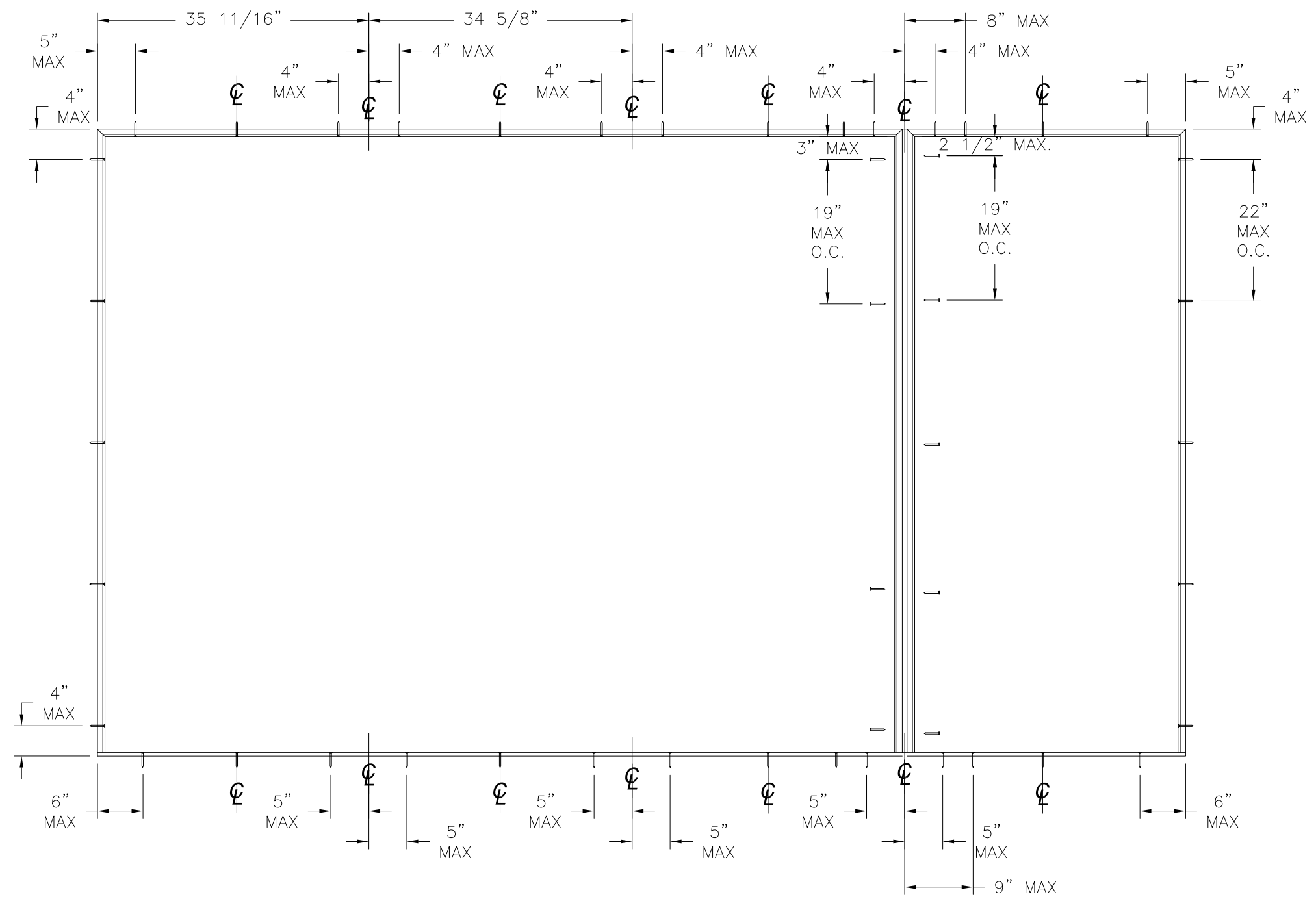
L. ROBERTO LOMAS P.E.  
1432 WOODFORD RD LEWISVILLE, NC 27023  
434-688-0609 rllomas@rlomaspe.com

SIGNED: 04/23/2019



Luis R. Lomas P.E.  
TX No.: 101889

REVISIONS			
REV	DESCRIPTION	DATE	APPROVED



ANCHORING LAYOUT

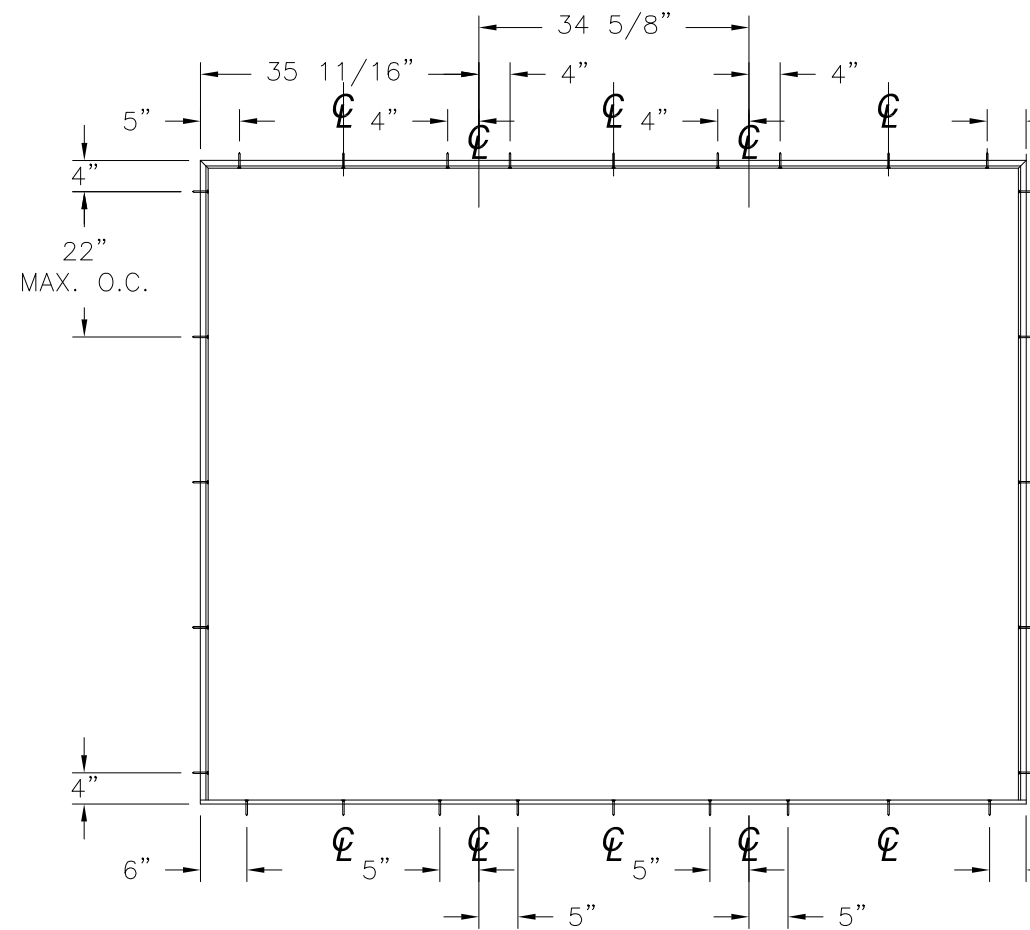
SIGNED: 04/23/2019

<p>NAN YA PLASTICS CORP. USA          8989 NORTH LOOP EAST          HOUSTON, TX 77029</p>		
<p>OUT-SWING PATIO DOOR W/SIDELITES          FIBERGLASS GLAZED NON-IMPACT          ANCHORING LAYOUT</p>		
<p>DRAWN: A.R.</p>	<p>DWG NO. 08-03410</p>	<p>REV -</p>
<p>SCALE NTS</p>	<p>DATE 04/10/19</p>	<p>SHEET 4 OF 13</p>
<p>L. ROBERTO LOMAS P.E.          1432 WOODFORD RD LEWISVILLE, NC 27023          434-688-0609 rllomas@lrlomaspe.com</p>		

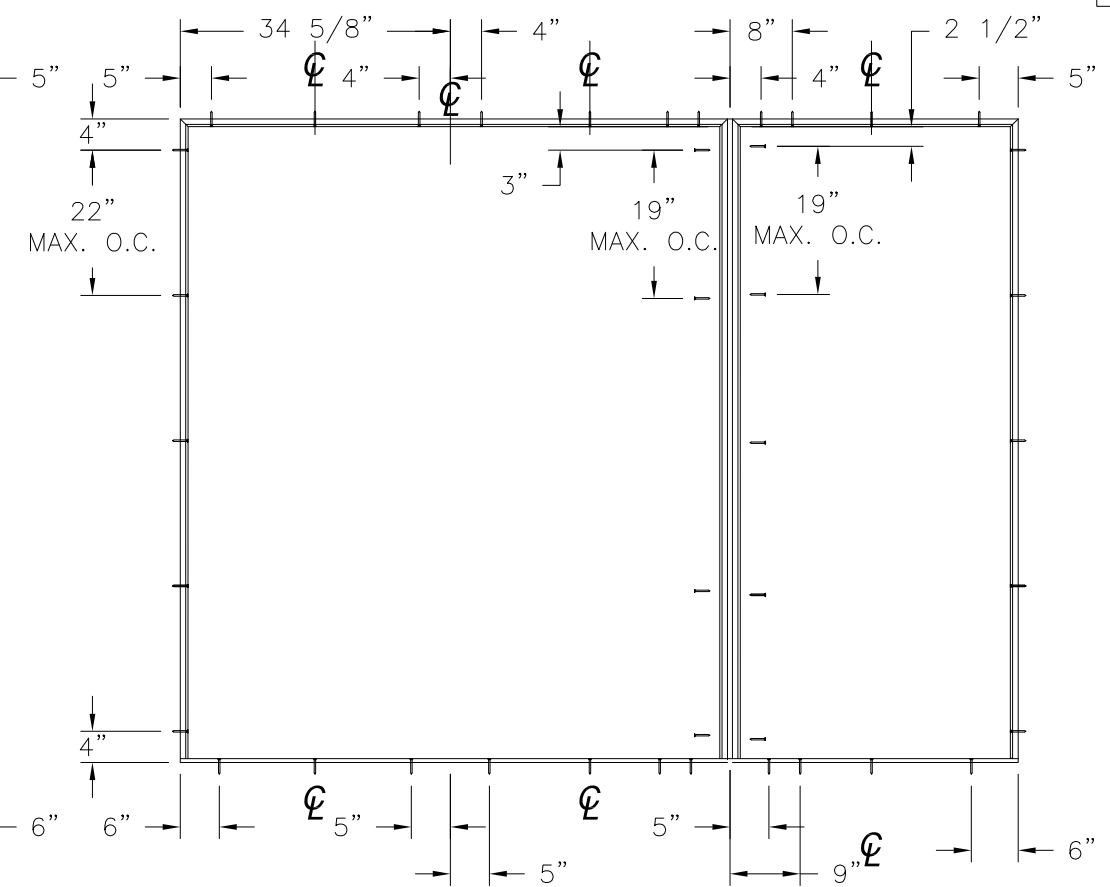


Luis R. Lomas P.E.  
 TX No.: 101889

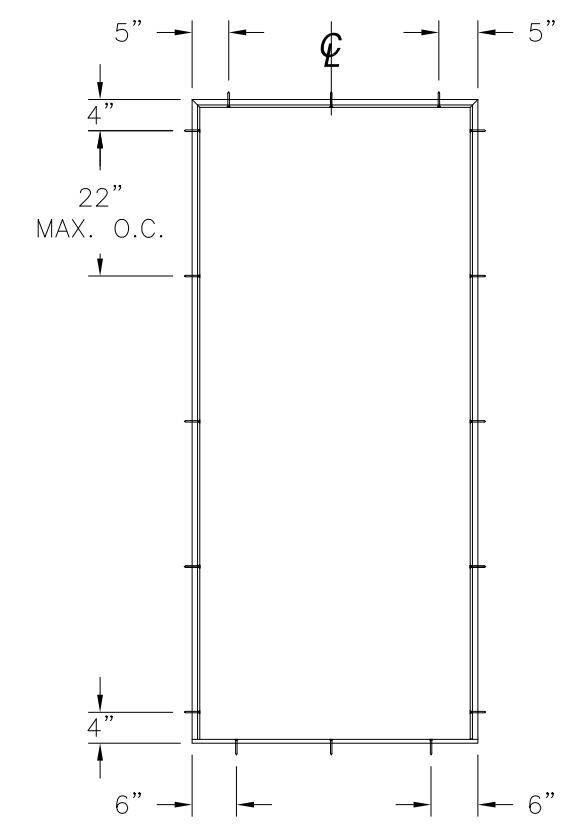
REVISIONS			
REV	DESCRIPTION	DATE	APPROVED



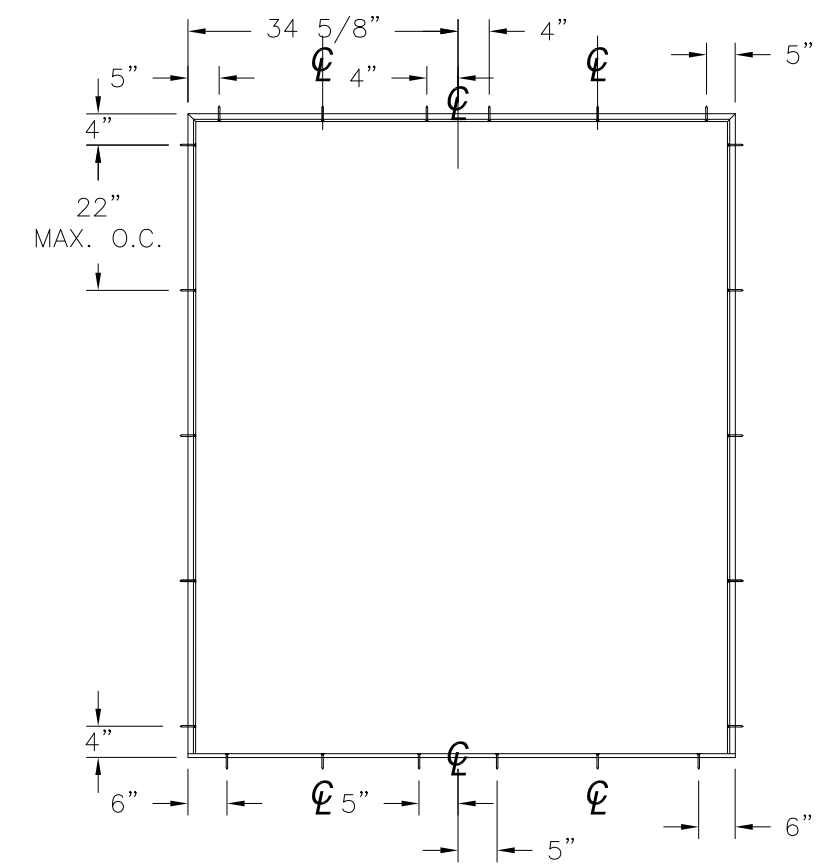
**ANCHORING LAYOUT FOR OXO, XXO AND OXX**



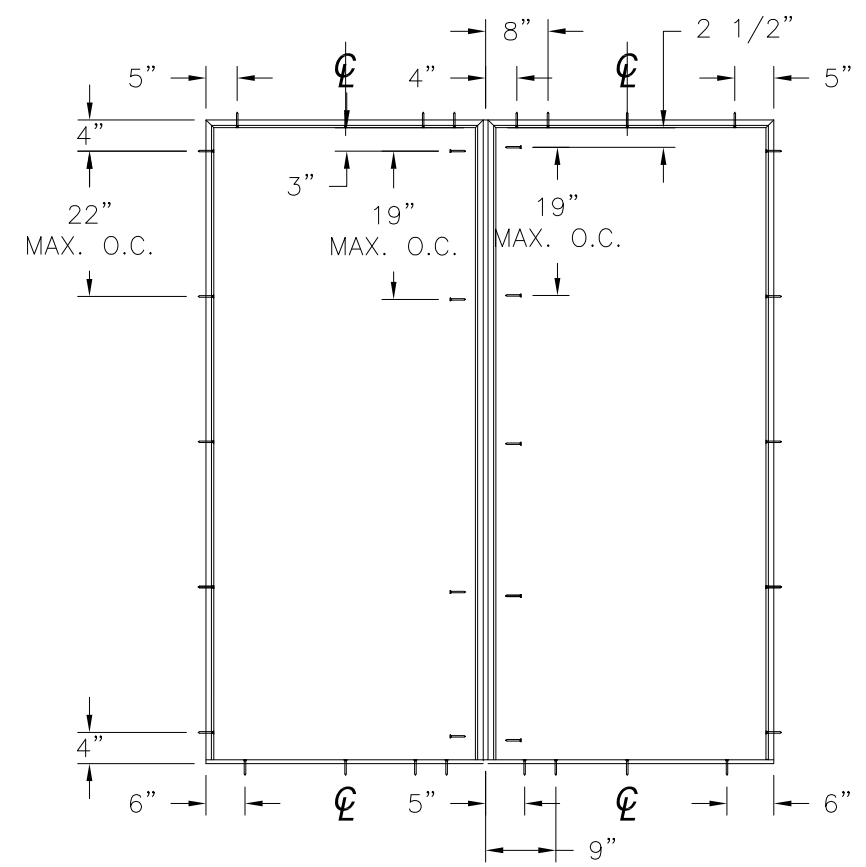
**ANCHORING LAYOUT FOR OXO, XXO AND OXX (MULL)**



**ANCHORING LAYOUT FOR X**



**ANCHORING LAYOUT FOR XX, OX AND XO**



**ANCHORING LAYOUT FOR OX AND XO (MULL)**

NAN YA PLASTICS CORP. USA  
 8989 NORTH LOOP EAST  
 HOUSTON, TX 77029

OUT-SWING PATIO DOOR W/SIDELITES  
 FIBERGLASS GLAZED NON-IMPACT  
 ANCHORING LAYOUTS

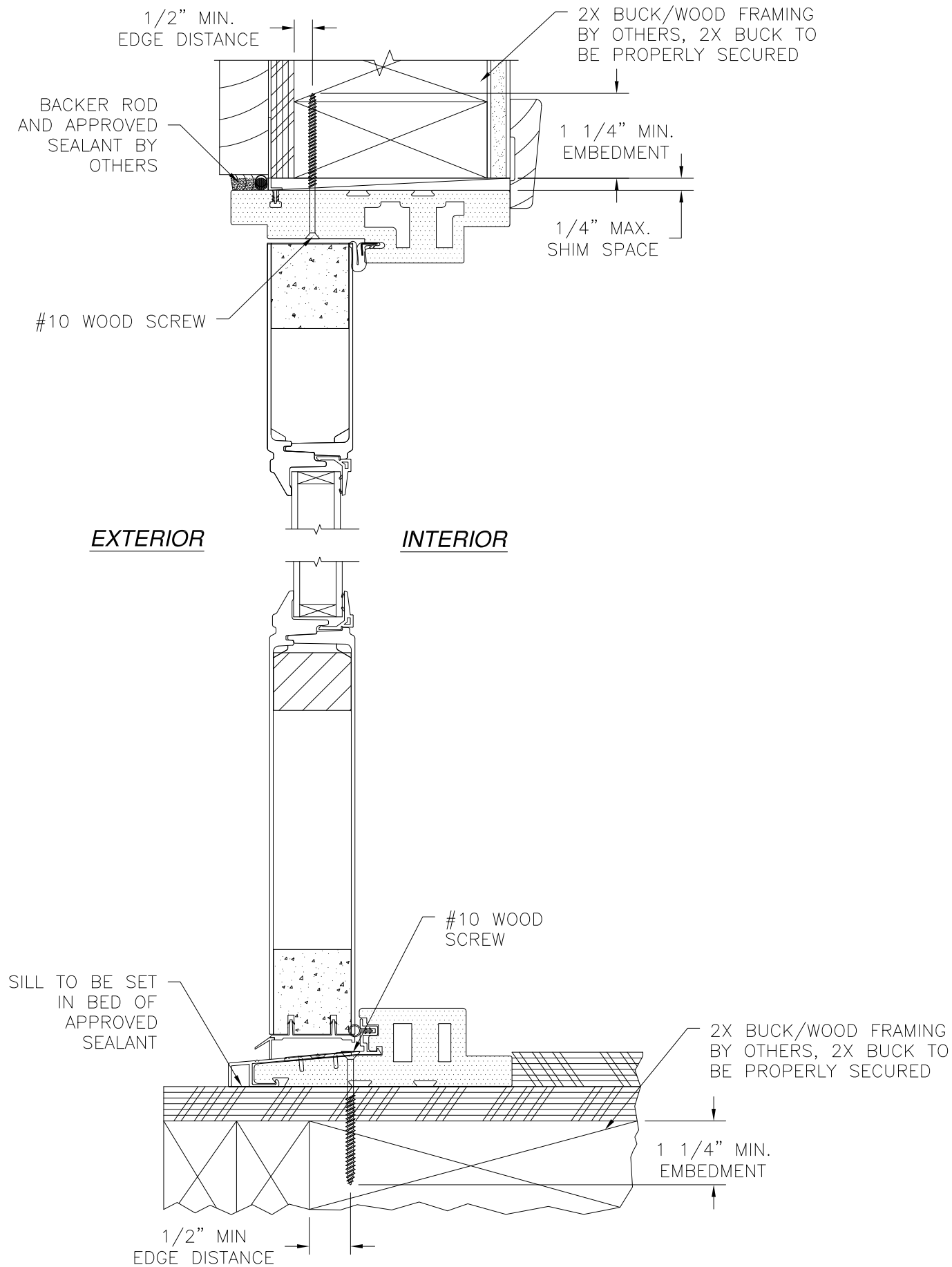
DRAWN: A.R.	DWG NO. 08-03410	REV -
SCALE NTS	DATE 04/10/19	SHEET 5 OF 13

L. ROBERTO LOMAS P.E.  
 1432 WOODFORD RD LEWISVILLE, NC 27023  
 434-688-0609 rllomas@rlomaspe.com

SIGNED: 04/23/2019

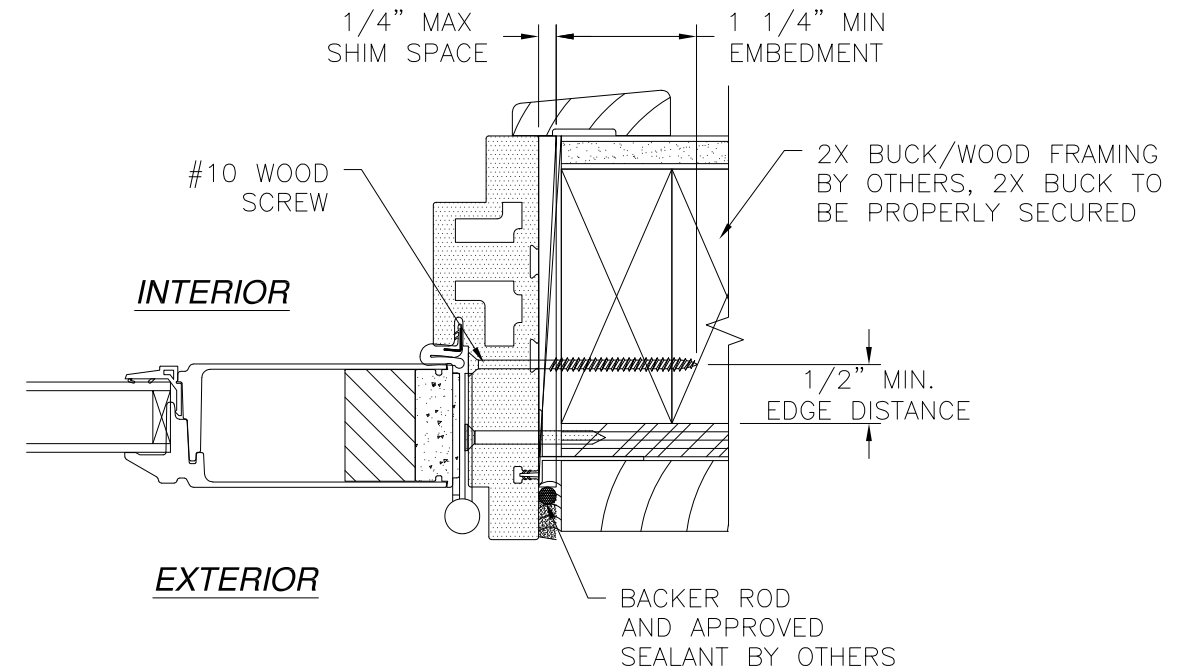


Luis R. Lomas P.E.  
 TX No.: 101889



**DOOR VERTICAL CROSS SECTION**  
2X BUCK/WOOD FRAMING INSTALLATION

REVISIONS			
REV	DESCRIPTION	DATE	APPROVED



**DOOR HORIZONTAL CROSS SECTION**  
2X BUCK/WOOD FRAMING INSTALLATION

- NOTES:**
1. INTERIOR AND EXTERIOR FINISHES, BY OTHERS, NOT SHOWN FOR CLARITY.
  2. PERIMETER AND JOINT SEALANT BY OTHERS TO BE DESIGNED IN ACCORDANCE WITH ASTM E2112

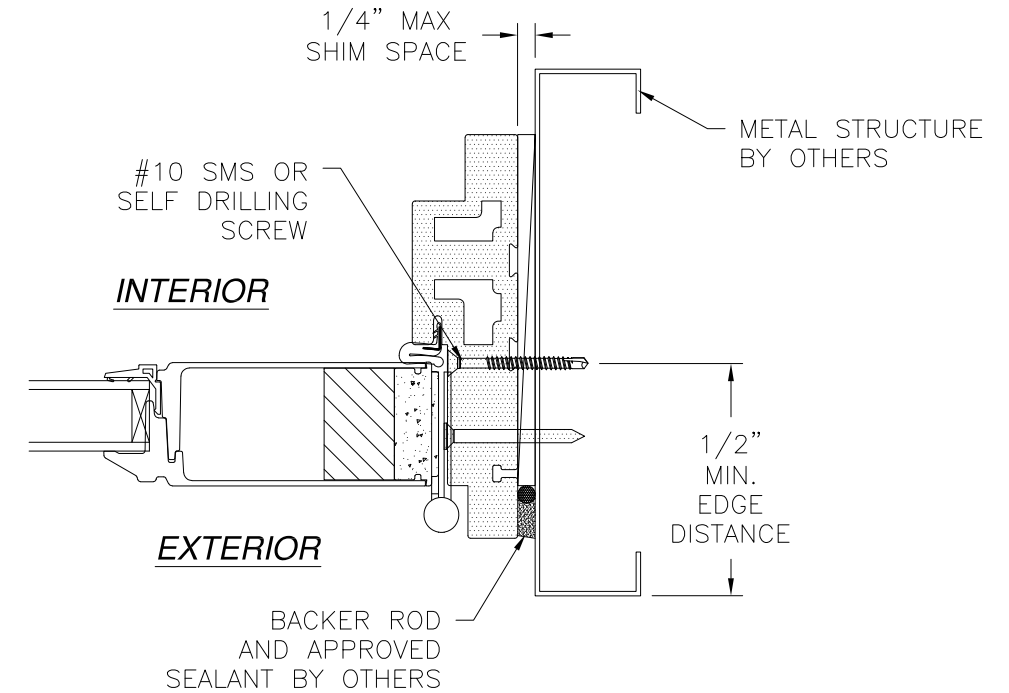
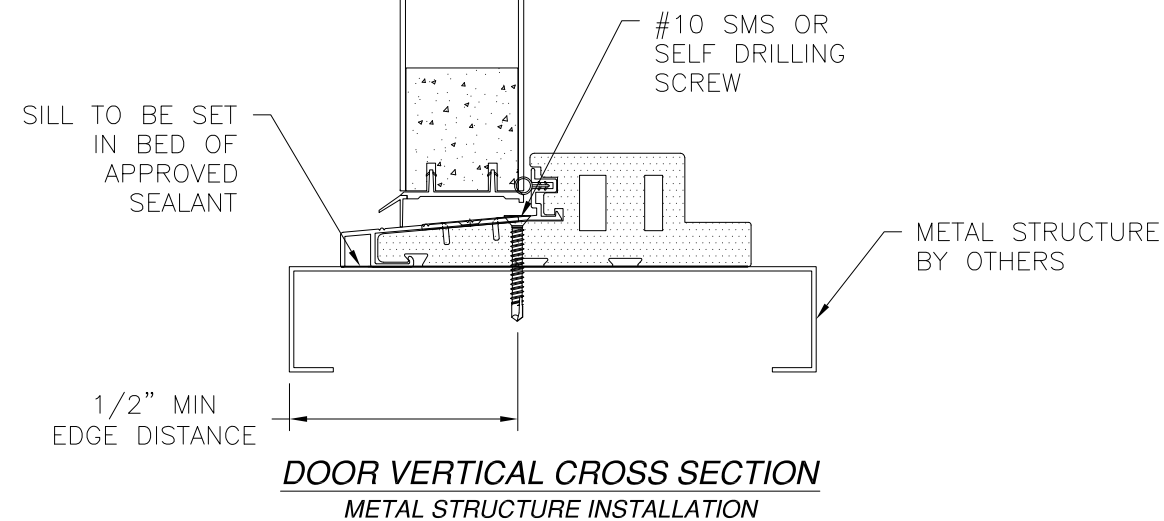
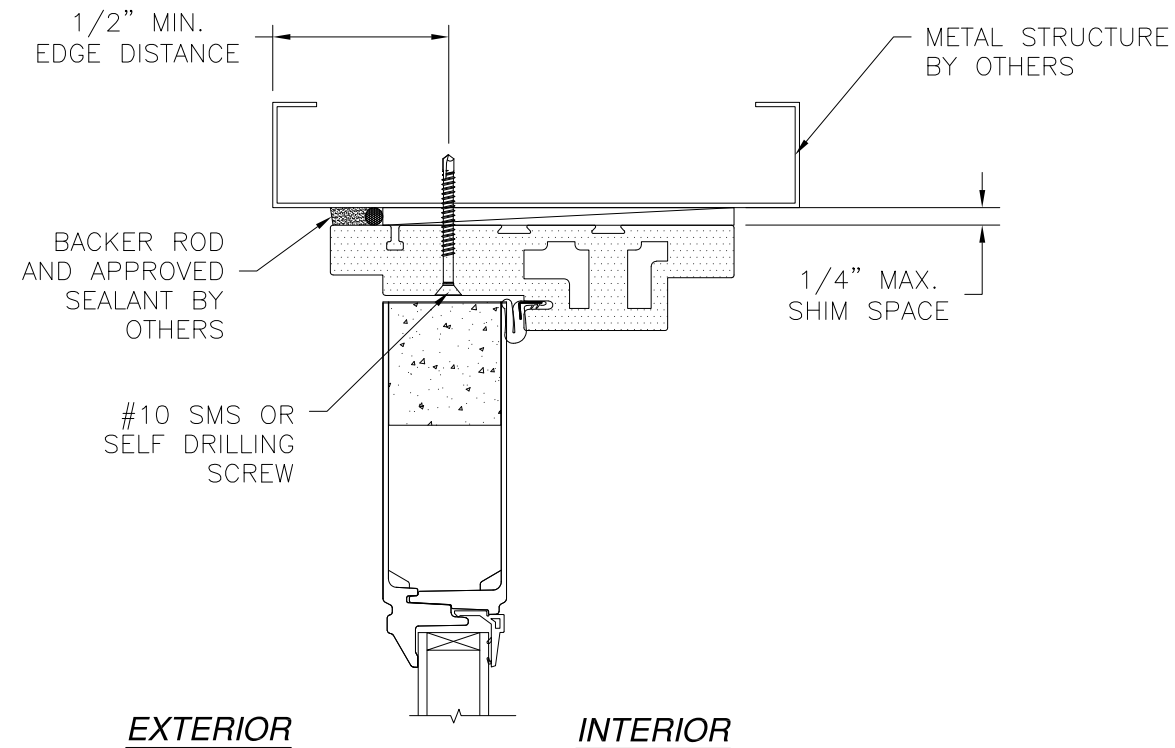
SIGNED: 04/23/2019

<p>NAN YA PLASTICS CORP. USA 8989 NORTH LOOP EAST HOUSTON, TX 77029</p>		
<p>OUT-SWING PATIO DOOR W/SIDELITES FIBERGLASS GLAZED NON-IMPACT DOOR INSTALLATION DETAILS</p>		
<p>DRAWN: A.R.</p>	<p>DWG NO. 08-03410</p>	<p>REV -</p>
<p>SCALE NTS</p>	<p>DATE 04/10/19</p>	<p>SHEET 6 OF 13</p>
<p>L. ROBERTO LOMAS P.E. 1432 WOODFORD RD LEWISVILLE, NC 27023 434-688-0609 rllomas@rlomaspe.com</p>		



Luis R. Lomas P.E.  
TX No.: 101889

REVISIONS			
REV	DESCRIPTION	DATE	APPROVED



**DOOR HORIZONTAL CROSS SECTION**  
METAL STRUCTURE INSTALLATION

- NOTES:**
1. INTERIOR AND EXTERIOR FINISHES, BY OTHERS, NOT SHOWN FOR CLARITY.
  2. PERIMETER AND JOINT SEALANT BY OTHERS TO BE DESIGNED IN ACCORDANCE WITH ASTM E2112

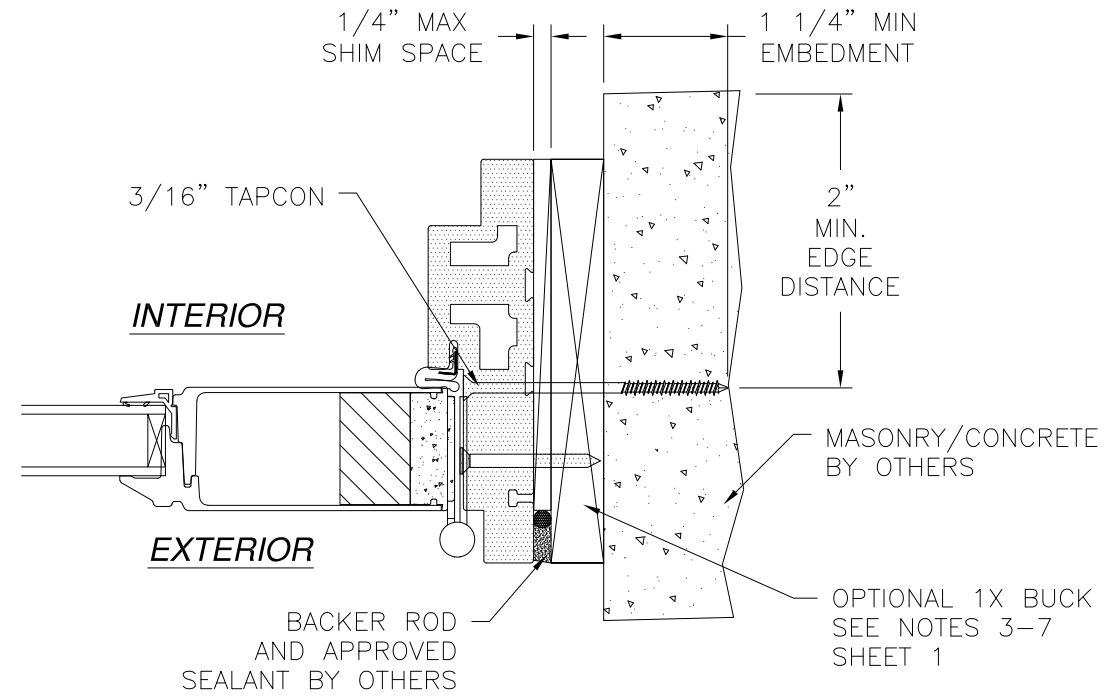
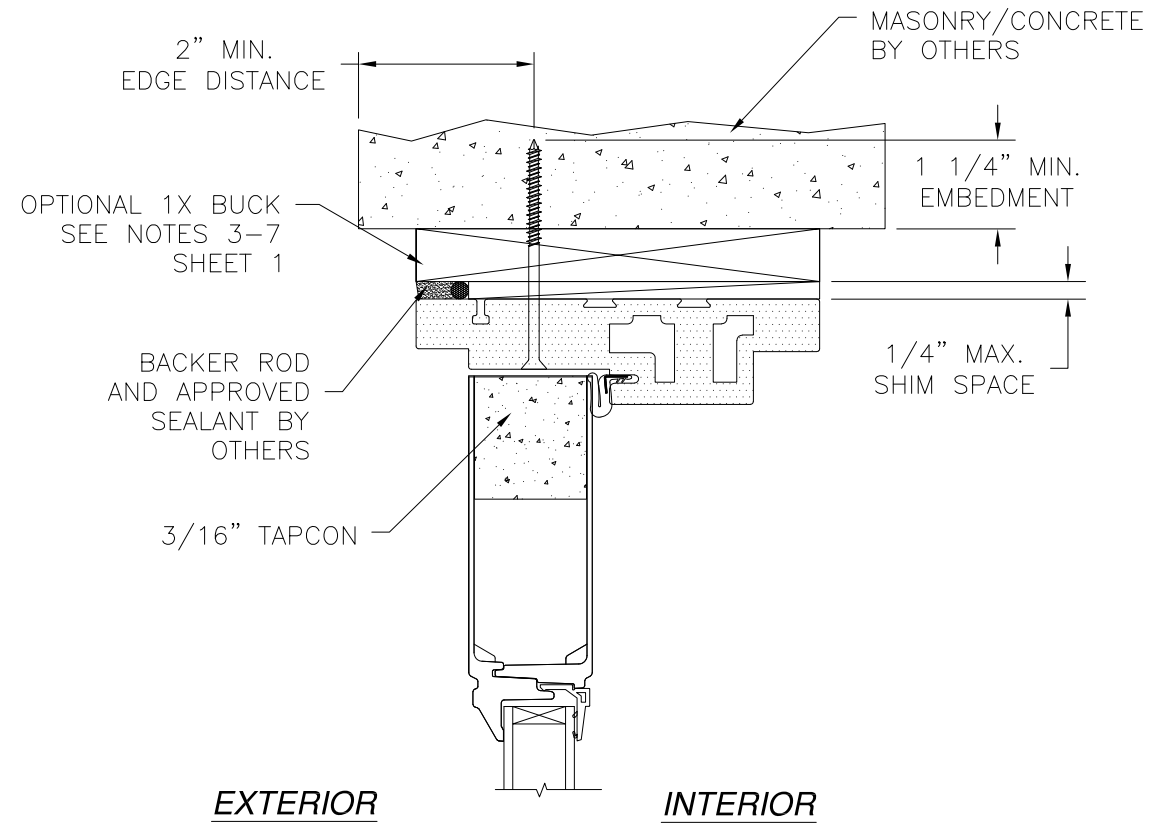
SIGNED: 04/23/2019

<p>NAN YA PLASTICS CORP. USA 8989 NORTH LOOP EAST HOUSTON, TX 77029</p>		
<p>OUT-SWING PATIO DOOR W/SIDELITES FIBERGLASS GLAZED NON-IMPACT DOOR INSTALLATION DETAILS</p>		
<p>DRAWN: A.R.</p>	<p>DWG NO. 08-03410</p>	<p>REV -</p>
<p>SCALE NTS</p>	<p>DATE 04/10/19</p>	<p>SHEET 7 OF 13</p>
<p>L. ROBERTO LOMAS P.E. 1432 WOODFORD RD LEWISVILLE, NC 27023 434-688-0609 rllomas@rlomaspe.com</p>		

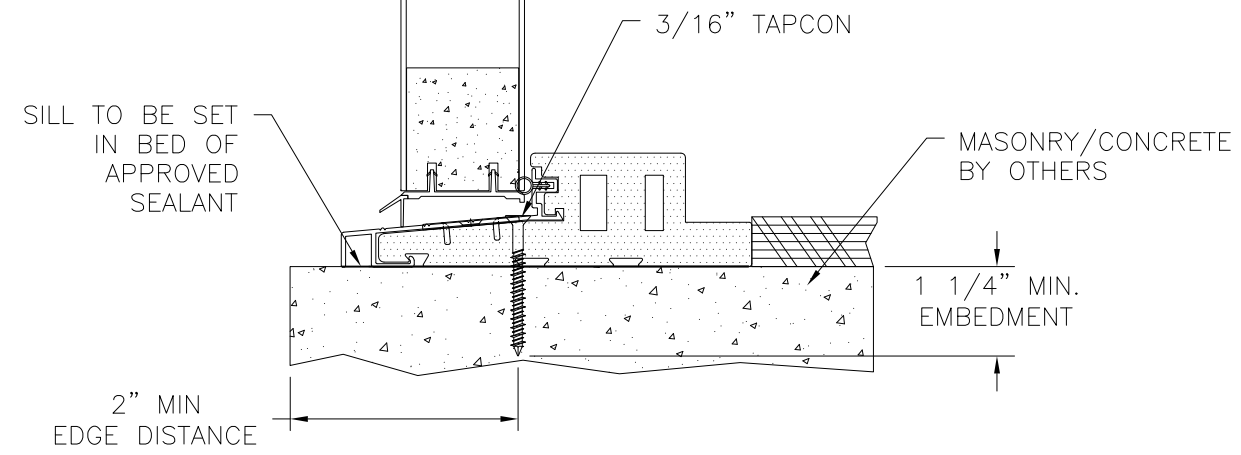


Luis R. Lomas P.E.  
TX No.: 101889

REVISIONS			
REV	DESCRIPTION	DATE	APPROVED



**DOOR HORIZONTAL CROSS SECTION**  
MASONRY/CONCRETE INSTALLATION



**DOOR VERTICAL CROSS SECTION**  
MASONRY/CONCRETE INSTALLATION

- NOTES:**
1. INTERIOR AND EXTERIOR FINISHES, BY OTHERS, NOT SHOWN FOR CLARITY.
  2. PERIMETER AND JOINT SEALANT BY OTHERS TO BE DESIGNED IN ACCORDANCE WITH ASTM E2112

SIGNED: 04/23/2019

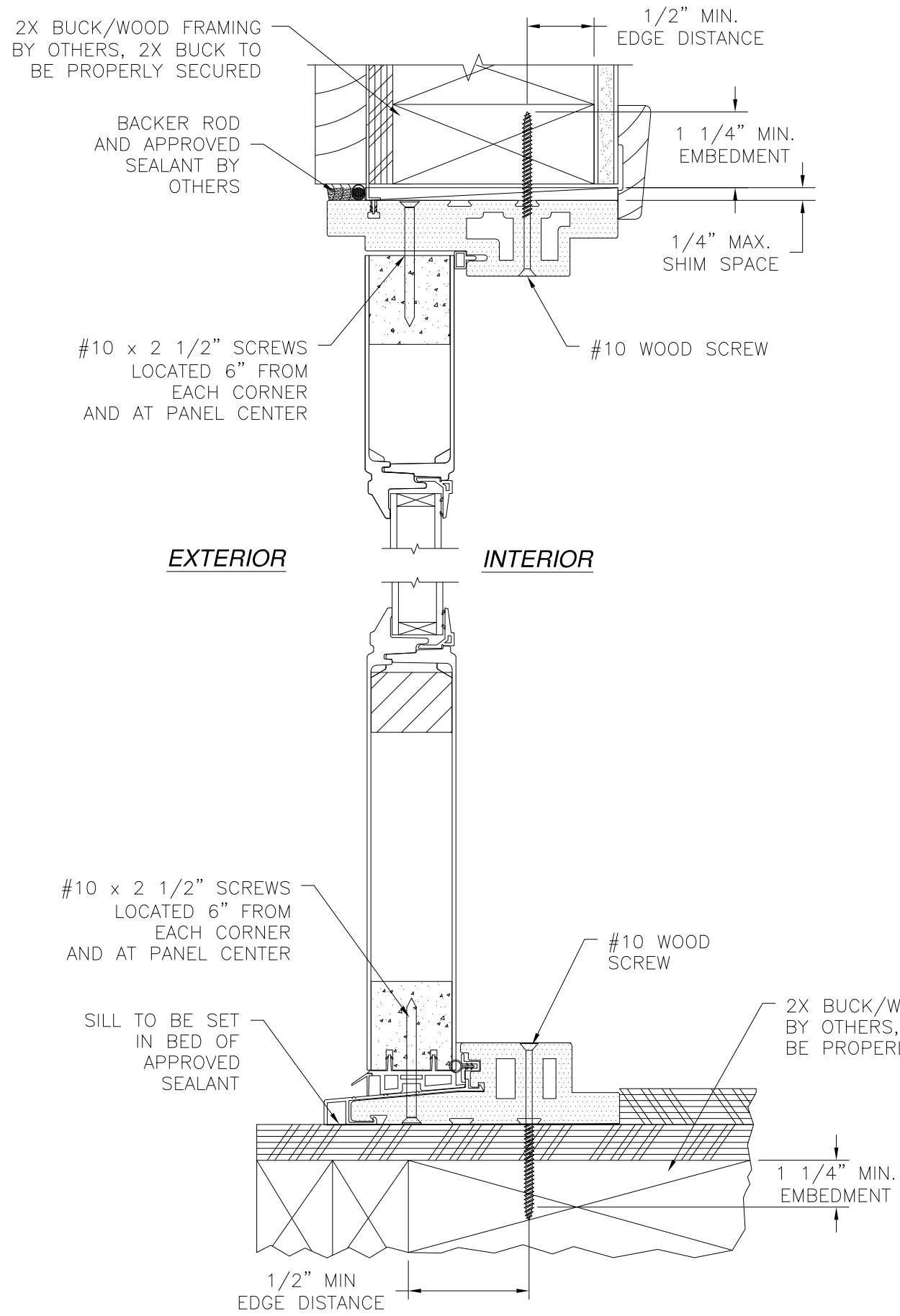
<p>NAN YA PLASTICS CORP. USA 8989 NORTH LOOP EAST HOUSTON, TX 77029</p>		
<p>OUT-SWING PATIO DOOR W/SIDELITES FIBERGLASS GLAZED NON-IMPACT DOOR INSTALLATION DETAILS</p>		
<p>DRAWN: A.R.</p>	<p>DWG NO. 08-03410</p>	<p>REV -</p>
<p>SCALE NTS</p>	<p>DATE 04/10/19</p>	<p>SHEET 8 OF 13</p>
<p>L. ROBERTO LOMAS P.E. 1432 WOODFORD RD LEWISVILLE, NC 27023 434-688-0609 rllomas@lrlomaspe.com</p>		



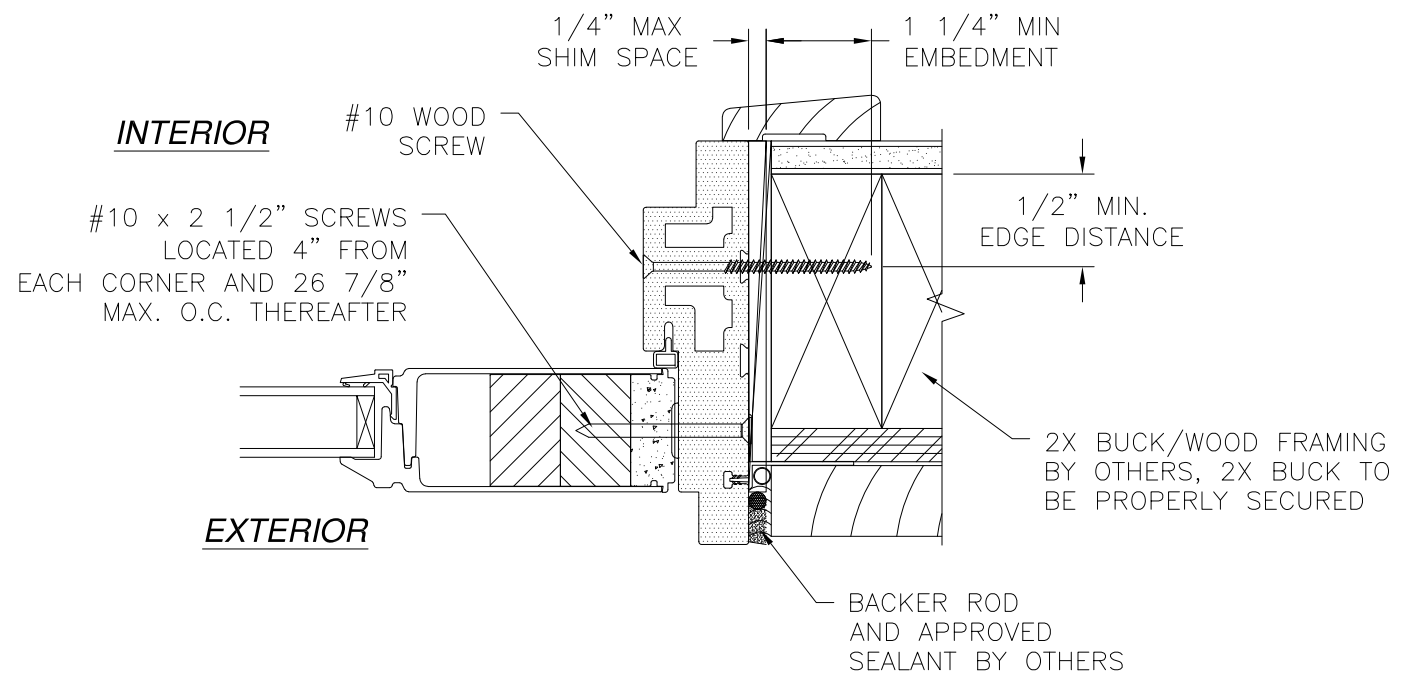
Luis R. Lomas P.E.  
TX No.: 101889



REVISIONS			
REV	DESCRIPTION	DATE	APPROVED



**SIDELITE VERTICAL CROSS SECTION**  
2X BUCK/WOOD FRAMING INSTALLATION



**SIDELITE HORIZONTAL CROSS SECTION**  
2X BUCK/WOOD FRAMING INSTALLATION

- NOTES:**
1. INTERIOR AND EXTERIOR FINISHES, BY OTHERS, NOT SHOWN FOR CLARITY.
  2. PERIMETER AND JOINT SEALANT BY OTHERS TO BE DESIGNED IN ACCORDANCE WITH ASTM E2112

SIGNED: 04/23/2019

NAN YA PLASTICS CORP. USA  
8989 NORTH LOOP EAST  
HOUSTON, TX 77029

OUT-SWING PATIO DOOR W/SIDELITES  
FIBERGLASS GLAZED NON-IMPACT  
SIDELITE INSTALLATION DETAILS

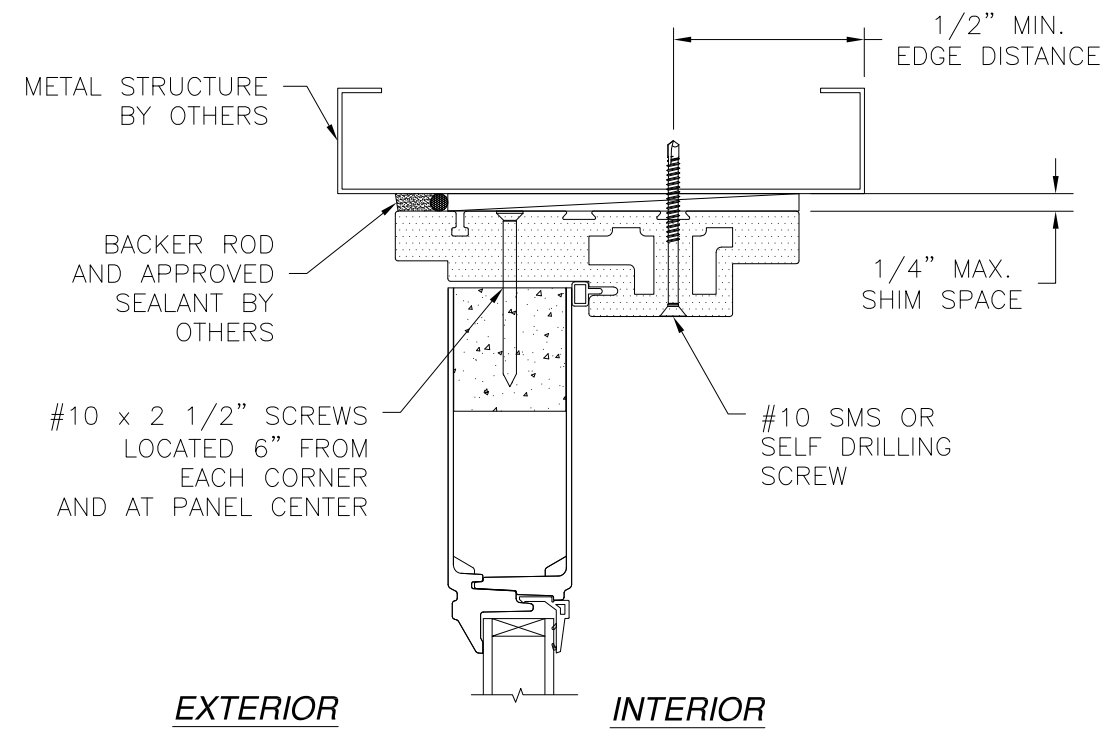
DRAWN: A.R.	DWG NO. 08-03410	REV -
SCALE NTS	DATE 04/10/19	SHEET 9 OF 13

L. ROBERTO LOMAS P.E.  
1432 WOODFORD RD LEWISVILLE, NC 27023  
434-688-0609 rllomas@rlomaspe.com

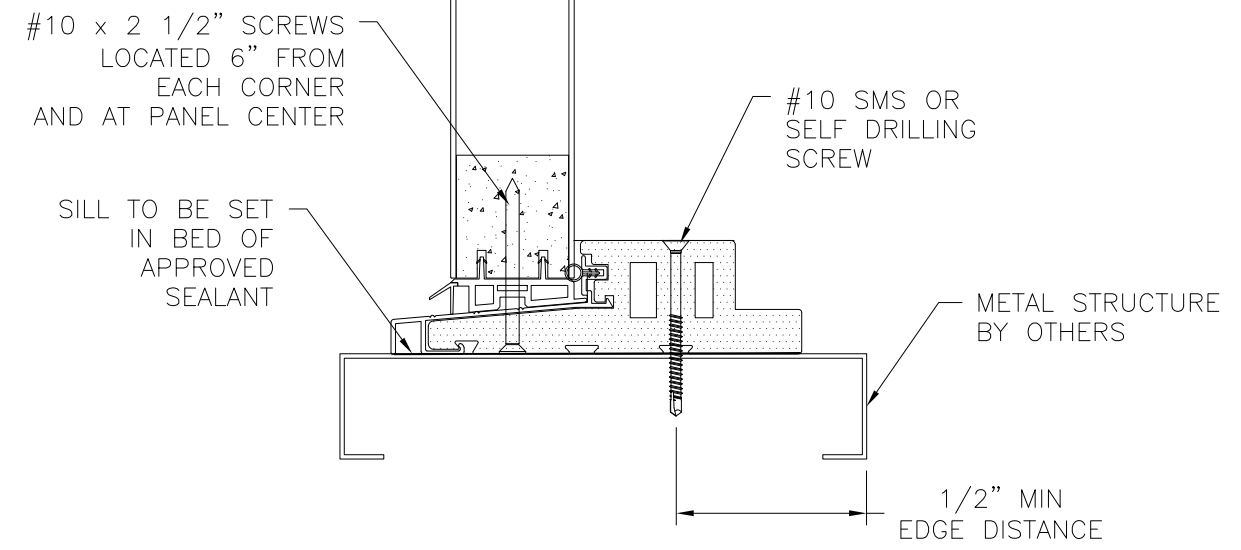


Luis R. Lomas P.E.  
TX No.: 101889

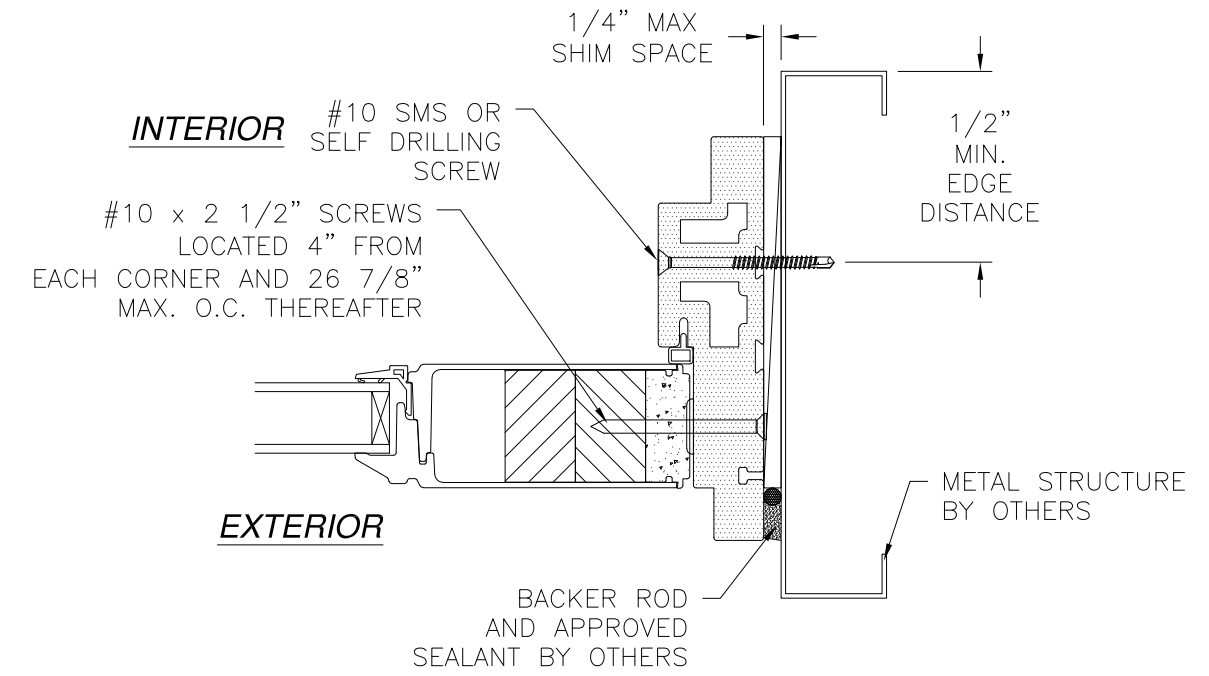
REVISIONS			
REV	DESCRIPTION	DATE	APPROVED



**EXTERIOR**                      **INTERIOR**



**SIDELITE VERTICAL CROSS SECTION**  
METAL STRUCTURE INSTALLATION



**EXTERIOR**

**SIDELITE HORIZONTAL CROSS SECTION**  
METAL STRUCTURE INSTALLATION

- NOTES:**
1. INTERIOR AND EXTERIOR FINISHES, BY OTHERS, NOT SHOWN FOR CLARITY.
  2. PERIMETER AND JOINT SEALANT BY OTHERS TO BE DESIGNED IN ACCORDANCE WITH ASTM E2112

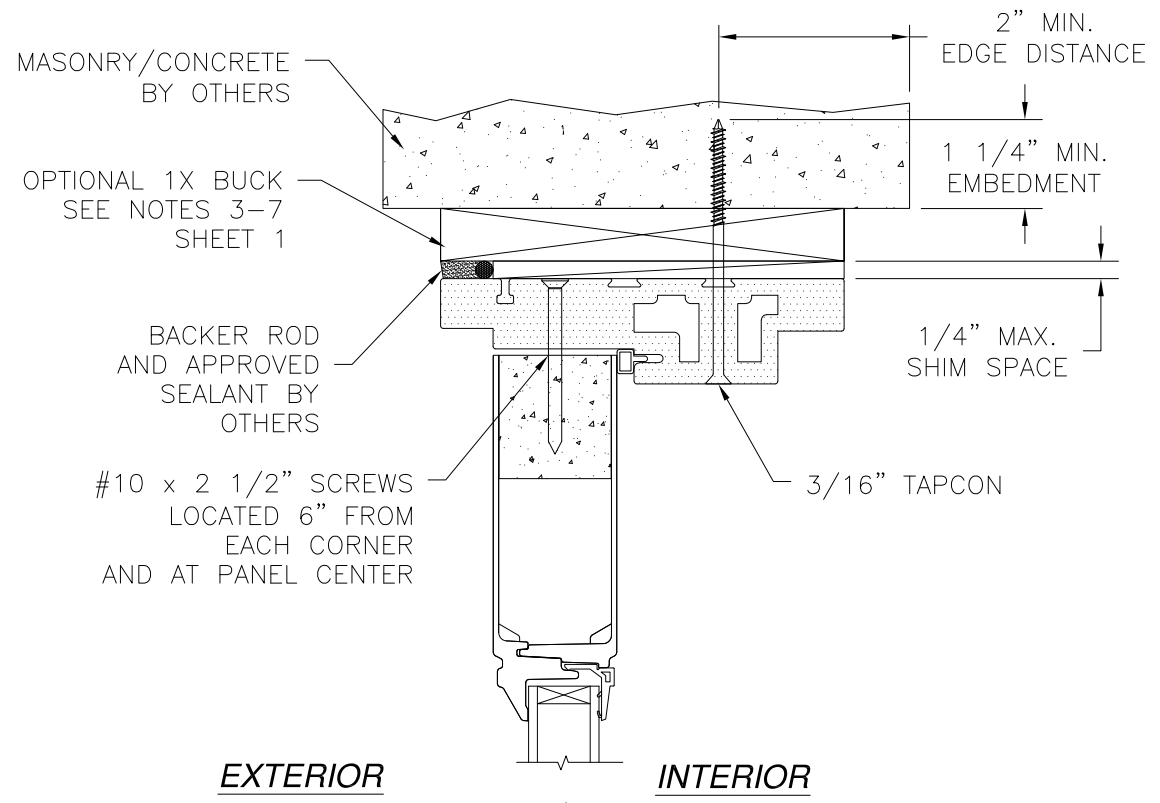
SIGNED: 04/23/2019

<p>NAN YA PLASTICS CORP. USA 8989 NORTH LOOP EAST HOUSTON, TX 77029</p>		
<p>OUT-SWING PATIO DOOR W/SIDELITES FIBERGLASS GLAZED NON-IMPACT SIDELITE INSTALLATION DETAILS</p>		
<p>DRAWN: A.R.</p>	<p>DWG NO. 08-03410</p>	<p>REV -</p>
<p>SCALE NTS</p>	<p>DATE 04/10/19</p>	<p>SHEET 10 OF 13</p>
<p>L. ROBERTO LOMAS P.E. 1432 WOODFORD RD LEWISVILLE, NC 27023 434-688-0609 rllomas@rlomaspe.com</p>		

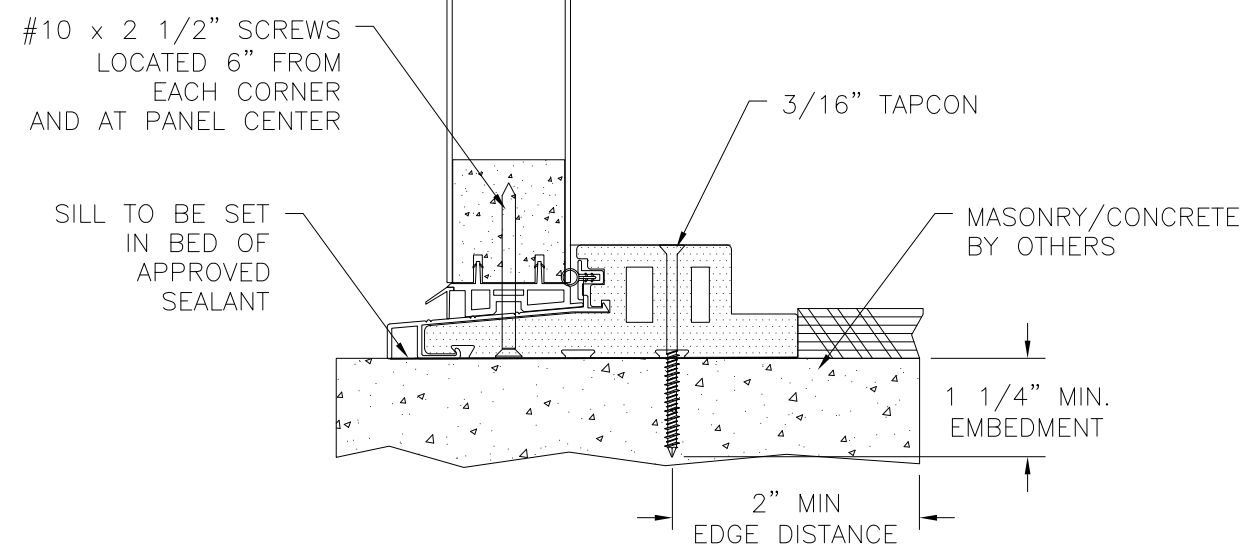


Luis R. Lomas P.E.  
TX No.: 101889

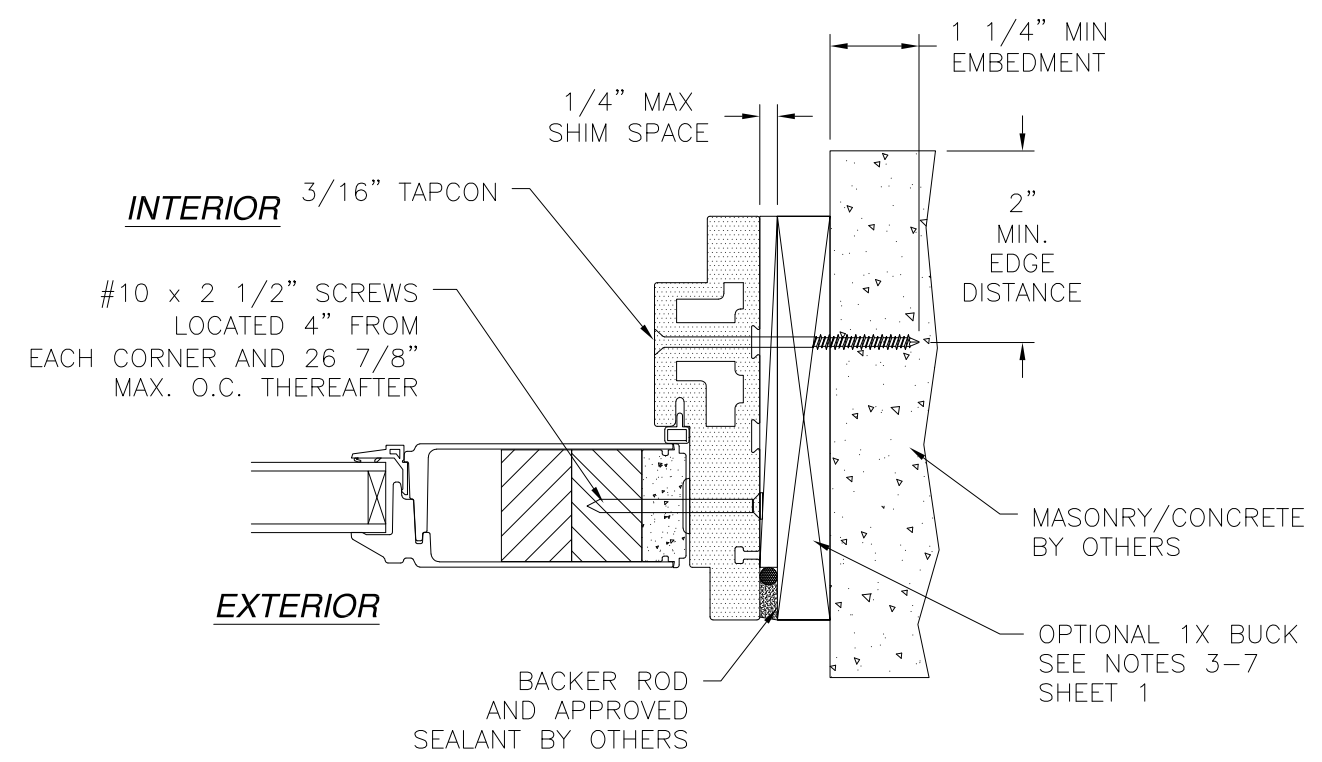
REVISIONS			
REV	DESCRIPTION	DATE	APPROVED



**EXTERIOR**                      **INTERIOR**



**SIDELITE VERTICAL CROSS SECTION**  
MASONRY/CONCRETE INSTALLATION



**SIDELITE HORIZONTAL CROSS SECTION**  
MASONRY/CONCRETE INSTALLATION

- NOTES:**
1. INTERIOR AND EXTERIOR FINISHES, BY OTHERS, NOT SHOWN FOR CLARITY.
  2. PERIMETER AND JOINT SEALANT BY OTHERS TO BE DESIGNED IN ACCORDANCE WITH ASTM E2112

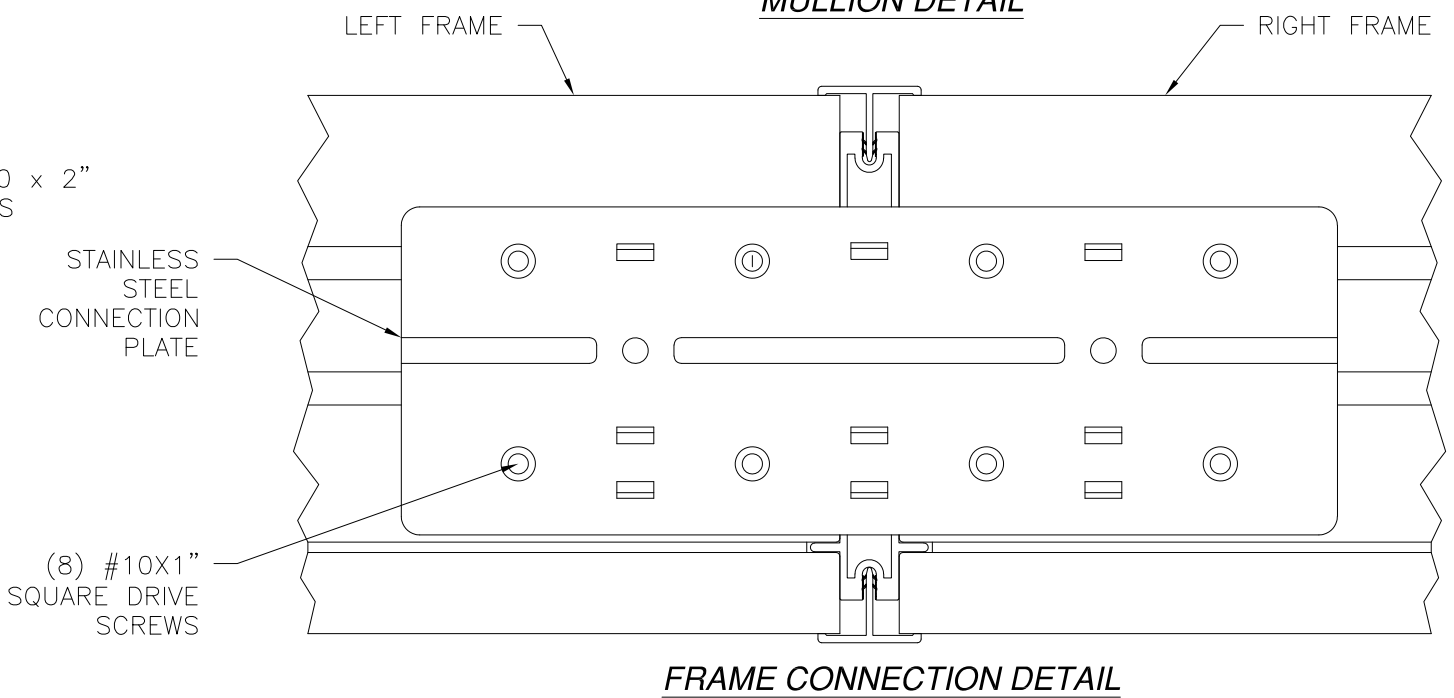
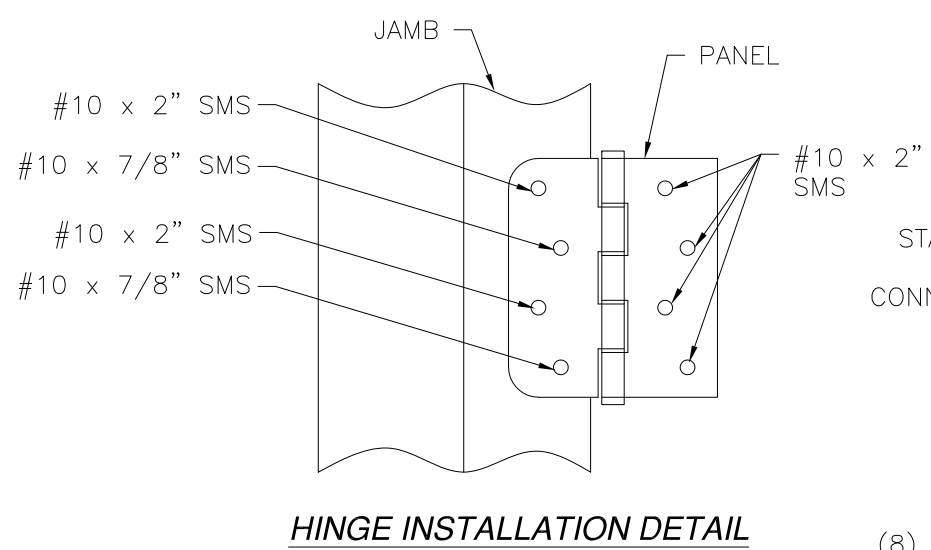
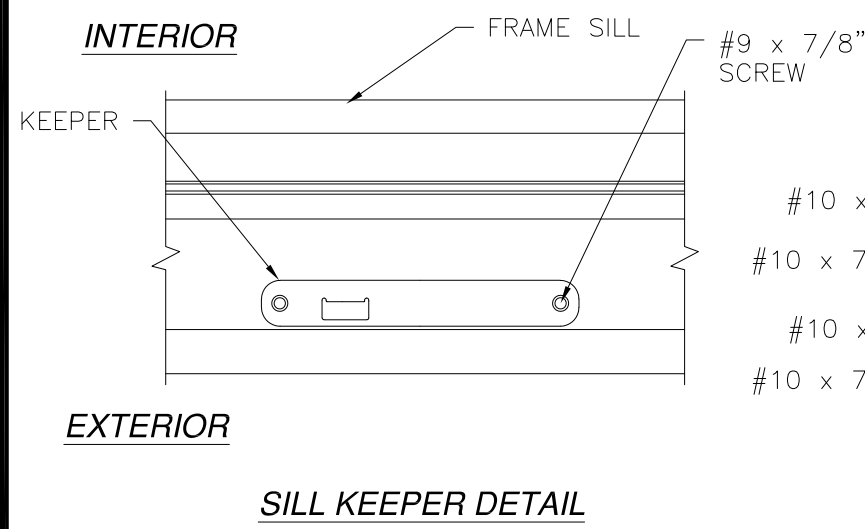
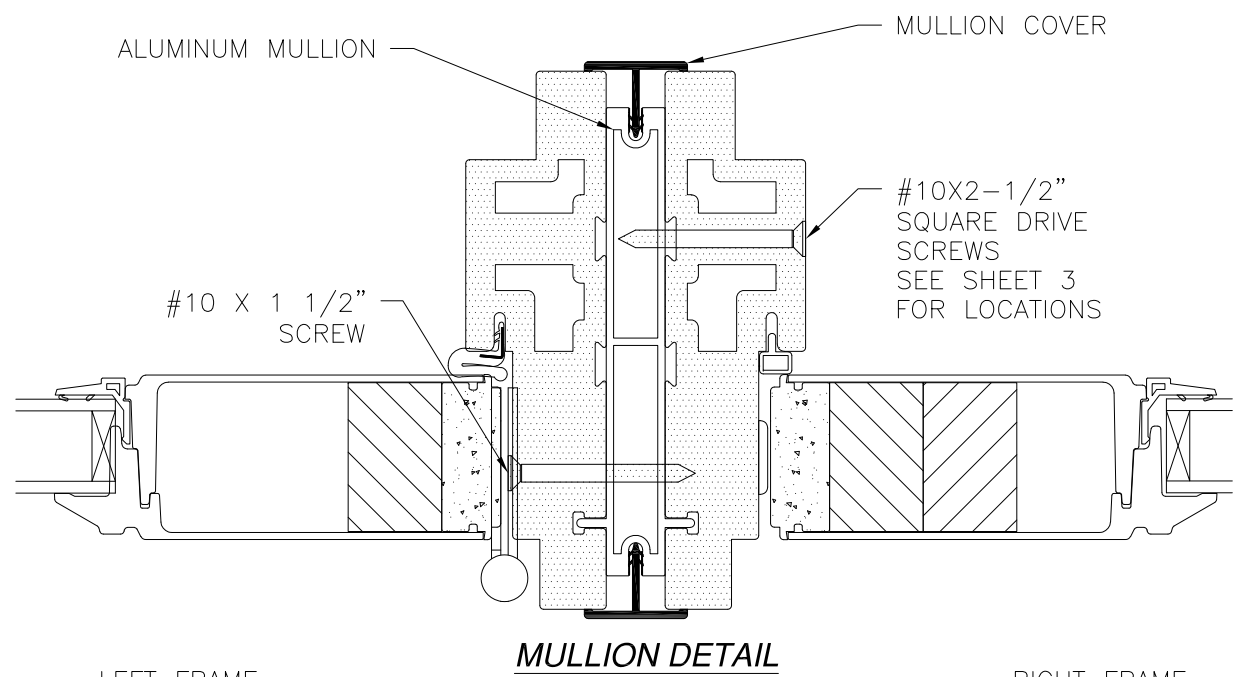
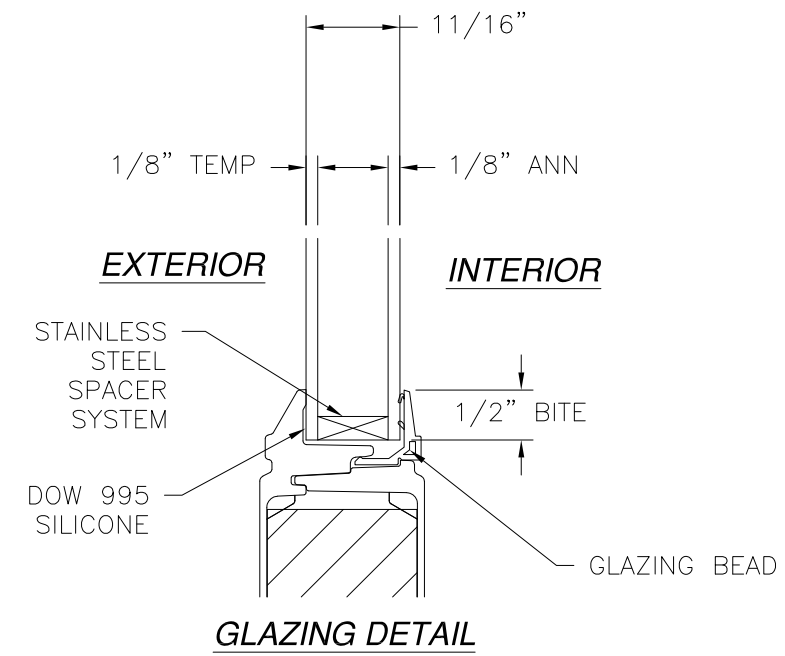
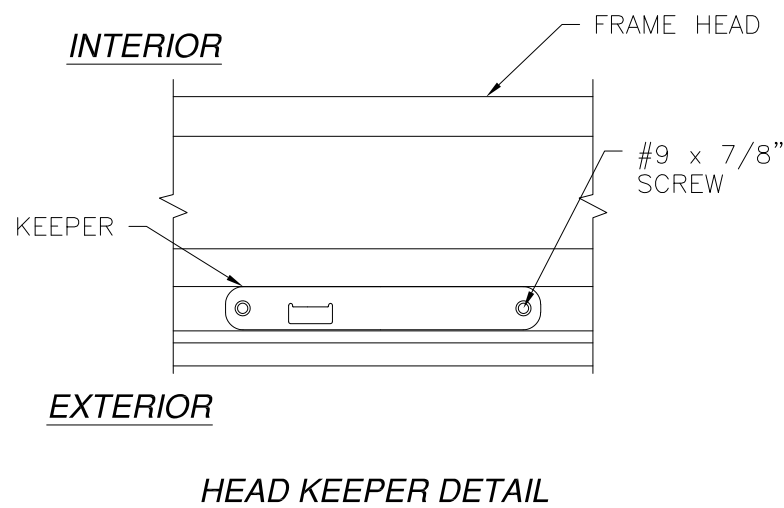
SIGNED: 04/23/2019

<p>NAN YA PLASTICS CORP. USA 8989 NORTH LOOP EAST HOUSTON, TX 77029</p>		
<p>OUT-SWING PATIO DOOR W/SIDELITES FIBERGLASS GLAZED NON-IMPACT SIDELITE INSTALLATION DETAILS</p>		
<p>DRAWN: A.R.</p>	<p>DWG NO. 08-03410</p>	<p>REV -</p>
<p>SCALE NTS</p>	<p>DATE 04/10/19</p>	<p>SHEET 11 OF 13</p>
<p>L. ROBERTO LOMAS P.E. 1432 WOODFORD RD LEWISVILLE, NC 27023 434-688-0609 rllomas@lrlomaspe.com</p>		



Luis R. Lomas P.E.  
TX No.: 101889

REVISIONS			
REV	DESCRIPTION	DATE	APPROVED



SIGNED: 04/23/2019

NAN YA PLASTICS CORP. USA  
8989 NORTH LOOP EAST  
HOUSTON, TX 77029

OUT-SWING PATIO DOOR W/SIDELITES  
FIBERGLASS GLAZED NON-IMPACT  
INSTALLATION DETAILS

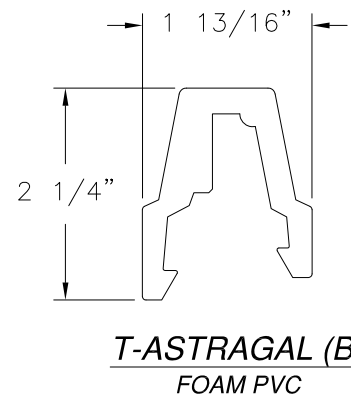
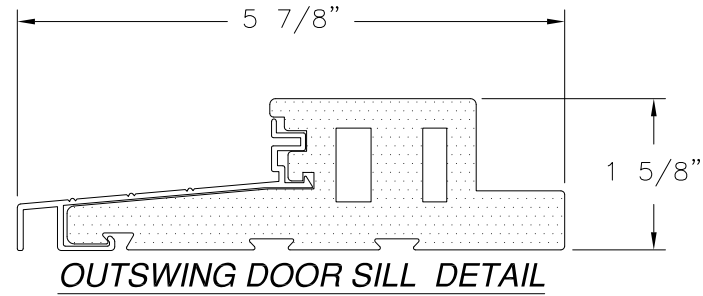
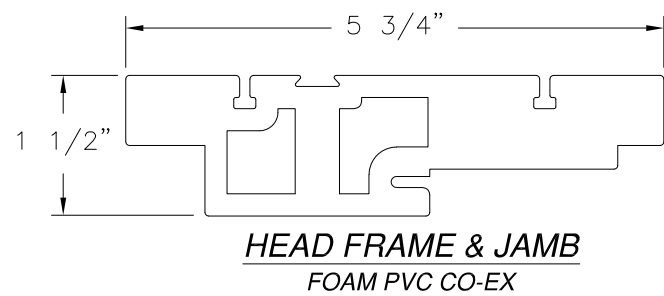


<u>HARDWARE SCHEDULE</u>	
A.	(3) 4" BUTT HINGE
B.	3 POINT LOCK SYSTEM (ACTIVE PANEL)
C.	RIGID PVC ASTRAGAL WITH ALUMINUM REINFORCEMENT

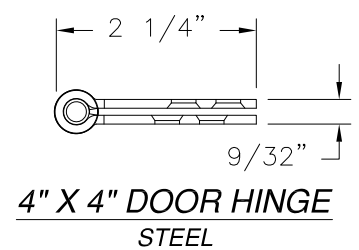
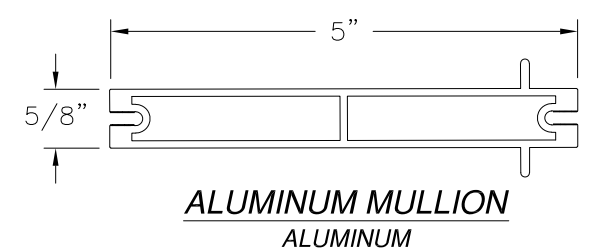
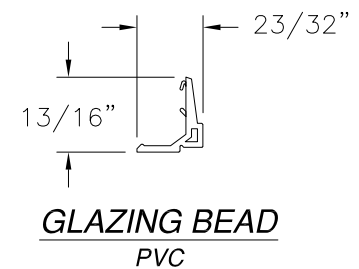
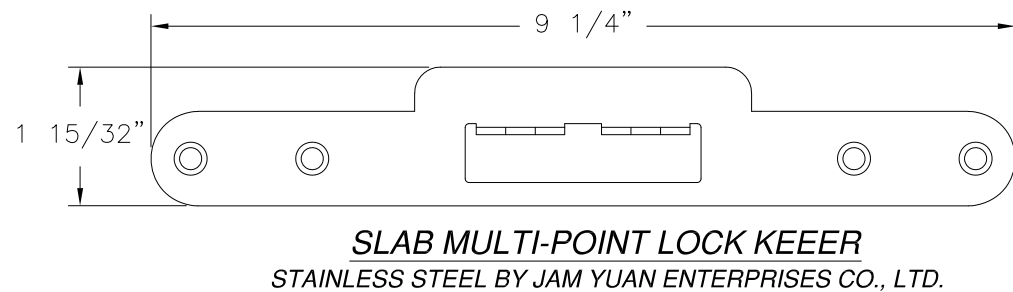
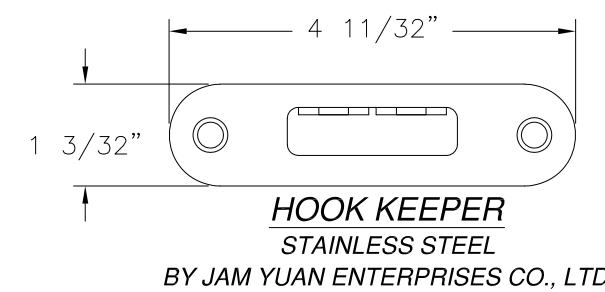
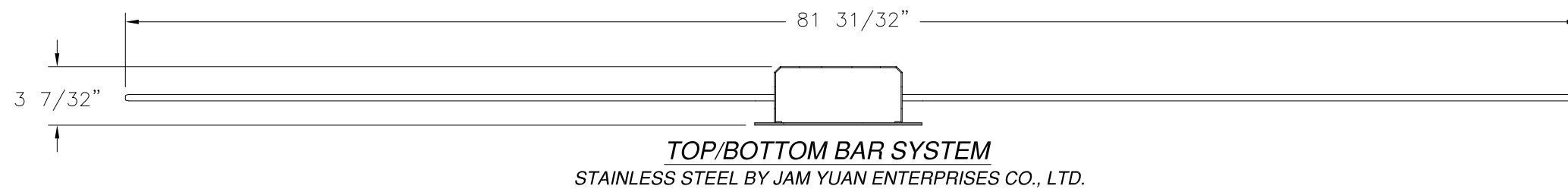
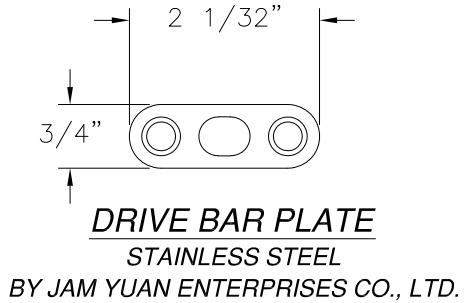
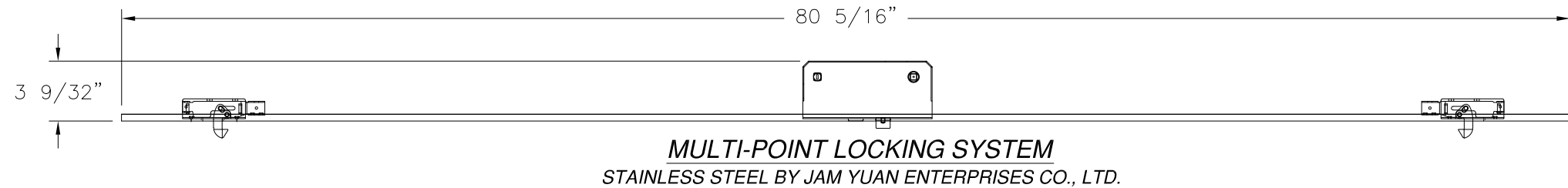
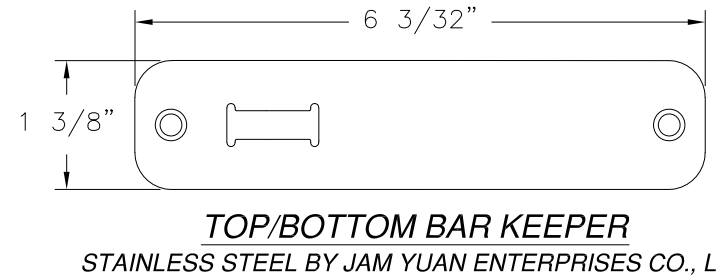
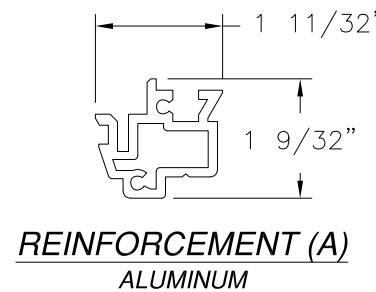
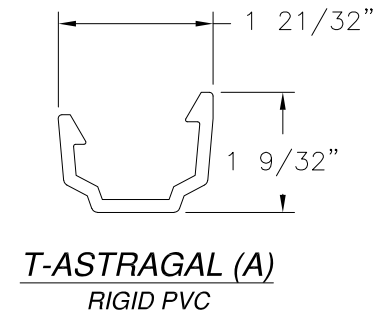
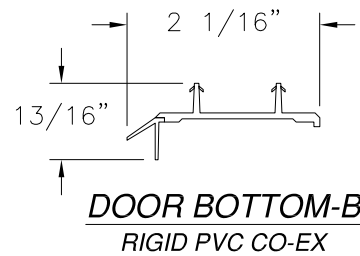
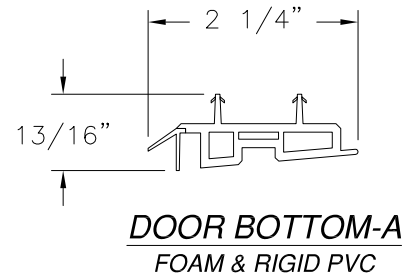
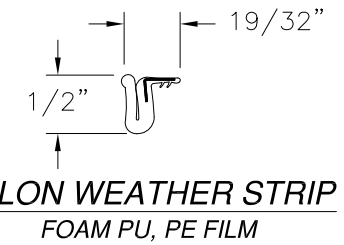
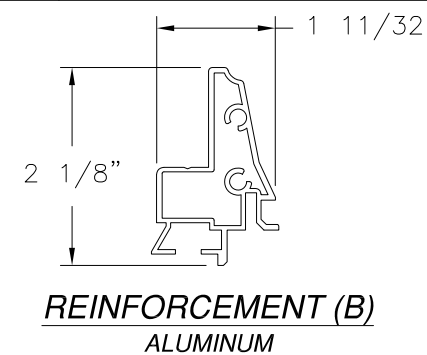
DRAWN: A.R.	DWG NO. 08-03410	REV -
SCALE NTS	DATE 04/10/19	SHEET 12 OF 13

L. ROBERTO LOMAS P.E.  
1432 WOODFORD RD LEWISVILLE, NC 27023  
434-688-0609 rllomas@rlomaspe.com

Luis R. Lomas P.E.  
TX No.: 101889



REVISIONS			
REV	DESCRIPTION	DATE	APPROVED



SIGNED: 04/23/2019

NAN YA PLASTICS CORP. USA  
8989 NORTH LOOP EAST  
HOUSTON, TX 77029

OUT-SWING PATIO DOOR W/SIDELITES  
FIBERGLASS GLAZED NON-IMPACT  
COMPONENTS

DRAWN: A.R.	DWG NO. 08-03410	REV -
SCALE NTS	DATE 04/10/19	SHEET 13 OF 13

L. ROBERTO LOMAS P.E.  
1432 WOODFORD RD LEWISVILLE, NC 27023  
434-688-0609 rllomas@lrlomaspe.com



Luis R. Lomas P.E.  
TX No.: 101889