

REVISIONS			
REV	DESCRIPTION	DATE	APPROVED
A	REVISED PER NEW STANDARDS	08/03/2020	R.L.

NOTES:

1. THE PRODUCT SHOWN HEREIN IS DESIGNED AND MANUFACTURED TO COMPLY WITH REQUIREMENTS OF THE 2018 IBC AND 2018 IRC.
2. WOOD FRAMING AND MASONRY OPENING TO BE DESIGNED AND ANCHORED TO PROPERLY TRANSFER ALL LOADS TO STRUCTURE. FRAMING AND MASONRY OPENING IS THE RESPONSIBILITY OF THE ARCHITECT OR ENGINEER OF RECORD.
3. 1X BUCK OVER MASONRY/CONCRETE IS OPTIONAL.
4. WHERE SHIM OR BUCK THICKNESS IS LESS THAN 1-1/2" UNITS MUST BE ANCHORED THROUGH THE FRAME IN ACCORDANCE WITH MANUFACTURER'S PUBLISHED INSTALLATION INSTRUCTIONS. ANCHORS SHALL BE SECURELY FASTENED DIRECTLY INTO MASONRY, CONCRETE OR OTHER STRUCTURAL SUBSTRATE MATERIAL.
5. WHERE WOOD BUCK THICKNESS IS 1-1/2" OR GREATER, BUCK SHALL BE SECURELY FASTENED TO MASONRY, CONCRETE OR OTHER STRUCTURAL SUBSTRATE. UNITS MAY BE ANCHORED THROUGH FRAME TO SECURED WOOD BUCK IN ACCORDANCE WITH MANUFACTURER'S PUBLISHED INSTALLATION INSTRUCTIONS.
6. WHERE 1X BUCK IS NOT USED DISSIMILAR MATERIALS MUST BE SEPARATED WITH APPROVED COATING OR MEMBRANE. SELECTION OF COATING OR MEMBRANE IS THE RESPONSIBILITY OF THE ARCHITECT OR ENGINEER OF RECORD.
7. BUCKS SHALL EXTEND BEYOND UNIT FRAME INTERIOR FACE SO THAT FULL FRAME SUPPORT IS PROVIDED.
8. SHIM AS REQUIRED AT EACH ANCHOR LOCATION WITH LOAD BEARING SHIM. SHIM WHERE SPACE OF 1/16" OR GREATER OCCURS. MAXIMUM ALLOWABLE SHIM STACK TO BE 1/4".
9. SHIMS SHALL BE LOCATED, APPLIED AND MADE FROM MATERIALS AND THICKNESS CAPABLE OF SUSTAINING APPLICABLE LOADS.
10. WIND LOAD DURATION FACTOR Cd=1.6 WAS USED FOR WOOD ANCHOR CALCULATIONS.
11. FRAME JAMB AND HEAD MATERIAL: CO-EXTRUDED PVC FOAM 1 1/2" THICK.
12. FRAME SILL MATERIAL: CO-EXTRUDED PVC FOAM 2" THICK WITH ALUMINUM CLADDING .063" THICK.
13. DOOR PANEL AND SIDELITE MATERIAL: .075" THICK FIBERGLASS SKIN WITH PVC FOAM TOP AND BOTTOM RAILS, AND PVC FOAM VERTICAL STILES WITH PINE REINFORCEMENTS AND POLYURETHANE FOAM CORE.
14. UNITS MUST BE GLAZED PER ASTM E1300, WITH SAFETY GLAZING.

15. APPROVED IMPACT PROTECTIVE SYSTEM IS REQUIRED FOR THIS PRODUCT IN WIND BORNE DEBRIS REGIONS.
16. FOR ANCHORING THROUGH FRAME INTO WOOD FRAMING OR 2X BUCK USE #10 WOOD SCREWS WITH SUFFICIENT LENGTH TO ACHIEVE A 1 3/8" MINIMUM EMBEDMENT INTO SUBSTRATE. LOCATE ANCHORS AS SHOWN IN ELEVATIONS AND INSTALLATION DETAILS.
17. FOR ANCHORING THROUGH FRAME INTO MASONRY/CONCRETE USE 3/16" TAPCON WITH SUFFICIENT LENGTH TO ACHIEVE A 1 1/4" MINIMUM EMBEDMENT INTO SUBSTRATE WITH 2" MINIMUM EDGE DISTANCE. LOCATE ANCHORS AS SHOWN IN ELEVATIONS AND INSTALLATION DETAILS.
18. FOR ANCHORING THROUGH FRAME INTO METAL STRUCTURE USE #10 SMS OR SELF DRILLING SCREWS WITH SUFFICIENT LENGTH TO ACHIEVE 3 THREADS MINIMUM BEYOND STRUCTURE INTERIOR WALL. LOCATE ANCHORS AS SHOWN IN ELEVATIONS AND INSTALLATION DETAILS.
19. ALL FASTENERS TO BE CORROSION RESISTANT.
20. INSTALLATION ANCHORS SHALL BE INSTALLED IN ACCORDANCE WITH ANCHOR MANUFACTURER'S INSTALLATION INSTRUCTIONS AND ANCHORS SHALL NOT BE USED IN SUBSTRATES WITH STRENGTHS LESS THAN THE MINIMUM STRENGTH SPECIFIED BELOW:
 - A. WOOD: MINIMUM SPECIFIC GRAVITY OF G=0.42
 - B. CONCRETE: MINIMUM COMPRESSIVE STRENGTH OF 2,000 PSI.
 - C. MASONRY: HOLLOW/FILLED BLOCK PER ASTM C90 WITH Fm=2,000PSI MINIMUM.
 - D. METAL STRUCTURE: STEEL 18GA (.048") FY=33KSI/FU=52KSI OR ALUMINUM 6063-T5 FU=30KSI .125" THICK MINIMUM
21. APPROVED CONFIGURATIONS: O, X, OX, XO, XX, OXO, XXO, OXX AND OXXO. SEE SHEET 3.
22. HINGES LOCATED AT 8", 33 1/2", 59" AND 84 1/2" FROM BOTTOM OF PANEL.

TABLE OF CONTENTS	
SHEET NO.	DESCRIPTION
1	NOTES
2	ELEVATION
3	APPROVED CONFIGURATIONS
4 - 5	ANCHORING LAYOUTS
6 - 12	INSTALLATION DETAILS
13	COMPONENTS

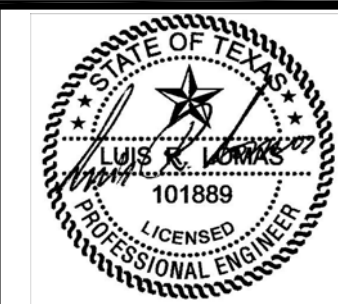
NAN YA PLASTICS CORP. USA
8989 NORTH LOOP EAST
HOUSTON, TX 77029

SERIES IN-SWING PATIO DOOR
W/ & W/O SIDELITES NON-IMPACT
NOTES

DRAWN: A.R.	DWG NO. 08-03411	REV A
SCALE NTS	DATE 04/10/19	SHEET 1 OF 13

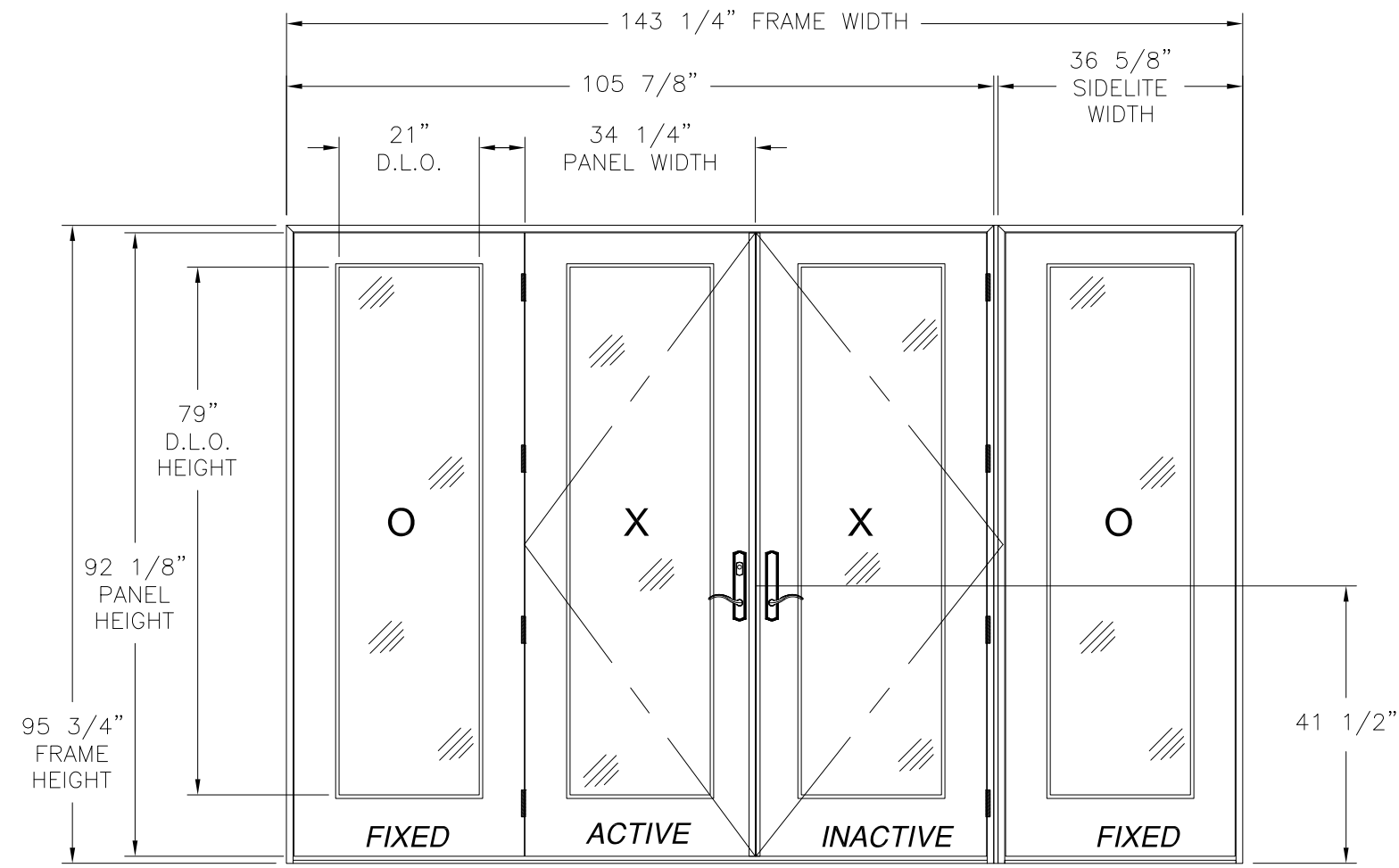
L. ROBERTO LOMAS P.E.
1432 WOODFORD RD LEWISVILLE, NC 27023
434-688-0609 rllomas@rlomaspe.com

SIGNED: 02/18/2021



Luis R. Lomas P.E.
TX No.: 101889

REVISIONS			
REV	DESCRIPTION	DATE	APPROVED
A	REVISED PER NEW STANDARDS	08/03/2020	R.L.



**SERIES IN-SWING PATIO DOOR
DOUBLE DOOR W/ SIDELITES
EXTERIOR VIEW**

DESIGN PRESSURE RATING	IMPACT RATING
±40.0PSF	NONE

34 1/4" X 92 1/8" PANELS SHOWN. OTHER PANEL SIZES ARE APPROVED
AS LONG AS PANEL AREA DOES NOT EXCEED 21.91 FT²

HARDWARE SCHEDULE

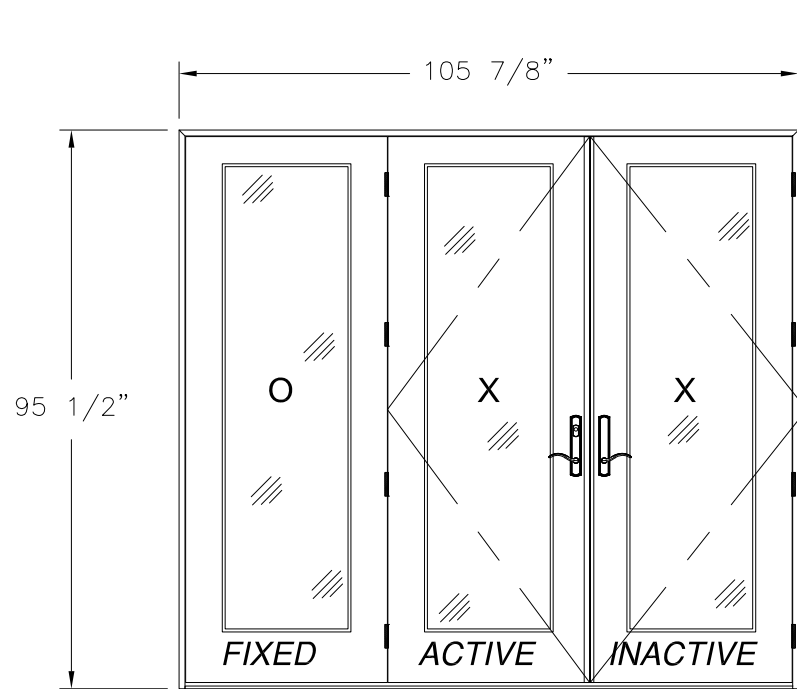
A.	(4) 4" LONG FLUSH MOUNT METALLIC BUTT HINGE, 8", 33 1/2", 59" AND 84 1/2" FROM BOTTOM AT LEFT PANEL HINGE STILE
B.	(4) 4" LONG FLUSH MOUNT METALLIC BUTT HINGE, 8", 33 1/2", 59" AND 84 1/2" FROM BOTTOM AT RIGHT PANEL HINGE STILE
C.	(1) SURFACE MOUNT METALLIC TWO POINT LOCK SYSTEM, 38" FROM BOTTOM AT INACTIVE PANEL LOCKSTILE
D.	(1) SURFACE MOUNT METALLIC FOUR POINT LOCK SYSTEM, 38" FROM BOTTOM AT ACTIVE PANEL LOCKSTILE
E.	(2) SURFACE MOUNT METALLIC STRIKE PLATE, 70" FROM LEFT AT FRAME HEAD AND THRESHOLD
F.	(2) SURFACE MOUNT METALLIC STRIKE PLATE, 5" AND 83" FROM BOTTOM AT INACTIVE PANEL LOCKSTILE
G.	(1) SURFACE MOUNT METALLIC STRIKE PLATE, 38" FROM BOTTOM AT INACTIVE PANEL LOCKSTILE

SIGNED: 02/18/2021

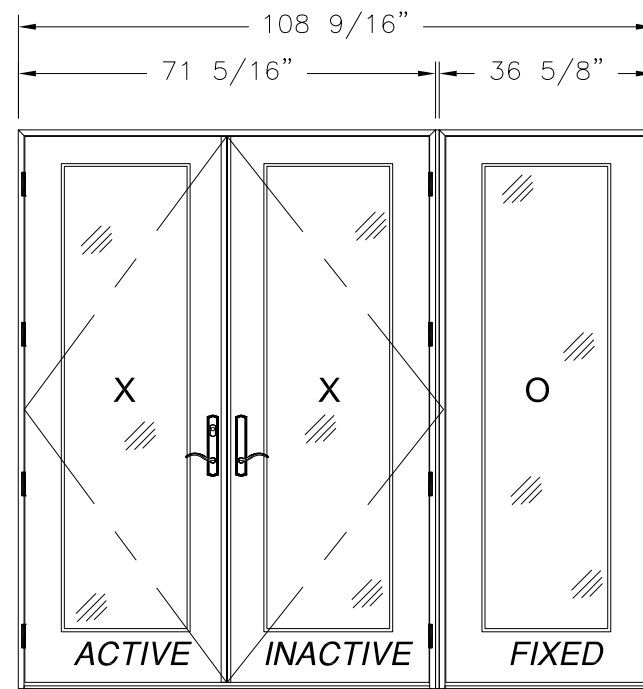
NAN YA PLASTICS CORP. USA 8989 NORTH LOOP EAST HOUSTON, TX 77029		
SERIES IN-SWING PATIO DOOR W/ & W/O SIDELITES NON-IMPACT ELEVATION		
DRAWN: A.R.	DWG NO. 08-03411	REV A
SCALE NTS	DATE 04/10/19	SHEET 2 OF 13
L. ROBERTO LOMAS P.E. 1432 WOODFORD RD LEWISVILLE, NC 27023 434-688-0609 rllomas@lrlomaspe.com		



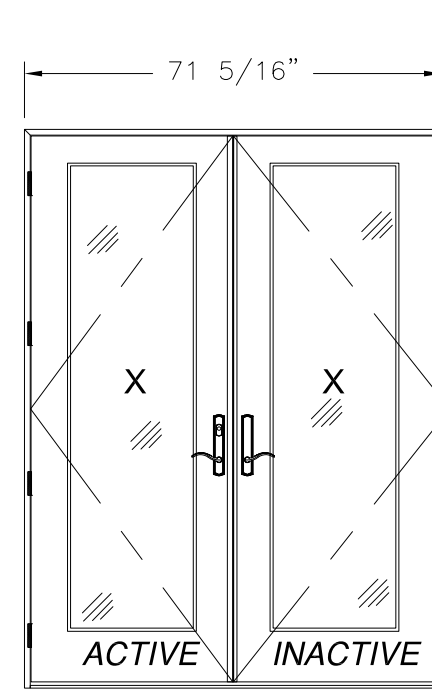
Luis R. Lomas P.E.
TX No.: 101889



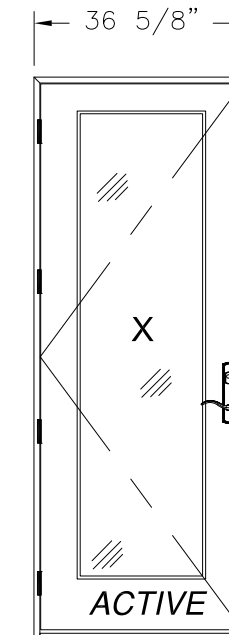
DOUBLE W/SIDELITE
EXTERIOR VIEW



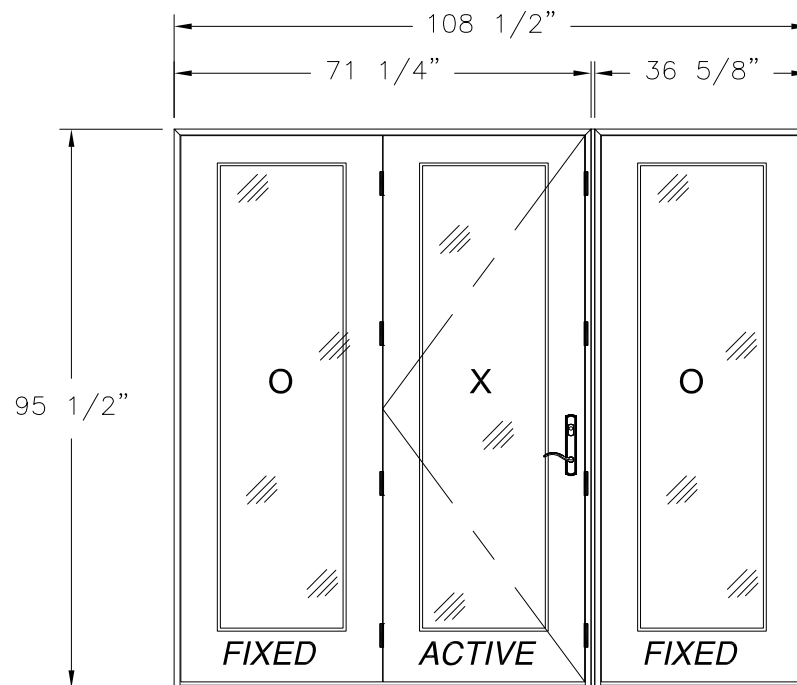
DOUBLE W/SIDELITE (MULL)
EXTERIOR VIEW



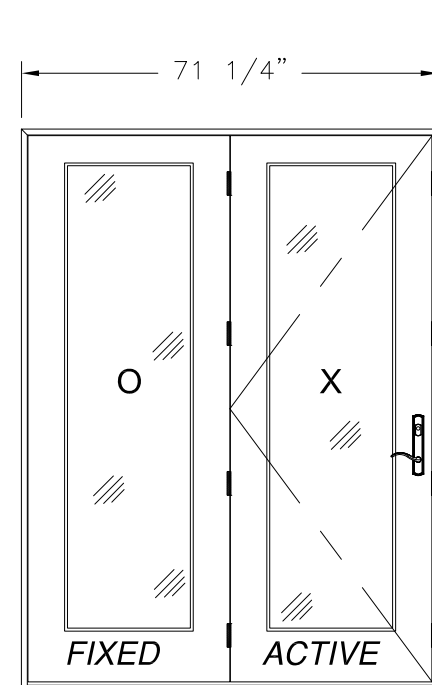
DOUBLE
EXTERIOR VIEW



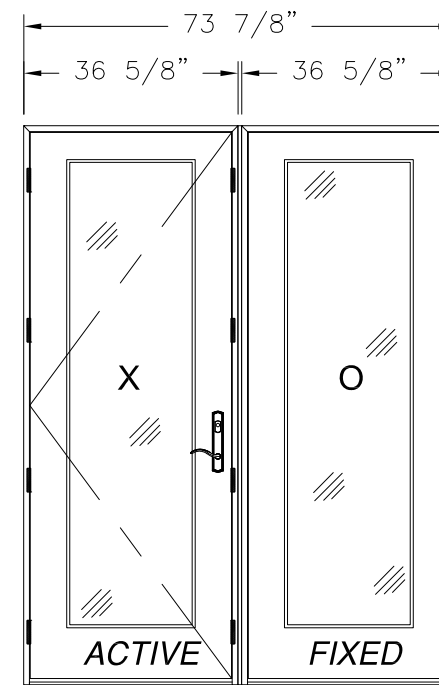
SINGLE
EXTERIOR VIEW



SINGLE W/SIDELITE (MULL)
EXTERIOR VIEW



SINGLE W/SIDELITE
EXTERIOR VIEW



SINGLE W/SIDELITE (MULL)
EXTERIOR VIEW

REVISIONS			
REV	DESCRIPTION	DATE	APPROVED
A	REVISED PER NEW STANDARDS	08/03/2020	R.L.

NOTE:
ALL APPROVED CONFIGURATIONS ARE SHOWN AS LEFT HAND ACTIVE, RIGHT HAND ACTIVE IS ALSO APPROVED.

HARDWARE SCHEDULE	
A.	2 POINT LOCK BY NINGBO MICOTA (INACTIVE PANEL)
B.	4 POINT LOCK BY NINGBO MICOTA (ACTIVE PANEL)
C.	(4) 4"x4" BUTT HINGES BY WENZHOU LONGTAI (PER PANEL)
D.	ALUMINUM & PVC FOAM ASTRAGAL BY NAN YA PLASTICS
E.	ALUMINUM & PVC FOAM MULLION BY NAN YA PLASTICS

NAN YA PLASTICS CORP. USA
8989 NORTH LOOP EAST
HOUSTON, TX 77029

SERIES IN-SWING PATIO DOOR
W/ & W/O SIDELITES NON-IMPACT
APPROVED CONFIGURATIONS

DRAWN: A.R.	DWG NO. 08-03411	REV A
SCALE NTS	DATE 04/10/19	SHEET 3 OF 13

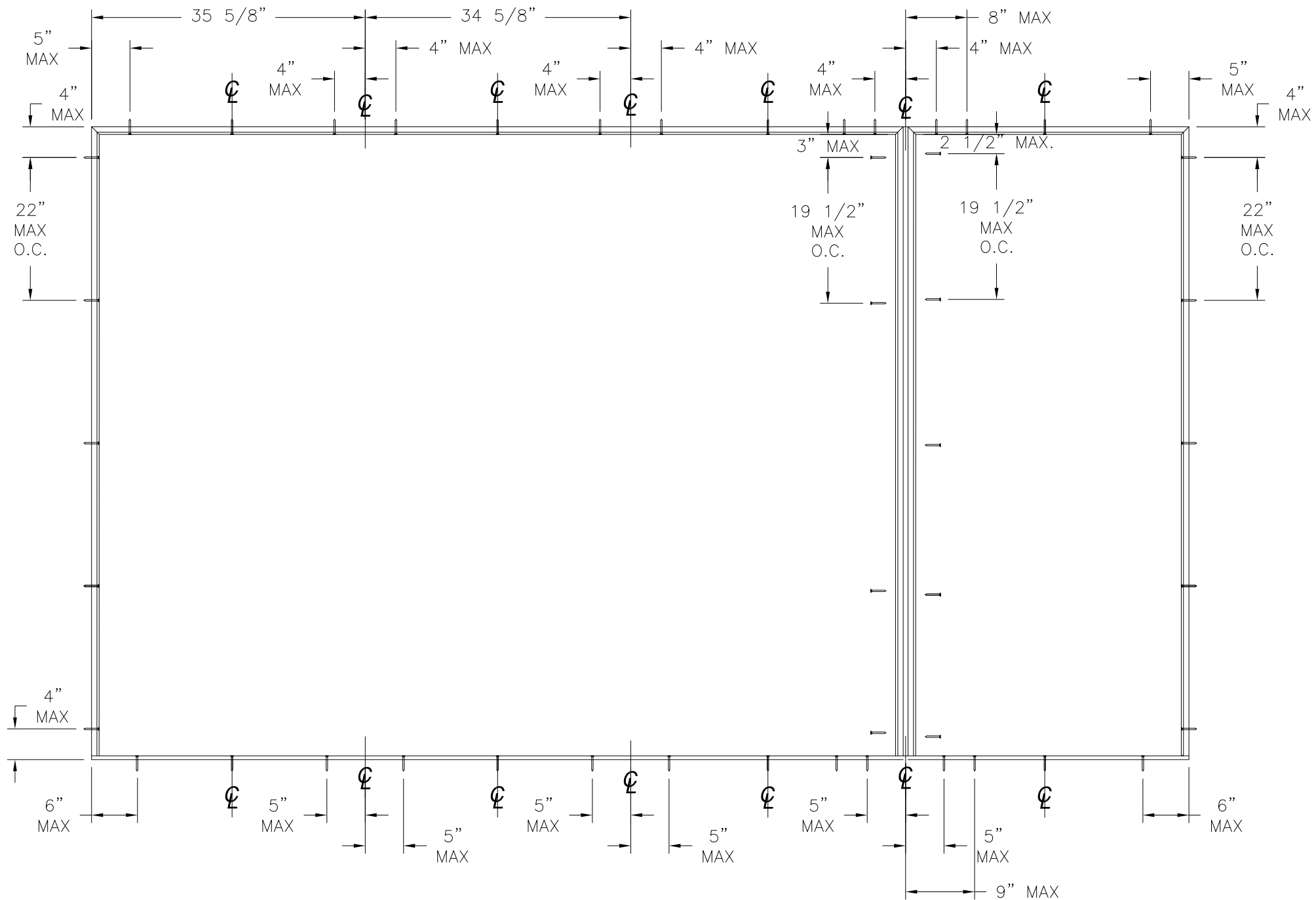
L. ROBERTO LOMAS P.E.
1432 WOODFORD RD LEWISVILLE, NC 27023
434-688-0609 rllomas@lrlomaspe.com

SIGNED: 02/18/2021



Luis R. Lomas P.E.
TX No.: 101889

REVISIONS			
REV	DESCRIPTION	DATE	APPROVED
A	REVISED PER NEW STANDARDS	08/03/2020	R.L.



ANCHORING LAYOUT

SIGNED: 02/18/2021

NAN YA PLASTICS CORP. USA
 8989 NORTH LOOP EAST
 HOUSTON, TX 77029

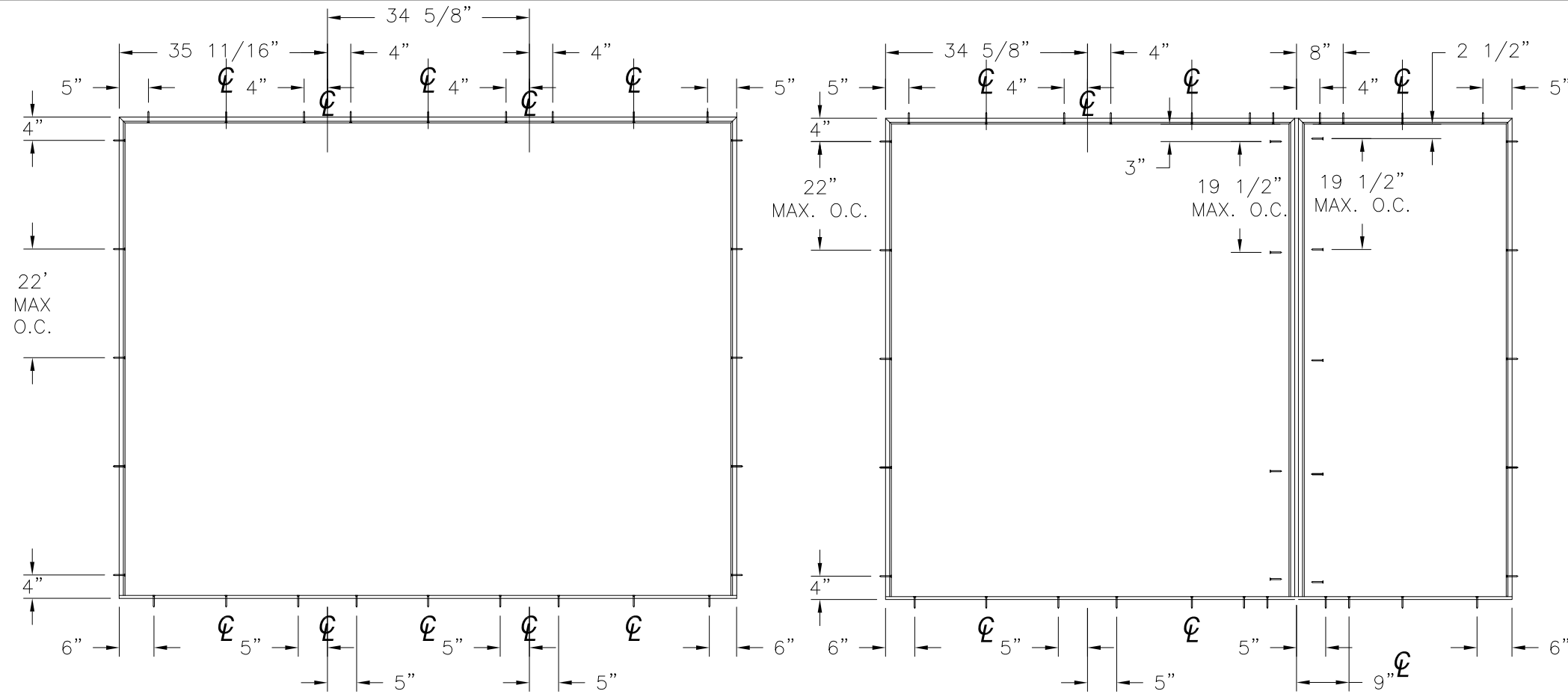
SERIES IN-SWING PATIO DOOR
 W/ & W/O SIDELITES NON-IMPACT
 ANCHORING LAYOUT

DRAWN: A.R.	DWG NO. 08-03411	REV A
SCALE NTS	DATE 04/10/19	SHEET 4 OF 13

L. ROBERTO LOMAS P.E.
 1432 WOODFORD RD LEWISVILLE, NC 27023
 434-688-0609 rllomas@rlomaspe.com



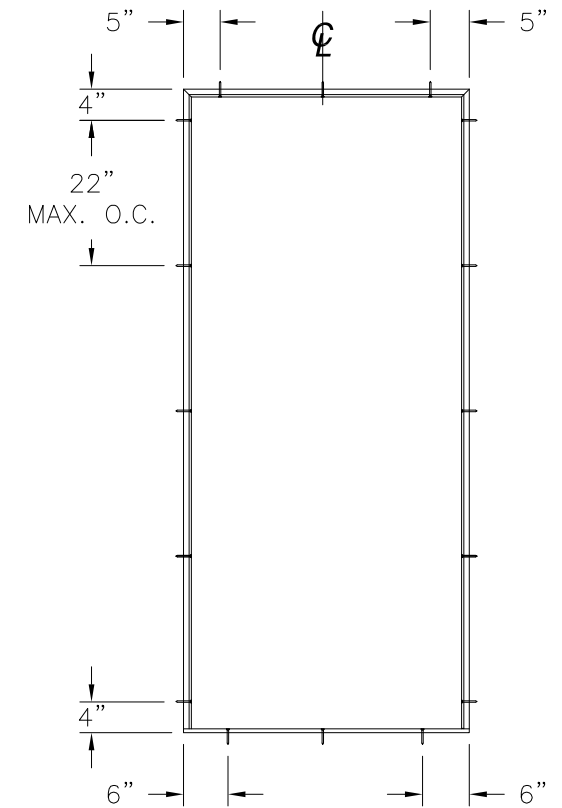
Luis R. Lomas P.E.
 TX No.: 101889



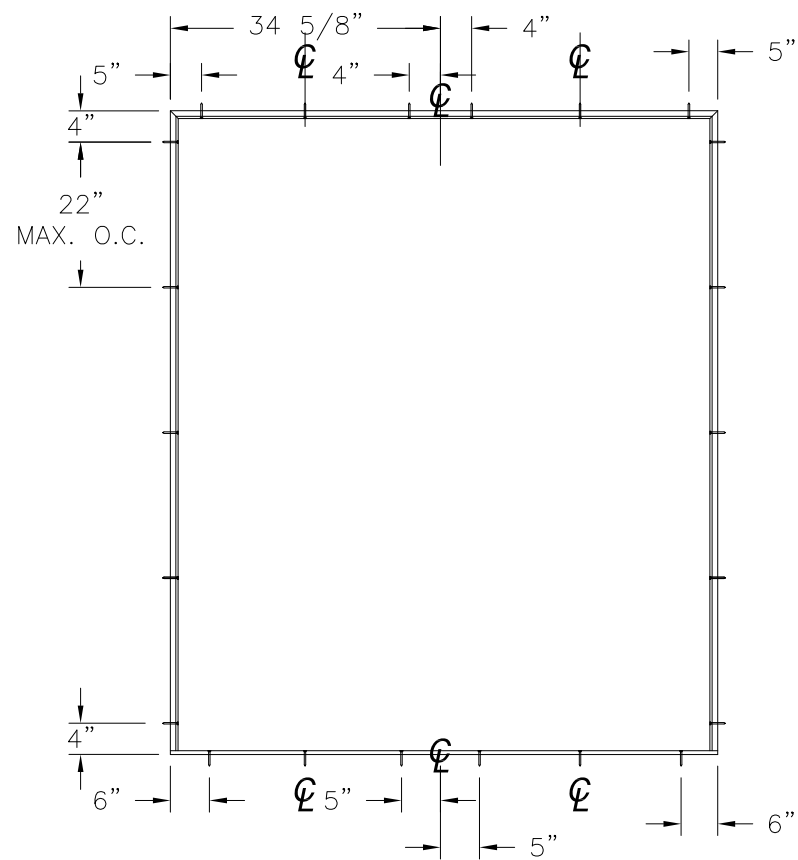
ANCHORING LAYOUT FOR OXO, XXO AND OXX

ANCHORING LAYOUT FOR OXO, XXO AND OXX (MULL)

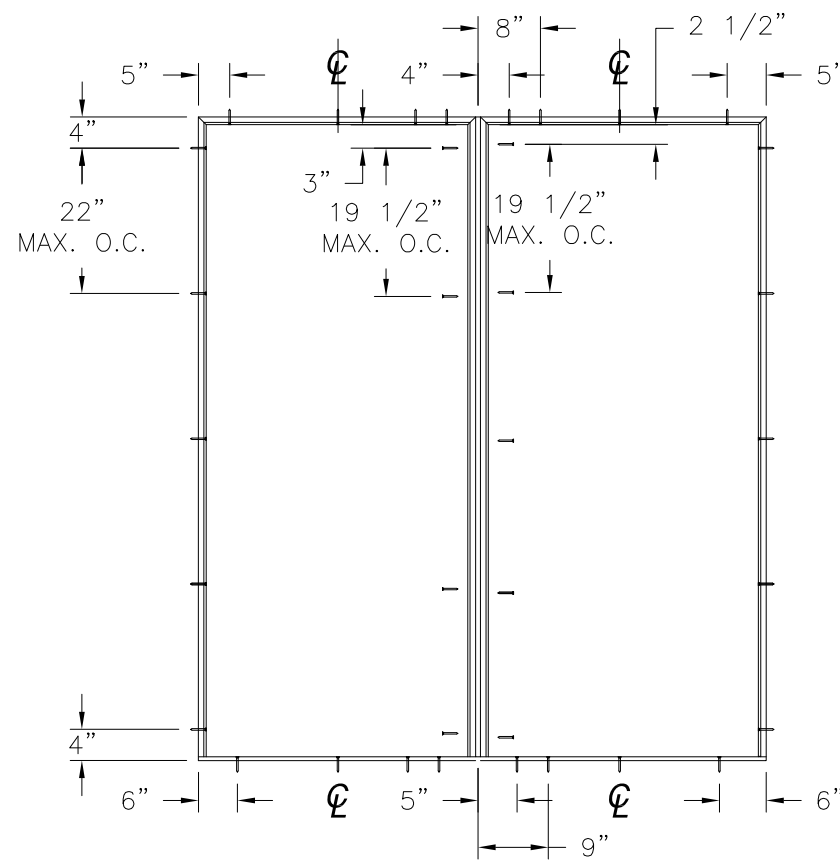
REVISIONS			
REV	DESCRIPTION	DATE	APPROVED
A	REVISED PER NEW STANDARDS	08/03/2020	R.L.



ANCHORING LAYOUT FOR X



ANCHORING LAYOUT FOR XX, OX AND XO



ANCHORING LAYOUT FOR OX AND XO (MULL)

NAN YA PLASTICS CORP. USA
 8989 NORTH LOOP EAST
 HOUSTON, TX 77029

SERIES IN-SWING PATIO DOOR
 W/ & W/O SIDELITES NON-IMPACT
 ANCHORING LAYOUTS

DRAWN: A.R.	DWG NO. 08-03411	REV A
SCALE NTS	DATE 04/10/19	SHEET 5 OF 13

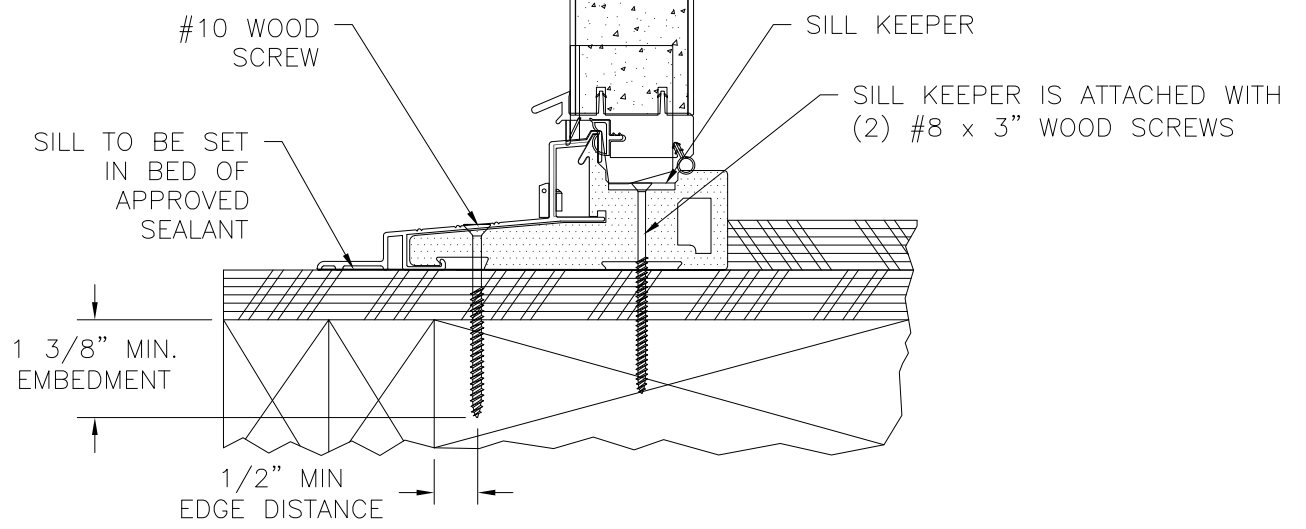
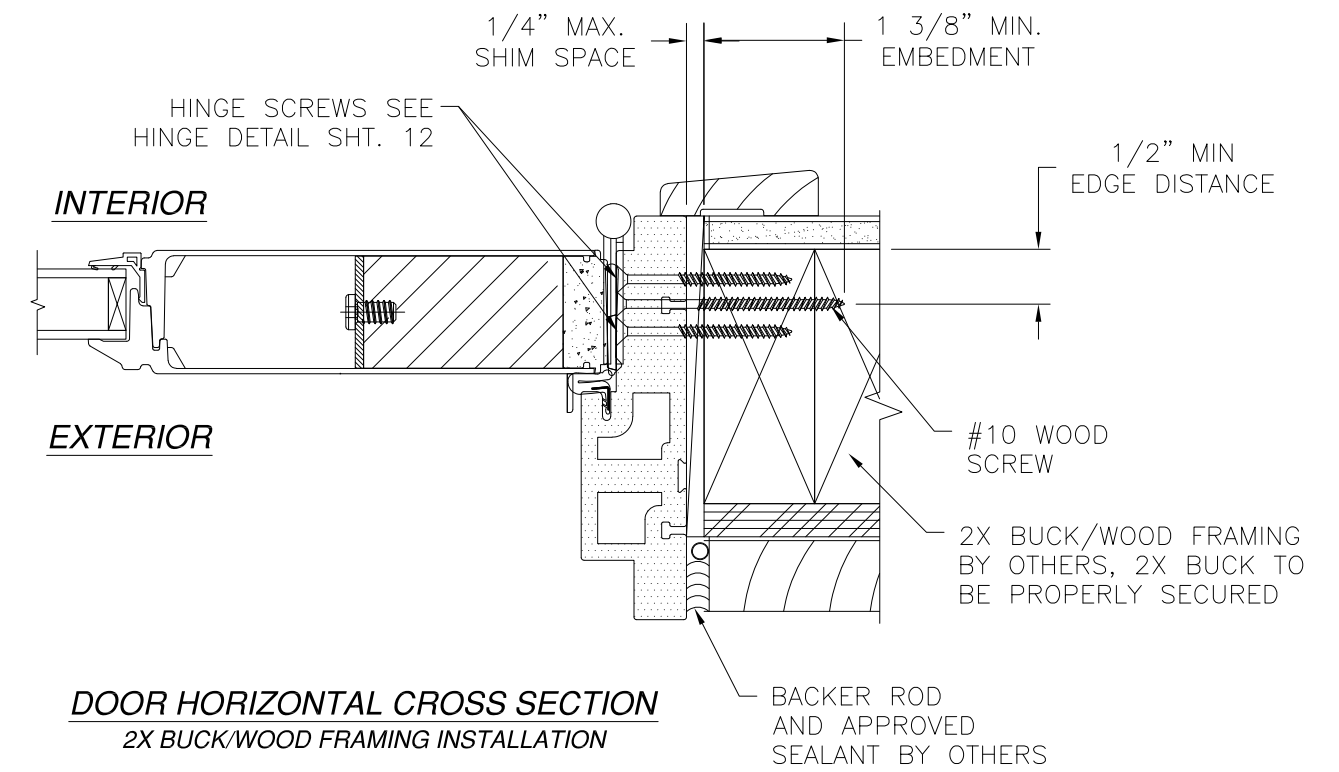
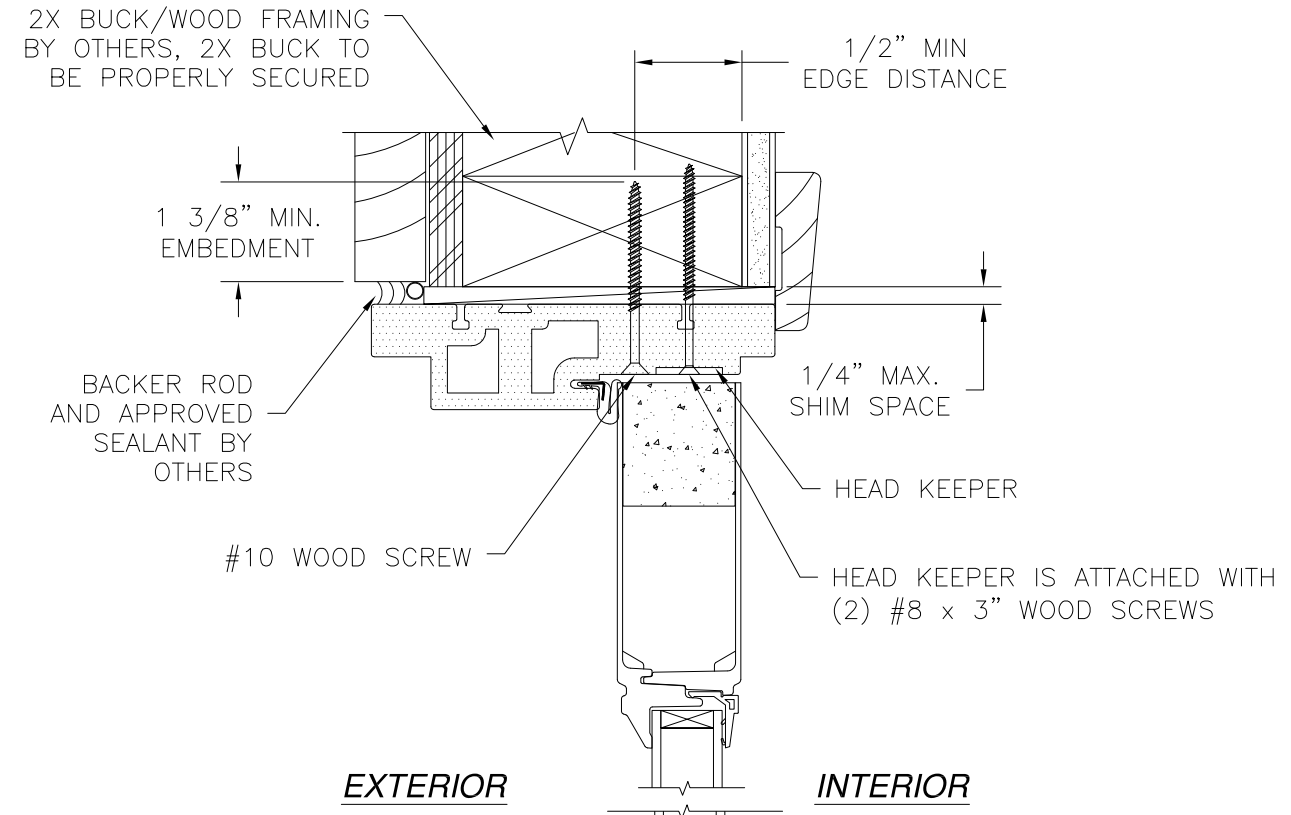
L. ROBERTO LOMAS P.E.
 1432 WOODFORD RD LEWISVILLE, NC 27023
 434-688-0609 rllomas@lrlomaspe.com

SIGNED: 02/18/2021



Luis R. Lomas P.E.
 TX No.: 101889

REVISIONS			
REV	DESCRIPTION	DATE	APPROVED
A	REVISED PER NEW STANDARDS	08/03/2020	R.L.



- NOTES:**
1. INTERIOR AND EXTERIOR FINISHES, BY OTHERS, NOT SHOWN FOR CLARITY.
 2. PERIMETER AND JOINT SEALANT BY OTHERS TO BE DESIGNED IN ACCORDANCE WITH ASTM E2112

SIGNED: 02/18/2021

NAN YA PLASTICS CORP. USA
 8989 NORTH LOOP EAST
 HOUSTON, TX 77029

SERIES IN-SWING PATIO DOOR
 W/ & W/O SIDELITES NON-IMPACT
 DOOR INSTALLATION DETAILS

DRAWN: A.R.	DWG NO. 08-03411	REV A
SCALE NTS	DATE 04/10/19	SHEET 6 OF 13

L. ROBERTO LOMAS P.E.
 1432 WOODFORD RD LEWISVILLE, NC 27023
 434-688-0609 rllomas@lrlomaspe.com

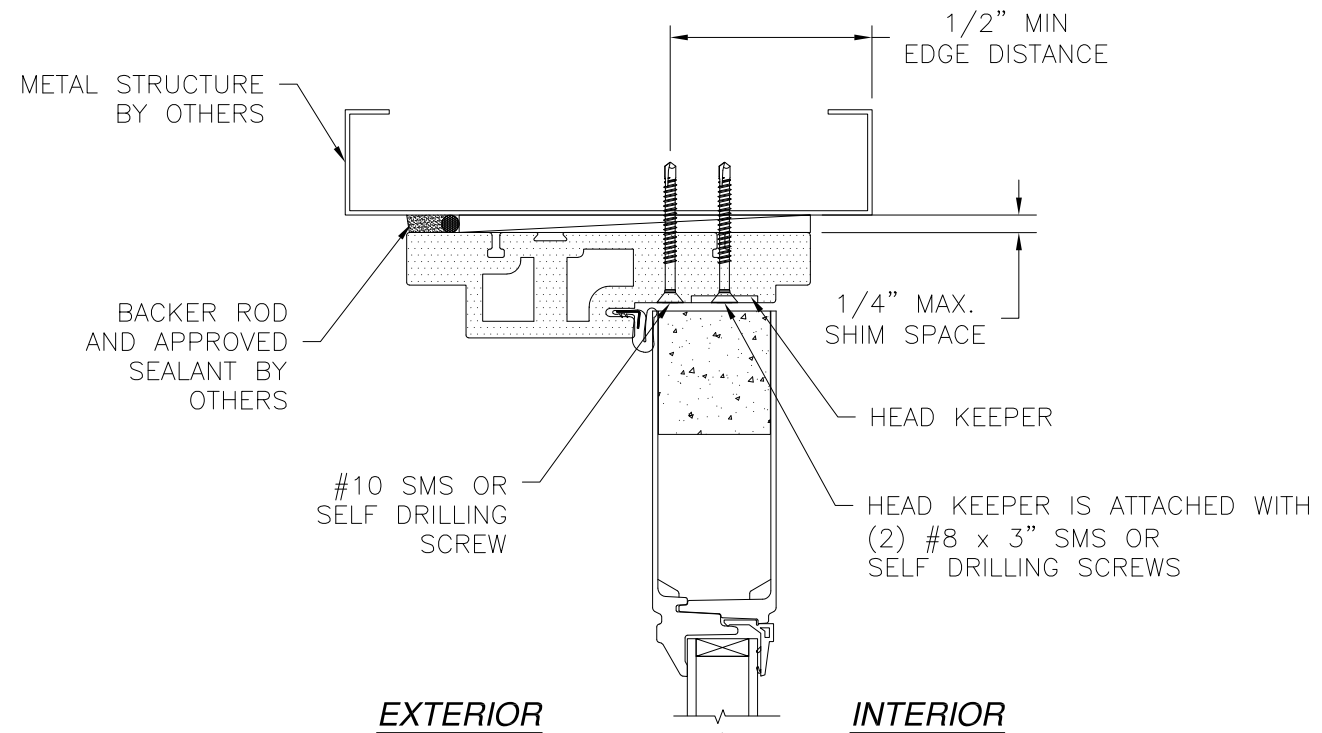


Luis R. Lomas P.E.
 TX No.: 101889

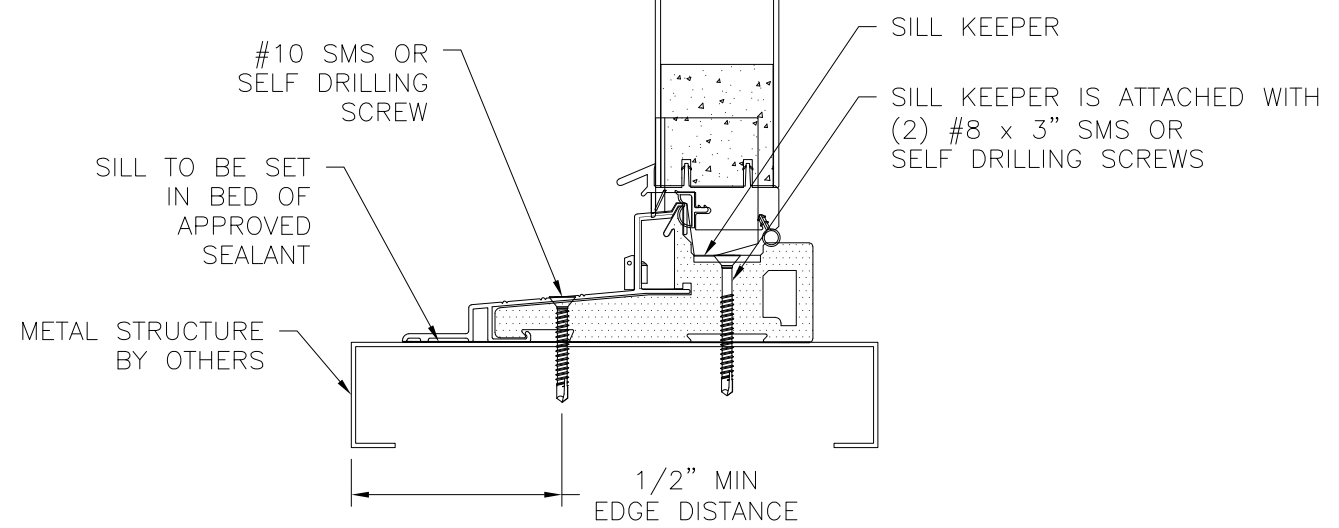
DOOR VERTICAL CROSS SECTION
 2X BUCK/WOOD FRAMING INSTALLATION

DOOR HORIZONTAL CROSS SECTION
 2X BUCK/WOOD FRAMING INSTALLATION

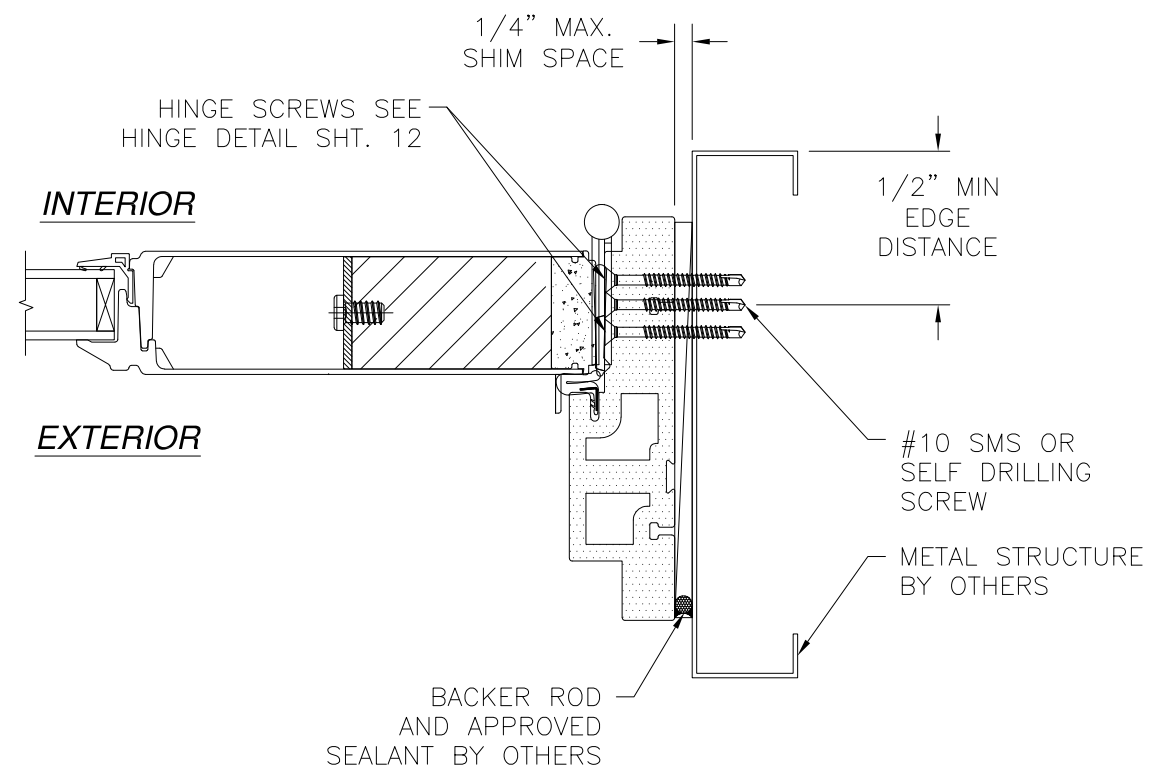
REVISIONS			
REV	DESCRIPTION	DATE	APPROVED
A	REVISED PER NEW STANDARDS	08/03/2020	R.L.



EXTERIOR **INTERIOR**



DOOR VERTICAL CROSS SECTION
METAL STRUCTURE INSTALLATION



DOOR HORIZONTAL CROSS SECTION
METAL STRUCTURE INSTALLATION

- NOTES:**
1. INTERIOR AND EXTERIOR FINISHES, BY OTHERS, NOT SHOWN FOR CLARITY.
 2. PERIMETER AND JOINT SEALANT BY OTHERS TO BE DESIGNED IN ACCORDANCE WITH ASTM E2112

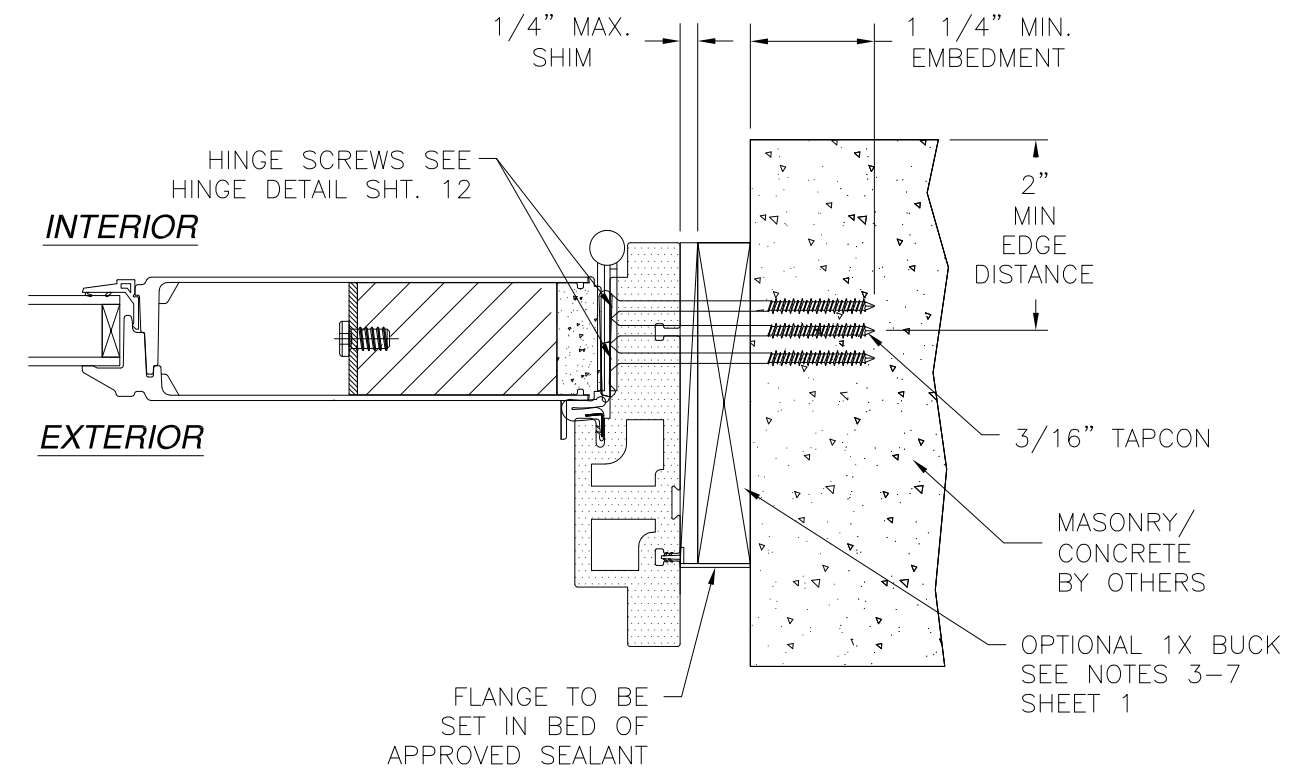
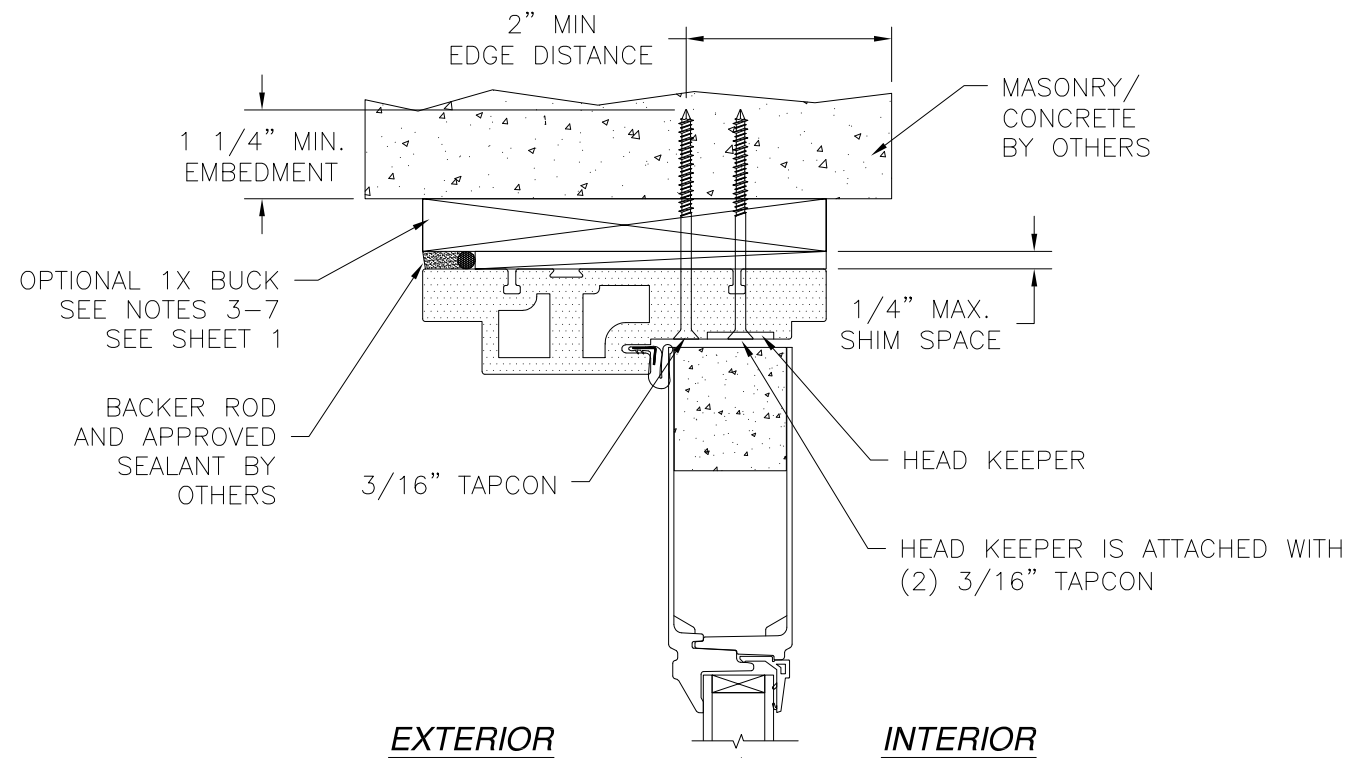
SIGNED: 02/18/2021

<p>NAN YA PLASTICS CORP. USA 8989 NORTH LOOP EAST HOUSTON, TX 77029</p>		
<p>SERIES IN-SWING PATIO DOOR W/ & W/O SIDELITES NON-IMPACT DOOR INSTALLATION DETAILS</p>		
DRAWN: A.R.	DWG NO. 08-03411	REV A
SCALE NTS	DATE 04/10/19	SHEET 7 OF 13
<p>L. ROBERTO LOMAS P.E. 1432 WOODFORD RD LEWISVILLE, NC 27023 434-688-0609 rllomas@rlomaspe.com</p>		

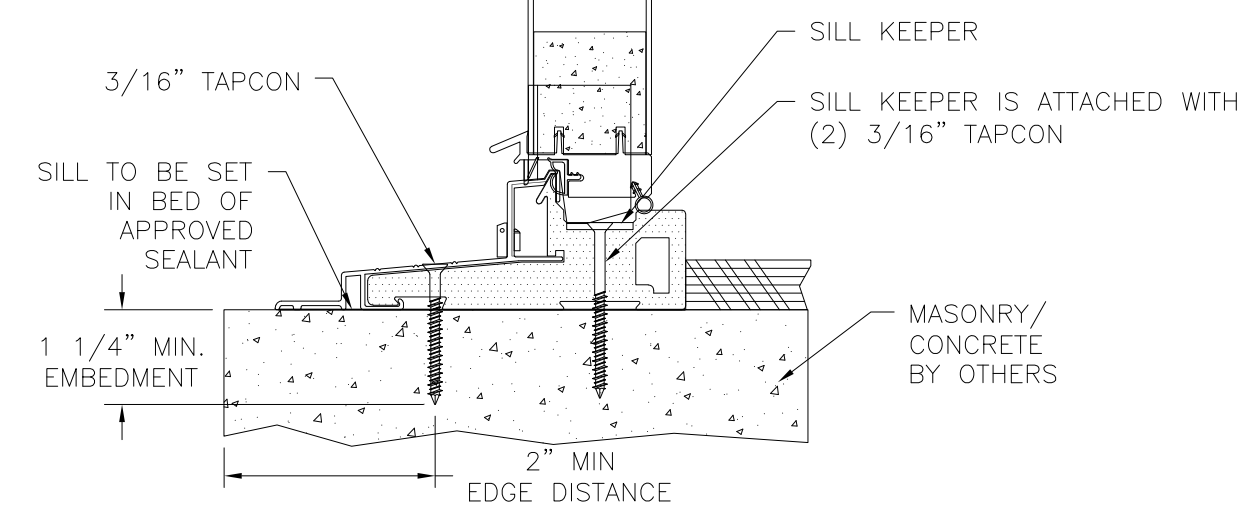


Luis R. Lomas P.E.
TX No.: 101889

REVISIONS			
REV	DESCRIPTION	DATE	APPROVED
A	REVISED PER NEW STANDARDS	08/03/2020	R.L.



DOOR HORIZONTAL CROSS SECTION
MASONRY/CONCRETE INSTALLATION



DOOR VERTICAL CROSS SECTION
MASONRY/CONCRETE INSTALLATION

- NOTES:**
1. INTERIOR AND EXTERIOR FINISHES, BY OTHERS, NOT SHOWN FOR CLARITY.
 2. PERIMETER AND JOINT SEALANT BY OTHERS TO BE DESIGNED IN ACCORDANCE WITH ASTM E2112

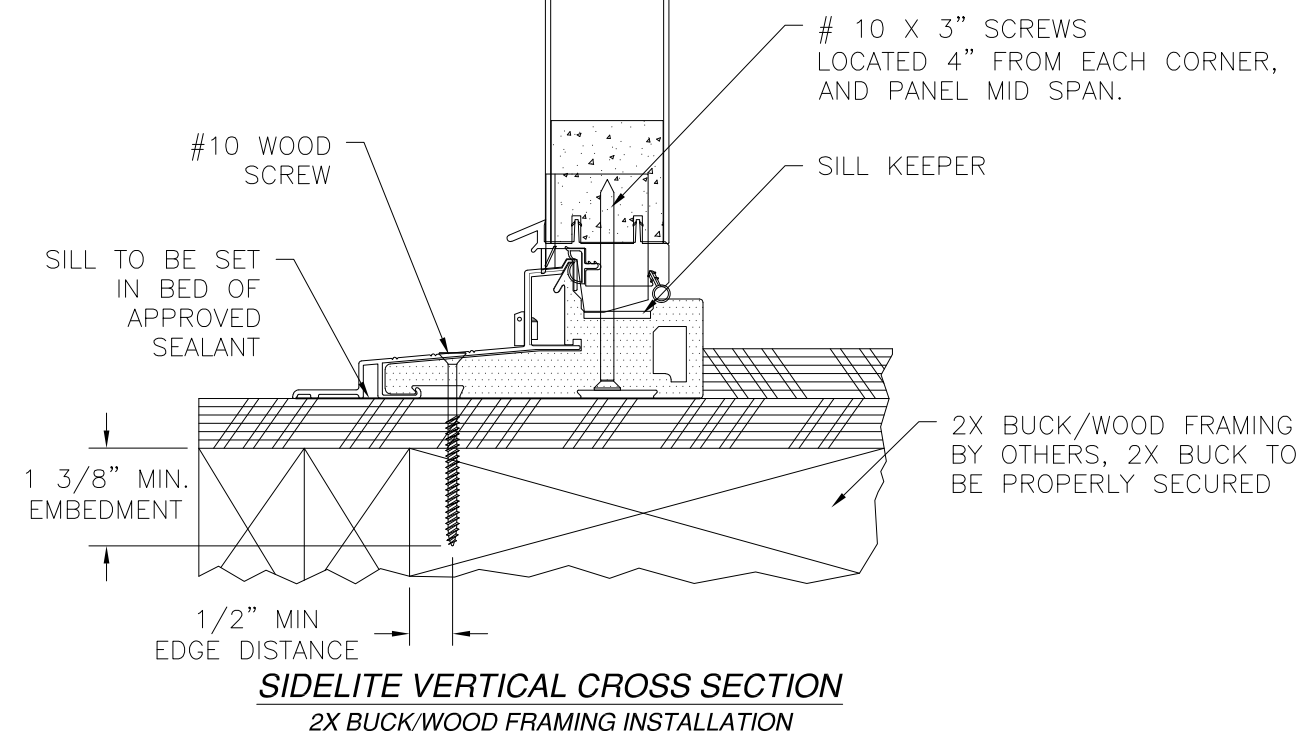
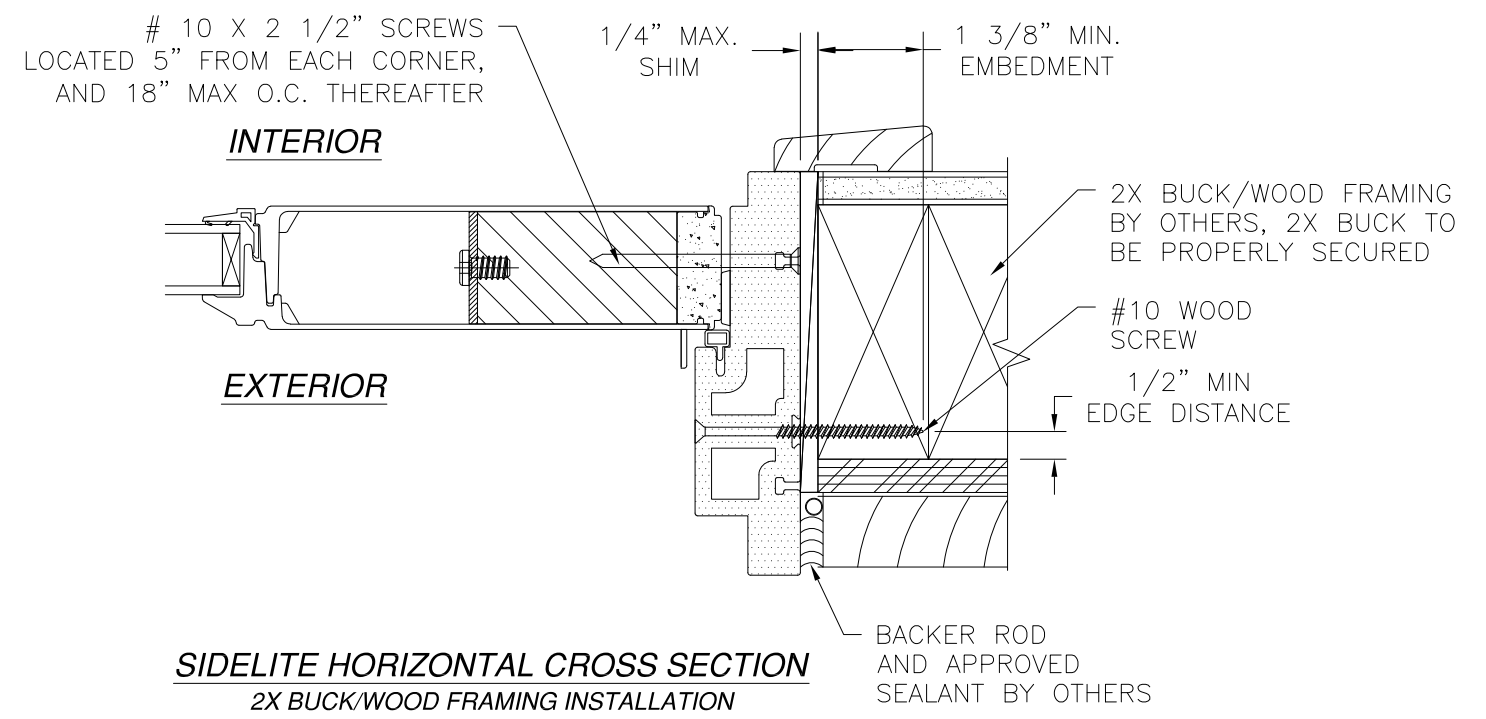
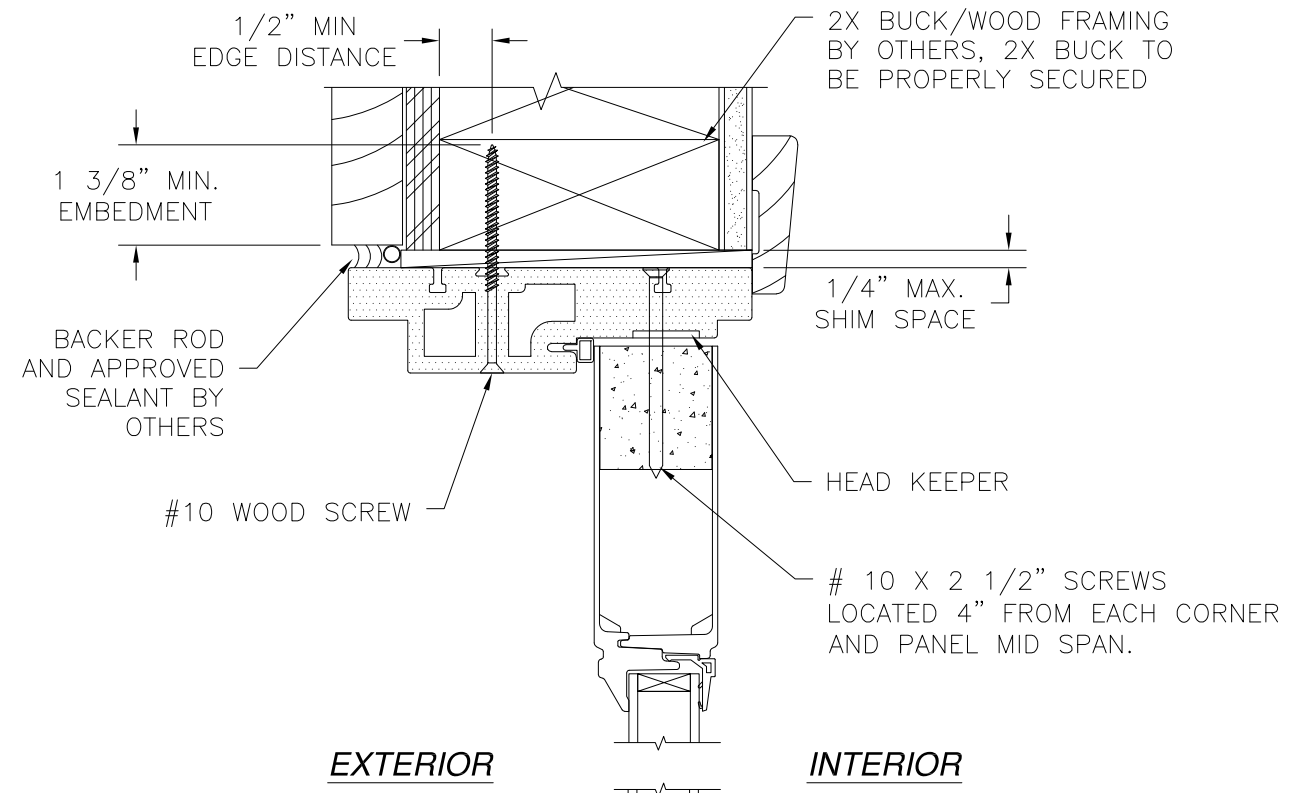
SIGNED: 02/18/2021

<p>NAN YA PLASTICS CORP. USA 8989 NORTH LOOP EAST HOUSTON, TX 77029</p>		
<p>SERIES IN-SWING PATIO DOOR W/ & W/O SIDELITES NON-IMPACT DOOR INSTALLATION DETAILS</p>		
DRAWN: A.R.	DWG NO. 08-03411	REV A
SCALE NTS	DATE 04/10/19	SHEET 8 OF 13
<p>L. ROBERTO LOMAS P.E. 1432 WOODFORD RD LEWISVILLE, NC 27023 434-688-0609 rllomas@rlomaspe.com</p>		



Luis R. Lomas P.E.
TX No.: 101889

REVISIONS			
REV	DESCRIPTION	DATE	APPROVED
A	REVISED PER NEW STANDARDS	08/03/2020	R.L.



NOTES:
 1. INTERIOR AND EXTERIOR FINISHES, BY OTHERS, NOT SHOWN FOR CLARITY.
 2. PERIMETER AND JOINT SEALANT BY OTHERS TO BE DESIGNED IN ACCORDANCE WITH ASTM E2112

SIGNED: 02/18/2021

NAN YA PLASTICS CORP. USA
 8989 NORTH LOOP EAST
 HOUSTON, TX 77029

SERIES IN-SWING PATIO DOOR
 W/ & W/O SIDELITES NON-IMPACT
 SIDELITE INSTALLATION DETAILS

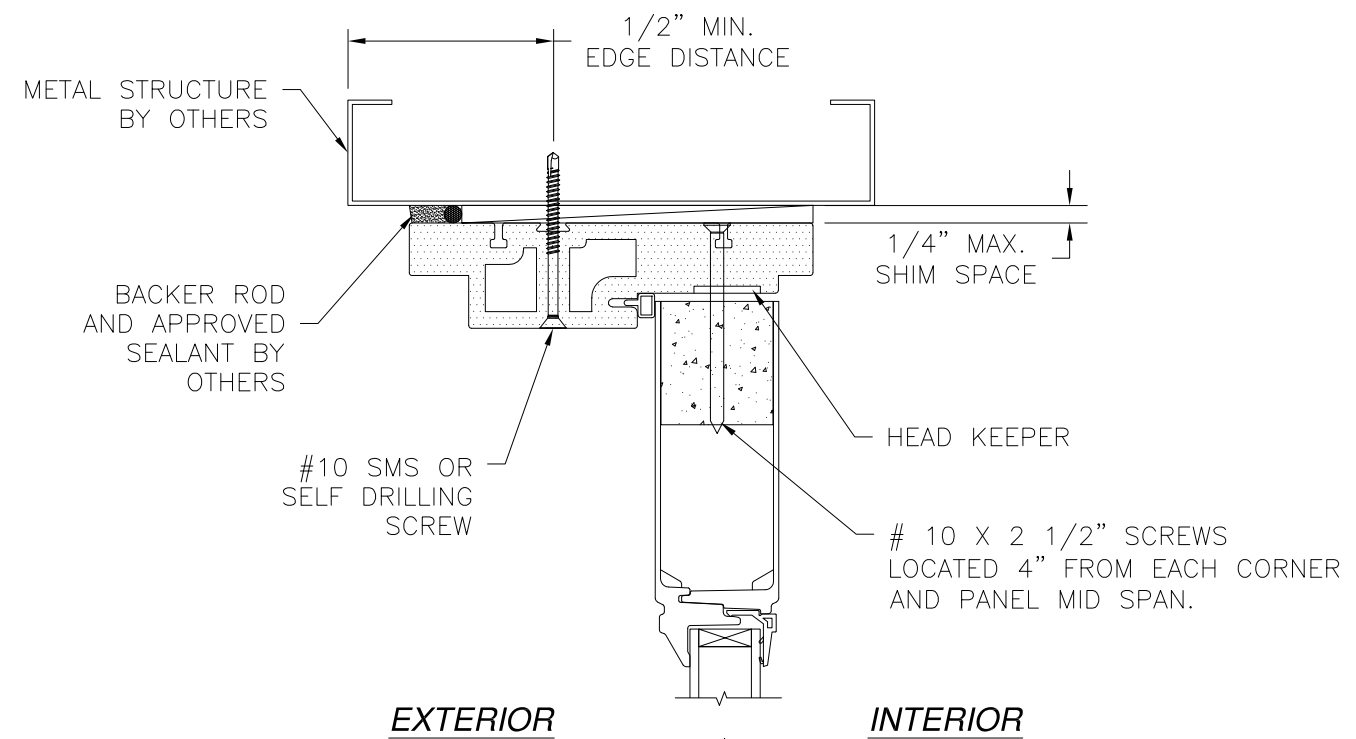
DRAWN: A.R.	DWG NO. 08-03411	REV A
SCALE NTS	DATE 04/10/19	SHEET 9 OF 13

L. ROBERTO LOMAS P.E.
 1432 WOODFORD RD LEWISVILLE, NC 27023
 434-688-0609 rllomas@rlomaspe.com

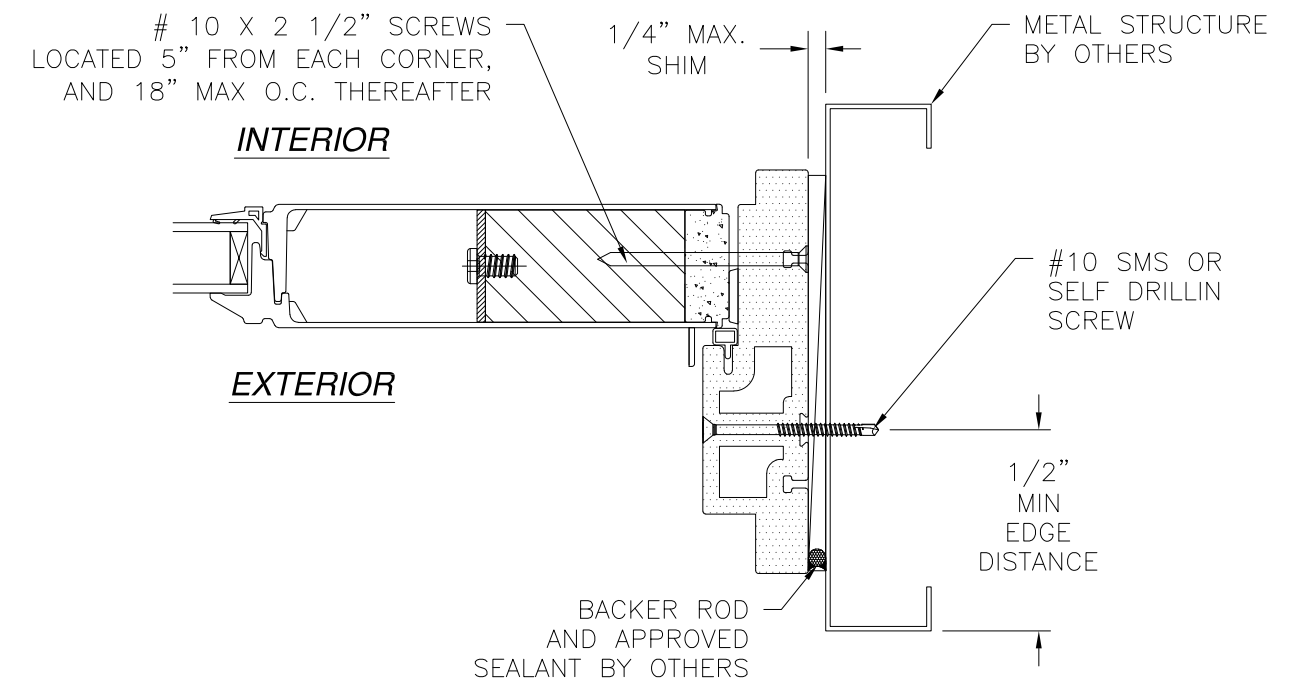


Luis R. Lomas P.E.
 TX No.: 101889

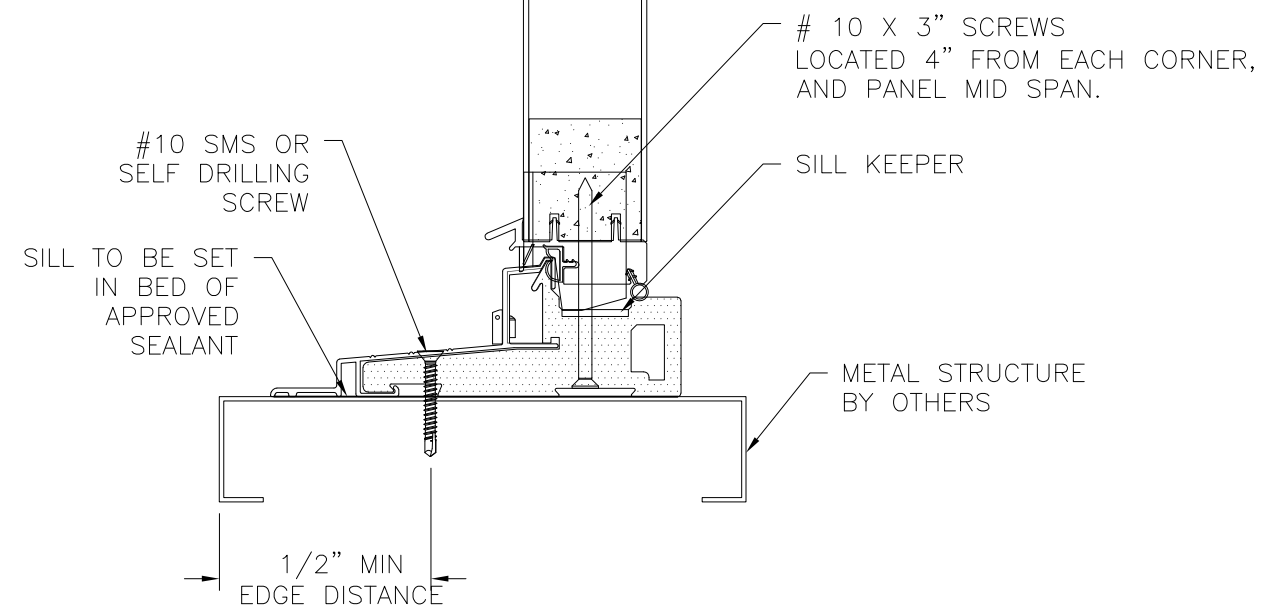
REVISIONS			
REV	DESCRIPTION	DATE	APPROVED
A	REVISED PER NEW STANDARDS	08/03/2020	R.L.



EXTERIOR **INTERIOR**



SIDELITE HORIZONTAL CROSS SECTION
METAL STRUCTURE INSTALLATION



SIDELITE VERTICAL CROSS SECTION
METAL STRUCTURE INSTALLATION

- NOTES:**
1. INTERIOR AND EXTERIOR FINISHES, BY OTHERS, NOT SHOWN FOR CLARITY.
 2. PERIMETER AND JOINT SEALANT BY OTHERS TO BE DESIGNED IN ACCORDANCE WITH ASTM E2112

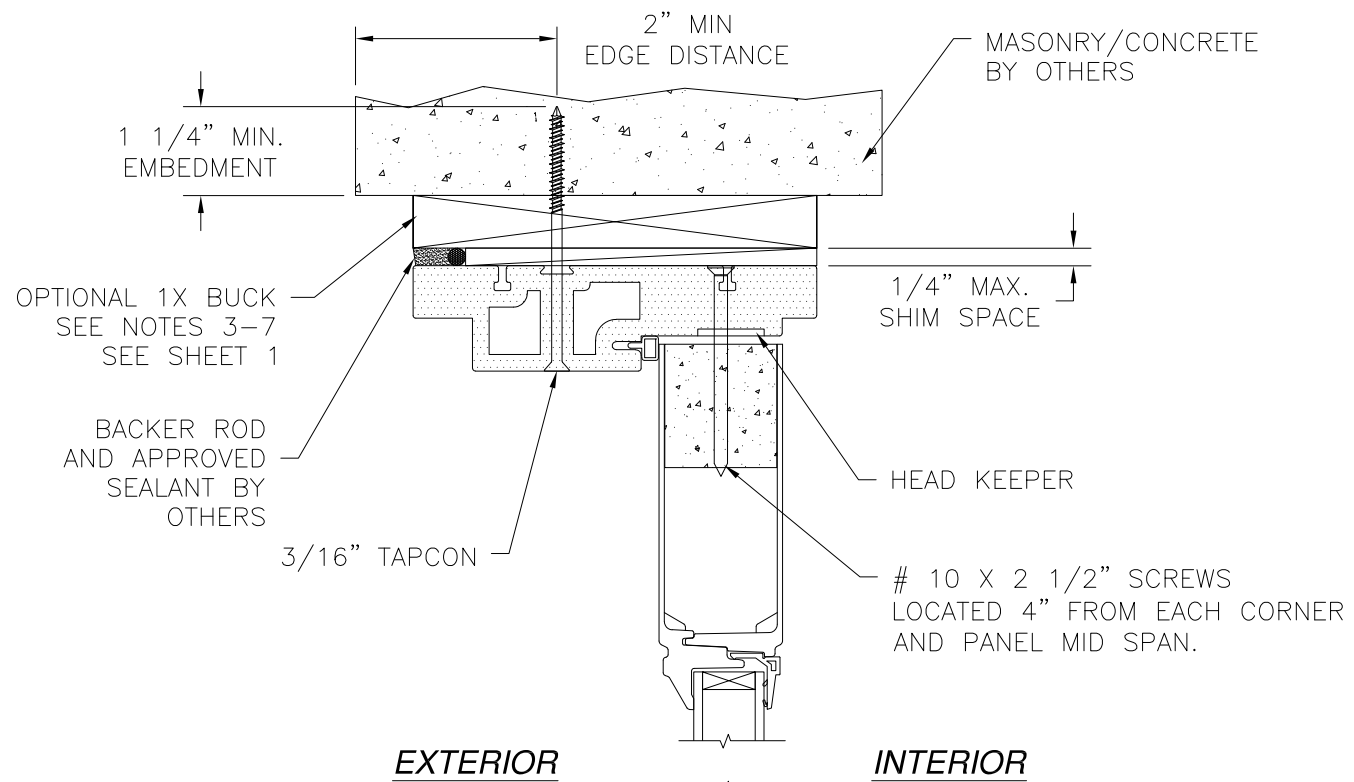
SIGNED: 02/18/2021

<p>NAN YA PLASTICS CORP. USA 8989 NORTH LOOP EAST HOUSTON, TX 77029</p>		
<p>SERIES IN-SWING PATIO DOOR W/ & W/O SIDELITES NON-IMPACT SIDELITE INSTALLATION DETAILS</p>		
DRAWN: A.R.	DWG NO. 08-03411	REV A
SCALE NTS	DATE 04/10/19	SHEET 10 OF 13
<p>L. ROBERTO LOMAS P.E. 1432 WOODFORD RD LEWISVILLE, NC 27023 434-688-0609 rllomas@rlomaspe.com</p>		

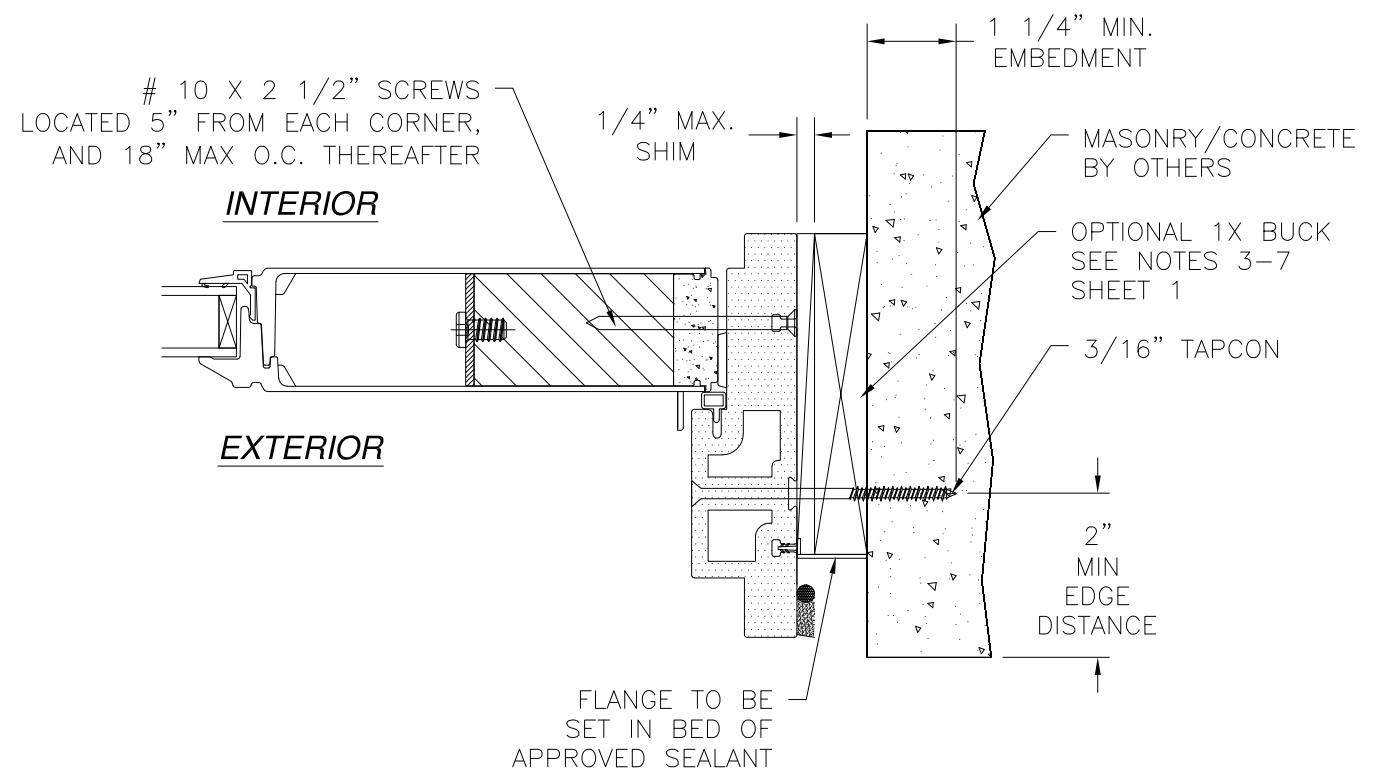


Luis R. Lomas P.E.
TX No.: 101889

REVISIONS			
REV	DESCRIPTION	DATE	APPROVED
A	REVISED PER NEW STANDARDS	08/03/2020	R.L.

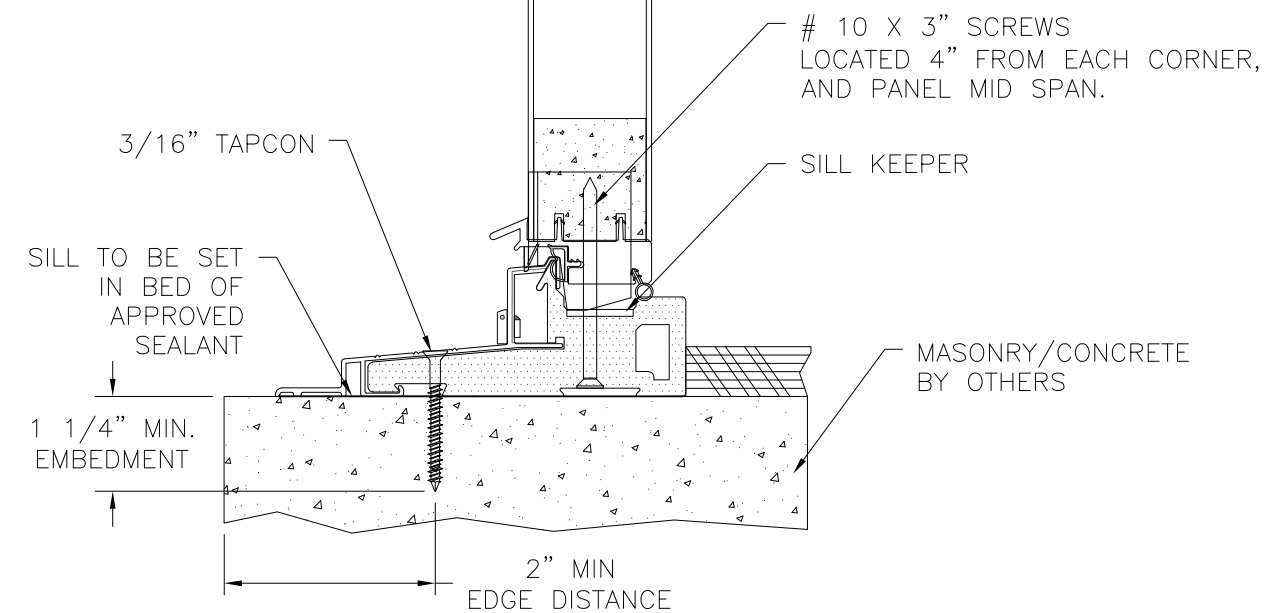


EXTERIOR **INTERIOR**



INTERIOR
EXTERIOR

**SIDELITE HORIZONTAL CROSS SECTION
MASONRY/CONCRETE INSTALLATION**



**SIDELITE VERTICAL CROSS SECTION
MASONRY/CONCRETE INSTALLATION**

- NOTES:**
 1. INTERIOR AND EXTERIOR FINISHES, BY OTHERS, NOT SHOWN FOR CLARITY.
 2. PERIMETER AND JOINT SEALANT BY OTHERS TO BE DESIGNED IN ACCORDANCE WITH ASTM E2112

SIGNED: 02/18/2021

NAN YA PLASTICS CORP. USA
 8989 NORTH LOOP EAST
 HOUSTON, TX 77029

SERIES IN-SWING PATIO DOOR
 W/ & W/O SIDELITES NON-IMPACT
 SIDELITE INSTALLATION DETAILS

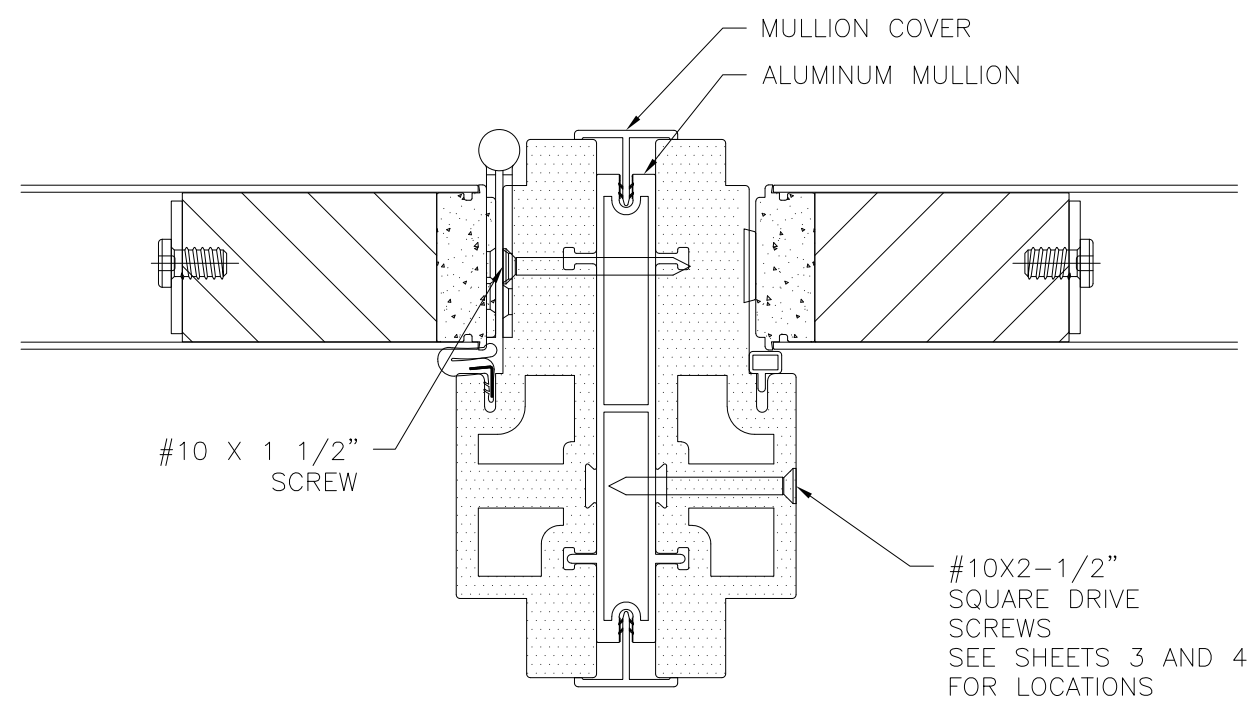
DRAWN: A.R.	DWG NO. 08-03411	REV A
SCALE NTS	DATE 04/10/19	SHEET 11 OF 13

L. ROBERTO LOMAS P.E.
 1432 WOODFORD RD LEWISVILLE, NC 27023
 434-688-0609 rllomas@rlomaspe.com

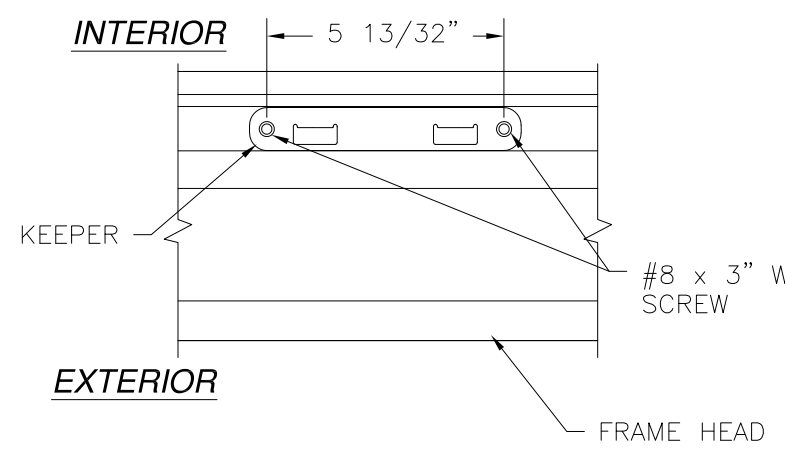


Luis R. Lomas P.E.
 TX No.: 101889

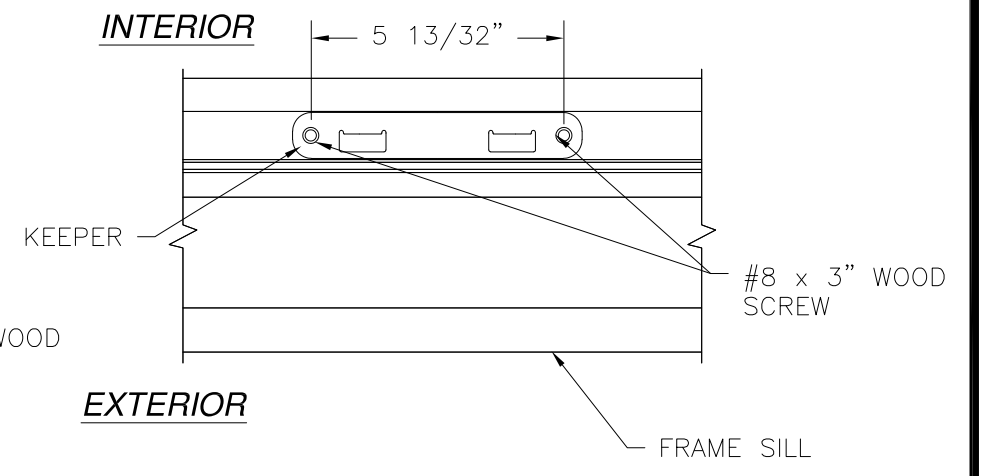
REVISIONS			
REV	DESCRIPTION	DATE	APPROVED
A	REVISED PER NEW STANDARDS	08/03/2020	R.L.



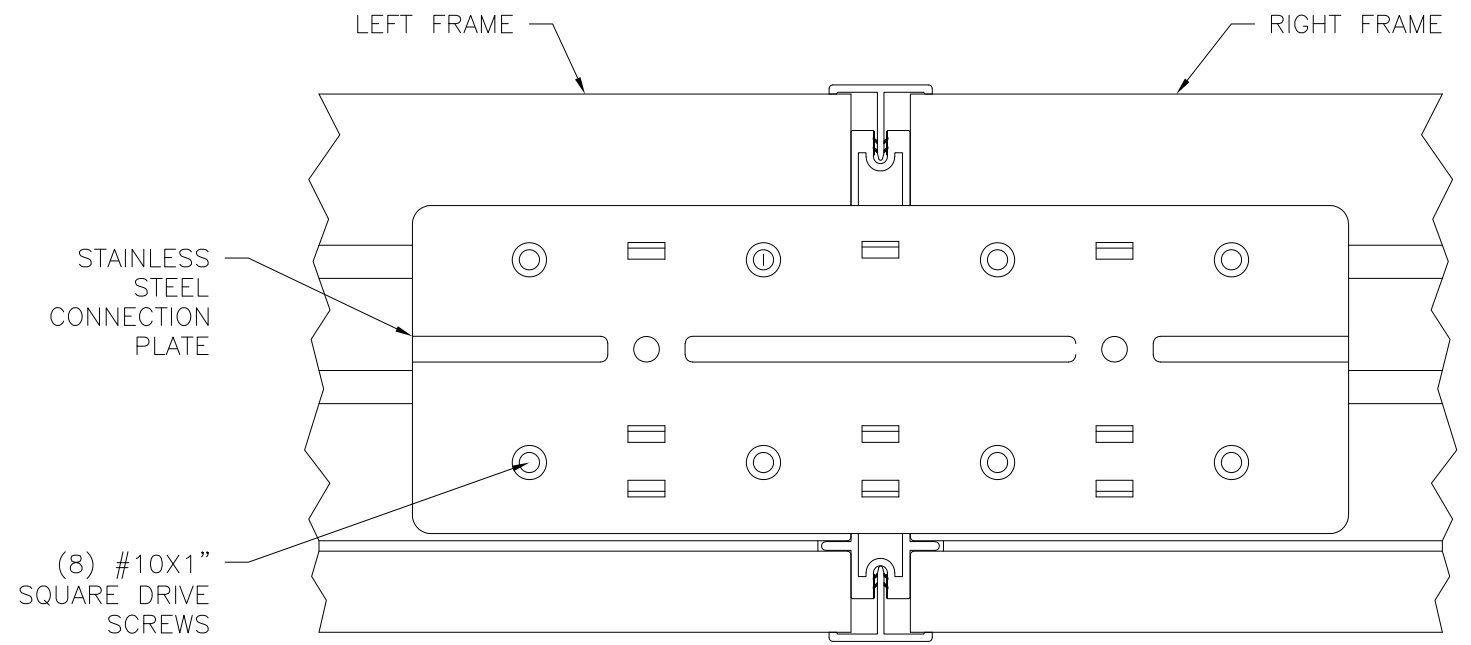
MULLION DETAIL



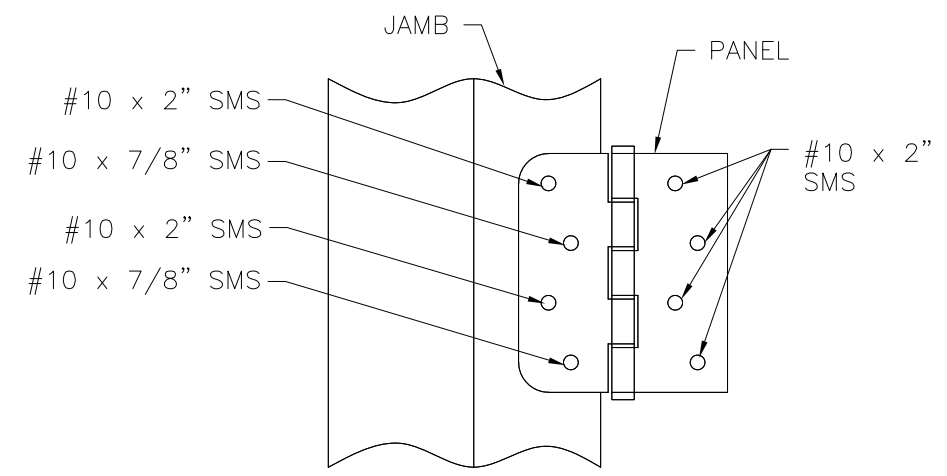
HEAD KEEPER DETAIL



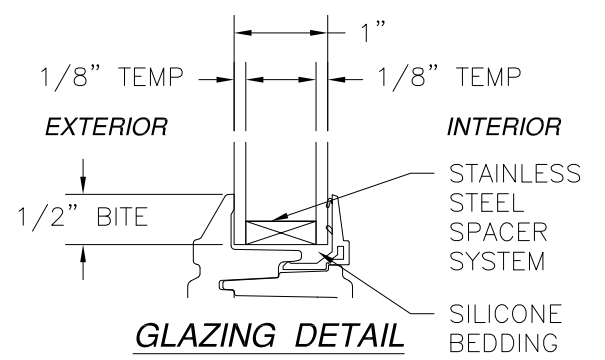
SILL KEEPER DETAIL



FRAME CONNECTION DETAIL



HINGE INSTALLATION DETAIL



GLAZING DETAIL

SIGNED: 02/18/2021

NAN YA PLASTICS CORP. USA
 8989 NORTH LOOP EAST
 HOUSTON, TX 77029

SERIES IN-SWING PATIO DOOR
 W/ & W/O SIDELITES NON-IMPACT
 INSTALLATION DETAILS

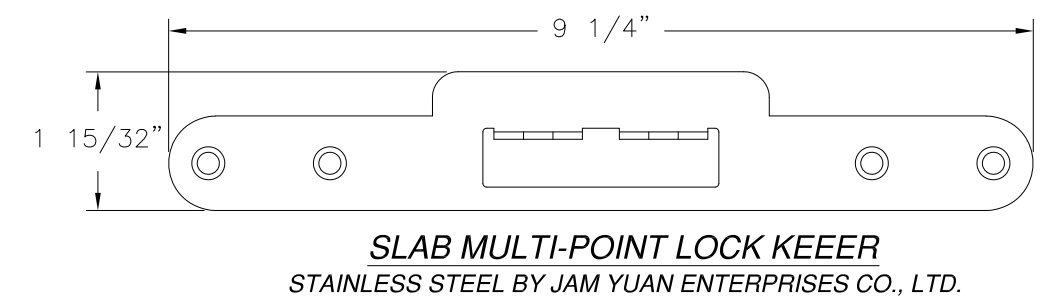
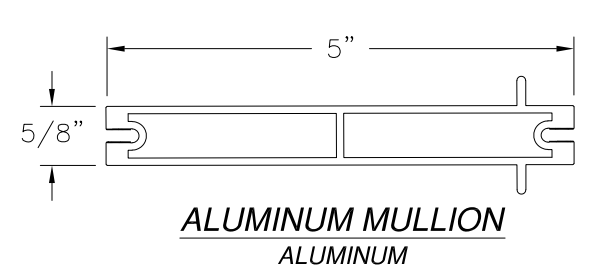
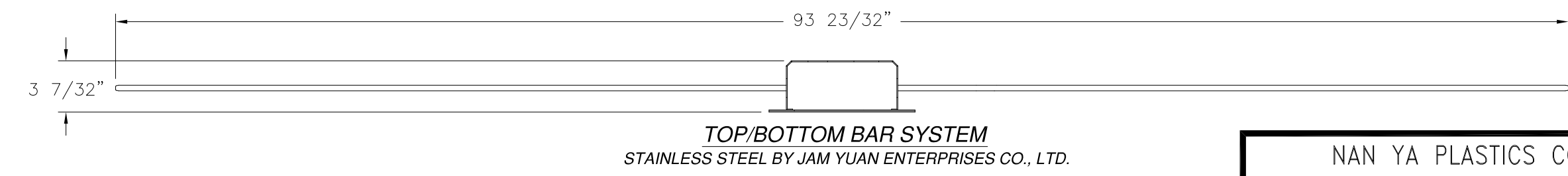
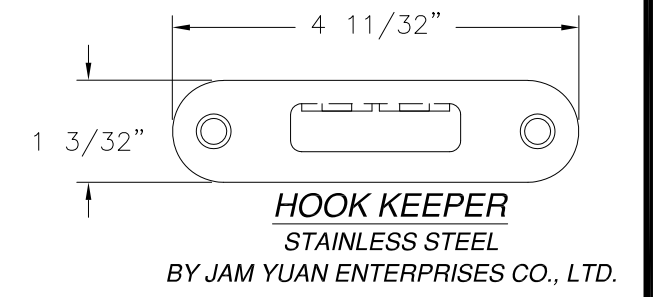
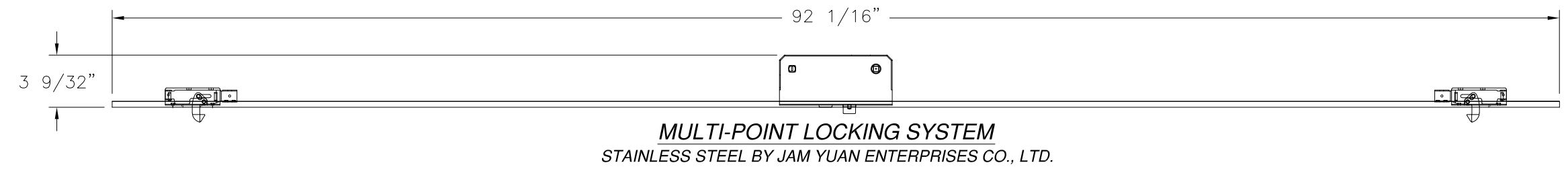
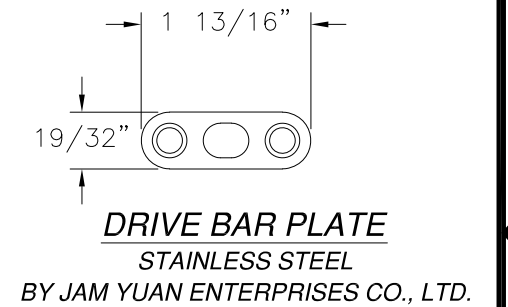
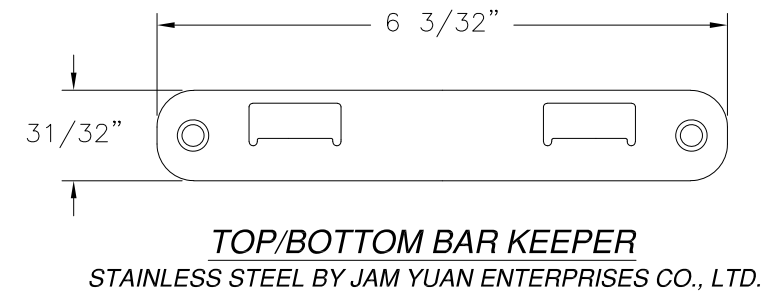
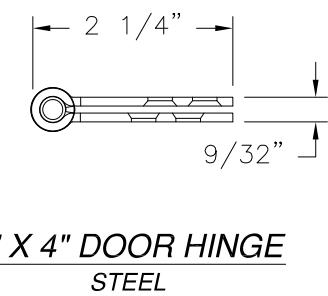
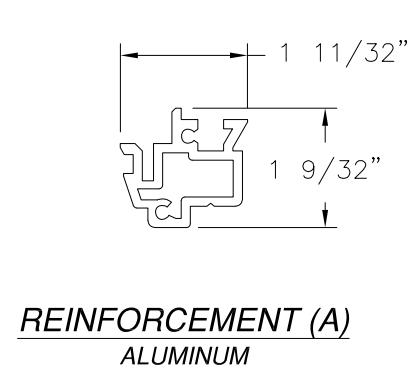
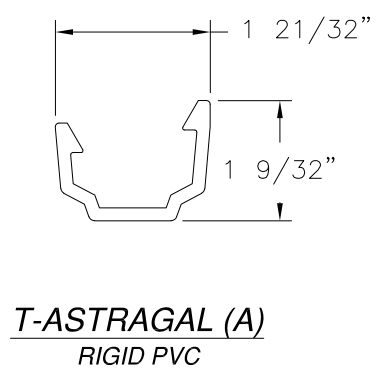
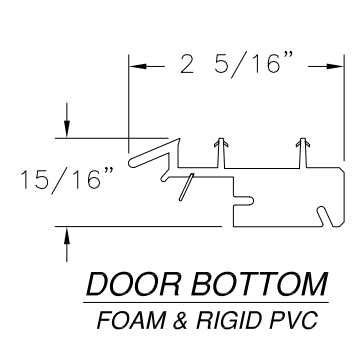
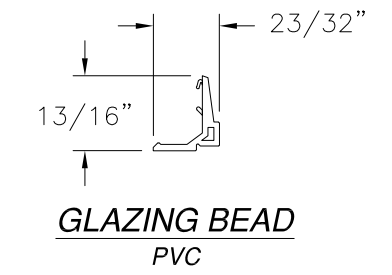
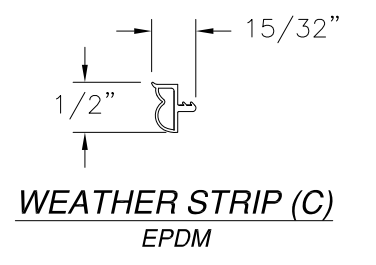
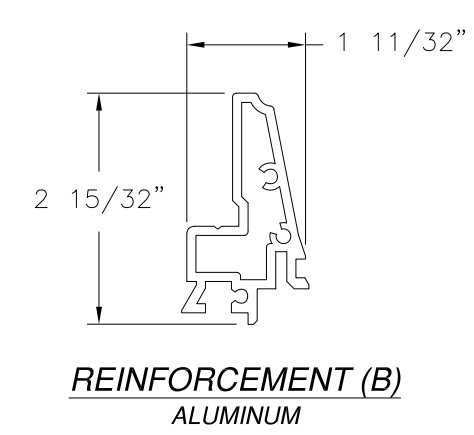
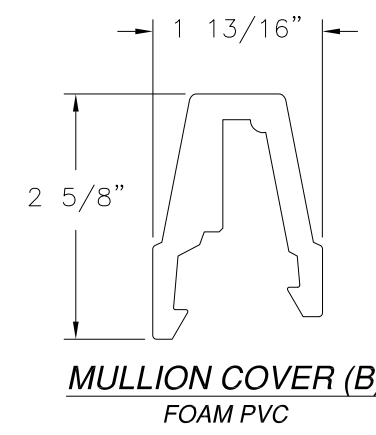
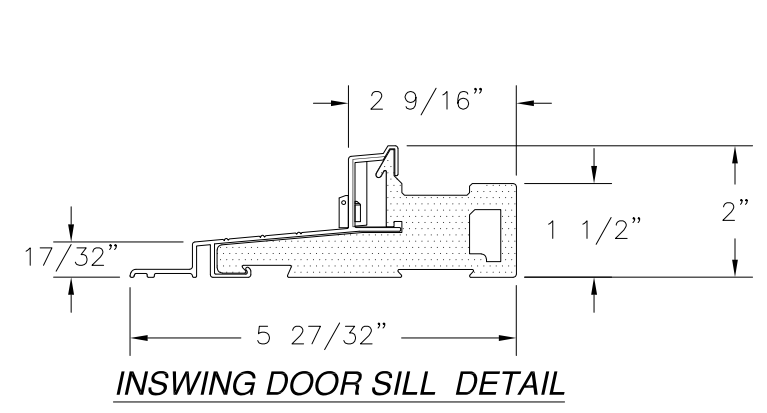
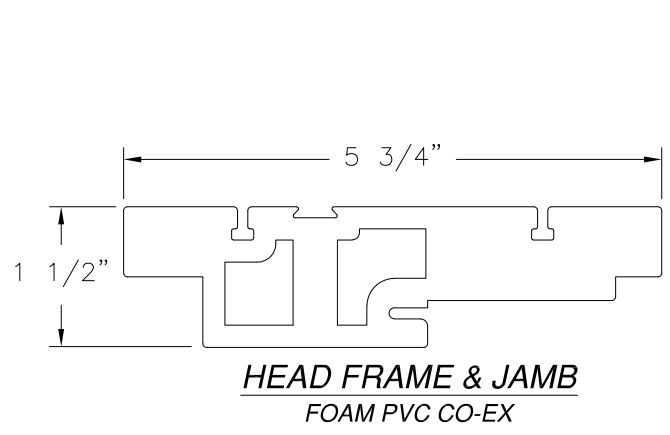
DRAWN: A.R.	DWG NO. 08-03411	REV A
SCALE NTS	DATE 04/10/19	SHEET 12 OF 13

L. ROBERTO LOMAS P.E.
 1432 WOODFORD RD LEWISVILLE, NC 27023
 434-688-0609 rllomas@rlomaspe.com



Luis R. Lomas P.E.
 TX No.: 101889

REVISIONS			
REV	DESCRIPTION	DATE	APPROVED
A	REVISED PER NEW STANDARDS	08/03/2020	R.L.



SIGNED: 02/18/2021

NAN YA PLASTICS CORP. USA
8989 NORTH LOOP EAST
HOUSTON, TX 77029

SERIES IN-SWING PATIO DOOR
W/ & W/O SIDELITES NON-IMPACT
COMPONENTS

DRAWN: A.R.	DWG NO. 08-03411	REV A
SCALE NTS	DATE 04/10/19	SHEET 13 OF 13

L. ROBERTO LOMAS P.E.
1432 WOODFORD RD LEWISVILLE, NC 27023
434-688-0609 rllomas@rlomaspe.com



Luis R. Lomas P.E.
TX No.: 101889