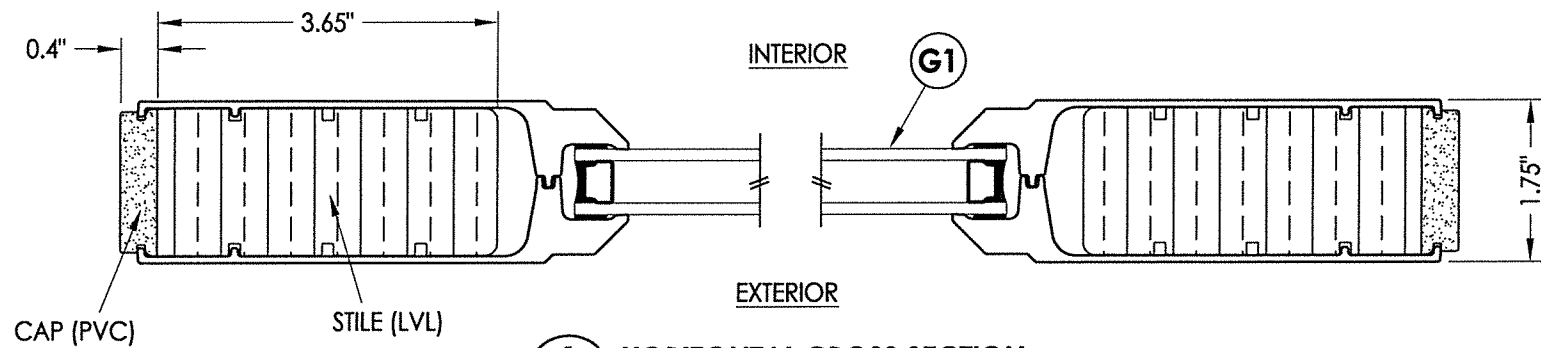
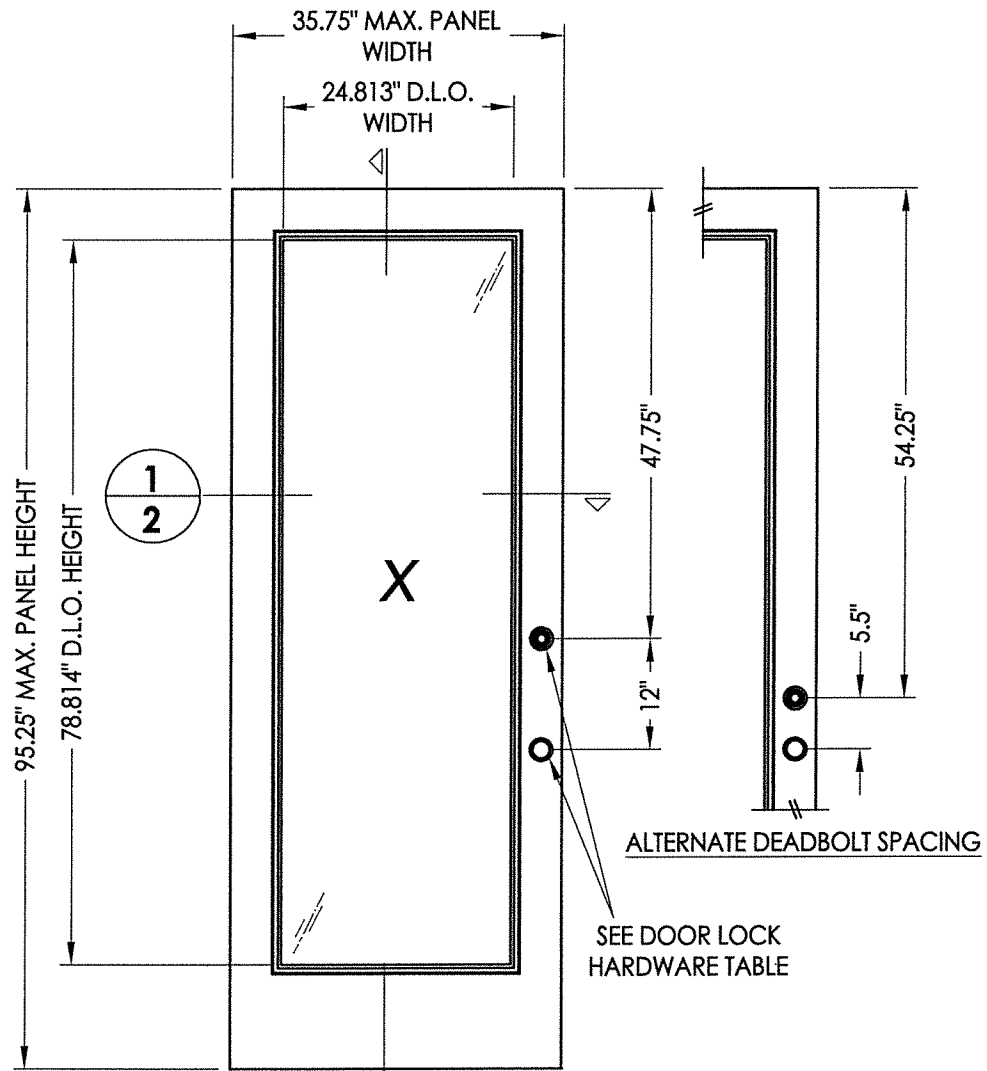




R:\Clients\Plastpro, Inc PERMANENT\B - TD\TDI - DR-XXX Direct Glazed Non-Impact\C - Drawings\TX-4925.dwg, 2.3

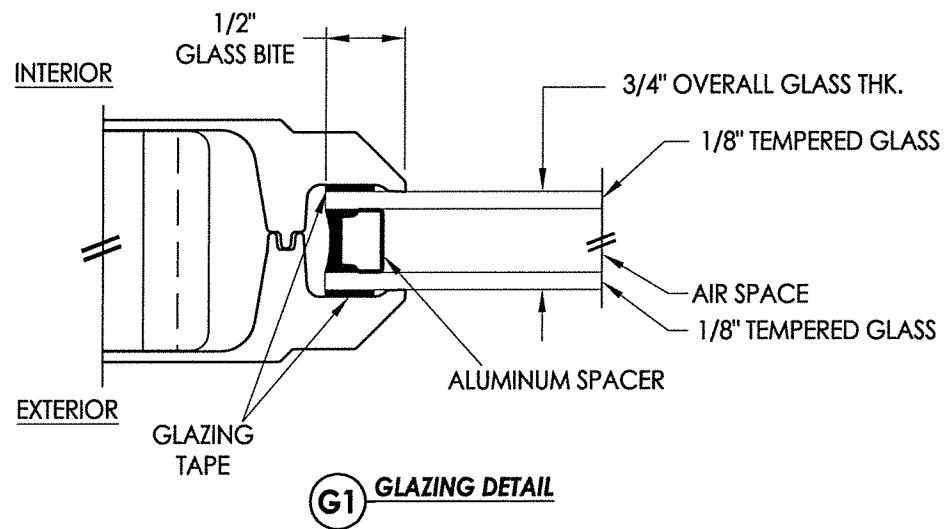


**1**  
**2** HORIZONTAL CROSS SECTION

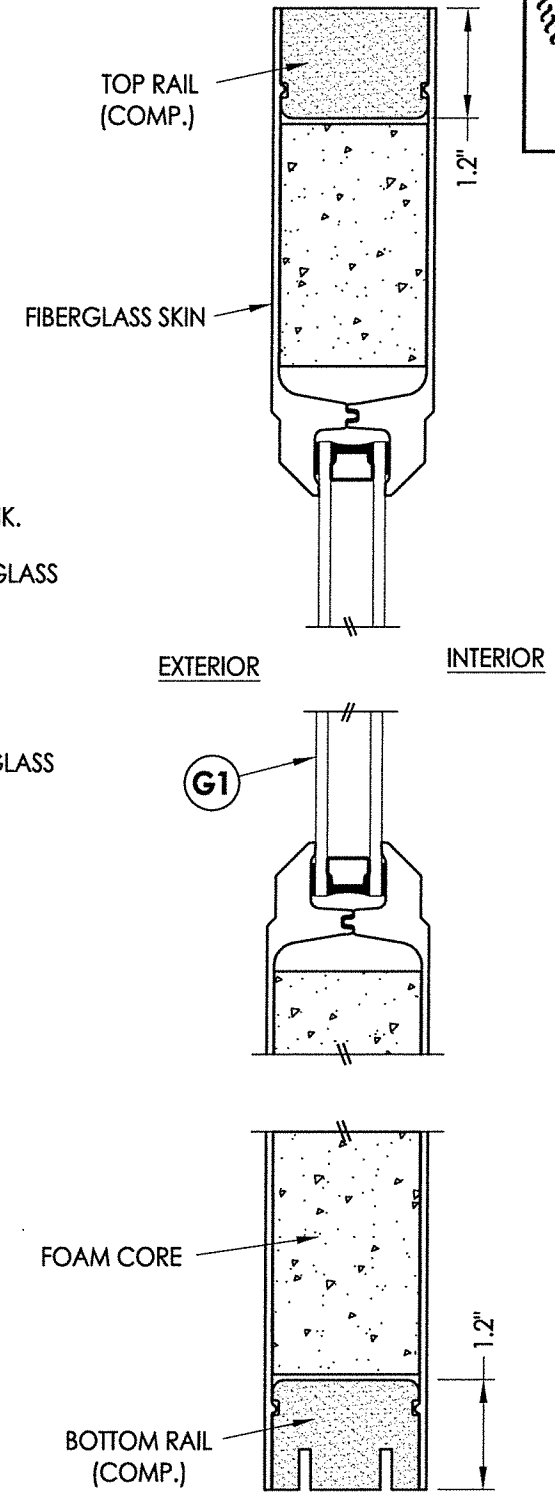


- 40** PLASTPRO DOOR PANEL
- 50** PLASTPRO SIDELITE PANEL

FIBERGLASS SKIN: 0.075" MIN. THK.  
FOAM CORE: XPS FOAM (1.3 PCF MIN. DENSITY)

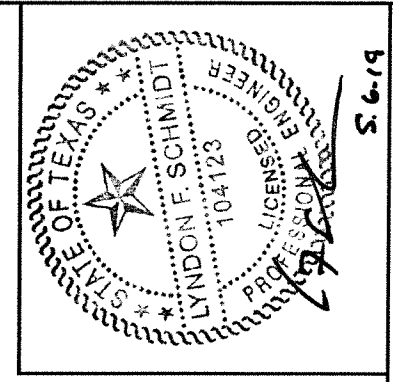


**G1** GLAZING DETAIL



**2**  
**2** VERTICAL CROSS SECTION

HARDWARE TABLE					
MANUFACTURER	MODEL	DEADBOLT SPACING	MAX. DESIGN PRESSURE (PSF)		
			INSWING	OUTSWING	
Kwikset	Knob: Signature Series	5.5"	+30/-40	+35/-35	
	Deadbolt: Signature Series (980)	12"	+45/-50	+45/-45	



Documents Prepared By: Lyndon F. Schmidt, P.E.  
TEXAS P.E. #104123

**RW** BUILDING CONSULTANTS, INC.  
P.O. Box 230 Valrico FL, 33595  
Phone No.: 813.659.9197

TEXAS BOARD OF PROFESSIONAL ENGINEERS  
CERTIFICATE OF REGISTRATION # F-11852

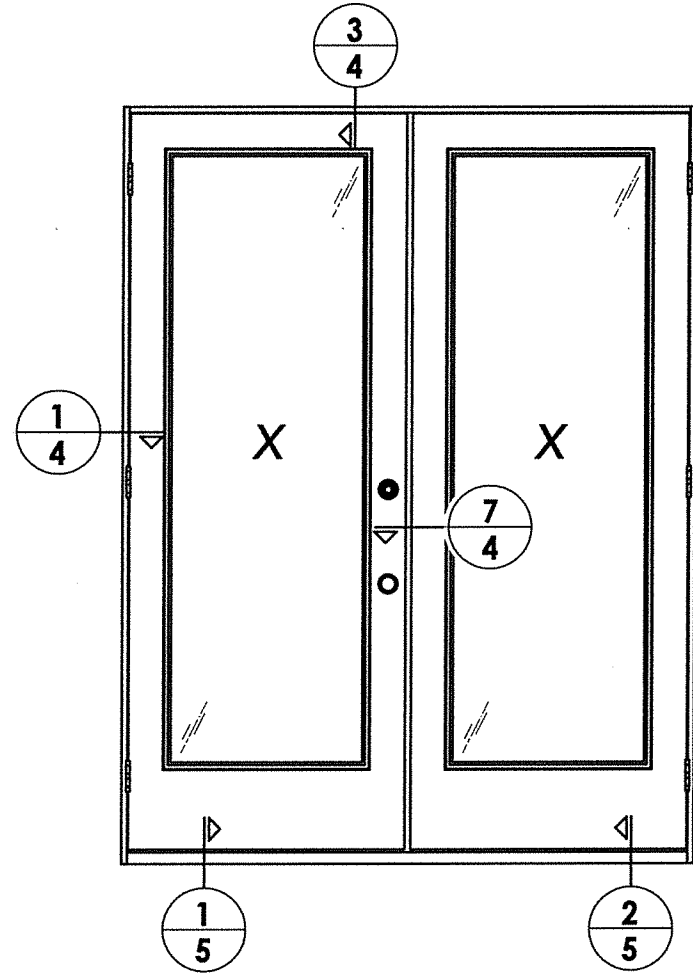
PRODUCT: PLASTPRO INC. FIBERGLASS DOOR

PART OR ASSEMBLY: DOOR & SIDELITE PANEL DETAILS

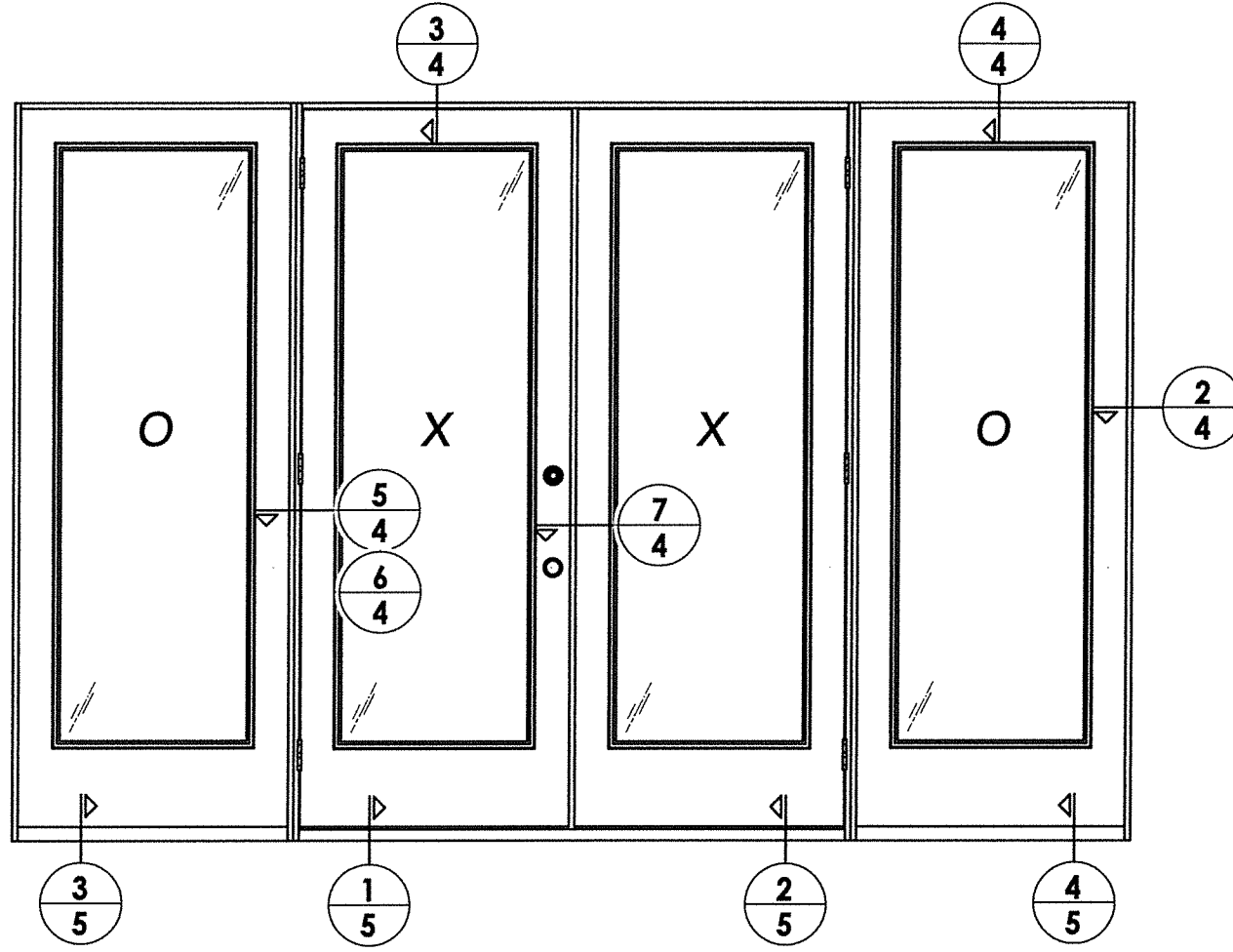
NO.	DATE	BY

DATE: 4/29/19  
SCALE: N.T.S.  
DWG. BY: MT  
CHK. BY: LFS  
DRAWING NO.: TX-4925  
SHEET 2 OF 7

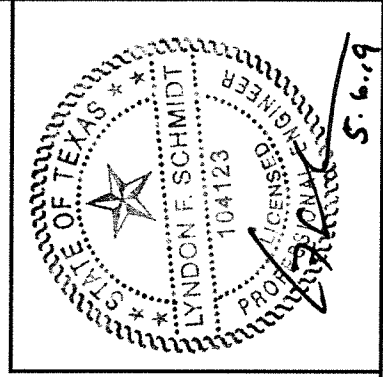
R:\Clients\Plastpro, Inc PERMANENT\B - TD\TDI - DR-XXX Direct Glazed Non-Impact\C - Drawings\TX-4925.dwg, 3.3



ELEVATION  
XX



ELEVATION  
OXXO



Documents Prepared By: Lyndon F. Schmidt, P.E.  
TEXAS P.E. #104123

R.W. BUILDING CONSULTANTS, INC.  
P.O. Box 230 Valrico FL 33595  
Phone No.: 813.659.9197

TEXAS BOARD OF PROFESSIONAL ENGINEERS  
CERTIFICATE OF REGISTRATION # F-11852

PRODUCT: PLASTPRO INC.  
FIBERGLASS DOOR

PART OR ASSEMBLY:  
ELEVATIONS

NO.	DATE	BY

DATE: 4/29/19

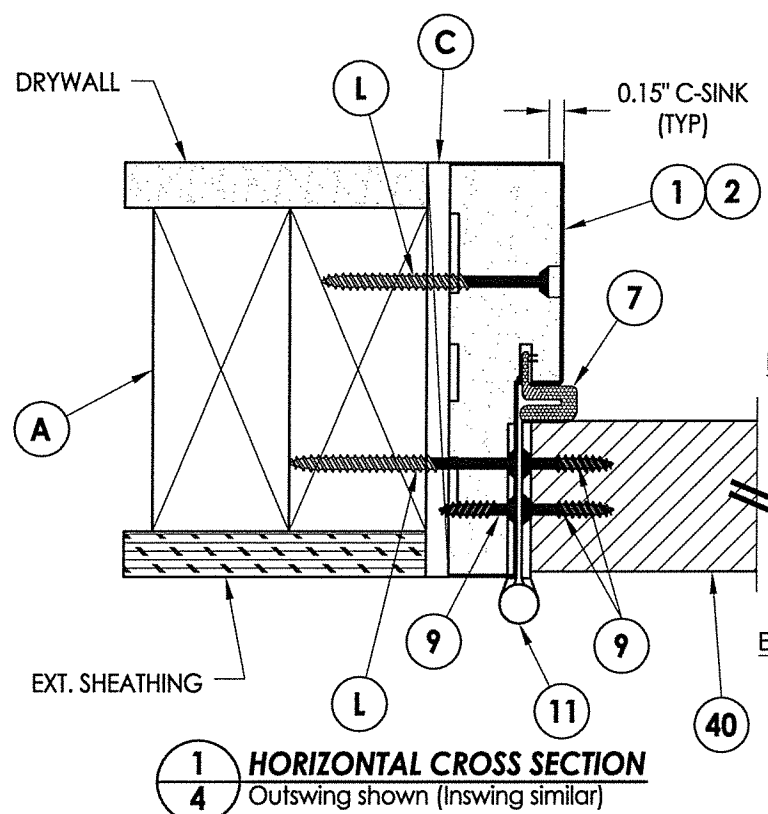
SCALE: N.T.S.

DWG. BY: MT

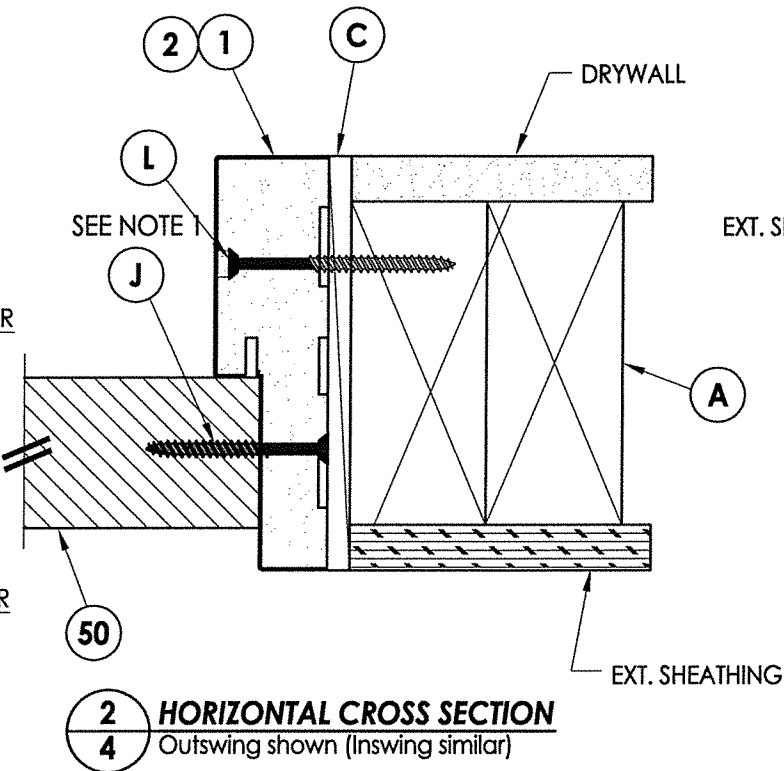
CHK. BY: LFS

DRAWING NO.: TX-4925

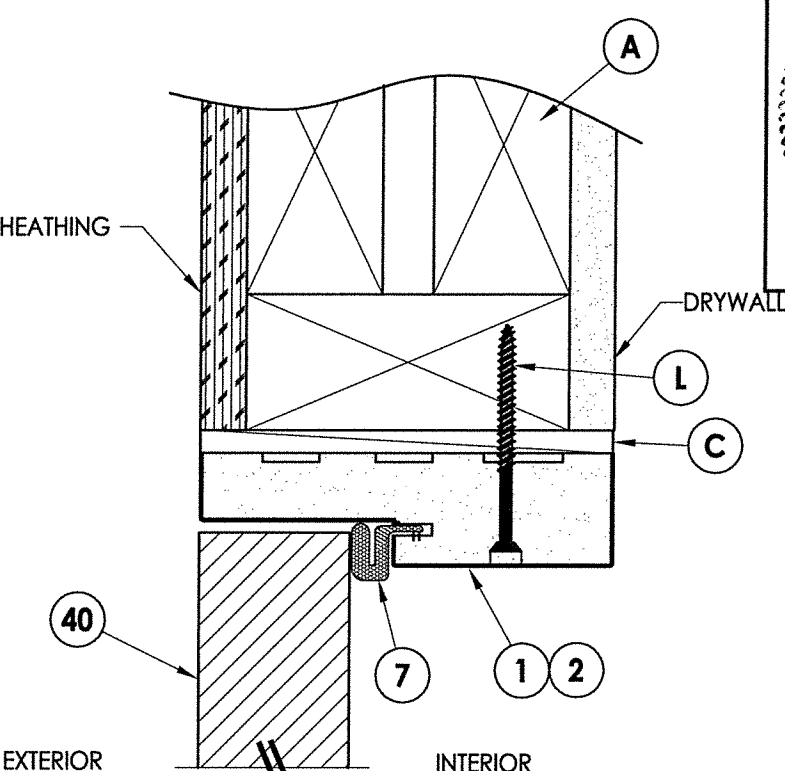
SHEET 3 OF 7



**1 HORIZONTAL CROSS SECTION**  
**4** Outswing shown (Inswing similar)

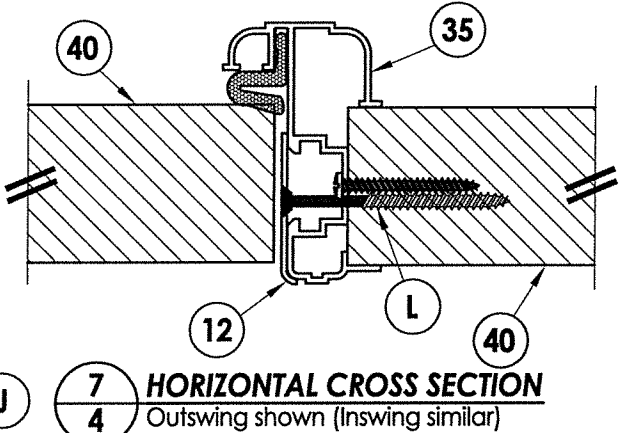


**2 HORIZONTAL CROSS SECTION**  
**4** Outswing shown (Inswing similar)

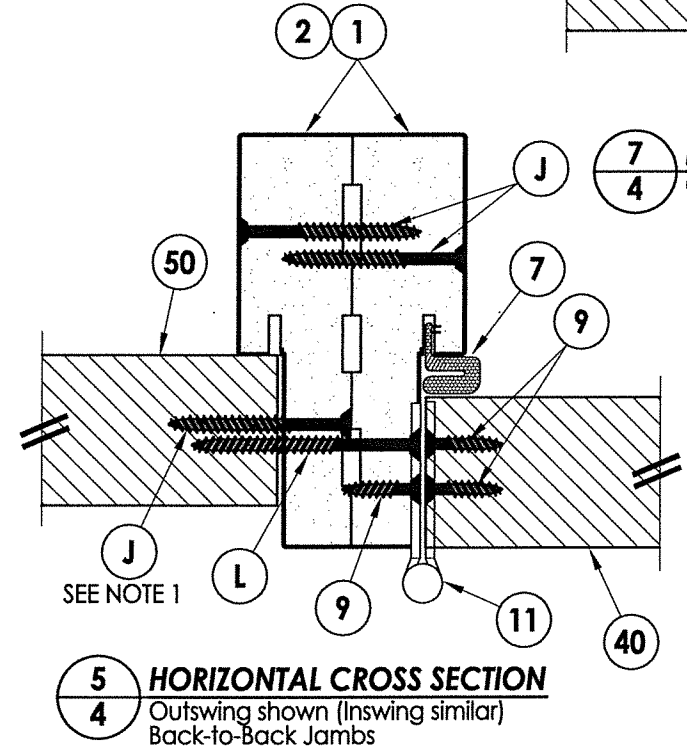


**3 VERTICAL CROSS SECTION**  
**4** Outswing shown (Inswing similar)

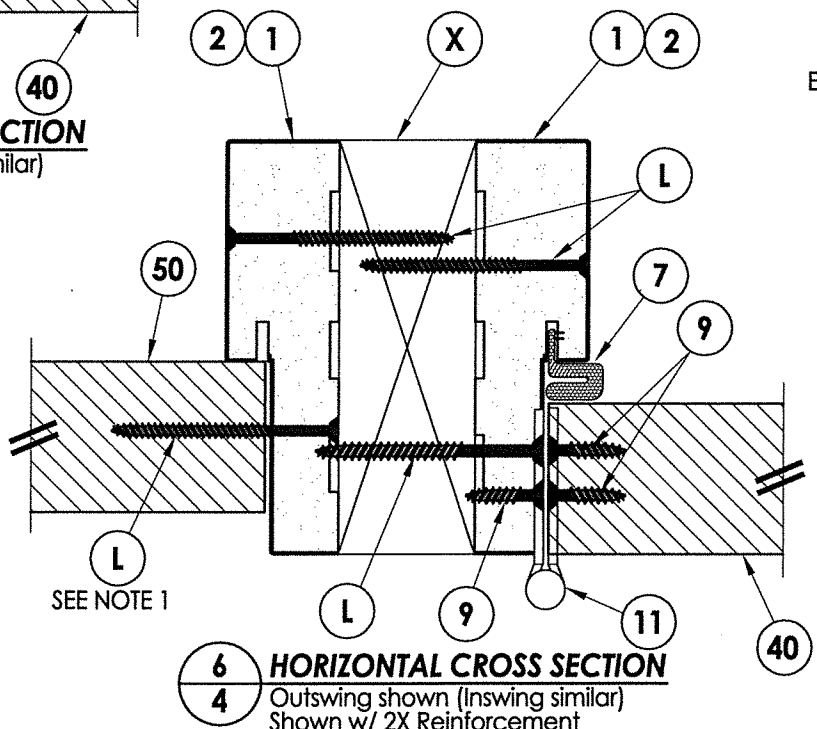
**NOTES:**  
 1. Spacing for item J: 6" from each end and 5 more equally spaced along sidelite jamb (7 total).  
 2. Spacing for item J @ head & sill: 6" from ends (2 total).



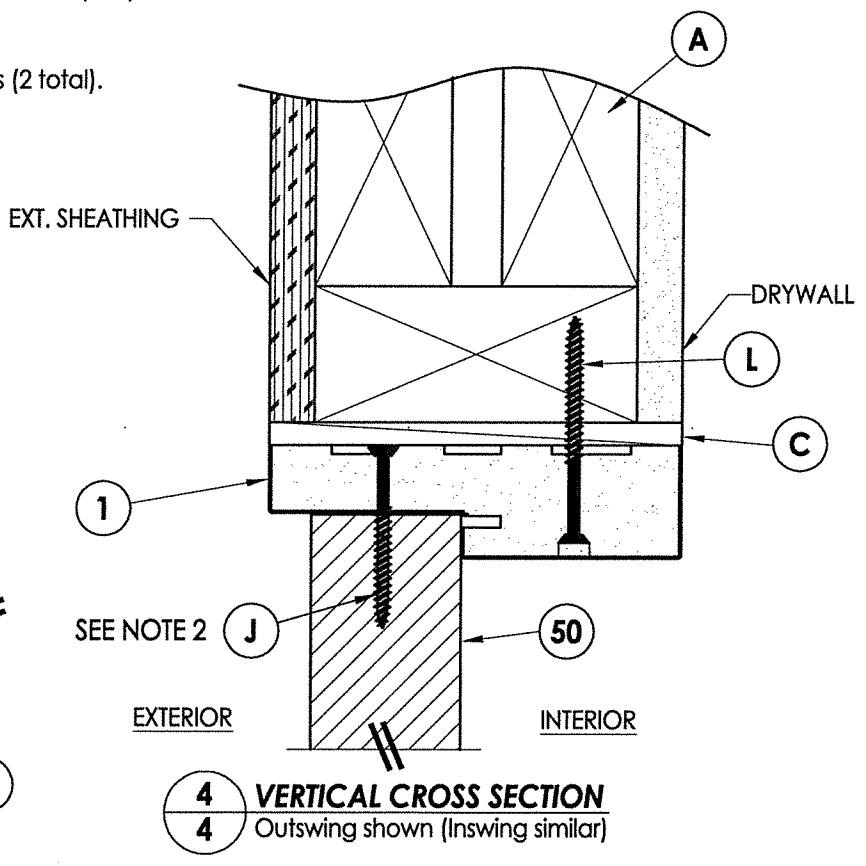
**7 HORIZONTAL CROSS SECTION**  
**4** Outswing shown (Inswing similar)



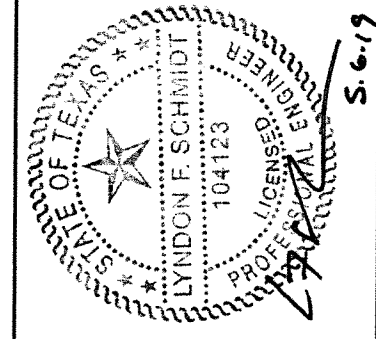
**5 HORIZONTAL CROSS SECTION**  
**4** Outswing shown (Inswing similar)  
 Back-to-Back Jamb



**6 HORIZONTAL CROSS SECTION**  
**4** Outswing shown (Inswing similar)  
 Shown w/ 2X Reinforcement



**4 VERTICAL CROSS SECTION**  
**4** Outswing shown (Inswing similar)



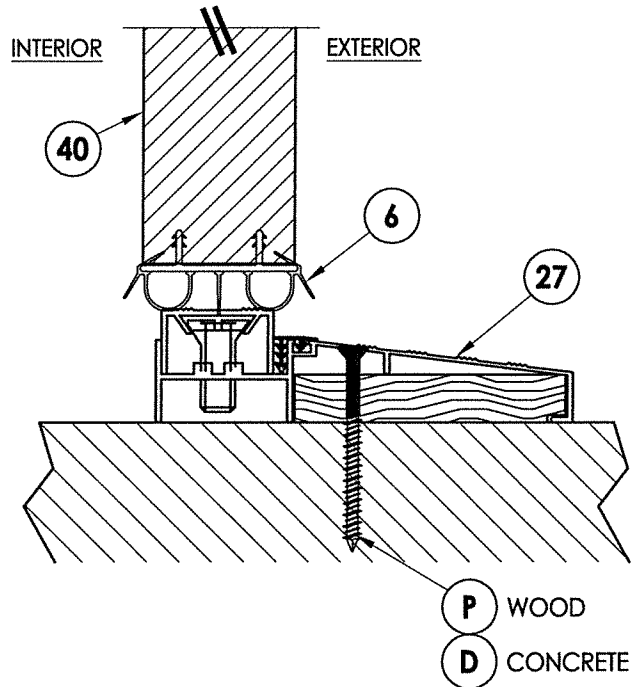
Documents Prepared By: Lyndon F. Schmidt, P.E.  
 TEXAS P.E. #104123  
 R.W. BUILDING CONSULTANTS, INC.  
 P.O. Box 230 Valrico FL 33595  
 Phone No.: 813.659.9197  
 TEXAS BOARD OF PROFESSIONAL ENGINEERS  
 CERTIFICATE OF REGISTRATION # F-11852

PRODUCT: PLASTPRO INC. FIBERGLASS DOOR  
 PART OR ASSEMBLY: HORIZONTAL & VERTICAL CROSS SECTIONS

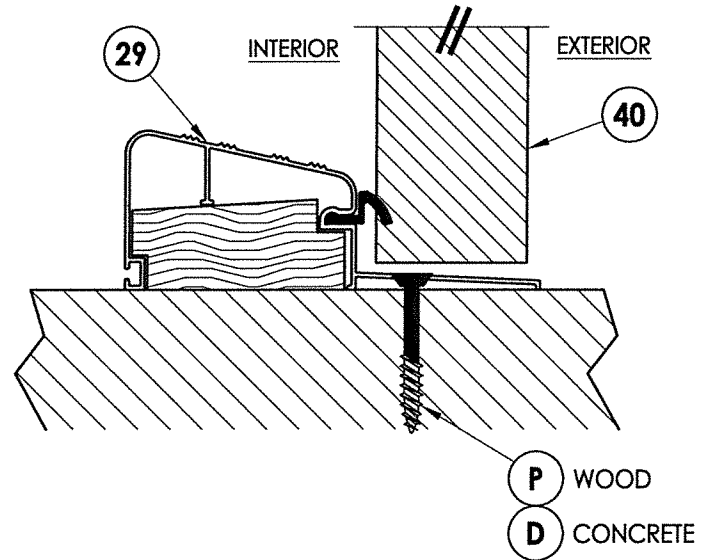
REVISIONS	
NO.	DATE

DATE: 4/29/19  
 SCALE: N.T.S.  
 DWG. BY: MT  
 CHK. BY: LFS  
 DRAWING NO.: TX-4925  
 SHEET 4 OF 7

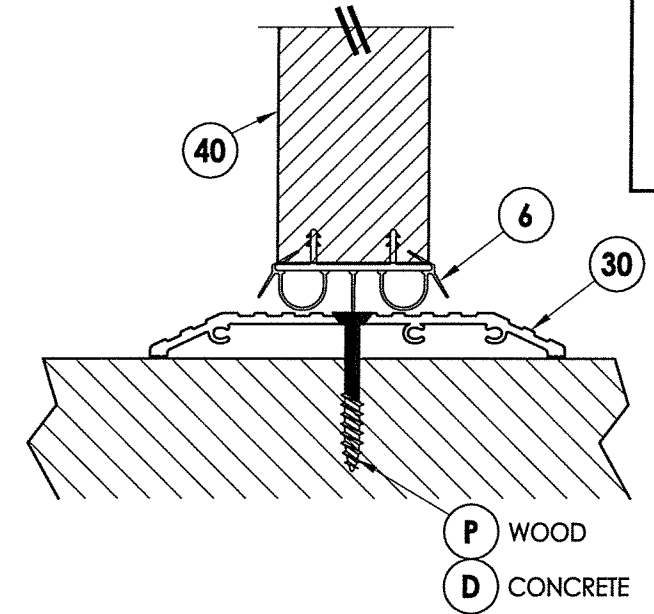
R:\Clients\Plaspro, Inc PERMANENT\B - TD\TDI - DR-XXX Direct Glazed Non-Impact\C - Drawings\TX-4925.dwg, 5



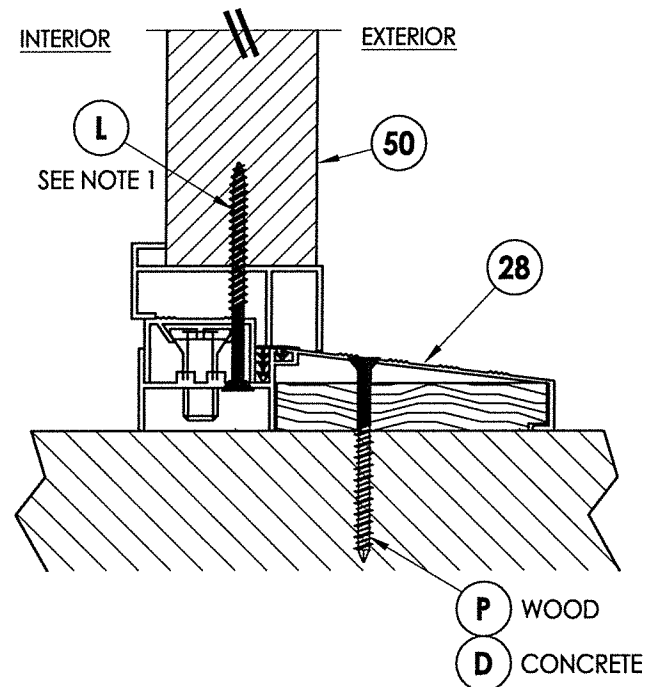
**1**  
**5** VERTICAL CROSS SECTION  
Inswing sill



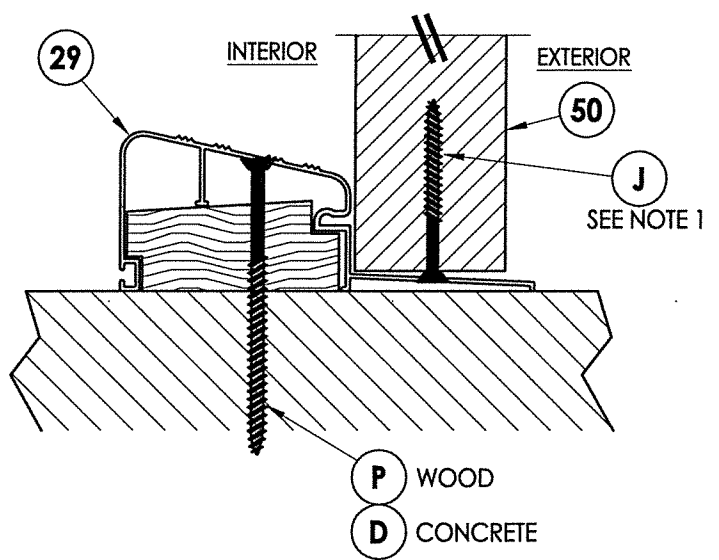
**2**  
**5** VERTICAL CROSS SECTION  
Outswing sill



**3**  
**5** VERTICAL CROSS SECTION  
ADA Sill

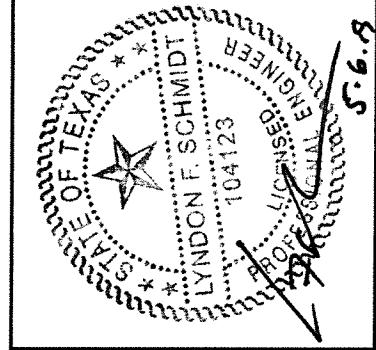


**4**  
**5** VERTICAL CROSS SECTION  
Inswing sill



**5**  
**5** VERTICAL CROSS SECTION  
Outswing sill

NOTE:  
1. Spacing for item J & L @ head & sill: 6" from each end (2 total).

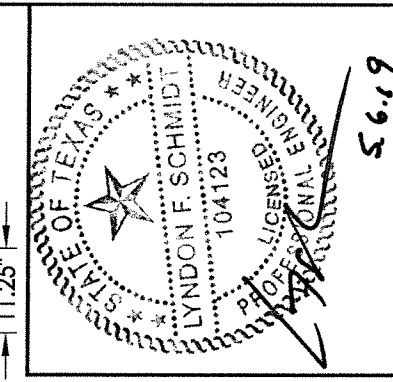
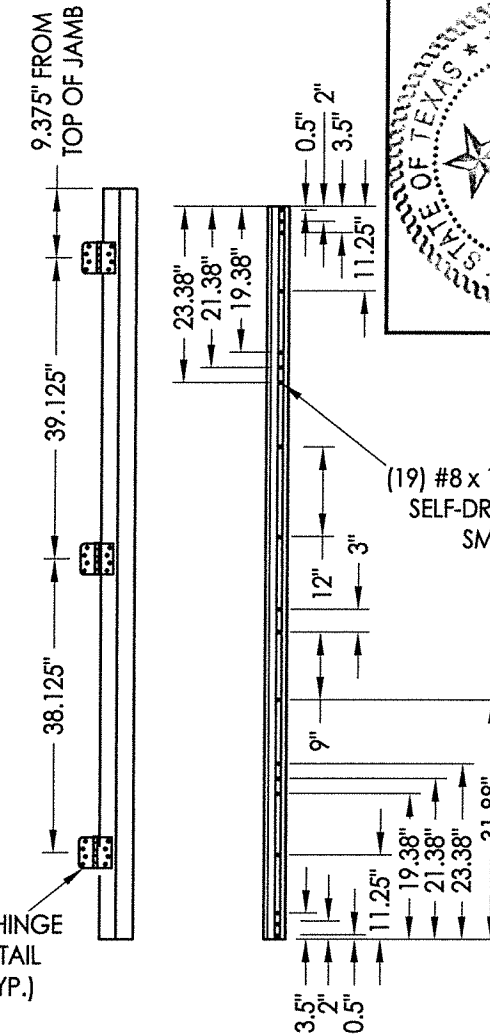
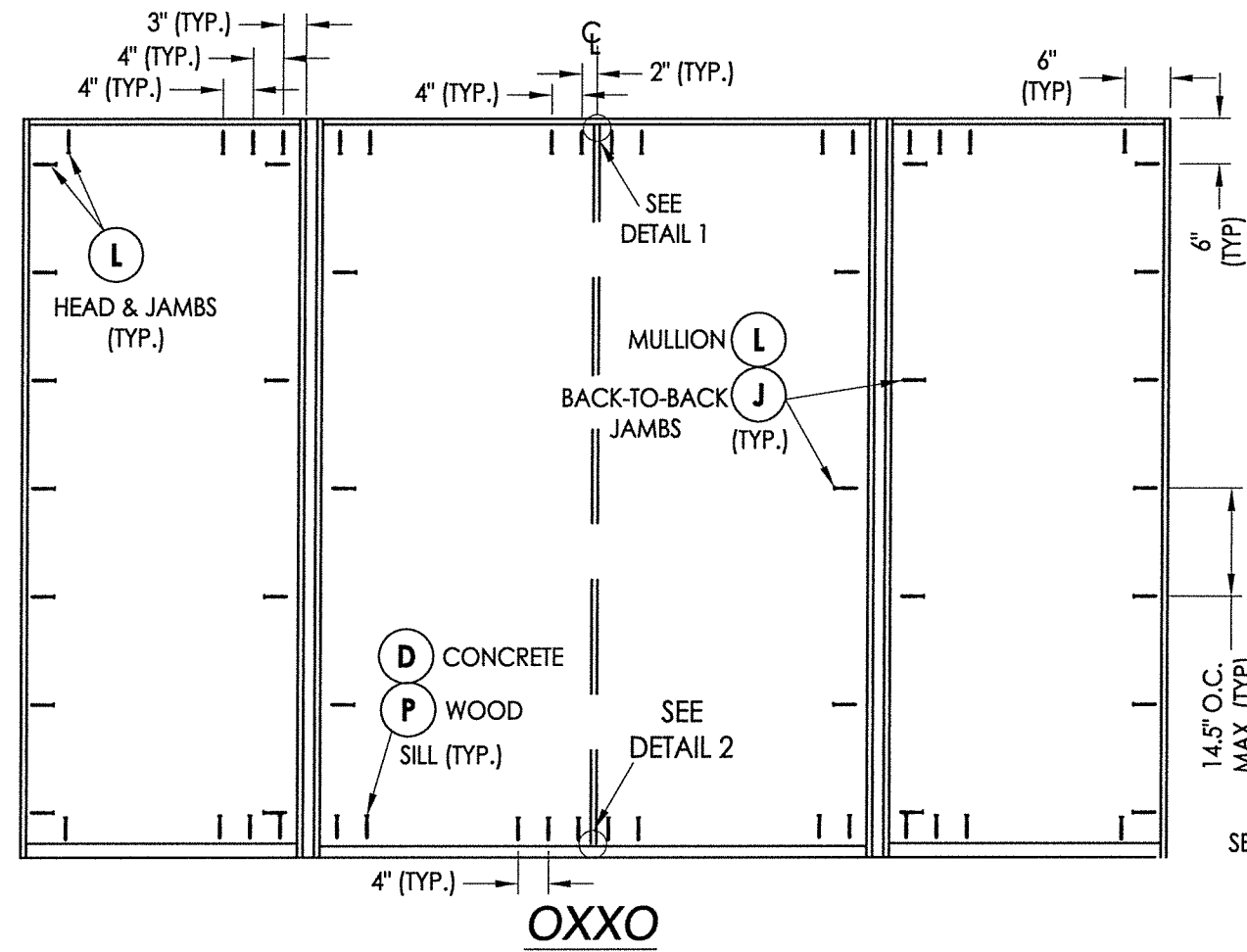
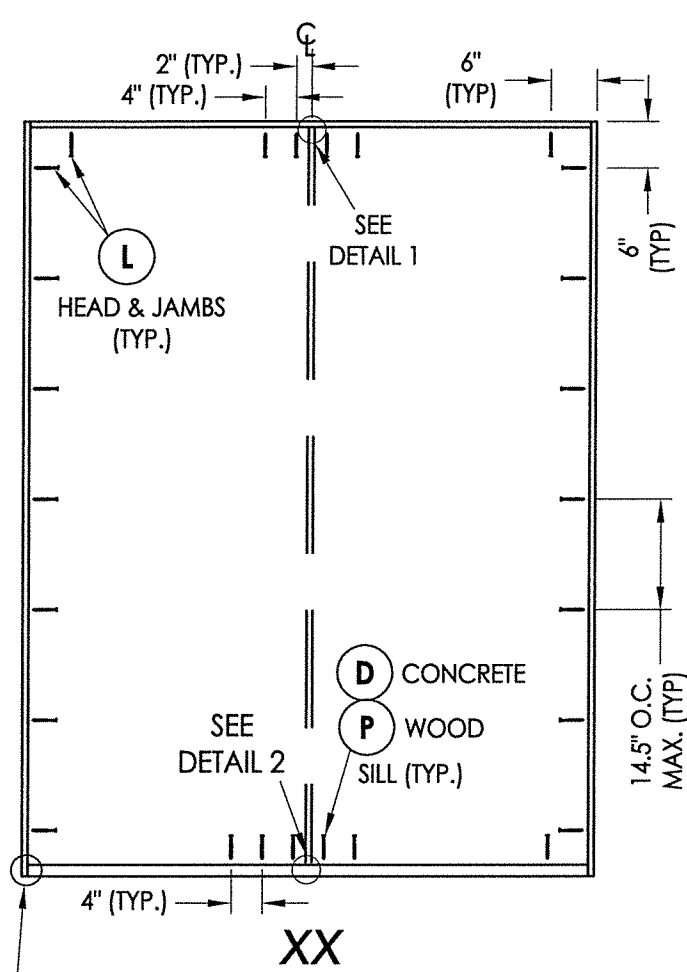


Documents Prepared By: Lyndon F. Schmidt, P.E.  
TEXAS P.E. #104123

**RW** BUILDING CONSULTANTS, INC.  
P.O. Box 230 Valrico FL, 33595  
Phone No.: 813.659.9197

TEXAS BOARD OF PROFESSIONAL ENGINEERS  
CERTIFICATE OF REGISTRATION # F-11852

PRODUCT: PLASPRO INC. FIBERGLASS DOOR	
PART OR ASSEMBLY: VERTICAL CROSS SECTIONS	
NO.	DATE
BY	
REVISIONS	
DATE: 4/29/19	
SCALE: N.T.S.	
DWG. BY: MT	
CHK. BY: LFS	
DRAWING NO.: TX-4925	
SHEET 5 OF 7	



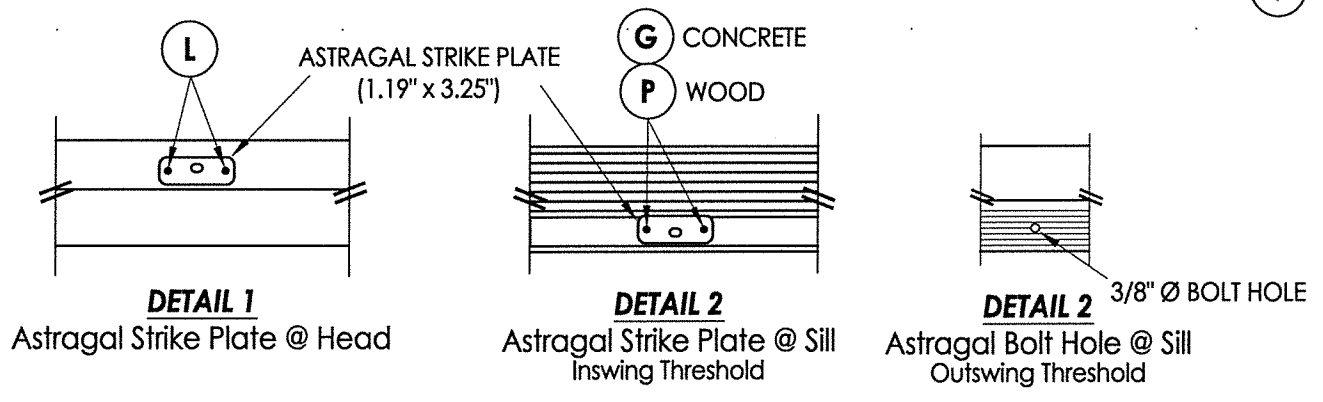
Documents Prepared By: Lyndon F. Schmidt, P.E.  
TEXAS P.E. #104123

**RW** BUILDING CONSULTANTS, INC.  
P.O. Box 230 Valrico FL 33595  
Phone No.: 813.659.9197

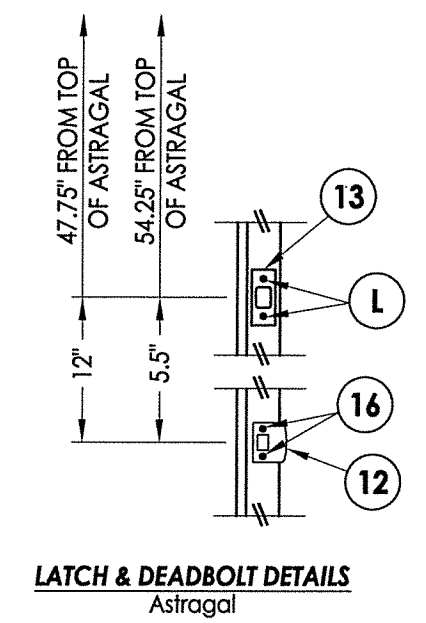
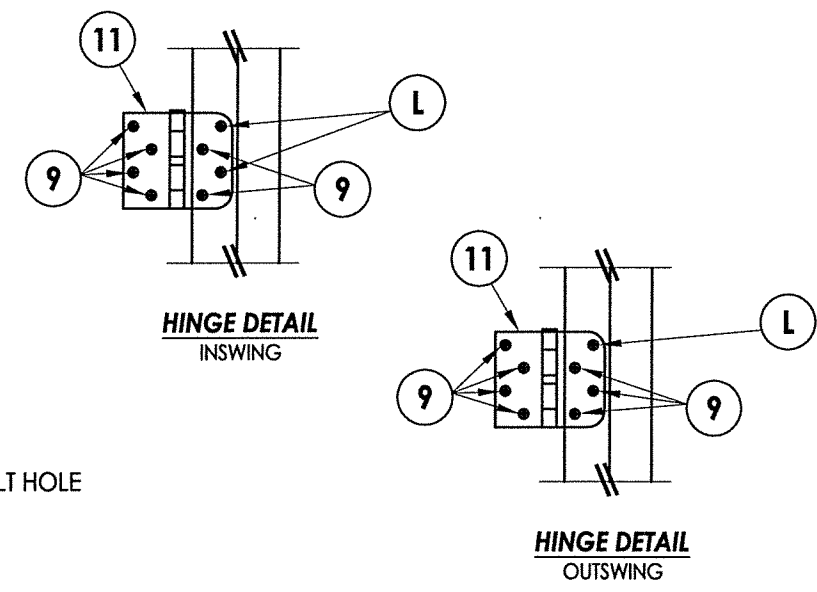
TEXAS BOARD OF PROFESSIONAL ENGINEERS  
CERTIFICATE OF REGISTRATION # F-11852

**FRAME ANCHORING**

NOTE: FRAME CORNERS ATTACHED w/  
(3) #10 X 2-1/2" FH WOOD SCREWS (TYP.)



**HARDWARE DETAILS**

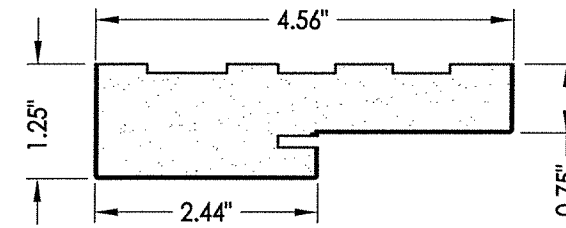


**LATCH & DEADBOLT DETAILS**  
Astragal

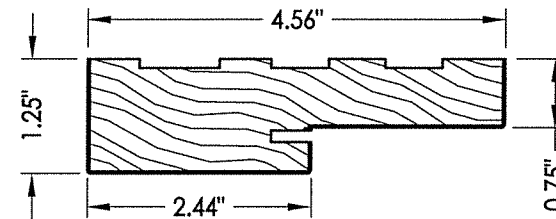
PRODUCT: PLASTPRO INC. FIBERGLASS DOOR	
PART OR ASSEMBLY: FRAME ANCHORING & HARDWARE DETAILS	
NO.	DATE
BY	REVISIONS
DATE: 4/29/19	
SCALE: N.T.S.	
DWG. BY: MT	
CHK. BY: LFS	
DRAWING NO.: TX-4925	
SHEET 6 OF 7	

**BILL OF MATERIALS**

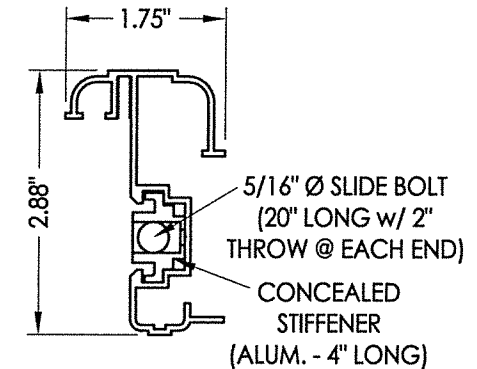
ITEM #	DESCRIPTION	MATERIAL
A	2X FRAMING (G >= 0.42)	WOOD
C	1/4" MAX. SHIM SPACE	-
D	1/4" Ø PFH ELCO OR ITW CONCRETE SCREW (1-3/4" MIN. EMBEDMENT)	STEEL
G	3/16" Ø PFH ITW CONCRETE SCREW (1-3/4" MIN. EMB.)	STEEL
J	#10 X 2" PFH WOOD SCREW	STEEL
L	#10 X 2-1/2" PFH WOOD SCREW (1.15" MIN. EMB.)	STEEL
P	#10 PFH WOOD SCREW (1-1/2" MIN. EMB.)	STEEL
1	POLY FIBER JAMB	COMP
2	FINGER JOINT PINE JAMB	WOOD
6	DOOR SWEEP	PVC
7	WEATHERSTRIP	FOAM
9	#9 X 3/4" PFH WOOD SCREW	STEEL
11	4" X 4" HINGE	STEEL
12	LATCH STRIKE PLATE	STEEL
13	DEADBOLT STRIKE PLATE	STEEL
16	#8 X 2-1/2" PFH WOOD SCREW	STEEL
27	INSWING THRESHOLD	ALUM/COMP
28	INSWING THRESHOLD w/ SIDELITE ADAPTER	ALUM/COMP
29	OUTSWING THRESHOLD	ALUM/COMP
30	ADA THRESHOLD	ALUM
35	ASTRAGAL (DLP)	ALUM
40	DOOR PANEL	-
50	SIDELITE PANEL	-



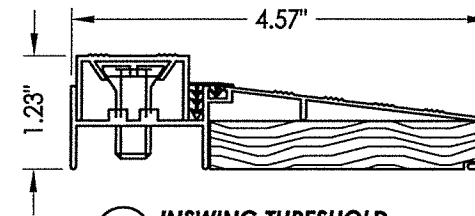
**1 POLY FIBER JAMB**  
Plastpro PF Jamb



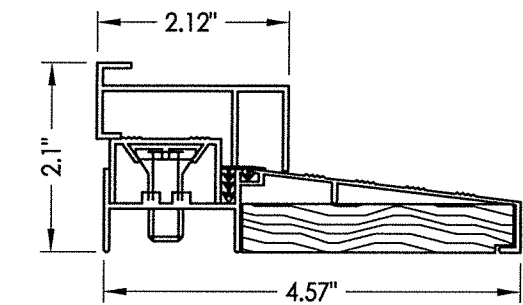
**2 FINGER JOINT PINE JAMB**



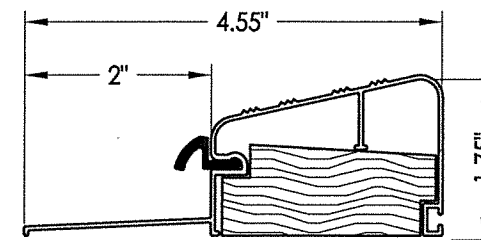
**35 DLP ASTRAGAL**



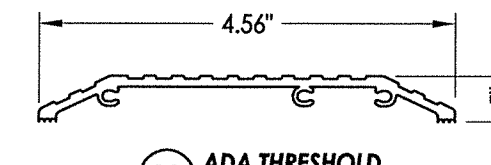
**27 INSWING THRESHOLD**  
DLP



**28 INSWING THRESHOLD w/ SIDELITE ADAPTER**  
DLP



**29 OUTSWING THRESHOLD**  
DLP (QOSR)



**30 ADA THRESHOLD**  
DLP

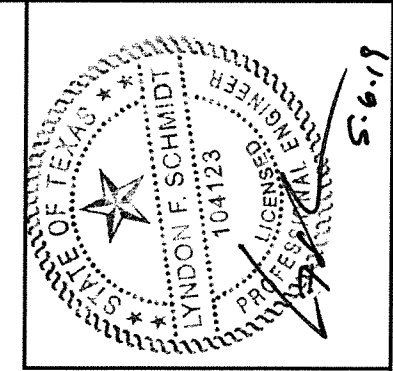
**CONCRETE ANCHOR NOTES:**

- Concrete anchor locations at the corners may be adjusted to maintain the min. edge distance to mortar joints.
- Concrete anchor locations noted as "MAX. ON CENTER" must be adjusted to maintain the min. edge distance to mortar joints, additional concrete anchors may be required to ensure the "MAX. ON CENTER" dimension are not exceeded.
- Concrete anchor table:

ANCHOR TYPE	ANCHOR SIZE	MIN. EMBEDMENT	MIN. CLEARANCE TO MASONRY EDGE	MIN. CLEARANCE TO ADJACENT ANCHOR
ITW BUILDEX TAPCON®	3/16"	1-3/4"	3"	1-1/2"
	1/4"	1-3/4"	2"	4"
ELCO ULTRACON®	1/4"	1-3/4"	1"	4"

**WOOD SCREW INSTALLATION NOTES:**

- Maintain a minimum 5/8" edge distance, 1" end distance, & 1" o.c. spacing of wood screws to prevent the splitting of wood.



Documents Prepared By: Lyndon F. Schmidt, P.E.  
TEXAS P.E. #104123

**RW** BUILDING CONSULTANTS, INC.  
P.O. Box 230 Vairico FL 33595  
Phone No.: 813.659.9197  
TEXAS BOARD OF PROFESSIONAL ENGINEERS  
CERTIFICATE OF REGISTRATION # F-11852

PRODUCT: PLASTPRO INC. FIBERGLASS DOOR  
PART OR ASSEMBLY: BILL OF MATERIALS & COMPONENTS

NO.	DATE	BY	REVISIONS

DATE: 4/29/19  
SCALE: N.T.S.  
DWG. BY: MT  
CHK. BY: LFS  
DRAWING NO.: TX-4925  
SHEET 7 OF 7