

REVISIONS			
REV	DESCRIPTION	DATE	APPROVED

NOTES:

- THE PRODUCT SHOWN HEREIN IS DESIGNED AND MANUFACTURED TO COMPLY WITH REQUIREMENTS OF THE 2006 IBC AND THE 2006 IRC WITH STATE OF TEXAS MODIFICATIONS AND WITH 2009 IBC, 2009 IRC, 2012 IBC, 2012 IRC, 2015 IBC AND 2015 IRC.
- WOOD FRAMING AND MASONRY OPENING TO BE DESIGNED AND ANCHORED TO PROPERLY TRANSFER ALL LOADS TO STRUCTURE. FRAMING AND MASONRY OPENING IS THE RESPONSIBILITY OF THE ARCHITECT OR ENGINEER OF RECORD.
- 1X BUCK OVER MASONRY/CONCRETE IS OPTIONAL.
- WHERE SHIM OR BUCK THICKNESS IS LESS THAN 1-1/2" WINDOW UNITS MUST BE ANCHORED THROUGH THE FRAME IN ACCORDANCE WITH MANUFACTURER'S PUBLISHED INSTALLATION INSTRUCTIONS. ANCHORS SHALL BE SECURELY FASTENED DIRECTLY INTO MASONRY, CONCRETE OR OTHER STRUCTURAL SUBSTRATE MATERIAL.
- WHERE WOOD BUCK THICKNESS IS 1-1/2" OR GREATER, BUCK SHALL BE SECURELY FASTENED TO MASONRY, CONCRETE OR OTHER STRUCTURAL SUBSTRATE. WINDOW UNITS MAY BE ANCHORED THROUGH FRAME TO SECURED WOOD BUCK IN ACCORDANCE WITH MANUFACTURER'S PUBLISHED INSTALLATION INSTRUCTIONS.
- WHERE 1X BUCK IS NOT USED DISSIMILAR MATERIALS MUST BE SEPARATED WITH APPROVED COATING OR MEMBRANE. SELECTION OF COATING OR MEMBRANE IS THE RESPONSIBILITY OF THE ARCHITECT OR ENGINEER OF RECORD.
- BUCKS SHALL EXTEND BEYOND WINDOW INTERIOR FACE SO THAT FULL FRAME SUPPORT IS PROVIDED.
- SHIM AS REQUIRED AT EACH ANCHOR LOCATION WITH LOAD BEARING SHIM. SHIM WHERE SPACE OF 1/16" OR GREATER OCCURS. MAXIMUM ALLOWABLE SHIM STACK TO BE 1/4".
- SHIMS SHALL BE LOCATED, APPLIED AND MADE FROM MATERIALS AND THICKNESS CAPABLE OF SUSTAINING APPLICABLE LOADS.
- WIND LOAD DURATION FACTOR Cd=1.6 WAS USED FOR WOOD ANCHOR CALCULATIONS.
- FRAME MATERIAL: CO-EXTRUDED PVC FOAM.
- UNITS MUST BE GLAZED PER ASTM E1300-04/09, SEE SHEET 2 FOR GLAZING DETAILS.
- APPROVED IMPACT PROTECTIVE SYSTEM IS NOT REQUIRED FOR THIS PRODUCT IN WIND BORNE DEBRIS REGIONS.
- FOR ANCHORING INTO WOOD FRAMING OR 2X BUCK USE #10 WOOD SCREWS WITH SUFFICIENT LENGTH TO ACHIEVE A 1 1/4" MINIMUM EMBEDMENT INTO SUBSTRATE. LOCATE ANCHORS AS SHOWN IN ELEVATIONS AND INSTALLATION DETAILS.
- FOR ANCHORING INTO MASONRY/CONCRETE USE 3/16" TAPCONS WITH SUFFICIENT LENGTH TO ACHIEVE A 1 1/4" MINIMUM EMBEDMENT INTO SUBSTRATE WITH 2" MINIMUM EDGE DISTANCE. LOCATE ANCHORS AS SHOWN IN ELEVATIONS AND INSTALLATION DETAILS.
- FOR ANCHORING INTO METAL STRUCTURE USE #10 SMS OR SELF DRILLING SCREWS WITH SUFFICIENT LENGTH TO ACHIEVE 3 THREADS MINIMUM BEYOND STRUCTURE INTERIOR WALL. LOCATE ANCHORS AS SHOWN IN ELEVATIONS AND INSTALLATION DETAILS.
- ALL FASTENERS TO BE CORROSION RESISTANT.
- INSTALLATION ANCHORS SHALL BE INSTALLED IN ACCORDANCE WITH ANCHOR MANUFACTURER'S INSTALLATION INSTRUCTIONS AND ANCHORS SHALL NOT BE USED IN SUBSTRATES WITH STRENGTHS LESS THAN THE MINIMUM STRENGTH SPECIFIED BELOW:
  - WOOD - MINIMUM SPECIFIC GRAVITY OF G=0.42
  - CONCRETE - MINIMUM COMPRESSIVE STRENGTH OF 3,192 PSI.
  - MASONRY - STRENGTH CONFORMANCE TO ASTM C-90, GRADE N, TYPE 1 (OR GREATER).
  - METAL STRUCTURE: STEEL 18GA, 33KSI OR ALUMINUM 6063-T5 .048" THICK MINIMUM
- APPROVED CONFIGURATIONS: X, X/O, O/X, OX, XO, OX/O, XO/O, XX, XX/O, O/XX, OXX, XXO, OXX/O AND O/XXO, SEE SHEET 3.
- SIDELITES ARE ASSEMBLED TO FRAME WITH #10 X 3" WOOD SCREWS LOCATED 4" FROM EACH END AND 19 1/8" MAX O.C. THEREAFTER AT JAMBS AND 4" FROM EACH END AND ONE AT MIDSPAN AT HEAD AND SILL.

SIGNED: 08/06/2019

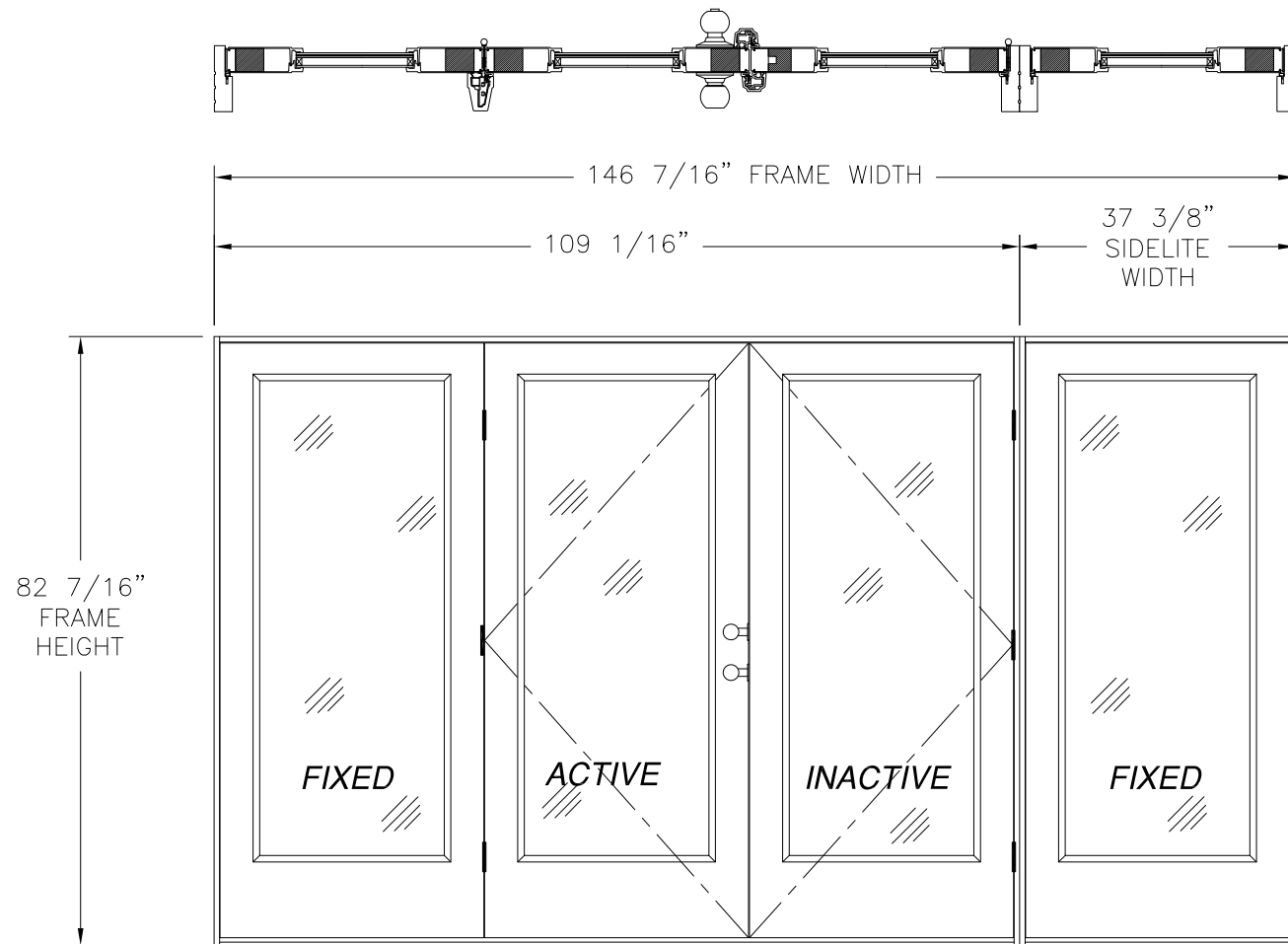
TABLE OF CONTENTS	
SHEET NO.	DESCRIPTION
1	NOTES
2	ELEVATION
3	APPROVED CONFIGURATIONS
4 - 5	ANCHORING LAYOUTS
6 - 12	INSTALLATION DETAILS
13 - 14	COMPONENTS

NAN YA PLASTICS CORPORATION U.S.A. 8989 NORTH LOOP EAST HOUSTON, TX 77029		
SERIES "SLPS" GLAZED FIBERGLASS INSWING SIDE-HINGED DOOR W/SIDELITES - IMPACT NOTES		
DRAWN: A.R.	DWG NO. 08-03313	REV -
SCALE NTS	DATE 09/27/18	SHEET 1 OF 14
L. ROBERTO LOMAS P.E. 1432 WOODFORD RD LEWISVILLE, NC 27023 434-688-0609 rllomas@lrlomaspe.com		

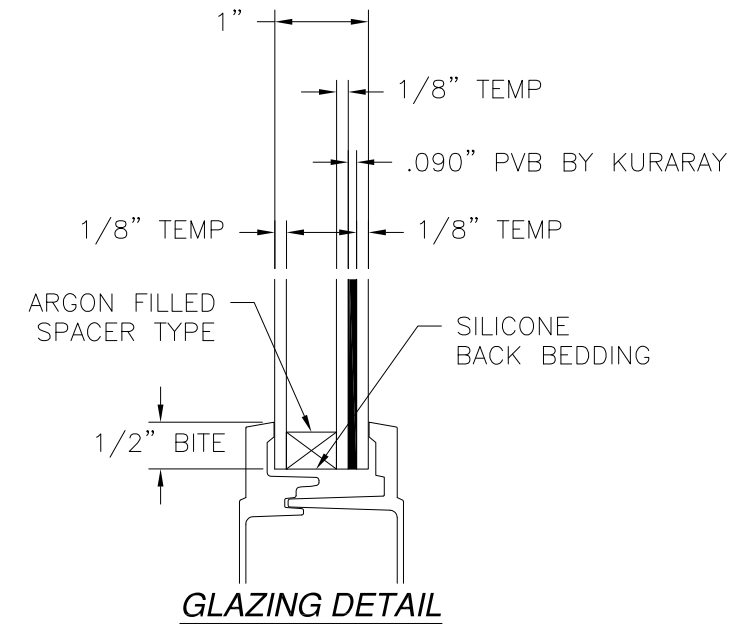


Luis R. Lomas P.E.  
TX No.: 101889

REVISIONS			
REV	DESCRIPTION	DATE	APPROVED



- NOTES:  
 1. PANEL SIZE: 35 3/4" X 79 1/4"  
 2. D.L.O.: 25" X 63"



**SERIES SLPS IN-SWING SIDE-HINGED DOOR W/SIDELITES**  
 EXTERIOR VIEW

DESIGN PRESSURE RATING	IMPACT RATING
±40.0PSF	LARGE AND SMALL MISSILE IMPACT

MISSILE LEVEL D, WIND ZONE 4

(4) PANELS SHOWN, UNLIMITED NUMBER OF PANELS IN UNLIMITED CONFIGURATIONS ARE APPROVED AS LONG AS INDIVIDUAL PANEL AREA DOES NOT EXCEED 19.67 FT<sup>2</sup>

**HARDWARE SCHEDULE**

A.	HANDLE SETS AT ACTIVE PANEL
B.	STAINLESS STEEL FLUSH BOLT BAR WITH STRIKE PLATES AT PASSIVE PANEL
C.	FLUSH BOLT MECHANISM (DIE CAST, STEEL, POM) AT PASSIVE PANEL
D.	STEEL DEADBOLT WITH KEEPER AT ACTIVE PANEL, AT 38 3/4" FROM FRAME HEAD
E.	STEEL LATCH WITH KEEPER AT ACTIVE PANEL, AT 44 1/4" FROM FRAME HEAD
F.	(3) 4X4 DOOR HINGE AT STILE OF ACTIVE AND PASSIVE PANEL, AT 8 5/8", 40 3/8" AND 72 3/16" FROM FRAME HEAD
G.	T-ASTRAGAL AT ACTIVE AND PASSIVE PANELS
H.	ALUMINUM REINFORCEMENT (A) AT ASTRAGAL
I.	ALUMINUM MULLION REINFORCEMENT (B) AT INTEGRAL MULLION

SIGNED: 08/06/2019

NAN YA PLASTICS CORPORATION U.S.A.  
 8989 NORTH LOOP EAST  
 HOUSTON, TX 77029

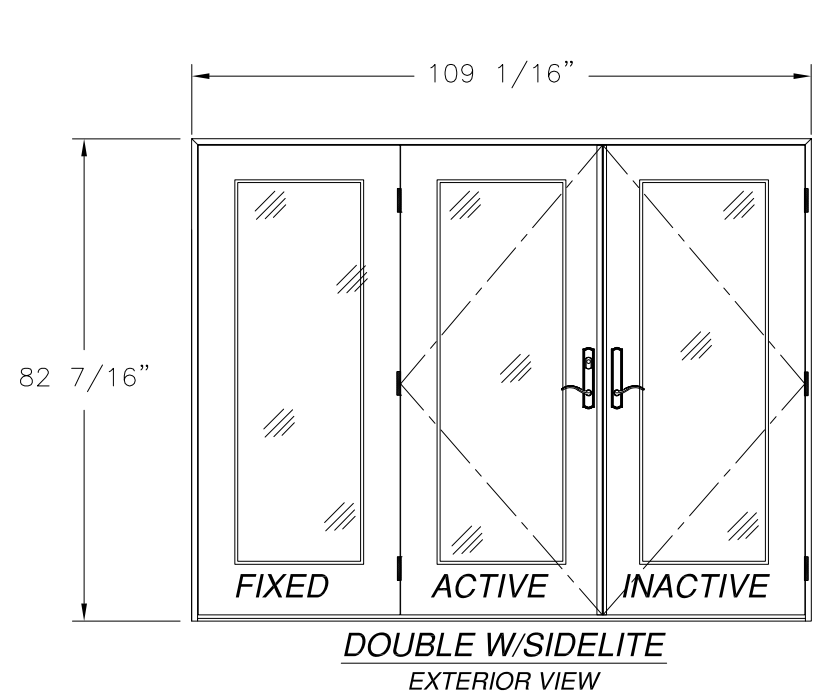
SERIES "SLPS" GLAZED FIBERGLASS INSWING  
 SIDE-HINGED DOOR W/SIDELITES - IMPACT  
 ELEVATION

DRAWN: A.R.	DWG NO. 08-03313	REV -
SCALE NTS	DATE 09/27/18	SHEET 2 OF 14

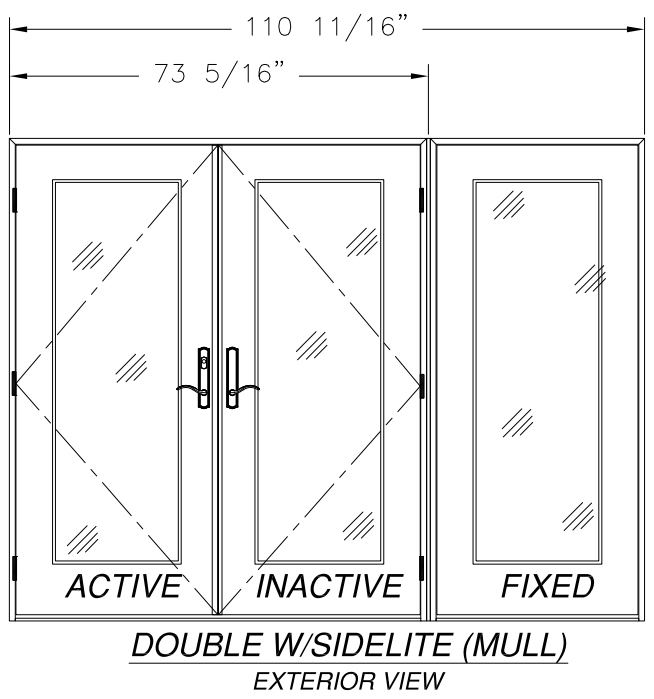
L. ROBERTO LOMAS P.E.  
 1432 WOODFORD RD LEWISVILLE, NC 27023  
 434-688-0609 rllomas@lrlomaspe.com



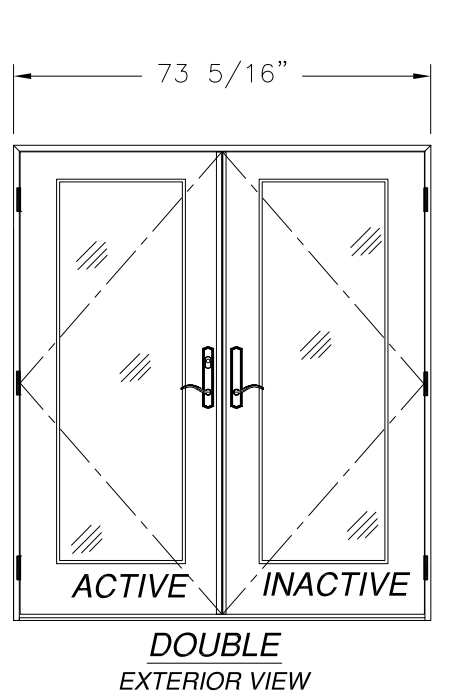
Luis R. Lomas P.E.  
 TX No.: 101889



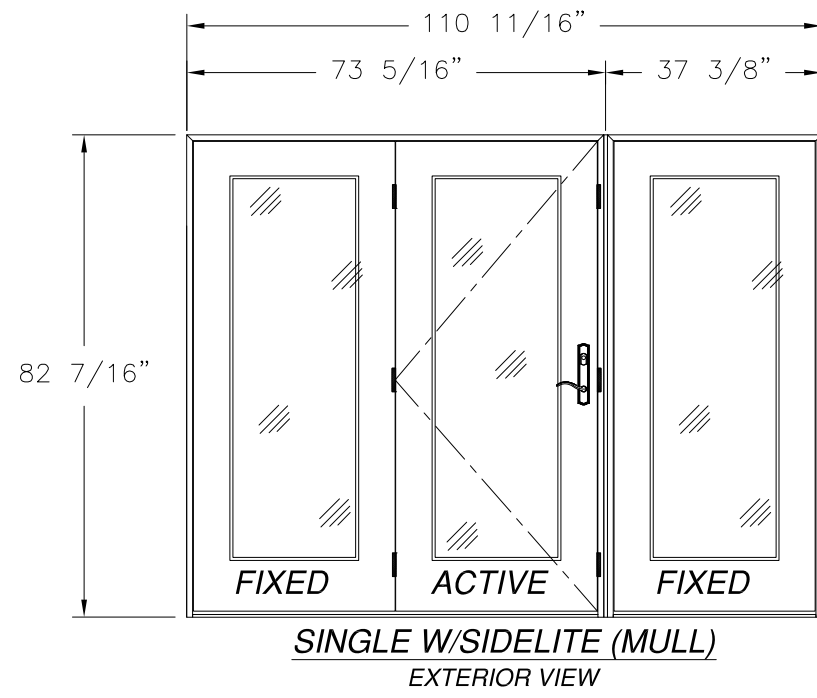
**DOUBLE W/SIDELITE**  
EXTERIOR VIEW



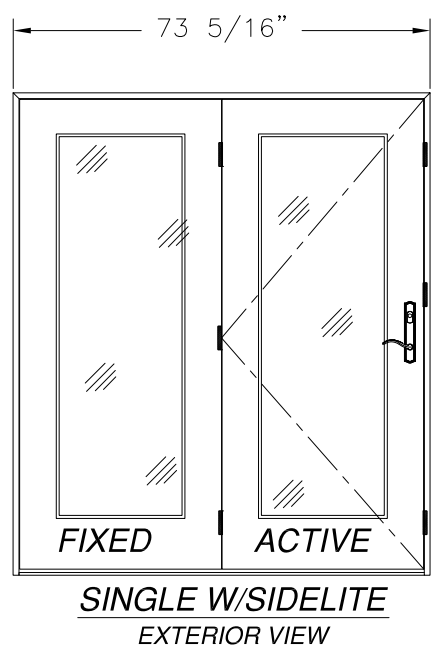
**DOUBLE W/SIDELITE (MULL)**  
EXTERIOR VIEW



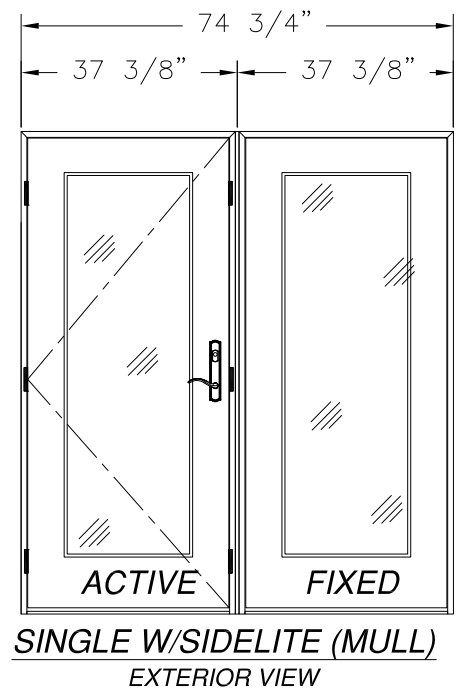
**DOUBLE**  
EXTERIOR VIEW



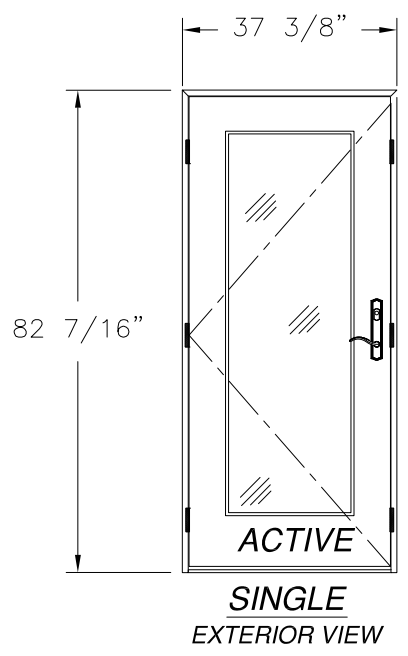
**SINGLE W/SIDELITE (MULL)**  
EXTERIOR VIEW



**SINGLE W/SIDELITE**  
EXTERIOR VIEW



**SINGLE W/SIDELITE (MULL)**  
EXTERIOR VIEW



**SINGLE**  
EXTERIOR VIEW

REVISIONS			
REV	DESCRIPTION	DATE	APPROVED

NOTE:  
ALL APPROVED CONFIGURATIONS ARE SHOWN AS LEFT  
HAND ACTIVE, RIGHT HAND ACTIVE IS ALSO APPROVED.

SIGNED: 08/06/2019

NAN YA PLASTICS CORPORATION U.S.A.  
8989 NORTH LOOP EAST  
HOUSTON, TX 77029

SERIES "SLPS" GLAZED FIBERGLASS INSWING  
SIDE-HINGED DOOR W/SIDELITES - IMPACT  
APPROVED CONFIGURATIONS

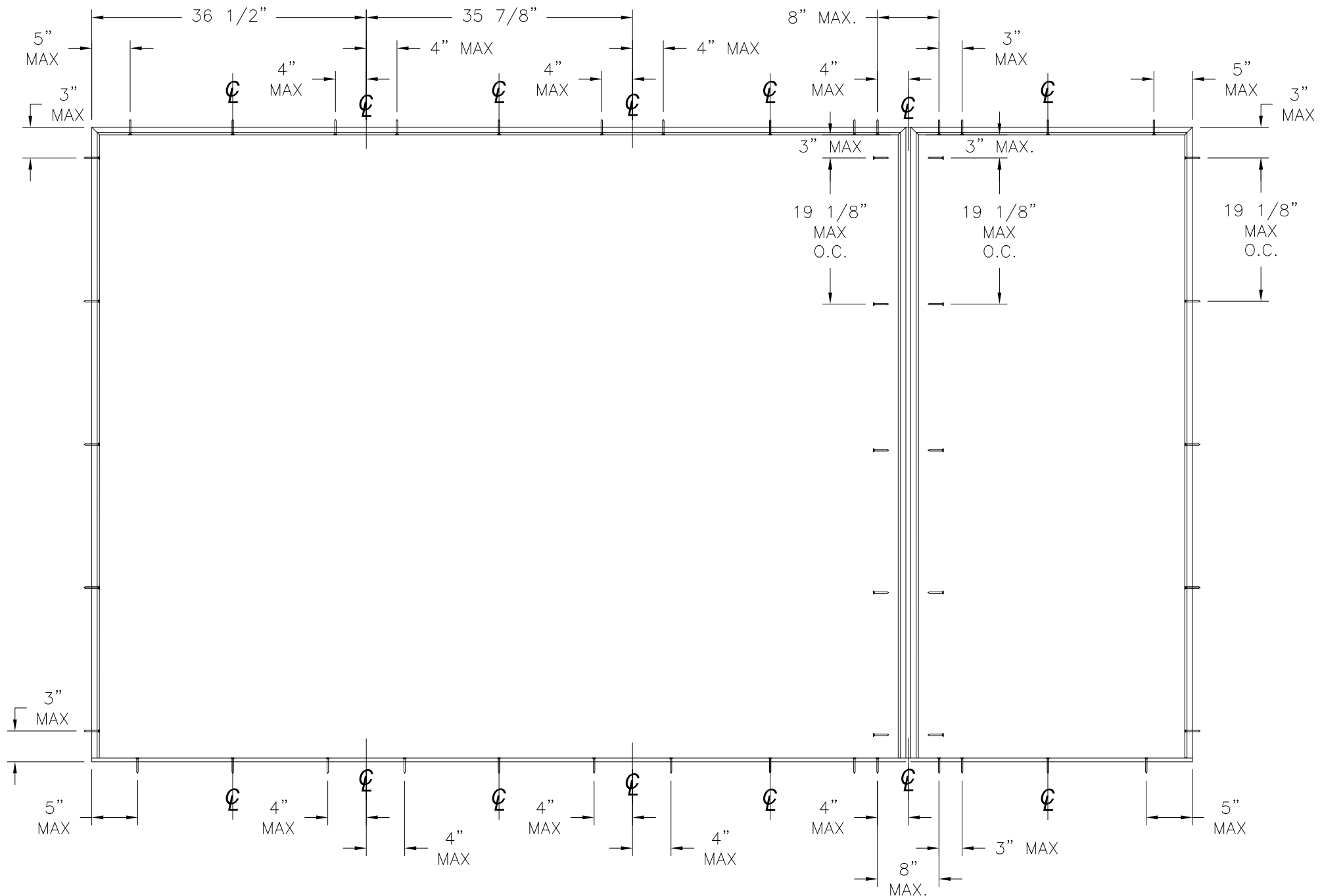
DRAWN: A.R.	DWG NO. 08-03313	REV -
SCALE NTS	DATE 09/27/18	SHEET 3 OF 14

L. ROBERTO LOMAS P.E.  
1432 WOODFORD RD LEWISVILLE, NC 27023  
434-688-0609 rllomas@lrlomaspe.com



Luis R. Lomas P.E.  
TX No.: 101889

REVISIONS			
REV	DESCRIPTION	DATE	APPROVED



ANCHORING LAYOUT

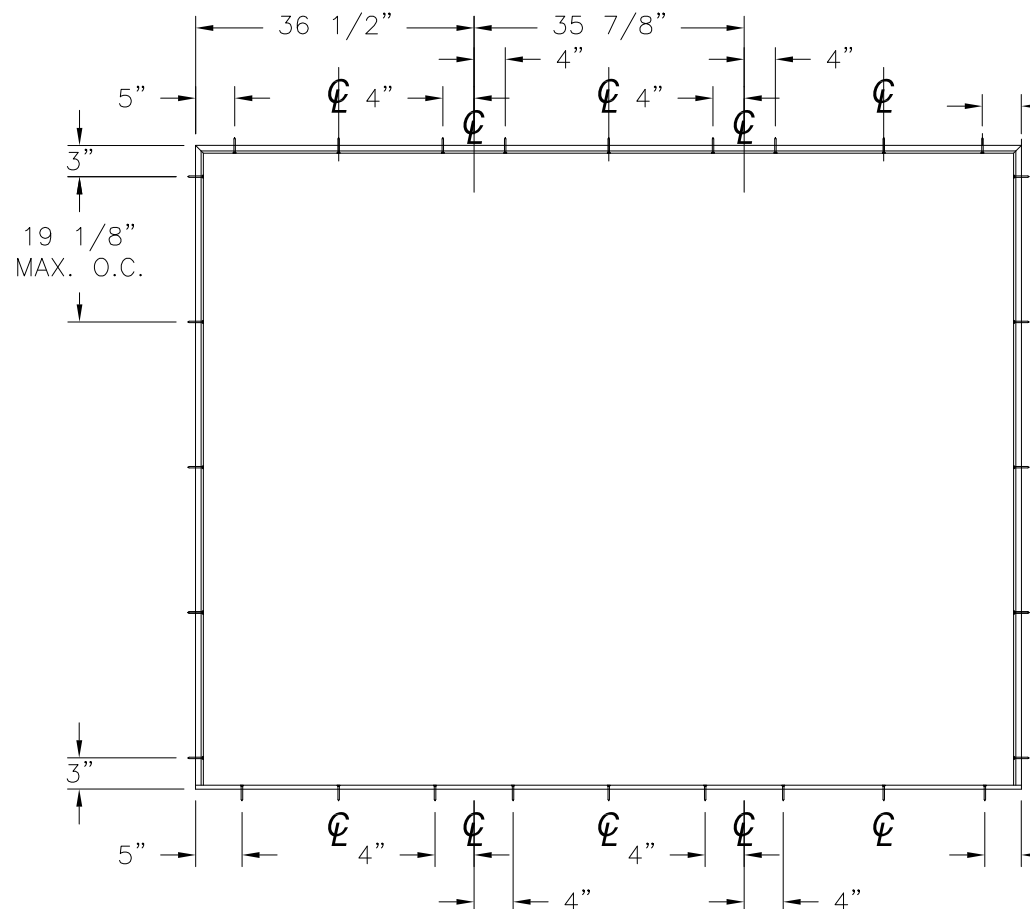
SIGNED: 08/06/2019

NAN YA PLASTICS CORPORATION U.S.A. 8989 NORTH LOOP EAST HOUSTON, TX 77029		
SERIES "SLPS" GLAZED FIBERGLASS INSWING SIDE-HINGED DOOR W/SIDELITES - IMPACT ANCHORING LAYOUT		
DRAWN: A.R.	DWG NO. 08-03313	REV -
SCALE NTS	DATE 09/27/18	SHEET 4 OF 14
L. ROBERTO LOMAS P.E. 1432 WOODFORD RD LEWISVILLE, NC 27023 434-688-0609 rllomas@lrlomaspe.com		

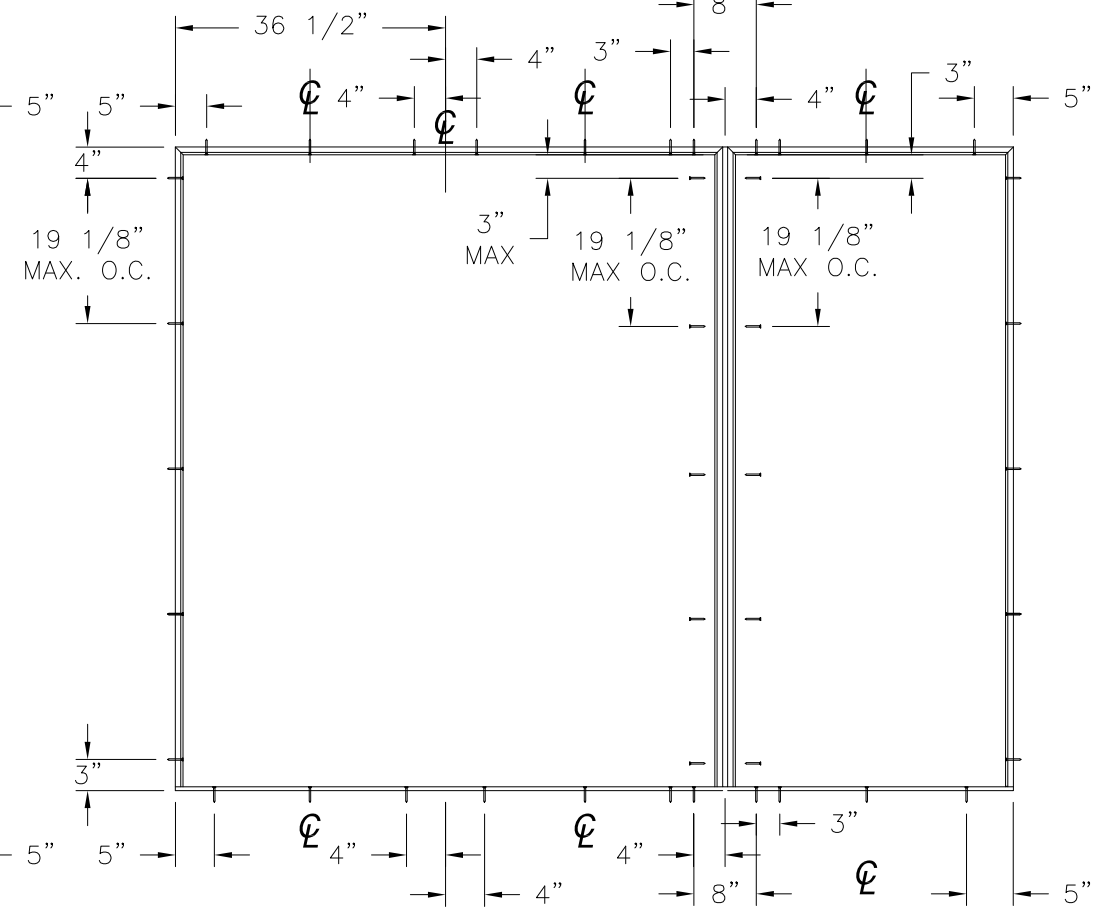


Luis R. Lomas P.E.  
 TX No.: 101889

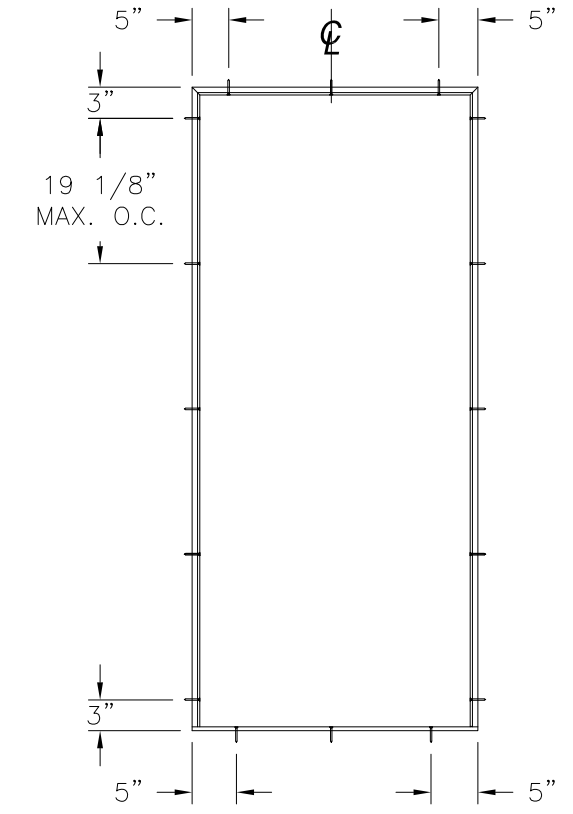
REVISIONS			
REV	DESCRIPTION	DATE	APPROVED



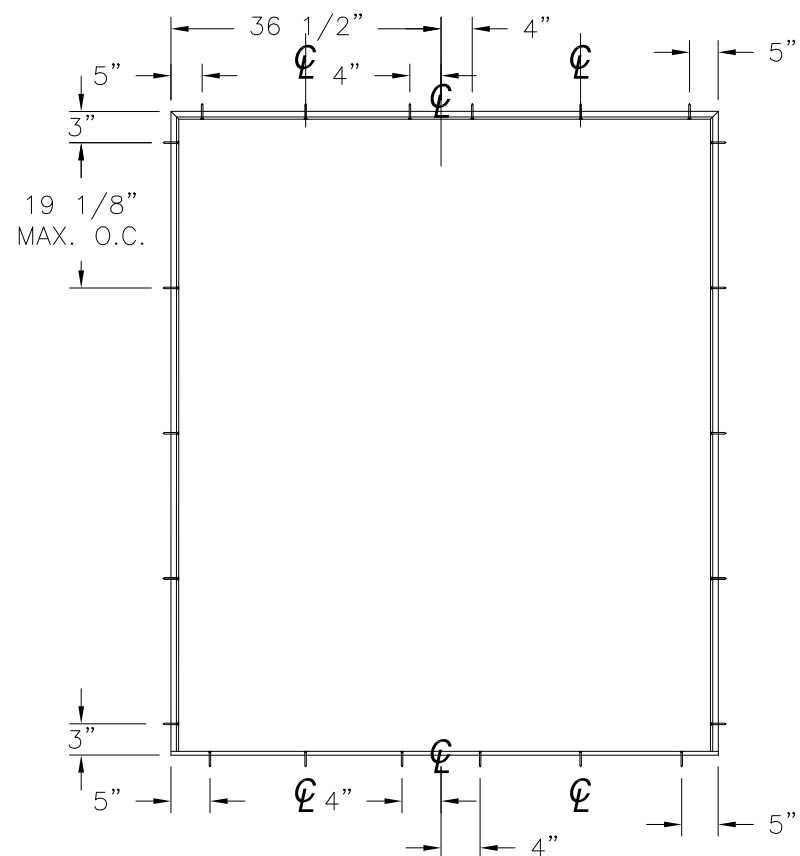
**ANCHORING LAYOUT FOR OXO, XXO AND OXX**



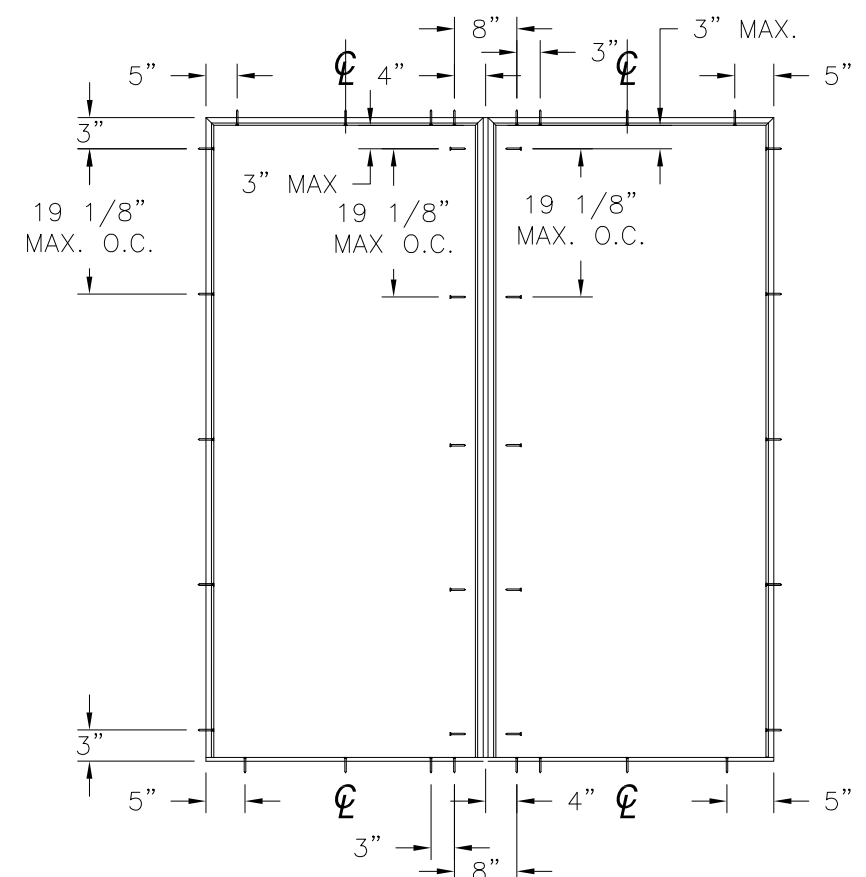
**ANCHORING LAYOUT FOR OXO, XXO AND OXX (MULL)**



**ANCHORING LAYOUT FOR X**



**ANCHORING LAYOUT FOR XX, OX AND XO**



**ANCHORING LAYOUT FOR OX AND XO (MULL)**

**NAN YA PLASTICS CORPORATION U.S.A.**  
 8989 NORTH LOOP EAST  
 HOUSTON, TX 77029

SERIES "SLPS" GLAZED FIBERGLASS INSWING  
 SIDE-HINGED DOOR W/SIDELITES - IMPACT  
 ANCHORING LAYOUTS

DRAWN: A.R.	DWG NO. 08-03313	REV -
SCALE NTS	DATE 09/27/18	SHEET 5 OF 14

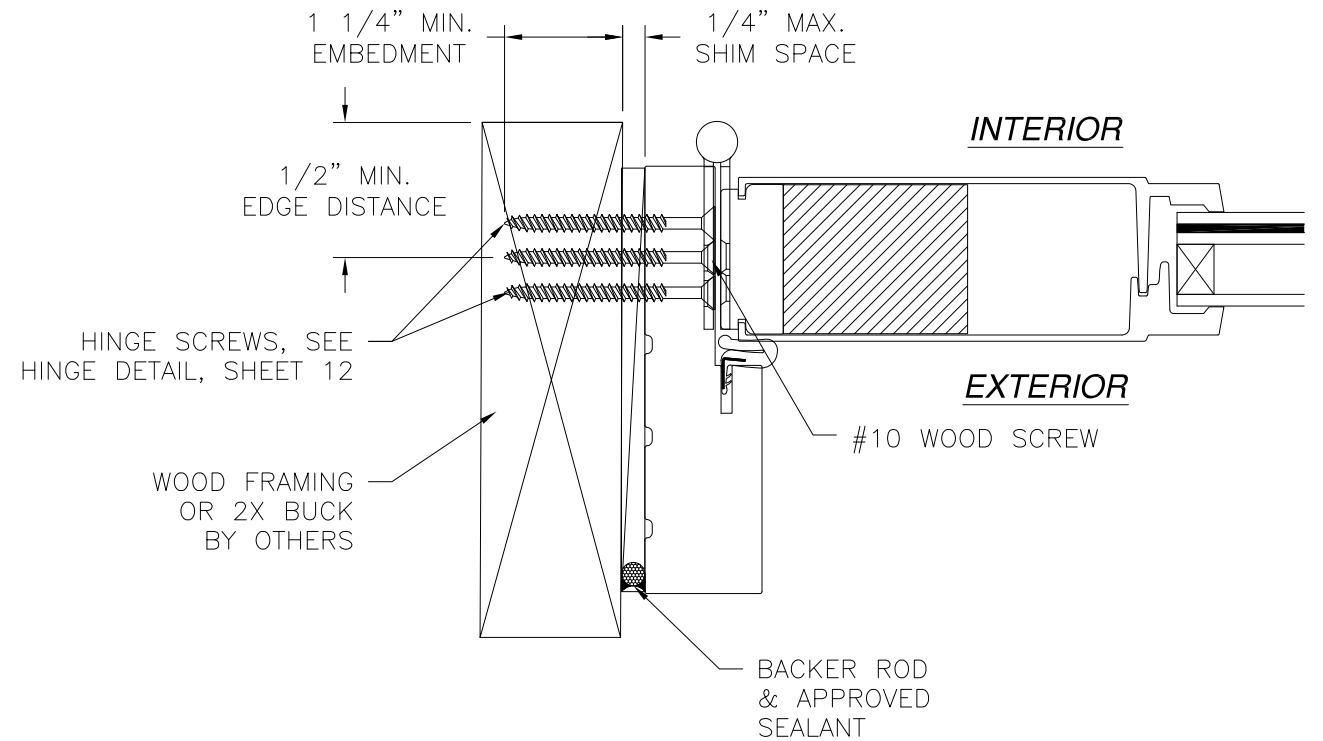
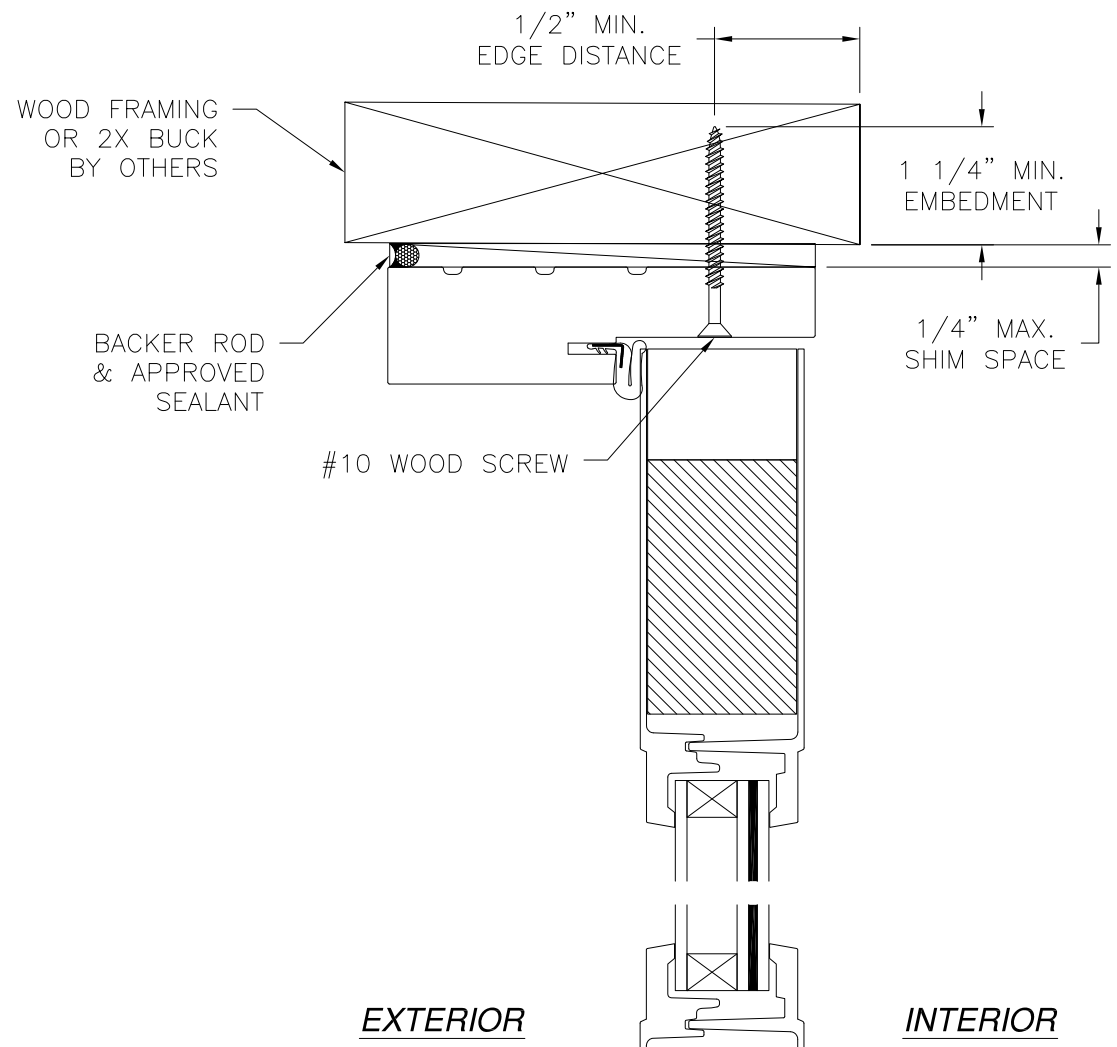
L. ROBERTO LOMAS P.E.  
 1432 WOODFORD RD LEWISVILLE, NC 27023  
 434-688-0609 rllomas@rlomaspe.com

SIGNED: 08/06/2019



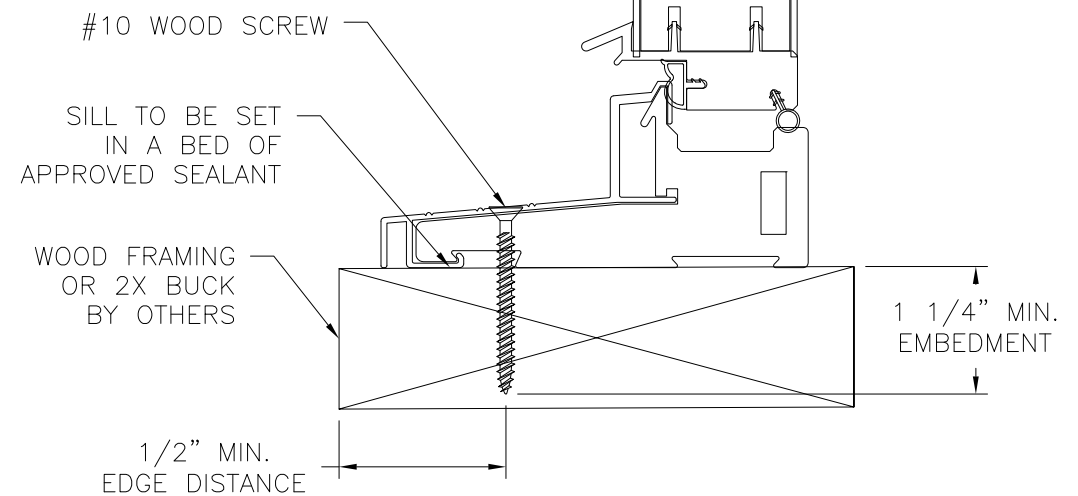
Luis R. Lomas P.E.  
 TX No.: 101889

REVISIONS			
REV	DESCRIPTION	DATE	APPROVED



**DOOR INSTALLATION DETAIL**  
WOOD FRAMING OR 2X BUCK INSTALLATION

- NOTES:**
1. INTERIOR AND EXTERIOR FINISHES, BY OTHERS, NOT SHOWN FOR CLARITY.
  2. PERIMETER AND JOINT SEALANT BY OTHERS TO BE DESIGNED IN ACCORDANCE WITH ASTM E2112



**DOOR INSTALLATION DETAIL**  
2X BUCK/WOOD FRAMING INSTALLATION

SIGNED: 08/06/2019

NAN YA PLASTICS CORPORATION U.S.A.  
8989 NORTH LOOP EAST  
HOUSTON, TX 77029

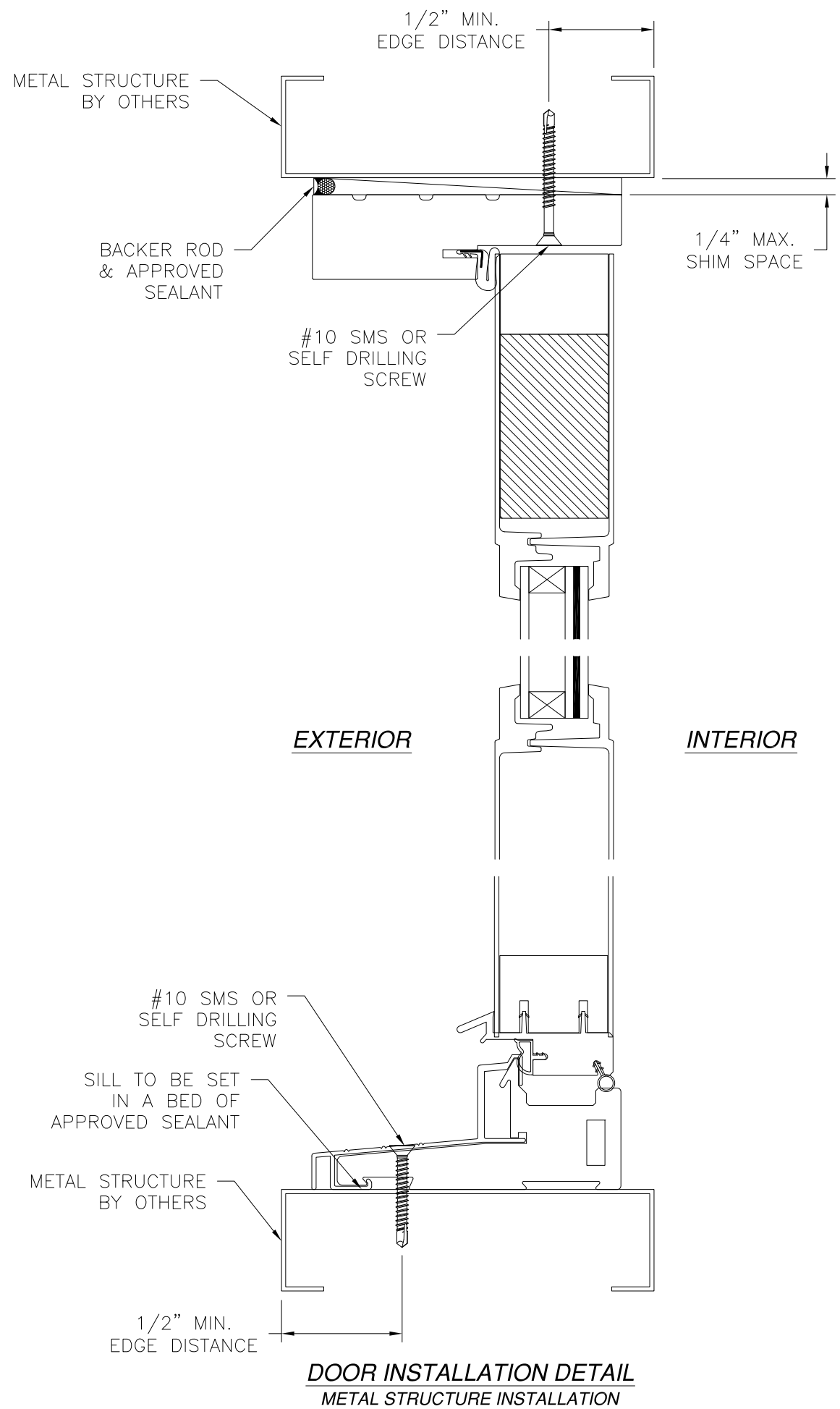
SERIES "SLPS" GLAZED FIBERGLASS INSWING  
SIDE-HINGED DOOR W/SIDELITES - IMPACT  
DOOR INSTALLATION DETAILS

DRAWN: A.R.	DWG NO. 08-03313	REV -
SCALE NTS	DATE 09/27/18	SHEET 6 OF 14

L. ROBERTO LOMAS P.E.  
1432 WOODFORD RD LEWISVILLE, NC 27023  
434-688-0609 rllomas@lrlomaspe.com

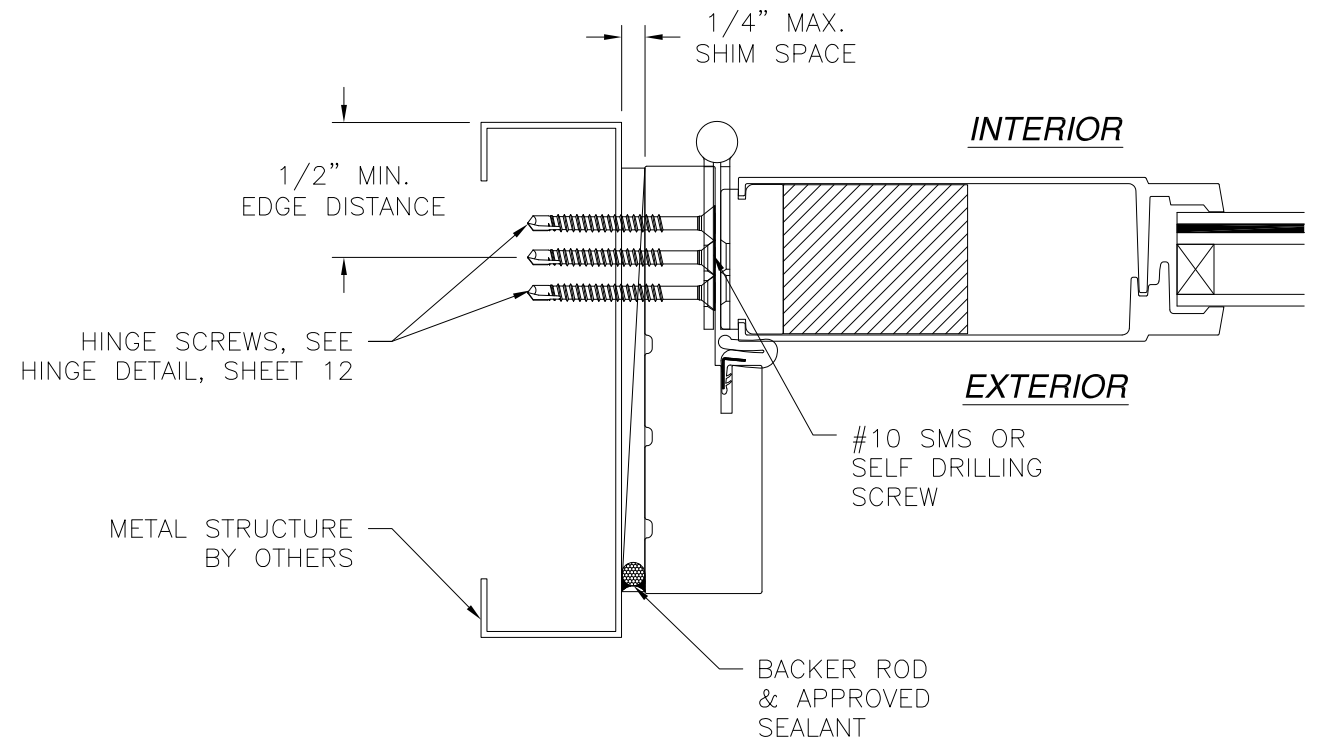


Luis R. Lomas P.E.  
TX No.: 101889



**DOOR INSTALLATION DETAIL**  
METAL STRUCTURE INSTALLATION

REVISIONS			
REV	DESCRIPTION	DATE	APPROVED



**DOOR INSTALLATION DETAIL**  
METAL STRUCTURE INSTALLATION

- NOTES:**
1. INTERIOR AND EXTERIOR FINISHES, BY OTHERS, NOT SHOWN FOR CLARITY.
  2. PERIMETER AND JOINT SEALANT BY OTHERS TO BE DESIGNED IN ACCORDANCE WITH ASTM E2112

SIGNED: 08/06/2019

NAN YA PLASTICS CORPORATION U.S.A.  
8989 NORTH LOOP EAST  
HOUSTON, TX 77029

SERIES "SLPS" GLAZED FIBERGLASS INSWING SIDE-HINGED DOOR W/SIDELITES - IMPACT DOOR INSTALLATION DETAILS

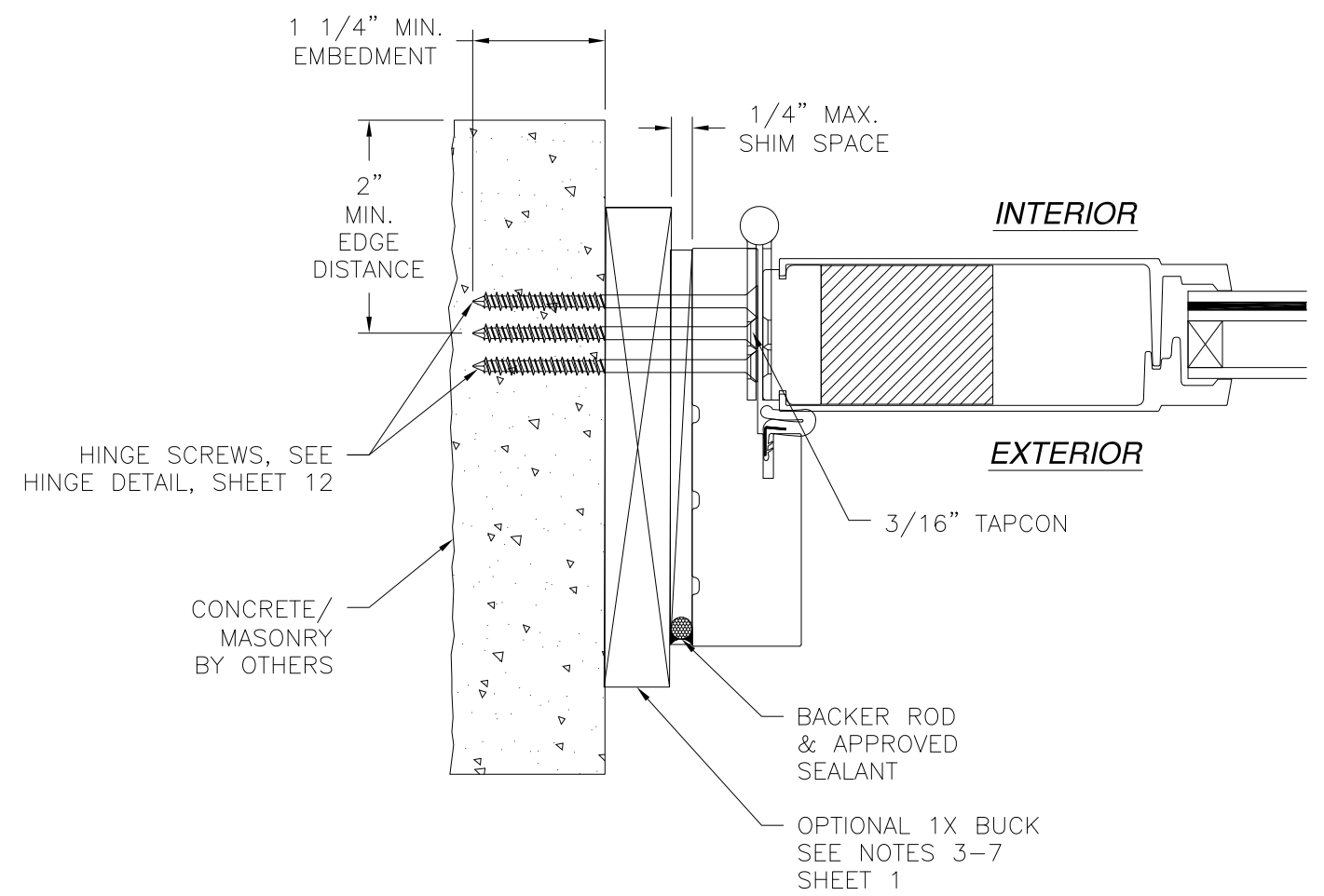
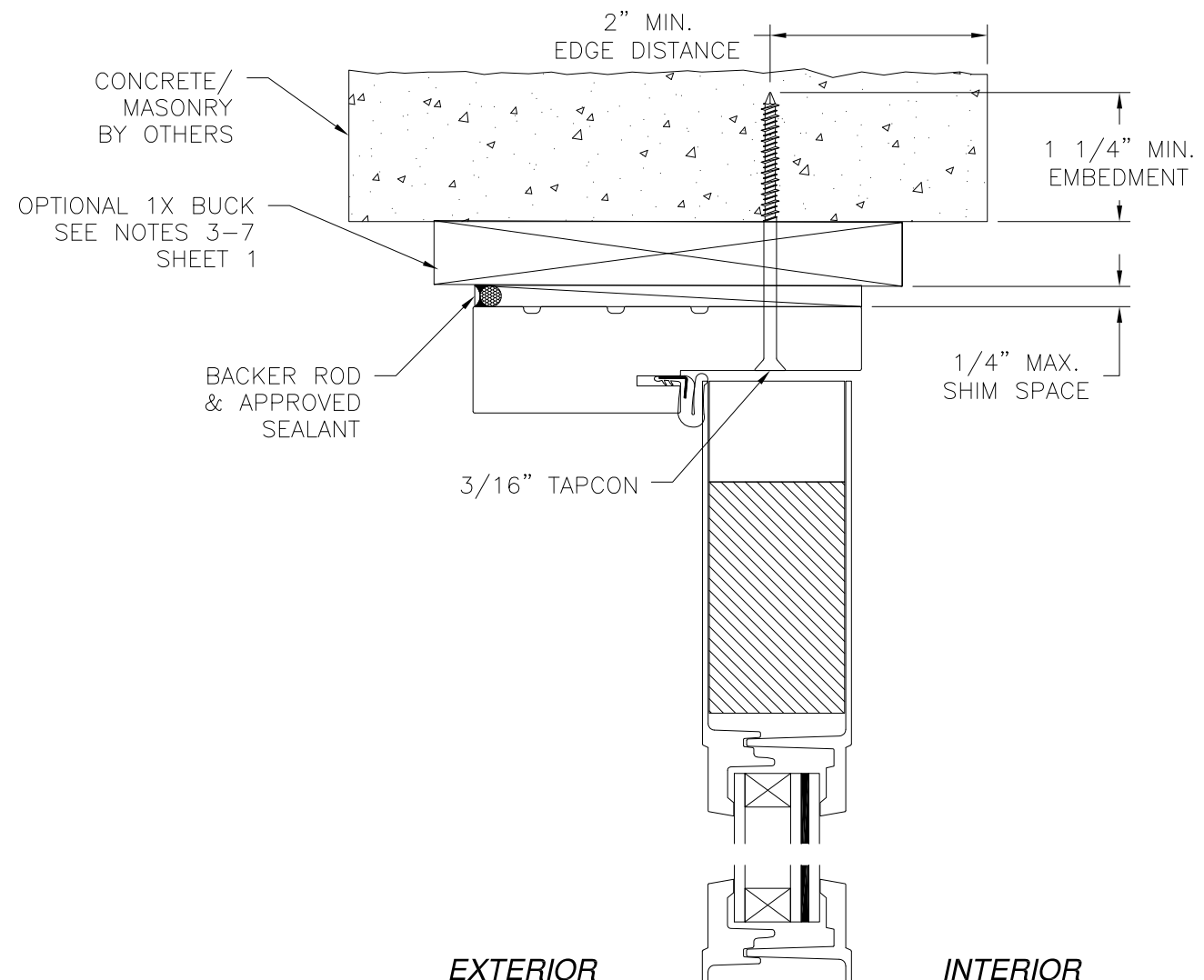
DRAWN: A.R.	DWG NO. 08-03313	REV -
SCALE NTS	DATE 09/27/18	SHEET 7 OF 14

L. ROBERTO LOMAS P.E.  
1432 WOODFORD RD LEWISVILLE, NC 27023  
434-688-0609 rllomas@lrlomaspe.com



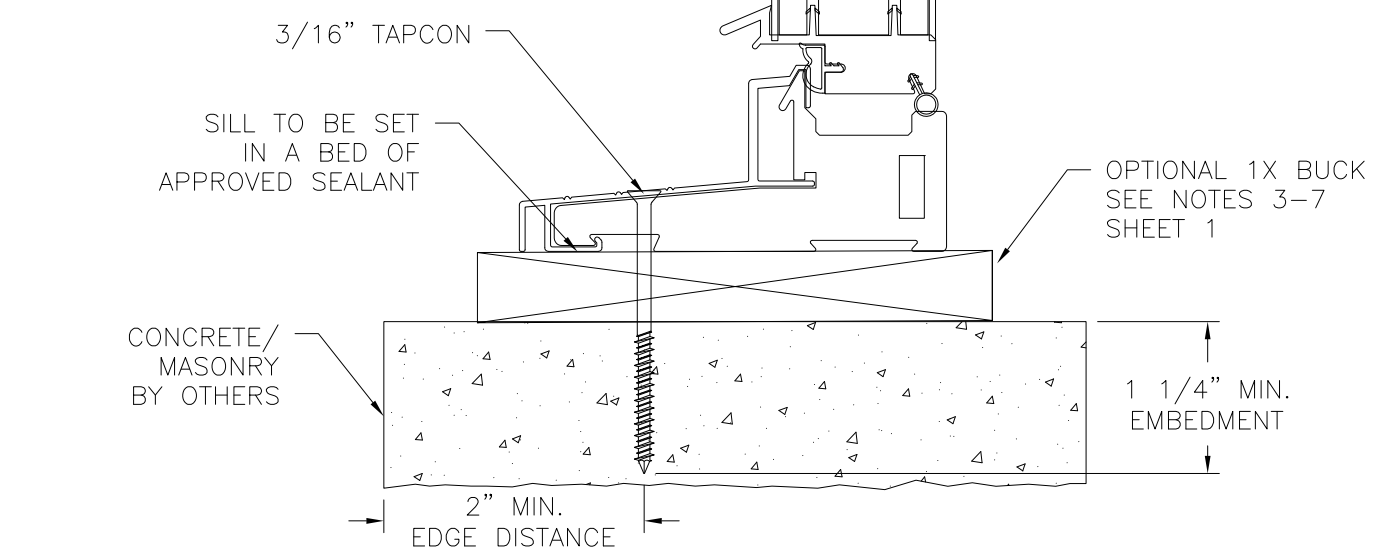
Luis R. Lomas P.E.  
TX No.: 101889

REVISIONS			
REV	DESCRIPTION	DATE	APPROVED



**DOOR INSTALLATION DETAIL**  
CONCRETE/MASONRY INSTALLATION

- NOTES:**
1. INTERIOR AND EXTERIOR FINISHES, BY OTHERS, NOT SHOWN FOR CLARITY.
  2. PERIMETER AND JOINT SEALANT BY OTHERS TO BE DESIGNED IN ACCORDANCE WITH ASTM E2112



**DOOR INSTALLATION DETAIL**  
CONCRETE/MASONRY INSTALLATION

NAN YA PLASTICS CORPORATION U.S.A.  
8989 NORTH LOOP EAST  
HOUSTON, TX 77029

SERIES "SLPS" GLAZED FIBERGLASS INSWING  
SIDE-HINGED DOOR W/SIDELITES - IMPACT  
DOOR INSTALLATION DETAILS

DRAWN: A.R.	DWG NO. 08-03313	REV -
SCALE NTS	DATE 09/27/18	SHEET 8 OF 14

L. ROBERTO LOMAS P.E.  
1432 WOODFORD RD LEWISVILLE, NC 27023  
434-688-0609 rllomas@lrlomaspe.com

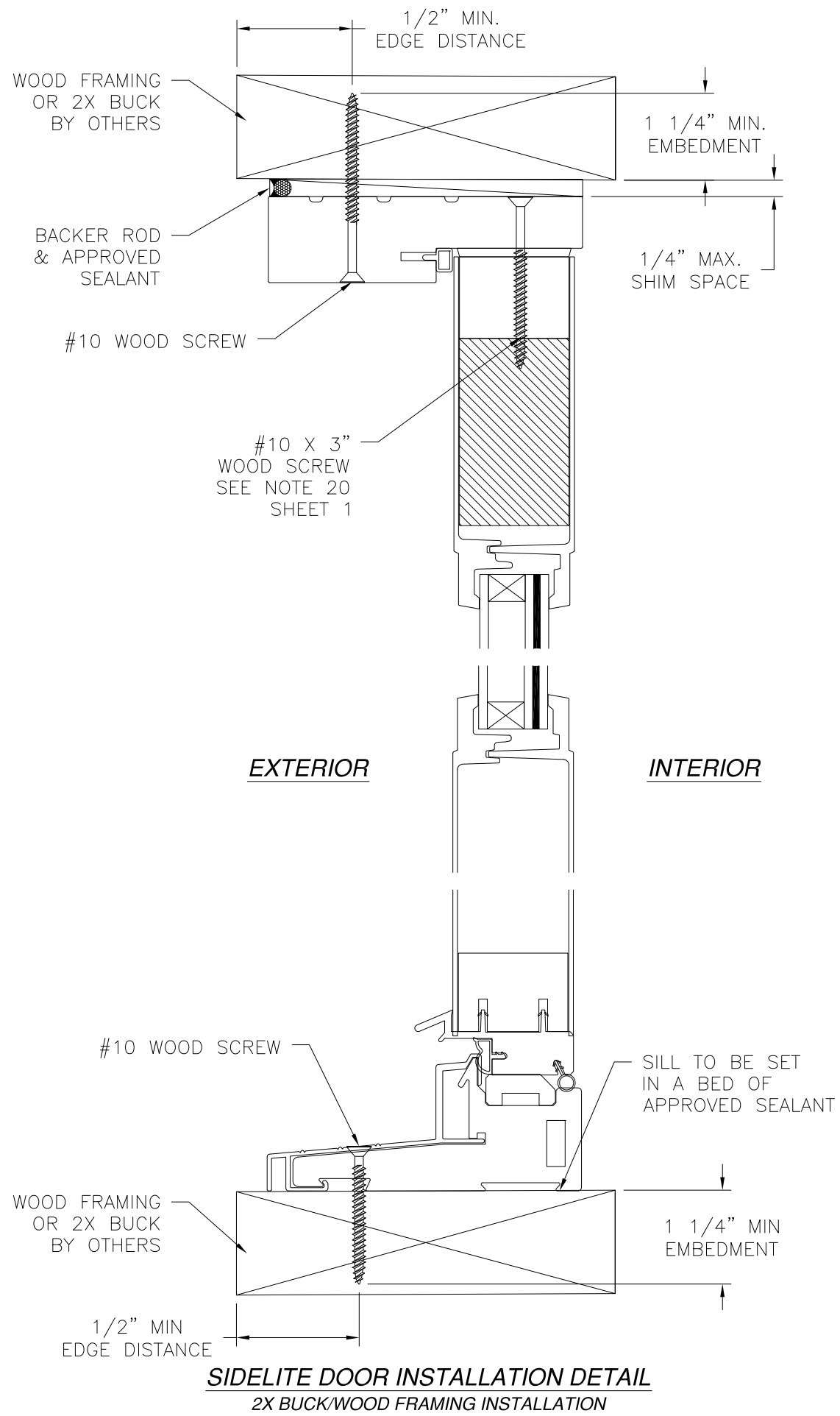
SIGNED: 08/06/2019



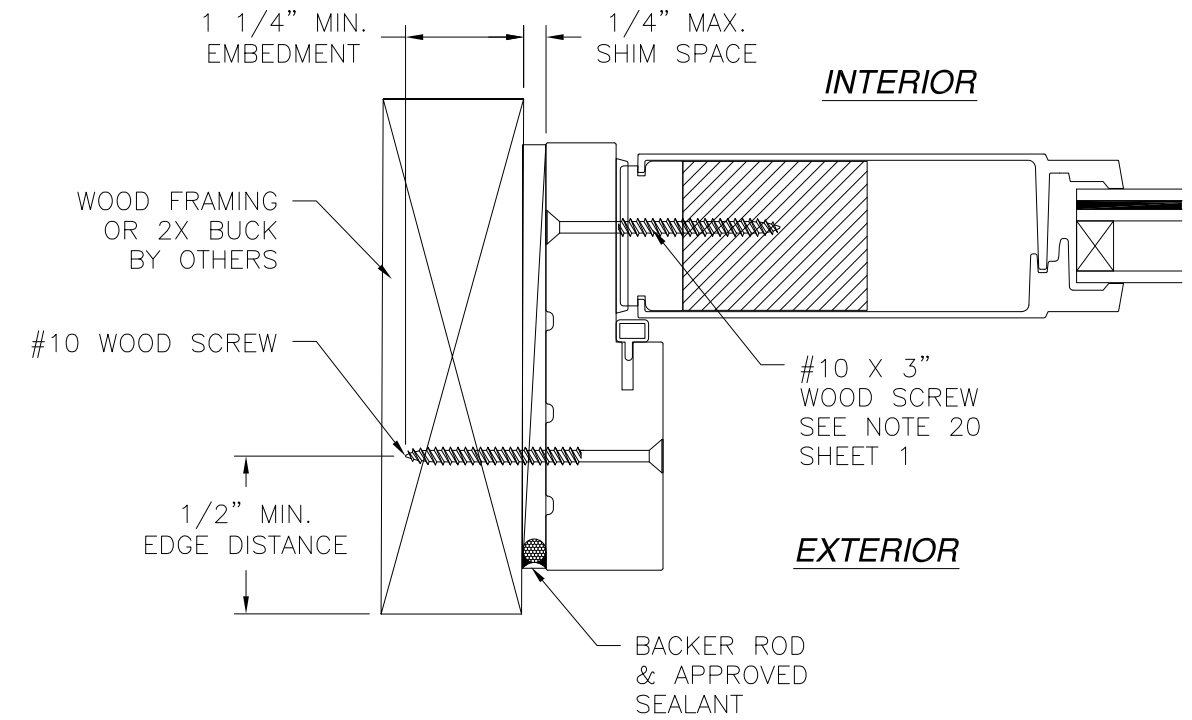
Luis R. Lomas P.E.  
TX No.: 101889



REVISIONS			
REV	DESCRIPTION	DATE	APPROVED



**SIDELITE DOOR INSTALLATION DETAIL**  
2X BUCK/WOOD FRAMING INSTALLATION



**SIDELITE INSTALLATION DETAIL**  
WOOD FRAMING OR 2X BUCK INSTALLATION

- NOTES:**
1. INTERIOR AND EXTERIOR FINISHES, BY OTHERS, NOT SHOWN FOR CLARITY.
  2. PERIMETER AND JOINT SEALANT BY OTHERS TO BE DESIGNED IN ACCORDANCE WITH ASTM E2112

SIGNED: 08/06/2019

NAN YA PLASTICS CORPORATION U.S.A.  
8989 NORTH LOOP EAST  
HOUSTON, TX 77029

SERIES "SLPS" GLAZED FIBERGLASS INSWING  
SIDE-HINGED DOOR W/SIDELITES - IMPACT  
SIDELITE INSTALLATION DETAILS

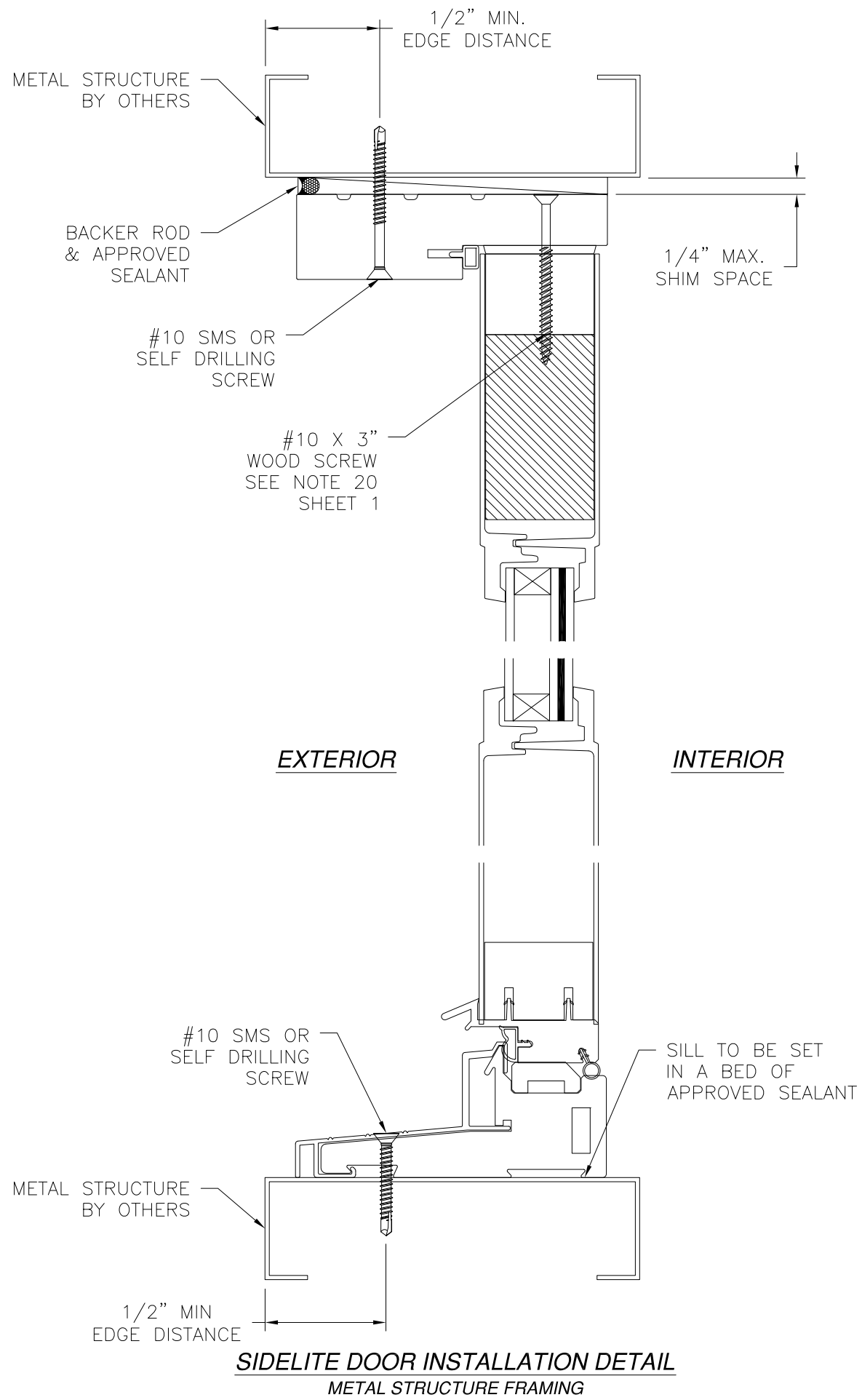
DRAWN: A.R.	DWG NO. 08-03313	REV -
SCALE NTS	DATE 09/27/18	SHEET 9 OF 14

L. ROBERTO LOMAS P.E.  
1432 WOODFORD RD LEWISVILLE, NC 27023  
434-688-0609 rllomas@lrlomaspe.com

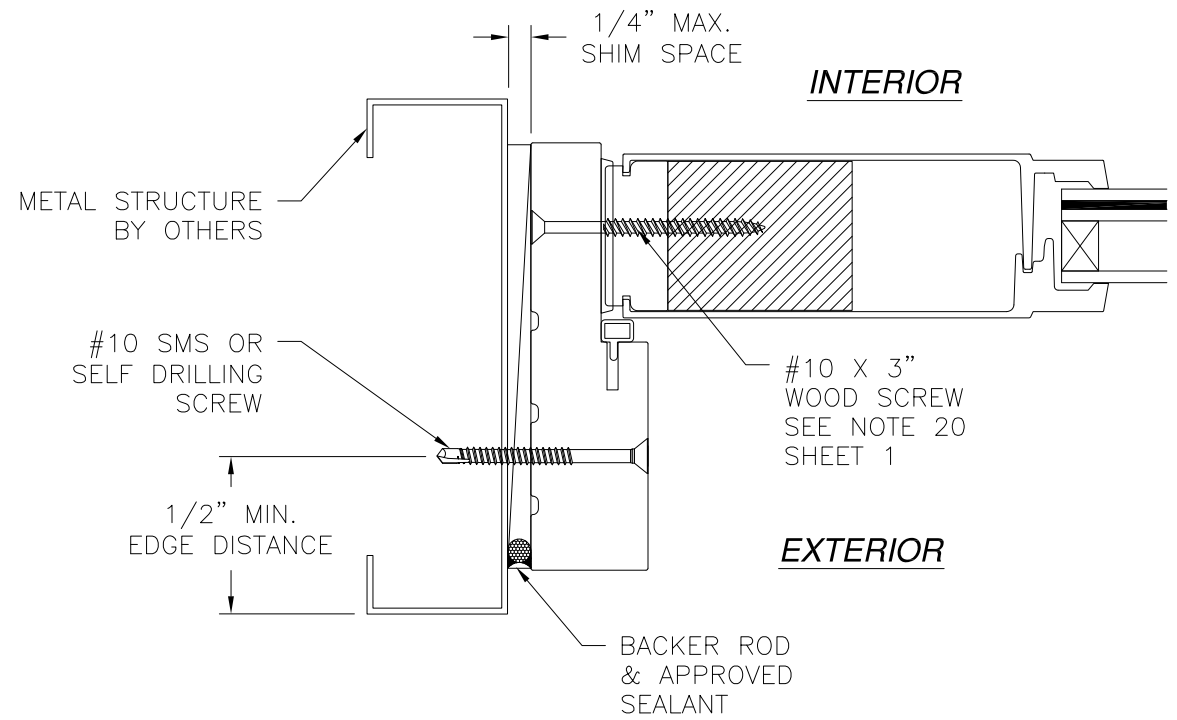


Luis R. Lomas P.E.  
TX No.: 101889

REVISIONS			
REV	DESCRIPTION	DATE	APPROVED



**SIDELITE DOOR INSTALLATION DETAIL**  
METAL STRUCTURE FRAMING



**SIDELITE INSTALLATION DETAIL**  
METAL STRUCTURE INSTALLATION

- NOTES:**
1. INTERIOR AND EXTERIOR FINISHES, BY OTHERS, NOT SHOWN FOR CLARITY.
  2. PERIMETER AND JOINT SEALANT BY OTHERS TO BE DESIGNED IN ACCORDANCE WITH ASTM E2112

SIGNED: 08/06/2019

NAN YA PLASTICS CORPORATION U.S.A.  
8989 NORTH LOOP EAST  
HOUSTON, TX 77029

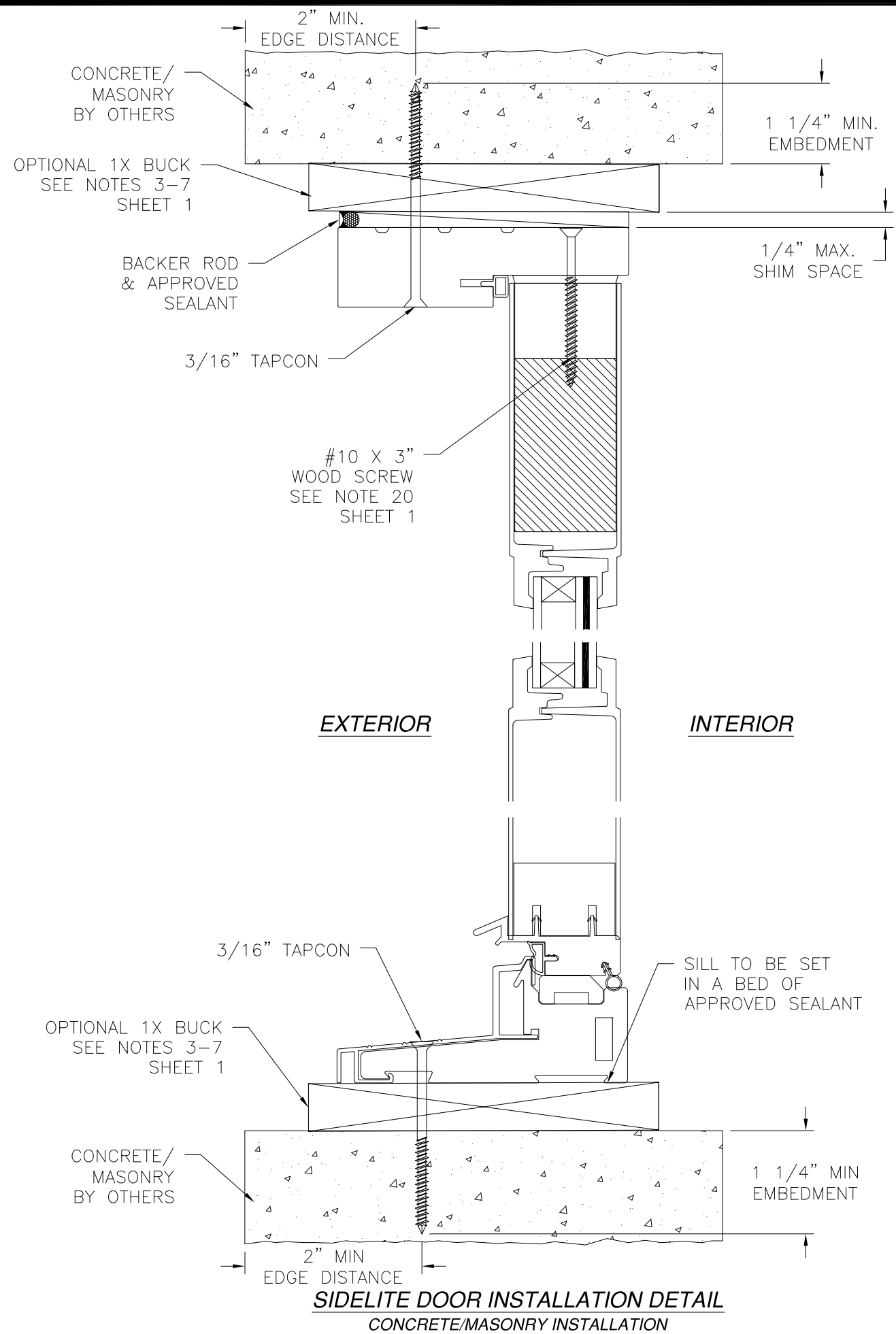
SERIES "SLPS" GLAZED FIBERGLASS INSWING  
SIDE-HINGED DOOR W/SIDELITES - IMPACT  
SIDELITE INSTALLATION DETAILS

DRAWN: A.R.	DWG NO. 08-03313	REV -
SCALE NTS	DATE 09/27/18	SHEET 10 OF 14

L. ROBERTO LOMAS P.E.  
1432 WOODFORD RD LEWISVILLE, NC 27023  
434-688-0609 rllomas@lrlomaspe.com

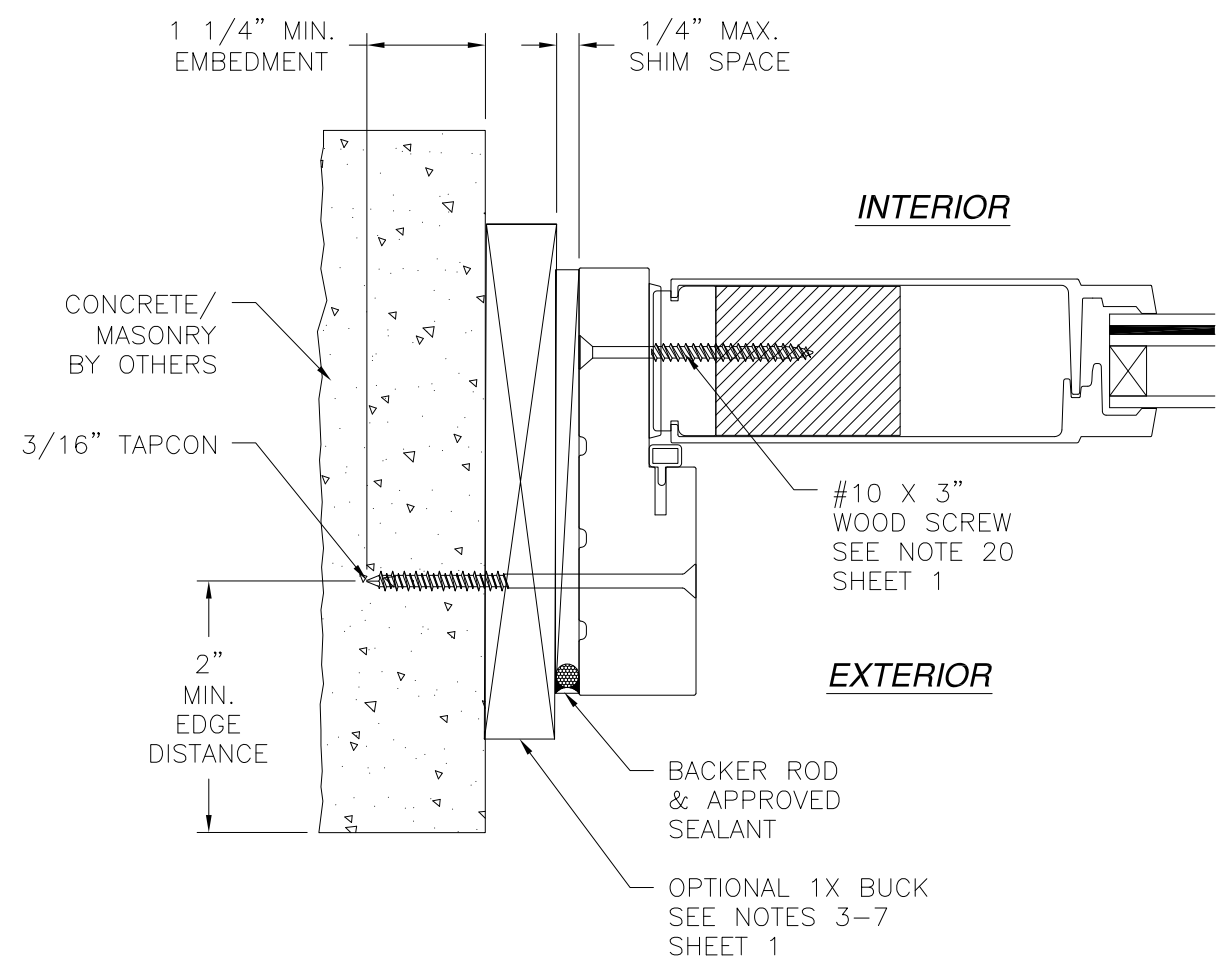


Luis R. Lomas P.E.  
TX No.: 101889



**SIDELITE DOOR INSTALLATION DETAIL**  
CONCRETE/MASONRY INSTALLATION

REVISIONS			
REV	DESCRIPTION	DATE	APPROVED



**SIDELITE INSTALLATION DETAIL**  
CONCRETE/MASONRY INSTALLATION

- NOTES:**
1. INTERIOR AND EXTERIOR FINISHES, BY OTHERS, NOT SHOWN FOR CLARITY.
  2. PERIMETER AND JOINT SEALANT BY OTHERS TO BE DESIGNED IN ACCORDANCE WITH ASTM E2112

SIGNED: 08/06/2019

NAN YA PLASTICS CORPORATION U.S.A.  
8989 NORTH LOOP EAST  
HOUSTON, TX 77029

SERIES "SLPS" GLAZED FIBERGLASS INSWING SIDE-HINGED DOOR W/SIDELITES - IMPACT  
SIDELITE INSTALLATION DETAILS

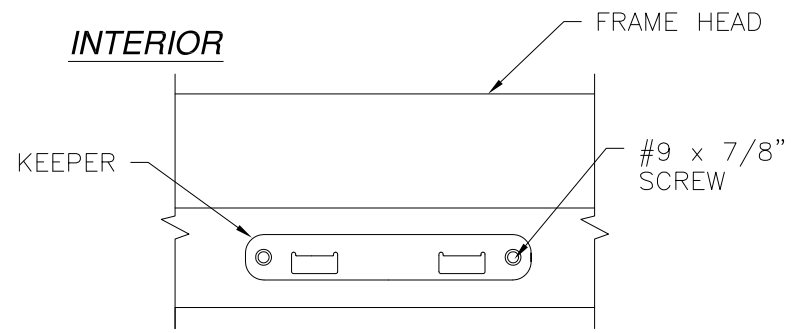
DRAWN: A.R.	DWG NO. 08-03313	REV -
SCALE NTS	DATE 09/27/18	SHEET 11 OF 14

L. ROBERTO LOMAS P.E.  
1432 WOODFORD RD LEWISVILLE, NC 27023  
434-688-0609 rllomas@lrlomaspe.com

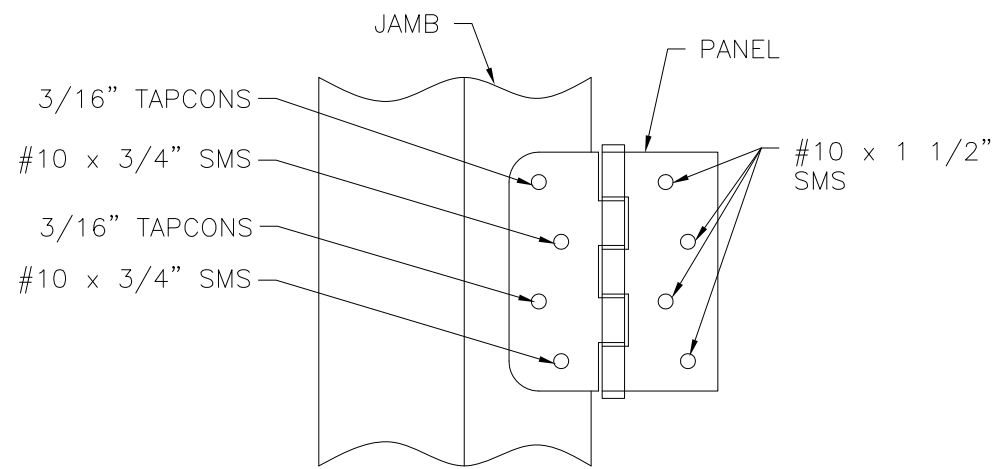


Luis R. Lomas P.E.  
TX No.: 101889

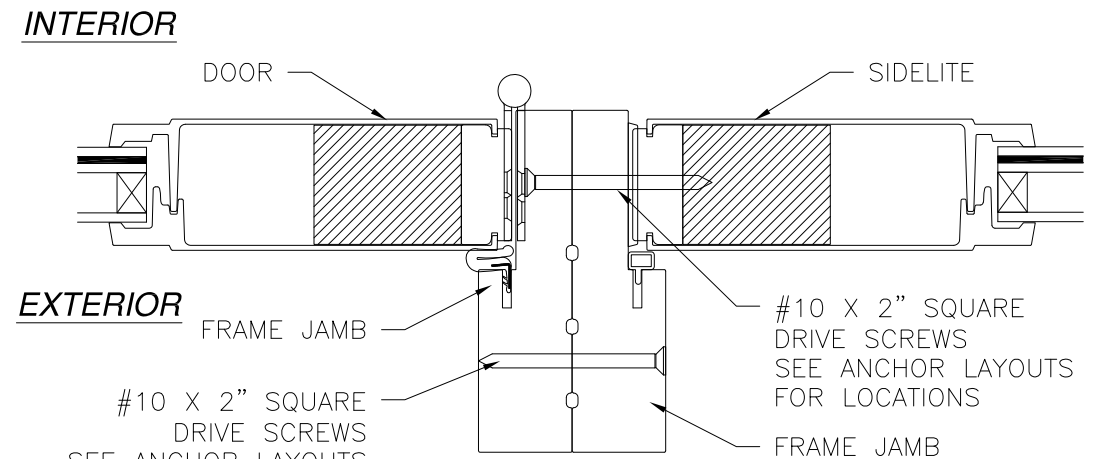
REVISIONS			
REV	DESCRIPTION	DATE	APPROVED



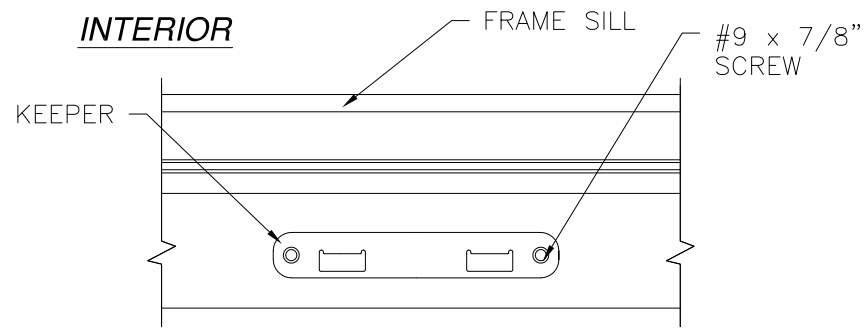
**EXTERIOR**  
**HEAD KEEPER DETAIL**



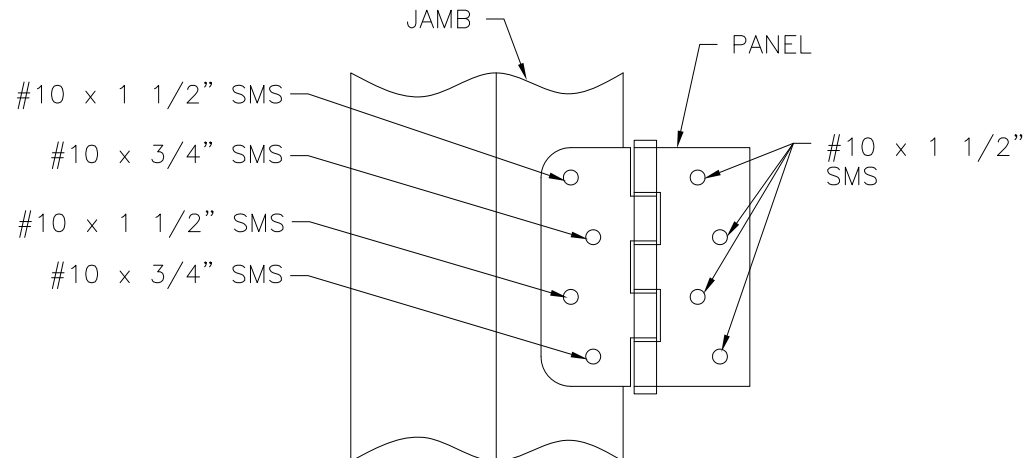
**HINGE INSTALLATION DETAIL**  
**MASONRY/CONCRETE INSTALLATION**



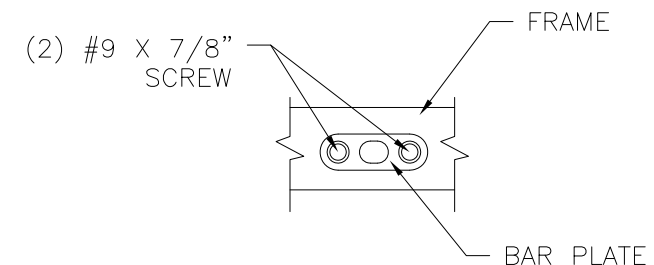
**MULLION DETAIL**  
**DOOR ANCHORS SCREWS**  
**NOT SHOWN FOR CLARITY**



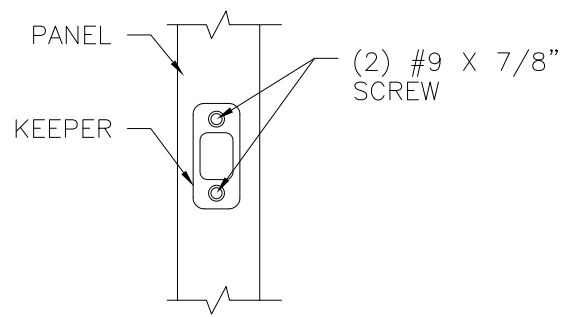
**EXTERIOR**  
**SILL KEEPER DETAIL**



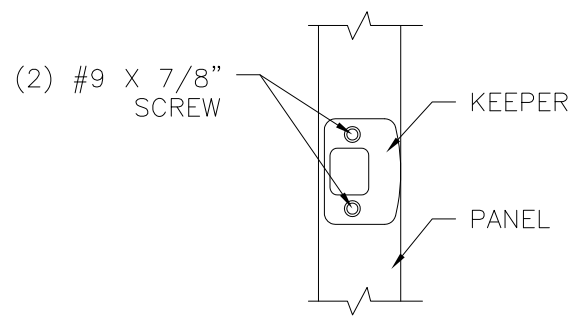
**HINGE INSTALLATION DETAIL**  
**WOOD AND METAL INSTALLATION**



**DRIVE BAR PLATE DETAIL**



**DEADBOLT KEEPER DETAIL**



**LATCH KEEPER DETAIL**

SIGNED: 08/06/2019

NAN YA PLASTICS CORPORATION U.S.A.  
 8989 NORTH LOOP EAST  
 HOUSTON, TX 77029

SERIES "SLPS" GLAZED FIBERGLASS INSWING  
 SIDE-HINGED DOOR W/SIDELITES - IMPACT  
 INSTALLATION DETAILS

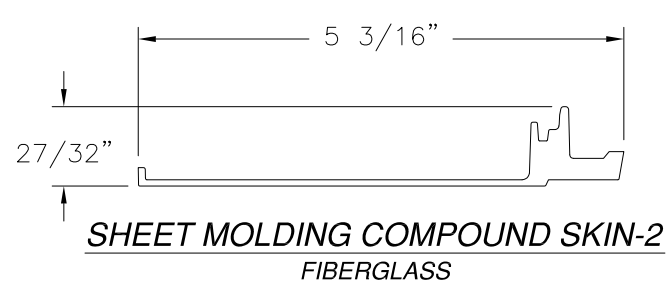
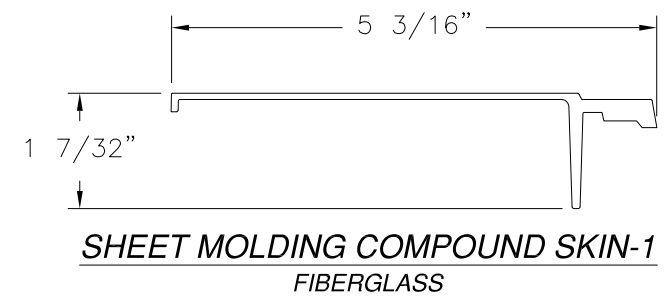
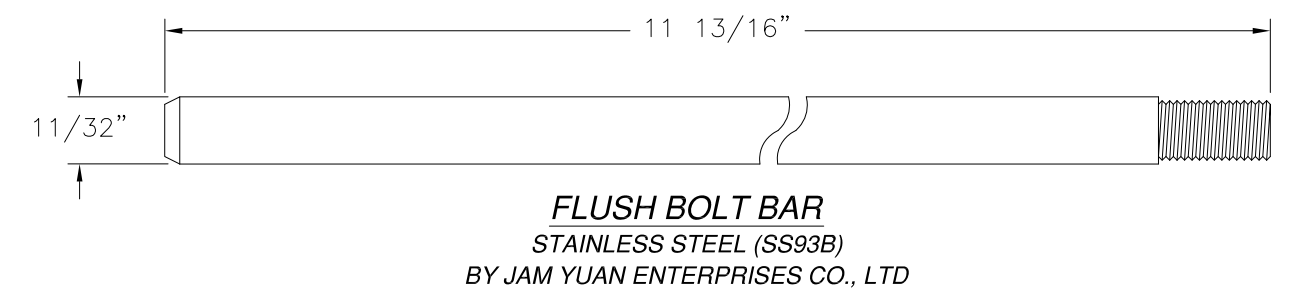
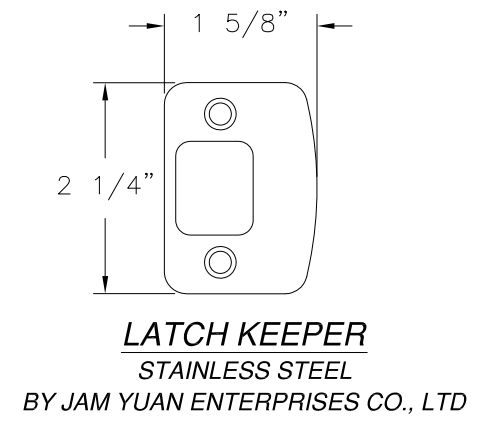
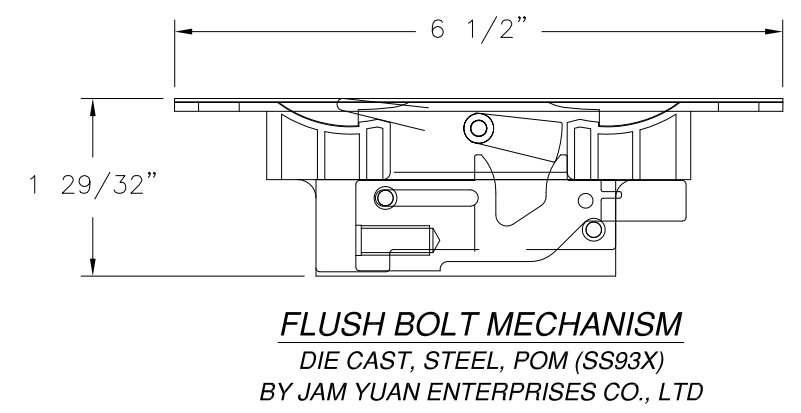
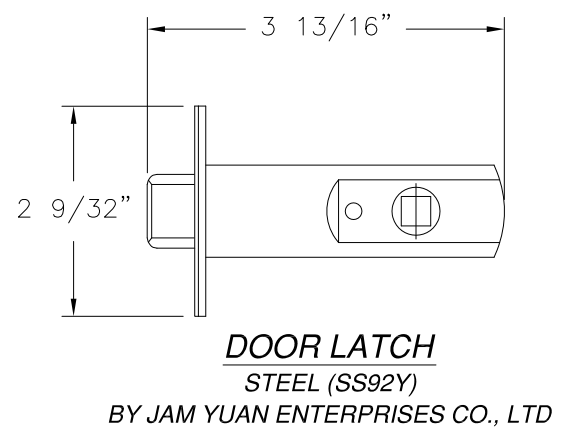
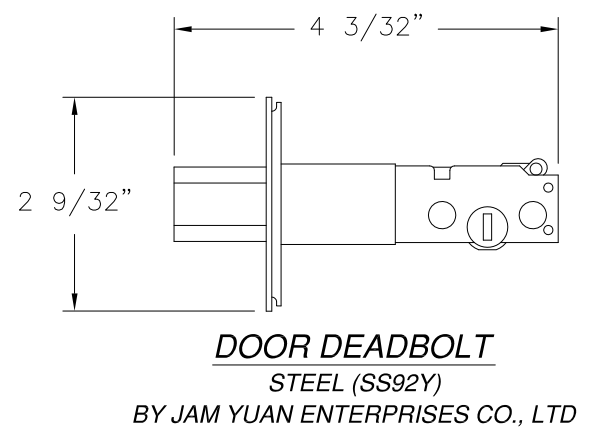
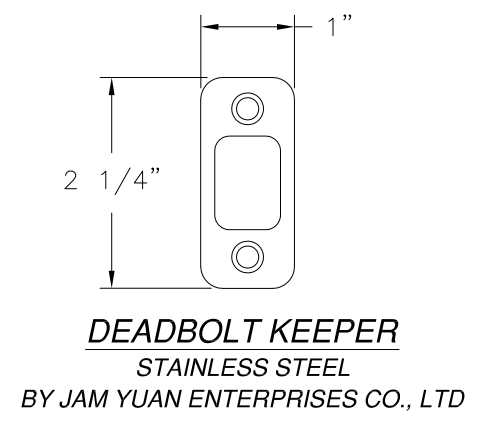
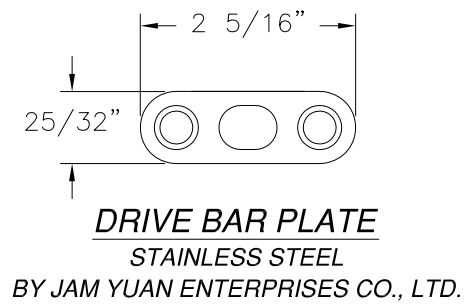
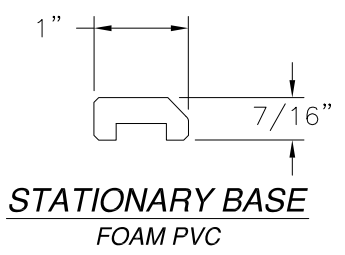
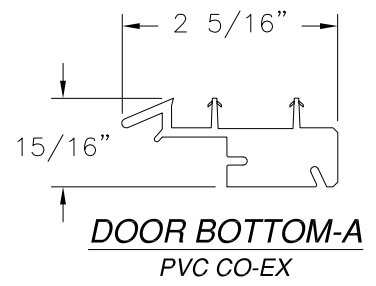
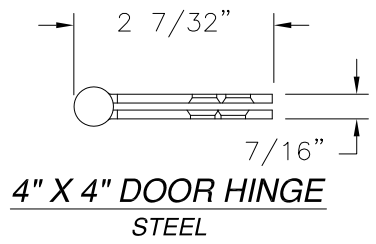
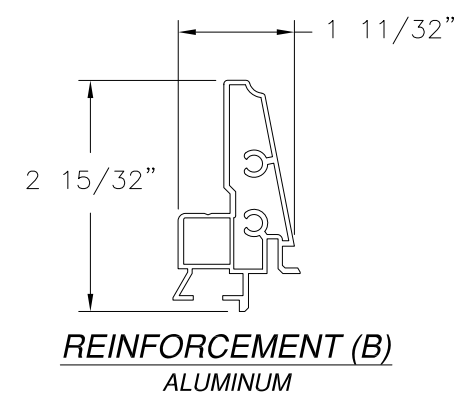
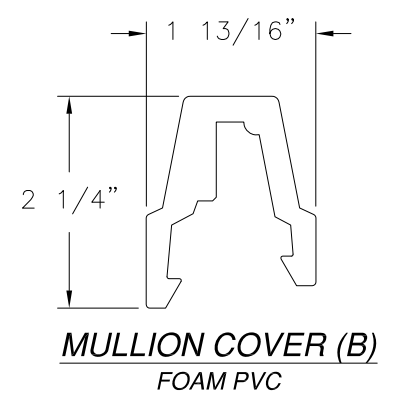
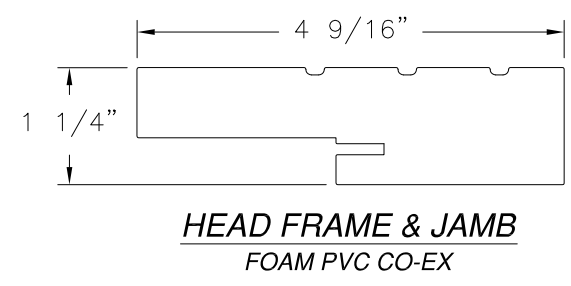
DRAWN: A.R.	DWG NO. 08-03313	REV -
SCALE NTS	DATE 09/27/18	SHEET 12 OF 14

L. ROBERTO LOMAS P.E.  
 1432 WOODFORD RD LEWISVILLE, NC 27023  
 434-688-0609 rllomas@lrlomaspe.com



Luis R. Lomas P.E.  
 TX No.: 101889

REVISIONS			
REV	DESCRIPTION	DATE	APPROVED



SIGNED: 08/06/2019

NAN YA PLASTICS CORPORATION U.S.A.  
8989 NORTH LOOP EAST  
HOUSTON, TX 77029

SERIES "SLPS" GLAZED FIBERGLASS INSWING  
SIDE-HINGED DOOR W/SIDELITES - IMPACT  
COMPONENTS

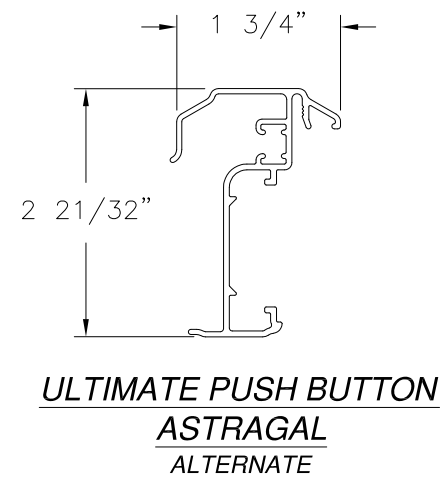
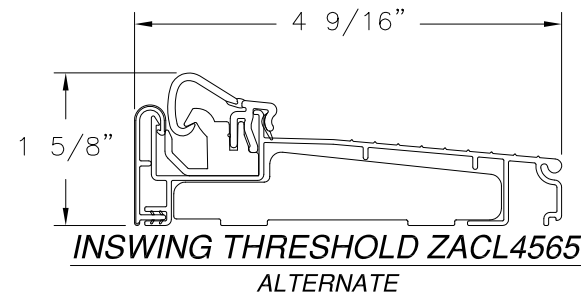
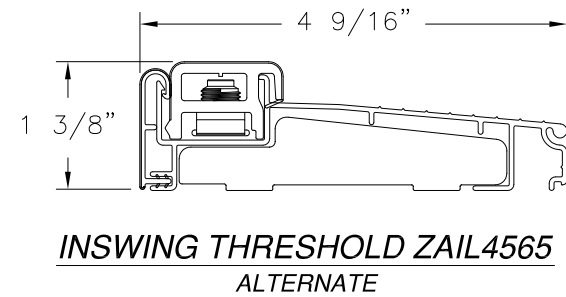
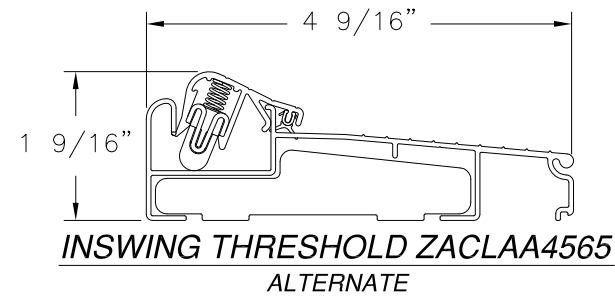
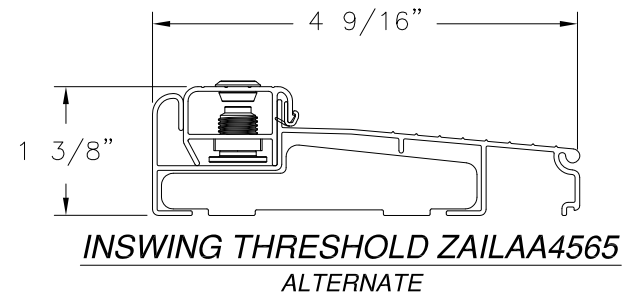
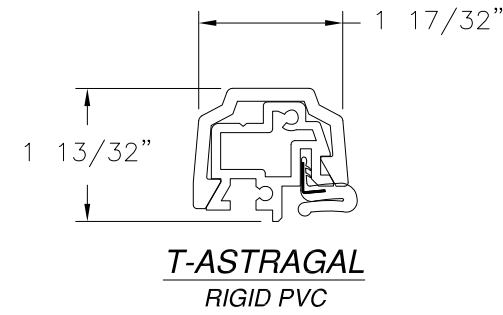
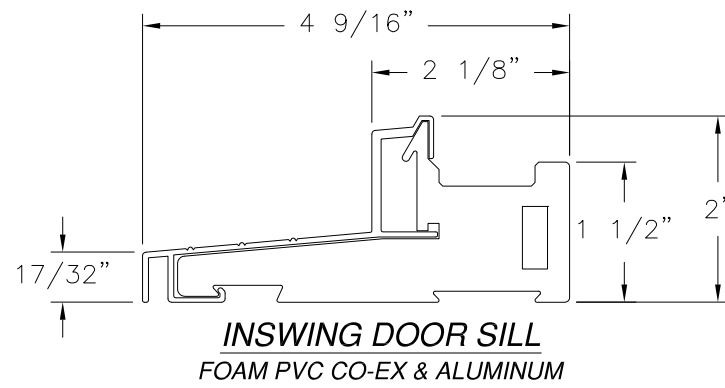
DRAWN: A.R.	DWG NO. 08-03313	REV -
SCALE NTS	DATE 09/27/18	SHEET 13 OF 14

L. ROBERTO LOMAS P.E.  
1432 WOODFORD RD LEWISVILLE, NC 27023  
434-688-0609 rllomas@lrlomaspe.com



Luis R. Lomas P.E.  
TX No.: 101889

REVISIONS			
REV	DESCRIPTION	DATE	APPROVED



NAN YA PLASTICS CORPORATION U.S.A.  
8989 NORTH LOOP EAST  
HOUSTON, TX 77029

SERIES "SLPS" GLAZED FIBERGLASS INSWING  
SIDE-HINGED DOOR W/SIDELITES - IMPACT  
COMPONENTS

DRAWN: A.R.	DWG NO. 08-03313	REV -
SCALE NTS	DATE 09/27/18	SHEET 14 OF 14

L. ROBERTO LOMAS P.E.  
1432 WOODFORD RD LEWISVILLE, NC 27023  
434-688-0609 rllomas@lrlomaspe.com

SIGNED: 08/06/2019



Luis R. Lomas P.E.  
TX No.: 101889