

NORTHEAST BUILDING PRODUCTS CORPORATION

WINFORCE ENTRY DOORS

GLAZED (INSWING / OUTSWING)

REVISIONS			
REV	DESCRIPTION	DATE	APPROVED

GENERAL NOTES:

1. THIS PRODUCT HAS BEEN EVALUATED TO COMPLY WITH THE CURRENT PROVISIONS OF THE 2018 INTERNATIONAL BUILDING CODE AND 2018 INTERNATIONAL RESIDENTIAL CODE AND IS BASED ON TESTING CONDUCTED TO AAMA/WDMA/CSA/I.S.2/A440 AND ASTM E1886 & ASTM 1996 TEST PROTOCOLS PER TEST REPORT NO. 210-4124-04.
2. ADEQUACY OF THE EXISTING STRUCTURAL CONCRETE, MASONRY AND 2X FRAMING AS A MAIN WIND FORCE RESISTING SYSTEM CAPABLE OF WITHSTANDING AND TRANSFERRING APPLIED PRODUCT LOADS TO THE FOUNDATION IS THE RESPONSIBILITY OF THE ENGINEER OR ARCHITECT OF RECORD FOR THE PROJECT OF INSTALLATION.
3. 1X BUCK OVER MASONRY AND/OR CONCRETE IS OPTIONAL. WHERE 1X BUCK IS NOT USED DISSIMILAR MATERIALS MUST BE SEPARATED WITH APPROVED COATING OR MEMBRANE. SELECTION OF COATING OR MEMBRANE IS THE RESPONSIBILITY OF THE ARCHITECT OR ENGINEER OF RECORD.
4. THE INSTALLATION DETAILS DESCRIBED HEREIN ARE GENERIC AND MAY NOT REFLECT ACTUAL CONDITIONS FOR A SPECIFIC SITE. IF THE INSTALLATION METHODS DEVIATE FROM THESE APPROVED DETAILS THIS WOULD REQUIRE FURTHER INVESTIGATION BY A LICENSED OR REGISTERED DESIGN PROFESSIONAL.
5. IN AREAS WHERE WINDBORNE DEBRIS PROTECTION REQUIREMENTS EXIST, USE OF AN IMPACT PROTECTIVE SYSTEM COMPLYING WITH THE FBC REQUIREMENTS FOR WINDBORNE DEBRIS REGIONS SHALL BE AS FOLLOWS:
 - 5.1. THE IMPACT GLAZED PRODUCT (GLAZING DETAIL 1) DOES NOT REQUIRE AN IMPACT PROTECTIVE SYSTEM IF USED IN A WINDBORNE DEBRIS REGION.
 - 5.2. THE NON-IMPACT GLAZED PRODUCT (GLAZING DETAIL 2) REQUIRES THE USE OF AN IMPACT PROTECTION DEVICE IF USED IN A WINDBORNE DEBRIS REGION.
6. MATERIALS:
 - 6.1 FRAME: POLYFIBER
 - 6.2 DOOR: FIBERGLASS SKIN 0.125" THICK MIN. (MIN.Fy = 11,860 PSI).
 - 6.3 MISCELLANEOUS: 6063-T5 ALUMINUM
7. GLAZING:
 - 7.1. GLASS MEETS THE REQUIREMENTS OF ASTM E1300-12ae1.
 - 7.2. SEE GLAZING DETAILS ON SHEET 2 OF 8.
 - 7.3. GLASS SHALL MEET SAFETY GLAZING REQUIREMENTS OF THE INTERNATIONAL BUILDING AND RESIDENTIAL CODES.
 - 7.4. INTERLAYER: KURARAY AMERICA TROSIFOL PVB INTERLAYER.
8. PANEL OPERABILITY DESIGNATIONS:
 - 8.1 (X) SASH IS AN OPERABLE PANEL.

TABLE OF CONTENTS	
SHEET NO.	DESCRIPTION
1	GENERAL NOTES
2	DOOR PANEL AND GLAZING DETAILS
3	ELEVATION AND D.P. CHARTS
4	VERTICAL INSTALLATION DETAILS
5	HORIZONTAL INSTALLATION DETAILS
6	BUCK AND FRAME ANCHORING DETAILS
7	FRAME INSTALLATION TO BUCK DETAILS
8	BILL OF MATERIALS AND COMPONENTS

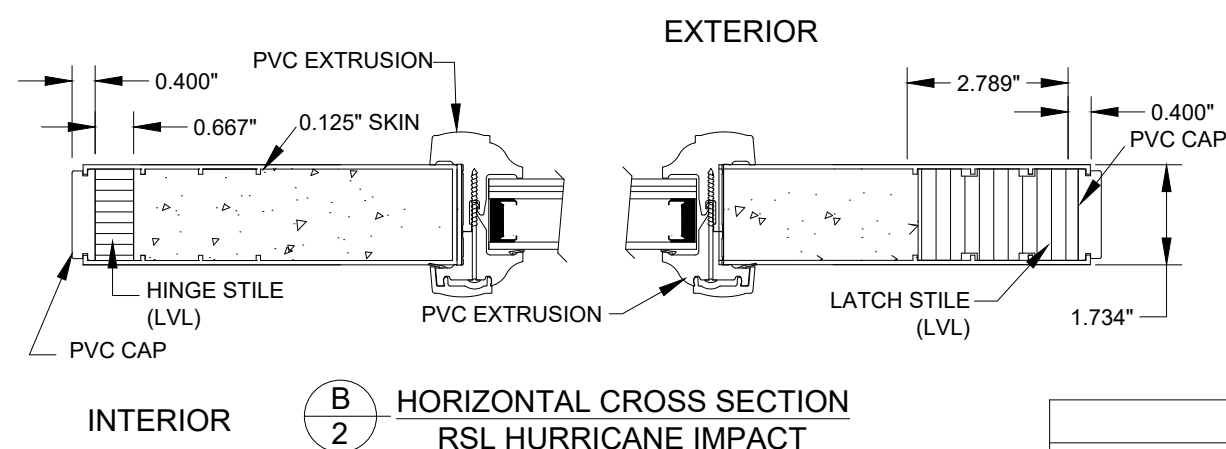
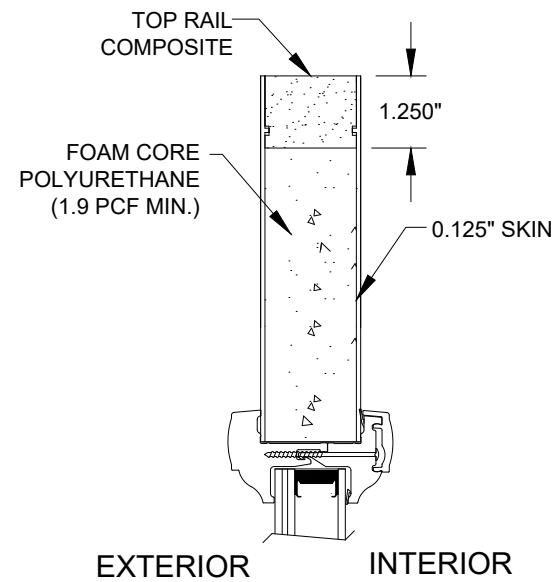
INSTALLATION NOTES:

1. SHIM AS REQUIRED AT EACH INSTALLATION ANCHOR WITH A LOAD BEARING SHIM, SHIM WHERE SPACE OF 1/16" OR GREATER OCCURS. MAXIMUM ALLOWABLE SHIM STACK TO BE 1/4".
2. FOR ANCHORING INSTALLATION THROUGH FRAME INTO CONCRETE/MASONRY
 - 2.1. USE 1/4" ADVANCED THREADFORM TAPCONS (SHOWN ON SHEETS 4 & 5) WITH SUFFICIENT LENGTH TO ACHIEVE THE FOLLOWING:
 - 2.1.1. CONCRETE: 1-1/2" MINIMUM EMBEDMENT INTO SUBSTRATE WITH 1-1/2" MINIMUM EDGE DISTANCE.
 - 2.1.2. CMU/MASONRY: 1" MINIMUM EMBEDMENT INTO SUBSTRATE WITH 2" MINIMUM EDGE DISTANCE.
 - 2.2. OTHER APPROVED CONCRETE/MASONRY ANCHORS:
 - 2.2.1. ELCO ULTRACON WITH SUFFICIENT LENGTH TO ACHIEVE THE FOLLOWING:
 - 2.2.1.1. CONCRETE: 1-3/4" MINIMUM EMBEDMENT INTO SUBSTRATE WITH 1" MINIMUM EDGE DISTANCE.
 - 2.2.1.2. CMU/MASONRY: 1-1/4" MINIMUM EMBEDMENT INTO SUBSTRATE WITH 1" MINIMUM EDGE DISTANCE.
 - 2.2.2. SIMPSON STRONG-TIE TITEN WITH SUFFICIENT LENGTH TO ACHIEVE THE FOLLOWING.
 - 2.2.2.1. CONCRETE: 1-1/2" MINIMUM EMBEDMENT INTO SUBSTRATE WITH 1-1/2" MINIMUM EDGE DISTANCE.
 - 2.2.2.2. CMU/MASONRY: 1" MINIMUM EMBEDMENT INTO SUBSTRATE WITH 1-1/2" MINIMUM EDGE DISTANCE.
3. FOR ANCHORING INSTALLATION THROUGH FRAME INTO WOOD FRAMING OR 2X BUCK USE #14 WOOD SCREWS (ANSI B18.6.1) WITH MINIMUM GRADE 2 STRENGTH AND WITH SUFFICIENT LENGTH TO ACHIEVE 1-1/2" MINIMUM EMBEDMENT INTO SUBSTRATE WITH 1" MINIMUM EDGE DISTANCE.
4. FOR ANCHORING INSTALLATION THROUGH FRAME INTO METAL SUBSTRATE USE #14 TAPPING SCREWS (ANSI B18.6.4) WITH MINIMUM GRADE 2 STRENGTH AND WITH SUFFICIENT LENGTH TO ACHIEVE MINIMUM 3 THREADS PAST INTERIOR OF STUD WITH 1" MINIMUM EDGE DISTANCE.
5. INSTALLATION ANCHOR CAPACITIES FOR PRODUCTS HEREIN ARE BASED ON SUBSTRATE MATERIALS WITH THE FOLLOWING PROPERTIES:
 - 5.1. WOOD - MINIMUM SPECIFIC GRAVITY OF 0.42 .
 - 5.2. CONCRETE - MINIMUM COMPRESSIVE STRENGTH OF 2500 PSI.
 - 5.3. MASONRY - STRENGTH CONFORMANCE TO ASTM C-90 MEDIUM WEIGHT WITH COMPRESSIVE STRENGTH OF 1900 psi (DENSITY > 117 PCF).
 - 5.4. METAL STUD: STEEL 18 GA., FY= 33 KSI.

Northeast Building Products Corporation 4280 Aramingo Ave Philadelphia, PA 19124		
SERIES: WinForce I.S. / O.S. (X,XX) GLAZED FIBERGLASS ENTRY DOOR GENERAL NOTES		
DRAWN: JRM	DWG NO. NL-0133	REV 1
SCALE NTS	DATE 05/06/2019	SHEET 1 OF 8

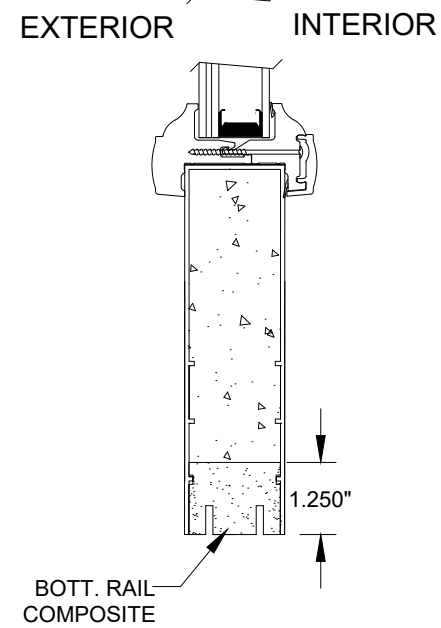
ROBERT J. AMORUSO TX P.E. NO. 80817
734 S CENTER ST. ORMOND BEACH, FL 32174 RJAENGPE@GMAIL.COM

REVISIONS			
REV	DESCRIPTION	DATE	APPROVED

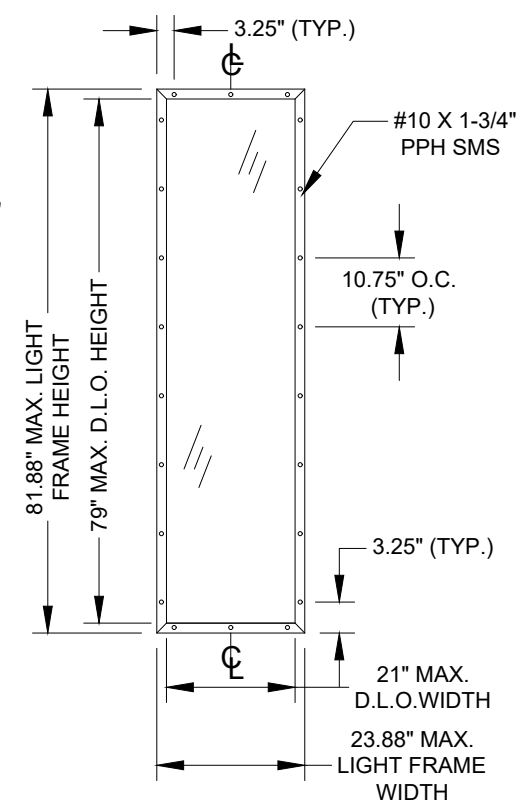
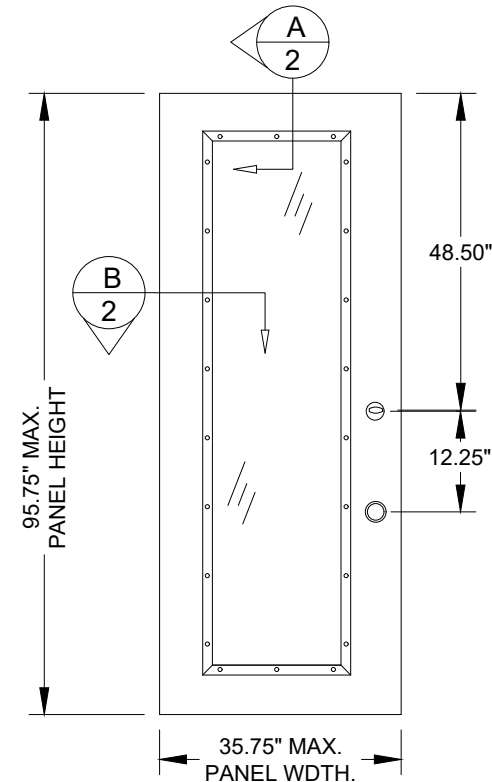


B
2 HORIZONTAL CROSS SECTION
RSL HURRICANE IMPACT
GLAZING INSERT OPTION

HARDWARE TABLE	
MANUFACTURER	MODEL
KWIKSET	KNOB: 740 SERIES
	DEADBOLT: 780 SERIES

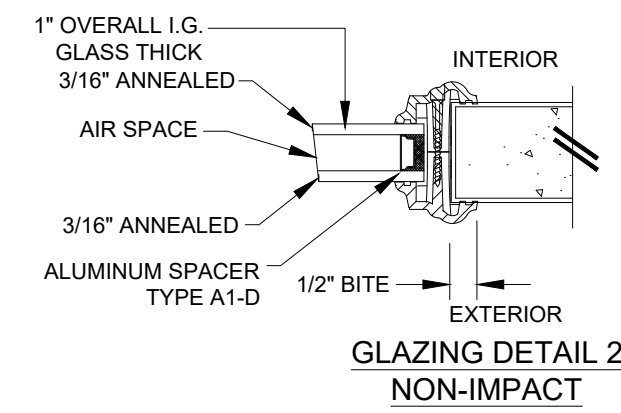


A
2 VERTICAL CROSS SECTION
RSL HURRICANE IMPACT
GLAZING INSERT OPTION

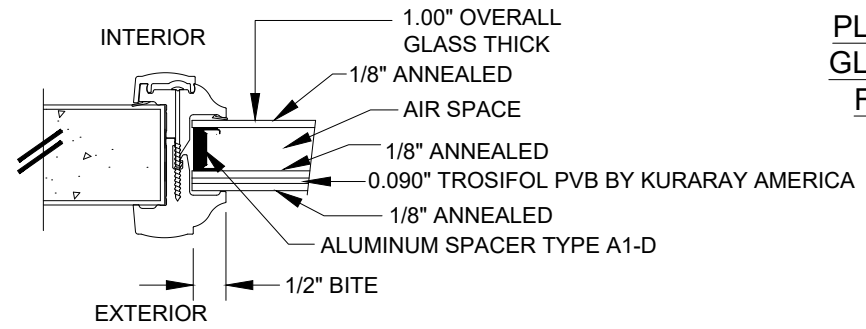


PLASTPRO 8'0"
GLAZED INSERT
FIBERGLASS

RSL LITE FRAME
INSERT 8'0"



GLAZING DETAIL 2
NON-IMPACT



GLAZING DETAIL 1
L.M. IMPACT

Northeast Building Products Corporation
4280 Aramingo Ave
Philadelphia, PA 19124

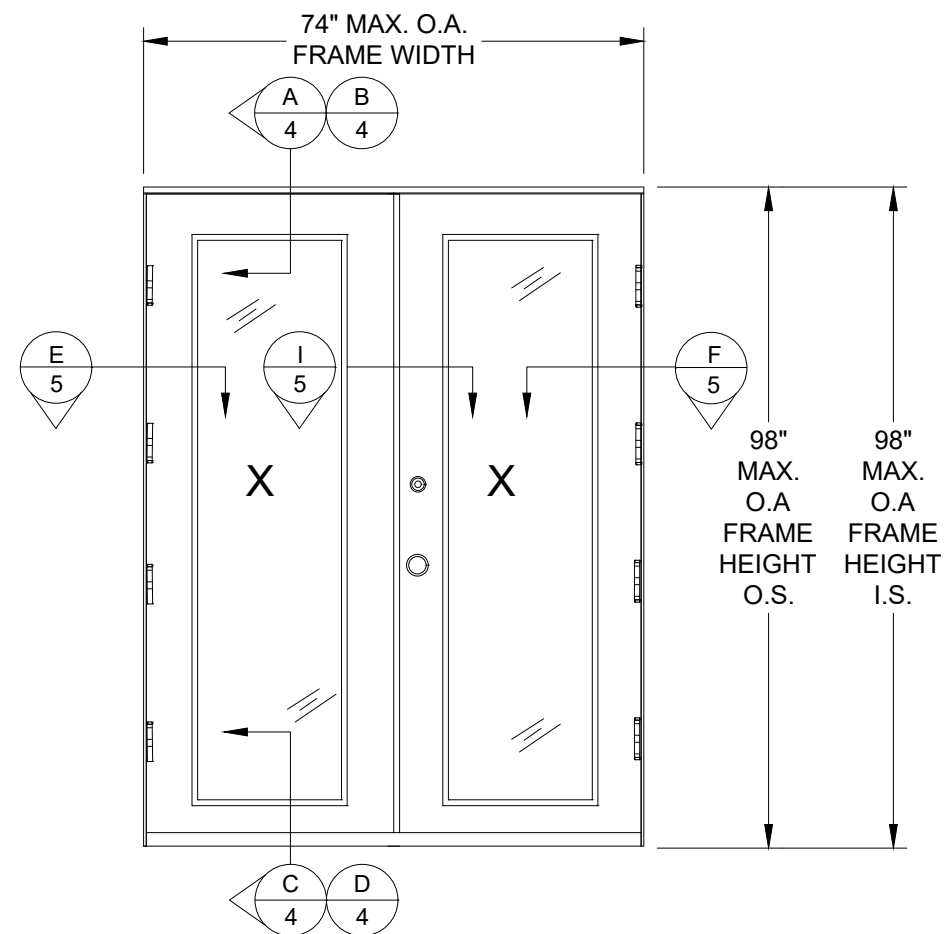
SERIES: WinForce I.S. / O.S. (X,XX)
GLAZED FIBERGLASS ENTRY DOOR
DOOR PANEL AND GLAZING DETAILS

DRAWN: JRM	DWG NO. NL-0133	REV 1
SCALE NTS	DATE 05/06/2019	SHEET 2 OF 8

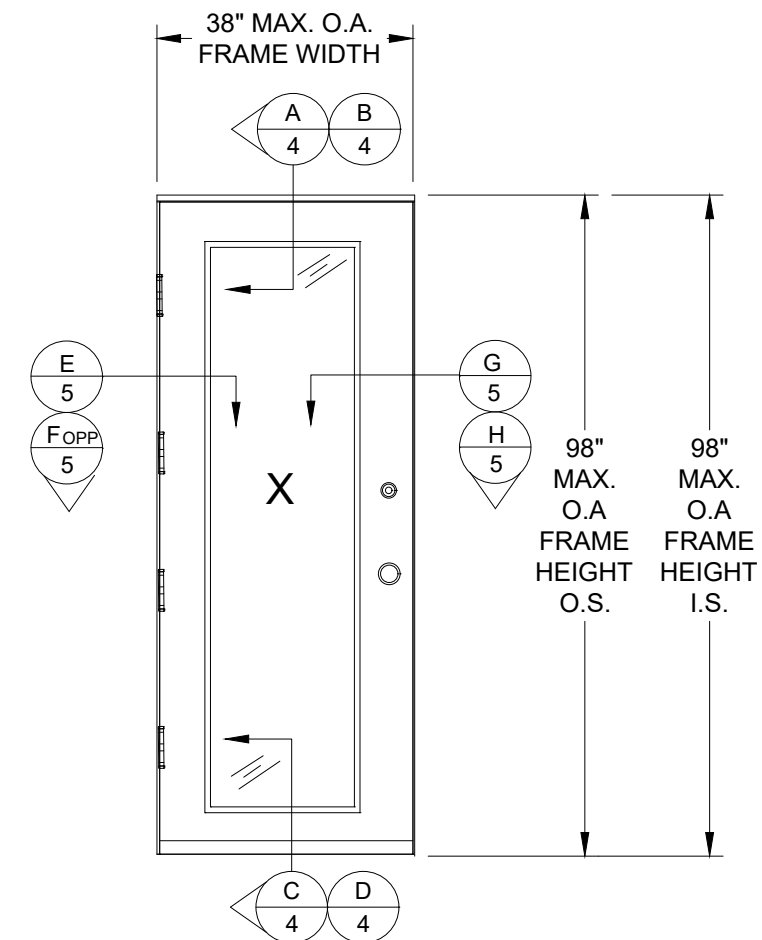
ROBERT J. AMORUSO
TX P.E. NO. 80817

734 S CENTER ST.
ORMOND BEACH, FL 32174
RJAENGPE@GMAIL.COM

REVISIONS			
REV	DESCRIPTION	DATE	APPROVED



**SERIES WINFORCE
(XX) ELEVATION
EXTERIOR VIEW**



**SERIES WINFORCE
(X) ELEVATION
EXTERIOR VIEW**

INSWING THRESHOLD				
DOOR PANEL	CONFIG.	DESIGN PRESSURE RATING	IMPACT RATING	GLAZING DETAIL
PLASTPRO (GLAZED) FIBERGLASS	X, XX	±50PSF	WIND ZONE 3 MISSILE LEVEL D	SEE GLAZING DETAIL 1, SHT. 2
	X, XX	±50PSF	NONE	SEE GLAZING DETAIL 2, SHT. 2
WATER INFILTRATION RATING	THIS SYSTEM DOES NOT MEET THE WATER INFILTRATION REQUIREMENTS OF THE FBC, SECTION 1709.5.1 AND MUST BE INSTALLED ONLY IN NON-HABITABLE AREAS OR HABITABLE LOCATIONS PROTECTED BY AN OVERHANG OR CANOPY SUCH THAT THE ANGLE BETWEEN THE EDGE OF CANOPY OR OVERHANG TO SILL IS NOT LESS THAN 45 DEGREES.			

OUTSWING THRESHOLD				
DOOR PANEL	CONFIG.	DESIGN PRESSURE RATING	IMPACT RATING	GLAZING DETAIL
PLASTPRO (GLAZED) FIBERGLASS	X, XX	±50PSF	WIND ZONE 3 MISSILE LEVEL D	SEE GLAZING DETAIL 1, SHT. 2
	X, XX	±50PSF	NONE	SEE GLAZING DETAIL 2, SHT. 2

Northeast Building Products Corporation
4280 Aramingo Ave
Philadelphia, PA 19124

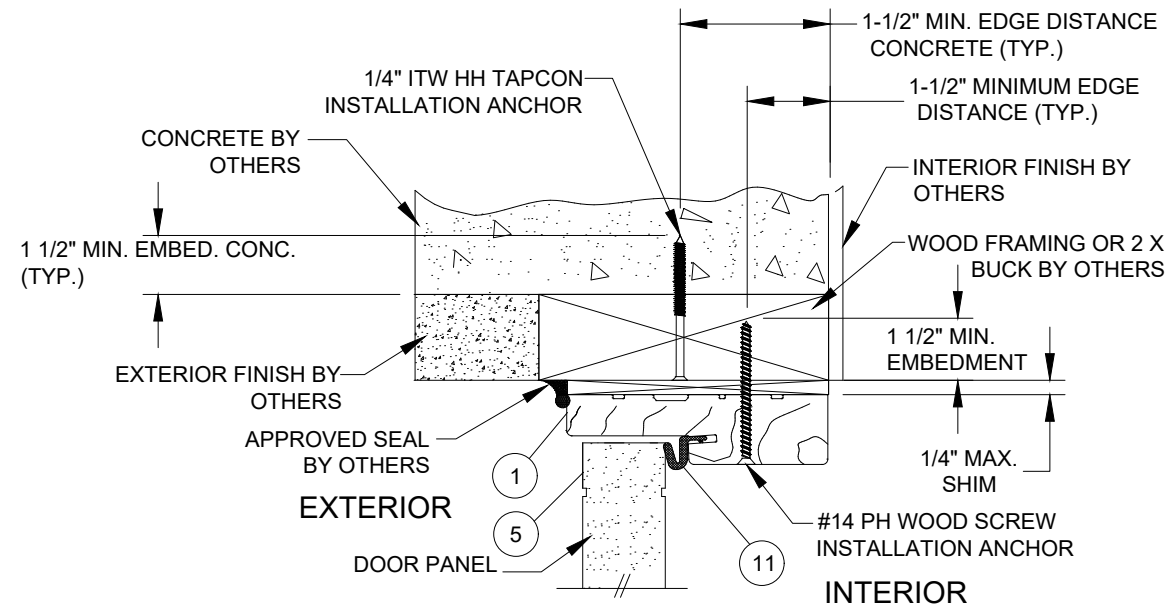
SERIES: WinForce I.S. / O.S. (X,XX)
GLAZED FIBERGLASS ENTRY DOOR
8'-0" HIGH ELEVATION AND D.P. CHART

DRAWN: JRM	DWG NO. NL-0133	REV 1
SCALE NTS	DATE 05/06/2019	SHEET 3 OF 8

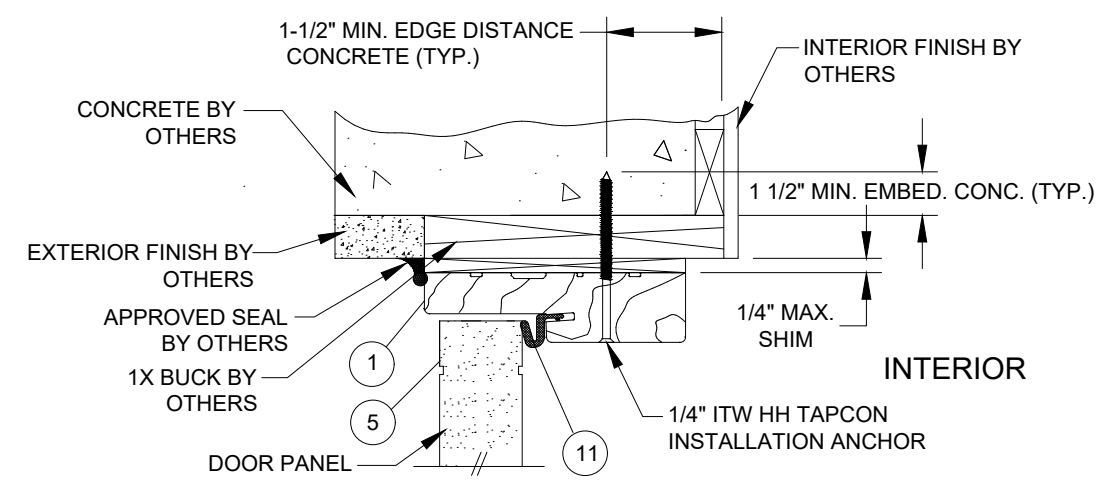
ROBERT J. AMORUSO
TX P.E. NO. 80817

734 S CENTER ST.
ORMOND BEACH, FL 32174
RJAENGPE@GMAIL.COM

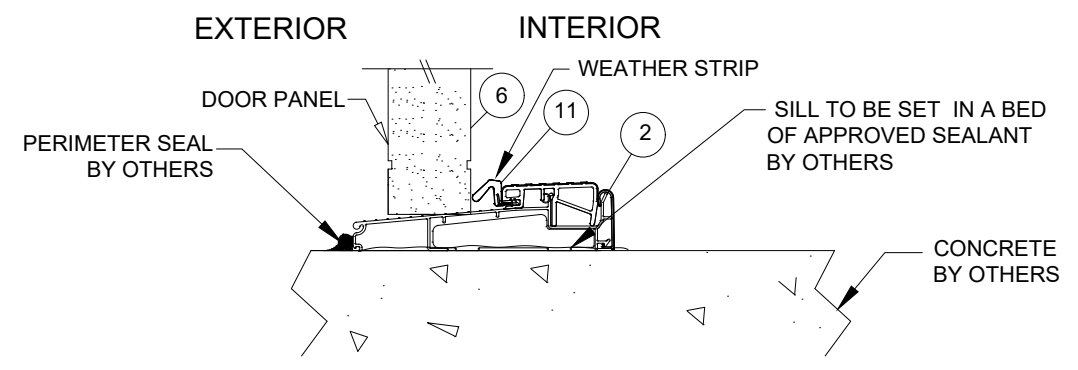
REVISIONS			
REV	DESCRIPTION	DATE	APPROVED



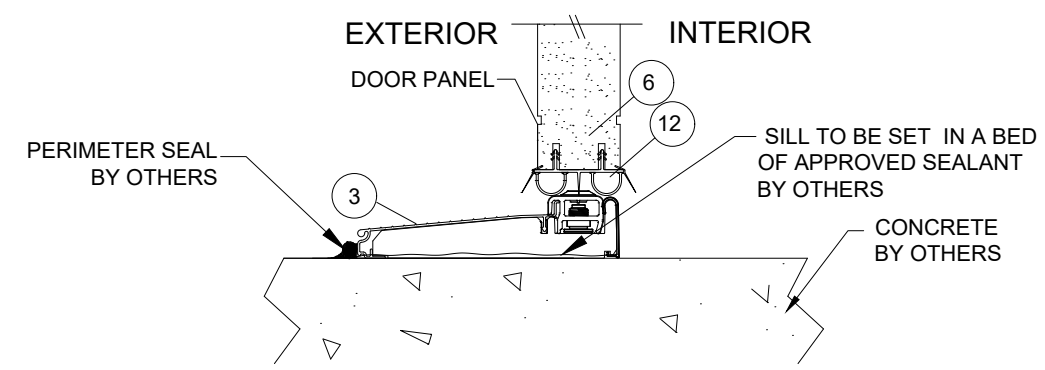
A VERTICAL CROSS SECTION
4 OUTSWING SHOWN-INSWING SIMILAR
 2X BUCK OR WOOD FRAME INSTALLATION



B VERTICAL CROSS SECTION
4 OUTSWING SHOWN-INSWING SIMILAR
 1X BUCK CONCRETE INSTALLATION



C VERTICAL CROSS SECTION
4 OUTSWING CONCRETE INSTALLATION



D VERTICAL CROSS SECTION
4 IN-SWING CONCRETE INSTALLATION

Northeast Building Products Corporation
 4280 Aramingo Ave
 Philadelphia, PA 19124

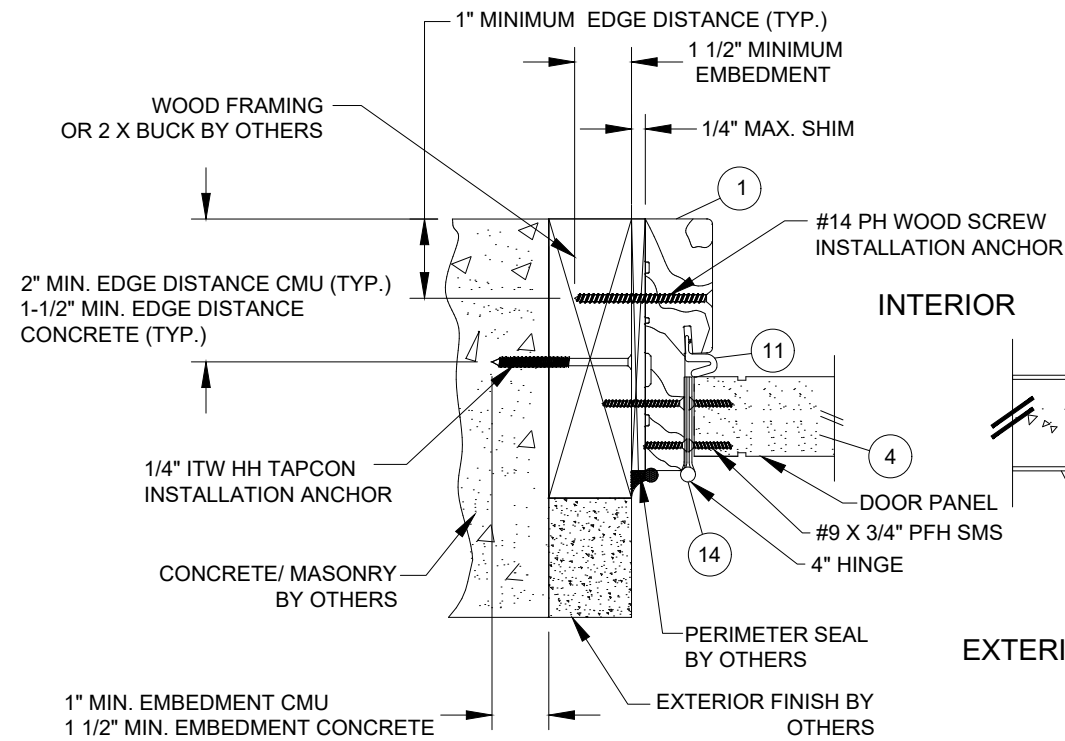
SERIES: WinForce I.S. / O.S. (X,XX)
 GLAZED FIBERGLASS ENTRY DOOR
 VERTICAL INSTALLATION DETAILS

DRAWN: JRM	DWG NO. NL-0133	REV 1
SCALE NTS	DATE 05/06/2019	SHEET 4 OF 8

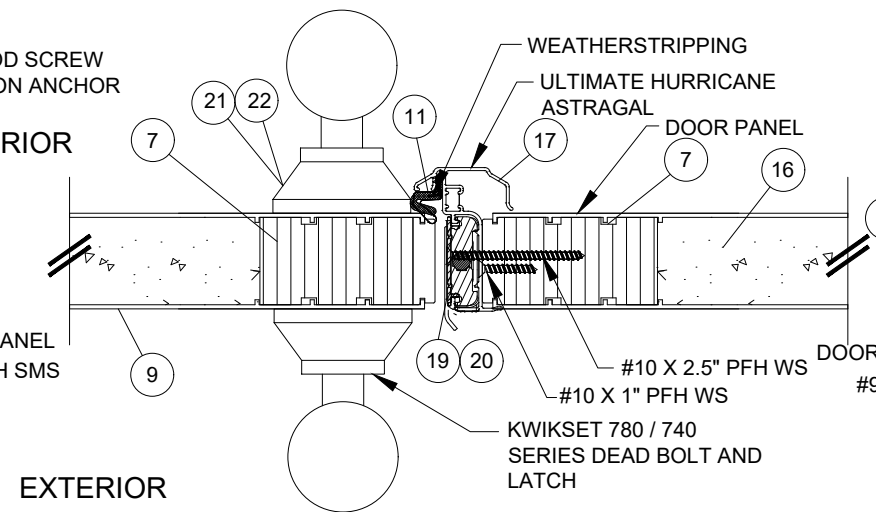
ROBERT J. AMORUSO
 TX P.E. NO. 80817

734 S CENTER ST.
 ORMOND BEACH, FL 32174
 RJAENGPE@GMAIL.COM

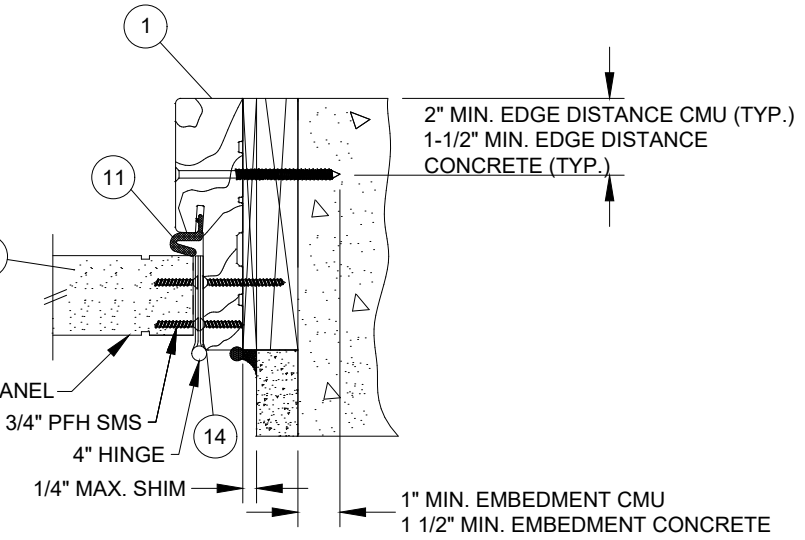
REVISIONS			
REV	DESCRIPTION	DATE	APPROVED



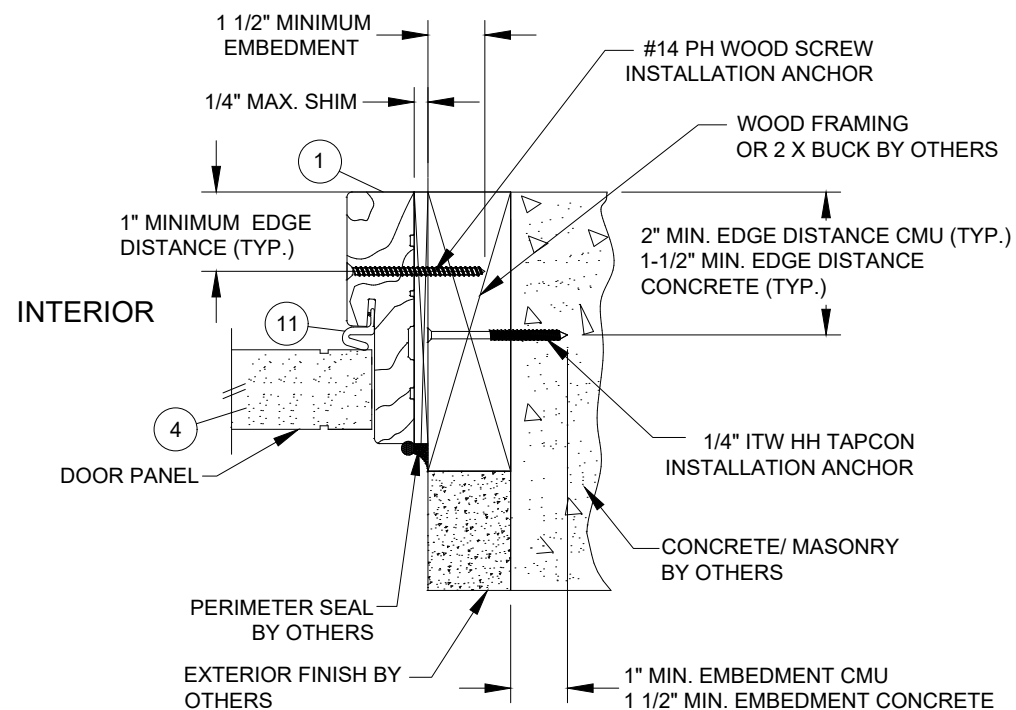
E HORIZONTAL CROSS SECTION
5 OUTSWING SHOWN-INSWING SIMILAR
 2X BUCK OR WOOD FRAME INSTALLATION



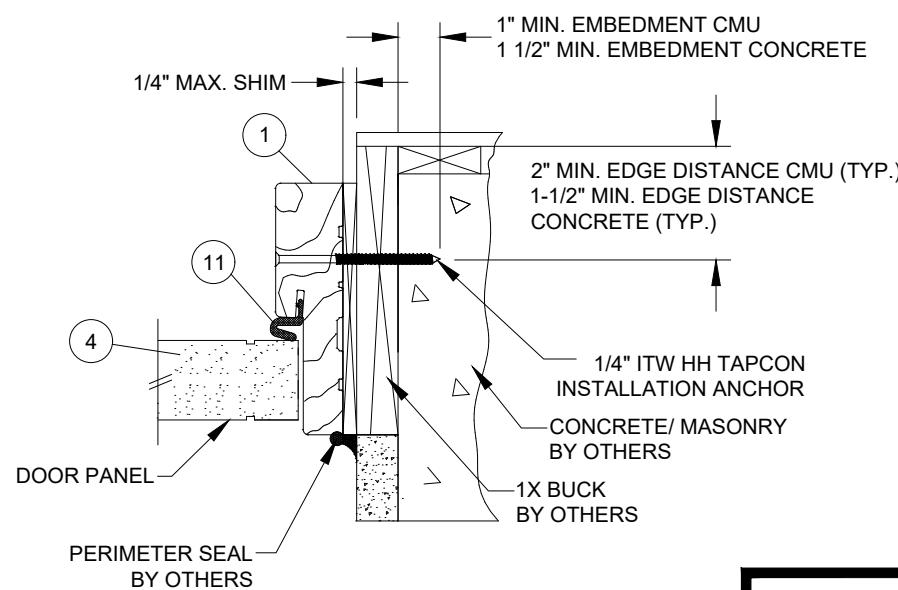
I ASTRAGAL SECTION
5 OUTSWING SHOWN-INSWING SIMILAR



F HORIZONTAL CROSS SECTION
5 OUTSWING SHOWN-INSWING SIMILAR
 1X BUCK CONCRETE/MASONRY INSTALLATION



G HORIZONTAL CROSS SECTION
5 OUTSWING SHOWN-INSWING SIMILAR
 2X BUCK OR WOOD FRAME INSTALLATION



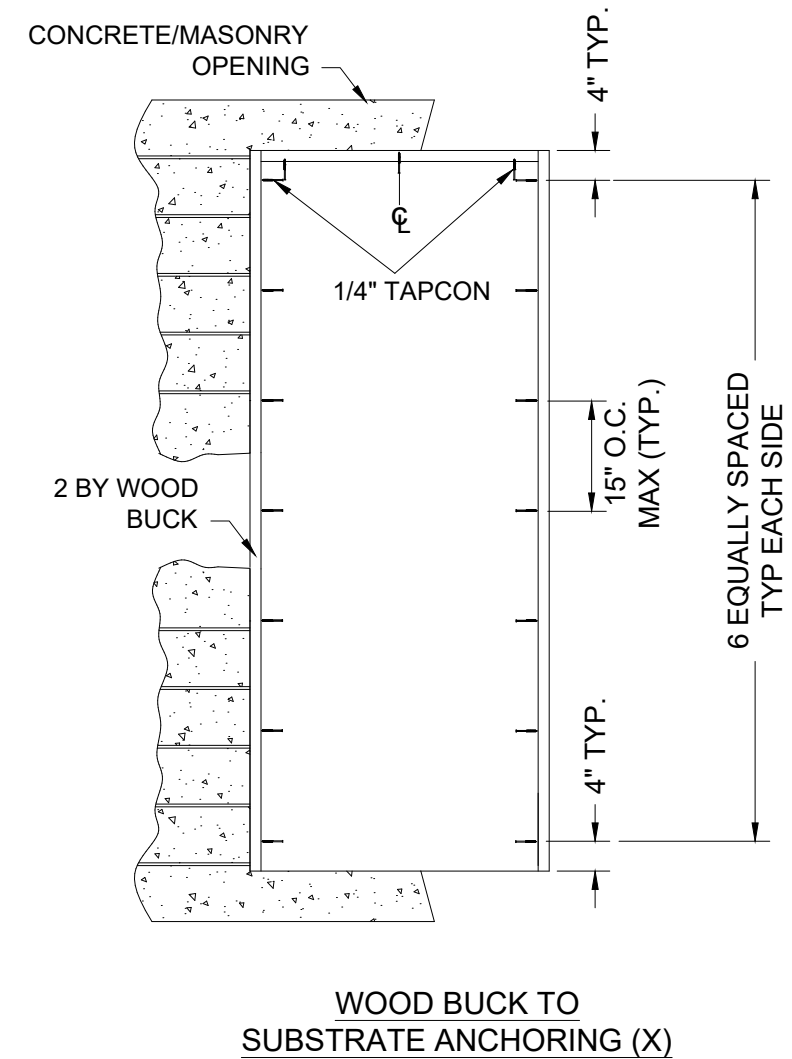
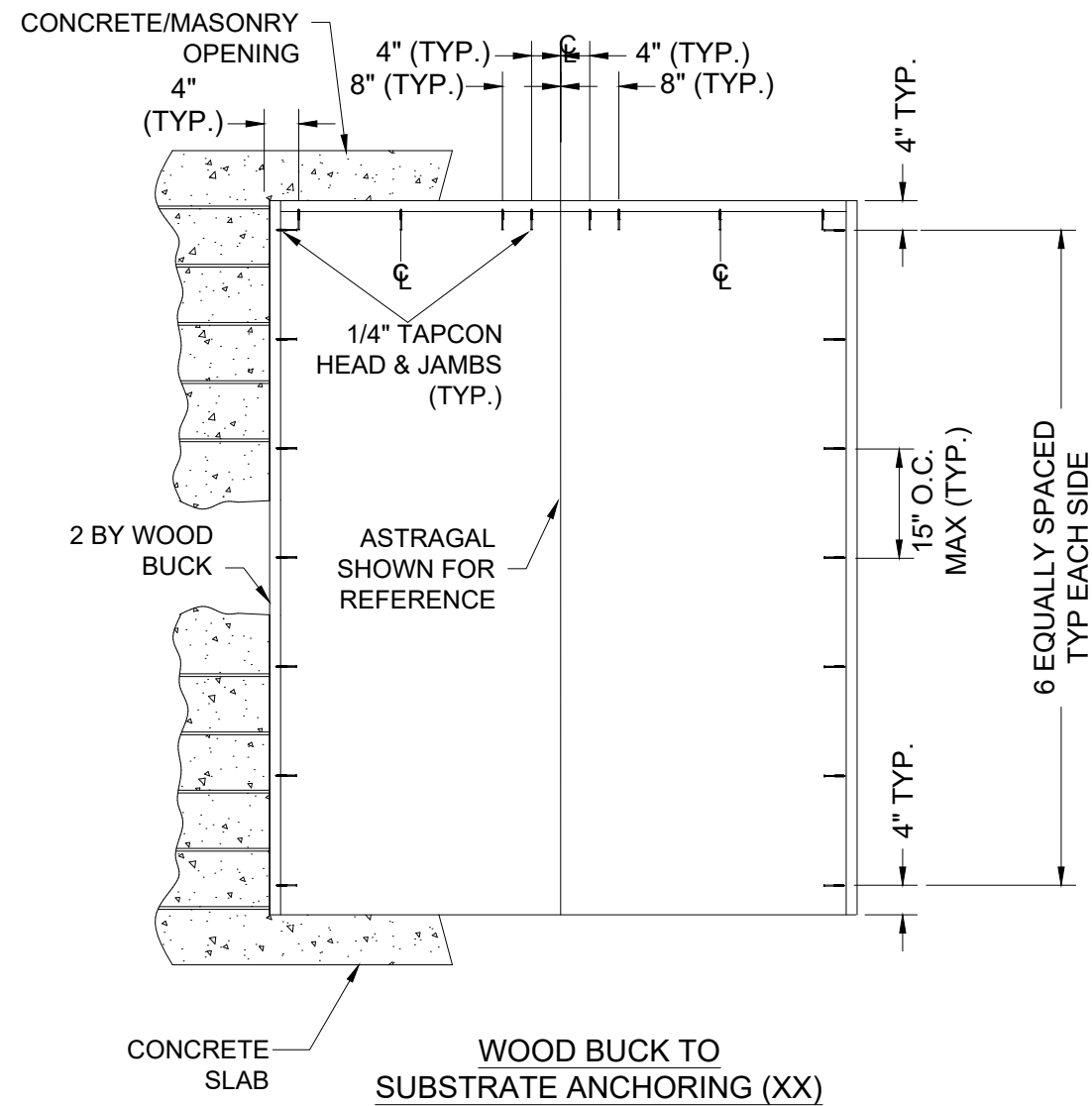
H HORIZONTAL CROSS SECTION
5 OUTSWING SHOWN-INSWING SIMILAR
 1X BUCK CONCRETE/MASONRY INSTALLATION

Northeast Building Products Corporation 4280 Aramingo Ave Philadelphia, PA 19124		
SERIES: WinForce I.S. / O.S. (X,XX) GLAZED FIBERGLASS ENTRY DOOR HORIZONTAL INSTALLATION DETAILS		
DRAWN: JRM	DWG NO. NL-0133	REV 1
SCALE NTS	DATE 05/06/2019	SHEET 5 OF 8

ROBERT J. AMORUSO
 TX P.E. NO. 80817

734 S CENTER ST.
 ORMOND BEACH, FL 32174
 RJAENGPE@GMAIL.COM

REVISIONS			
REV	DESCRIPTION	DATE	APPROVED



CONCRETE ANCHOR NOTES:

1. CONCRETE ANCHOR LOCATIONS AT THE CORNERS MAY BE ADJUSTED TO MAINTAIN THE MIN. EDGE DISTANCE TO THE MAJOR JOINTS.
2. CONCRETE ANCHOR LOCATIONS NOTED AS "MAX. ON CENTER" MUST BE ADJUSTED TO MAINTAIN THE MIN. EDGE DISTANCE TO MORTAR JOINTS, ADDITIONAL CONCRETE ANCHORS MAY BE REQUIRED TO ENSURE THE "MAX ON CENTER" DIMENSION ARE NOT EXCEEDED.
3. SEE CONCRETE ANCHOR TABLE BELOW:

ANCHOR SIZE	ANCHOR TYPE	SUBSTRATE	MIN. EMBED.	MIN. EDGE DIST.	MIN. DIST BETWEEN ANCHOR
1/4"	ITW TAPCON	CONCRETE	1-1/2"	1-1/2"	4"
		MASONRY (CMU)	1"	2"	4"
	ELCO ULTRACON	CONCRETE	1-3/4"	1"	4"
		MASONRY (CMU)	1-1/4"	1"	6"
	SIMPSON STRONG-TIE TITEN	CONCRETE	1-1/2"	1-1/2"	3"
		MASONRY (CMU)	1"	1-1/2"	3"

Northeast Building Products Corporation
4280 Aramingo Ave
Philadelphia, PA 19124

SERIES: WinForce I.S. / O.S. (X,XX)
GLAZED FIBERGLASS ENTRY DOOR
BUCK INSTALLATION TO SUBSTRATE

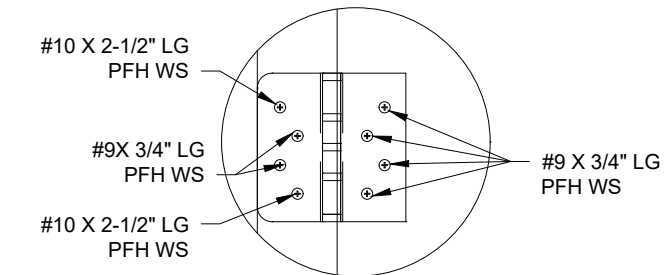
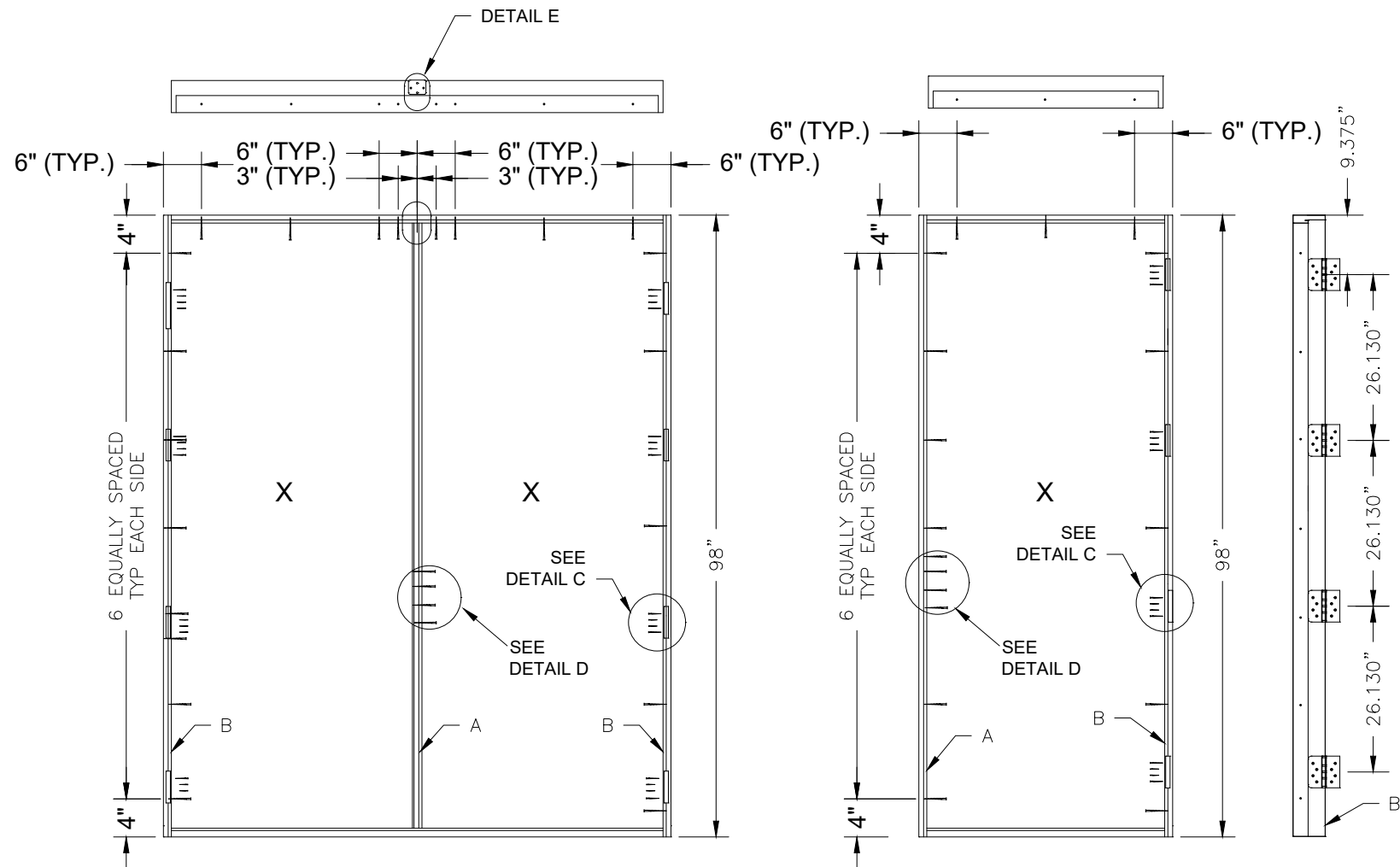
DRAWN: JRM	DWG NO. NL-0133	REV 1
SCALE NTS	DATE 05/06/2019	SHEET 6 OF 8

ROBERT J. AMORUSO
TX P.E. NO. 80817

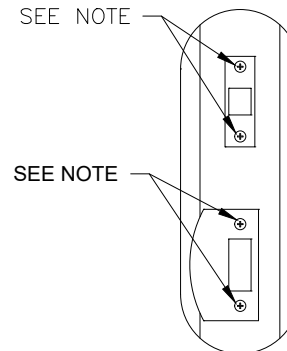
734 S CENTER ST.
ORMOND BEACH, FL 32174
RJAENGPE@GMAIL.COM

REVISIONS

REV	DESCRIPTION	DATE	APPROVED

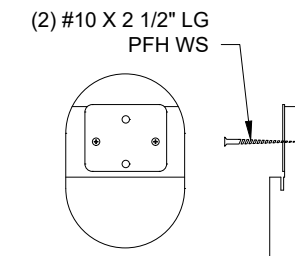


DETAIL C



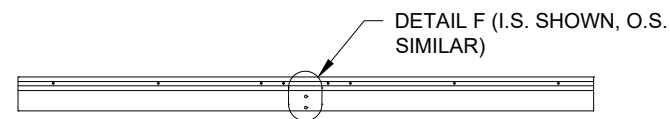
DETAIL D

NOTE:
 WHEN ATTACHING THE STRIKE & DEADBOLT PLATES TO THE STRIKE AND BUCK USE #10 X 2" PFH WOOD SCREWS.
 WHEN ATTACHING THE STRIKE & DEADBOLT PLATES TO THE ASTRAGAL USE #9 X 2-1/2" PFH WOOD SCREWS.
 WHEN ATTACHING THE STRIKE JAMB USE #10 X 2" PFH WOOD SCREWS.

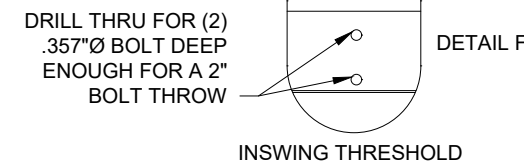


DETAIL E
ALUMINUM ASTRAGAL

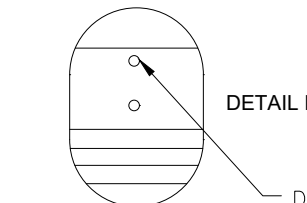
ALUMINUM ASTRAGAL;
 ATTACH ASTRAGAL THROWBOLT STRIKE PLATE TO FRAME AS SHOWN.



DOOR FRAME TO 2X WOOD BUCK OR CONCRETE/MASONRY SUBSTRATE ANCHORING
 X, XX



INSWING THRESHOLD



OUTSWING THRESHOLD

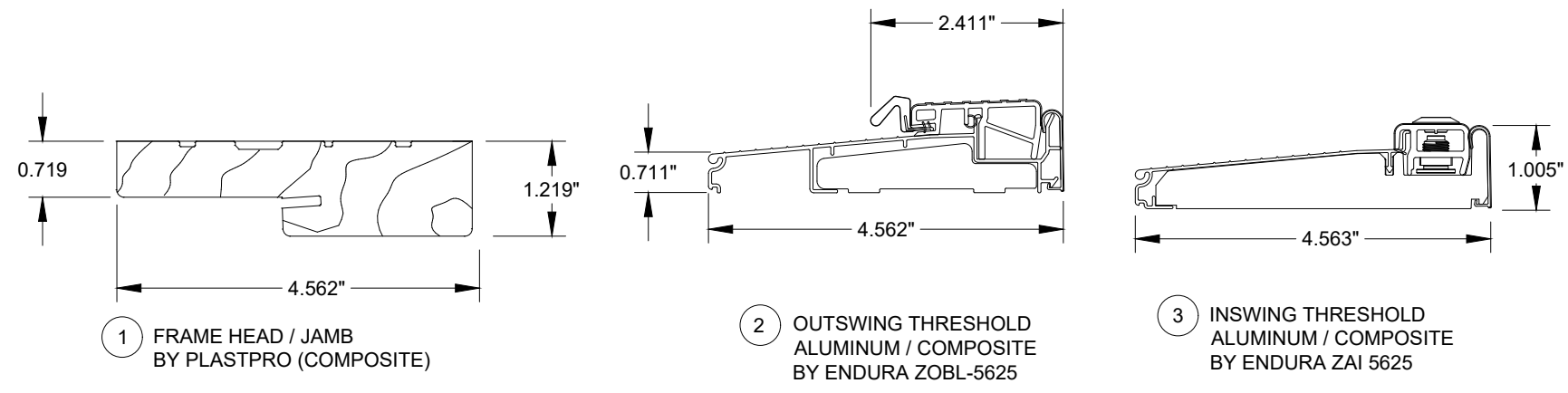
DRILL THRU FOR (2) .357"Ø BOLTS DEEP ENOUGH FOR A 2" BOLT THROW

Northeast Building Products Corporation 4280 Aramingo Ave Philadelphia, PA 19124		
SERIES: WinForce I.S. / O.S. (X,XX) GLAZED FIBERGLASS ENTRY DOOR FRAME INSTALLATION TO BUCK		
DRAWN: JRM	DWG NO. NL-0133	REV 1
SCALE NTS	DATE 05/06/2019	SHEET 7 OF 8

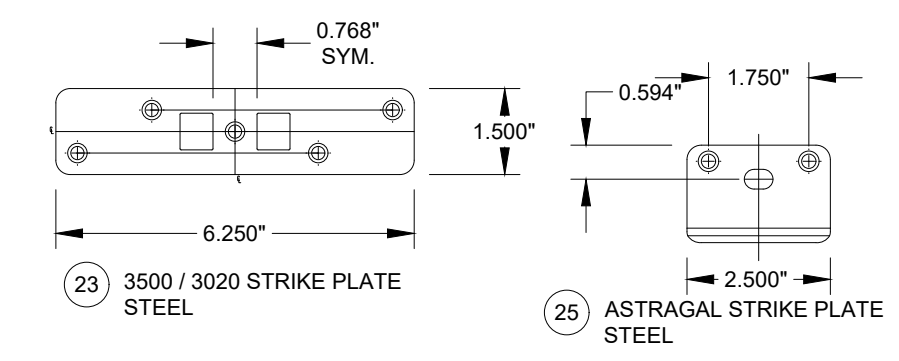
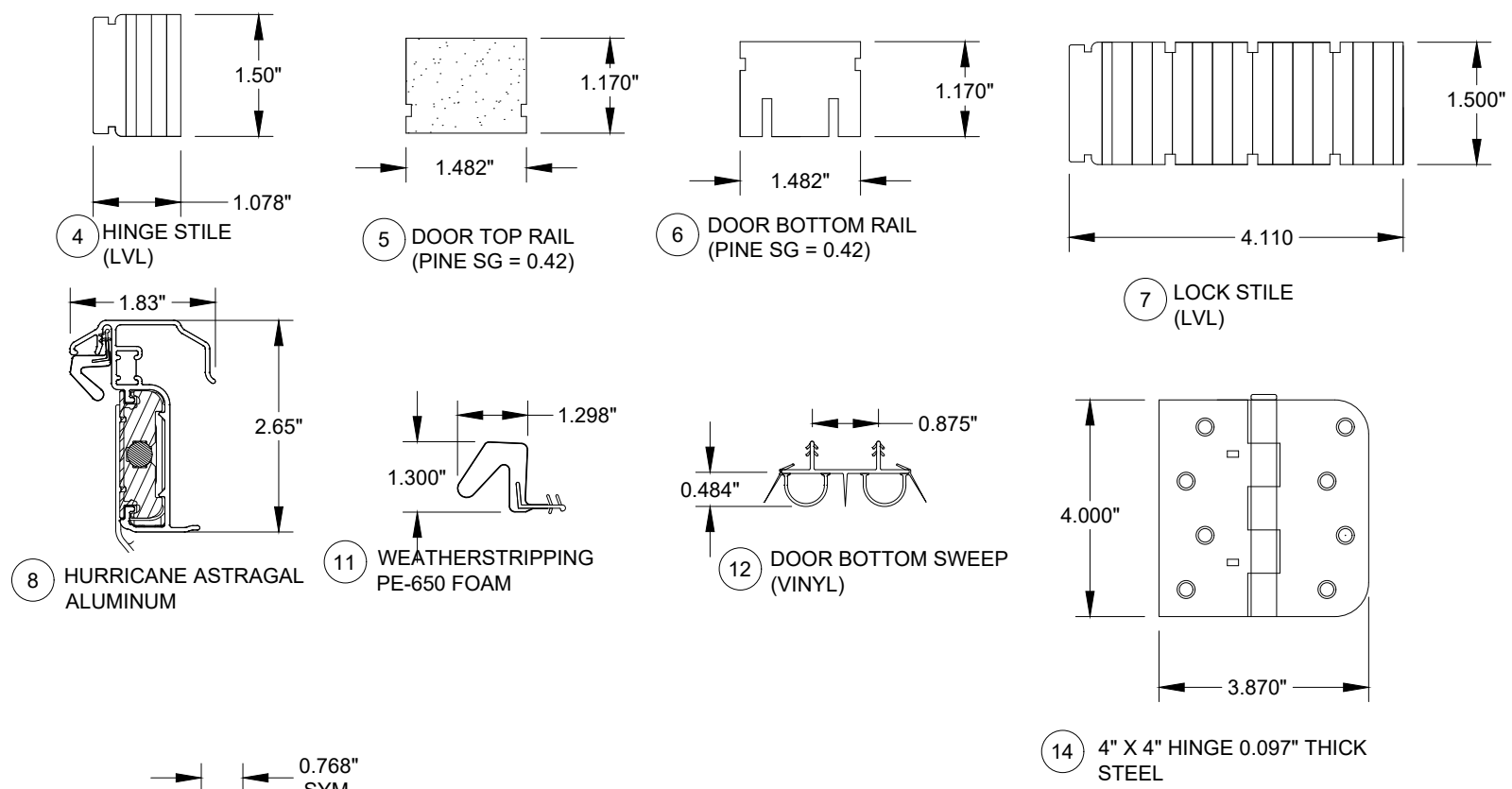
ROBERT J. AMORUSO
 TX P.E. NO. 80817

734 S CENTER ST.
 ORMOND BEACH, FL 32174
 RJAENGPE@GMAIL.COM

REVISIONS			
REV	DESCRIPTION	DATE	APPROVED



BILL OF MATERIAL			
ITEM #	DESCRIPTION	QTY.	VENDER
1	HEAD / JAMB- COMPOSITE MATERIAL		PLASTPRO
2	OUTSWING BUMP THRESHOLD ZOBL5625		ENDURA
3	INSWING ADJUSTABLE THRESHOLD ZAI5625		ENDURA
4	DOOR STILE - CORE MATERIAL WOOD OR LVL		PLASTPRO
5	DOOR TOP RAIL		PLASTPRO
6	DOOR BOTTOM RAIL		PLASTPRO
7	DOOR LOCK STILE - CORE MATERIAL WOOD OR LVL		PLASTPRO
8	HURRICANE ASTRAGAL		ENDURA
9	DOOR SKIN (MIN. 0.120" THICK)		PLASTPRO
10	REINFORCEMENT WOOD FOR LOCKS		PLASTPRO
11	COMPRESSION WEATHERSTRIP-PE-650 QLON		NOVA
12	VINYL DOOR BOTTOM SWEEP-DBKAC		FEN SEAL
13	CORNER PAD		PURCHASE
14	4" X 4" HINGE BUTT		PURCHASE
15	CONTINUOUS LATCH AND HINGE STILE REINFORCEMENT		
16	POLYURETHANE FOAM BY PLASTPRO		PLASTPRO
17	EXTRUDED ALUMINUM ASTRAGAL BY ENDURA-6063T-6		ENDURA
18	THIS LINE NOT USED-----		
19	LATCH STRIKE PLATE		PURCHASE
20	DEAD BOLT STRIKE PLATE		PURCHASE
21	KWIKSET 780 SERIES KNOB		PURCHASE
22	KWICKSET 740 SERIES DEADBOLT		PURCHASE
23	LATCH STRIKE PLATE		PURCHASE
24	DEADBOLT PLATE		PURCHASE
25	ASTRAGAL STRIKE PLATE		PURCHASE
26	#10 X 3 /4" PFH WOOD SCREW (HINGE TO FRAME)		PURCHASE
27	#10 X 2 -1 /2" PFH WOOD SCREW		PURCHASE
28	#10 X 1" PFH WOOD SCREW		PURCHASE
29	RSL GLAZING INSERT-PVC FRAME		PURCHASE



ROBERT J. AMORUSO
TX P.E. NO. 80817

Northeast Building Products Corporation
4280 Aramingo Ave
Philadelphia, PA 19124

SERIES: WinForce I.S. / O.S. (X,XX)
GLAZED FIBERGLASS ENTRY DOOR
B.O.M. AND COMPONENTS

DRAWN: JRM	DWG NO. NL-0133	REV 1
SCALE NTS	DATE 05/06/2019	SHEET 8 OF 8

734 S CENTER ST.
ORMOND BEACH, FL 32174
RJAENGPE@GMAIL.COM