

NORTHEAST BUILDING PRODUCTS CORPORATION SERIES "WINFORCE" FIBERGLASS GLAZED INSWING OX & OXO DOOR WITH GLAZED SIDELITES, IMPACT

REVISIONS			
REV	DESCRIPTION	DATE	APPROVED

GENERAL NOTES:

1. THIS PRODUCT HAS BEEN EVALUATED TO COMPLY WITH THE CURRENT PROVISIONS OF THE 2018 INTERNATIONAL BUILDING CODE AND 2018 INTERNATIONAL RESIDENTIAL CODE AND IS BASED ON TESTING CONDUCTED TO AAMA/WDMA/CSA/I.S.2/A440 AND ASTM E1886 & ASTM 1996 TEST PROTOCOLS PER TEST REPORT NO. 210-4124-01.
2. ADEQUACY OF THE EXISTING STRUCTURAL CONCRETE, MASONRY AND 2X FRAMING AS A MAIN WIND FORCE RESISTING SYSTEM CAPABLE OF WITHSTANDING AND TRANSFERRING APPLIED PRODUCT LOADS TO THE FOUNDATION IS THE RESPONSIBILITY OF THE ENGINEER OR ARCHITECT OF RECORD FOR THE PROJECT OF INSTALLATION.
3. 1X BUCK OVER MASONRY AND/OR CONCRETE IS OPTIONAL. WHERE 1X BUCK IS NOT USED DISSIMILAR MATERIALS MUST BE SEPARATED WITH APPROVED COATING OR MEMBRANE. SELECTION OF COATING OR MEMBRANE IS THE RESPONSIBILITY OF THE ARCHITECT OR ENGINEER OF RECORD.
4. THE INSTALLATION DETAILS DESCRIBED HEREIN ARE GENERIC AND MAY NOT REFLECT ACTUAL CONDITIONS FOR A SPECIFIC SITE. IF THE INSTALLATION METHODS DEVIATE FROM THESE APPROVED DETAILS THIS WOULD REQUIRE FURTHER INVESTIGATION BY A LICENSED OR REGISTERED DESIGN PROFESSIONAL.
5. IN AREAS WHERE WINDBORNE DEBRIS PROTECTION REQUIREMENTS EXIST, USE OF AN IMPACT PROTECTIVE SYSTEM COMPLYING WITH THE REQUIREMENTS FOR WINDBORNE DEBRIS REGIONS IS NOT REQUIRED FOR THE PRODUCT(S) HEREIN.
6. MATERIALS:
 - 6.1. FRAME: POLYFIBER
 - 6.2. DOOR: FIBERGLASS SKIN 0.125" THICK MIN. (MIN.Fy = 11,860 PSI).
 - 6.3. MISCELANIUS: 6063-T5 ALUMINUM
7. GLAZING:
 - 7.1. GLASS MEETS THE REQUIREMENTS OF ASTM E1300-12ae1.
 - 7.2. SEE GLAZING DETAIL ON SHEET 2 OF 9.
 - 7.3. GLASS SHALL MEET SAFETY GLAZING REQUIREMENTS OF THE INTERNATIONAL BUILDING AND RESIDENTIAL CODES.
 - 7.4. INTERLAYER: KURARAY AMERICA TROSIFOL PVB INTERLAYER.
8. PANEL OPERABILITY DESIGNATIONS:
 - 8.1. (X) IS AN OPERABLE PANEL.
 - 8.2. (O) IS A STATIONARY PANEL

INSTALLATION NOTES:

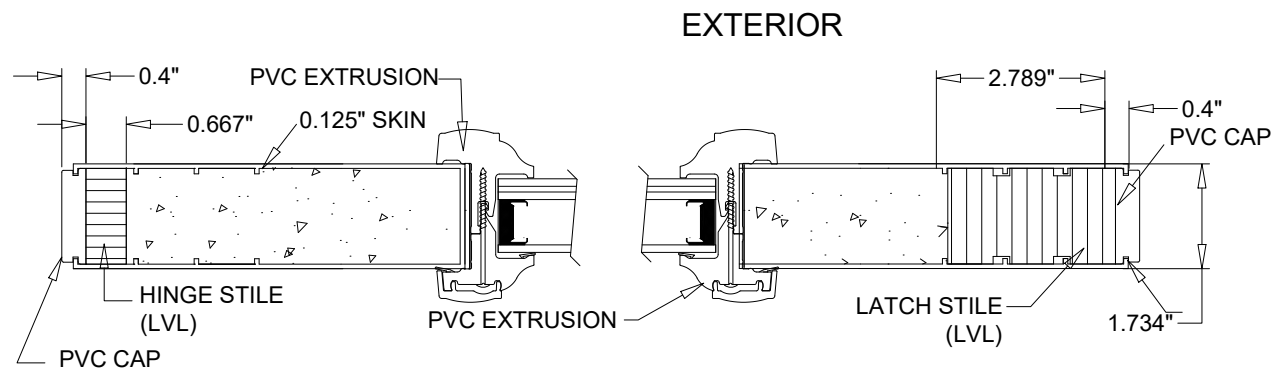
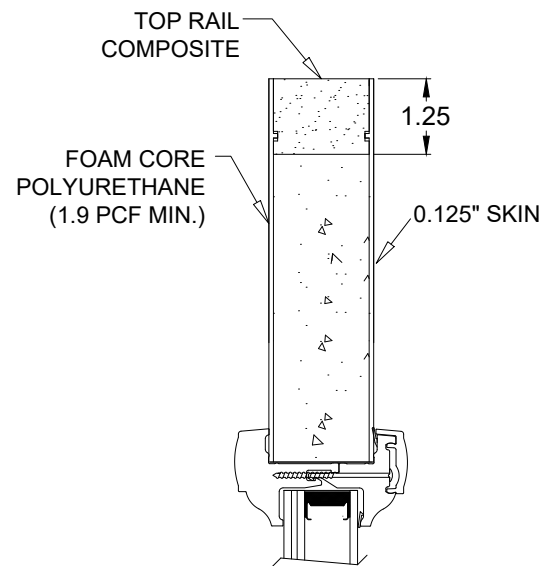
1. SHIM AS REQUIRED AT EACH INSTALLATION ANCHOR WITH A LOAD BEARING SHIM, SHIM WHERE SPACE OF 1/16" OR GREATER OCCURS. MAXIMUM ALLOWABLE SHIM STACK TO BE 1/4".
2. FOR ANCHORING INSTALLATION THROUGH FRAME INTO MASONRY/CONCRETE USE 1/4" ADVANCED THREADFORM TAPCONS WITH SUFFICIENT LENGTH TO ACHIEVE THE FOLLOWING:
 - 2.1. CONCRETE: 1-1/2" MINIMUM EMBEDMENT INTO SUBSTRATE WITH 1-1/2" MINIMUM EDGE DISTANCE.
 - 2.2. CMU/MASONRY: 1" MINIMUM EMBEDMENT INTO SUBSTRATE WITH 2" MINIMUM EDGE DISTANCE.
3. FOR ANCHORING INSTALLATION THROUGH FRAME INTO WOOD FRAMING OR 2X BUCK USE #14 WOOD SCREWS (ANSI B18.6.1) WITH MINIMUM GRADE 2 STRENGTH AND WITH SUFFICIENT LENGTH TO ACHIEVE 1-1/2" MINIMUM EMBEDMENT INTO SUBSTRATE WITH 1" MINIMUM EDGE DISTANCE.
4. FOR ANCHORING INSTALLATION THROUGH FRAME INTO METAL SUBSTRATE USE #14 TAPPING SCREWS (ANSI B18.6.4) WITH MINIMUM GRADE 2 STRENGTH AND WITH SUFFICIENT LENGTH TO ACHIEVE MINIMUM 3 THREADS PAST INTERIOR OF STUD WITH 1" MINIMUM EDGE DISTANCE.
5. SEE SHEET 7 FOR 2X BUCK TO CONCRETE/MASONRY INSTALLATION.
6. INSTALLATION ANCHOR CAPACITIES FOR PRODUCTS HEREIN ARE BASED ON SUBSTRATE MATERIALS WITH THE FOLLOWING PROPERTIES:
 - 6.1. WOOD - MINIMUM SPECIFIC GRAVITY OF 0.42
 - 6.2. CONCRETE - MINIMUM COMPRESSIVE STRENGTH OF 2500 PSI.
 - 6.3. MASONRY - STRENGTH CONFORMANCE TO ASTM C-90 MEDIUM WEIGHT WITH COMPRESSIVE STRENGTH OF 1900 psi (DENSITY > 117 PCF).

TABLE OF CONTENTS	
SHEET NO.	DESCRIPTION
1	GENERAL NOTES
2	DOOR PANEL DETAILS
3	ELEVATION AND D.P. CHARTS
4-6	INSTALLATION DETAILS
7	2X WOOD BUCK TO SUBSTRATE INSTALLATION
8	FRAME ANCHORING LAYOUTS
9	BILL OF MATERIALS AND COMPONENTS

Northeast Building Products Corporation 4280 Aramingo Ave Philadelphia, PA 19124		
SERIES: WinForce I.S. (OX, OXO) FIBERGLASS ENTRY DOOR GENERAL NOTES		
DRAWN: JRM	DWG NO. NL-0130	REV 1
SCALE NTS	DATE 2/5/2019	SHEET 1 OF 9

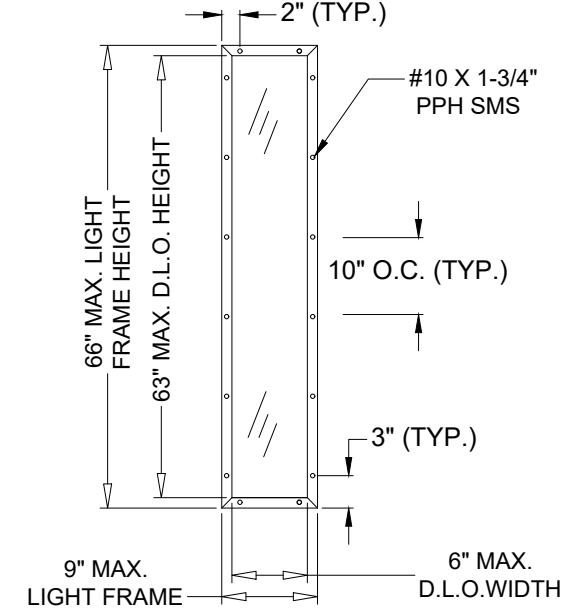
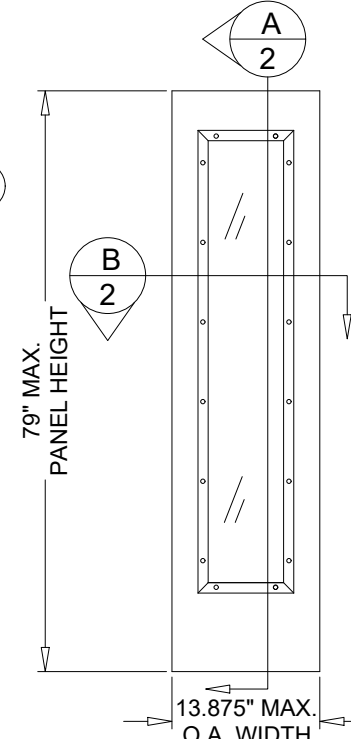
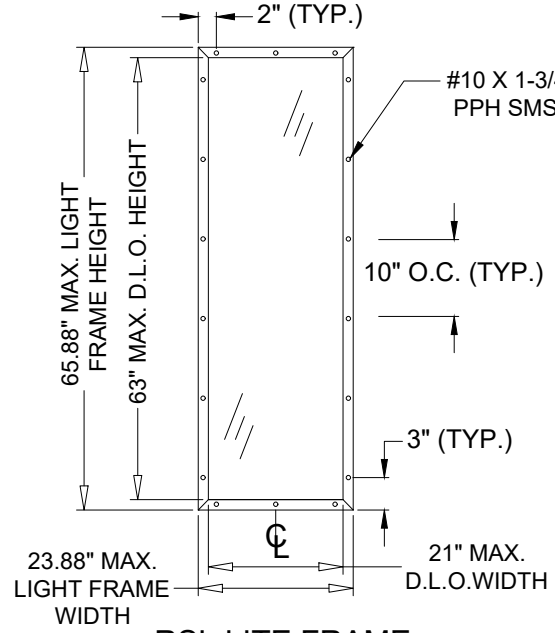
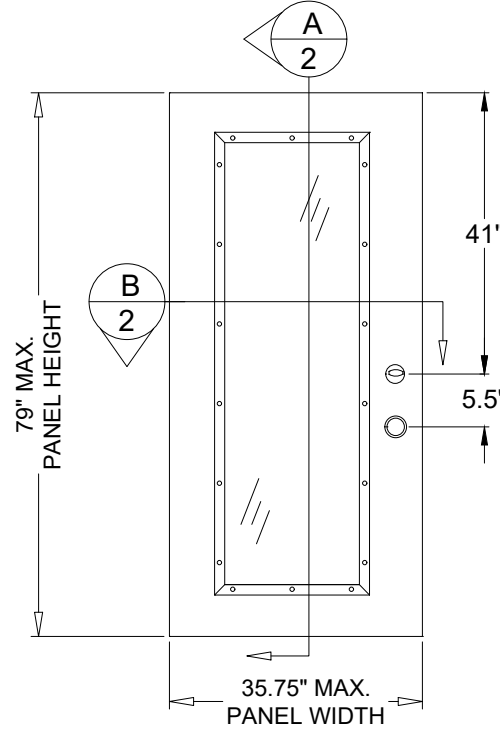
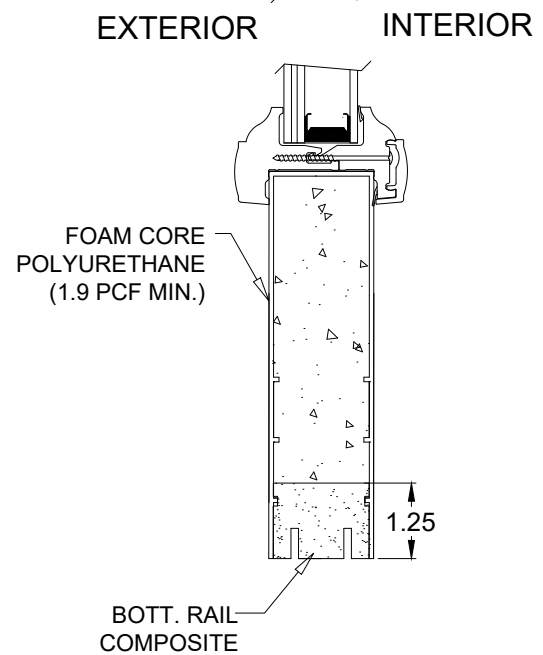
ROBERT J. AMORUSO TX P.E. NO. 80817
734 S CENTER ST. ORMOND BEACH, FL 32174 RJAENGPE@GMAIL.COM

REVISIONS			
REV	DESCRIPTION	DATE	APPROVED



HARDWARE TABLE	
MANUFACTURER	MODEL
KWIKSET	KNOB: 740 SERIES
	DEADBOLT: 780 SERIES

B
2 HORIZONTAL CROSS SECTION
RSL HURRICANE IMPACT
GLAZING INSERT OPTION



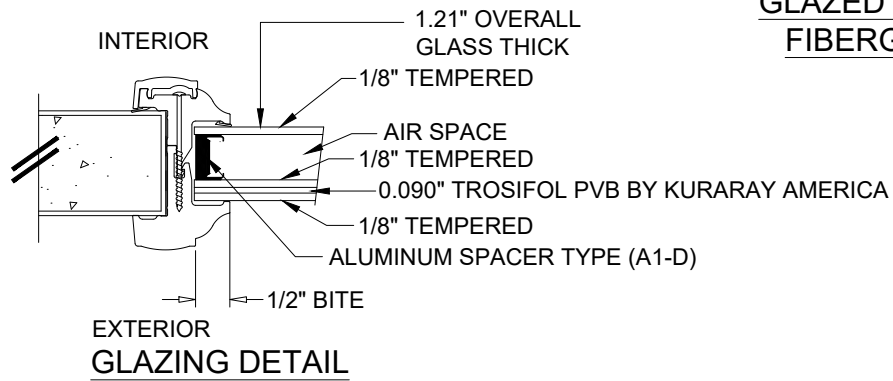
A
2 VERTICAL CROSS SECTION
RSL HURRICANE IMPACT
GLAZING INSERT OPTION

PLASTPRO 6'8"
GLAZED INSERT
FIBERGLASS

RSL LITE FRAME
INSERT 6'8"

SIDELIGHT PANEL
PLASTPRO 6'8"
FIBERGLASS

RSL LITE FRAME
INSERT 6'8"



EXTERIOR
GLAZING DETAIL

ROBERT J. AMORUSO
TX P.E. NO. 80817

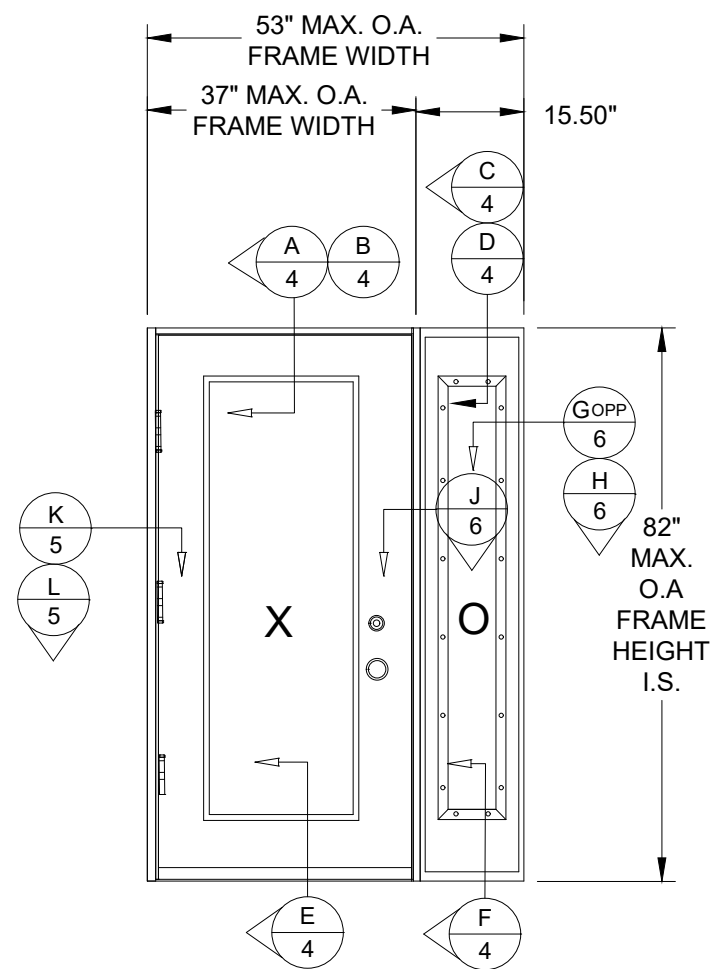
Northeast Building Products Corporation
4280 Aramingo Ave
Philadelphia, PA 19124

SERIES: WinForce I.S. (OX, OX0)
FIBERGLASS ENTRY DOOR
DOOR PANEL DETAILS—RSL INSERT

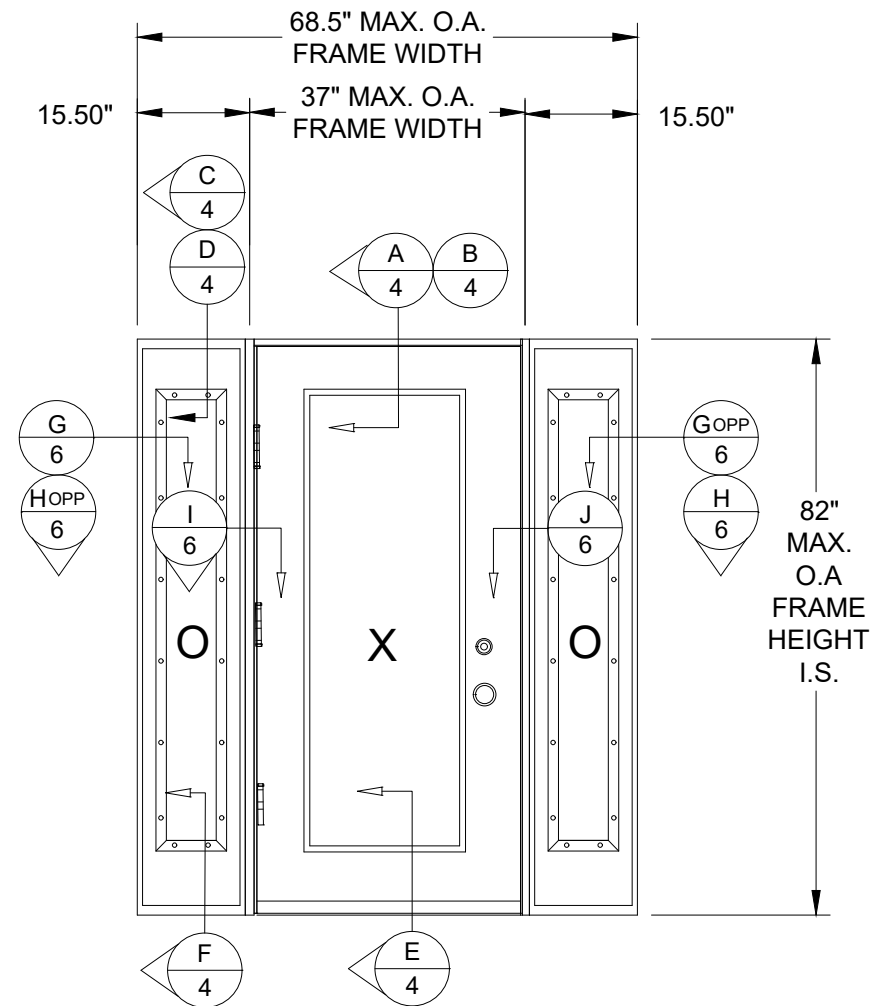
DRAWN: JRM	DWG NO. NL-0130	REV 1
SCALE NTS	DATE 2/5/2019	SHEET 2 OF 9

734 S CENTER ST.
ORMOND BEACH, FL 32174
RJAENGPE@GMAIL.COM

REVISIONS			
REV	DESCRIPTION	DATE	APPROVED



**SERIES WINFORCE
XO ELEVATION
EXTERIOR VIEW**



**SERIES WINFORCE
OXO ELEVATION
EXTERIOR VIEW**

INSWING THRESHOLD			
DOOR PANEL	CONFIG.	DESIGN PRESSURE RATING	IMPACT RATING
PLASTPRO (GLAZED) FIBERGLASS	OXO	±55PSF	MISSILE LEVEL D WIND ZONE 4
	OX, XO	±55PSF	
SIDELIGHT RSL (GLAZED)	THIS SIDE-HINGED DOOR SYSTEM TESTED FOR LIMITED WATER (LW) IN ACCORDANCE WITH AAMA/WDMA/CSA 101/I.S. 2/A440-08 AND 11. WATER PENETRATION RESISTANCE TEST PRESSURE EQUAL TO POSITIVE 2.88 PSF (EQUATES TO POSITIVE 19.2 PSF DESIGN PRESSURE).		

ROBERT J. AMORUSO
TX P.E. NO. 80817

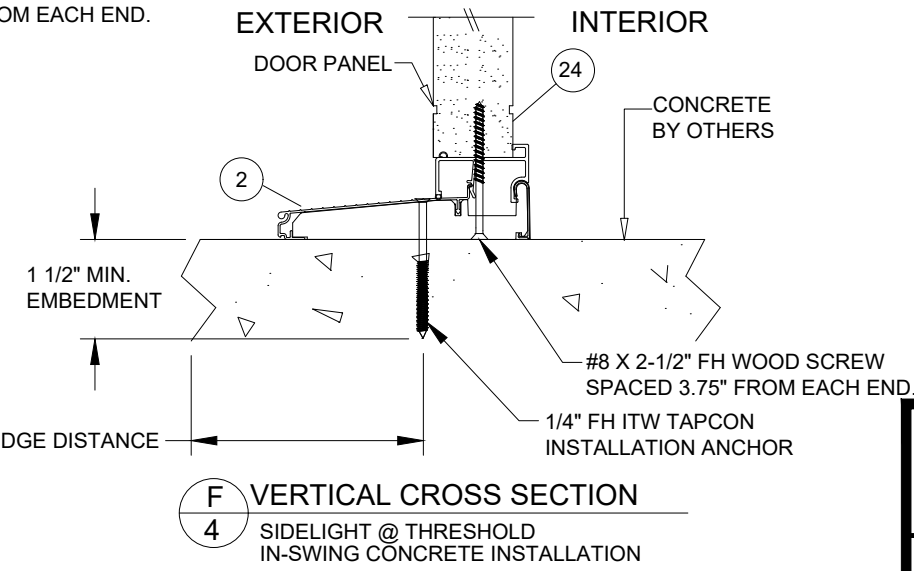
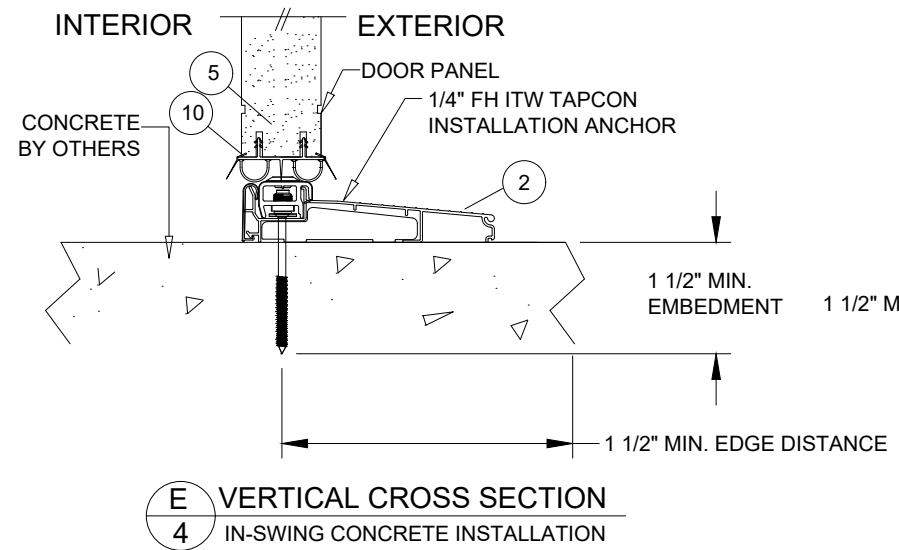
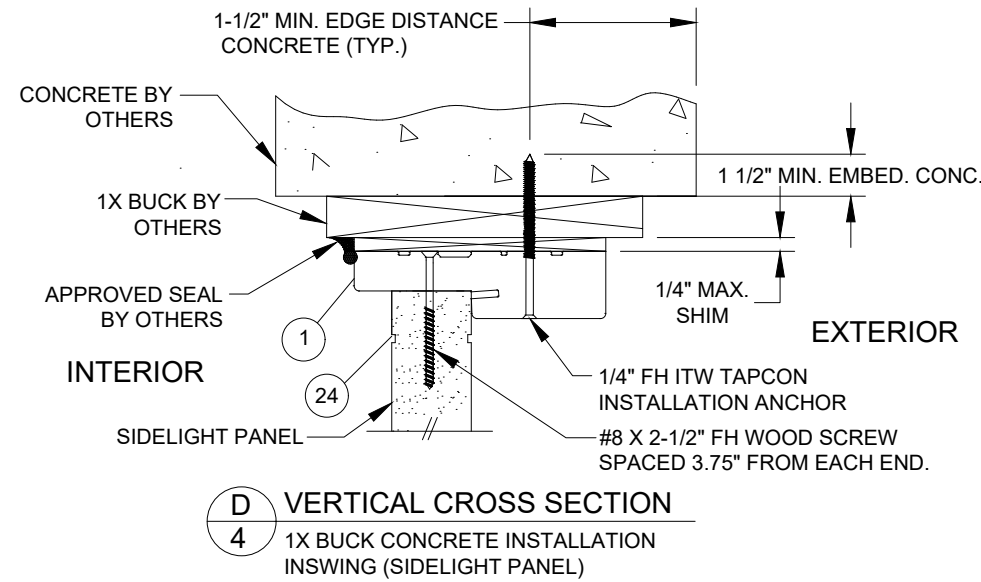
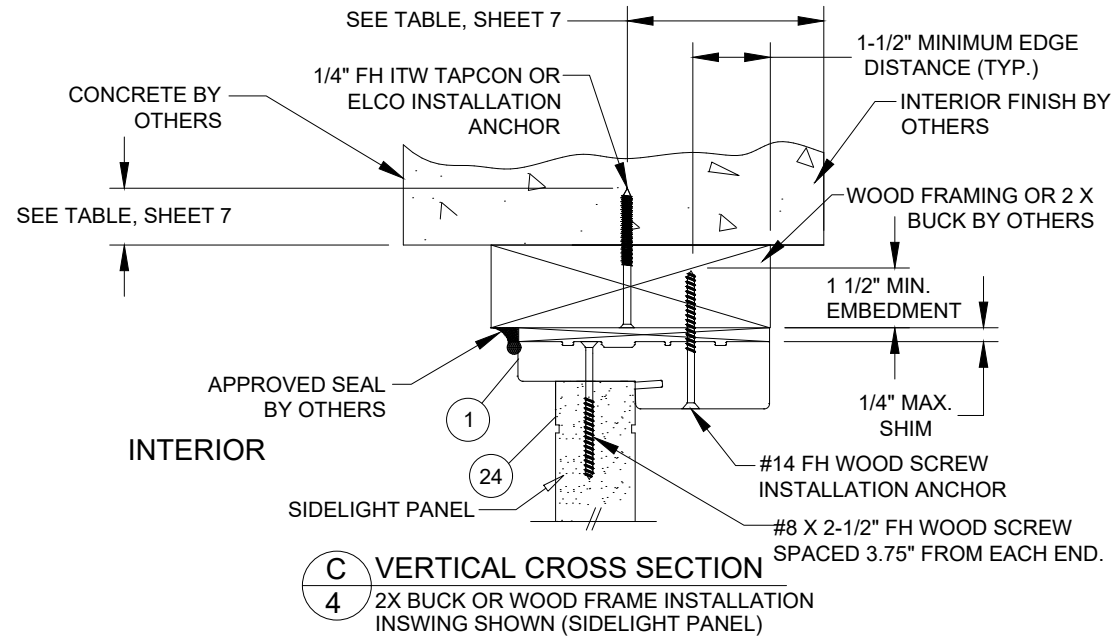
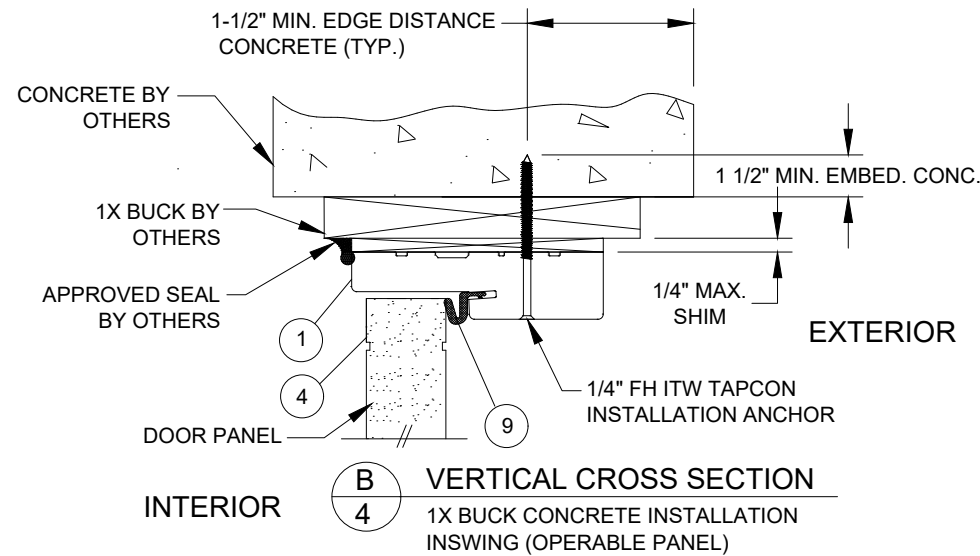
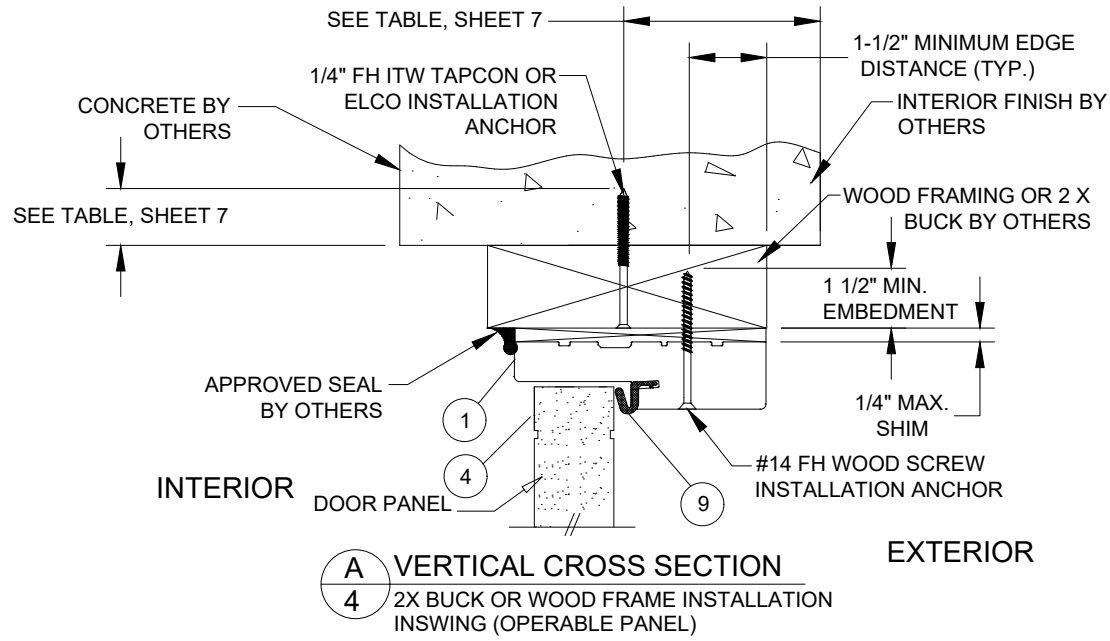
Northeast Building Products Corporation
4280 Aramingo Ave
Philadelphia, PA 19124

SERIES: WinForce I.S. (OX, OXO)
FIBERGLASS ENTRY DOOR
ELEVATION AND D.P. CHART

DRAWN: JRM	DWG NO. NL-0130	REV 1
SCALE NTS	DATE 2/5/2019	SHEET 3 OF 9

734 S CENTER ST.
ORMOND BEACH, FL 32174
RJAENGPE@GMAIL.COM

REVISIONS			
REV	DESCRIPTION	DATE	APPROVED



Northeast Building Products Corporation
4280 Aramingo Ave
Philadelphia, PA 19124

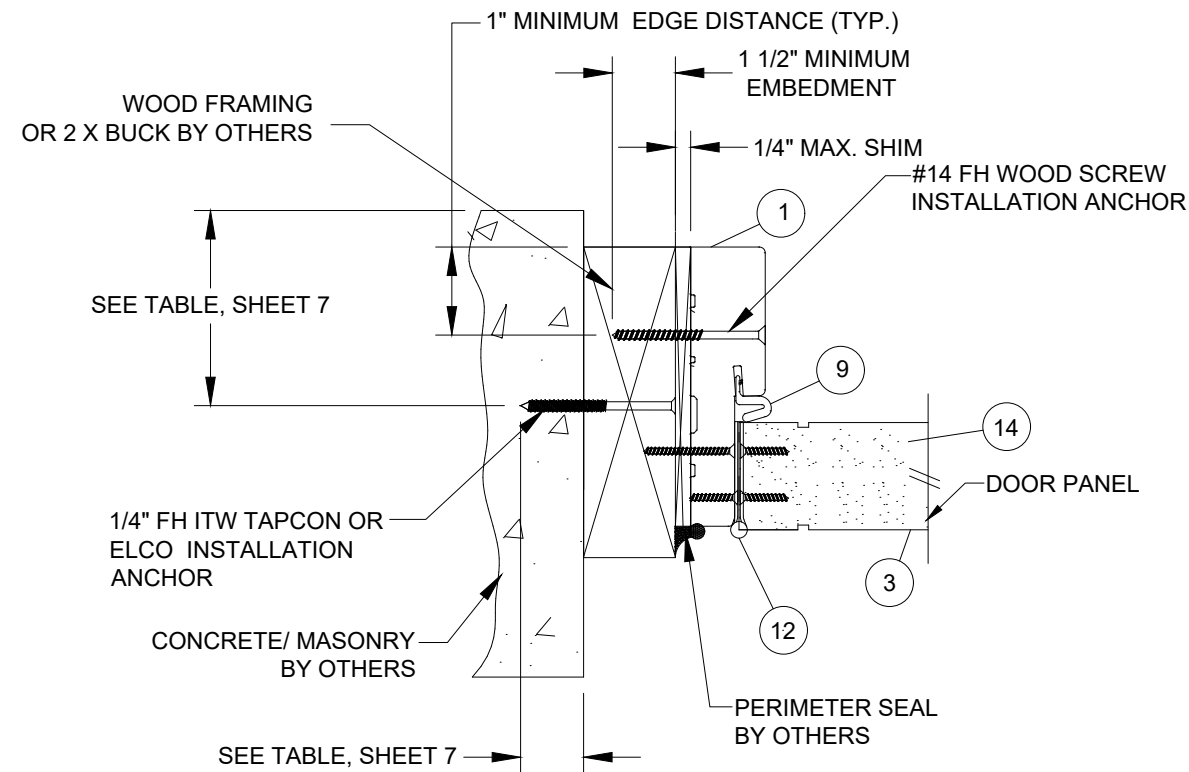
SERIES: WinForce I.S. (OX, OXO)
FIBERGLASS ENTRY DOOR
INSTALLATION DETAILS-CONCRETE

DRAWN: JRM	DWG NO. NL-0130	REV 1
SCALE NTS	DATE 2/5/2019	SHEET 4 OF 9

ROBERT J. AMORUSO
TX P.E. NO. 80817

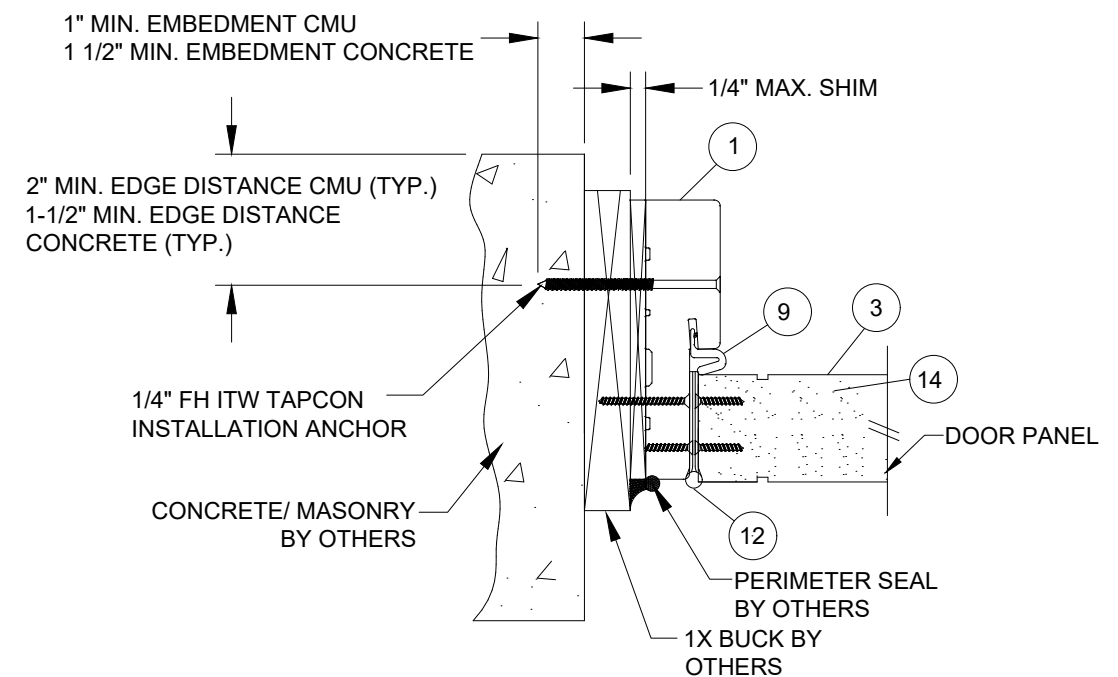
734 S CENTER ST.
ORMOND BEACH, FL 32174
RJAENGPE@GMAIL.COM

REVISIONS			
REV	DESCRIPTION	DATE	APPROVED



K HORIZONTAL CROSS SECTION
5 2X BUCK OR WOOD FRAME INSTALLATION
 INSWING FRAME INSTALLATION

EXTERIOR



L HORIZONTAL CROSS SECTION
5 1X BUCK MASONRY/CONCRETE INSTALLATION
 INSWING FRAME INSTALLATION

INTERIOR

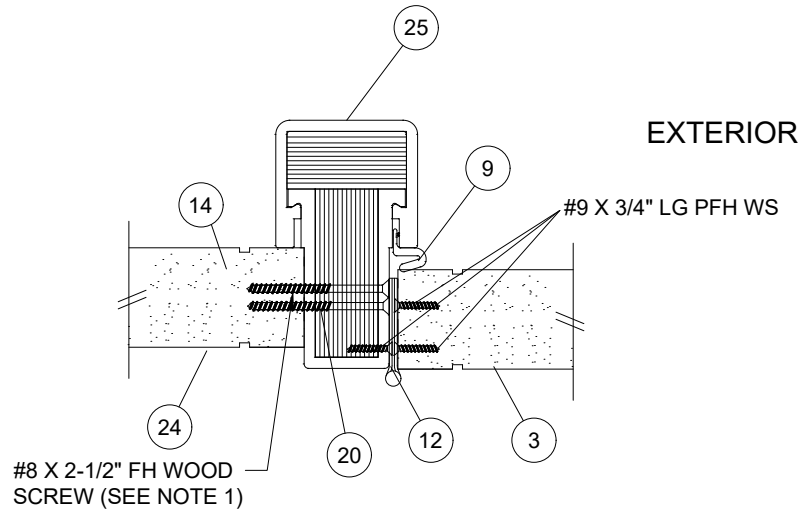
Northeast Building Products Corporation 4280 Aramingo Ave Philadelphia, PA 19124		
SERIES: WinForce I.S. (OX, OX0) FIBERGLASS ENTRY DOOR INSTALLATION DETAILS-CONCRETE/MASONRY		
DRAWN: JRM	DWG NO. NL-0130	REV 1
SCALE NTS	DATE 2/5/2019	SHEET 5 OF 9

ROBERT J. AMORUSO
 TX P.E. NO. 80817

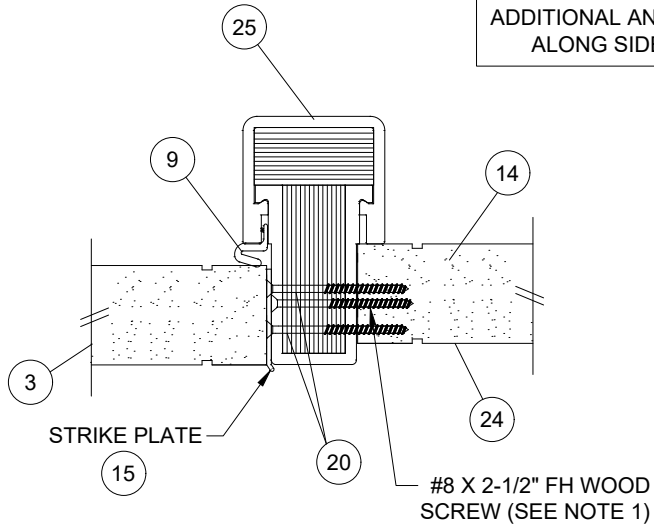
734 S CENTER ST.
 ORMOND BEACH, FL 32174
 RJAENGPE@GMAIL.COM

REVISIONS			
REV	DESCRIPTION	DATE	APPROVED

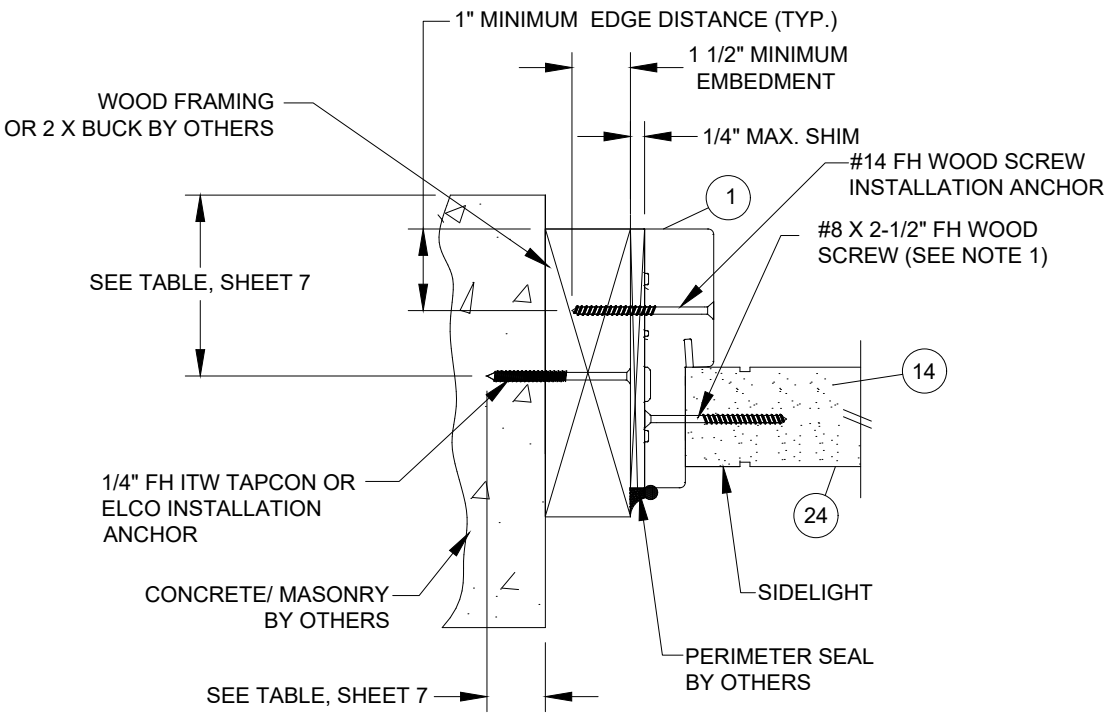
NOTE 1: SPACED 6" FROM ENDS AND 5 ADDITIONAL ANCHORS EQUALLY SPACED ALONG SIDELITE PANEL (7 TOTAL)



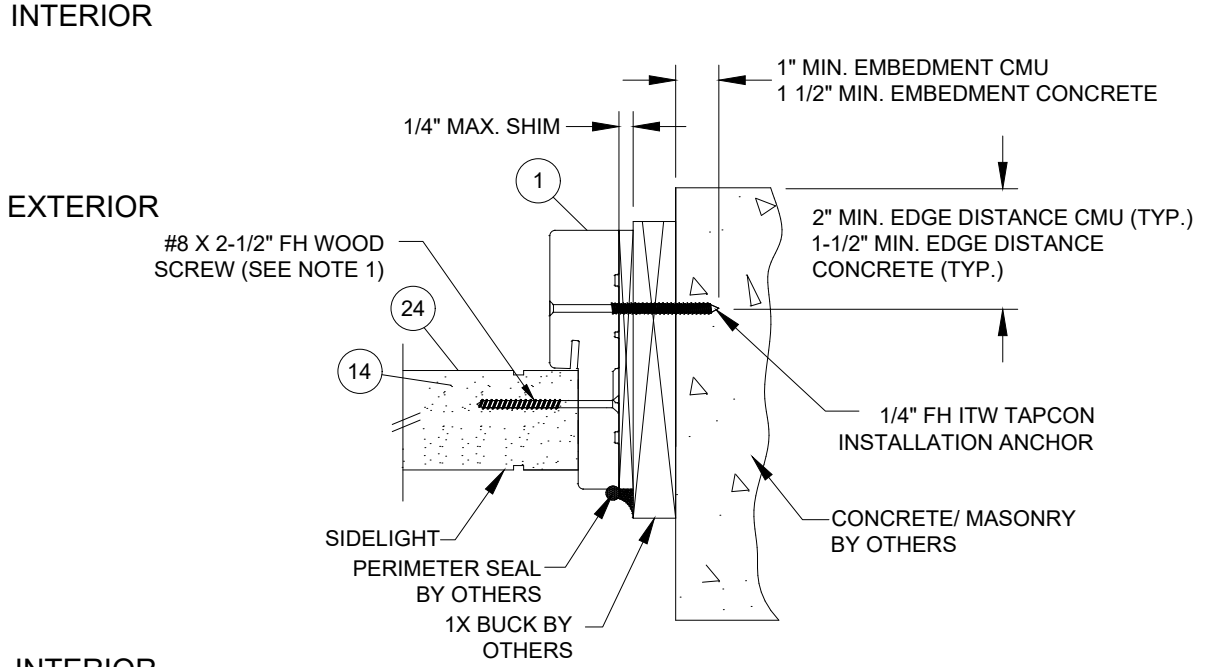
I HORIZONTAL CROSS SECTION
6 INSWING MULLION DETAIL



J HORIZONTAL CROSS SECTION
6 INSWING MULLION DETAIL



G HORIZONTAL CROSS SECTION
6 2X BUCK OR WOOD FRAME INSTALLATION
INSWING FRAME INSTALLATION



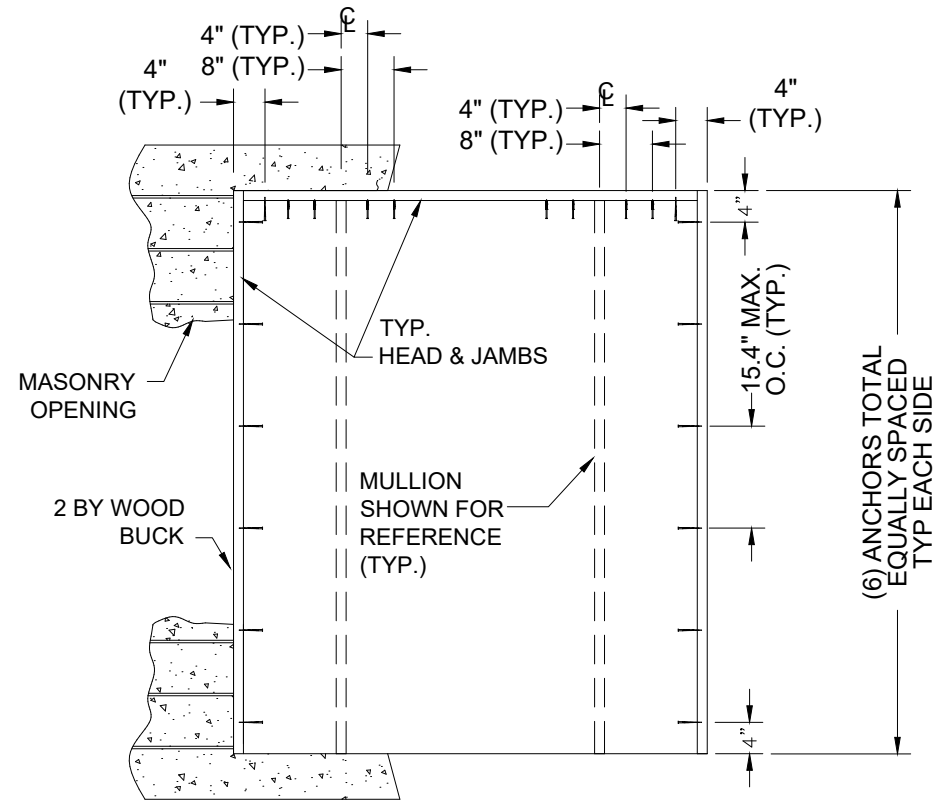
H HORIZONTAL CROSS SECTION
6 1X BUCK MASONRY/CONCRETE INSTALLATION
INSWING FRAME INSTALLATION

Northeast Building Products Corporation 4280 Aramingo Ave Philadelphia, PA 19124		
SERIES: WinForce I.S. (OX, OX0) FIBERGLASS ENTRY DOOR INSTALLATION DETAILS-CONCRETE/MASONRY		
DRAWN: JRM	DWG NO. NL-0130	REV 1
SCALE NTS	DATE 2/5/2019	SHEET 6 OF 9

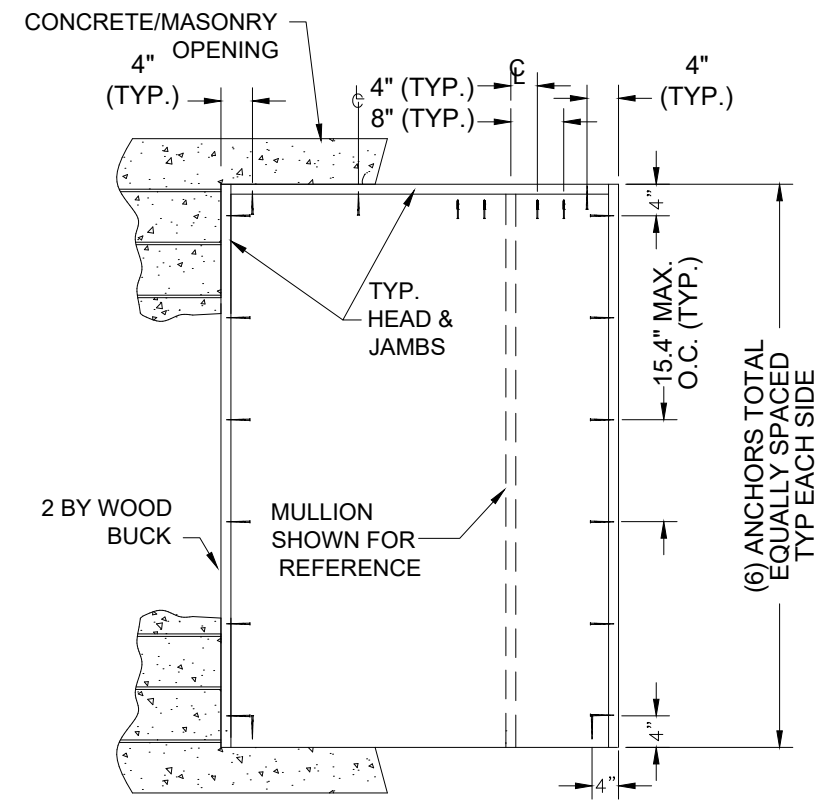
ROBERT J. AMORUSO
TX P.E. NO. 80817

734 S CENTER ST.
ORMOND BEACH, FL 32174
RJAENGPE@GMAIL.COM

REVISIONS			
REV	DESCRIPTION	DATE	APPROVED



WOOD BUCK TO CONCRETE/MASONRY
SUBSTRATE ANCHORING OXO



WOOD BUCK TO CONCRETE/MASONRY
SUBSTRATE ANCHORING XO

CONCRETE ANCHOR NOTES:

1. CONCRETE ANCHOR LOCATIONS AT THE CORNERS MAY BE ADJUSTED TO MAINTAIN THE MIN. EDGE DISTANCE TO THE MAJOR JOINTS.
2. CONCRETE ANCHOR LOCATIONS NOTED AS "MAX. ON CENTER" MUST BE ADJUSTED TO MAINTAIN THE MIN. EDGE DISTANCE TO MORTAR JOINTS, ADDITIONAL CONCRETE ANCHORS MAY BE REQUIRED TO ENSURE THE "MAX ON CENTER" DIMENSION ARE NOT EXCEEDED.
3. SEE CONCRETE ANCHOR TABLE BELOW:

ANCHOR TYPE	ANCHOR SIZE	SUBSTRATE	MIN. EMBED.	MIN. EDGE DIST.	MIN. DIST BETWEEN ANCHOR
ITW TAPCON	1/4"	CONCRETE	1-1/2"	1-1/2"	4"
		MASONRY (CMU)	1"	2"	4"
ELCO ULTRACON		CONCRETE	1-3/4"	1"	4"
		MASONRY (CMU)	1-1/4"	1"	6"

Northeast Building Products Corporation
4280 Aramingo Ave
Philadelphia, PA 19124

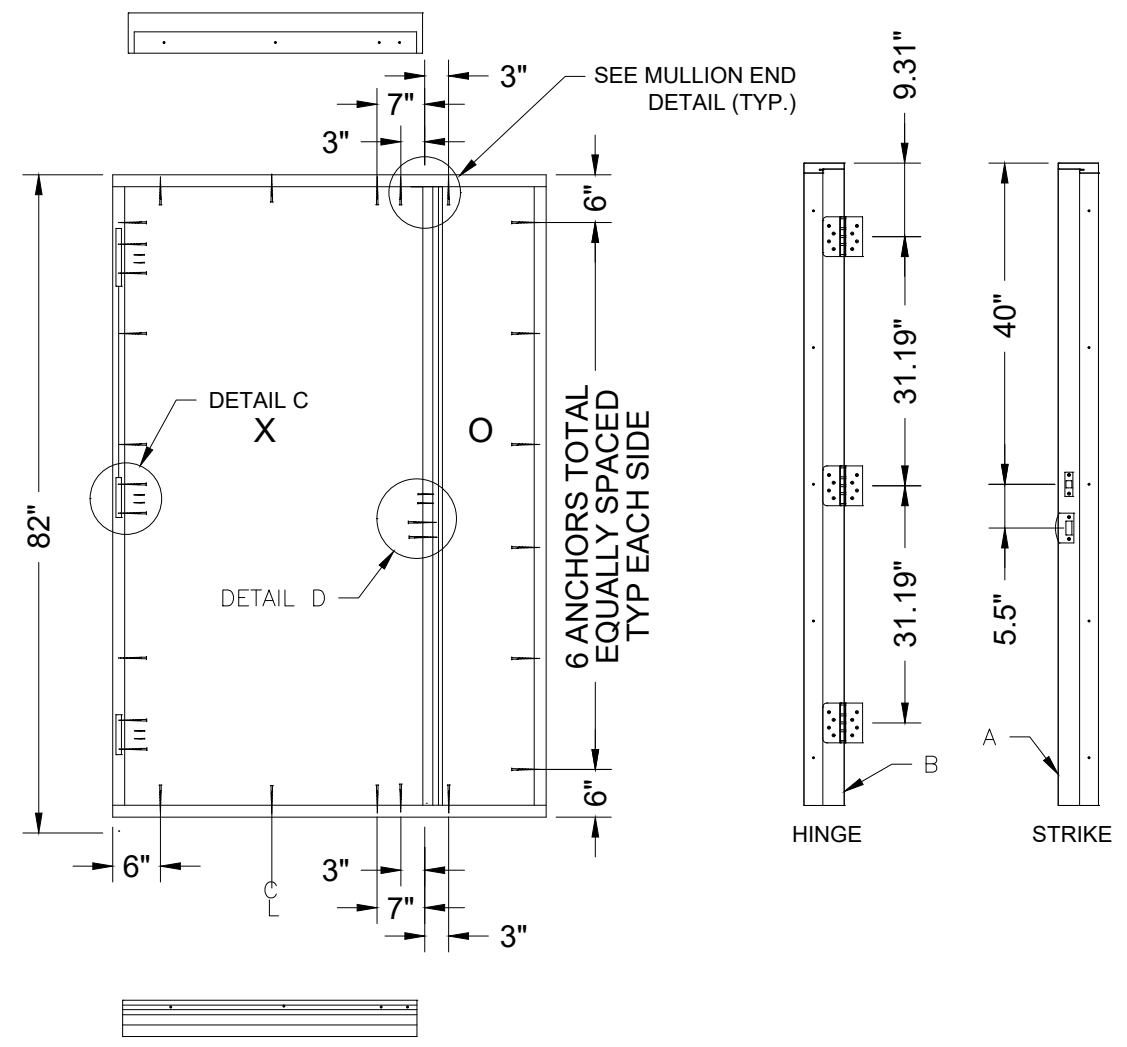
SERIES: WinForce I.S. (OX, XO)
FIBERGLASS ENTRY DOOR
2X BUCK INSTALLATION TO SUBSTRATE

DRAWN: JRM	DWG NO. NL-0130	REV 1
SCALE NTS	DATE 2/5/2019	SHEET 7 OF 9

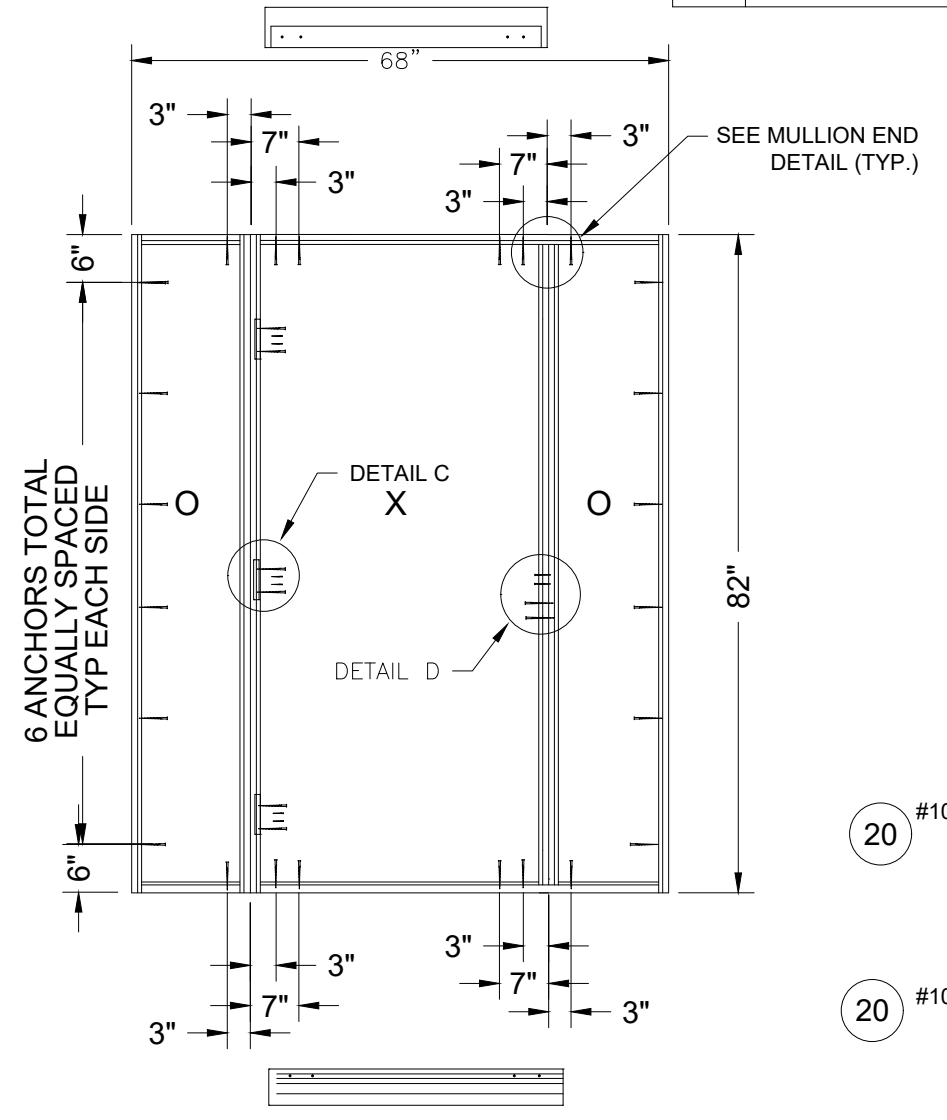
ROBERT J. AMORUSO
TX P.E. NO. 80817

734 S CENTER ST.
ORMOND BEACH, FL 32174
RJAENGPE@GMAIL.COM

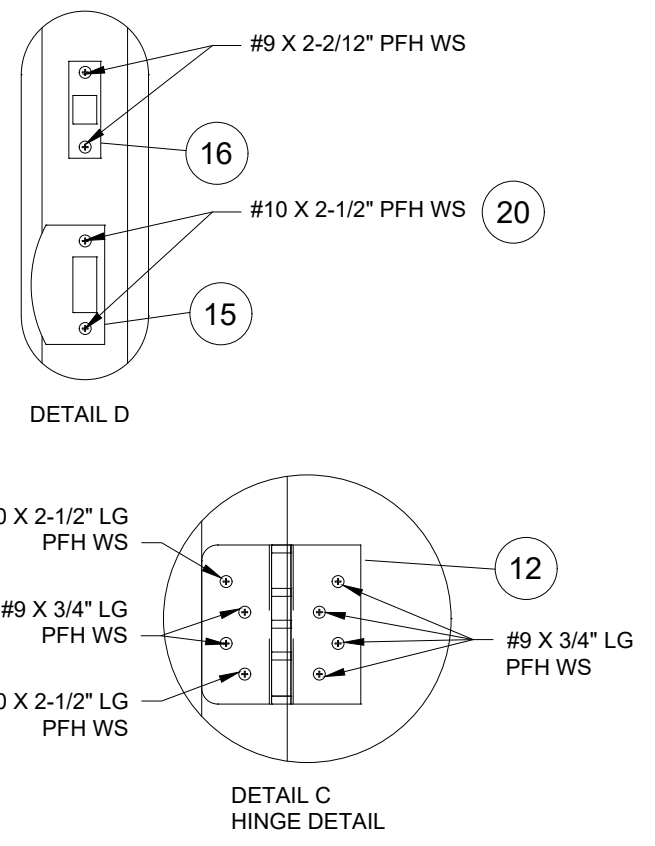
REVISIONS			
REV	DESCRIPTION	DATE	APPROVED



DOOR FRAME TO 2X WOOD BUCK OR
CONCRETE/MASONRY SUBSTRATE
ANCHORING XO



DOOR FRAME TO 2X WOOD BUCK OR
CONCRETE/MASONRY SUBSTRATE
ANCHORING OXO



Northeast Building Products Corporation
4280 Aramingo Ave
Philadelphia, PA 19124

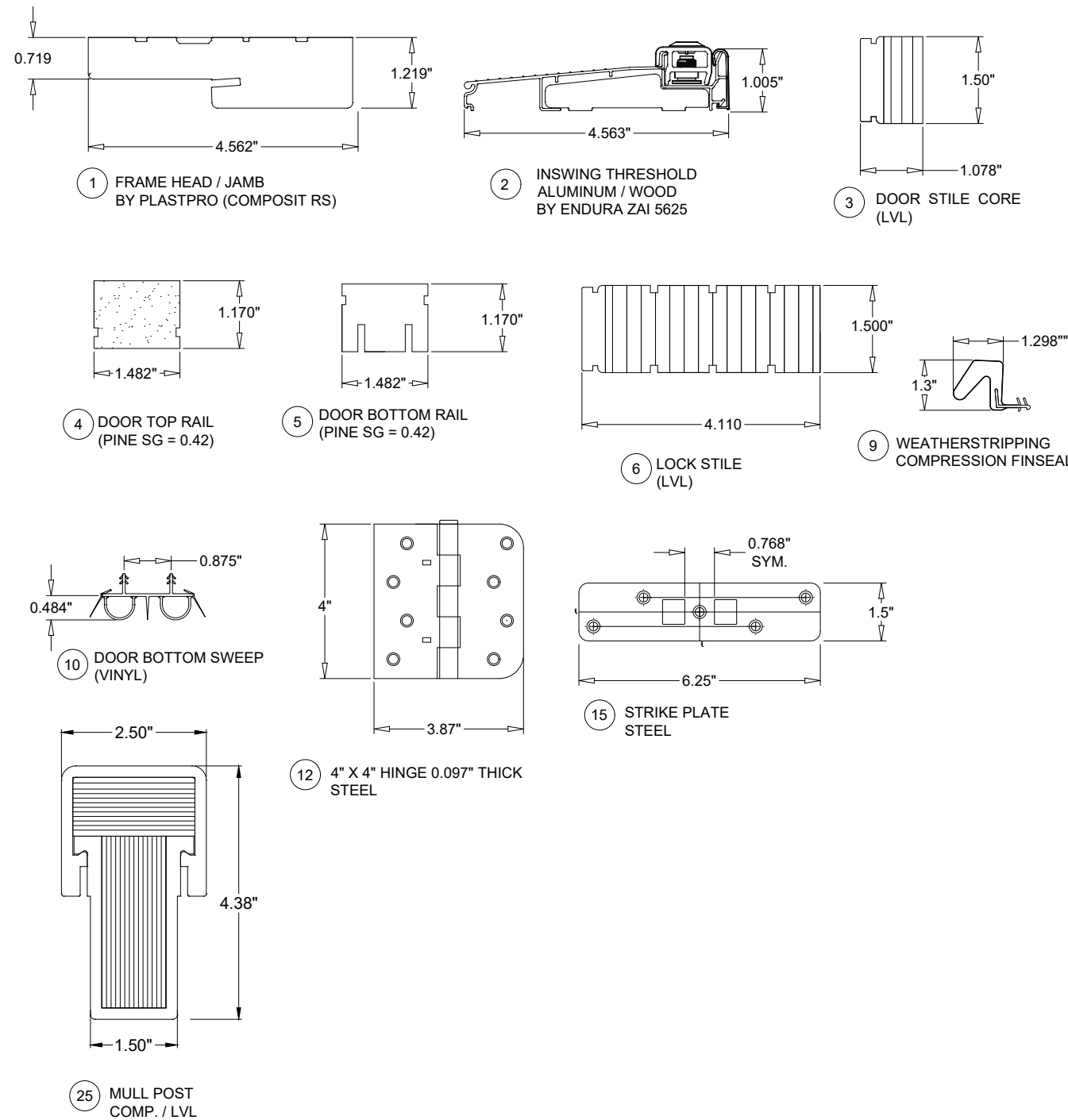
SERIES: WinForce I.S. (OX, OXO)
FIBERGLASS ENTRY DOOR
FRAME ANCHOR LAYOUTS

DRAWN: JRM	DWG NO. NL-0130	REV 1
SCALE NTS	DATE 2/5/2019	SHEET 8 OF 9

ROBERT J. AMORUSO
TX P.E. NO. 80817

734 S CENTER ST.
ORMOND BEACH, FL 32174
RJAENGPE@GMAIL.COM

REVISIONS			
REV	DESCRIPTION	DATE	APPROVED



BILL OF MATERIAL			
ITEM #	DESCRIPTION	QTY.	VENDER
1	POLYFIBER HEAD / JAMB		PLASTPRO
2	INSWING THRESHOLD ZAI5625		ENDURA
3	DOOR STILE - CORE MATERIAL WOOD OR LVL		PLASTPRO
4	DOOR TOP RAIL		PLASTPRO
5	DOOR BOTTOM RAIL		PLASTPRO
6	DOOR LOCK STILE - CORE MATERIAL WOOD OR LVL		PLASTPRO
7	DOOR SKIN (MIN. 0.120" THICK)		PLASTPRO
8	REINFORCEMENT WOOD FOR LOCKS		PLASTPRO
9	COMPRESSION WEATHERSTRIP-FINSEAL		FENSEAL
10	VINYL DOOR BOTTOM SWEEP-DBKAC		DBKAC
11	CORNER PAD		PURCHASE
12	4" X 4" HINGE BUTT		PURCHASE
13	CONTINUOUS LATCH AND HINGE STILE REINFORCEMENT		PURCHASE
14	POLYURETHANE FOAM BY PLASTPRO		PLASTPRO
15	LATCH STRIKE PLATE		KWIKSET
16	DEAD BOLT STRIKE PLATE		KWIKSET
17	KWIKSET KNOB (SIGNATURE SERIES 740)		KWIKSET
18	KWIKSET DEADBOLT (SIGNATURE SERIES 780)		KWIKSET
19	NOT USED		PURCHASE
20	#10 X 2-1/2" PFH WOOD SCREW		PURCHASE
21	#10 X 1-3/4" PFH WOOD SCREW		PURCHASE
22	RSL GLAZING INSERT-PVC FRAME		RSL
23	1/4" PFH I.T.W. ADVANCED THREADFORM CONCRETE SCREW		ITW BUILD.
24	SIDELIGHT PANEL		PLASTPRO
25	MULL POST 4.390" X 2.50" X 1.50" COMPOSITE/LVL		PLASTPRO

Northeast Building Products Corporation
 4280 Aramingo Ave
 Philadelphia, PA 19124

SERIES: WinForce I.S. (OX, OX0)
 FIBERGLASS ENTRY DOOR
 BILL OF MATERIALS & COMPONENTS

DRAWN: JRM	DWG NO. NL-0130	REV 1
SCALE NTS	DATE 2/5/2019	SHEET 9 OF 9

ROBERT J. AMORUSO
 TX P.E. NO. 80817

734 S CENTER ST.
 ORMOND BEACH, FL 32174
 RJAENGPE@GMAIL.COM