

REVISIONS			
REV	DESCRIPTION	DATE	APPROVED
A	REVISED PER NEW CODE	12/20/2021	R.L.

NOTES:

1. THE PRODUCT SHOWN HEREIN IS DESIGNED AND MANUFACTURED TO COMPLY WITH REQUIREMENTS OF THE 2018 IBC AND 2018 IRC.
2. WOOD FRAMING AND MASONRY OPENING TO BE DESIGNED AND ANCHORED TO PROPERLY TRANSFER ALL LOADS TO STRUCTURE. FRAMING AND MASONRY OPENING IS THE RESPONSIBILITY OF THE ARCHITECT OR ENGINEER OF RECORD.
3. 1X BUCK OVER MASONRY/CONCRETE IS OPTIONAL.
4. WHERE SHIM OR BUCK THICKNESS IS LESS THAN 1-1/2" WINDOW UNITS MUST BE ANCHORED THROUGH THE FRAME IN ACCORDANCE WITH MANUFACTURER'S PUBLISHED INSTALLATION INSTRUCTIONS. ANCHORS SHALL BE SECURELY FASTENED DIRECTLY INTO MASONRY, CONCRETE OR OTHER STRUCTURAL SUBSTRATE MATERIAL.
5. WHERE WOOD BUCK THICKNESS IS 1-1/2" OR GREATER, BUCK SHALL BE SECURELY FASTENED TO MASONRY, CONCRETE OR OTHER STRUCTURAL SUBSTRATE. WINDOW UNITS MAY BE ANCHORED THROUGH FRAME TO SECURED WOOD BUCK IN ACCORDANCE WITH MANUFACTURER'S PUBLISHED INSTALLATION INSTRUCTIONS.
6. WHERE 1X BUCK IS NOT USED DISSIMILAR MATERIALS MUST BE SEPARATED WITH APPROVED COATING OR MEMBRANE. SELECTION OF COATING OR MEMBRANE IS THE RESPONSIBILITY OF THE ARCHITECT OR ENGINEER OF RECORD.
7. BUCKS SHALL EXTEND BEYOND WINDOW INTERIOR FACE SO THAT FULL FRAME SUPPORT IS PROVIDED.
8. SHIM AS REQUIRED AT EACH ANCHOR LOCATION WITH LOAD BEARING SHIM. SHIM WHERE SPACE OF 1/16" OR GREATER OCCURS. MAXIMUM ALLOWABLE SHIM STACK TO BE 1/4".
9. SHIMS SHALL BE LOCATED, APPLIED AND MADE FROM MATERIALS AND THICKNESS CAPABLE OF SUSTAINING APPLICABLE LOADS.
10. WIND LOAD DURATION FACTOR Cd=1.6 WAS USED FOR WOOD ANCHOR CALCULATIONS.
11. FRAME MATERIAL: CO-EXTRUDED PVC FOAM.
12. UNITS MUST BE GLAZED PER ASTM E1300, SEE SHEET 2 FOR GLASS DETAILS.
13. APPROVED IMPACT PROTECTIVE SYSTEM IS NOT REQUIRED FOR THIS PRODUCT IN WIND BORNE DEBRIS REGIONS.
14. FOR ANCHORING INTO WOOD FRAMING OR 2X BUCK USE #10 WOOD SCREWS WITH SUFFICIENT LENGTH TO ACHIEVE A 1 1/4" MINIMUM EMBEDMENT INTO SUBSTRATE. LOCATE ANCHORS AS SHOWN IN ELEVATIONS AND INSTALLATION DETAILS.

15. FOR ANCHORING INTO MASONRY/CONCRETE USE 1/4" TAPCONS WITH SUFFICIENT LENGTH TO ACHIEVE A 1 1/4" MINIMUM EMBEDMENT INTO SUBSTRATE WITH 2" MINIMUM EDGE DISTANCE. LOCATE ANCHORS AS SHOWN IN ELEVATIONS AND INSTALLATION DETAILS.
16. FOR ANCHORING INTO METAL STRUCTURE USE #10 SMS OR SELF DRILLING SCREWS WITH SUFFICIENT LENGTH TO ACHIEVE 3 THREADS MINIMUM BEYOND STRUCTURE INTERIOR WALL. LOCATE ANCHORS AS SHOWN IN ELEVATIONS AND INSTALLATION DETAILS.
17. ALL FASTENERS TO BE CORROSION RESISTANT.
18. INSTALLATION ANCHORS SHALL BE INSTALLED IN ACCORDANCE WITH ANCHOR MANUFACTURER'S INSTALLATION INSTRUCTIONS AND ANCHORS SHALL NOT BE USED IN SUBSTRATES WITH STRENGTHS LESS THAN THE MINIMUM STRENGTH SPECIFIED BELOW:
 - A. WOOD - MINIMUM SPECIFIC GRAVITY OF G=0.42
 - B. CONCRETE - MINIMUM COMPRESSIVE STRENGTH OF 3,192 PSI.
 - C. MASONRY - STRENGTH CONFORMANCE TO ASTM C-90, GRADE N, TYPE 1 (OR GREATER).
 - D. METAL STRUCTURE: STEEL 18GA, 33KSI OR ALUMINUM 6063-T5 1/8" THICK MINIMUM
19. APPROVED CONFIGURATIONS: X, X/O, O/X, OX, XO, OX/O, XO/O, XX, XX/O, O/XX, OXX, XXO, OXX/O AND O/XXO, SEE SHEET 3.
20. SIDELITES ARE ASSEMBLED TO FRAME WITH #10 X 3" WOOD SCREWS LOCATED 4" FROM EACH END AND 23 1/8" MAX O.C. THEREAFTER AT JAMBS AND 4" FROM EACH END AND ONE AT MIDSPAN AT HEAD AND SILL.

TABLE OF CONTENTS	
SHEET NO.	DESCRIPTION
1	NOTES
2	ELEVATION AND GLAZING DETAIL
3	APPROVED CONFIGURATIONS
4 - 5	ANCHORING LAYOUTS
6 - 12	INSTALLATION DETAILS
13 - 14	COMPONENTS

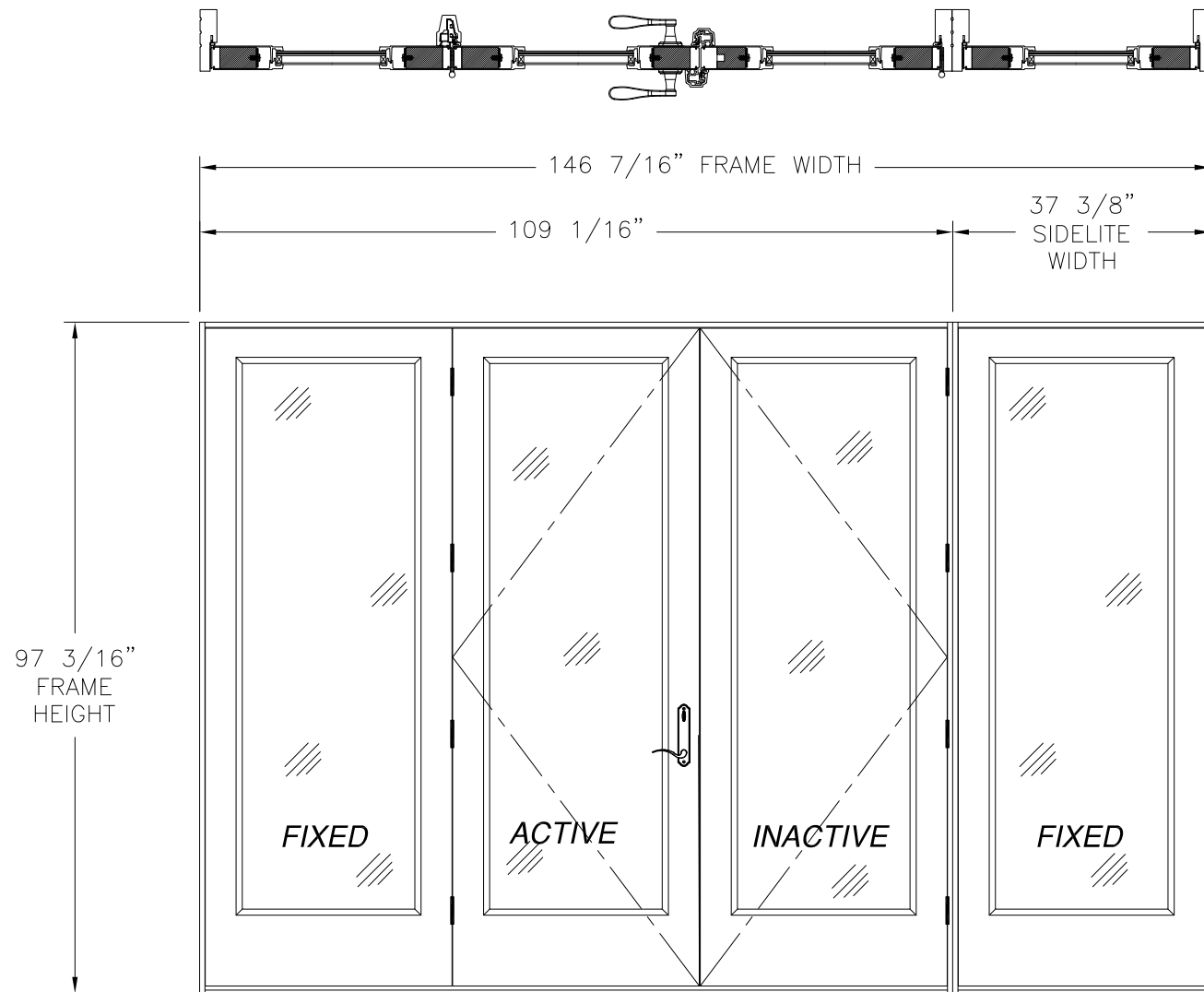
NAN YA PLASTICS CORP. USA 8989 NORTH LOOP EAST HOUSTON, TX 77029		
SLPS PATIO DOOR LITE 8'0 OUTSWING LARGE MISSILE IMPACT NOTES		
DRAWN: A.R.	DWG NO. 08-03341	REV A
SCALE NTS	DATE 10/25/18	SHEET 1 OF 14
L. ROBERTO LOMAS P.E. 1432 WOODFORD RD LEWISVILLE, NC 27023 434-688-0609 rllomas@rlomaspe.com		

SIGNED: 12/20/2021



Luis R. Lomas P.E.
 TX No.: 101889
 Firm No: F-23130

REVISIONS			
REV	DESCRIPTION	DATE	APPROVED
A	REVISED PER NEW CODE	12/20/2021	R.L.

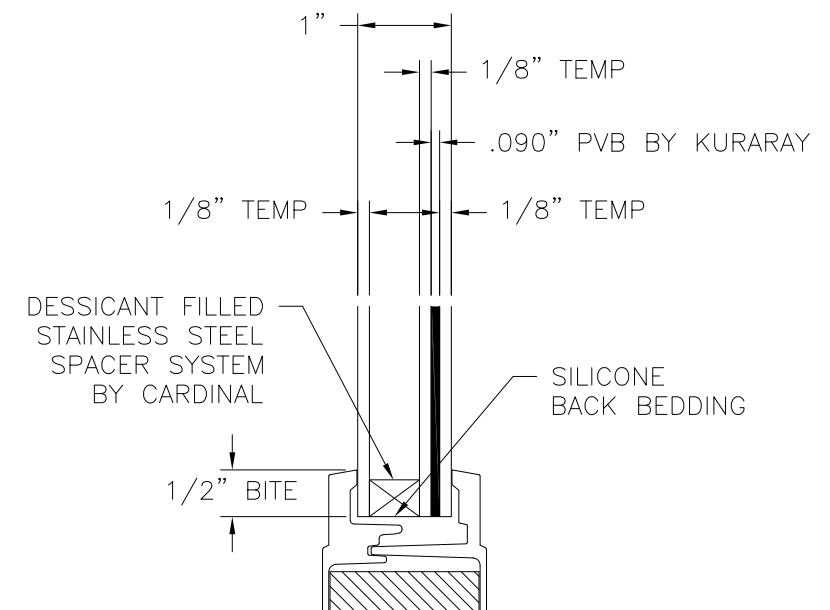


SLPS PATIO DOOR LITE 8'0" OUTSWING
EXTERIOR VIEW

DESIGN PRESSURE RATING	IMPACT RATING
±50.0PSF	LARGE AND SMALL MISSILE IMPACT

MISSILE LEVEL D, WIND ZONE 4

- NOTES:
1. PANEL SIZE: 35 3/4" X 95 1/4"
2. D.L.O.: 25" X 79"



GLAZING DETAIL

HARDWARE SCHEDULE

A.	HANDLE SETS AT ACTIVE PANEL
B.	STAINLESS STEEL FLUSH BOLT BAR WITH KEEPER AT PASSIVE PANEL
C.	FLUSH BOLT MECHANISM (DIE CAST, STEEL, POM) AT PASSIVE PANEL
D.	STAINLESS STEEL MULTI-POINT LOCK WITH KEEPERS AT 8 3/8", 51 3/4" AND 90 1/8" FROM FRAME HEAD
E.	T ASTRAGAL AT ACTIVE AND PASSIVE PANELS
F.	(4) 4X4 DOOR HINGE, 5 3/4", 31 1/4", 56 3/4" & 82 1/4" FROM FRAME HEAD AT STILE OF ACTIVE AND PASSIVE PANEL
G.	ALUMINUM REINFORCEMENT (A) AT ASTRAGAL
H.	ALUMINUM MULLION REINFORCEMENT (B) AT INTEGRAL MULLION

SIGNED: 12/20/2021

NAN YA PLASTICS CORP. USA
8989 NORTH LOOP EAST
HOUSTON, TX 77029

SLPS PATIO DOOR LITE 8'0" OUTSWING
LARGE MISSILE IMPACT
ELEVATIONS AND GLAZING DETAILS

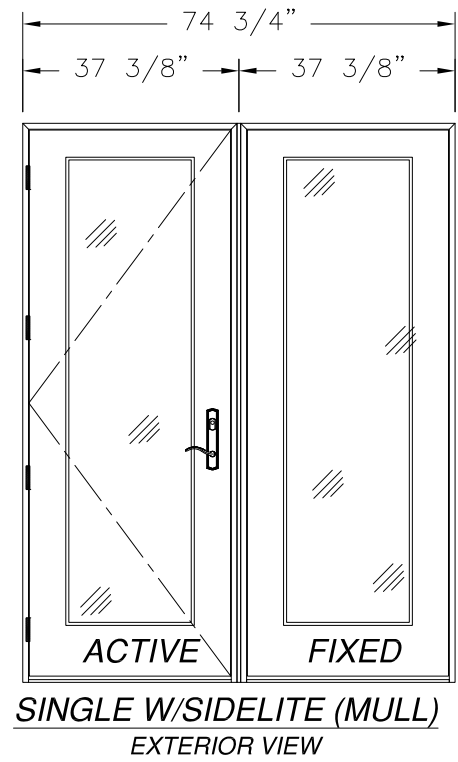
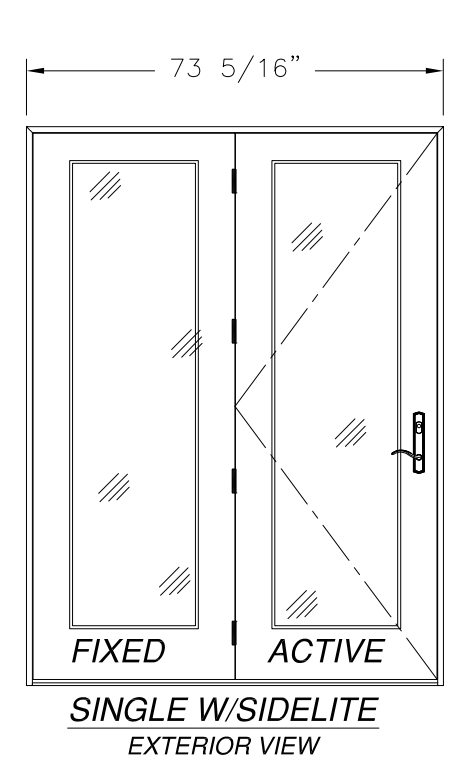
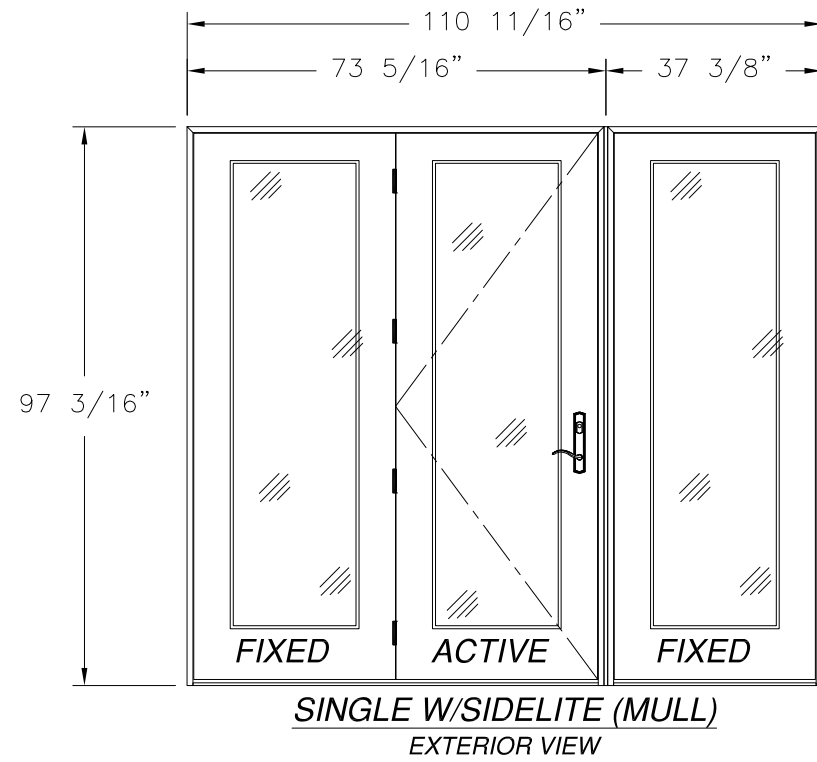
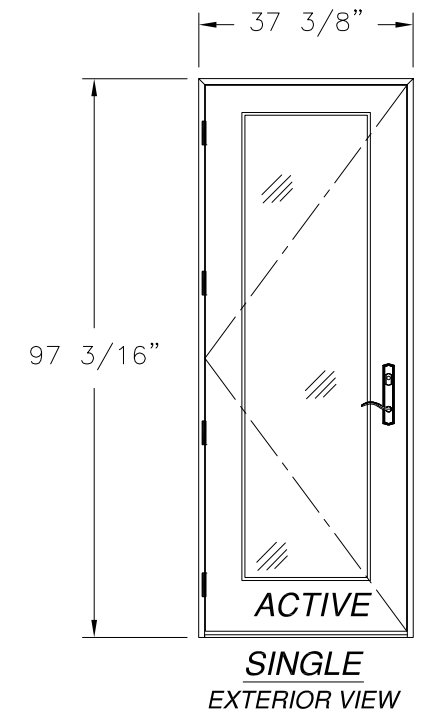
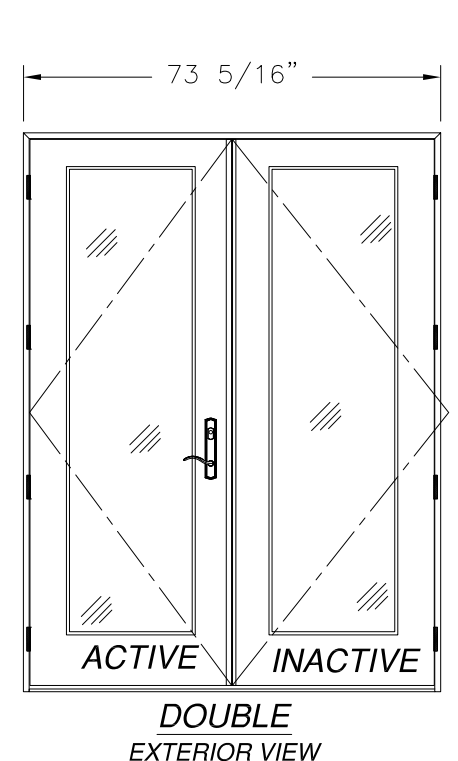
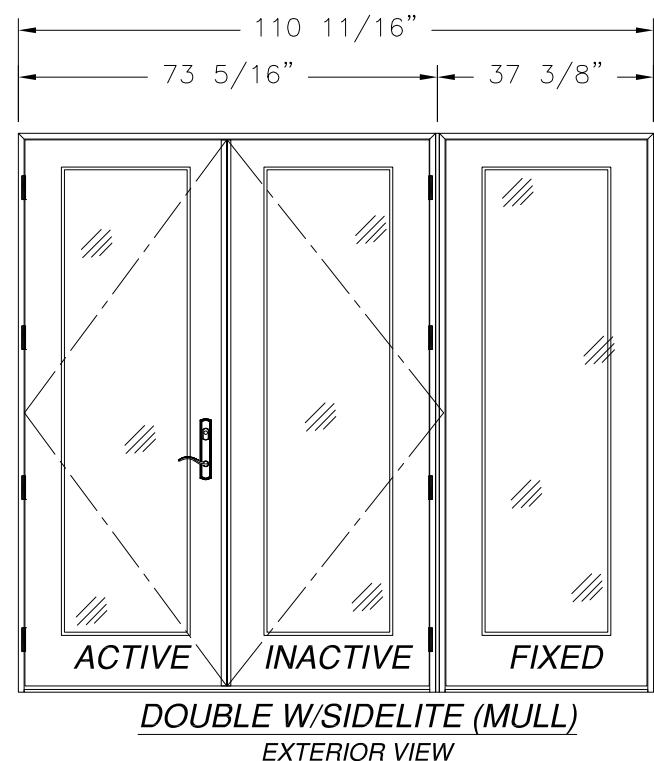
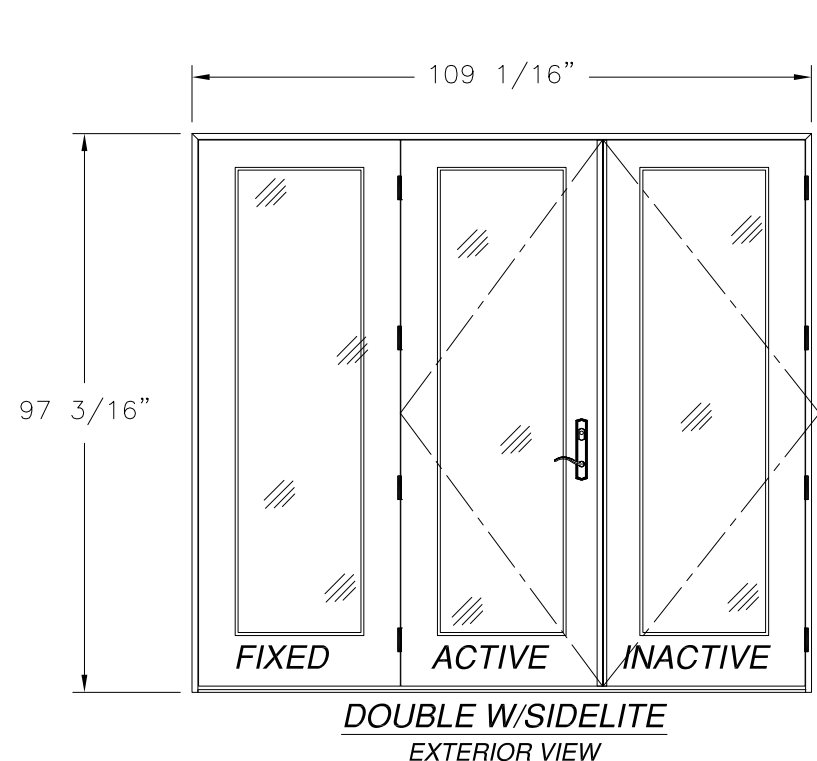
DRAWN: A.R.	DWG NO. 08-03341	REV A
SCALE NTS	DATE 10/25/18	SHEET 2 OF 14

L. ROBERTO LOMAS P.E.
1432 WOODFORD RD LEWISVILLE, NC 27023
434-688-0609 rllomas@rlomaspe.com



Luis R. Lomas P.E.
TX No.: 101889
Firm No: F-23130

REVISIONS			
REV	DESCRIPTION	DATE	APPROVED
A	REVISED PER NEW CODE	12/20/2021	R.L.



NOTE:
ALL APPROVED CONFIGURATIONS ARE SHOWN AS LEFT
HAND ACTIVE, RIGHT HAND ACTIVE IS ALSO APPROVED.

SIGNED: 12/20/2021

NAN YA PLASTICS CORP. USA
8989 NORTH LOOP EAST
HOUSTON, TX 77029

SLPS PATIO DOOR LITE 8'0 OUTSWING
LARGE MISSILE IMPACT
APPROVED CONFIGURATIONS

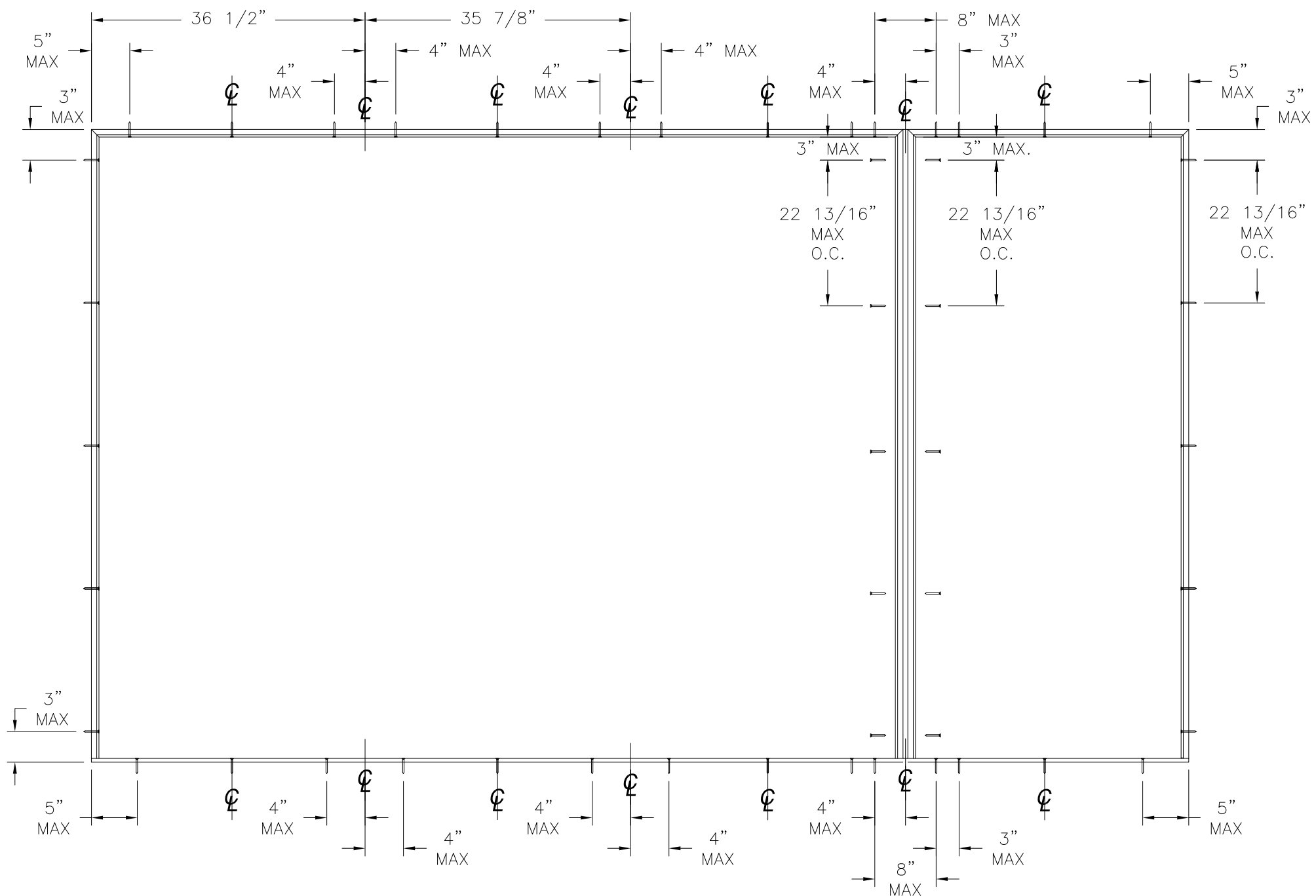
DRAWN: A.R.	DWG NO. 08-03341	REV A
SCALE NTS	DATE 10/25/18	SHEET 3 OF 14

L. ROBERTO LOMAS P.E.
1432 WOODFORD RD LEWISVILLE, NC 27023
434-688-0609 rllomas@rlomaspe.com



Luis R. Lomas P.E.
TX No.: 101889
Firm No: F-23130

REVISIONS			
REV	DESCRIPTION	DATE	APPROVED
A	REVISED PER NEW CODE	12/20/2021	R.L.



ANCHORING LAYOUT

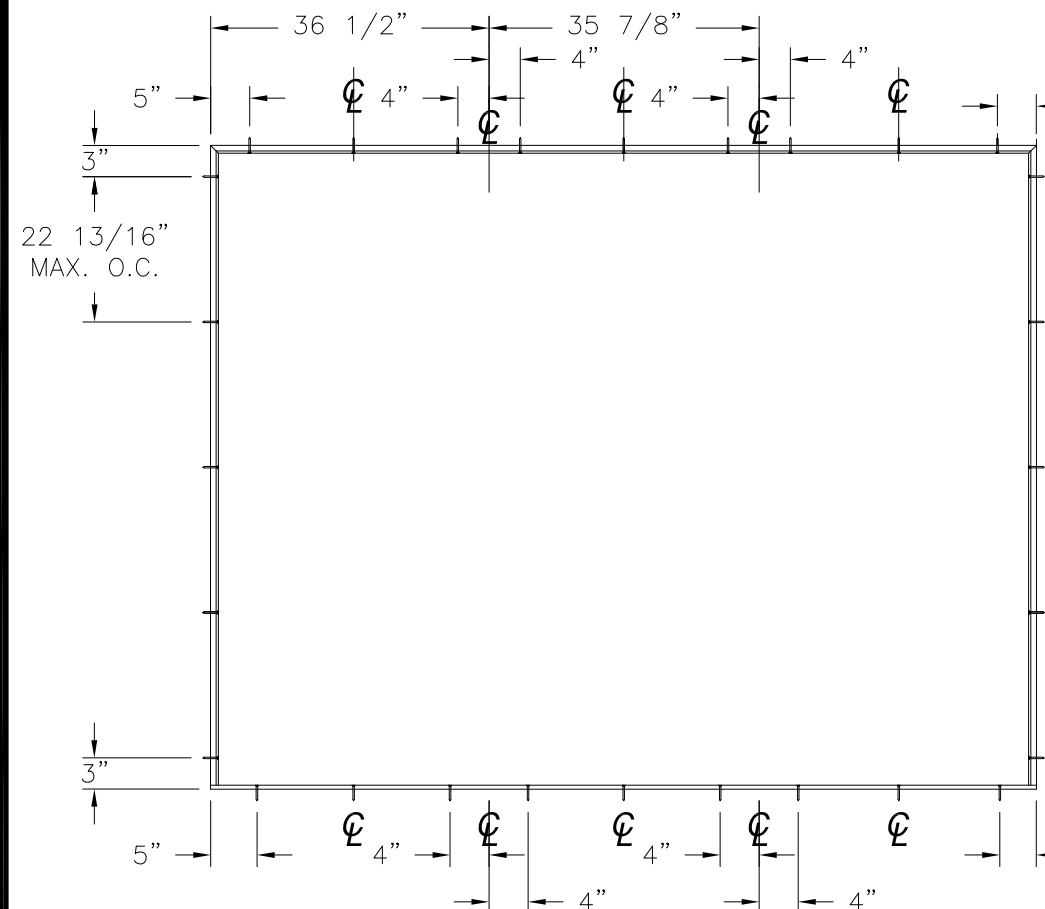
SIGNED: 12/20/2021

<p>NAN YA PLASTICS CORP. USA 8989 NORTH LOOP EAST HOUSTON, TX 77029</p>		
<p>SLPS PATIO DOOR LITE 8'0 OUTSWING LARGE MISSILE IMPACT ANCHORING LAYOUTS</p>		
<p>DRAWN: A.R.</p>	<p>DWG NO. 08-03341</p>	<p>REV A</p>
<p>SCALE NTS</p>	<p>DATE 10/25/18</p>	<p>SHEET 4 OF 14</p>
<p>L. ROBERTO LOMAS P.E. 1432 WOODFORD RD LEWISVILLE, NC 27023 434-688-0609 rllomas@rlomaspe.com</p>		

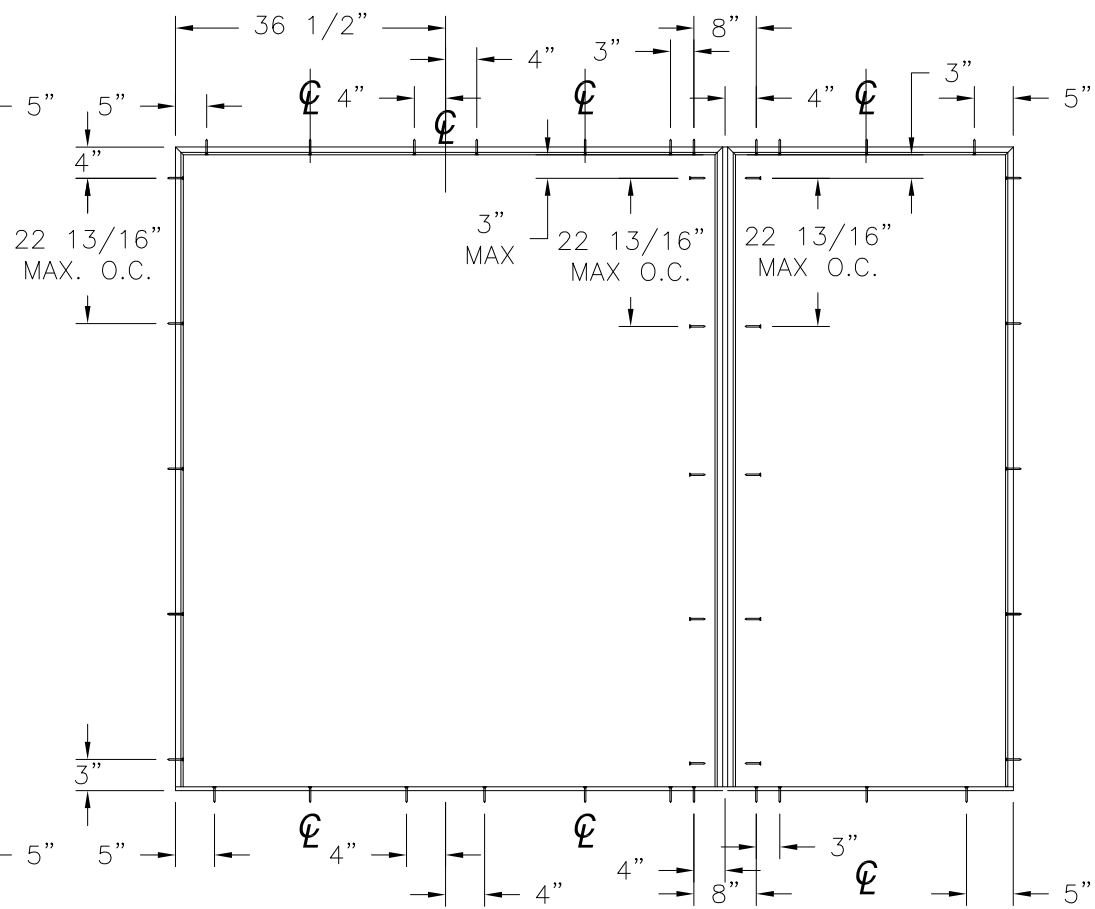


Luis R. Lomas P.E.
TX No.: 101889
Firm No: F-23130

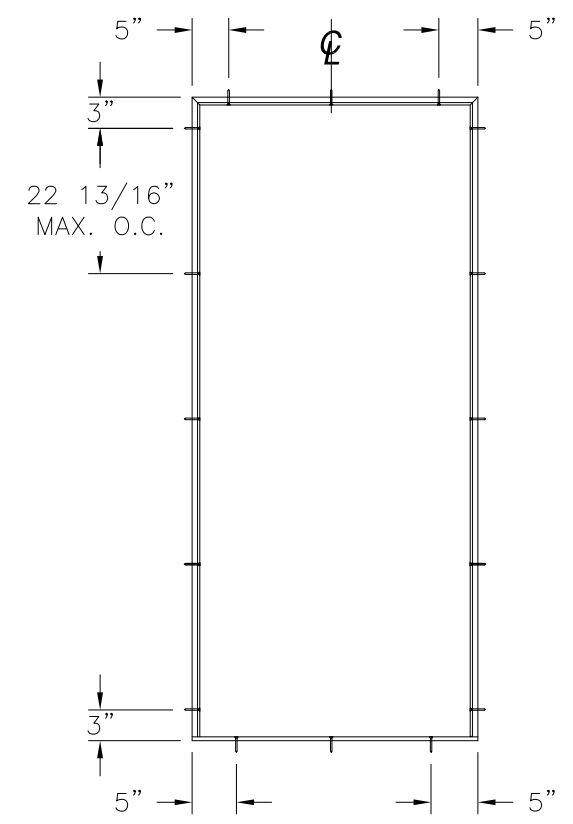
REVISIONS			
REV	DESCRIPTION	DATE	APPROVED
A	REVISED PER NEW CODE	12/20/2021	R.L.



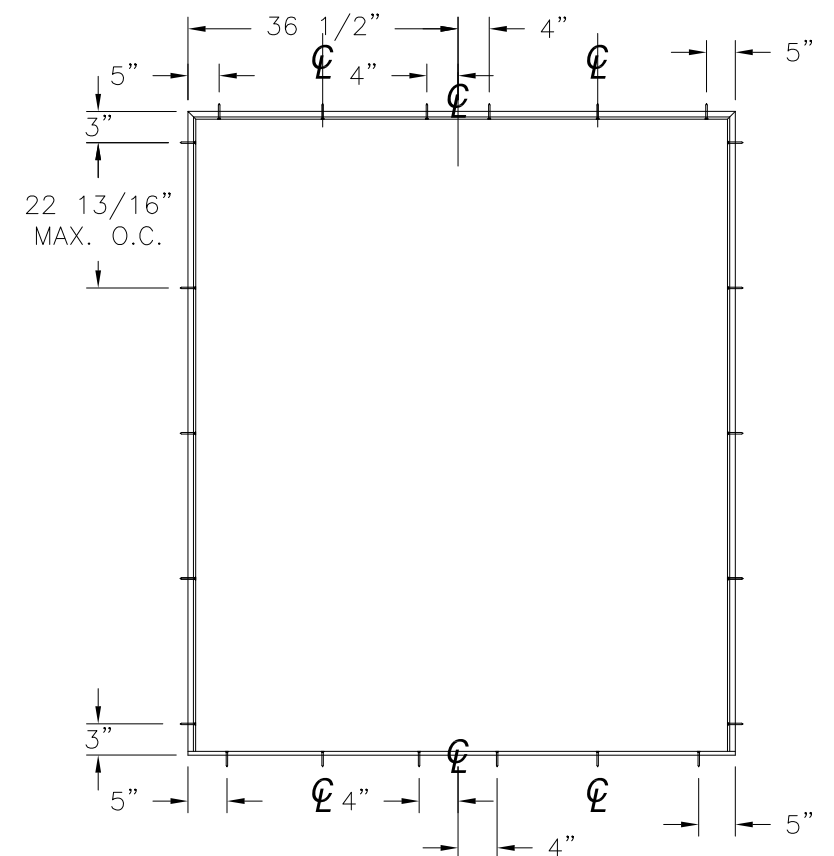
ANCHORING LAYOUT FOR OXO, XXO AND OXX



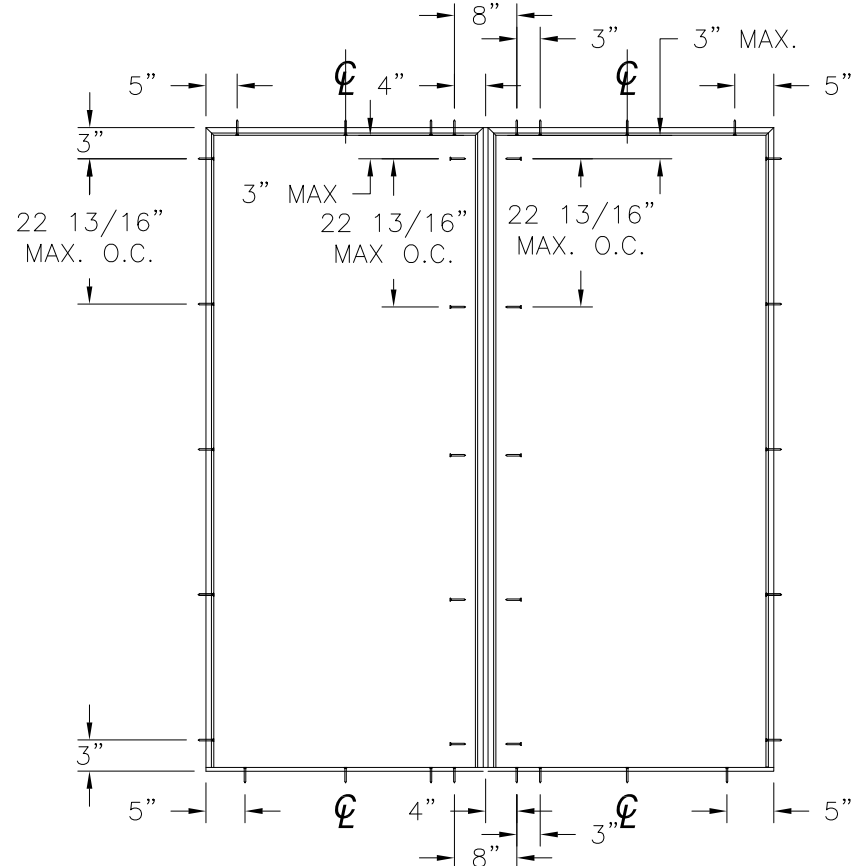
ANCHORING LAYOUT FOR OXO, XXO AND OXX (MULL)



ANCHORING LAYOUT FOR X



ANCHORING LAYOUT FOR XX, OX AND XO



ANCHORING LAYOUT FOR OX AND XO (MULL)

NAN YA PLASTICS CORP. USA
 8989 NORTH LOOP EAST
 HOUSTON, TX 77029

SLPS PATIO DOOR LITE 8'0 OUTSWING
 LARGE MISSILE IMPACT
 ANCHORING LAYOUTS

DRAWN: A.R.	DWG NO. 08-03341	REV A
SCALE NTS	DATE 10/25/18	SHEET 5 OF 14

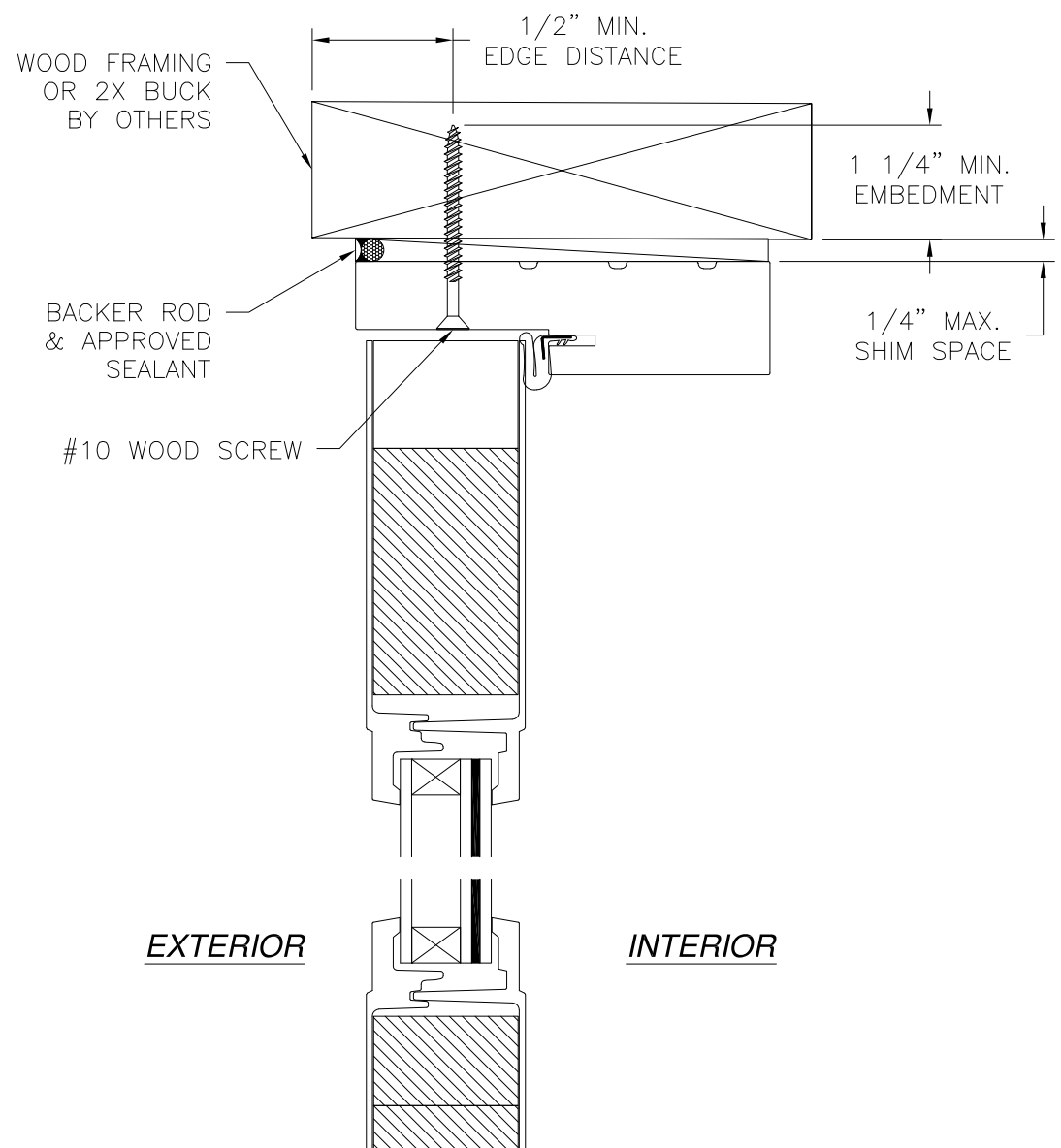
L. ROBERTO LOMAS P.E.
 1432 WOODFORD RD LEWISVILLE, NC 27023
 434-688-0609 rllomas@rlomaspe.com

SIGNED: 12/20/2021

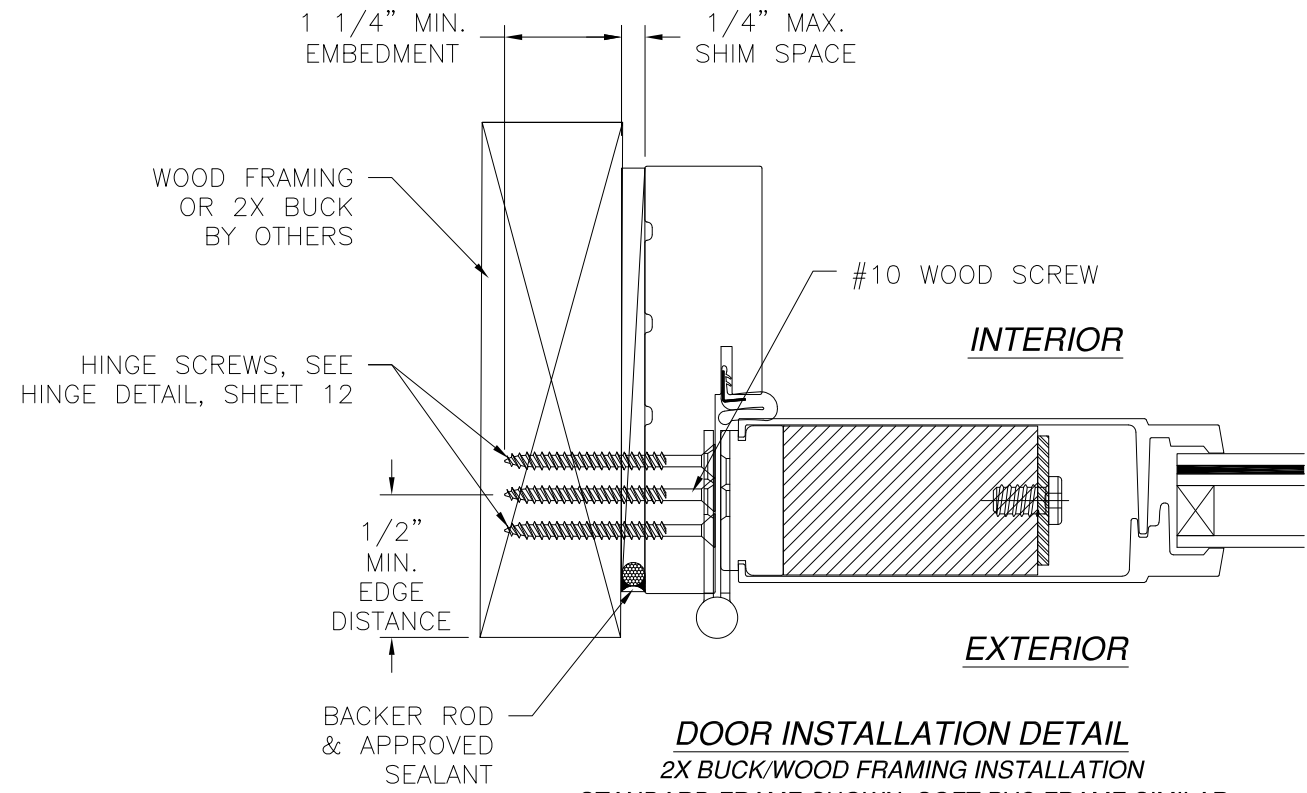


Luis R. Lomas P.E.
 TX No.: 101889
 Firm No: F-23130

REVISIONS			
REV	DESCRIPTION	DATE	APPROVED
A	REVISED PER NEW CODE	12/20/2021	R.L.



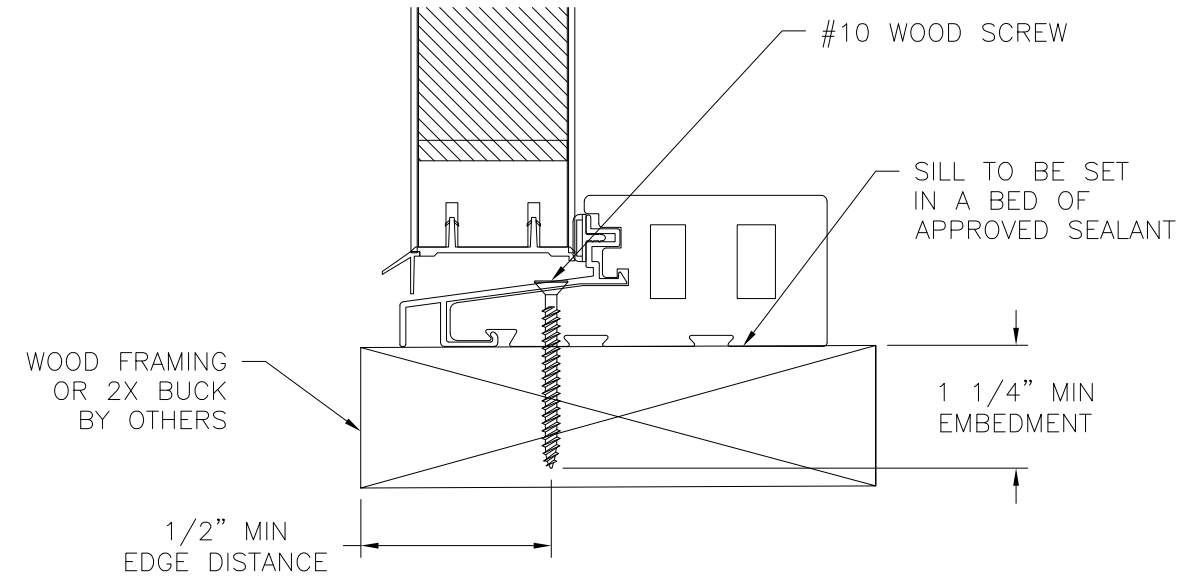
EXTERIOR **INTERIOR**



DOOR INSTALLATION DETAIL
 2X BUCK/WOOD FRAMING INSTALLATION
 STANDARD FRAME SHOWN, SOFT PVC FRAME SIMILAR

- NOTES:**
1. INTERIOR AND EXTERIOR FINISHES, BY OTHERS, NOT SHOWN FOR CLARITY.
 2. PERIMETER AND JOINT SEALANT BY OTHERS TO BE DESIGNED IN ACCORDANCE WITH ASTM E2112

SIGNED: 12/20/2021



DOOR INSTALLATION DETAIL
 2X BUCK/WOOD FRAMING INSTALLATION
 STANDARD FRAME SHOWN, SOFT PVC FRAME SIMILAR

NAN YA PLASTICS CORP. USA
 8989 NORTH LOOP EAST
 HOUSTON, TX 77029

SLPS PATIO DOOR LITE 8'0 OUTSWING
 LARGE MISSILE IMPACT
 DOOR INSTALLATION DETAILS

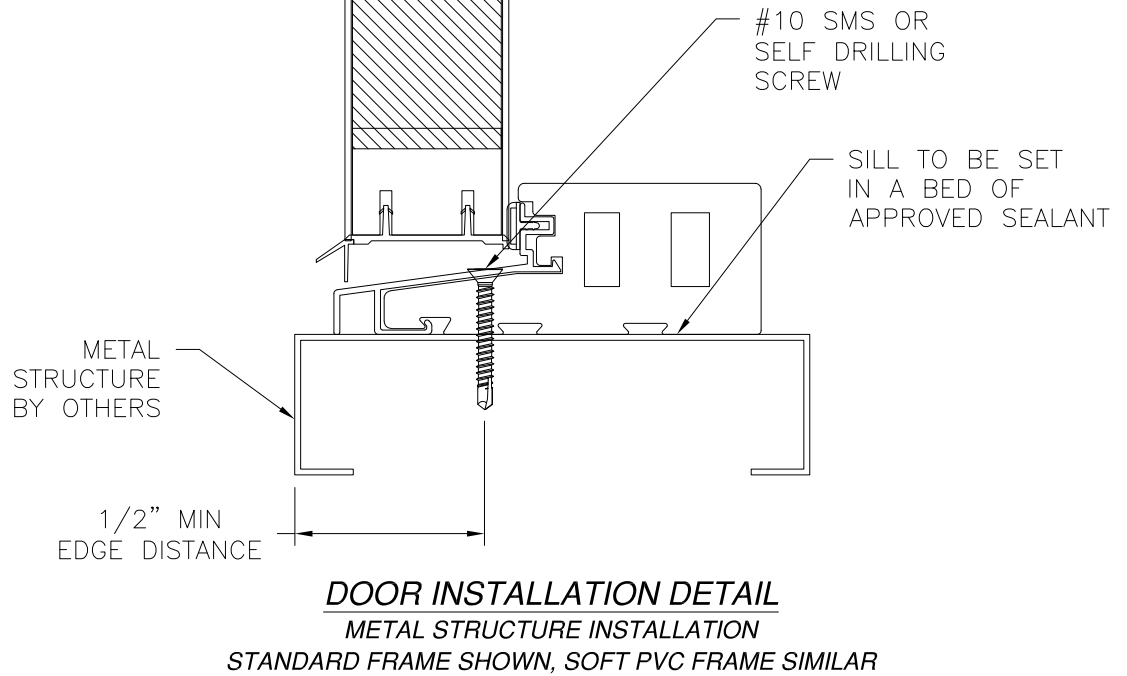
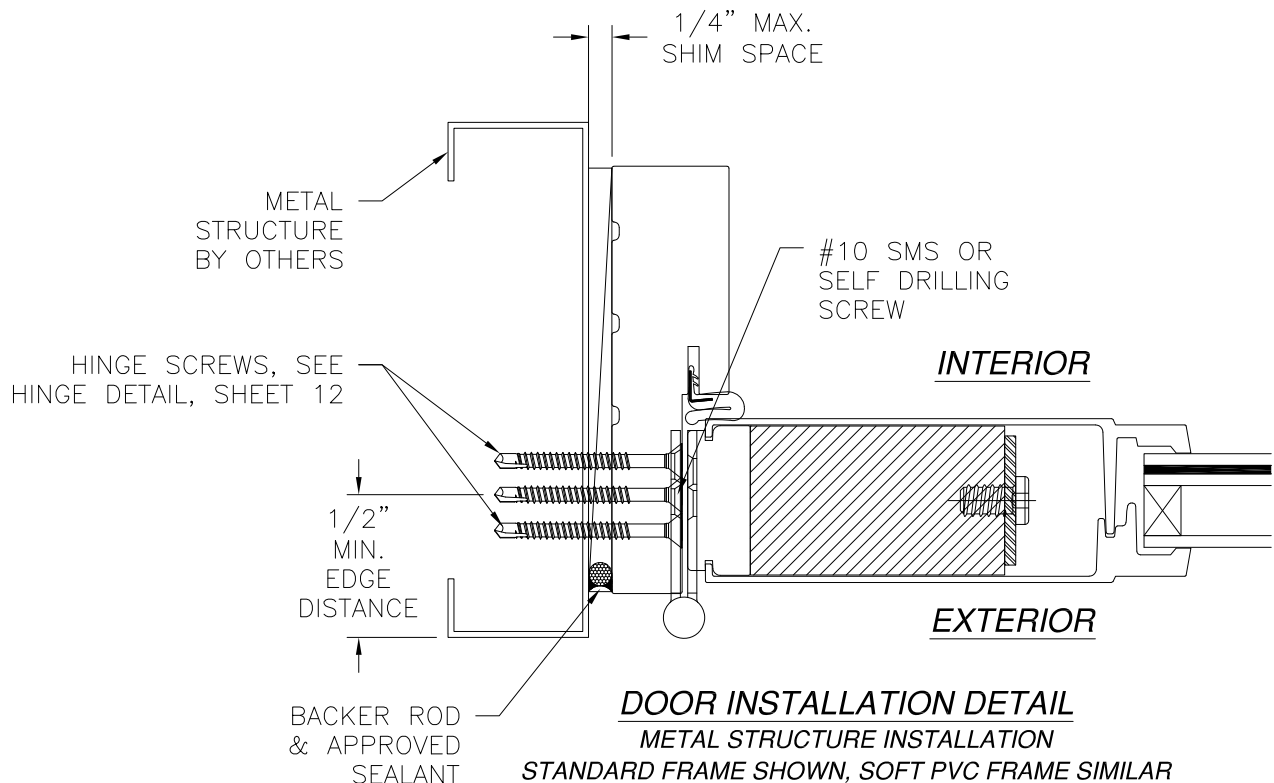
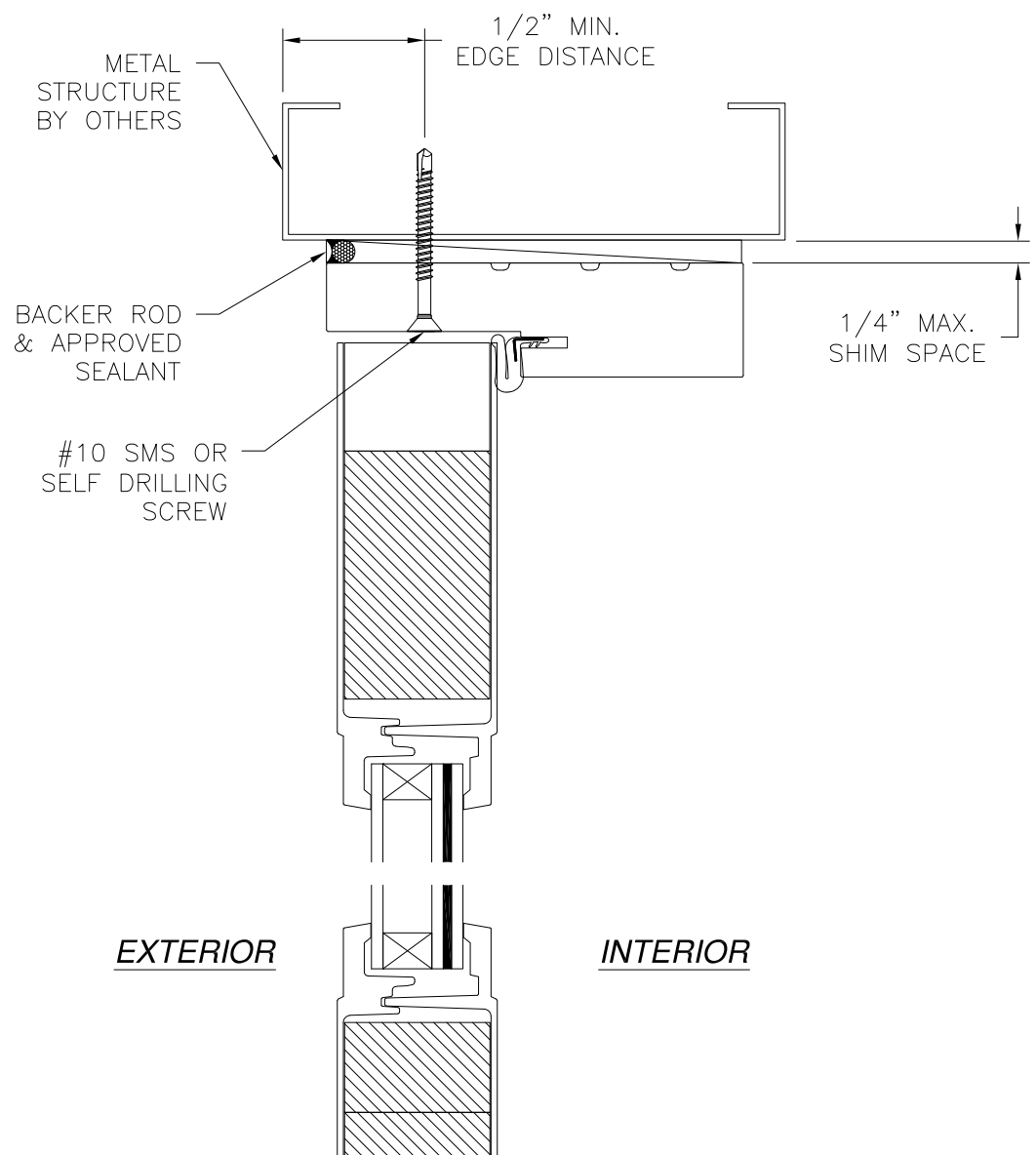
DRAWN: A.R.	DWG NO. 08-03341	REV A
SCALE NTS	DATE 10/25/18	SHEET 6 OF 14

L. ROBERTO LOMAS P.E.
 1432 WOODFORD RD LEWISVILLE, NC 27023
 434-688-0609 rllomas@rlomaspe.com



Luis R. Lomas P.E.
 TX No.: 101889
 Firm No: F-23130

REVISIONS			
REV	DESCRIPTION	DATE	APPROVED
A	REVISED PER NEW CODE	12/20/2021	R.L.



- NOTES:**
1. INTERIOR AND EXTERIOR FINISHES, BY OTHERS, NOT SHOWN FOR CLARITY.
 2. PERIMETER AND JOINT SEALANT BY OTHERS TO BE DESIGNED IN ACCORDANCE WITH ASTM E2112

SIGNED: 12/20/2021

NAN YA PLASTICS CORP. USA
8989 NORTH LOOP EAST
HOUSTON, TX 77029

SLPS PATIO DOOR LITE 8'0 OUTSWING
LARGE MISSILE IMPACT
DOOR INSTALLATION DETAILS

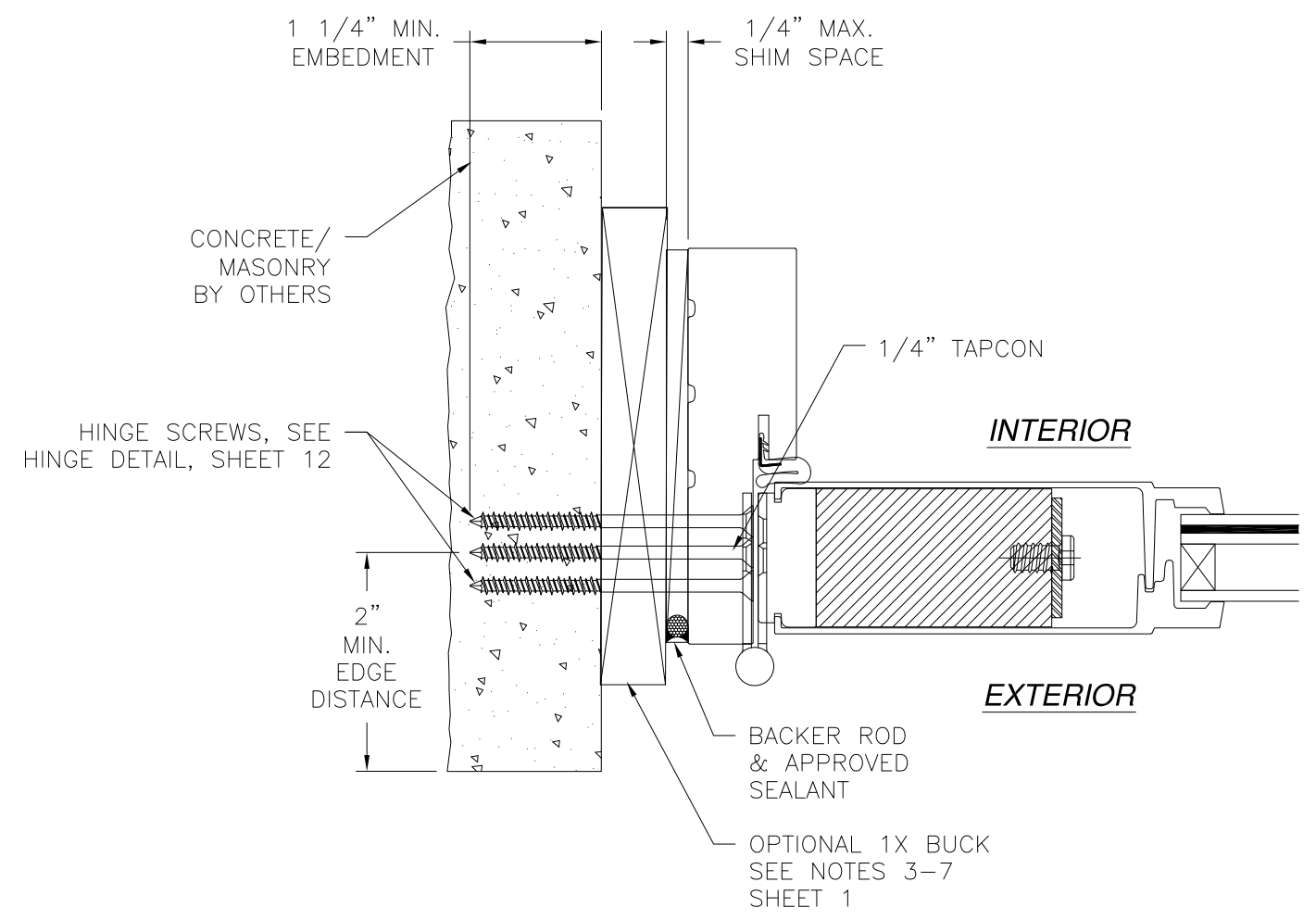
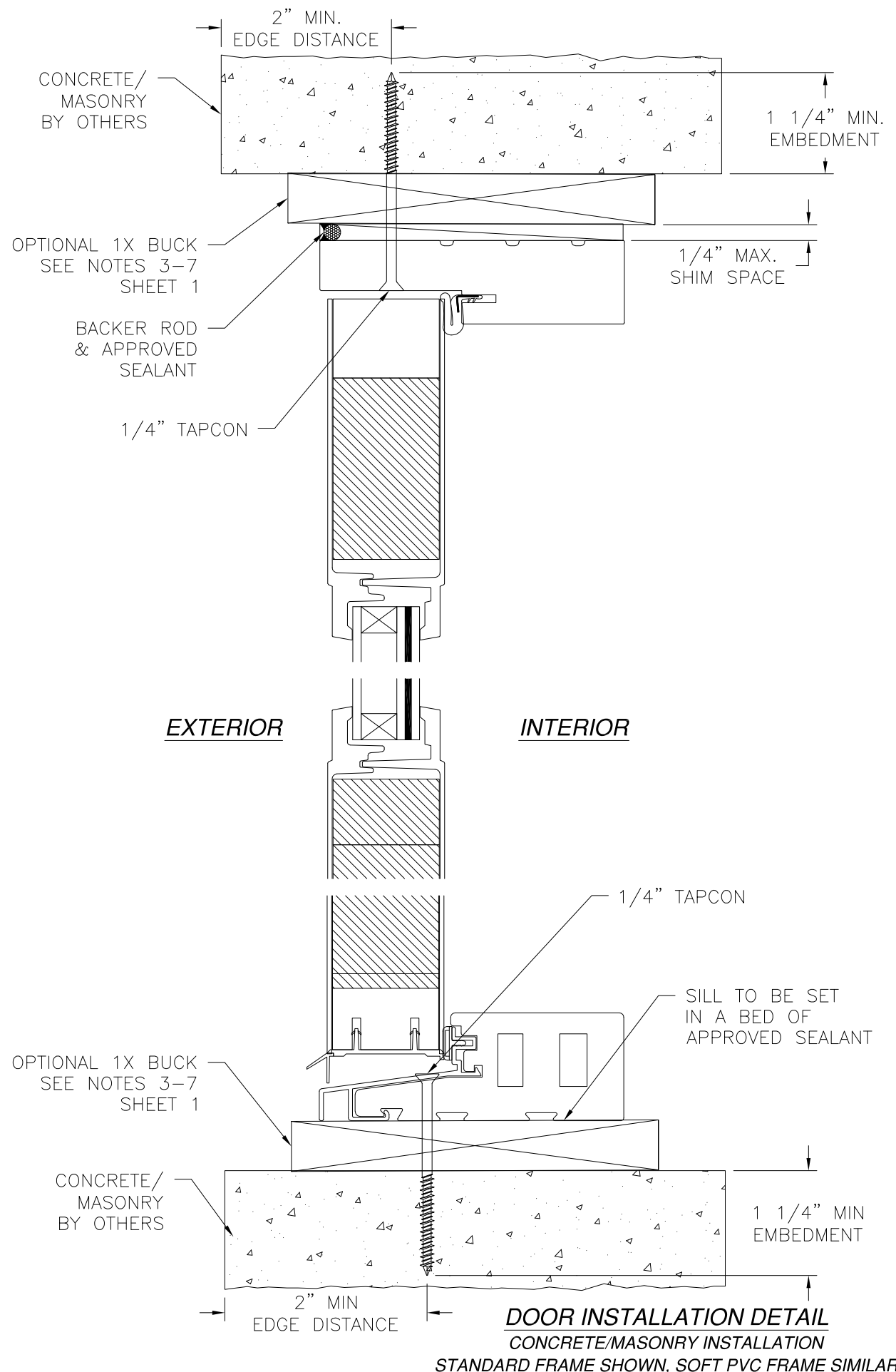
DRAWN: A.R.	DWG NO. 08-03341	REV A
SCALE NTS	DATE 10/25/18	SHEET 7 OF 14

L. ROBERTO LOMAS P.E.
1432 WOODFORD RD LEWISVILLE, NC 27023
434-688-0609 rllomas@rlomaspe.com



Luis R. Lomas P.E.
TX No.: 101889
Firm No: F-23130

REVISIONS			
REV	DESCRIPTION	DATE	APPROVED
A	REVISED PER NEW CODE	12/20/2021	R.L.



DOOR INSTALLATION DETAIL
CONCRETE/MASONRY INSTALLATION
 STANDARD FRAME SHOWN, SOFT PVC FRAME SIMILAR

- NOTES:**
1. INTERIOR AND EXTERIOR FINISHES, BY OTHERS, NOT SHOWN FOR CLARITY.
 2. PERIMETER AND JOINT SEALANT BY OTHERS TO BE DESIGNED IN ACCORDANCE WITH ASTM E2112

SIGNED: 12/20/2021

NAN YA PLASTICS CORP. USA
 8989 NORTH LOOP EAST
 HOUSTON, TX 77029

SLPS PATIO DOOR LITE 8'0 OUTSWING
 LARGE MISSILE IMPACT
 DOOR INSTALLATION DETAILS

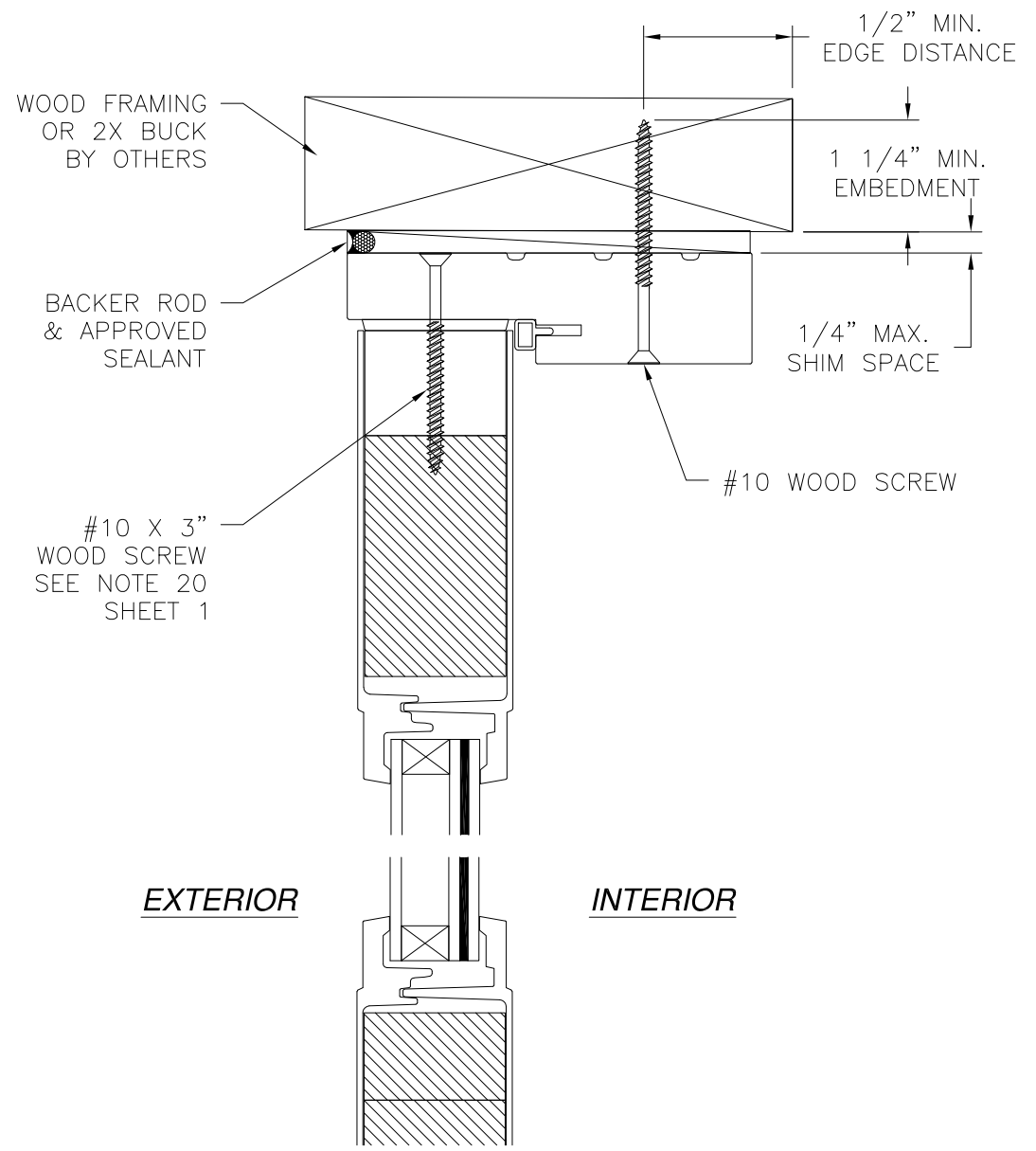
DRAWN: A.R.	DWG NO. 08-03341	REV A
SCALE NTS	DATE 10/25/18	SHEET 8 OF 14

L. ROBERTO LOMAS P.E.
 1432 WOODFORD RD LEWISVILLE, NC 27023
 434-688-0609 rllomas@rlomaspe.com

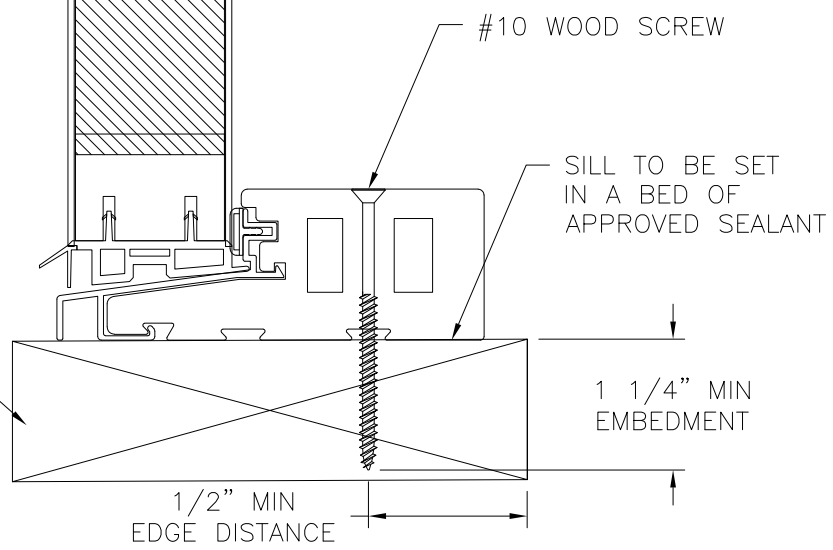


Luis R. Lomas P.E.
 TX No.: 101889
 Firm No: F-23130

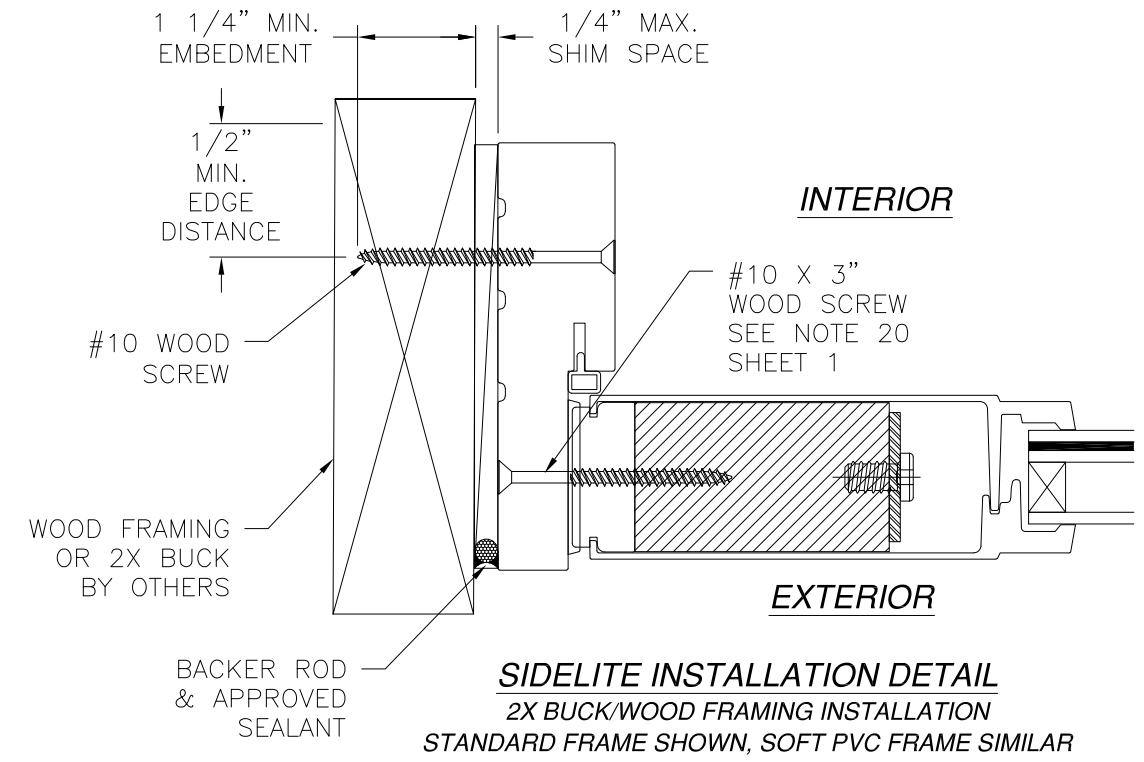
REVISIONS			
REV	DESCRIPTION	DATE	APPROVED
A	REVISED PER NEW CODE	12/20/2021	R.L.



EXTERIOR **INTERIOR**



SIDELITE INSTALLATION DETAIL
2X BUCK/WOOD FRAMING INSTALLATION
STANDARD FRAME SHOWN, SOFT PVC FRAME SIMILAR



INTERIOR

EXTERIOR

SIDELITE INSTALLATION DETAIL
2X BUCK/WOOD FRAMING INSTALLATION
STANDARD FRAME SHOWN, SOFT PVC FRAME SIMILAR

- NOTES:**
1. INTERIOR AND EXTERIOR FINISHES, BY OTHERS, NOT SHOWN FOR CLARITY.
 2. PERIMETER AND JOINT SEALANT BY OTHERS TO BE DESIGNED IN ACCORDANCE WITH ASTM E2112

SIGNED: 12/20/2021

NAN YA PLASTICS CORP. USA
8989 NORTH LOOP EAST
HOUSTON, TX 77029

SLPS PATIO DOOR LITE 8'0 OUTSWING
LARGE MISSILE IMPACT
SIDELITE INSTALLATION DETAILS

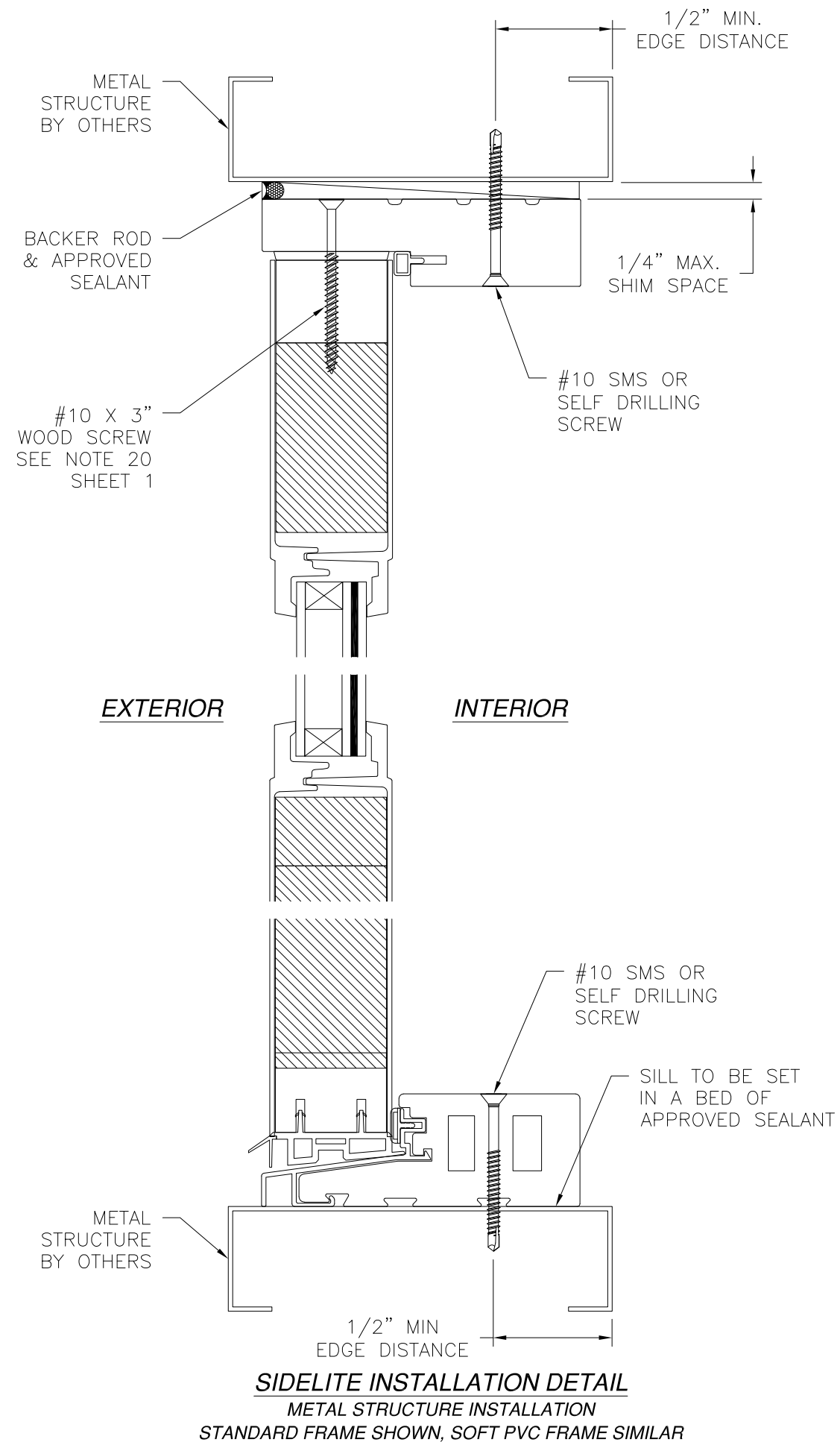
DRAWN: A.R.	DWG NO. 08-03341	REV A
SCALE NTS	DATE 10/25/18	SHEET 9 OF 14

L. ROBERTO LOMAS P.E.
1432 WOODFORD RD LEWISVILLE, NC 27023
434-688-0609 rllomas@rlomaspe.com

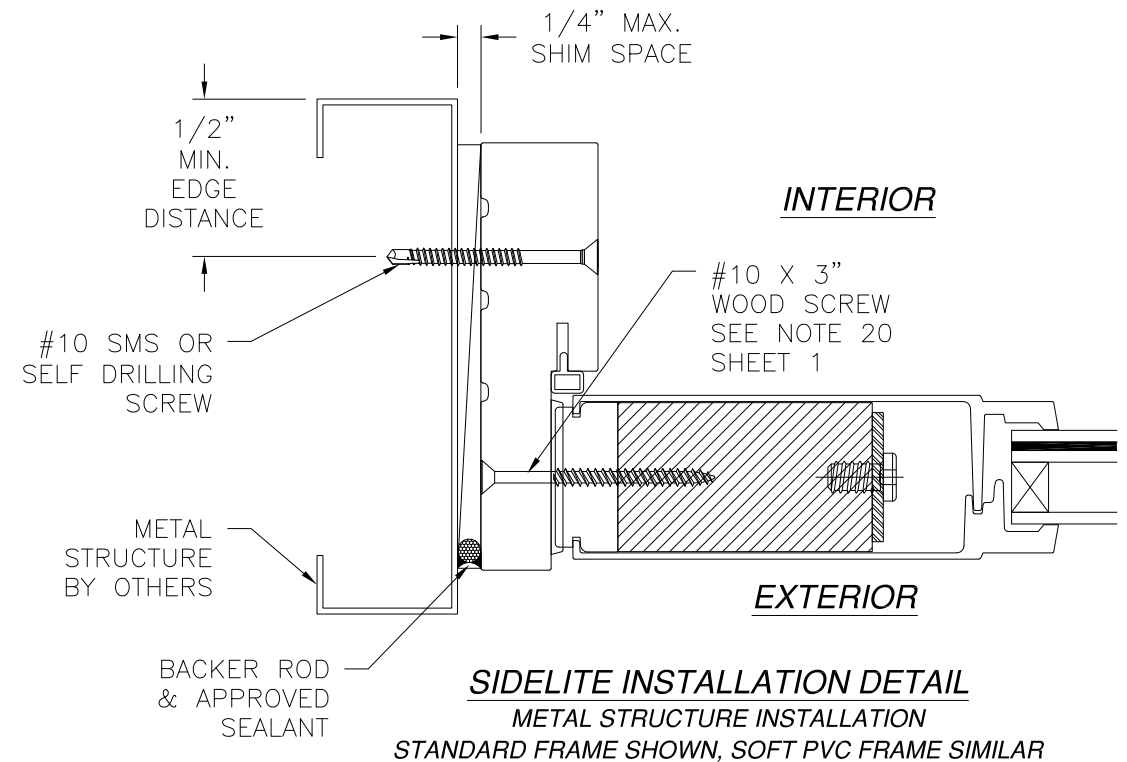


Luis R. Lomas P.E.
TX No.: 101889
Firm No: F-23130

REVISIONS			
REV	DESCRIPTION	DATE	APPROVED
A	REVISED PER NEW CODE	12/20/2021	R.L.



SIDELITE INSTALLATION DETAIL
METAL STRUCTURE INSTALLATION
 STANDARD FRAME SHOWN, SOFT PVC FRAME SIMILAR



SIDELITE INSTALLATION DETAIL
METAL STRUCTURE INSTALLATION
 STANDARD FRAME SHOWN, SOFT PVC FRAME SIMILAR

- NOTES:**
1. INTERIOR AND EXTERIOR FINISHES, BY OTHERS, NOT SHOWN FOR CLARITY.
 2. PERIMETER AND JOINT SEALANT BY OTHERS TO BE DESIGNED IN ACCORDANCE WITH ASTM E2112

SIGNED: 12/20/2021

NAN YA PLASTICS CORP. USA
 8989 NORTH LOOP EAST
 HOUSTON, TX 77029

SLPS PATIO DOOR LITE 8'0 OUTSWING
 LARGE MISSILE IMPACT
 SIDELITE INSTALLATION DETAILS

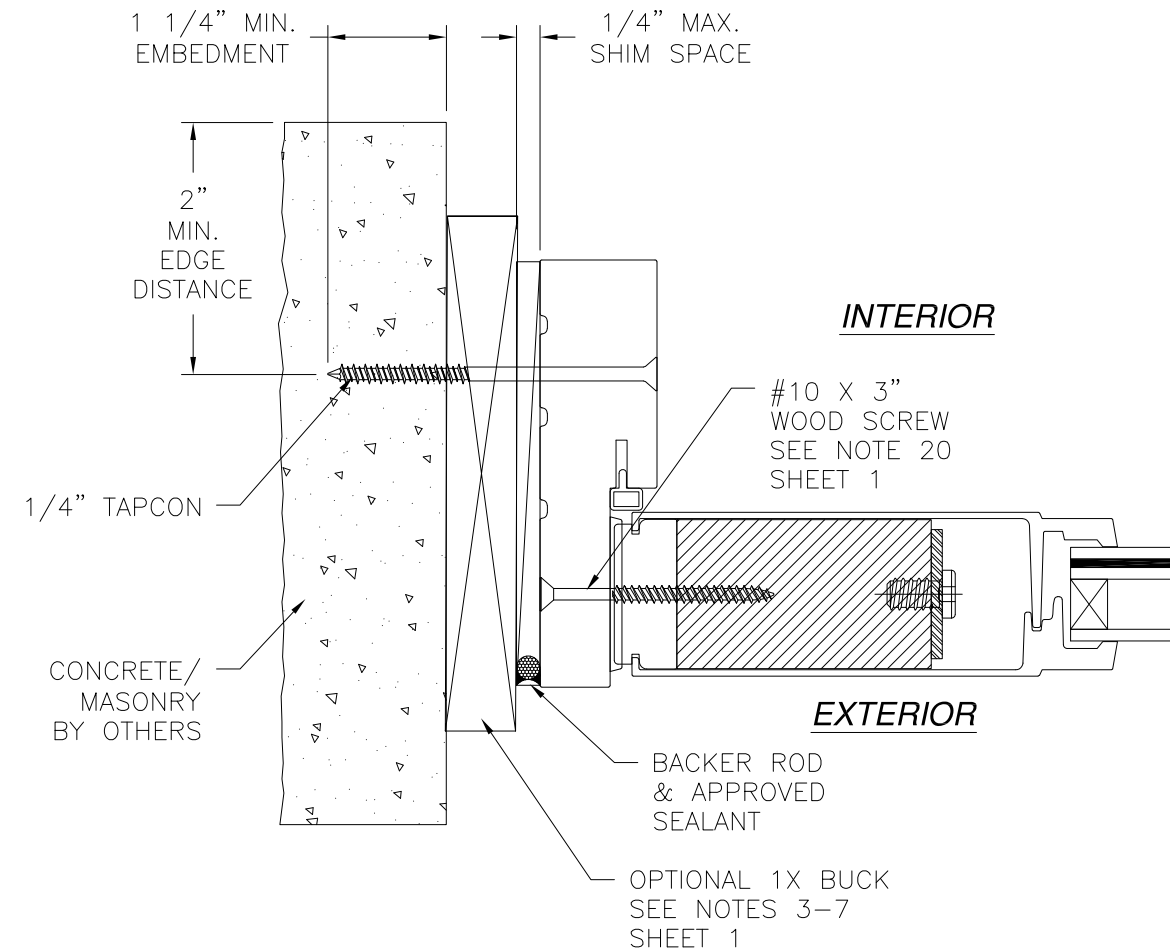
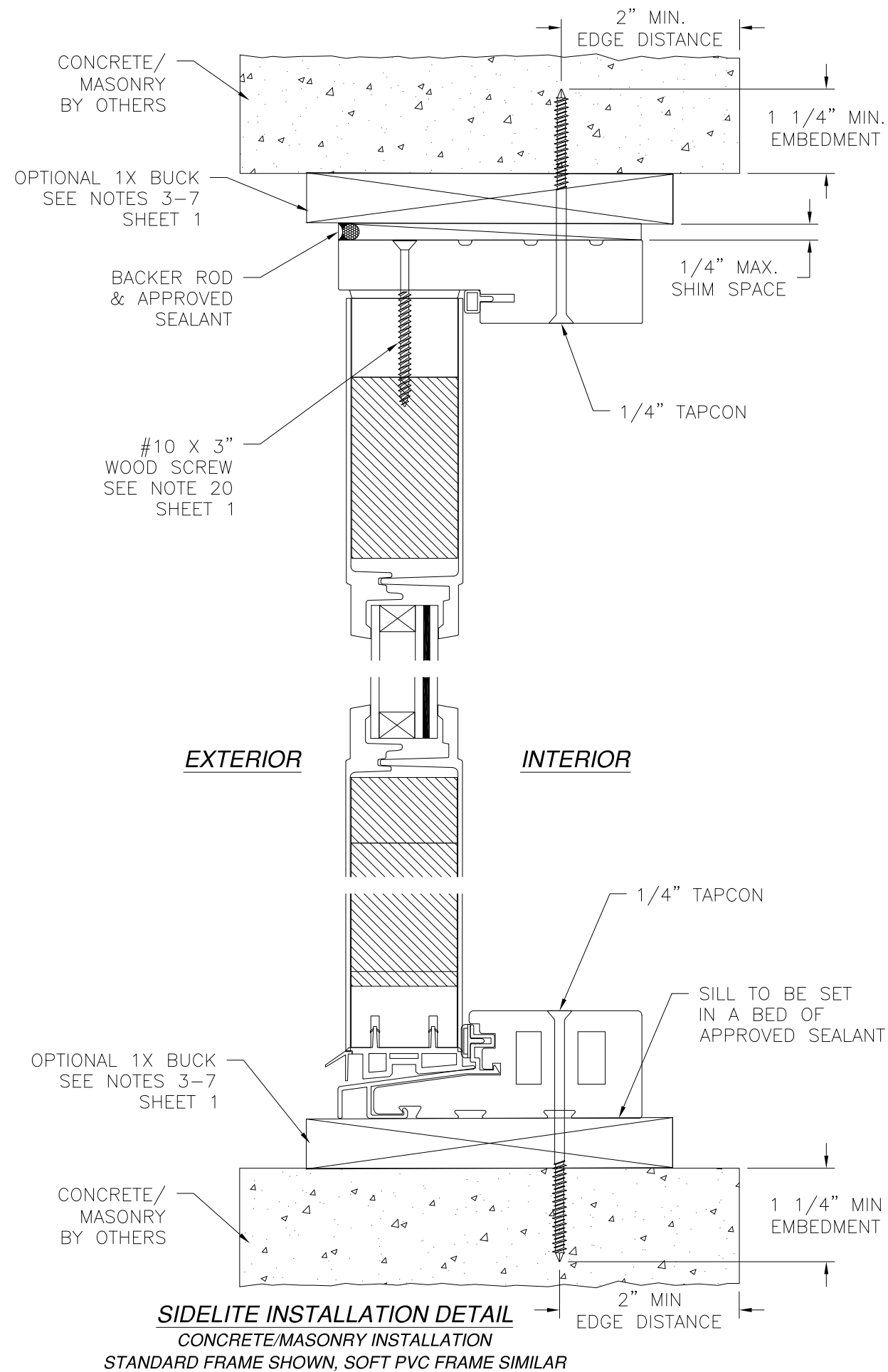
DRAWN: A.R.	DWG NO. 08-03341	REV A
SCALE NTS	DATE 10/25/18	SHEET 10 OF 14

L. ROBERTO LOMAS P.E.
 1432 WOODFORD RD LEWISVILLE, NC 27023
 434-688-0609 rllomas@rlomaspe.com



Luis R. Lomas P.E.
 TX No.: 101889
 Firm No: F-23130

REVISIONS			
REV	DESCRIPTION	DATE	APPROVED
A	REVISED PER NEW CODE	12/20/2021	R.L.



SIDELITE INSTALLATION DETAIL
CONCRETE/MASONRY INSTALLATION
 STANDARD FRAME SHOWN, SOFT PVC FRAME SIMILAR

NOTES:

1. INTERIOR AND EXTERIOR FINISHES, BY OTHERS, NOT SHOWN FOR CLARITY.
2. PERIMETER AND JOINT SEALANT BY OTHERS TO BE DESIGNED IN ACCORDANCE WITH ASTM E2112

SIGNED: 12/20/2021

NAN YA PLASTICS CORP. USA
 8989 NORTH LOOP EAST
 HOUSTON, TX 77029

SLPS PATIO DOOR LITE 8'0 OUTSWING
 LARGE MISSILE IMPACT
 SIDELITE INSTALLATION DETAILS

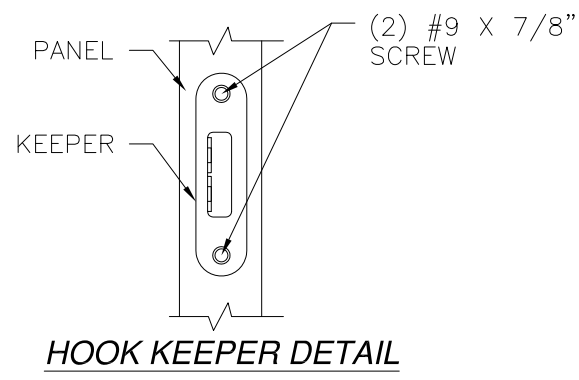
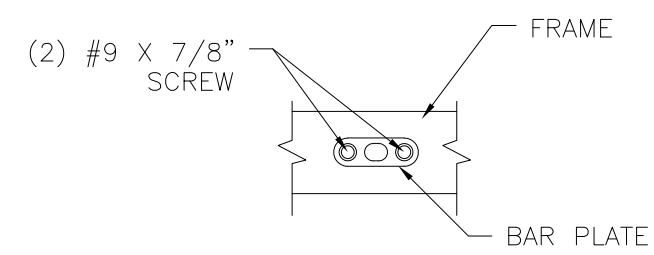
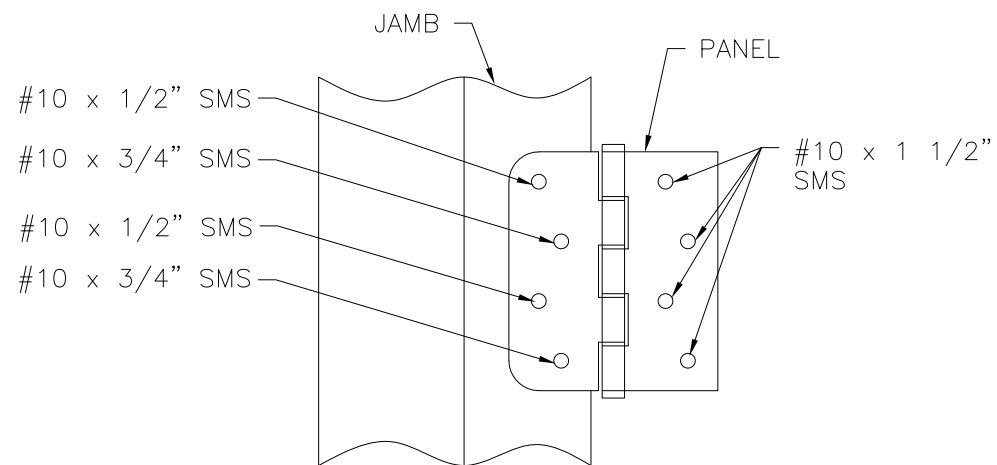
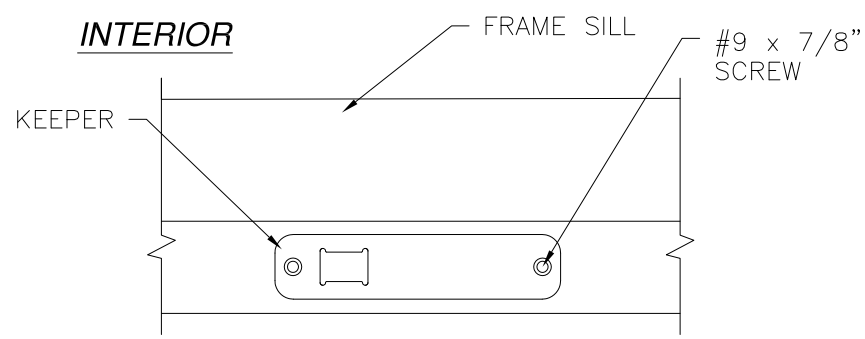
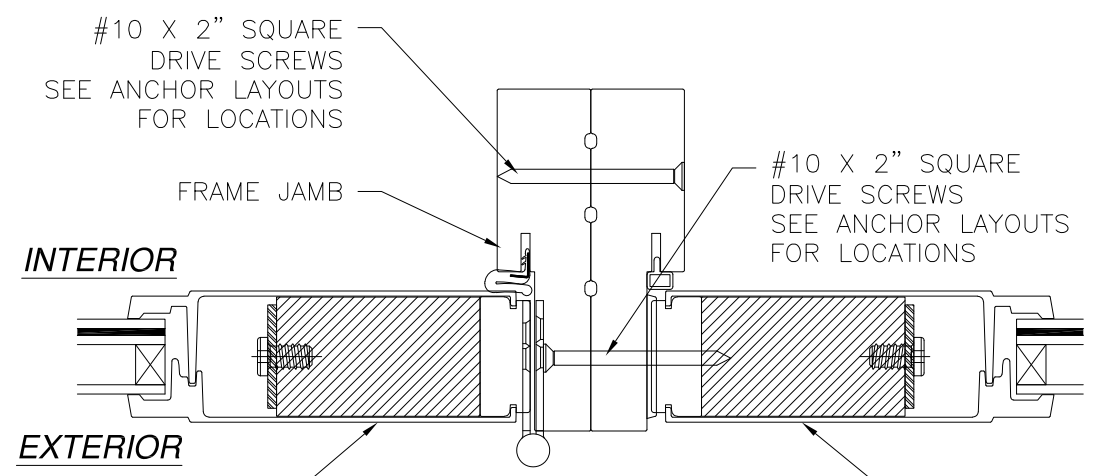
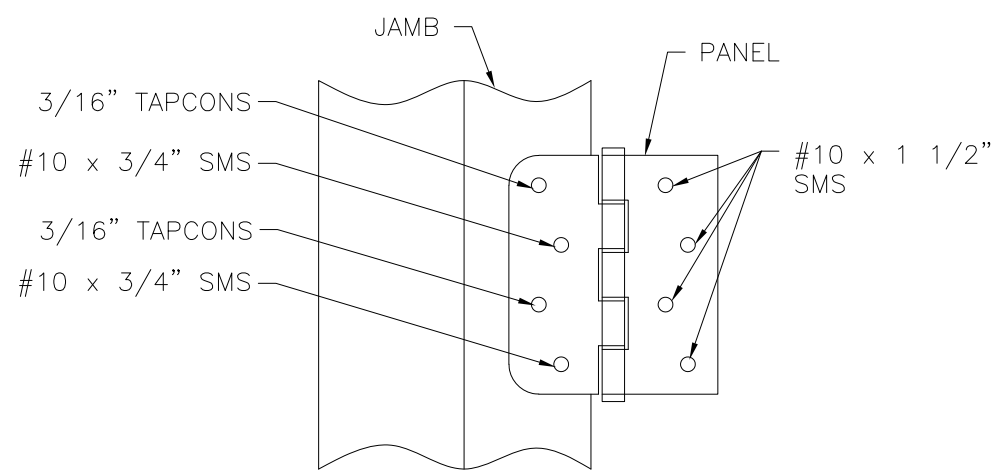
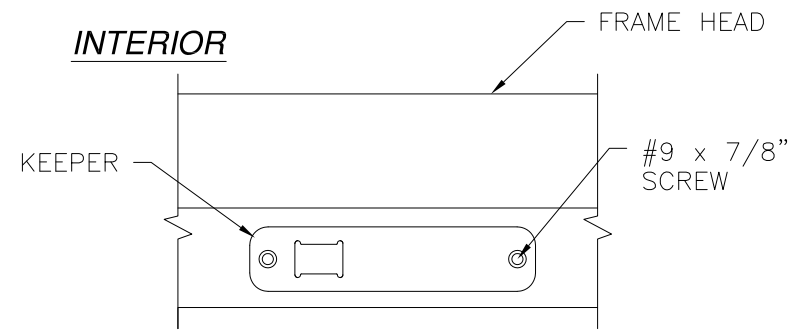
DRAWN: A.R.	DWG NO. 08-03341	REV A
SCALE NTS	DATE 10/25/18	SHEET 11 OF 14

L. ROBERTO LOMAS P.E.
 1432 WOODFORD RD LEWISVILLE, NC 27023
 434-688-0609 rllomas@rlomaspe.com

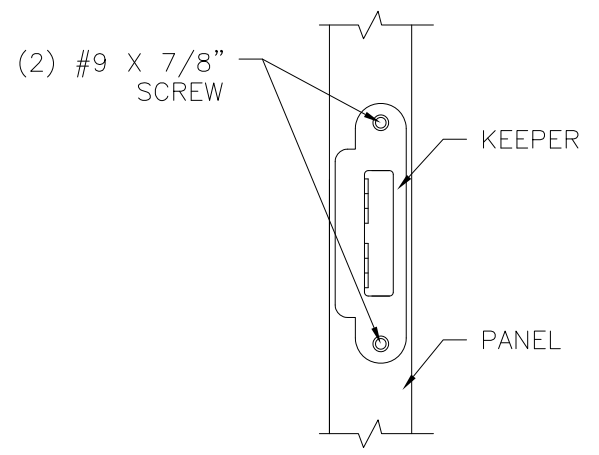


Luis R. Lomas P.E.
 TX No.: 101889
 Firm No: F-23130

REVISIONS			
REV	DESCRIPTION	DATE	APPROVED
A	REVISED PER NEW CODE	12/20/2021	R.L.



HINGE INSTALLATION DETAIL
WOOD AND METAL INSTALLATION



SLAB MULTI-POINT LOCK KEEPER DETAIL

SIGNED: 12/20/2021

NAN YA PLASTICS CORP. USA
8989 NORTH LOOP EAST
HOUSTON, TX 77029

SLPS PATIO DOOR LITE 8'0 OUTSWING
LARGE MISSILE IMPACT
INSTALLATION DETAILS

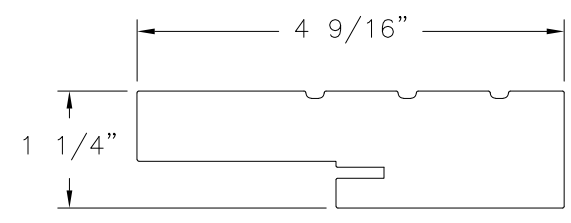
DRAWN: A.R.	DWG NO. 08-03341	REV A
SCALE NTS	DATE 10/25/18	SHEET 12 OF 14

L. ROBERTO LOMAS P.E.
1432 WOODFORD RD LEWISVILLE, NC 27023
434-688-0609 rllomas@rlomaspe.com

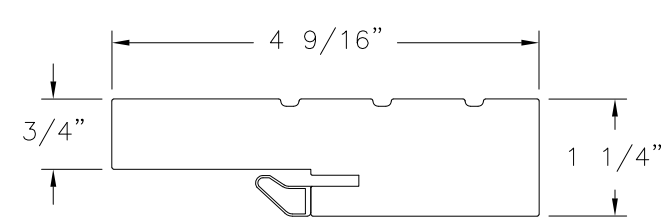


Luis R. Lomas P.E.
TX No.: 101889
Firm No: F-23130

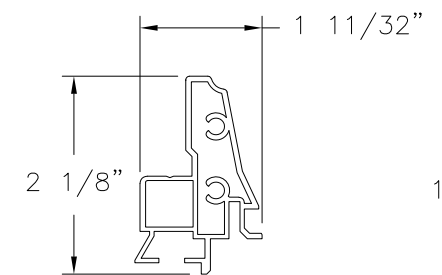
REVISIONS			
REV	DESCRIPTION	DATE	APPROVED
A	REVISED PER NEW CODE	12/20/2021	R.L.



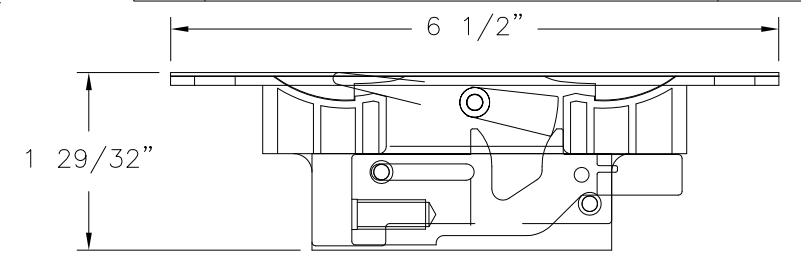
HEAD FRAME & JAMB
FOAM PVC CO-EX



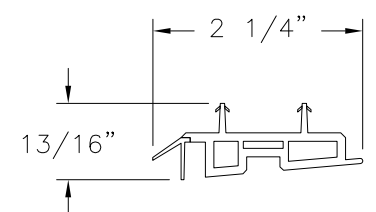
FRAME SOFT PVC
FOAM PVC CO-EX



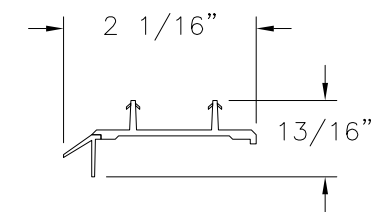
REINFORCEMENT (B)
ALUMINUM



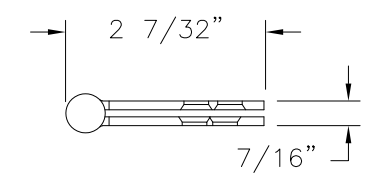
FLUSH BOLT MECHANISM
DIE CAST, STEEL, POM (SS93X) BY JAM YUAN ENTERPRISES CO., LTD.



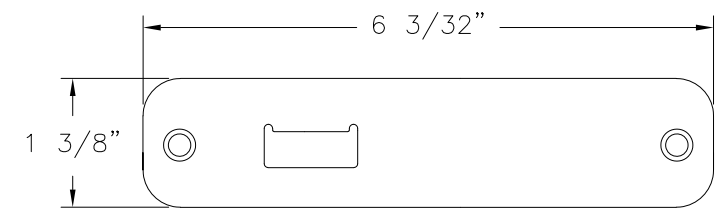
DOOR BOTTOM-B
PVC CO-EX



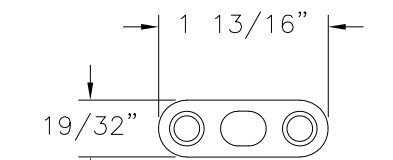
DOOR BOTTOM-A
PVC CO-EX



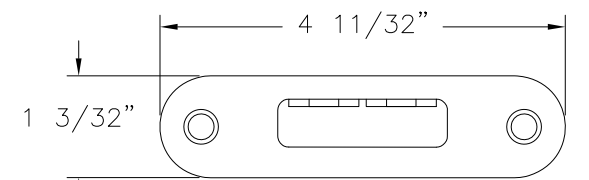
4" X 4" DOOR HINGE
STEEL



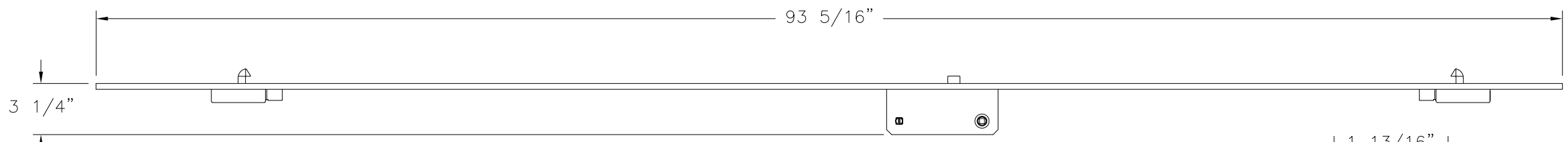
TOP/BOTTOM BAR KEEPER
STAINLESS STEEL (SS92H)
BY JAM YUAN ENTERPRISES CO., LTD.



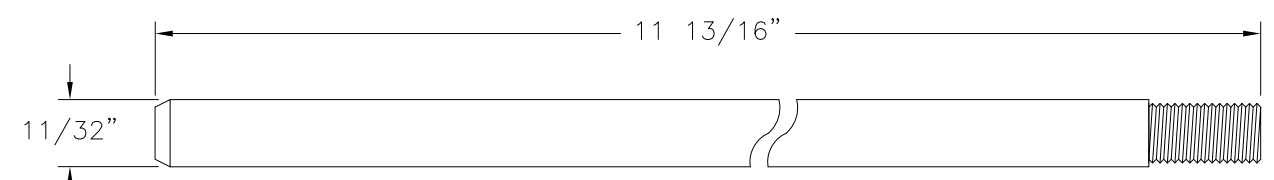
DRIVE BAR PLATE
STAINLESS STEEL
BY JAM YUAN ENTERPRISES CO., LTD.



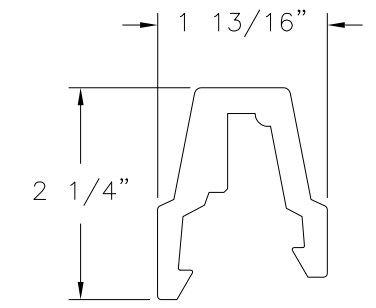
HOOK KEEPER
STAINLESS STEEL (SS92G)
BY JAM YUAN ENTERPRISES CO., LTD.



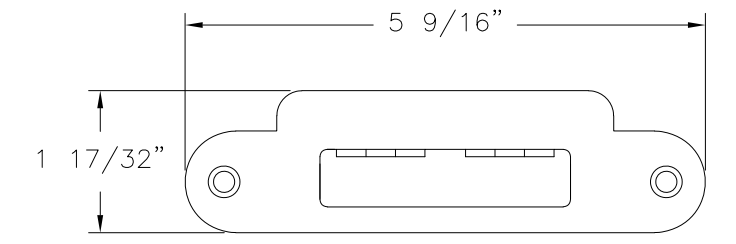
MULTI-POINT LOCKING SYSTEM
STAINLESS STEEL (SS930) BY JAM YUAN ENTERPRISES CO., LTD.



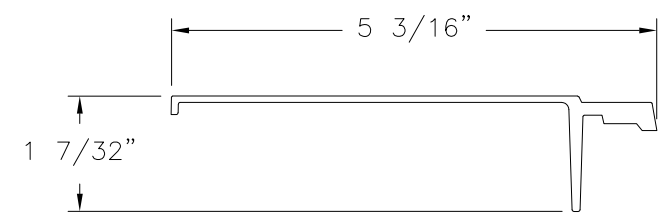
FLUSH BOLT BAR
STAINLESS STEEL (SS93B) BY JAM YUAN ENTERPRISES CO., LTD.



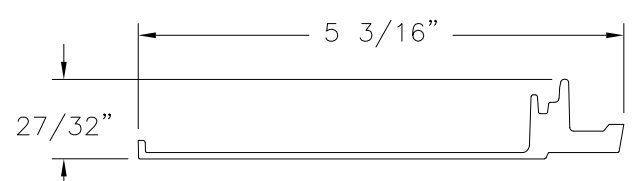
MULLION COVER (B)
FOAM PVC



SLAB MULTI-POINT LOCK KEEPER
STEEL BY JAM YUAN ENTERPRISES CO., LTD.



SHEET MOLDING COMPOUND SKIN-1
FIBERGLASS



SHEET MOLDING COMPOUND SKIN-2
FIBERGLASS

SIGNED: 12/20/2021

NAN YA PLASTICS CORP. USA
8989 NORTH LOOP EAST
HOUSTON, TX 77029

SLPS PATIO DOOR LITE 8'0 OUTSWING
LARGE MISSILE IMPACT
COMPONENTS

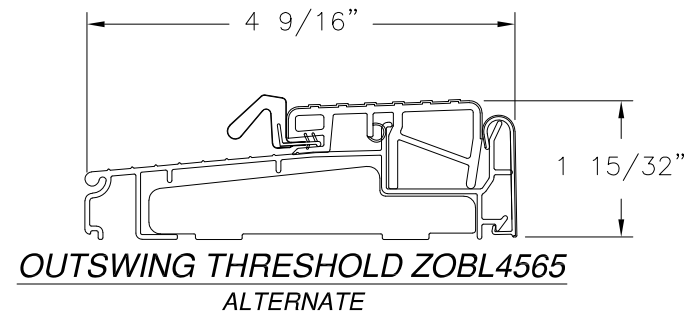
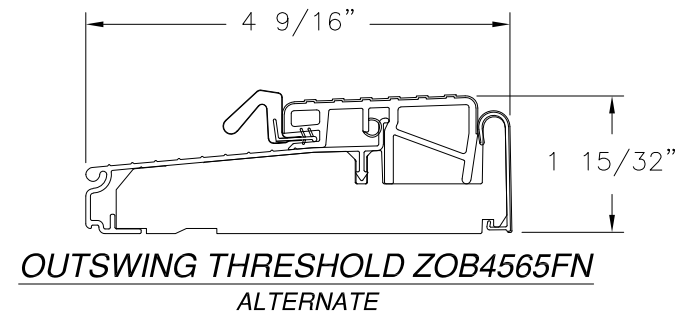
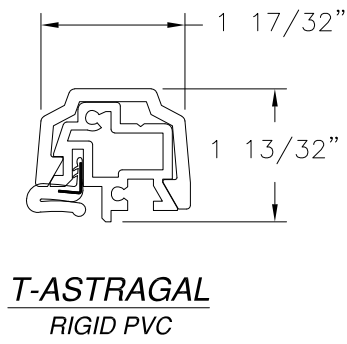
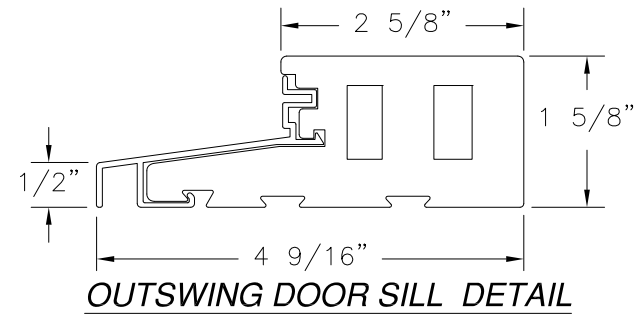
DRAWN: A.R.	DWG NO. 08-03341	REV A
SCALE NTS	DATE 10/25/18	SHEET 13 OF 14

L. ROBERTO LOMAS P.E.
1432 WOODFORD RD LEWISVILLE, NC 27023
434-688-0609 rllomas@rlomaspe.com



Luis R. Lomas P.E.
TX No.: 101889
Firm No: F-23130

REVISIONS			
REV	DESCRIPTION	DATE	APPROVED
A	REVISED PER NEW CODE	12/20/2021	R.L.



SIGNED: 12/20/2021

<p>NAN YA PLASTICS CORP. USA 8989 NORTH LOOP EAST HOUSTON, TX 77029</p>		
<p>SLPS PATIO DOOR LITE 8'0 OUTSWING LARGE MISSILE IMPACT COMPONENTS</p>		
<p>DRAWN: A.R.</p>	<p>DWG NO. 08-03341</p>	<p>REV A</p>
<p>SCALE NTS</p>	<p>DATE 10/25/18</p>	<p>SHEET 14 OF 14</p>
<p>L. ROBERTO LOMAS P.E. 1432 WOODFORD RD LEWISVILLE, NC 27023 434-688-0609 rllomas@lrlomaspe.com</p>		



Luis R. Lomas P.E.
TX No.: 101889
Firm No: F-23130