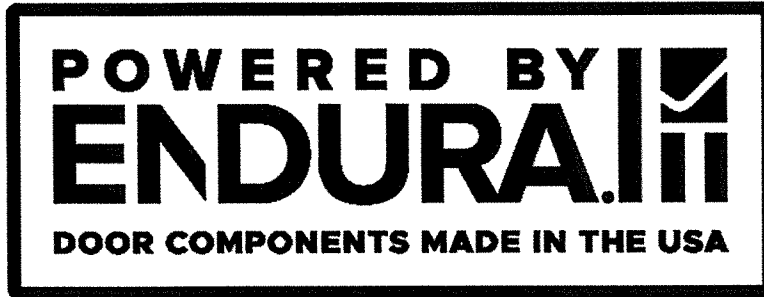


Z:\Clients\Endura PERMANENT\B - Texas Dept of Ins\TDI - DR-1021 Flush GLZ Plastpro FG door (4910-4915)\C - Drawings\TX-4910,13.dwg



## Glazed Fiberglass Door

### "NON-IMPACT" INSWING / OUTSWING

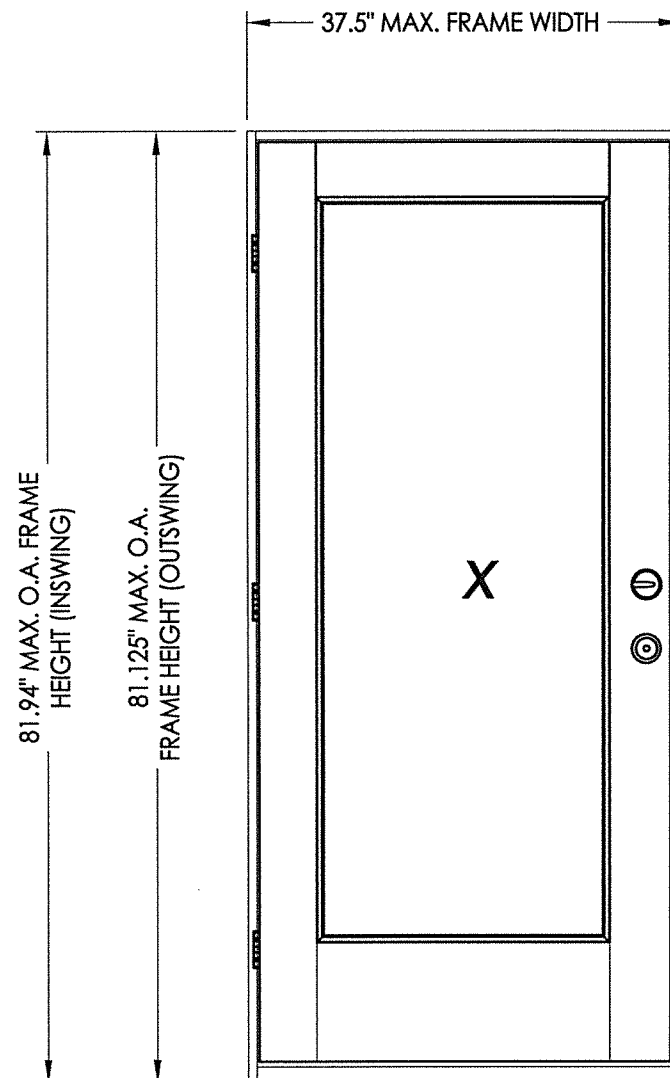
EVALUATED FOR USE IN THE STATE OF TEXAS

**TDI DR-1021**

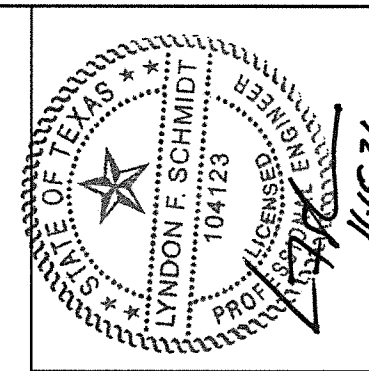
The Fiberglass Door system described herein complies with the 2018 International Residential Code (IRC), Sections R301 & R609 and the 2018 International Building Code (IBC), Sections 1404.13, 1609, 1709.5, 2403 and 2404 subject to the following conditions:

1. Anchors shall be as listed and spaced as shown in the details. Anchor embedment to base material shall be beyond wall dressing or stucco.
2. When used in areas requiring wind-borne debris protection this product is required to be protected with an impact resistant covering that complies with Section R301.2.1.2 of the IRC and Section 1609.1.2 of the IBC.
3. Allowable design pressure requirements must be equal to or less than the design pressure rating shown in the design pressure chart, sheet 1 of this drawing.
4. Conditions not covered by this drawing are subject to further engineering analysis.

TABLE OF CONTENTS	
SHEET#	DESCRIPTION
1	Typical elevations, design pressures & general notes
2	Door panel details (flush glazing)
3	Horizontal cross sections
4	Vertical cross sections
5	Frame anchoring



CONFIG.	GLAZING	MODEL	DESIGN PRESSURE (PSF)	
			POSITIVE	NEGATIVE
X	FLUSH GLAZED	INSWING	+60.0	-65.0
X	FLUSH GLAZED	OUTSWING	+60.0	-60.0



Documents Prepared By: Lyndon F. Schmidt, P.E.  
TEXAS P.E. #104123

*RW* BUILDING CONSULTANTS, INC.  
P.O. Box 230 Vailrico FL 33595  
Phone No.: 813.659.9197

TEXAS BOARD OF PROFESSIONAL ENGINEERS  
CERTIFICATE OF REGISTRATION # F-11852

PRODUCT: ENDURA

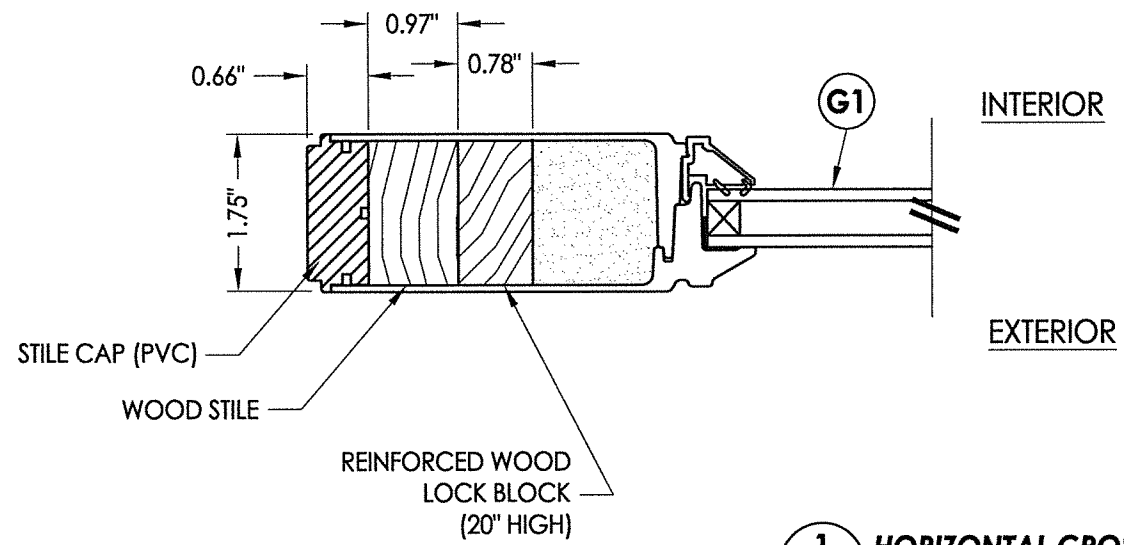
PART OR ASSEMBLY:  
TYPICAL ELEVATION, DESIGN PRESSURES & GENERAL NOTES

NO.	DATE	REVISIONS
1	11/10/21	UPDATE TO 2018 IBC/IRC CODE
		LFS BY

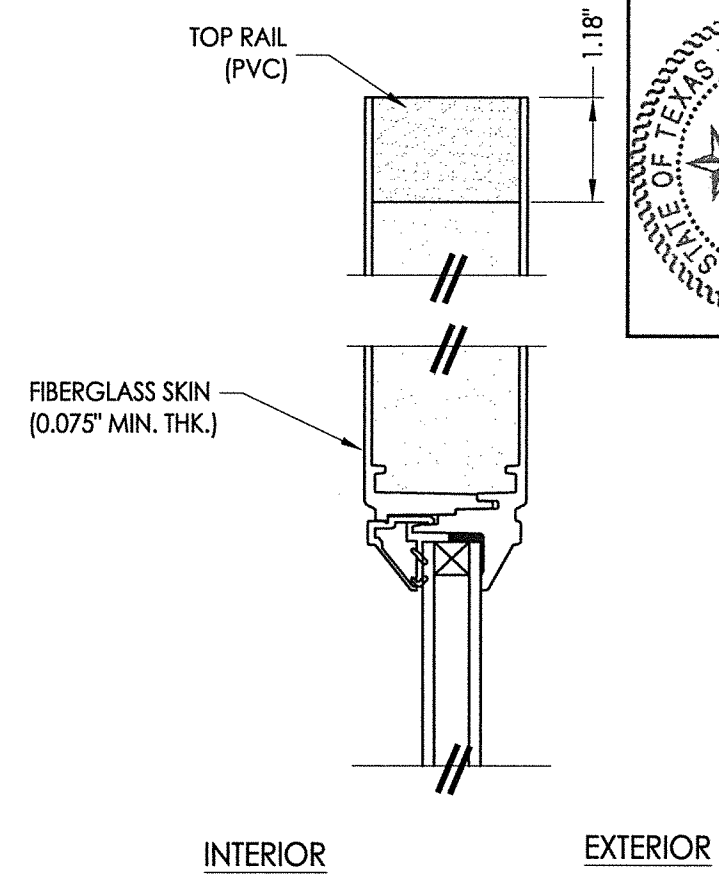
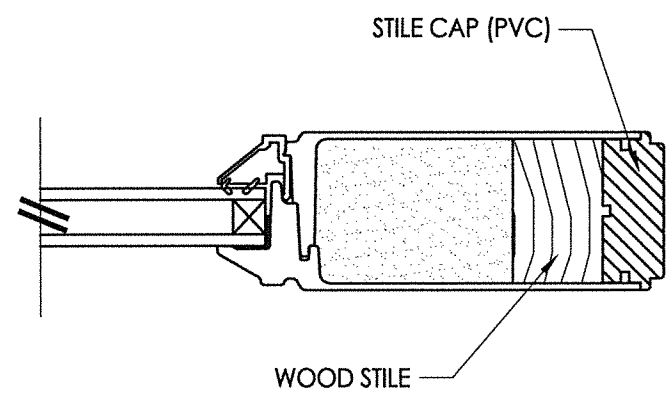
DATE: 11/8/18  
SCALE: N.T.S.  
DWG. BY: MT  
CHK. BY: LFS  
DRAWING NO.: TX-4910  
SHEET 1 OF 5

© 2018 R.W. BUILDING CONSULTANTS INC.

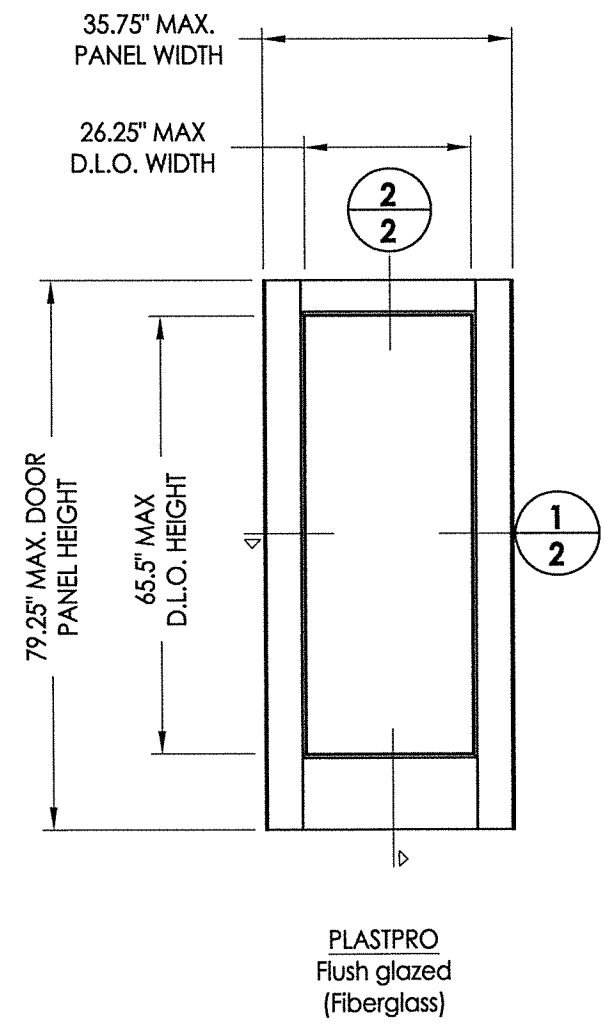
Z:\Clients\Endura PERMANENT\B - Texas Dept of Ins\TDI - DR-1021 Flush GLZ Plastpro FG door (4910-4915)\C - Drawings\TX-4910\13.dwg



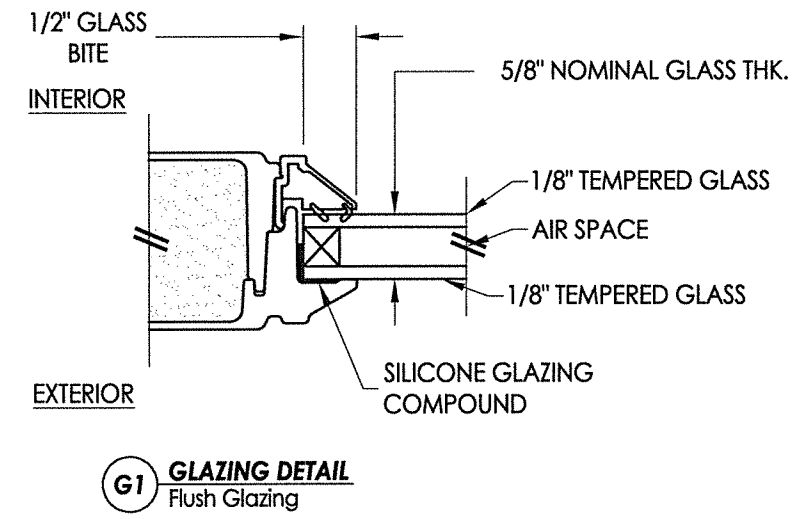
**1**  
**2** HORIZONTAL CROSS SECTION



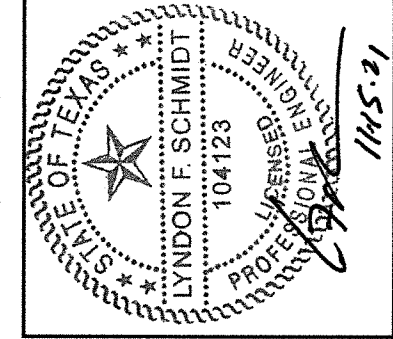
**2**  
**2** VERTICAL CROSS SECTION



PLASTPRO  
Flush glazed  
(Fiberglass)



**G1** GLAZING DETAIL  
Flush Glazing



Documents Prepared By: Lyndon F. Schmidt, P.E.  
TEXAS P.E. #104123

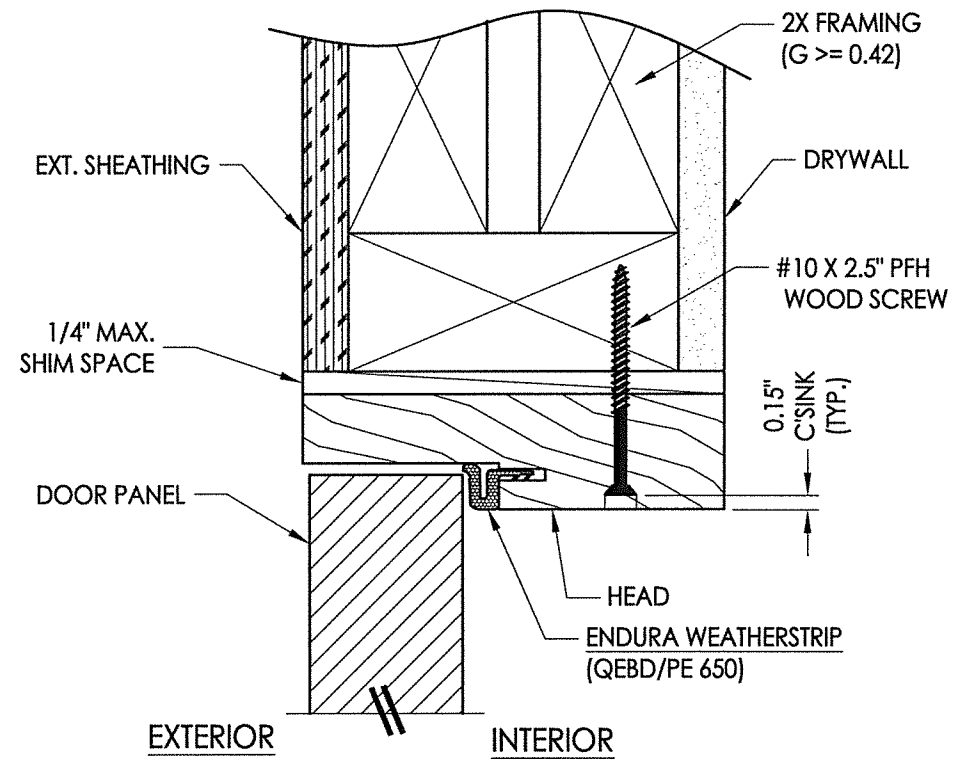
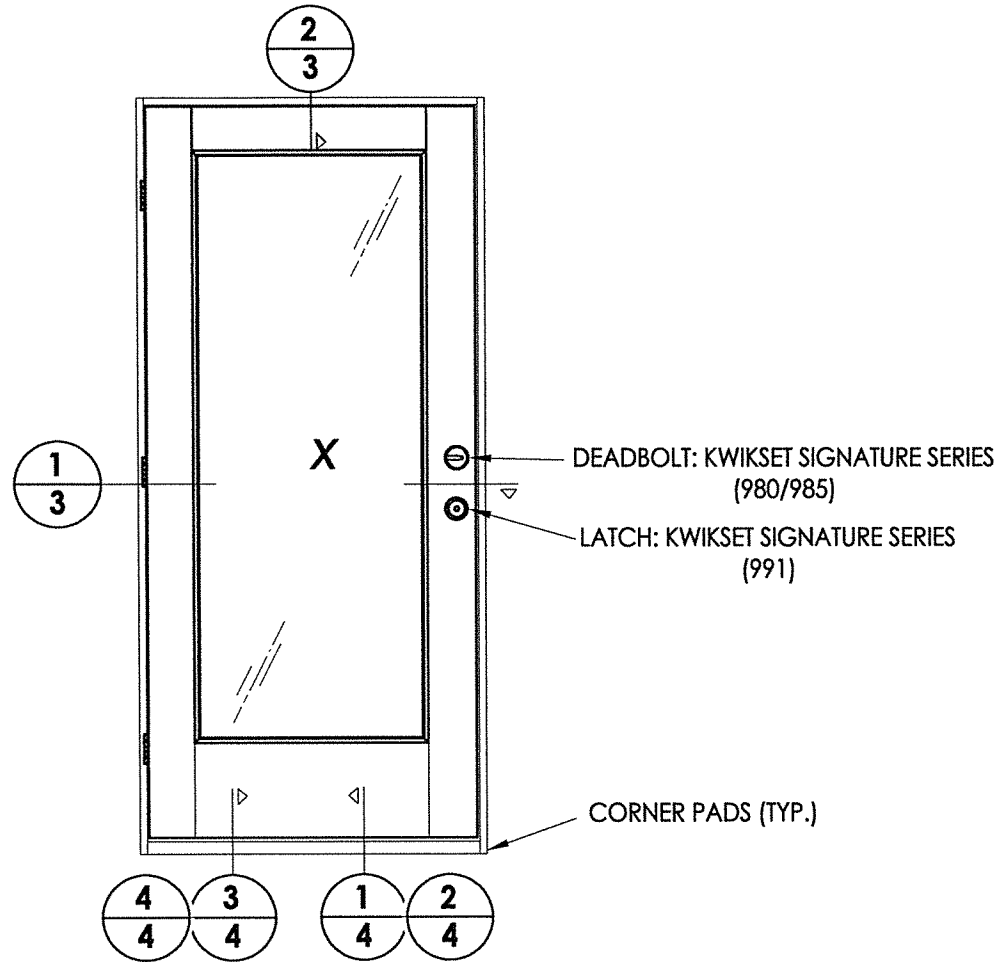
**RW** BUILDING CONSULTANTS, INC.  
P.O. Box 230 Valrico FL, 33595  
Phone No.: 813.659.9197  
TEXAS BOARD OF PROFESSIONAL ENGINEERS  
CERTIFICATE OF REGISTRATION # F-11852

PRODUCT: ENDURA  
PART OR ASSEMBLY: DOOR PANEL DETAILS (FLUSH GLAZING)

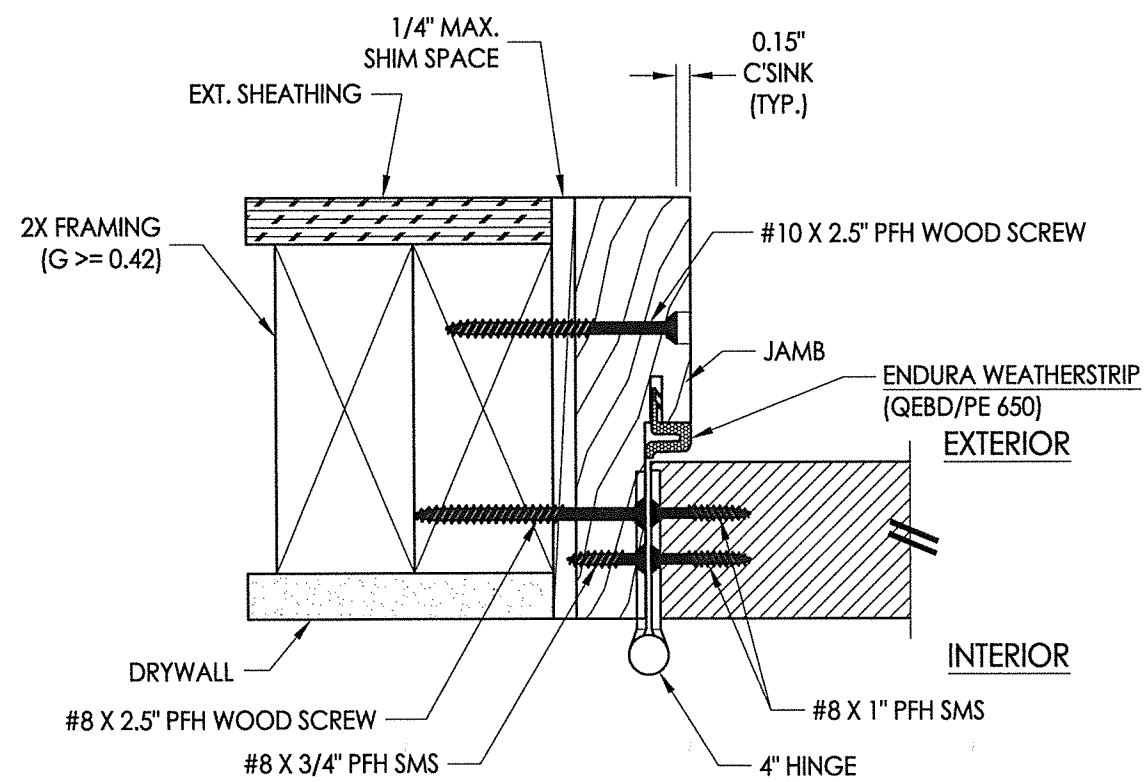
NO.	DATE	REVISIONS	BY
1	11/10/21	UPDATE TO 2018 IBC/IRC CODE	LFS

DATE: 11/8/18  
SCALE: N.T.S.  
DWG. BY: MT  
CHK. BY: LFS  
DRAWING NO.: TX-4910  
SHEET 2 OF 5

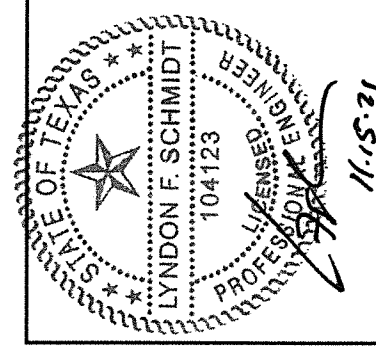
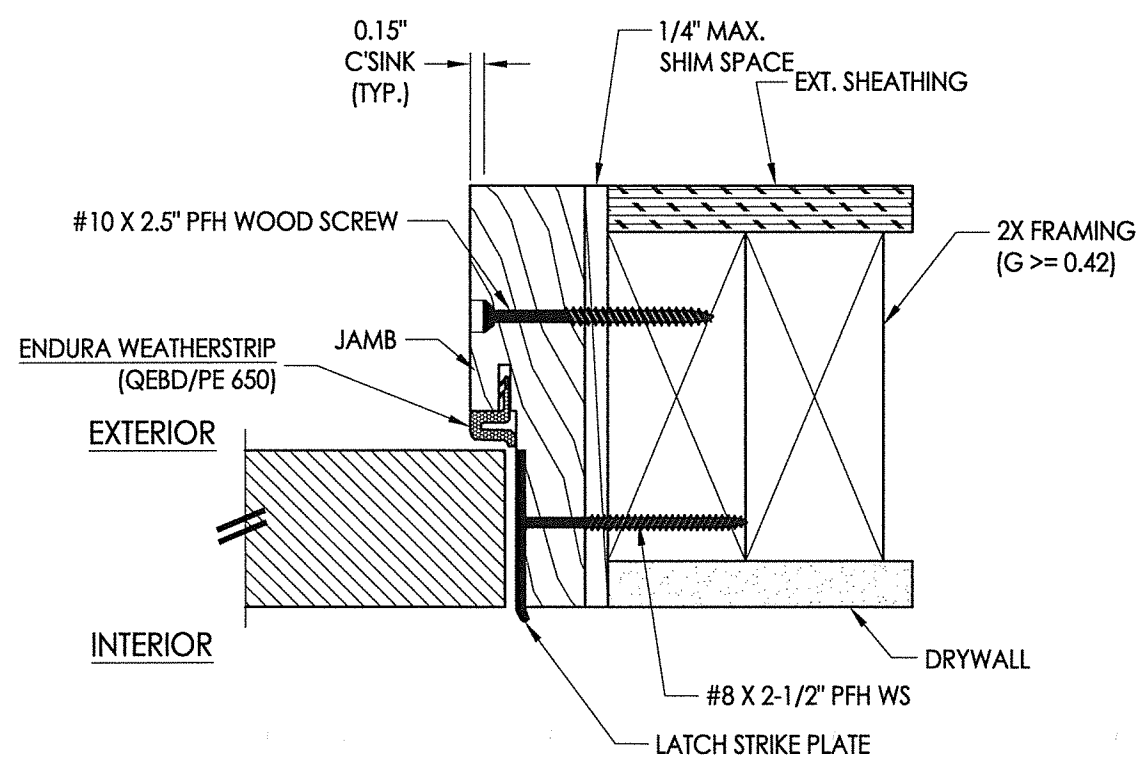
Z:\Clients\Endura PERMANENT\B - Texas Dept of Ins\TDI - DR-1021 Flush GLZ Plastpro FG door (4910-4915)\C - Drawings\TX-4910,13.dwg



**2 VERTICAL CROSS SECTION**  
 3 Outswing shown - inswing also approved



**1 HORIZONTAL CROSS SECTION**  
 3 Inswing shown - Outswing also approved



Documents Prepared By: Lyndon F. Schmidt, P.E.  
 TEXAS P.E. #104123

**RW** BUILDING CONSULTANTS, INC.  
 P.O. Box 230 Valrico FL 33595  
 Phone No.: 813.659.9197

TEXAS BOARD OF PROFESSIONAL ENGINEERS  
 CERTIFICATE OF REGISTRATION # F-11852

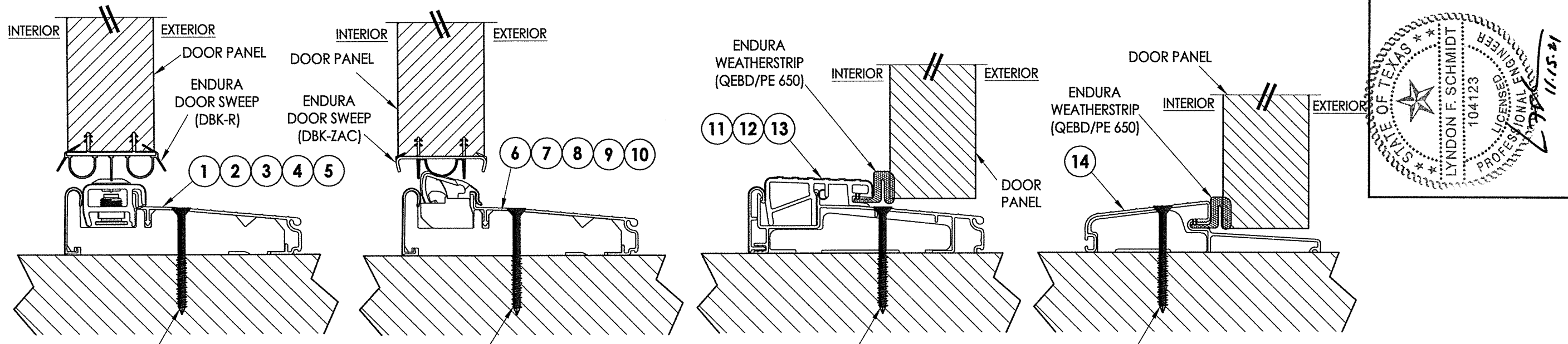
PRODUCT: ENDURA

PART OR ASSEMBLY: HORIZONTAL CROSS SECTIONS

NO.	DATE	DESCRIPTION	BY
1	11/10/21	UPDATE TO 2018 IBC/IRC CODE	LFS

DATE: 11/8/18  
 SCALE: N.T.S.  
 DWG. BY: MT  
 CHK. BY: LFS  
 DRAWING NO.: TX-4910  
 SHEET 3 OF 5

Z:\Clients\Endura PERMANENT\B - Texas Dept of Ins\TDI - DR-1021 Flush GLZ Plastpro FG door (4910-4915)\C - Drawings\TX-4910.13.dwg



#10 X 2.5" PFH WOOD SCREW OR  
1/4" X 2-3/4" DeWALT OR ITW CONCRETE SCREW

#10 X 2.5" PFH WOOD SCREW OR  
1/4" X 2-3/4" DeWALT OR ITW CONCRETE SCREW

#10 X 2.5" PFH WOOD SCREW OR  
1/4" X 2-3/4" DeWALT OR ITW CONCRETE SCREW

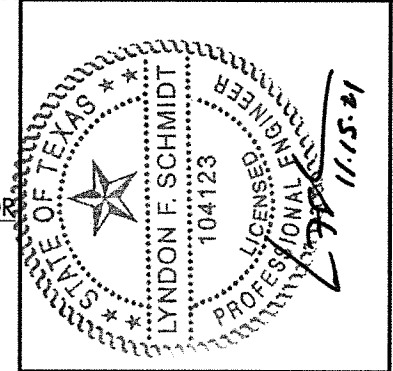
#10 X 2.5" PFH WOOD SCREW OR  
1/4" X 2-3/4" DeWALT OR ITW CONCRETE SCREW

**1** VERTICAL CROSS SECTION  
**4** Inswing Adjustable Threshold

**2** VERTICAL CROSS SECTION  
**4** Inswing Articulating Threshold

**3** VERTICAL CROSS SECTION  
**4** Outswing Bump Threshold

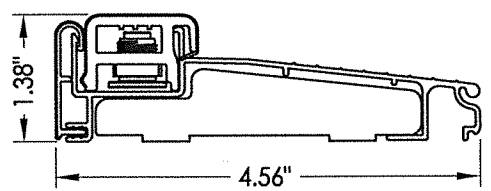
**4** VERTICAL CROSS SECTION  
**4** Outswing Bump Threshold



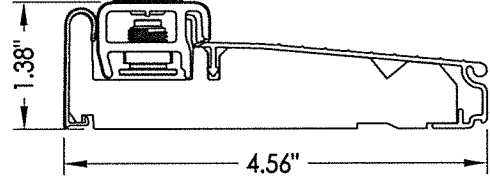
Documents Prepared By: Lyndon F. Schmidt, P.E.  
TEXAS P.E. #104123

**RW** BUILDING CONSULTANTS, INC.  
P.O. Box 230 Valrico FL 33595  
Phone No.: 813.659.9197

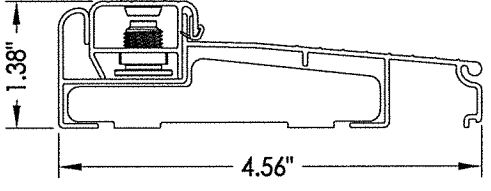
TEXAS BOARD OF PROFESSIONAL ENGINEERS  
CERTIFICATE OF REGISTRATION # F-11852



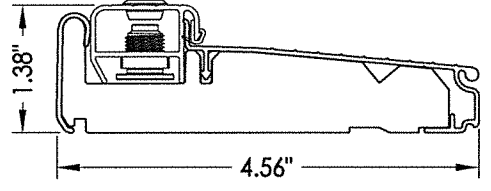
**1** INSWING ADJUSTABLE THRESHOLD  
ZAIL4565



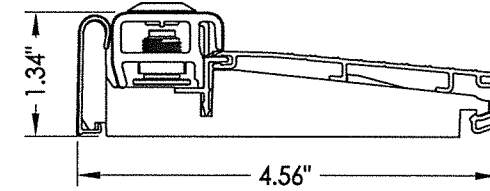
**2** INSWING ADJUSTABLE THRESHOLD  
ZAI4565FN



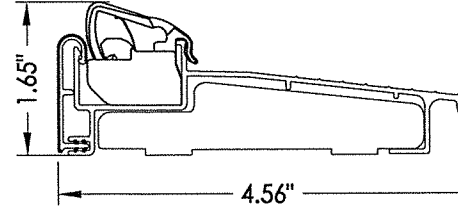
**3** INSWING ADJUSTABLE THRESHOLD  
ZAILAA4565



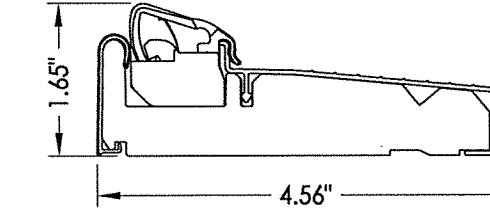
**4** INSWING ADJUSTABLE THRESHOLD  
ZAI4565FN



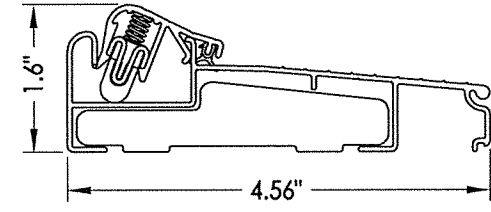
**5** INSWING ADJUSTABLE THRESHOLD  
ZAI4565RDS  
MAX. DESIGN PRESSURE = ±50 PSF



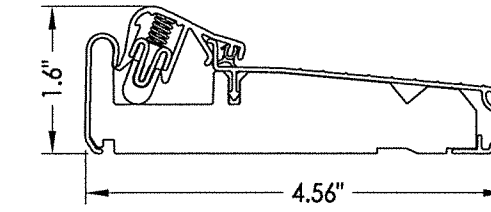
**6** INSWING ARTICULATING THRESHOLD  
ZACL4565



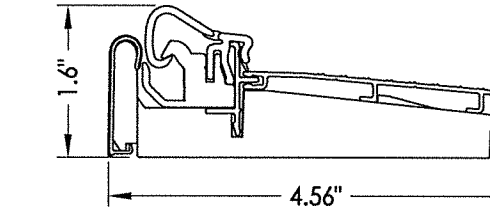
**7** INSWING ARTICULATING THRESHOLD  
ZAC4565FN



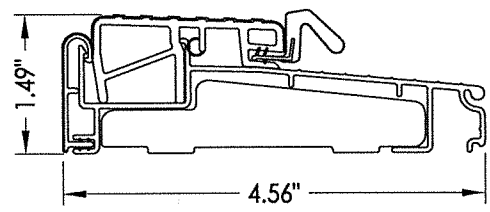
**8** INSWING ARTICULATING THRESHOLD  
ZACAA4565



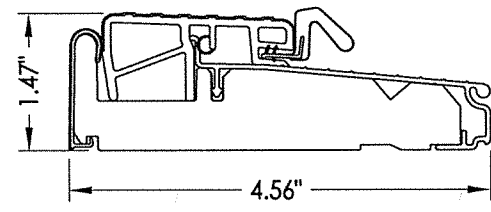
**9** INSWING ARTICULATING THRESHOLD  
ZACAA4565FN



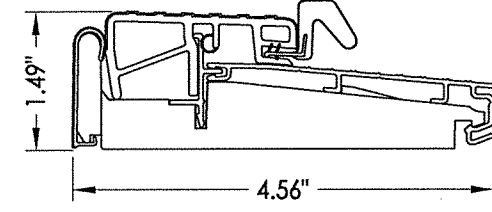
**10** INSWING ARTICULATING THRESHOLD  
ZAC4565RDS  
MAX. DESIGN PRESSURE = ±45 PSF



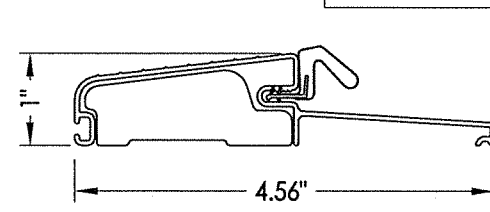
**11** OUTSWING THRESHOLD  
ZOBL4565



**12** OUTSWING THRESHOLD  
ZOB4565FN



**13** OUTSWING THRESHOLD  
ZOB4565RDS  
MAX. DESIGN PRESSURE = ±55 PSF

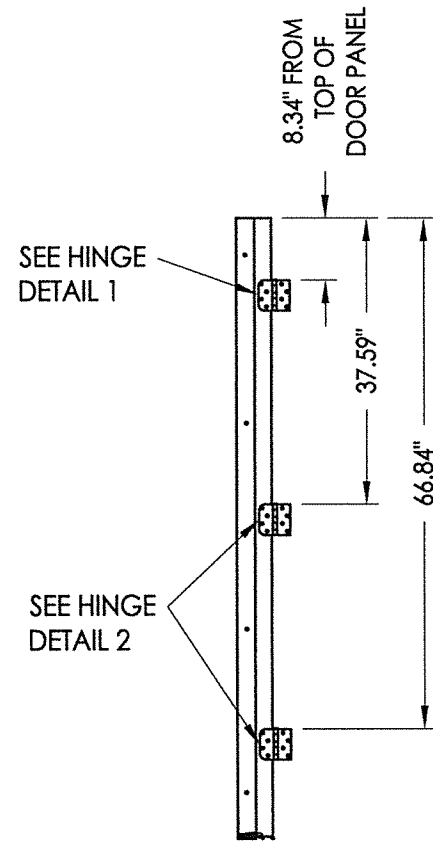


**14** OUTSWING THRESHOLD  
FOB4566

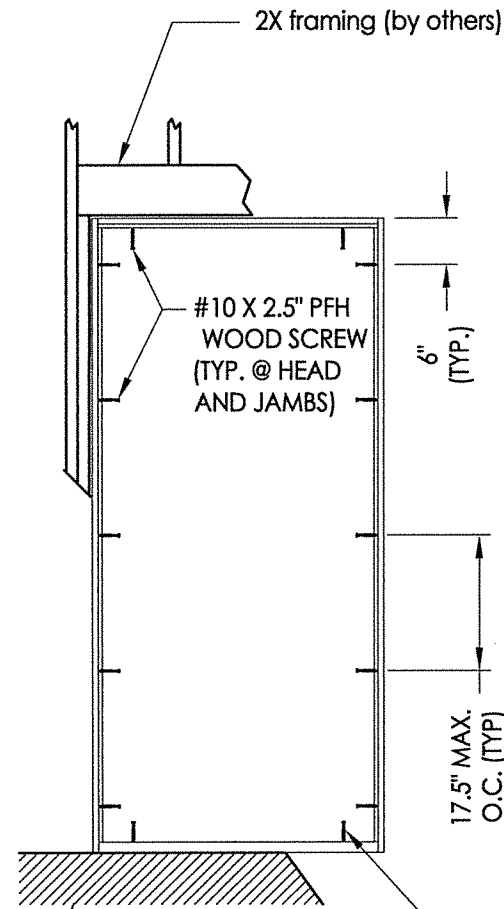
PRODUCT:	ENDURA	
PART OR ASSEMBLY:	VERTICAL CROSS SECTIONS	
NO.	DATE	BY
1	11/10/21	LFS
UPDATE TO 2018 IBC/IRC CODE		
REVISIONS		
DATE:	11/8/18	
SCALE:	N.T.S.	
DWG. BY:	MT	
CHK. BY:	LFS	
DRAWING NO.:	TX-4910	
SHEET	4	OF 5

© 2018 R.W. BUILDING CONSULTANTS INC.

Z:\Clients\Endura PERMANENT B - Texas Dept of Ins\TDI - DR-1021 Flush GLZ Plastpro FG door (4910-4915)\C - Drawings\TX-4910,13.dwg

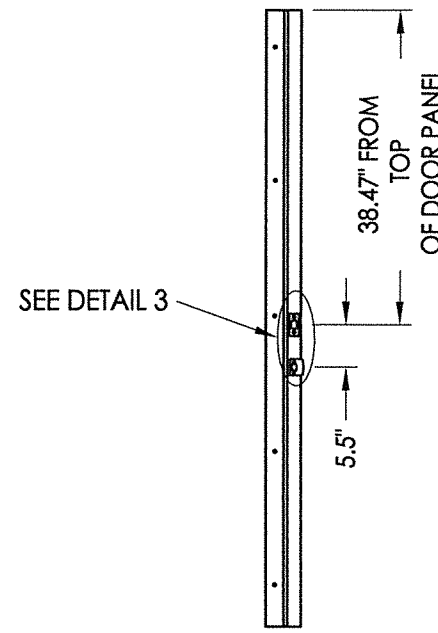


**HINGE JAMB**

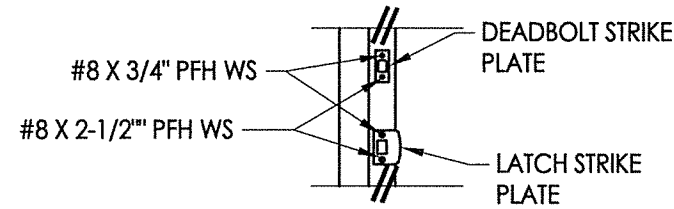


**FRAME ANCHORING**

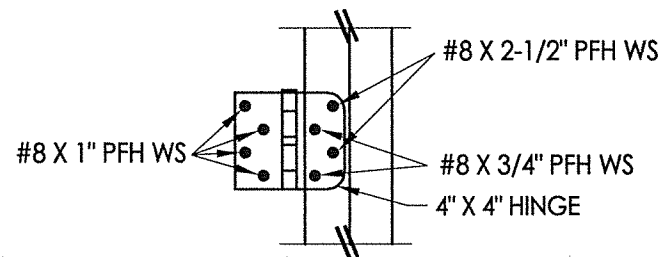
FLOOR SUBSTRATE MATERIAL (TYP.)  
CONCRETE (MIN. 3000 PSI)  
WOOD (G >= 0.42)



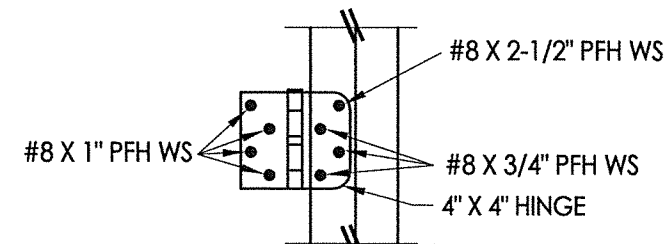
**STRIKE JAMB**



**DETAIL 3**  
Lock strike plates



**HINGE DETAIL 1**

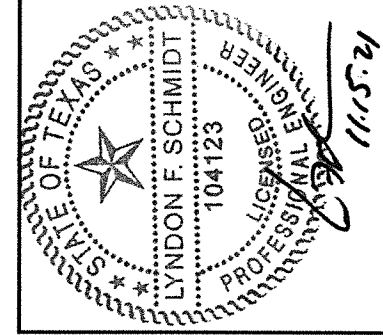


**HINGE DETAIL 2**

**CONCRETE ANCHOR NOTES:**

1. Concrete anchor locations at the corners may be adjusted to maintain the min. edge distance to mortar joints.
2. Concrete anchor locations noted as "MAX. ON CENTER" must be adjusted to maintain the min. edge distance to mortar joints, additional concrete anchors may be required to ensure the "MAX. ON CENTER" dimension are not exceeded.
3. Concrete anchor table:

ANCHOR TYPE	ANCHOR SIZE	MIN. EMBEDMENT	MIN. CLEARANCE TO MASONRY EDGE	MIN. CLEARANCE TO ADJACENT ANCHOR
ITW TAPCON®	1/4"	1-3/4"	2-1/2"	3"
DeWALT ULTRACON+®	1/4"	1-3/4"	1"	3"



Documents Prepared By: Lyndon F. Schmidt, P.E.  
TEXAS P.E. #104123

**RW** BUILDING CONSULTANTS, INC.  
P.O. Box 230 Vairico FL, 33595  
Phone No.: 813.659.9197  
TEXAS BOARD OF PROFESSIONAL ENGINEERS  
CERTIFICATE OF REGISTRATION # F-11852

PRODUCT:	ENDURA	
PART OR ASSEMBLY:	FRAME ANCHORING	
NO.	DATE	BY
1	11/10/21	LFS
UPDATE TO 2018 IBC/IRC CODE		
REVISIONS		
DATE:	11/8/18	
SCALE:	N.T.S.	
DWG. BY:	MT	
CHK. BY:	LFS	
DRAWING NO.:	TX-4910	
SHEET	5 OF 5	