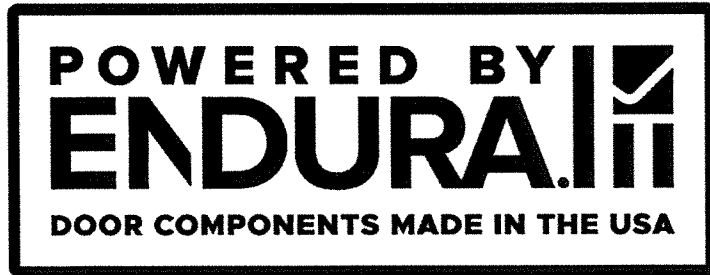


Z:\Clients\Endura PERMANENT\B - Texas Dept of Ins\TDI - DR-1013 Opaque JELD-WEN FG door XX (LK, DB) (4898-4899)\C - Drawings\TX-4898-99.dwg



Opaque Fiberglass Door

"NON-IMPACT"
INSWING / OUTSWING

TDI DR-1013

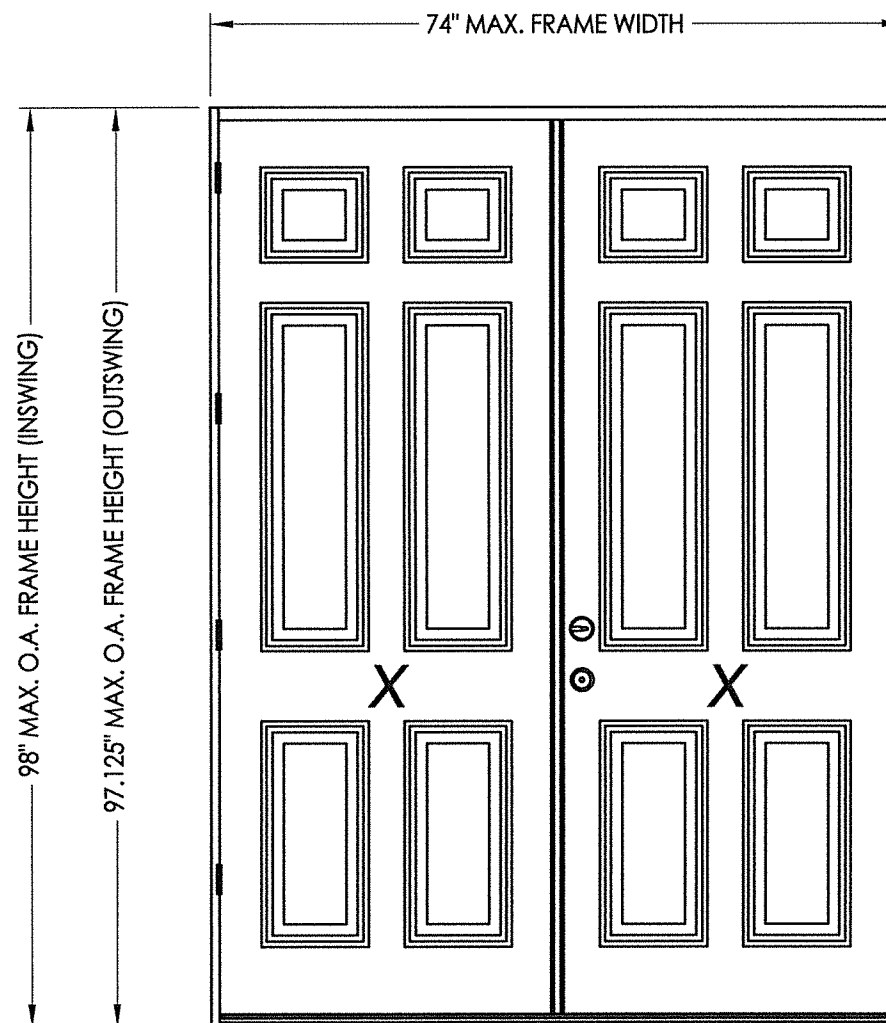
EVALUATED FOR USE IN THE STATE OF TEXAS

The Fiberglass Door system described herein complies with the 2018 International Residential Code (IRC), Sections R301 & R609 and the 2018 International Building Code (IBC), Sections 1404.13, 1609, 1709.5, 2403 and 2404 subject to the following conditions:

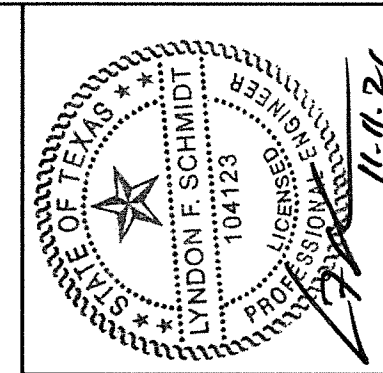
1. Anchors shall be as listed and spaced as shown in the details. Anchor embedment to base material shall be beyond wall dressing or stucco.
2. When used in areas requiring wind-borne debris protection this product is required to be protected with an impact resistant covering that complies with Section R301.2.1.2 of the IRC and Section 1609.1.2 of the IBC.
3. Allowable design pressure requirements must be equal to or less than the design pressure rating shown in the design pressure chart, sheet 1 of this drawing.
4. Conditions not covered by this drawing are subject to further engineering analysis.

TABLE OF CONTENTS

SHEET #	DESCRIPTION
1	Typical elevations, design pressures & general notes
2	Astragal details
3	Door panel details
4	Horizontal & vertical cross sections
5	Vertical cross sections
6	Frame anchoring



CONFIG.	MODEL	DESIGN PRESSURE (PSF)	
		POSITIVE	NEGATIVE
XX	INSWING	+40.0	-45.0
	OUTSWING	+45.0	-45.0

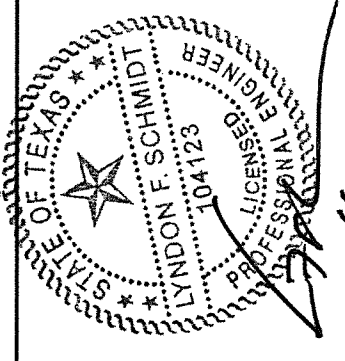
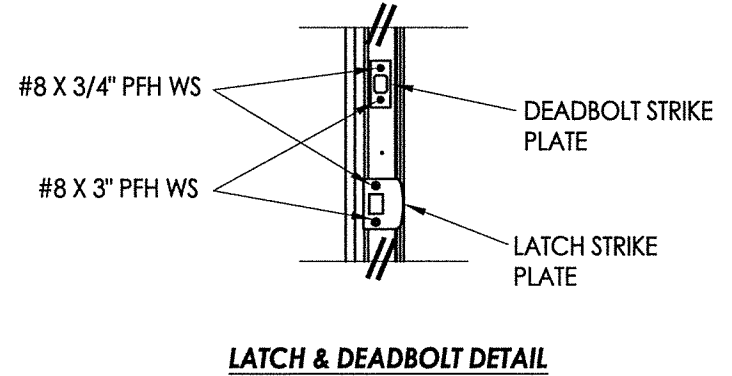
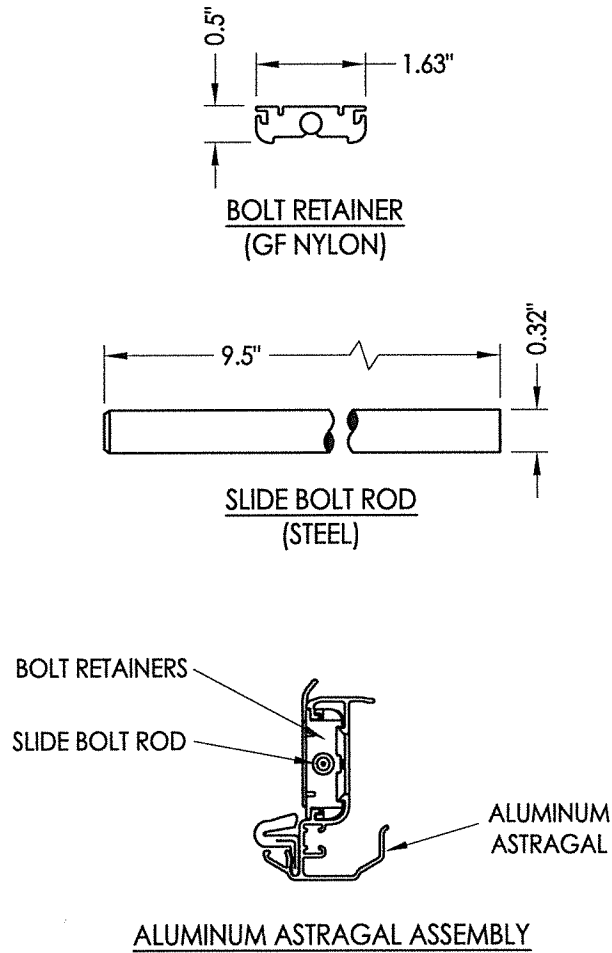
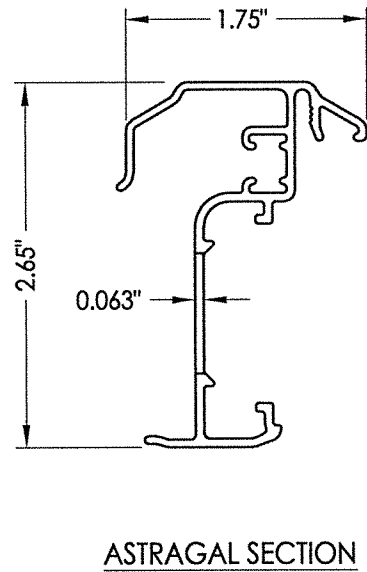
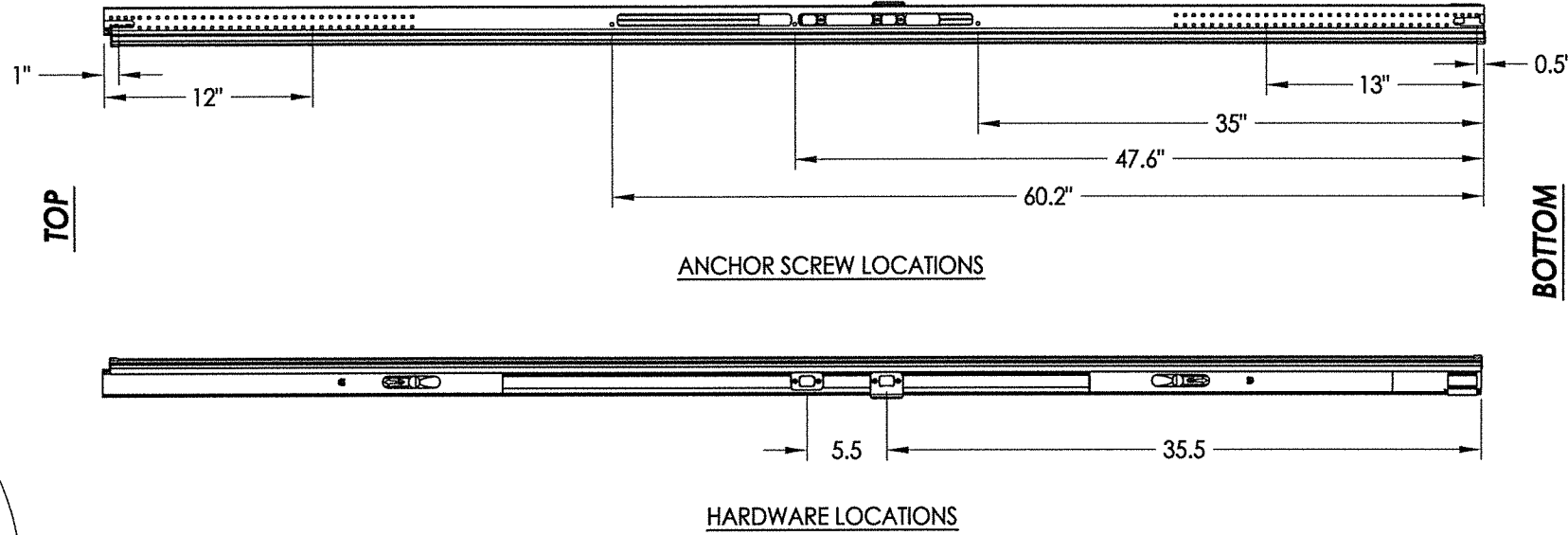
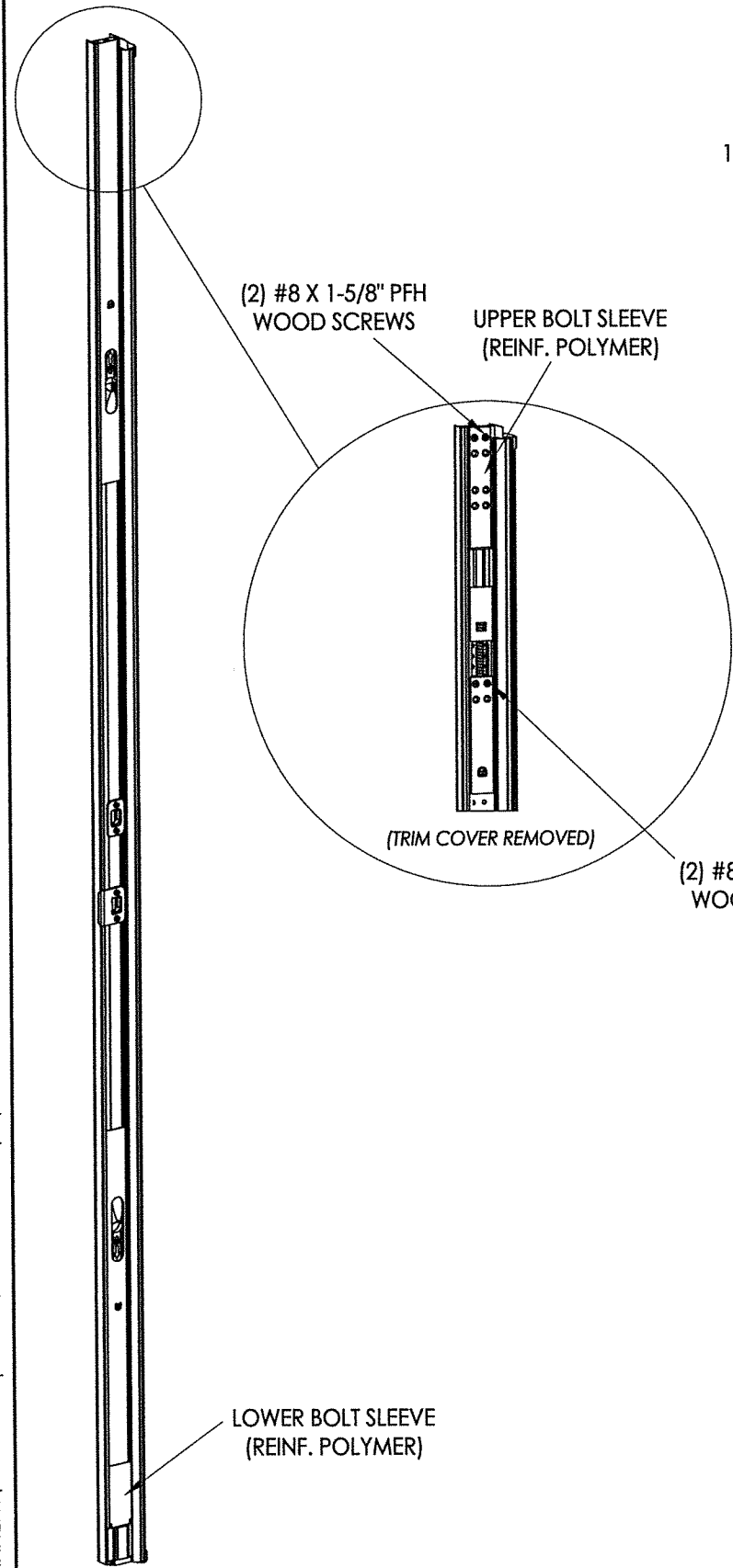


Documents Prepared By: Lyndon F. Schmidt, P.E.
TEXAS P.E. #104123

RW BUILDING CONSULTANTS, INC.
P.O. Box 230 Vairico FL 33595
Phone No.: 813.659.9197
TEXAS BOARD OF PROFESSIONAL ENGINEERS
CERTIFICATE OF REGISTRATION # F-11852

PRODUCT:	ENDURA	
PART OR ASSEMBLY:	TYPICAL ELEVATION, DESIGN PRESSURES & GENERAL NOTES	
NO.	DATE	BY
1	11/10/21	LFS
REVISIONS		
DATE:	11/06/18	
SCALE:	N.T.S.	
DWG. BY:	JK	
CHK. BY:	LFS	
DRAWING NO.:	TX-4899	
SHEET	1	OF 6

Z:\Clients\Endura PERMANENT\B - Texas Dept of Ins\TDI - DR-1013 Opaque JELD-WEN FG door XX (LK, DB) (4898-4899)\C - Drawings\TX-4898-99.dwg



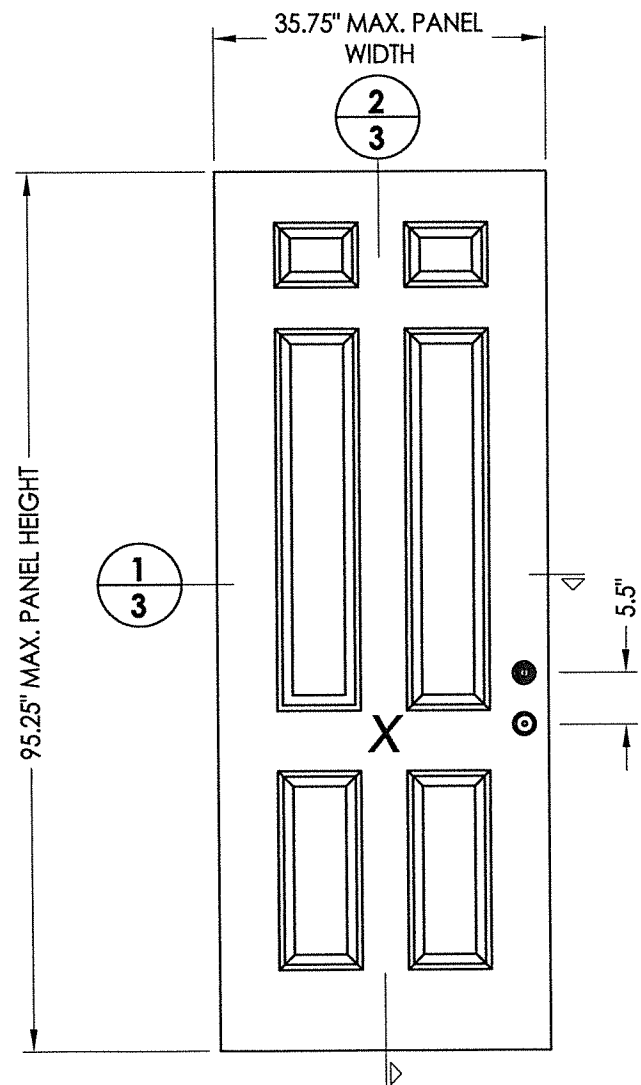
Documents Prepared By: Lyndon F. Schmidt, P.E.
TEXAS P.E. #104123

RW BUILDING CONSULTANTS, INC.
P.O. Box 230 Valrico FL 33595
Phone No.: 813.659.9197

TEXAS BOARD OF PROFESSIONAL ENGINEERS
CERTIFICATE OF REGISTRATION # F-11852

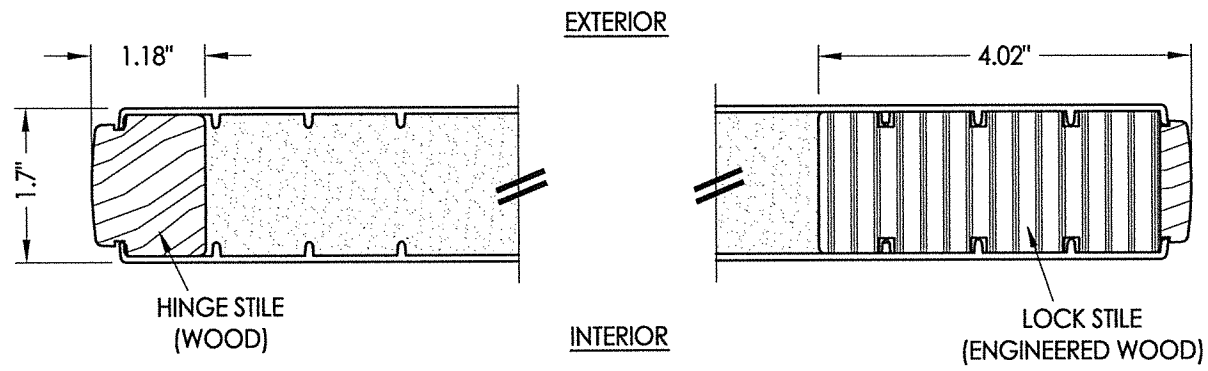
PRODUCT:	ENDURA	
PART OR ASSEMBLY:	ASTRAGAL DETAILS	
NO.	DATE	BY
1	11/10/21	LFS
UPDATE TO 2018 IBC/IRC CODE		
REVISIONS		
DATE:	11/06/18	
SCALE:	N.T.S.	
DWG. BY:	JK	
CHK. BY:	LFS	
DRAWING NO.:	TX-4899	
SHEET	2	OF 6

Z:\Clients\Endura PERMANENT\B - Texas Dept of Ins\TDI - DR-1013 Opaque JELD-WEN FG door XX (LK, DB) (4898-4899)\C - Drawings\TX-4898-99.dwg

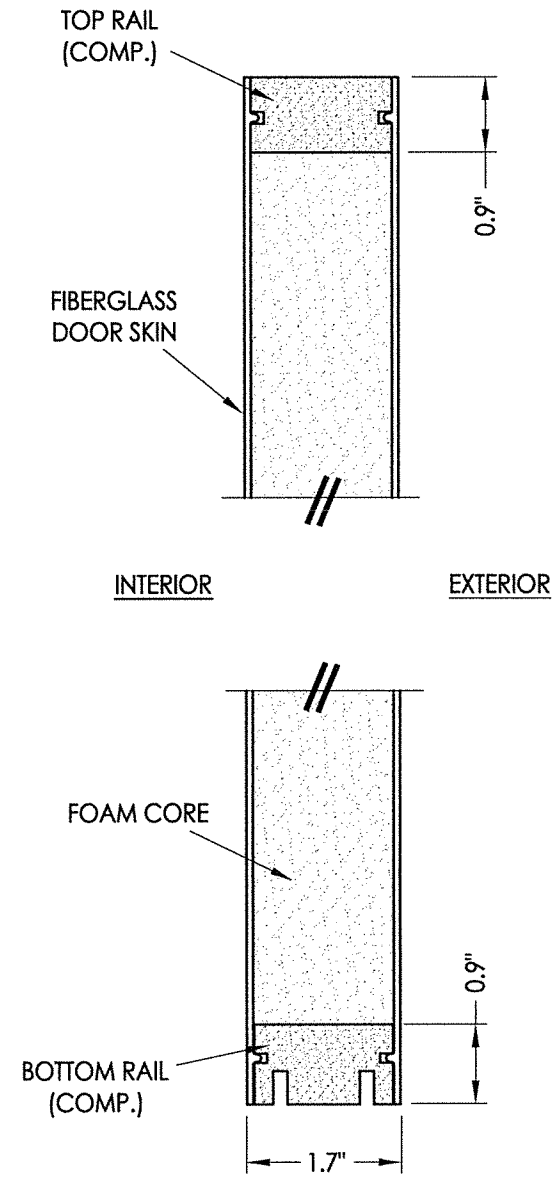


40 DOOR PANEL
JELD-WEN
Fiberglass

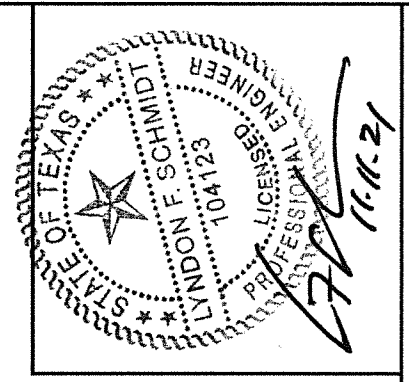
DOOR SKIN: FIBERGLASS (0.075" MIN. THICKNESS)
CORE MATERIAL: POLYURETHANE FOAM



1
3 HORIZONTAL CROSS SECTION



2
3 VERTICAL CROSS SECTION



Documents Prepared By: Lyndon F. Schmidt, P.E.
TEXAS P.E. #104123

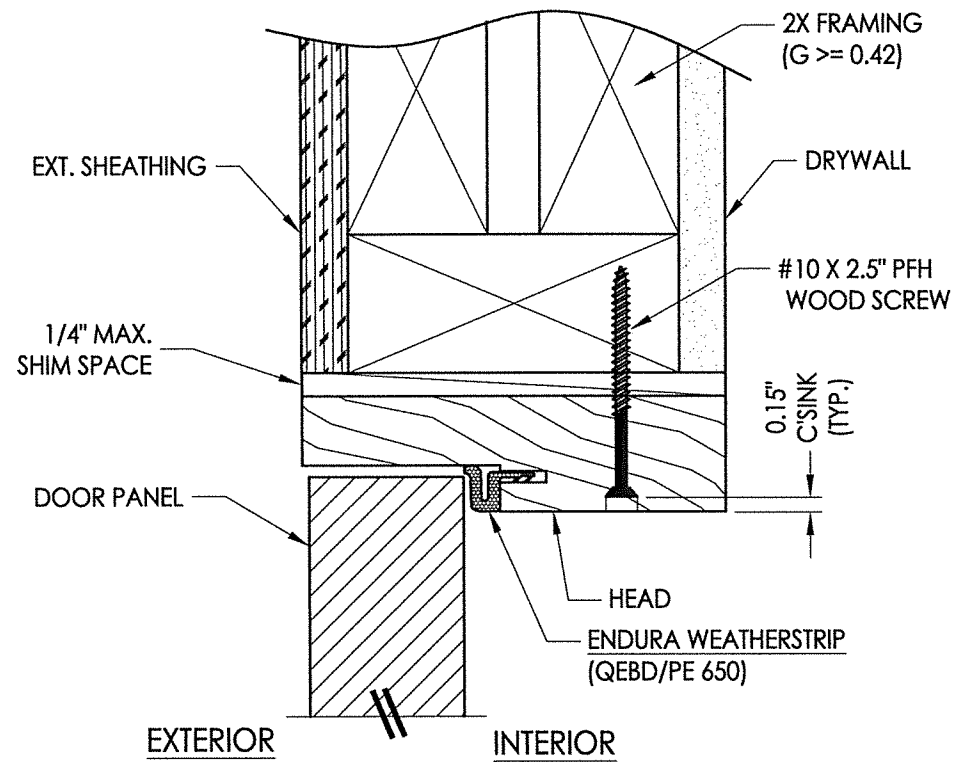
RW BUILDING CONSULTANTS, INC.
P.O. Box 230 Vairico FL 33595
Phone No.: 813.659.9197
TEXAS BOARD OF PROFESSIONAL ENGINEERS
CERTIFICATE OF REGISTRATION # F-11852

PRODUCT:	ENDURA
PART OR ASSEMBLY:	DOOR PANEL DETAILS

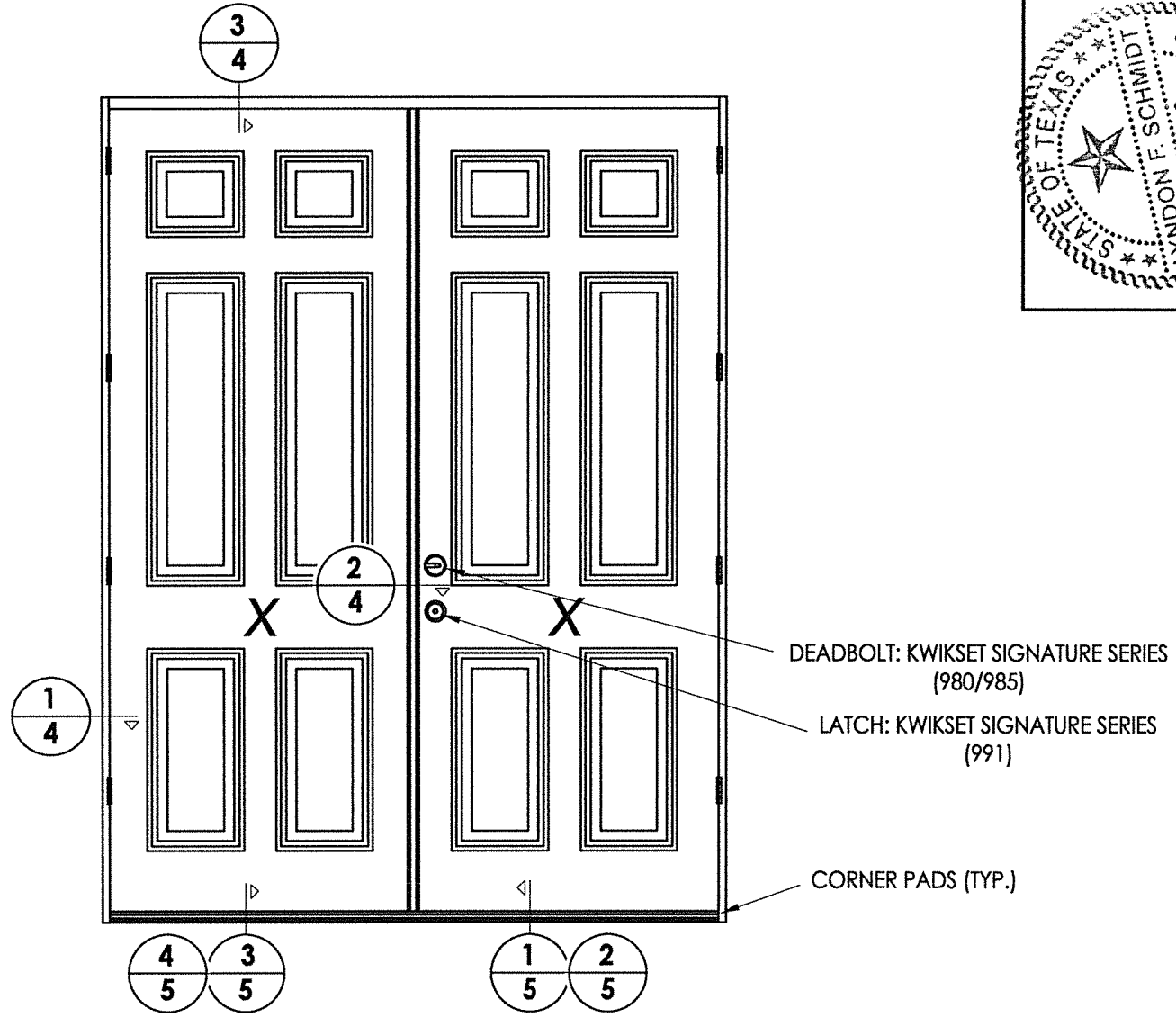
NO.	DATE	DESCRIPTION	BY
1	11/10/21	UPDATE TO 2018 IBC/IRC CODE	LFS

DATE:	11/06/18
SCALE:	N.T.S.
DWG. BY:	JK
CHK. BY:	LFS
DRAWING NO.:	TX-4899
SHEET	3 OF 6

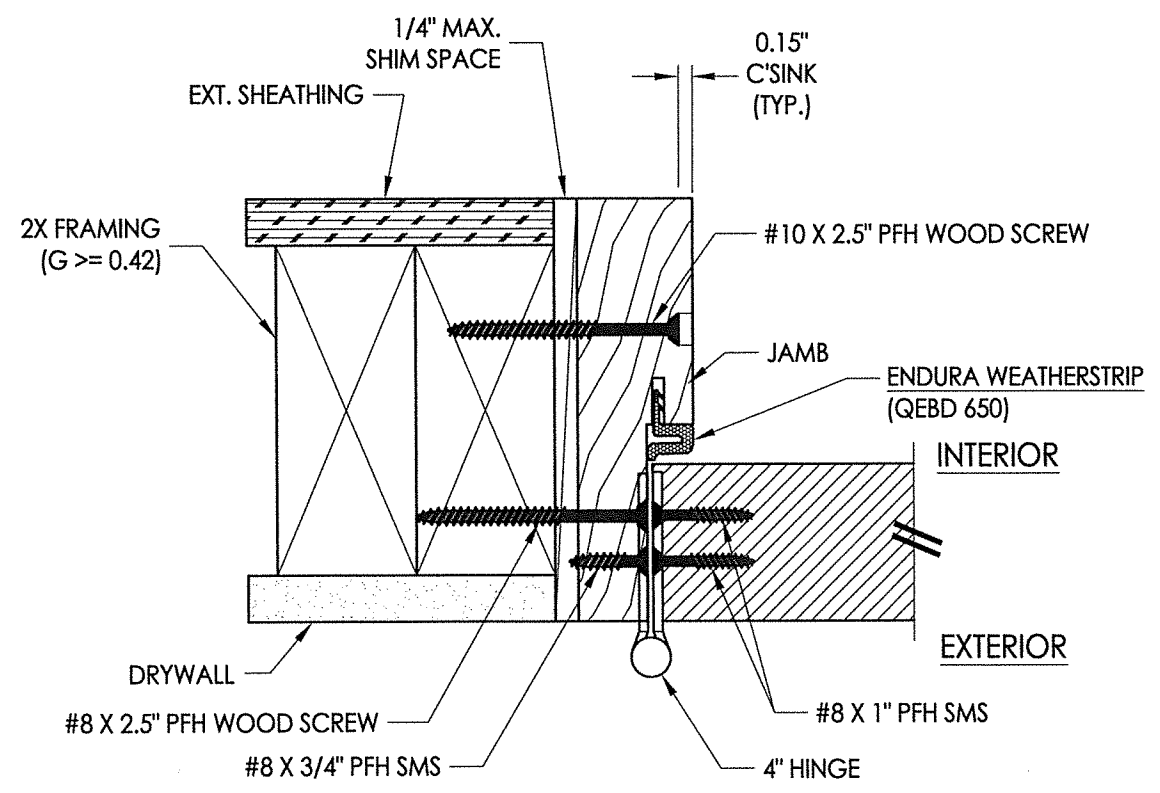
Z:\Clients\Endura PERMANENT\B - Texas Dept of Ins\TDI - DR-1013 Opaque JELD-WEN FG door XX (LK, DB) (4898-4899)\C - Drawings\TX-4898-99.dwg



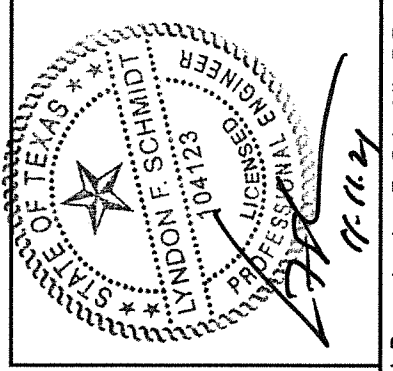
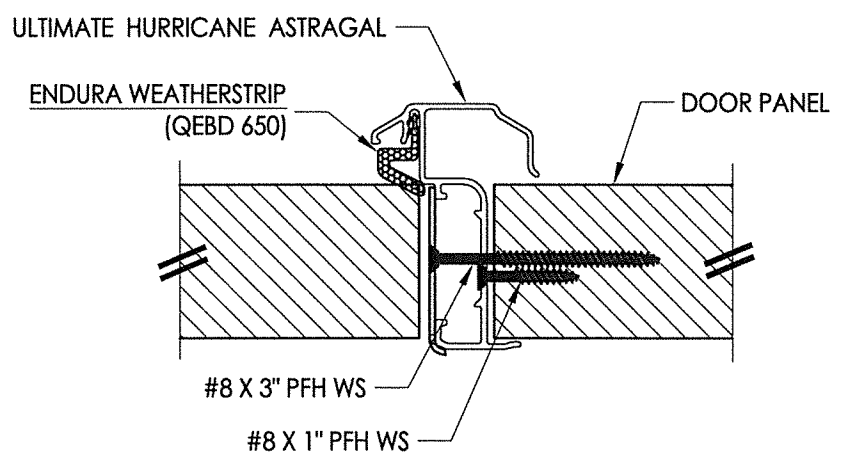
3 VERTICAL CROSS SECTION
4 Outswing shown - inswing also approved



2 HORIZONTAL CROSS SECTION
4



1 HORIZONTAL CROSS SECTION
4 Inswing shown - Outswing also approved



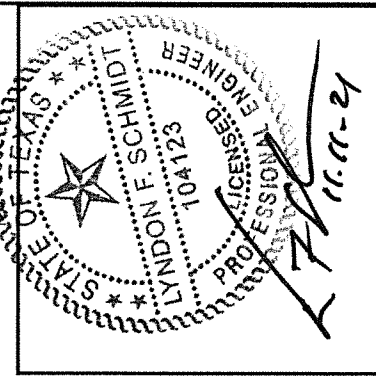
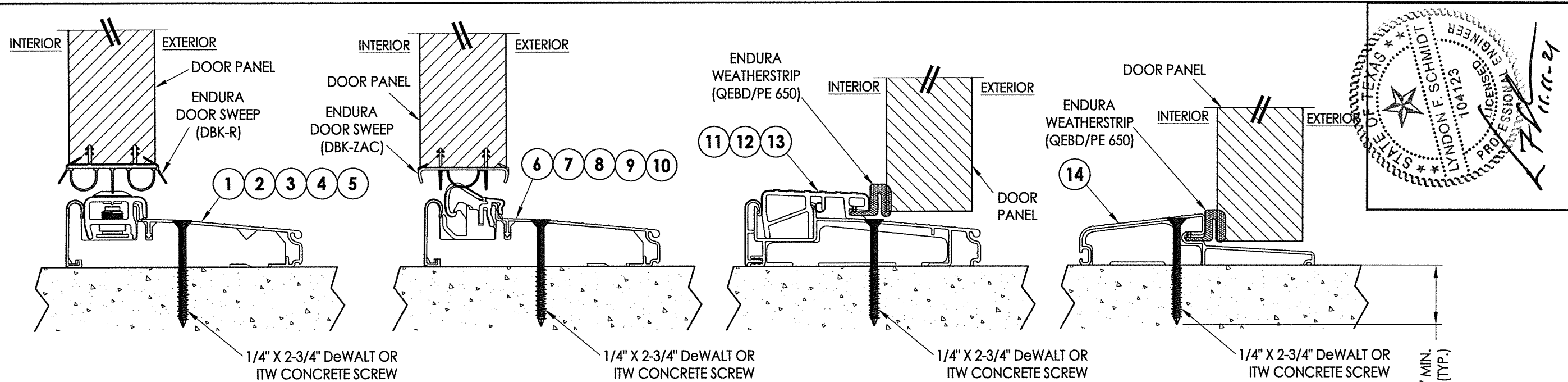
Documents Prepared By: Lyndon F. Schmidt, P.E.
TEXAS P.E. #104123
R.W. BUILDING CONSULTANTS, INC.
P.O. Box 230 Valrico FL 33595
Phone No.: 813.659.9197
TEXAS BOARD OF PROFESSIONAL ENGINEERS
CERTIFICATE OF REGISTRATION # F-11852

PRODUCT: ENDURA
PART OR ASSEMBLY: HORIZONTAL & VERTICAL CROSS SECTIONS

NO.	DATE	BY
1	11/10/21	LFS
UPDATE TO 2018 IBC/IRC CODE		

DATE: 11/06/18
SCALE: N.T.S.
DWG. BY: JK
CHK. BY: LFS
DRAWING NO.: TX-4899
SHEET 4 OF 6

Z:\Clients\Endura PERMANENT\B - Texas Dept of Ins\TDI - DR-1013 Opaque JELD-WEN FG door XX (LK, DB) (4898-4899)\C - Drawings\TX-4898-99.dwg



Documents Prepared By: Lyndon F. Schmidt, P.E.
TEXAS P.E. #104123

RW BUILDING CONSULTANTS, INC.
P.O. Box 230 Valrico FL 33595
Phone No.: 813.659.9197

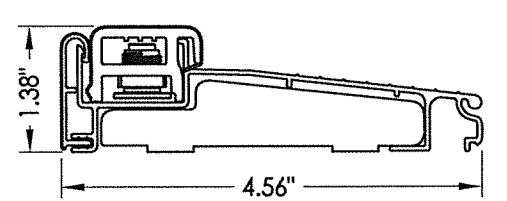
TEXAS BOARD OF PROFESSIONAL ENGINEERS
CERTIFICATE OF REGISTRATION # F-11852

1 VERTICAL CROSS SECTION
5 Inswing Adjustable Threshold

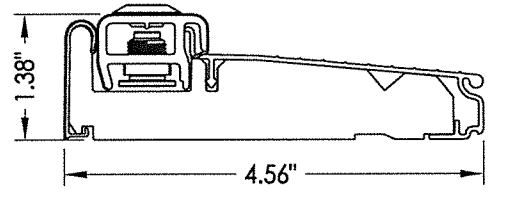
2 VERTICAL CROSS SECTION
5 Inswing Articulating Threshold w/ Pin Capture

3 VERTICAL CROSS SECTION
5 Outswing Bump Threshold

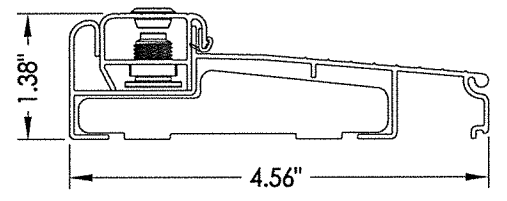
4 VERTICAL CROSS SECTION
5 Outswing Bump Threshold



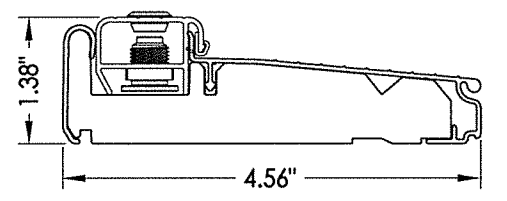
1 INSWING ADJUSTABLE THRESHOLD
ZAIL4565



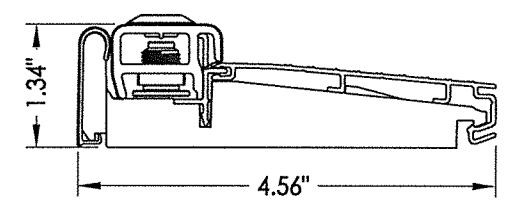
2 INSWING ADJUSTABLE THRESHOLD
ZAI4565FN
MAX. DESIGN PRESSURE = +30/-35 PSF



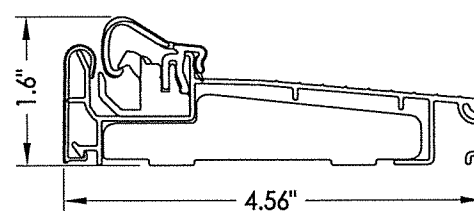
3 INSWING ADJUSTABLE THRESHOLD
ZAILAA4565



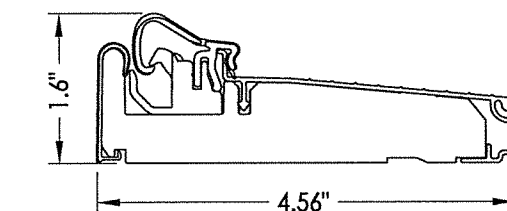
4 INSWING ADJUSTABLE THRESHOLD
ZAI4565FN
MAX. DESIGN PRESSURE = +30/-35 PSF



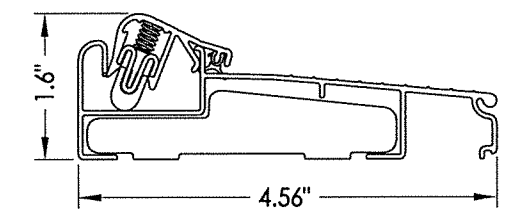
5 INSWING ADJUSTABLE THRESHOLD
ZAI4565RDS
MAX. DESIGN PRESSURE = +30/-35 PSF



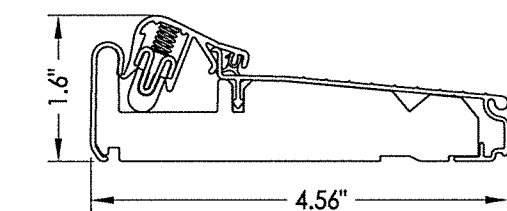
6 INSWING ARTICULATING THRESHOLD
ZACL4565
MAX. DESIGN PRESSURE = +30/-35 PSF



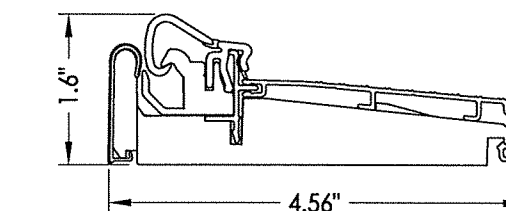
7 INSWING ARTICULATING THRESHOLD
ZAC4565FN
MAX. DESIGN PRESSURE = +30/-35 PSF



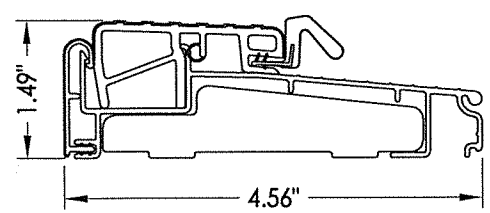
8 INSWING ARTICULATING THRESHOLD
ZACLA4565
MAX. DESIGN PRESSURE = +30/-35 PSF



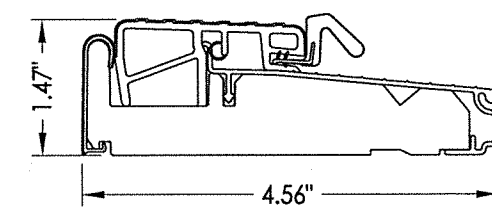
9 INSWING ARTICULATING THRESHOLD
ZACAA4565FN
MAX. DESIGN PRESSURE = +30/-35 PSF



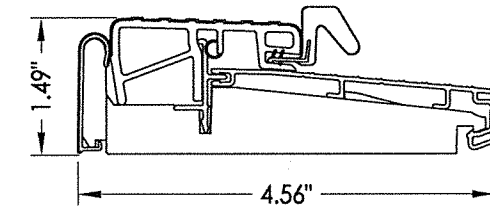
10 INSWING ARTICULATING THRESHOLD
ZAC4565RDS
MAX. DESIGN PRESSURE = +30/-35 PSF



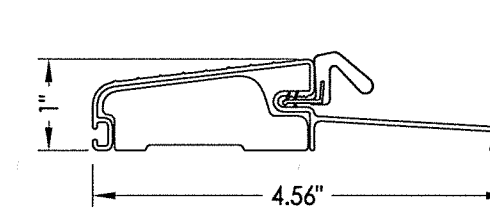
11 OUTSWING THRESHOLD
ZOBL4565



12 OUTSWING THRESHOLD
ZOB4565FN



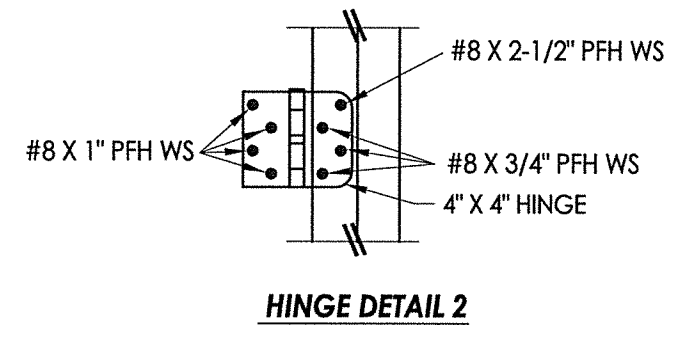
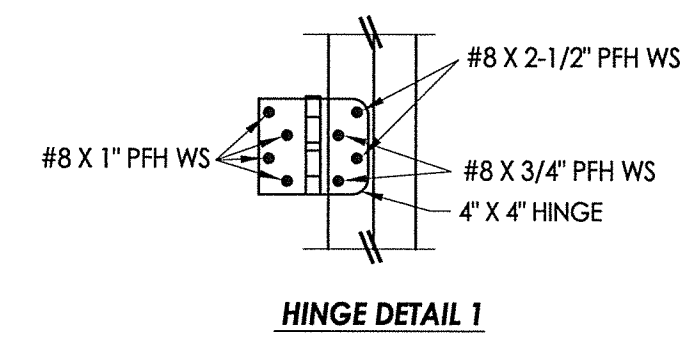
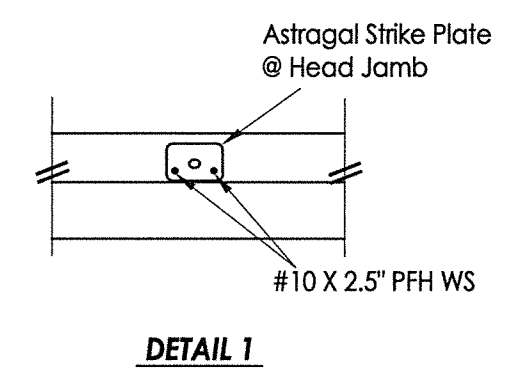
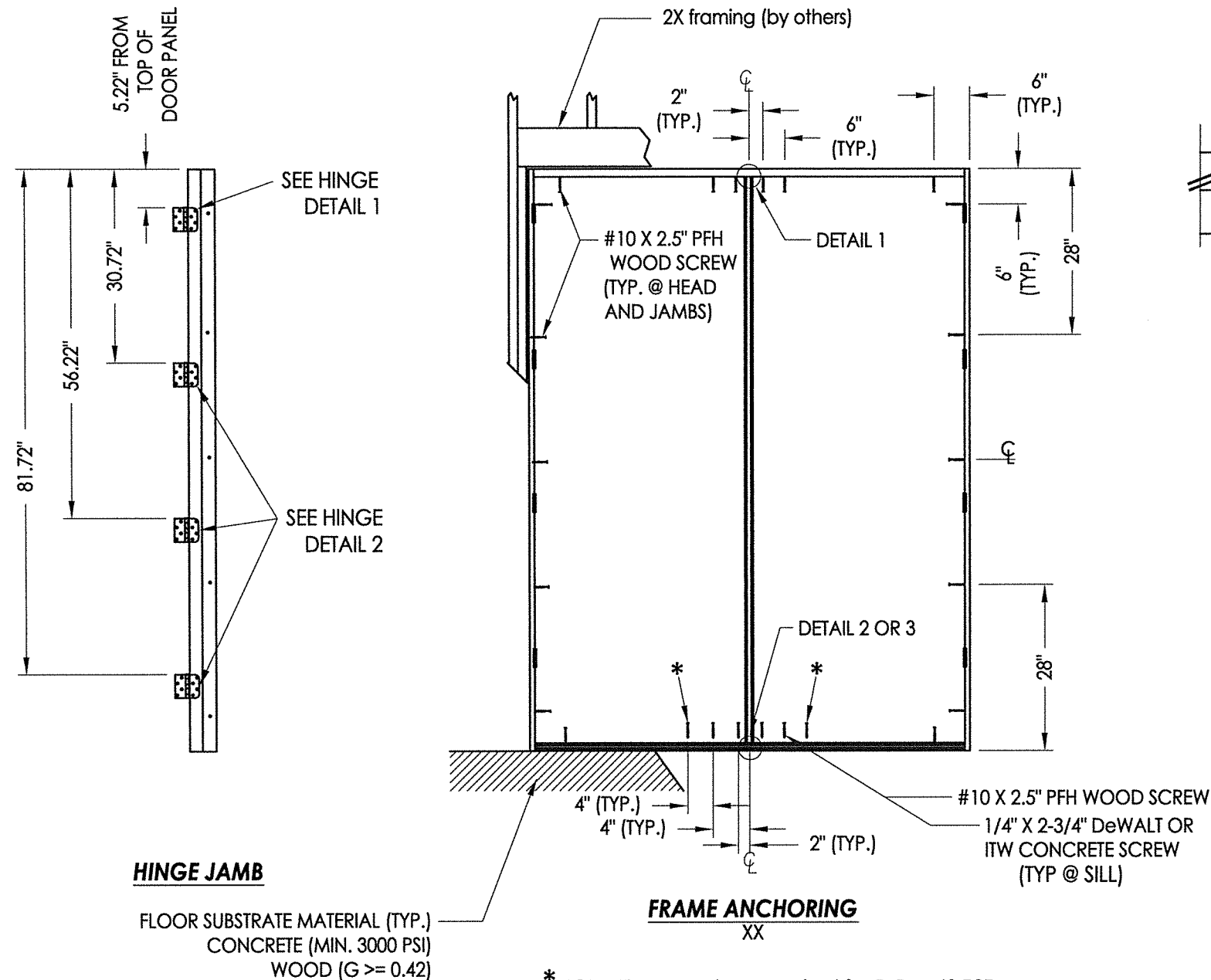
13 OUTSWING THRESHOLD
ZOB4565RDS



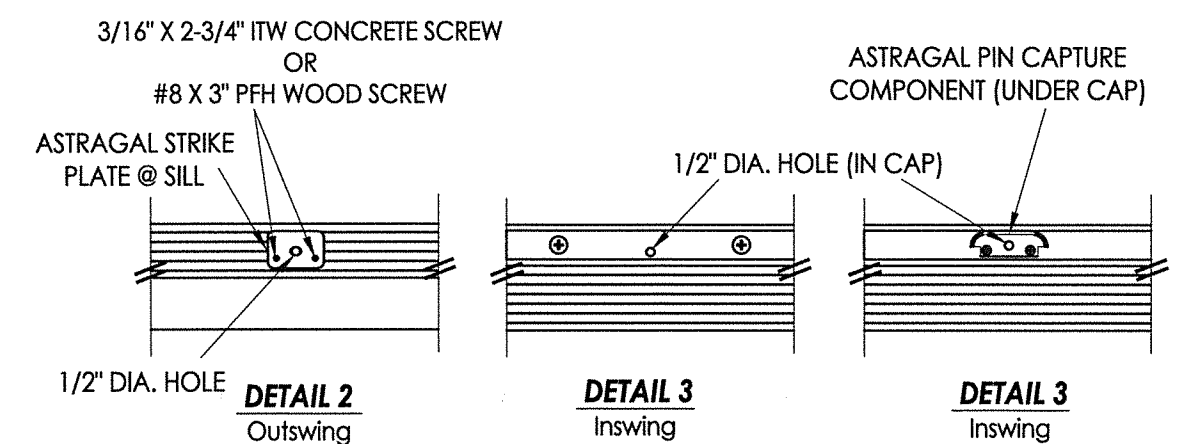
14 OUTSWING THRESHOLD
FOB4566

PRODUCT:	ENDURA	
PART OR ASSEMBLY:	VERTICAL CROSS SECTIONS	
NO.	DATE	BY
1	11/10/21	LFS
UPDATE TO 2018 IBC/IRC CODE		
REVISIONS		
DATE:	11/06/18	
SCALE:	N.T.S.	
DWG. BY:	JK	
CHK. BY:	LFS	
DRAWING NO.:	TX-4899	
SHEET	5	OF 6

© 2018 R.W. BUILDING CONSULTANTS INC.

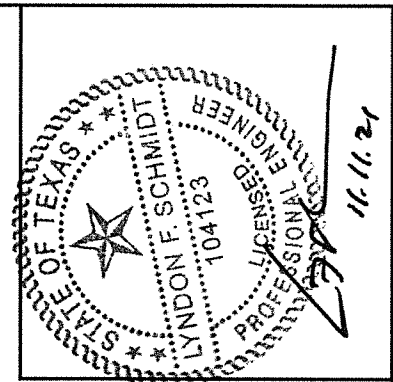


* NOTE: These anchors required for D.P. > 40 PSF.



- CONCRETE ANCHOR NOTES:**
1. Concrete anchor locations at the corners may be adjusted to maintain the min. edge distance to mortar joints.
 2. Concrete anchor locations noted as "MAX. ON CENTER" must be adjusted to maintain the min. edge distance to mortar joints, additional concrete anchors may be required to ensure the "MAX. ON CENTER" dimension are not exceeded.
 3. Concrete anchor table:

ANCHOR TYPE	ANCHOR SIZE	MIN. EMBEDMENT	MIN. CLEARANCE TO MASONRY EDGE	MIN. CLEARANCE TO ADJACENT ANCHOR
ITW TAPCON®	3/16"	1-3/4"	3"	1-1/2"
	1/4"	1-3/4"	1-1/2"	4"
DeWALT ULTRACON®	1/4"	1-3/4"	1"	4"



Documents Prepared By: Lyndon F. Schmidt, P.E.
TEXAS P.E. #104123

RW BUILDING CONSULTANTS, INC.
P.O. Box 230 Valrico FL 33595
Phone No.: 813.659.9197

TEXAS BOARD OF PROFESSIONAL ENGINEERS
CERTIFICATE OF REGISTRATION # F-11852

PRODUCT:	ENDURA
PART OR ASSEMBLY:	FRAME ANCHORING
NO.	1
DATE	11/10/21
UPDATE TO	2018 IBC/IRC CODE
BY	LFS
REVISIONS	

DATE: 11/06/18
SCALE: N.T.S.
DWG. BY: JK
CHK. BY: LFS
DRAWING NO.: TX-4899
SHEET 6 OF 6