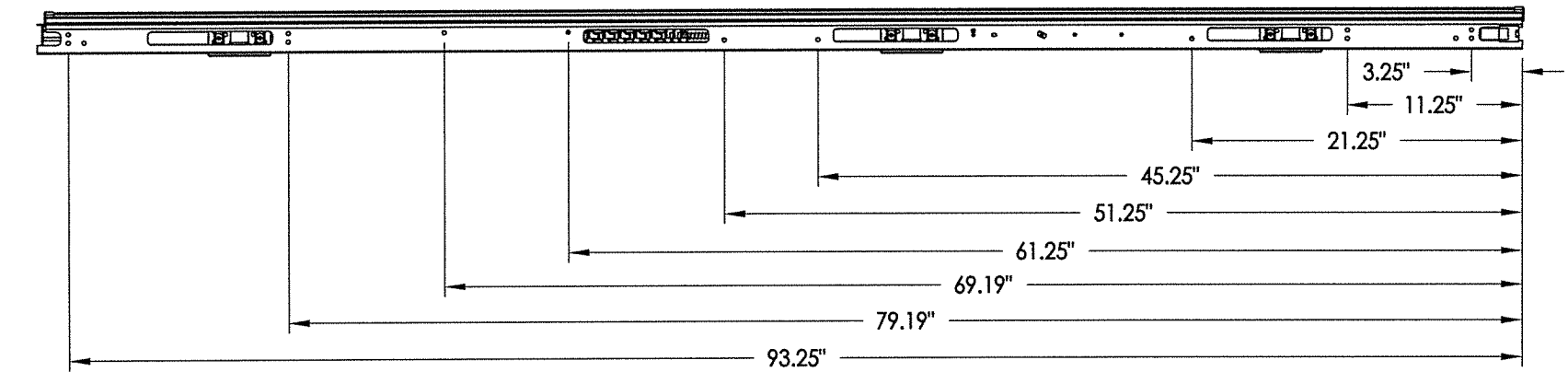
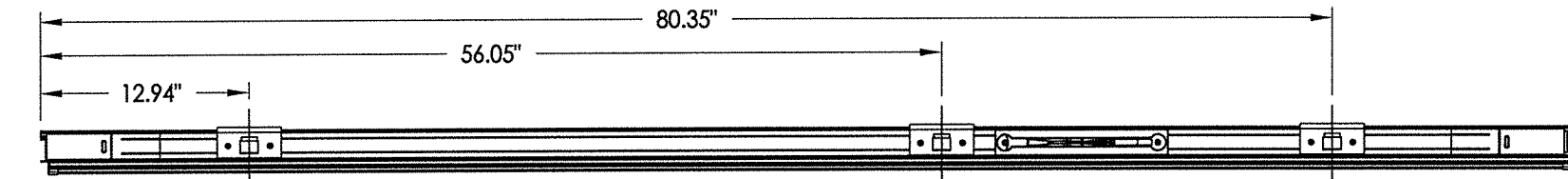


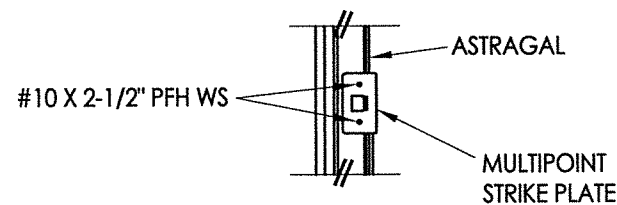
ULTIMATE TRILENNIUM ASTRAGAL



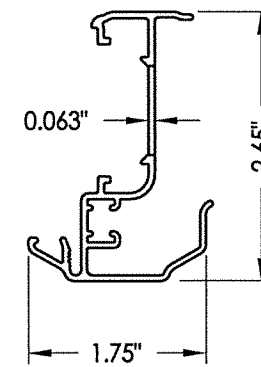
ANCHOR SCREW LOCATIONS



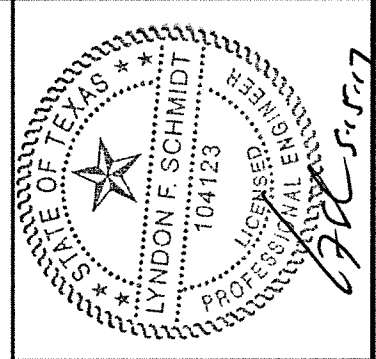
HARDWARE LOCATIONS



STRIKE PLATE DETAIL



Astragal Section



Documents Prepared By: Lyndon F. Schmidt, P.E.
TEXAS P.E. #104123

RW BUILDING CONSULTANTS, INC.
P.O. Box 230 Valrico FL 33595
Phone No.: 813.659.9197

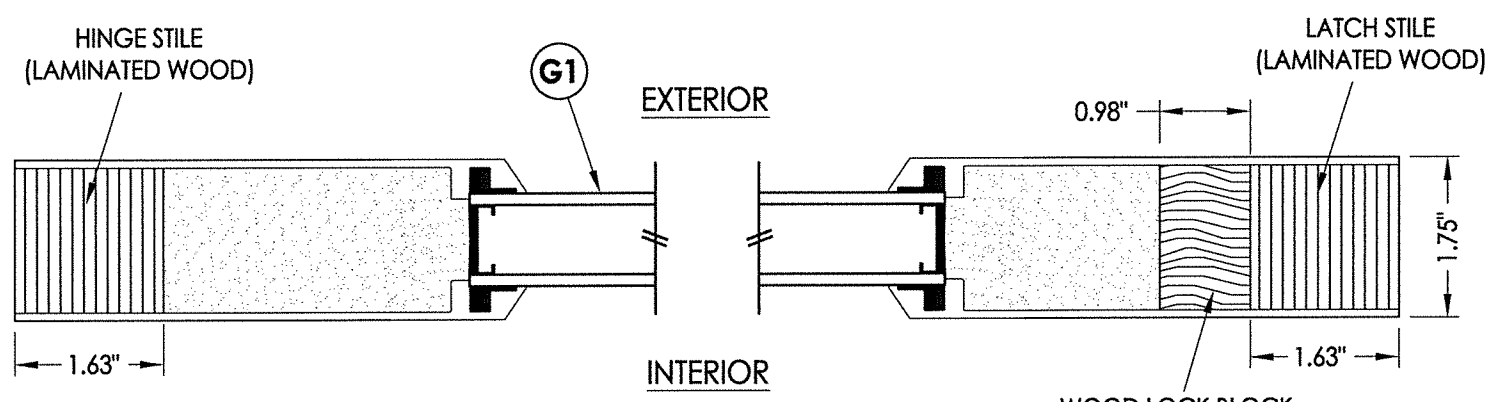
TEXAS BOARD OF PROFESSIONAL ENGINEERS
CERTIFICATE OF REGISTRATION # F-11852

PRODUCT:	ENDURA
PART OR ASSEMBLY:	ASTRAGAL DETAILS (ULTIMATE TRILENNIUM)

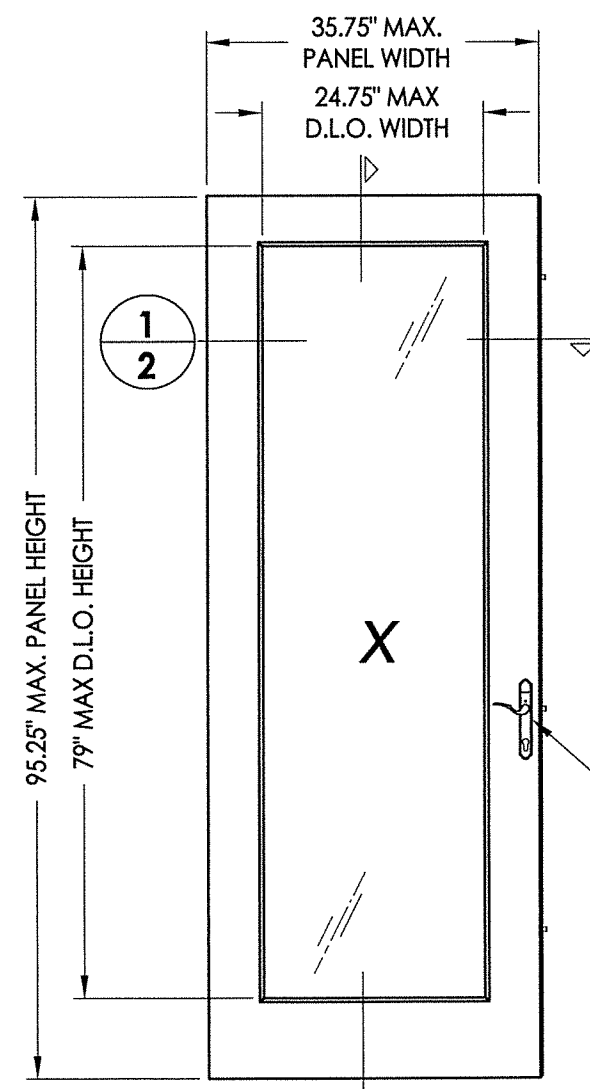
NO.	DATE	BY	REVISIONS

DATE:	4/27/17
SCALE:	N.T.S.
DWG. BY:	JK
CHK. BY:	LFS
DRAWING NO.:	TX-4694
SHEET	2 OF 6

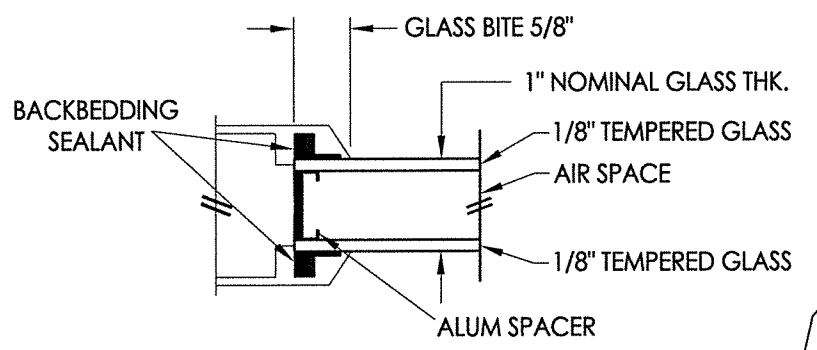
R:\Clients\Endura PERMANENTB - Texas Dept of Ins\TDI - Masonite (Sub ID xxxx) FG VG GLAZED (Trilennium)\C - Drawings\TX-4690.91.93.94.dwg, 3.2



1
2 **HORIZONTAL CROSS SECTION**

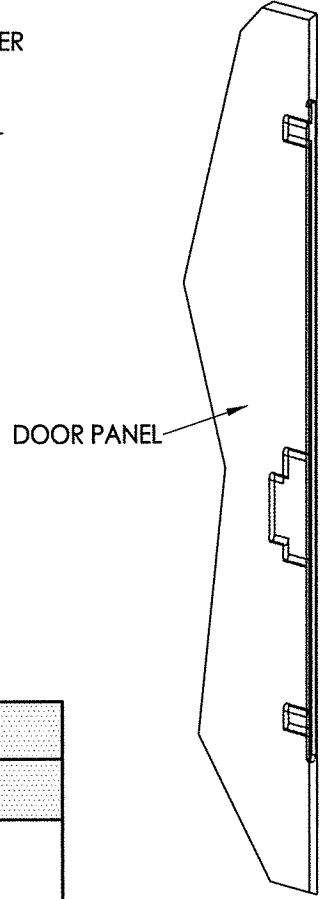


2
2
MASONITE
VistaGrande Flush Glazed
Fiberglass Door Panel

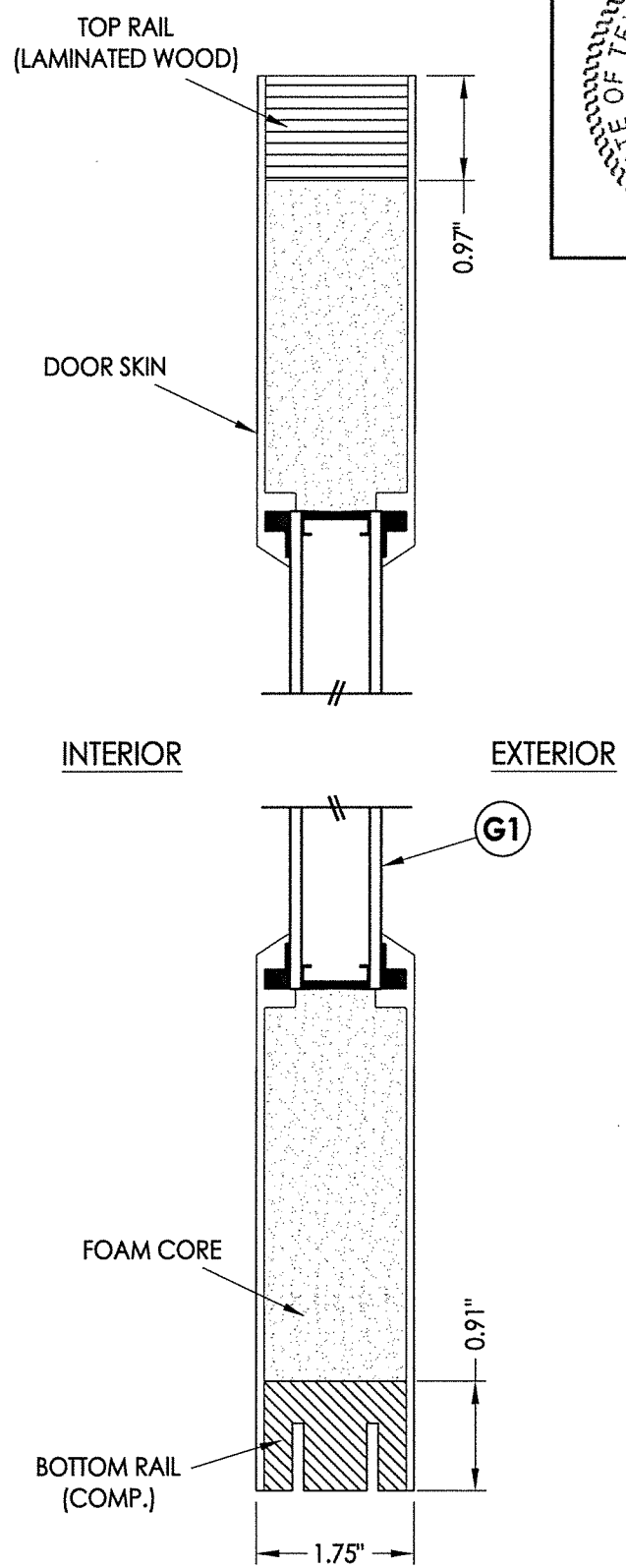


G1 **GLAZING DETAIL**
Flush Glazing

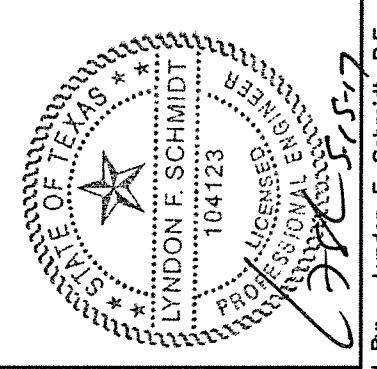
HARDWARE TABLE	
MANUFACTURER	MODEL
Endura	Trilennium® 3000 Series Multipoint Lock (3pt.)



TRILENNIUM
SERIES 3000 MULTIPPOINT
LOCKING SYSTEM



2
2 **VERTICAL CROSS SECTION**



Documents Prepared By: Lyndon F. Schmidt, P.E.
TEXAS P.E. #104123

RW BUILDING CONSULTANTS, INC.
P.O. Box 230 Valrico FL 33595
Phone No.: 813.659.9197

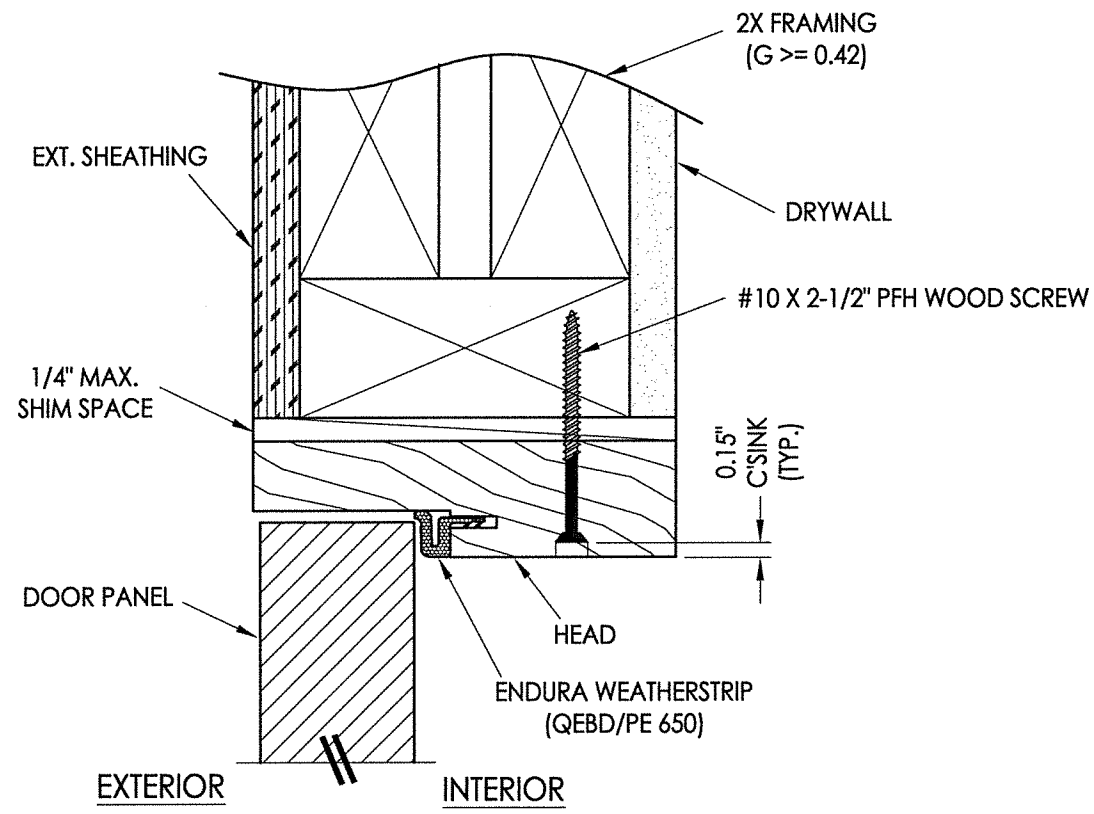
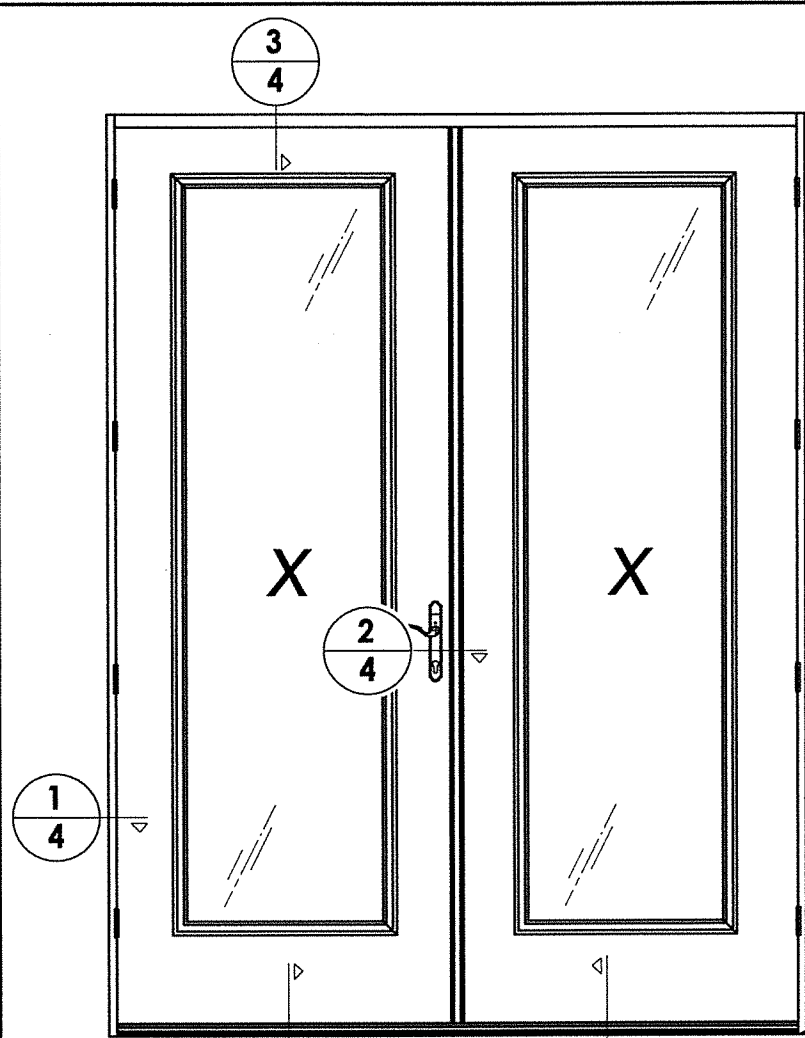
TEXAS BOARD OF PROFESSIONAL ENGINEERS
CERTIFICATE OF REGISTRATION # F-11852

PRODUCT: ENDURA

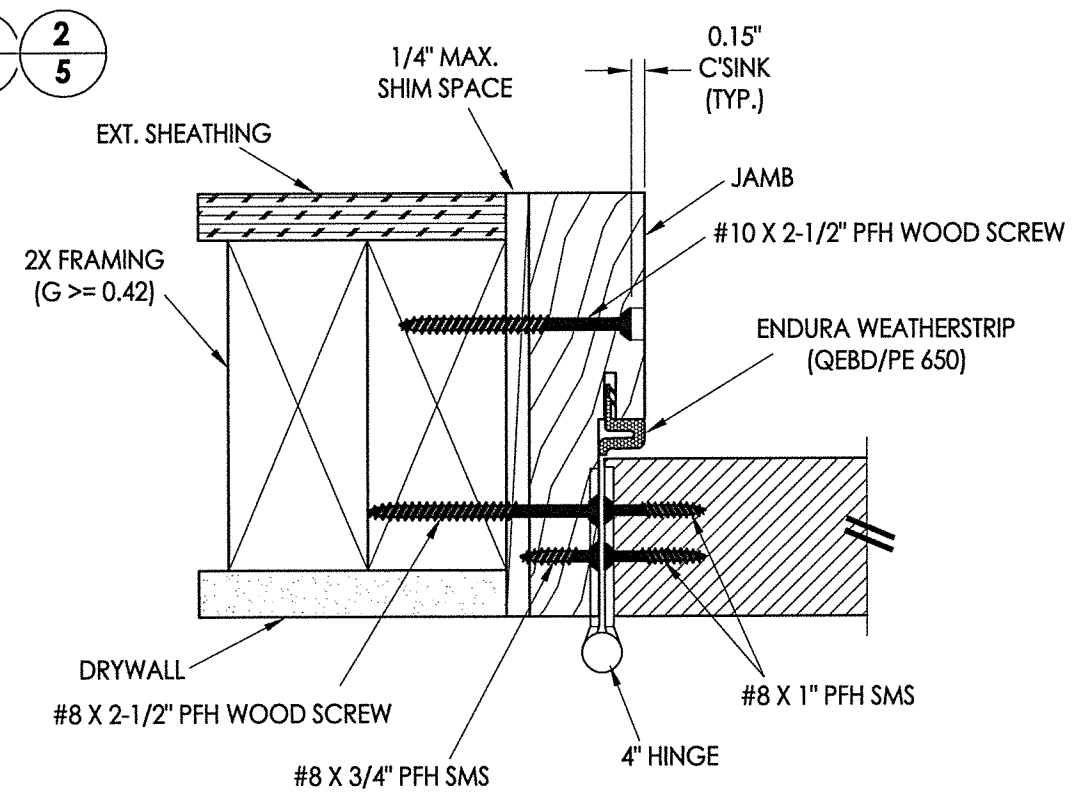
PART OR ASSEMBLY: DOOR PANEL DETAILS & GLAZING DETAIL

NO.	DATE	BY	REVISIONS

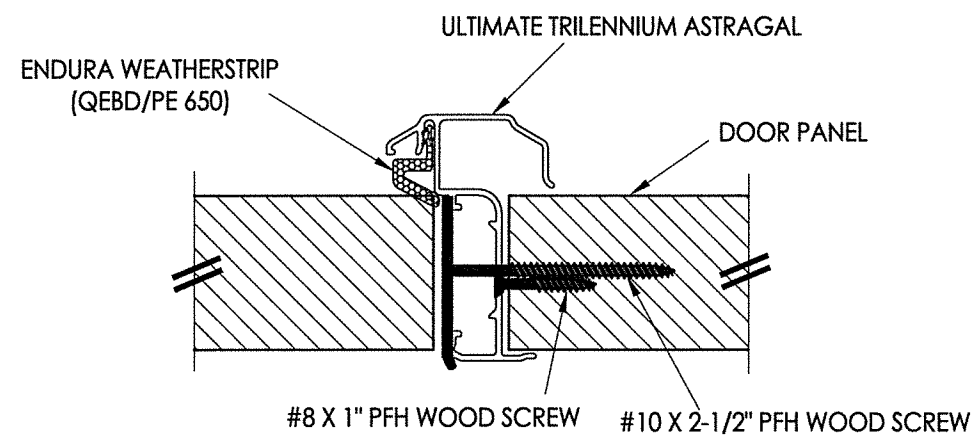
DATE: 4/27/17
SCALE: N.T.S.
DWG. BY: JK
CHK. BY: LFS
DRAWING NO.: TX-4694
SHEET 3 OF 6



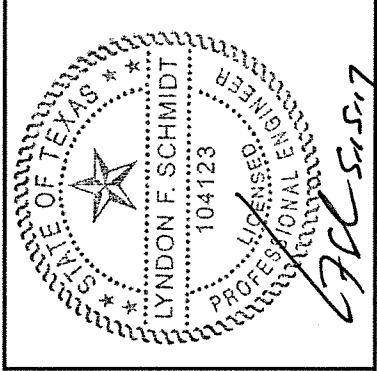
3 VERTICAL CROSS SECTION
 4 Outswing shown - inswing also approved



1 HORIZONTAL CROSS SECTION
 4 Inswing shown - Outswing also approved



2 HORIZONTAL CROSS SECTION
 4



Documents Prepared By: Lyndon F. Schmidt, P.E.
 TEXAS P.E. #104123

RW BUILDING CONSULTANTS, INC.
 P.O. Box 230 Valrico FL 33595
 Phone No.: 813.659.9197

TEXAS BOARD OF PROFESSIONAL ENGINEERS
 CERTIFICATE OF REGISTRATION # F-11852

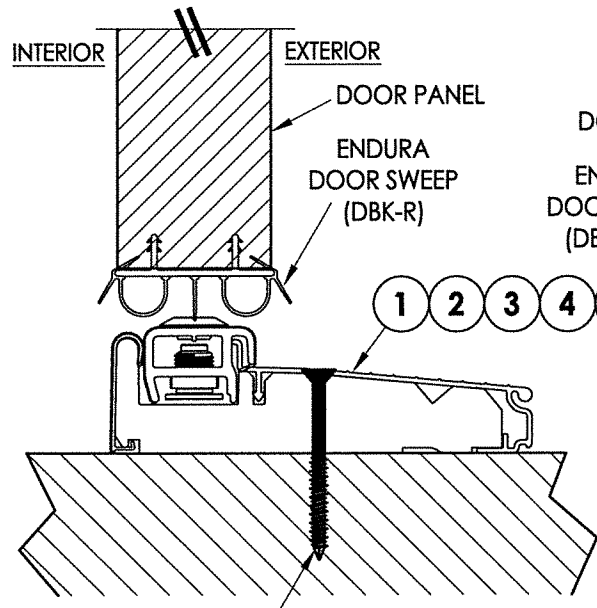
PRODUCT: ENDURA

PART OR ASSEMBLY: HORIZONTAL & VERTICAL CROSS SECTIONS

NO.	DATE	BY	REVISIONS

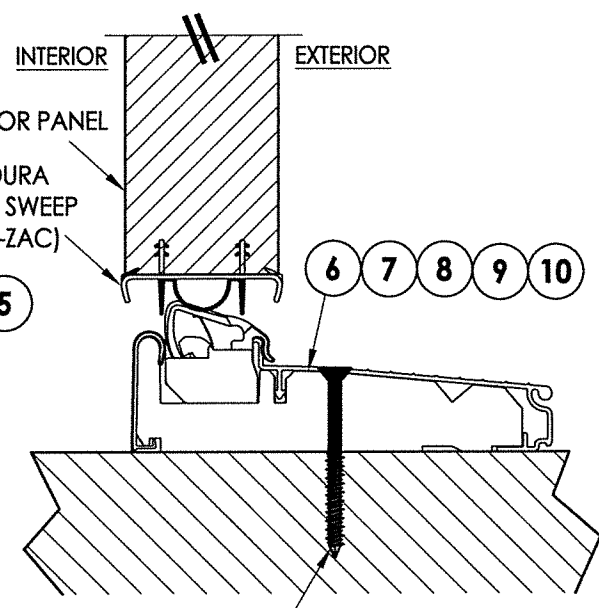
DATE: 4/27/17
 SCALE: N.T.S.
 DWG. BY: JK
 CHK. BY: LFS
 DRAWING NO.: TX-4694
 SHEET 4 OF 6

R:\Clients\Endura PERMANENT\B - Texas Dept of Ins\TDI - Masonite (Sub ID xxxx) FG VG GLAZED (Triennium)\C - Drawings\TX-4690.91.93.94.dwg, 5.2



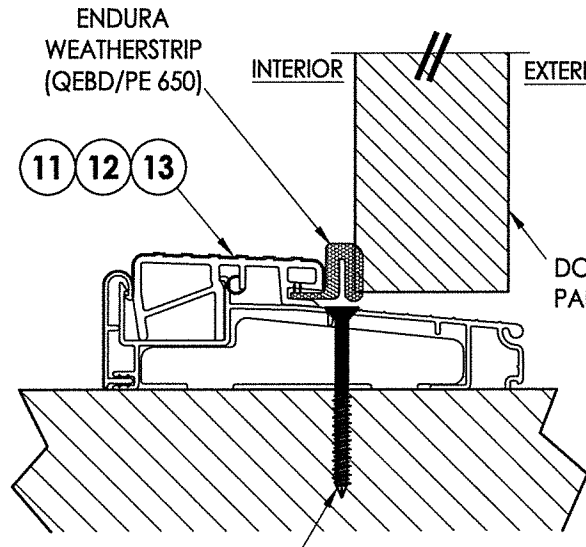
#10 X 2-1/2" PFH WOOD SCREW OR
1/4" X 2-3/4" ELCO OR ITW CONCRETE SCREW

1 VERTICAL CROSS SECTION
5 Inswing Adjustable Threshold



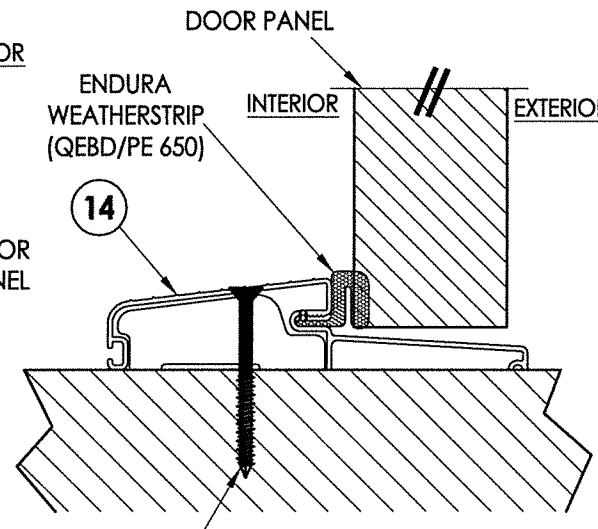
#10 X 2-1/2" PFH WOOD SCREW OR
1/4" X 2-3/4" ELCO OR ITW CONCRETE SCREW

2 VERTICAL CROSS SECTION
5 Inswing Articulating Threshold
w/ Pin Capture



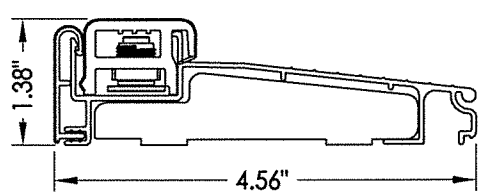
#10 X 2-1/2" PFH WOOD SCREW OR
1/4" X 2-3/4" ELCO OR ITW CONCRETE SCREW

3 VERTICAL CROSS SECTION
5 Outswing Bump Threshold

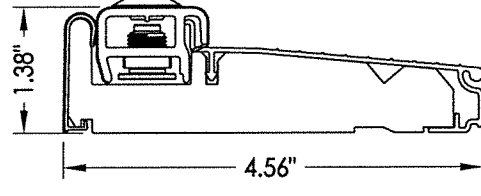


#10 X 2-1/2" PFH WOOD SCREW OR
1/4" X 2-3/4" ELCO OR ITW CONCRETE SCREW

4 VERTICAL CROSS SECTION
5 Outswing Bump Threshold

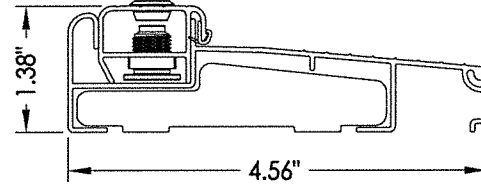


1 INSWING ADJUSTABLE THRESHOLD
ZAIL4565

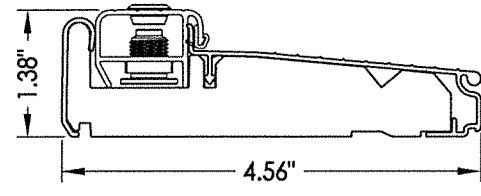


2 INSWING ADJUSTABLE THRESHOLD
ZAI4565FN

MAX. DESIGN PRESSURE = ±30 PSF

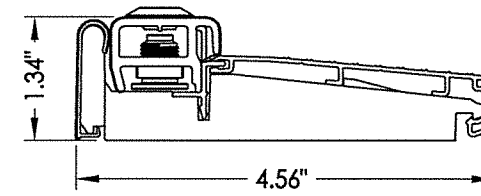


3 INSWING ADJUSTABLE THRESHOLD
ZAILAA4565

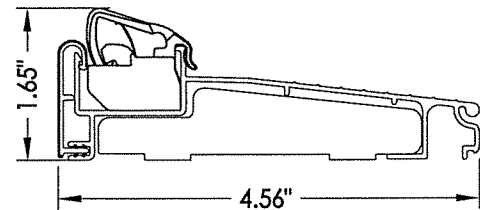


4 INSWING ADJUSTABLE THRESHOLD
ZAI4A4565FN

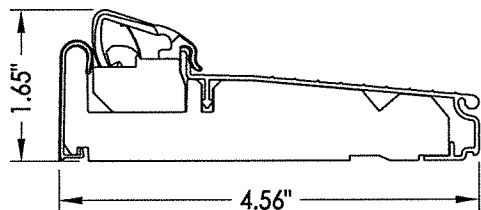
MAX. DESIGN PRESSURE = ±30 PSF



5 INSWING ADJUSTABLE THRESHOLD
ZAI4565RDS

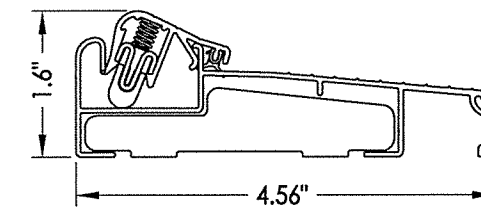


6 INSWING ARTICULATING THRESHOLD
ZACL4565

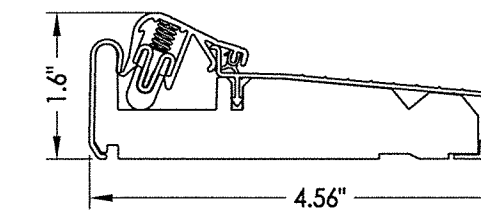


7 INSWING ARTICULATING THRESHOLD
ZAC4565FN

MAX. DESIGN PRESSURE = ±35PSF

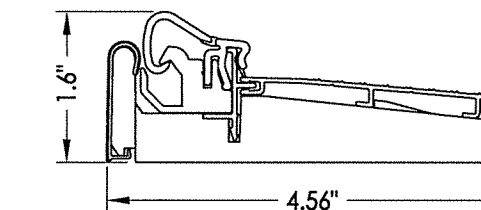


8 INSWING ARTICULATING THRESHOLD
ZACLAA4565

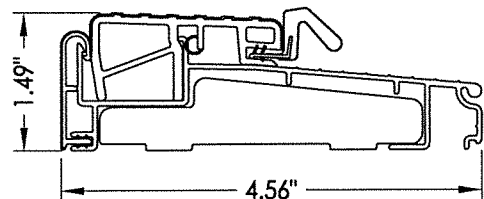


9 INSWING ARTICULATING THRESHOLD
ZACAA4565FN

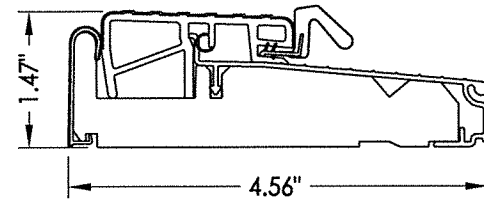
MAX. DESIGN PRESSURE = ±35 PSF



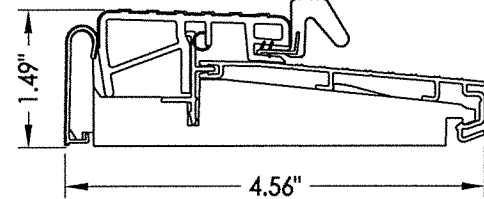
10 INSWING ARTICULATING THRESHOLD
ZAC4565RDS



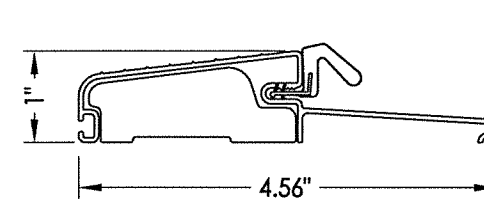
11 OUTSWING THRESHOLD
ZOBL4565



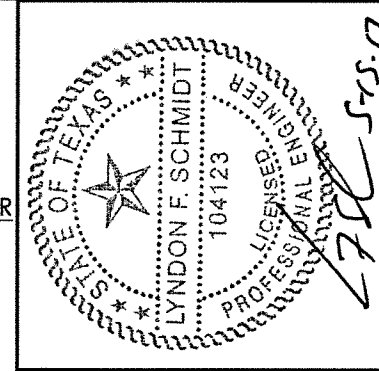
12 OUTSWING THRESHOLD
ZOB4565FN



13 OUTSWING THRESHOLD
ZOB4565RDS



14 OUTSWING THRESHOLD
FOB4566



Documents Prepared By: Lyndon F. Schmidt, P.E.
TEXAS P.E. #104123

RW BUILDING CONSULTANTS, INC.
P.O. Box 230 Vairico FL 33595
Phone No.: 813.659.9197

TEXAS BOARD OF PROFESSIONAL ENGINEERS
CERTIFICATE OF REGISTRATION # F-11852

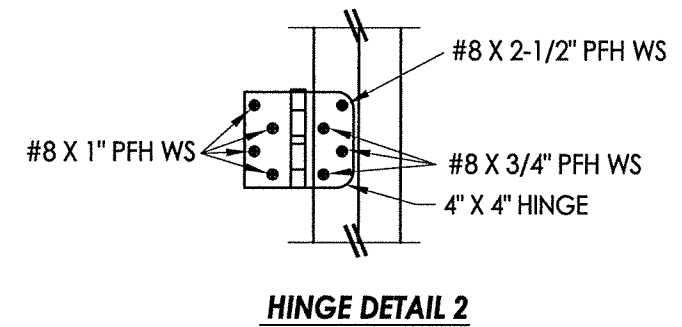
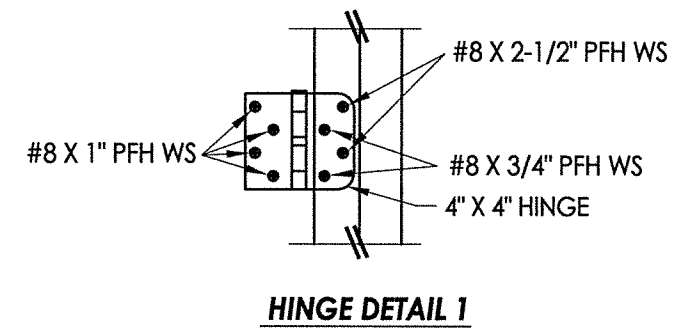
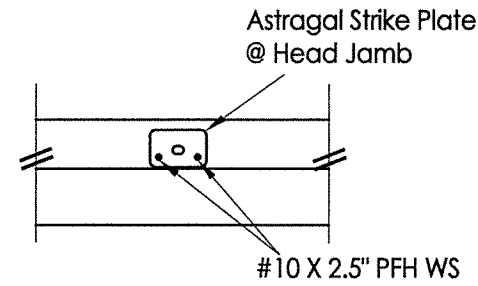
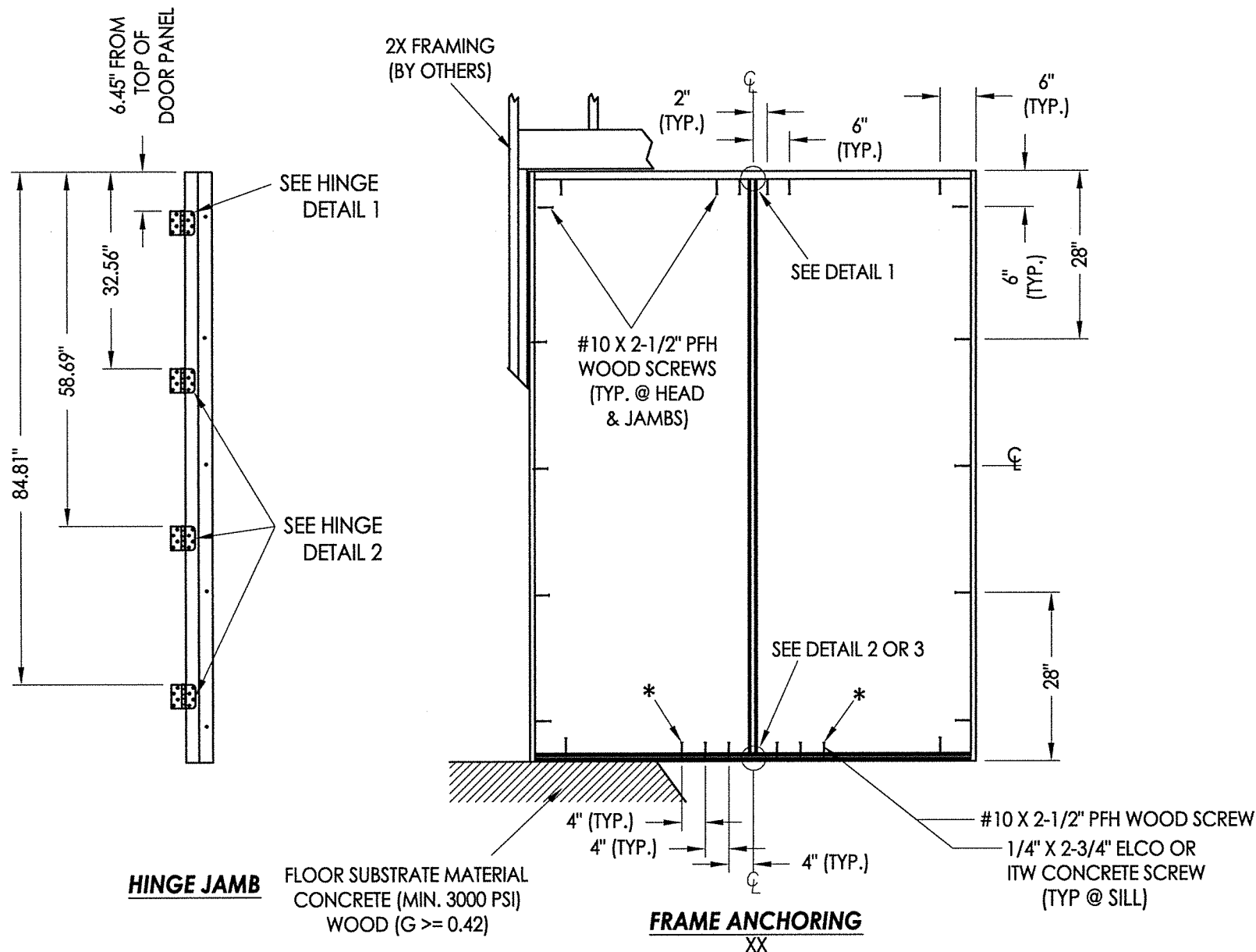
PRODUCT:	ENDURA
PART OR ASSEMBLY:	VERTICAL CROSS SECTIONS

NO.	DATE	BY

DATE:	4/27/17
SCALE:	N.T.S.
DWG. BY:	JK
CHK. BY:	LFS
DRAWING NO.:	TX-4694
SHEET	5 OF 6

© 2017 R.W. BUILDING CONSULTANTS INC.

R:\Clients\Endura Permanent\B - Texas Dept of Ins\TDI - Masonite (Sub ID xxxx) FG VG GLAZED (Trilennium)\C - Drawings\TX-4690.91.93.94.dwg, 6.2

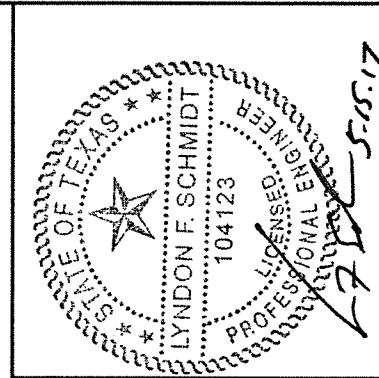
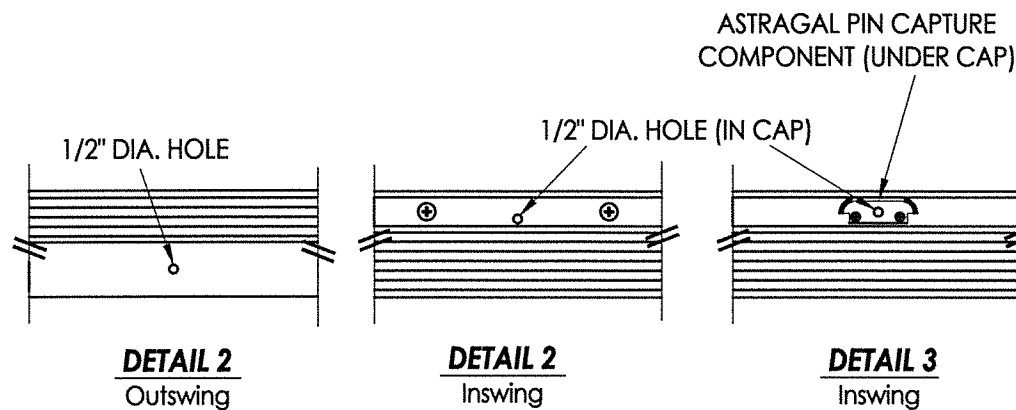


* NOTE: THESE ADDITIONAL ANCHORS ARE REQUIRED FOR D.P. > 40 PSF.

CONCRETE ANCHOR NOTES:

- Concrete anchor locations at the corners may be adjusted to maintain the min. edge distance to mortar joints.
- Concrete anchor locations noted as "MAX. ON CENTER" must be adjusted to maintain the min. edge distance to mortar joints, additional concrete anchors may be required to ensure the "MAX. ON CENTER" dimension are not exceeded.
- Concrete anchor table:

ANCHOR TYPE	ANCHOR SIZE	MIN. EMBEDMENT	MIN. CLEARANCE TO MASONRY EDGE	MIN. CLEARANCE TO ADJACENT ANCHOR
ITW TAPCON®	1/4"	1-3/4"	1-1/2"	4"
ELCO ULTRACON®	1/4"	1-3/4"	1"	4"



Documents Prepared By: Lyndon F. Schmidt, P.E.
 TEXAS P.E. #104123

RW BUILDING CONSULTANTS, INC.
 P.O. Box 230 Valrico FL 33595
 Phone No.: 813.659.9197
 TEXAS BOARD OF PROFESSIONAL ENGINEERS
 CERTIFICATE OF REGISTRATION # F-11852

PRODUCT:	ENDURA
PART OR ASSEMBLY:	FRAME ANCHORING

NO.	DATE	BY

DATE:	4/27/17
SCALE:	N.T.S.
DWG. BY:	JK
CHK. BY:	LFS
DRAWING NO.:	TX-4694
SHEET	6 OF 6

© 2017 R.W. BUILDING CONSULTANTS INC.