

REVISIONS			
REV	DESCRIPTION	DATE	APPROVED

NOTES:

1. THE PRODUCT SHOWN HEREIN IS DESIGNED AND MANUFACTURED TO COMPLY WITH REQUIREMENTS OF THE 2006 IBC AND THE 2006 IRC WITH STATE OF TEXAS MODIFICATIONS AND WITH THE 2009 IBC, 2009 IRC, 2012 IBC AND 2012 IRC.
2. WOOD FRAMING AND MASONRY OPENING TO BE DESIGNED AND ANCHORED TO PROPERLY TRANSFER ALL LOADS TO STRUCTURE. FRAMING AND MASONRY OPENING IS THE RESPONSIBILITY OF THE ARCHITECT OR ENGINEER OF RECORD.
3. 1X BUCK OVER MASONRY/CONCRETE IS OPTIONAL.
4. WHERE SHIM OR BUCK THICKNESS IS LESS THAN 1-1/2" WINDOW UNITS MUST BE ANCHORED THROUGH THE FRAME IN ACCORDANCE WITH MANUFACTURER'S PUBLISHED INSTALLATION INSTRUCTIONS. ANCHORS SHALL BE SECURELY FASTENED DIRECTLY INTO MASONRY, CONCRETE OR OTHER STRUCTURAL SUBSTRATE MATERIAL.
5. WHERE WOOD BUCK THICKNESS IS 1-1/2" OR GREATER, BUCK SHALL BE SECURELY FASTENED TO MASONRY, CONCRETE OR OTHER STRUCTURAL SUBSTRATE. WINDOW UNITS MAY BE ANCHORED THROUGH FRAME TO SECURED WOOD BUCK IN ACCORDANCE WITH MANUFACTURER'S PUBLISHED INSTALLATION INSTRUCTIONS.
6. WHERE 1X BUCK IS NOT USED DISSIMILAR MATERIALS MUST BE SEPARATED WITH APPROVED COATING OR MEMBRANE. SELECTION OF COATING OR MEMBRANE IS THE RESPONSIBILITY OF THE ARCHITECT OR ENGINEER OF RECORD.
7. BUCKS SHALL EXTEND BEYOND WINDOW INTERIOR FACE SO THAT FULL FRAME SUPPORT IS PROVIDED.
8. FOR FRAME INSTALLATION SHIM AS REQUIRED AT EACH ANCHOR LOCATION WITH LOAD BEARING SHIM. SHIM WHERE SPACE OF 1/16" OR GREATER OCCURS. MAXIMUM ALLOWABLE SHIM STACK TO BE 1/4".
9. SHIMS SHALL BE LOCATED, APPLIED AND MADE FROM MATERIALS AND THICKNESS CAPABLE OF SUSTAINING APPLICABLE LOADS.
10. WIND LOAD DURATION FACTOR Cd=1.6 WAS USED FOR WOOD ANCHOR CALCULATIONS.
11. FRAME MATERIAL: EXTRUDED ALUMINUM 6005-T5.
12. UNITS MUST BE GLAZED PER ASTM E1300-04/09, WITH SAFETY GLAZING.
13. APPROVED IMPACT PROTECTIVE SYSTEM IS REQUIRED FOR THIS PRODUCT IN WIND BORNE DEBRIS REGIONS.
14. FOR ANCHORING THROUGH FRAME INTO WOOD FRAMING OR 2X BUCK USE #14 WOOD SCREWS WITH SUFFICIENT LENGTH TO ACHIEVE A 1 3/8" MINIMUM EMBEDMENT INTO

- SUBSTRATE. LOCATE ANCHORS AS SHOWN IN ELEVATIONS AND INSTALLATION DETAILS.
15. FOR ANCHORING THROUGH FRAME INTO MASONRY/CONCRETE USE 1/4" TAPCONS WITH SUFFICIENT LENGTH TO ACHIEVE A 1 1/4" MINIMUM EMBEDMENT INTO SUBSTRATE WITH 1 7/8" MINIMUM EDGE DISTANCE. LOCATE ANCHORS AS SHOWN IN ELEVATIONS AND INSTALLATION DETAILS.
  16. FOR ANCHORING THROUGH FRAME INTO METAL STRUCTURE USE #14 SMS OR SELF DRILLING SCREWS WITH SUFFICIENT LENGTH TO ACHIEVE 3 THREADS MINIMUM BEYOND STRUCTURE INTERIOR WALL. LOCATE ANCHORS AS SHOWN IN ELEVATIONS AND INSTALLATION DETAILS.
  17. ALL FASTENERS TO BE CORROSION RESISTANT.
  18. INSTALLATION ANCHORS SHALL BE INSTALLED IN ACCORDANCE WITH ANCHOR MANUFACTURER'S INSTALLATION INSTRUCTIONS AND ANCHORS SHALL NOT BE USED IN SUBSTRATES WITH STRENGTHS LESS THAN THE MINIMUM STRENGTH SPECIFIED BELOW:
    - A. WOOD: MINIMUM SPECIFIC GRAVITY OF G=0.42
    - B. CONCRETE: MINIMUM COMPRESSIVE STRENGTH OF 2,000 PSI.
    - C. MASONRY: HOLLOW/FILLED BLOCK PER ASTM C90 WITH Fm=2,000PSI MINIMUM.
    - D. METAL STRUCTURE: STEEL 18GA (.048") FY=33KSI/FU=52KSI OR ALUMINUM 6063-T5 FU=30KSI .048" THICK MINIMUM
  19. APPROVED CONFIGURATIONS: OXO

SIGNED: 05/02/2018

TABLE OF CONTENTS	
SHEET NO.	DESCRIPTION
1	NOTES
2	ELEVATION, ANCHORING LAYOUTS AND CHARTS
3	PLAN VIEWS AND COMPONENTS
4 - 9	INSTALLATION DETAILS

<b>MI WINDOWS AND DOORS LLC</b> 650 WEST MARKET STREET GRATZ, PA 17030		
SERIES 120 ALUMINUM SLIDING GLASS DOOR OXO NON-IMPACT 145" X 96" NOTES		
DRAWN: A.R.	DWG NO. 08-03139	REV -
SCALE NTS	DATE 06/27/17	SHEET 1 OF 9
L. ROBERTO LOMAS P.E. 1432 WOODFORD RD LEWISVILLE, NC 27023 434-688-0609 rllomas@rlomaspe.com		



Luis R. Lomas P.E.  
TX No.: 101889

REVISIONS			
REV	DESCRIPTION	DATE	APPROVED

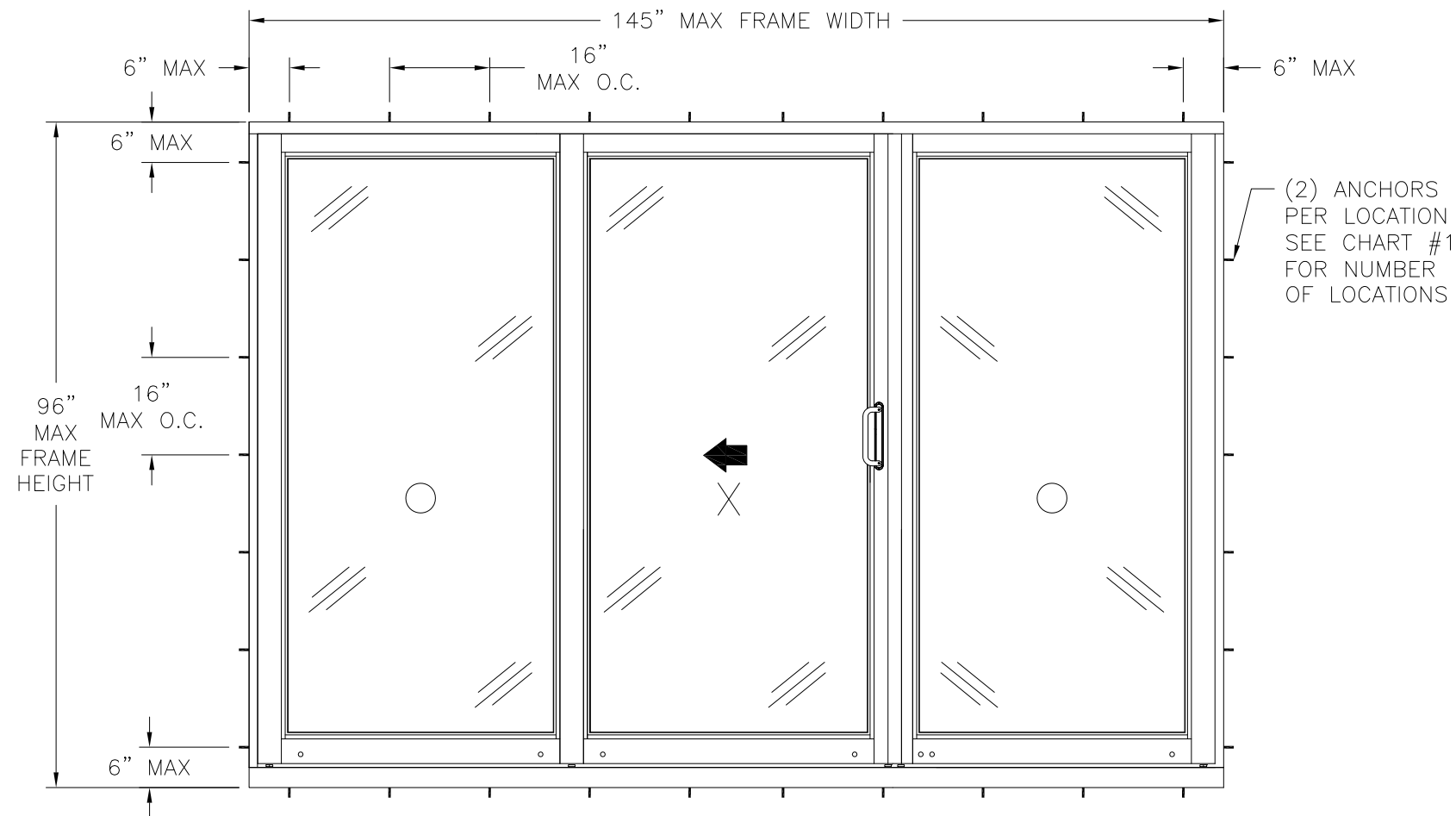


CHART #1												
Number of anchor locations required												
Frame Height (in)	Frame Width (in)											
	72.00		90.00		108.00		126.00		144.00		145.00	
	H & S	Jamb	H & S	Jamb	H & S	Jamb	H & S	Jamb	H & S	Jamb	H & S	Jamb
80.00	5	6	6	6	7	6	9	6	10	6	10	6
84.00	5	6	6	6	7	6	9	6	10	6	10	6
90.00	5	6	6	6	7	6	9	6	10	6	10	6
96.00	5	7	6	7	7	7	9	7	10	7	10	7

**SERIES 120 ALUMINUM SLIDING GLASS DOOR NON-IMPACT (OXO)**

EXTERIOR VIEW  
FINLESS & FLANGE INSTALLATION

WITH 2 5/8" & 3 1/2" SILL EXTENDERS

DESIGN PRESSURE RATING	IMPACT RATING
±55.0PSF	NONE

NOTES:

1. MAXIMUM PANEL SIZE: 48 5/8" X 93 1/2"
2. MAXIMUM D.L.O.: 40 5/8" X 85 1/2"

**HARDWARE SCHEDULE**

A.	TANDEM ROLLER ASSEMBLY, 2 PER PANEL, AT BOTTOM RAIL, 8" FROM EACH END
B.	LOCK HANDLE, 1 PER OPERABLE PANEL, AT LOCK STILE, 39" FROM BOTTOM RAIL

SIGNED: 05/02/2018

**MI WINDOWS AND DOORS LLC**

650 WEST MARKET STREET  
GRATZ, PA 17030

SERIES 120 ALUMINUM SLIDING  
GLASS DOOR OXO NON-IMPACT 145" X 96"  
ELEVATION

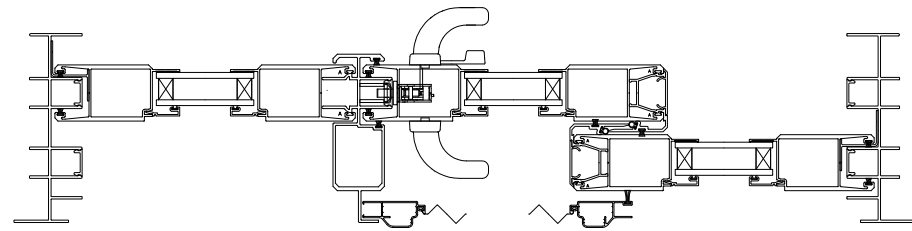
DRAWN: A.R.	DWG NO. 08-03139	REV -
SCALE NTS	DATE 06/27/17	SHEET 2 OF 9

L. ROBERTO LOMAS P.E.  
1432 WOODFORD RD LEWISVILLE, NC 27023  
434-688-0609 rllomas@rlomaspe.com

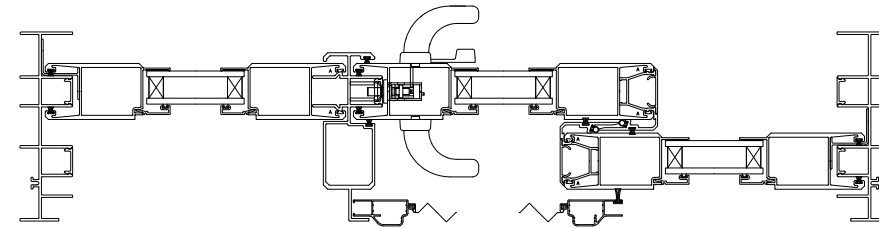


Luis R. Lomas P.E.  
TX No.: 101889

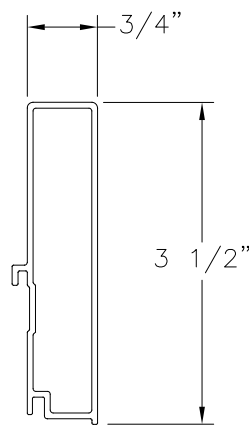
REVISIONS			
REV	DESCRIPTION	DATE	APPROVED



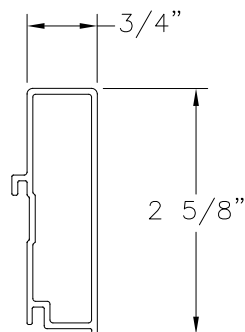
OXO (FLANGE)



OXO (FINLESS)



3 1/2" SILL EXTENDER  
ALUMINUM 6063-T5 .062" THICK



2 5/8" SILL EXTENDER  
ALUMINUM 6063-T5 .062" THICK

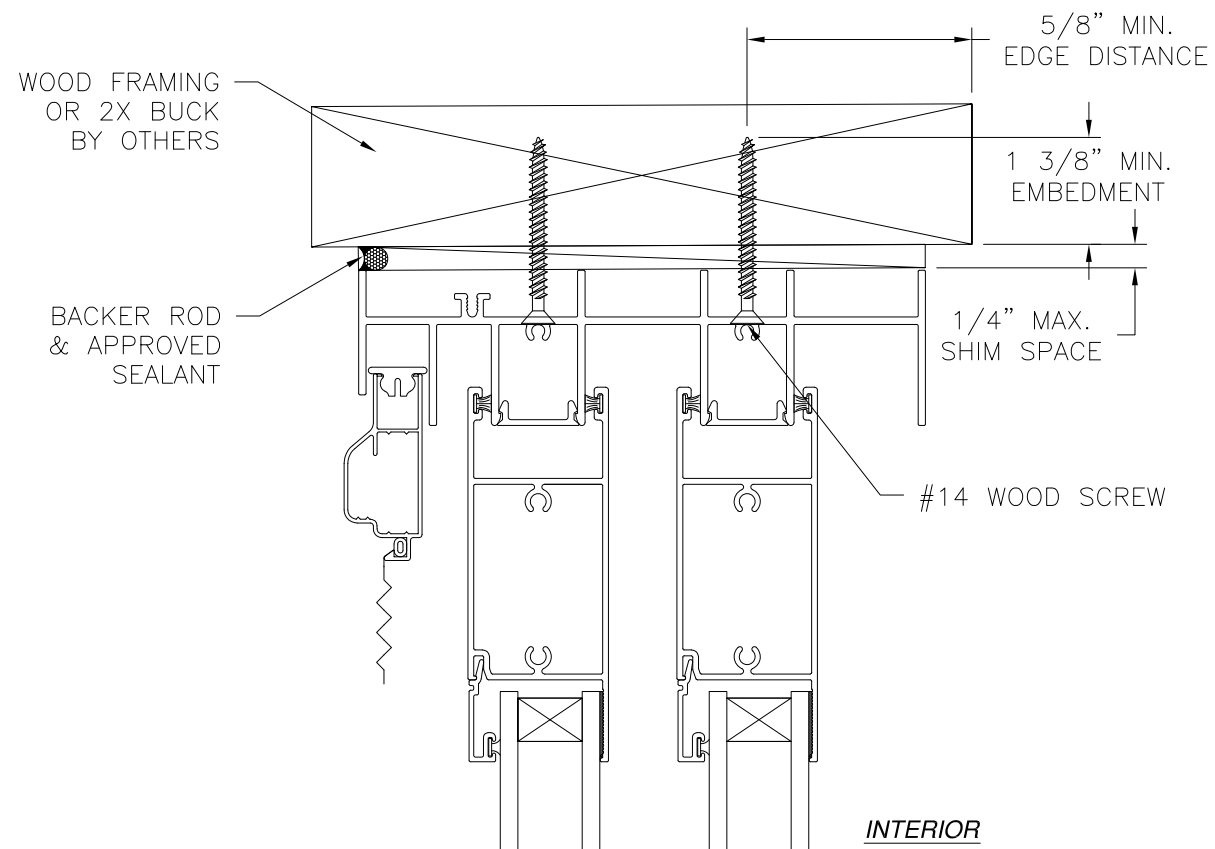
SIGNED: 05/02/2018

MI WINDOWS AND DOORS LLC 650 WEST MARKET STREET GRATZ, PA 17030		
SERIES 120 ALUMINUM SLIDING GLASS DOOR OXO NON-IMPACT 145" X 96" PLAN VIEWS AND COMPONENTS		
DRAWN: A.R.	DWG NO. 08-03139	REV -
SCALE NTS	DATE 06/27/17	SHEET 3 OF 9
L. ROBERTO LOMAS P.E. 1432 WOODFORD RD LEWISVILLE, NC 27023 434-688-0609 rllomas@rlomaspe.com		



Luis R. Lomas P.E.  
TX No.: 101889

REVISIONS			
REV	DESCRIPTION	DATE	APPROVED

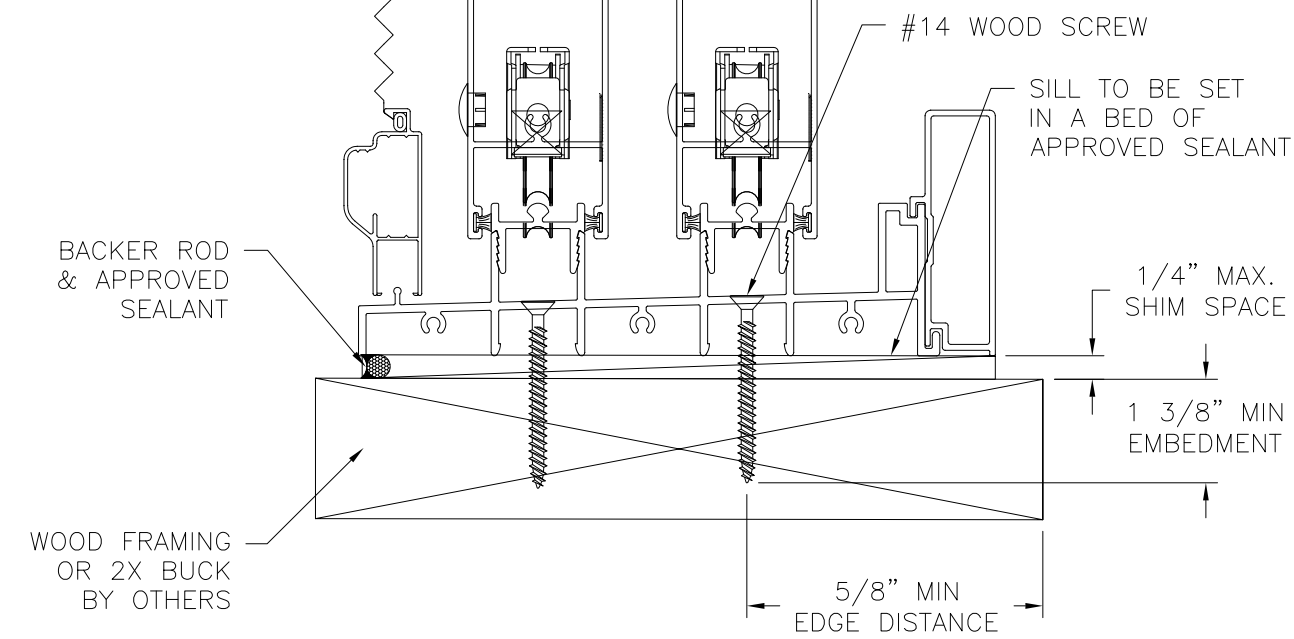


EXTERIOR

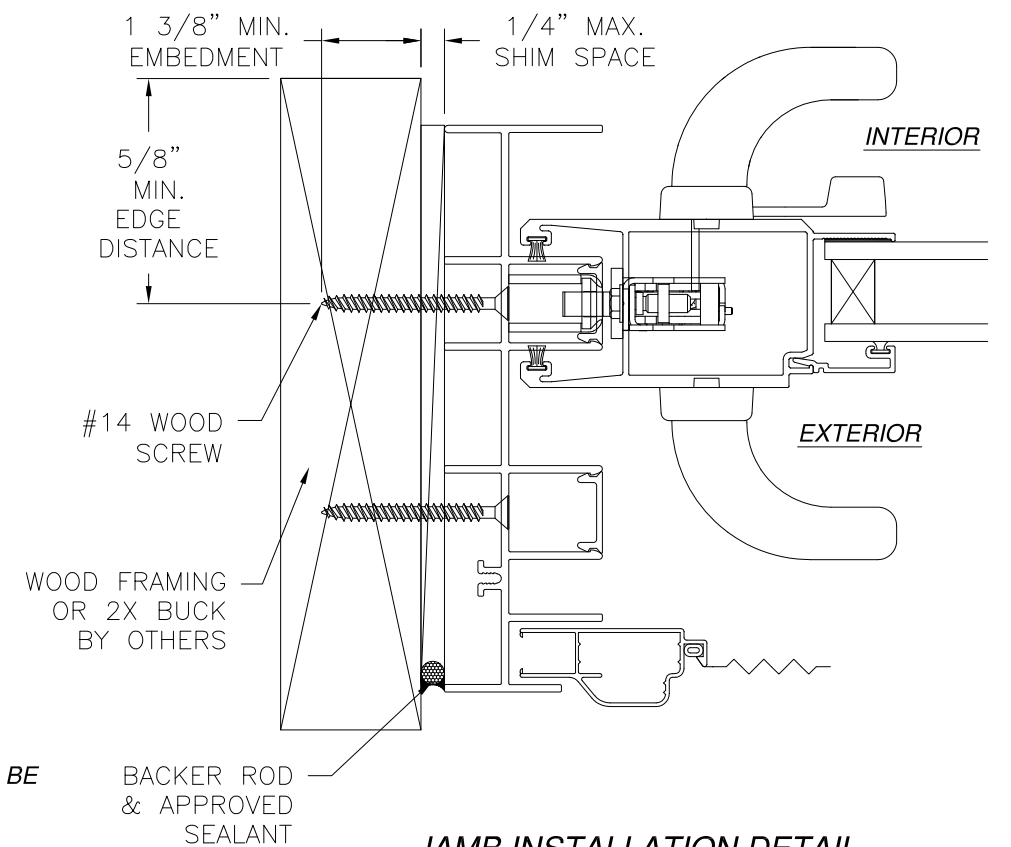
INTERIOR

**NOTES:**

1. INTERIOR AND EXTERIOR FINISHES, BY OTHERS, NOT SHOWN FOR CLARITY.
2. PERIMETER AND JOINT SEALANT BY OTHERS TO BE DESIGNED IN ACCORDANCE WITH ASTM E2112



**VERTICAL CROSS SECTION**  
WOOD FRAMING OR 2X BUCK INSTALLATION



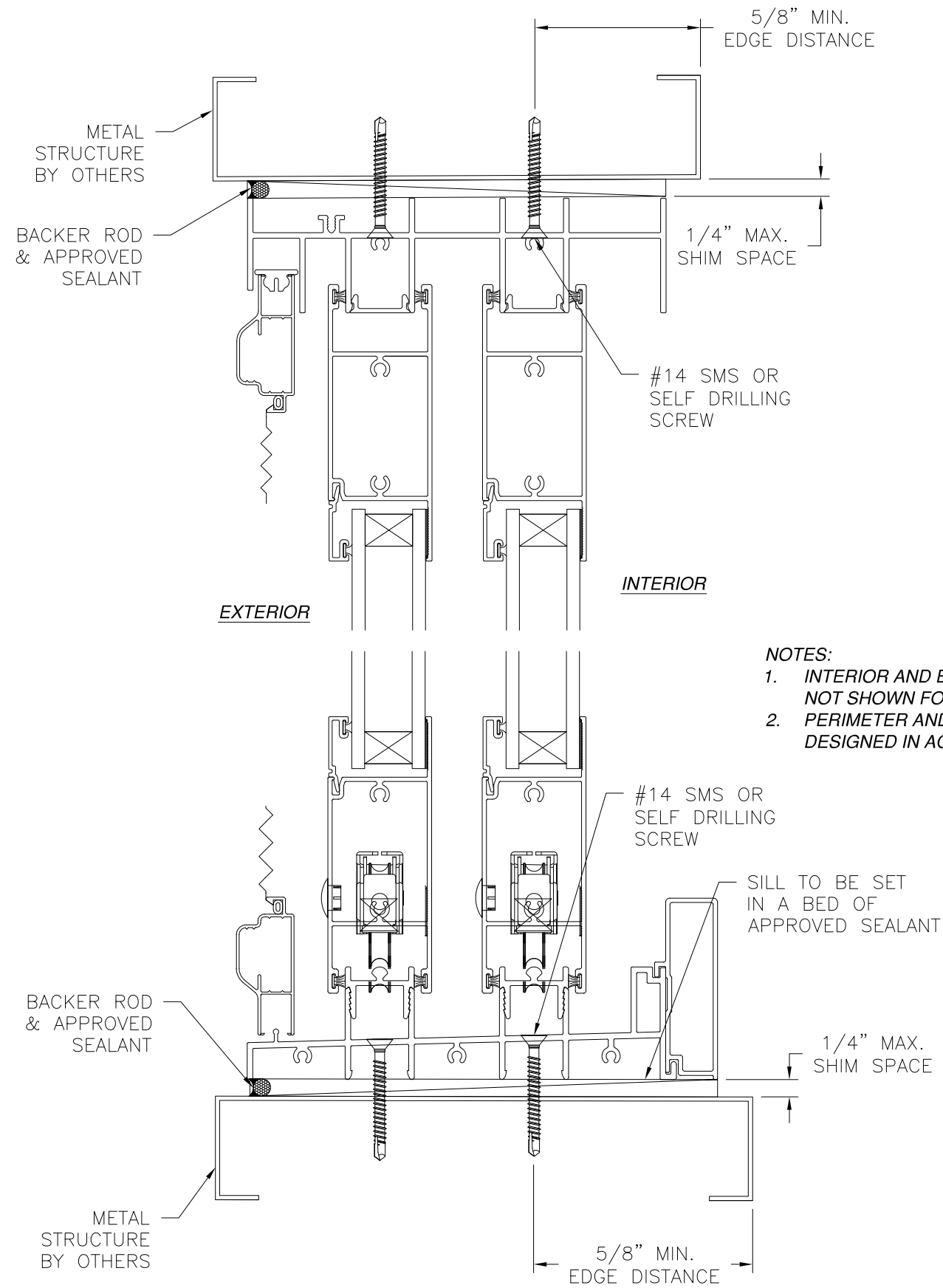
**JAMB INSTALLATION DETAIL**  
WOOD FRAMING OR 2X BUCK INSTALLATION

SIGNED: 05/02/2018

MI WINDOWS AND DOORS LLC 650 WEST MARKET STREET GRATZ, PA 17030		
SERIES 120 ALUMINUM SLIDING GLASS DOOR OXO NON-IMPACT 145" X 96" FINLESS INSTALLATION DETAILS		
DRAWN: A.R.	DWG NO. 08-03139	REV -
SCALE NTS	DATE 06/27/17	SHEET 4 OF 9
L. ROBERTO LOMAS P.E. 1432 WOODFORD RD LEWISVILLE, NC 27023 434-688-0609 rllomas@rlomaspe.com		



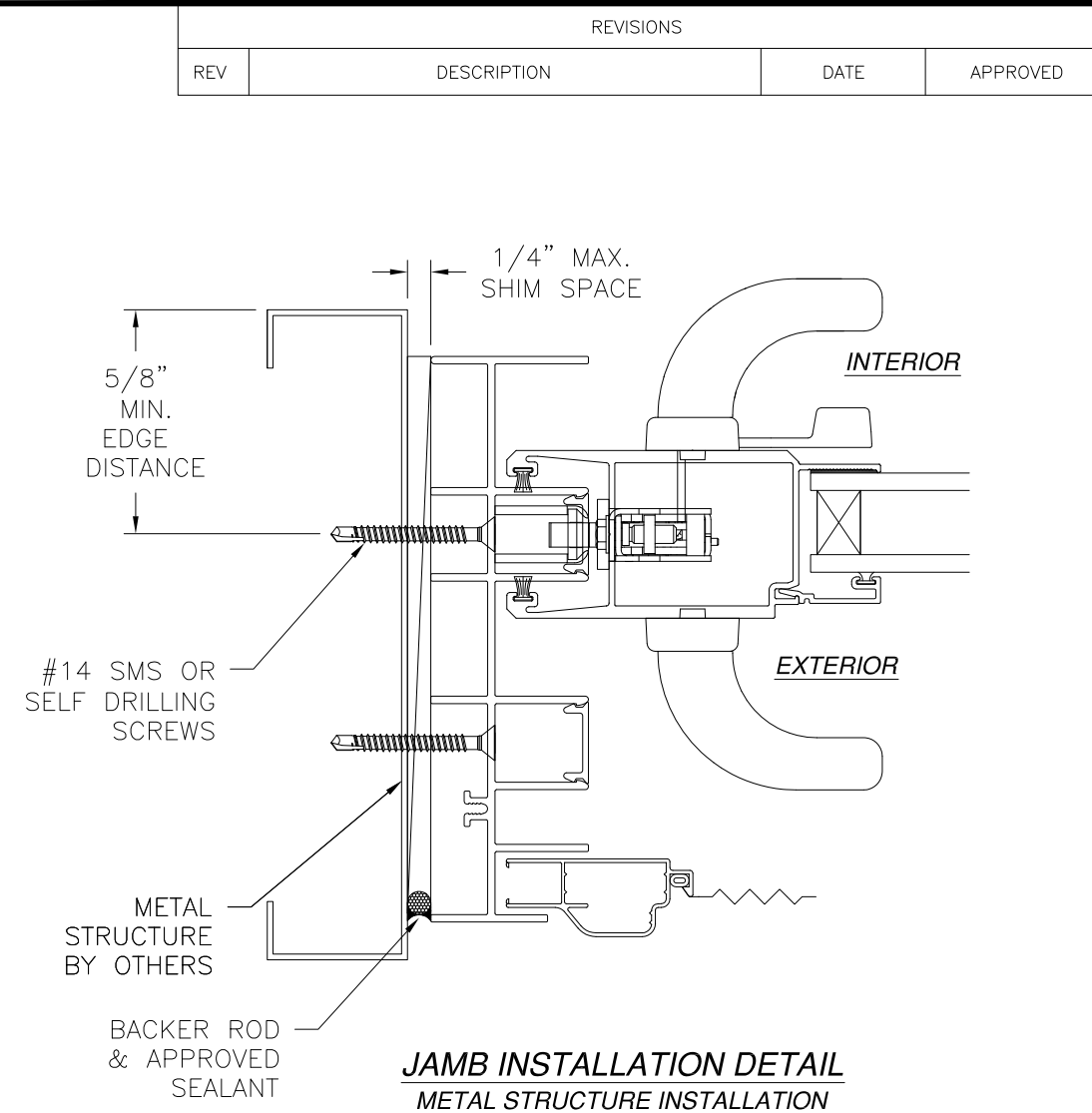
Luis R. Lomas P.E.  
TX No.: 101889



**VERTICAL CROSS SECTION**  
METAL STRUCTURE INSTALLATION

**NOTES:**

1. INTERIOR AND EXTERIOR FINISHES, BY OTHERS, NOT SHOWN FOR CLARITY.
2. PERIMETER AND JOINT SEALANT BY OTHERS TO BE DESIGNED IN ACCORDANCE WITH ASTM E2112



**JAMB INSTALLATION DETAIL**  
METAL STRUCTURE INSTALLATION

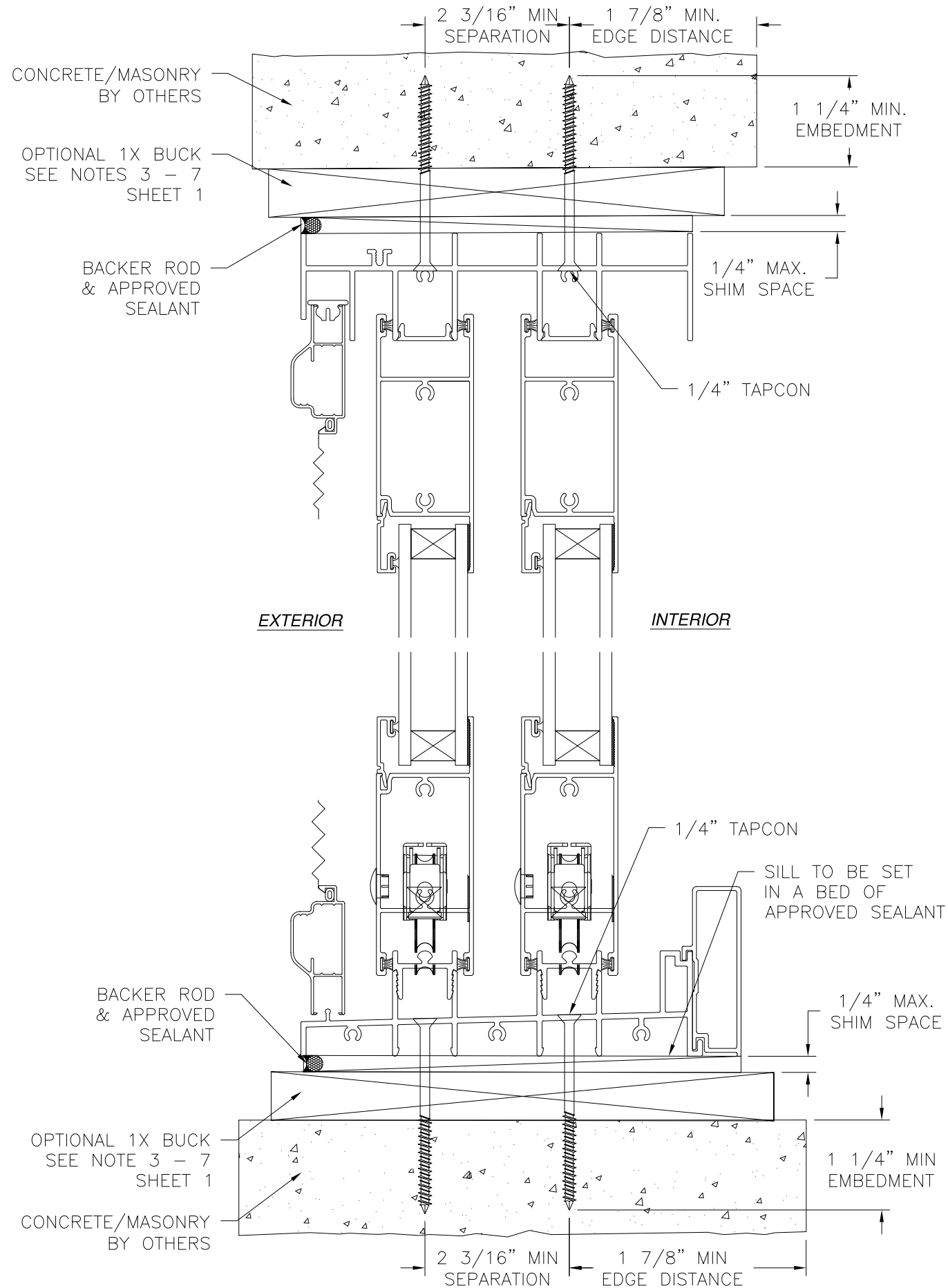
REVISIONS			
REV	DESCRIPTION	DATE	APPROVED

<p>MI WINDOWS AND DOORS LLC 650 WEST MARKET STREET GRATZ, PA 17030</p>		
<p>SERIES 120 ALUMINUM SLIDING GLASS DOOR OXO NON-IMPACT 145" X 96" FINLESS INSTALLATION DETAILS</p>		
DRAWN: A.R.	DWG NO. 08-03139	REV -
SCALE NTS	DATE 06/27/17	SHEET 5 OF 9
<p>L. ROBERTO LOMAS P.E. 1432 WOODFORD RD LEWISVILLE, NC 27023 434-688-0609 rllomas@rlomaspe.com</p>		

SIGNED: 05/02/2018

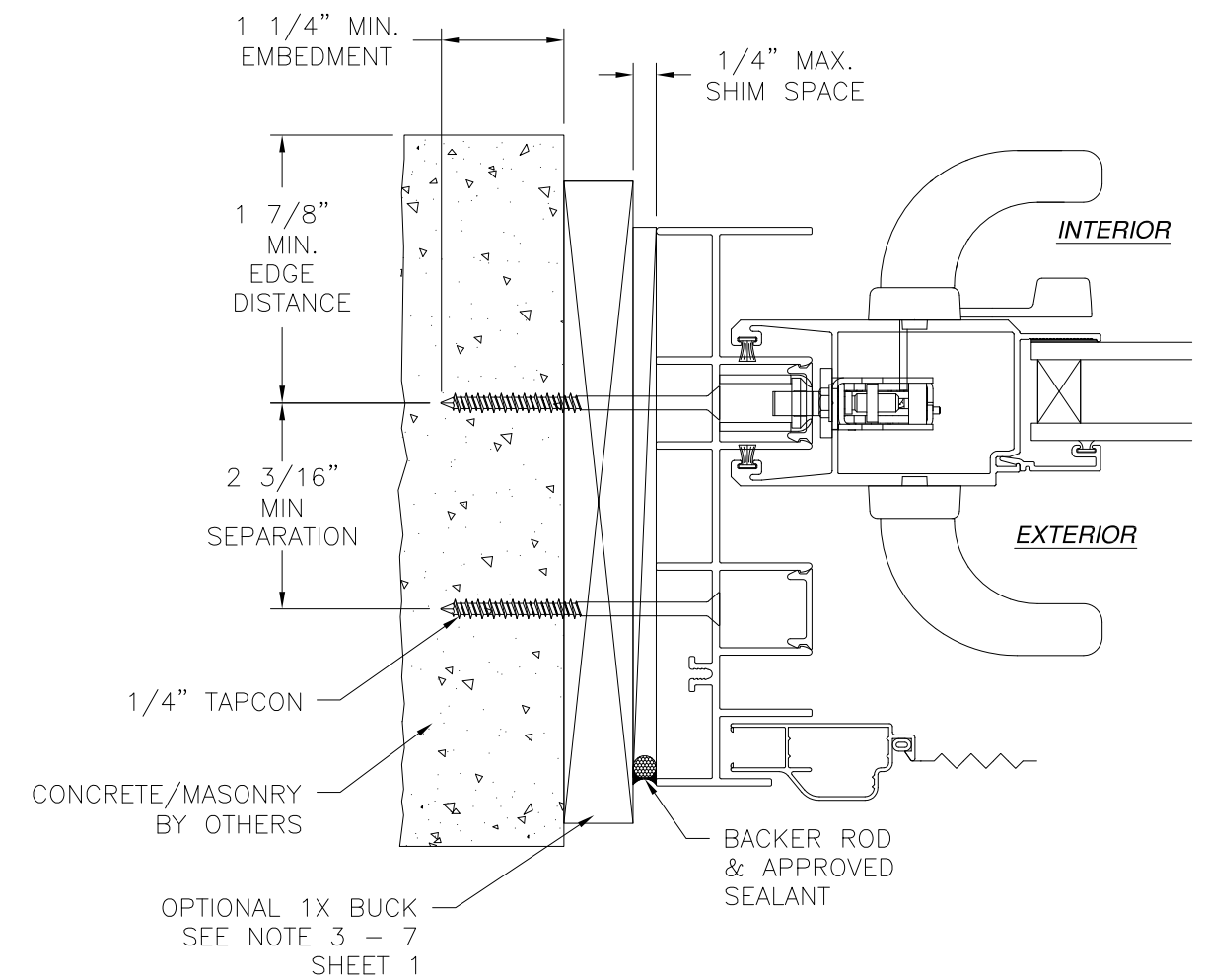


Luis R. Lomas P.E.  
TX No.: 101889



**VERTICAL CROSS SECTION**  
CONCRETE/MASONRY INSTALLATION

REVISIONS			
REV	DESCRIPTION	DATE	APPROVED



**JAMB INSTALLATION DETAIL**  
CONCRETE/MASONRY INSTALLATION

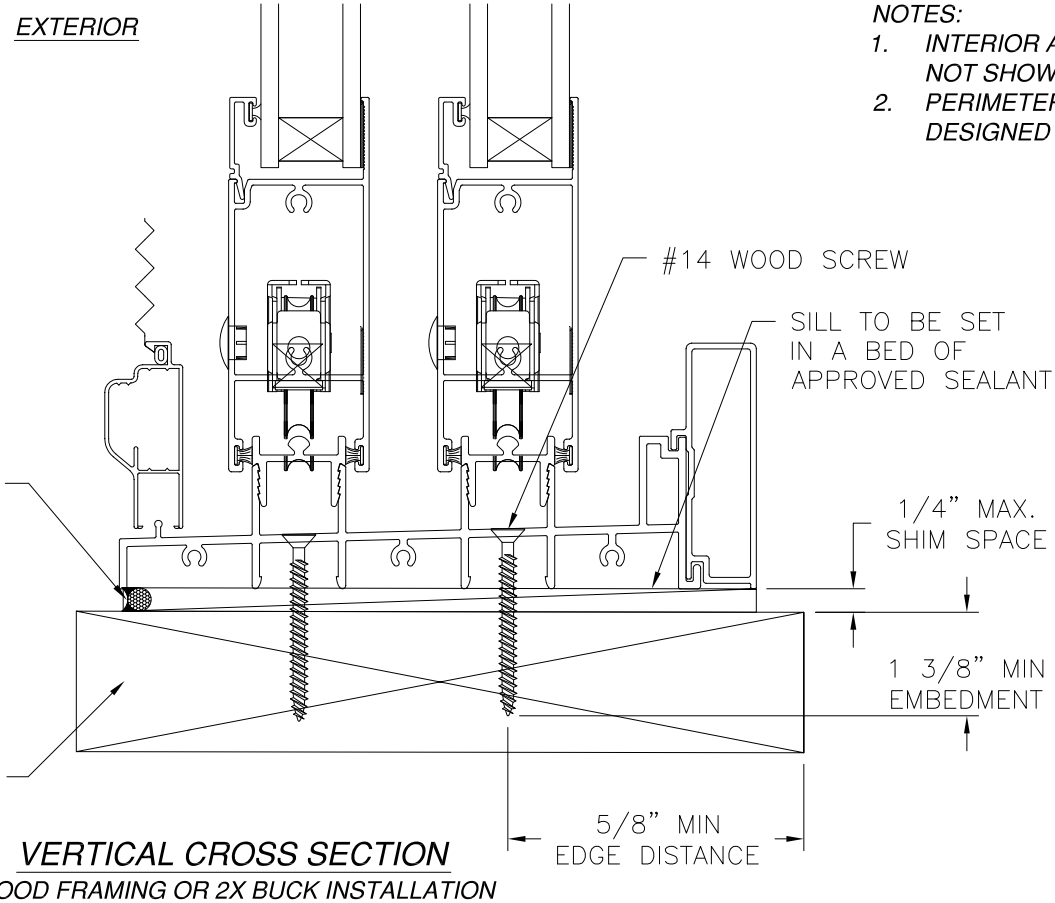
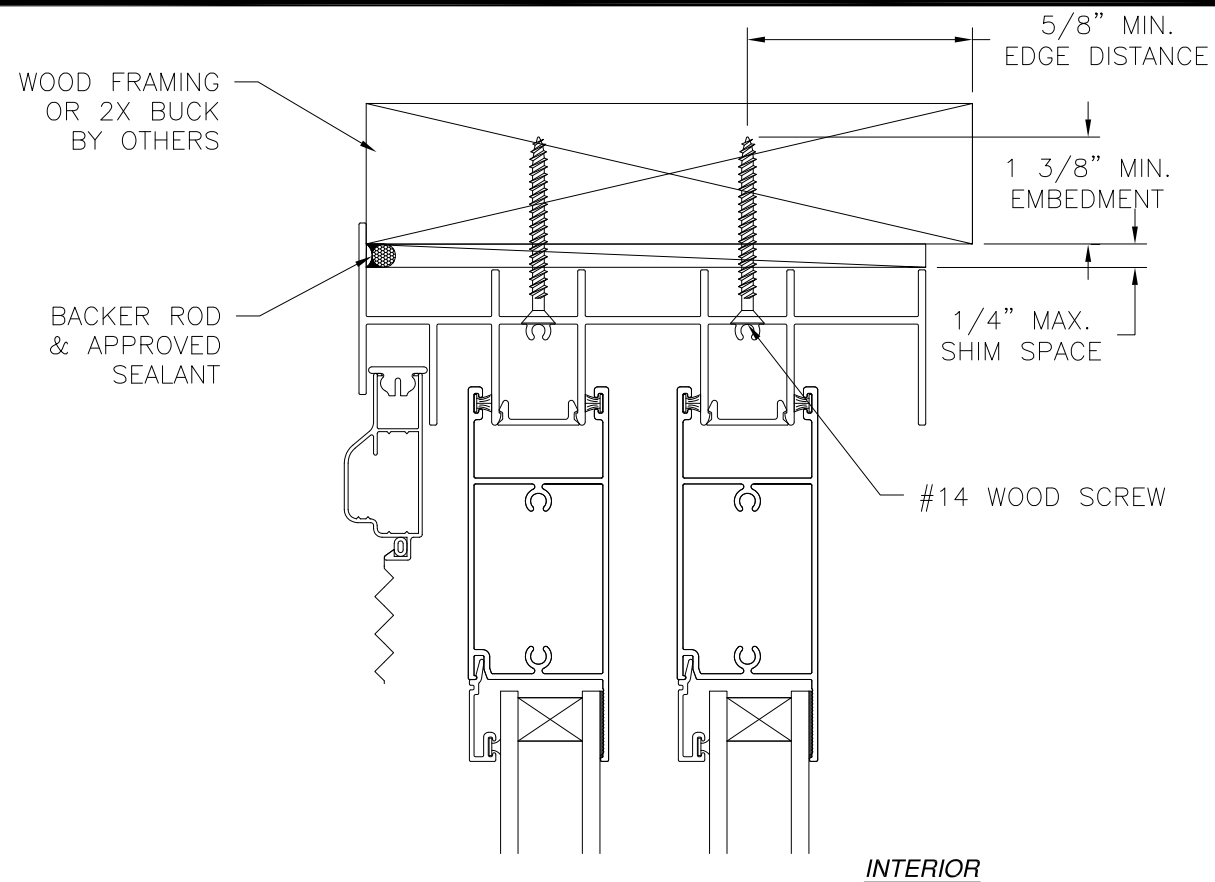
- NOTES:**
1. INTERIOR AND EXTERIOR FINISHES, BY OTHERS, NOT SHOWN FOR CLARITY.
  2. PERIMETER AND JOINT SEALANT BY OTHERS TO BE DESIGNED IN ACCORDANCE WITH ASTM E2112

SIGNED: 05/02/2018

MI WINDOWS AND DOORS LLC 650 WEST MARKET STREET GRATZ, PA 17030		
SERIES 120 ALUMINUM SLIDING GLASS DOOR OXO NON-IMPACT 145" X 96" FINLESS INSTALLATION DETAILS		
DRAWN: A.R.	DWG NO. 08-03139	REV -
SCALE NTS	DATE 06/27/17	SHEET 6 OF 9
L. ROBERTO LOMAS P.E. 1432 WOODFORD RD LEWISVILLE, NC 27023 434-688-0609 rllomas@rlomaspe.com		



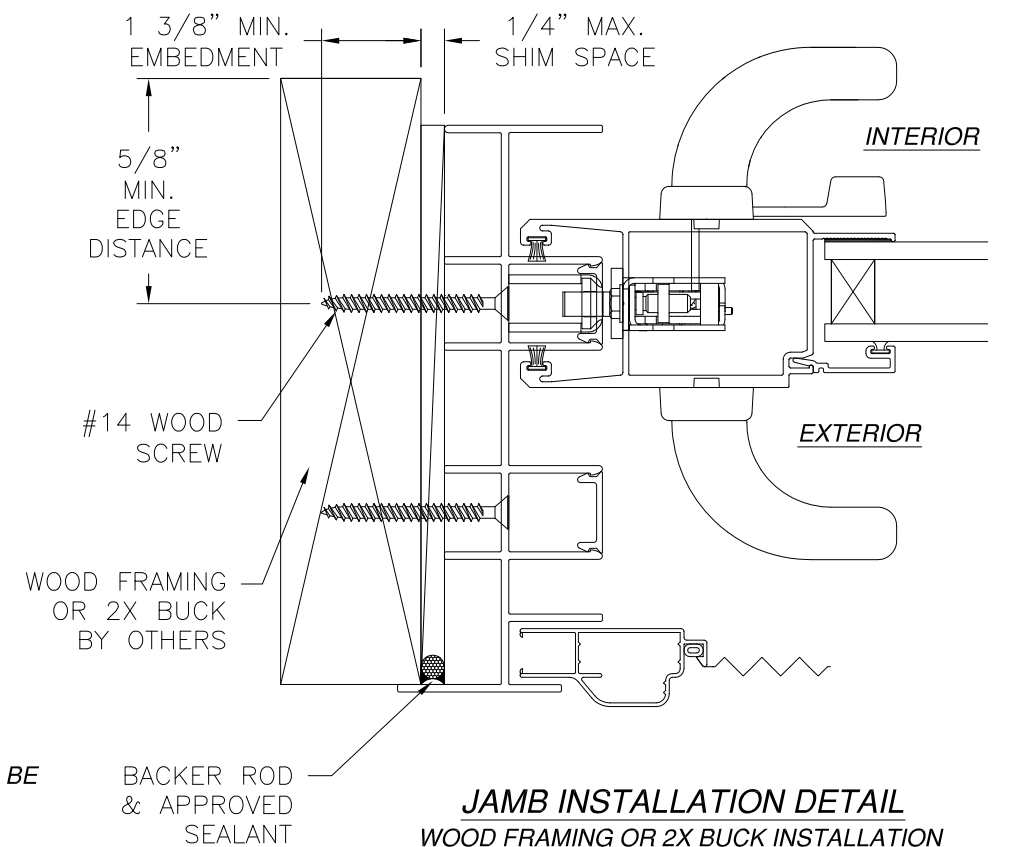
Luis R. Lomas P.E.  
TX No.: 101889



**NOTES:**

1. INTERIOR AND EXTERIOR FINISHES, BY OTHERS, NOT SHOWN FOR CLARITY.
2. PERIMETER AND JOINT SEALANT BY OTHERS TO BE DESIGNED IN ACCORDANCE WITH ASTM E2112

REVISIONS			
REV	DESCRIPTION	DATE	APPROVED



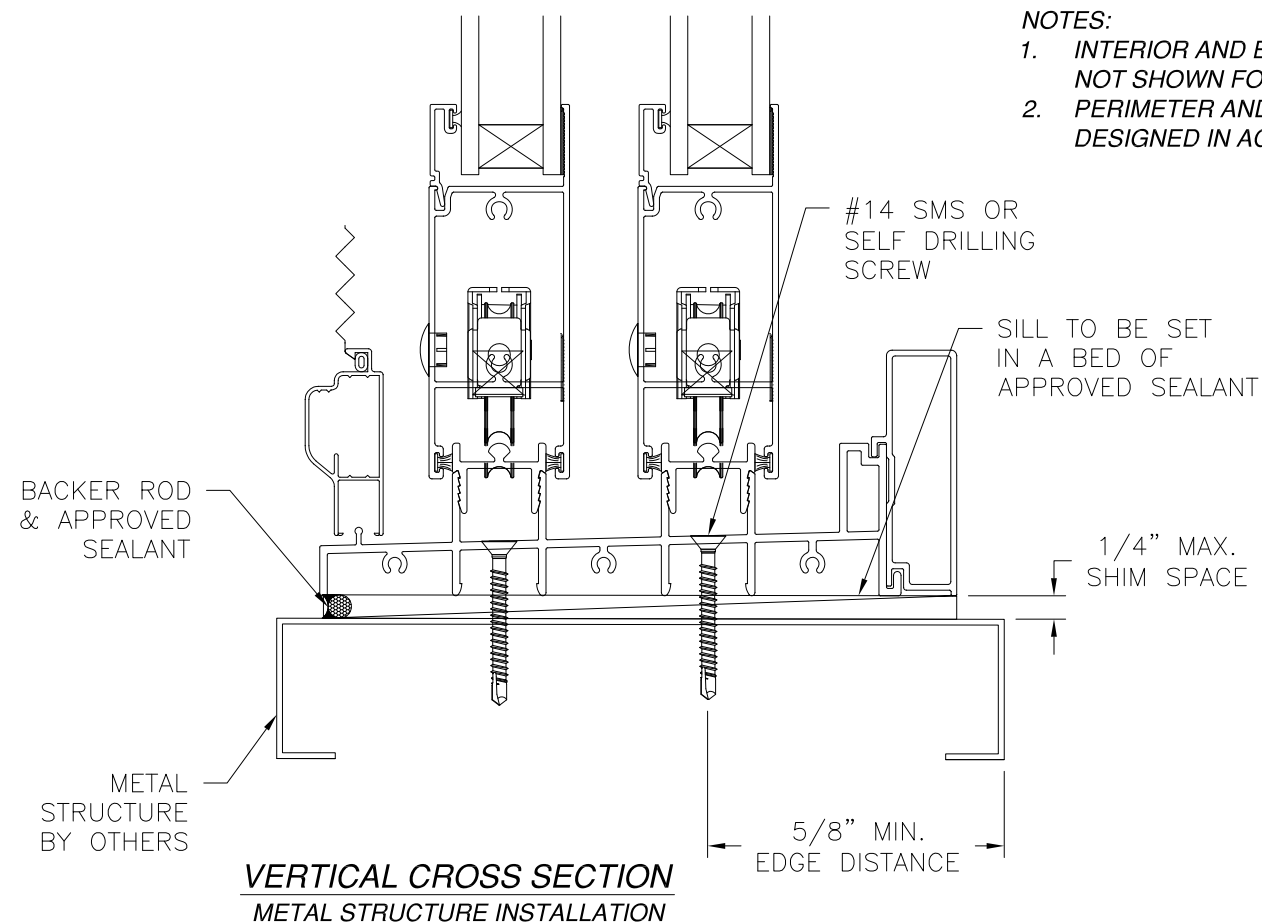
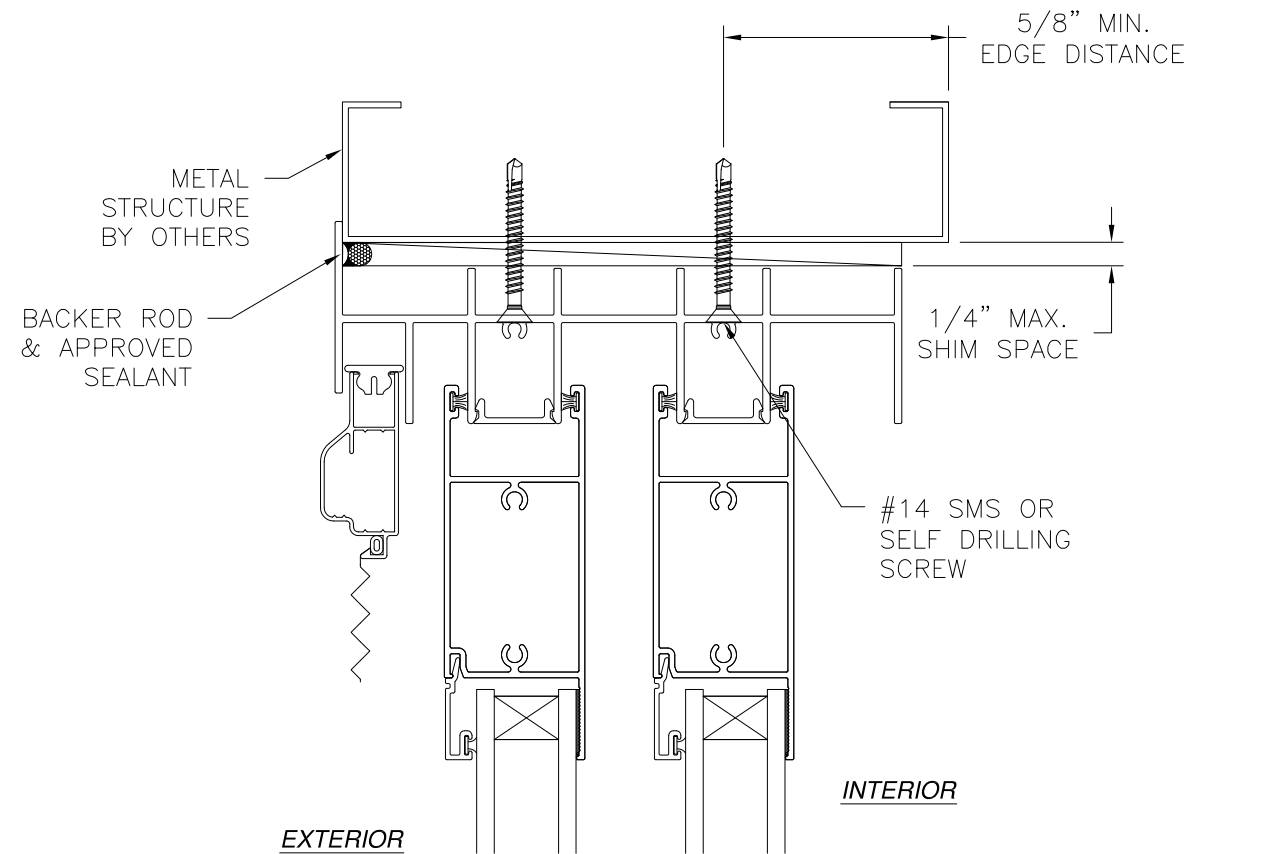
**JAMB INSTALLATION DETAIL**  
WOOD FRAMING OR 2X BUCK INSTALLATION

<p>MI WINDOWS AND DOORS LLC 650 WEST MARKET STREET GRATZ, PA 17030</p>		
<p>SERIES 120 ALUMINUM SLIDING GLASS DOOR OXO NON-IMPACT 145" X 96" FLANGE INSTALLATION DETAILS</p>		
DRAWN: A.R.	DWG NO. 08-03139	REV -
SCALE NTS	DATE 06/27/17	SHEET 7 OF 9
<p>L. ROBERTO LOMAS P.E. 1432 WOODFORD RD LEWISVILLE, NC 27023 434-688-0609 rllomas@rlomaspe.com</p>		

SIGNED: 05/02/2018



Luis R. Lomas P.E.  
TX No.: 101889

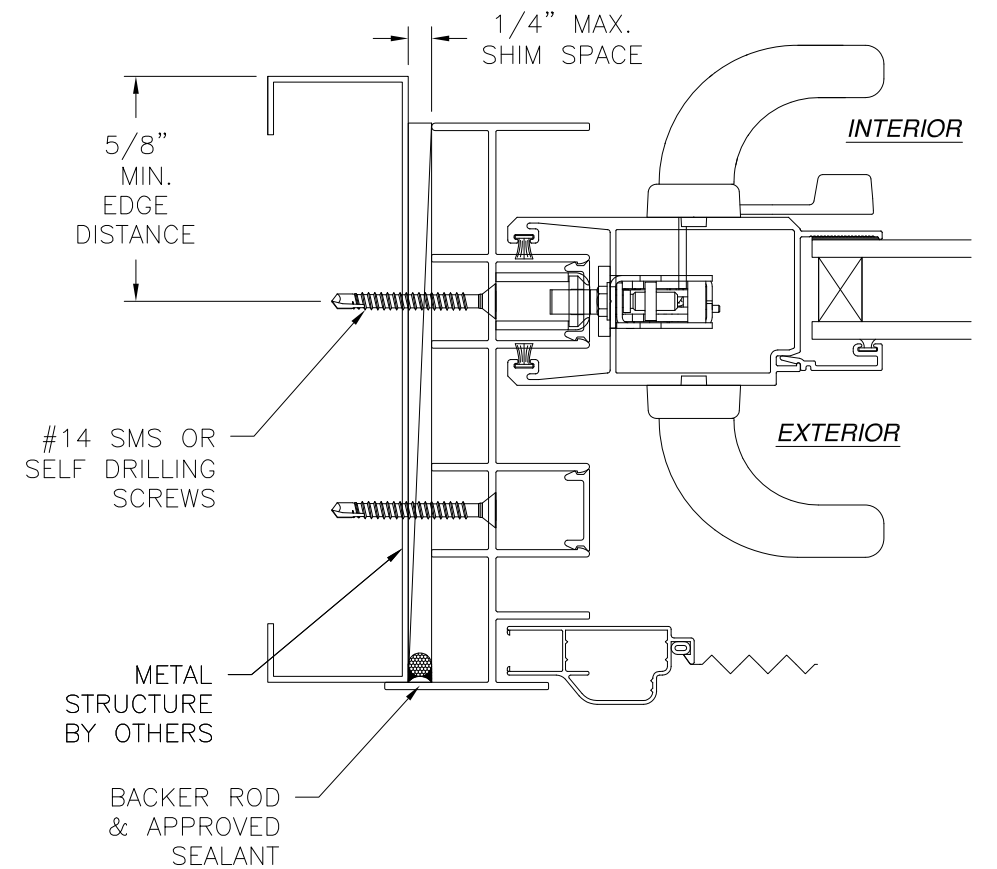


**VERTICAL CROSS SECTION**  
METAL STRUCTURE INSTALLATION

**NOTES:**

1. INTERIOR AND EXTERIOR FINISHES, BY OTHERS, NOT SHOWN FOR CLARITY.
2. PERIMETER AND JOINT SEALANT BY OTHERS TO BE DESIGNED IN ACCORDANCE WITH ASTM E2112

REVISIONS			
REV	DESCRIPTION	DATE	APPROVED



**JAMB INSTALLATION DETAIL**  
METAL STRUCTURE INSTALLATION

SIGNED: 05/02/2018

MI WINDOWS AND DOORS LLC  
650 WEST MARKET STREET  
GRATZ, PA 17030

SERIES 120 ALUMINUM SLIDING  
GLASS DOOR OXO NON-IMPACT 145" X 96"  
FLANGE INSTALLATION DETAILS

DRAWN: A.R.	DWG NO. 08-03139	REV -
SCALE NTS	DATE 06/27/17	SHEET 8 OF 9

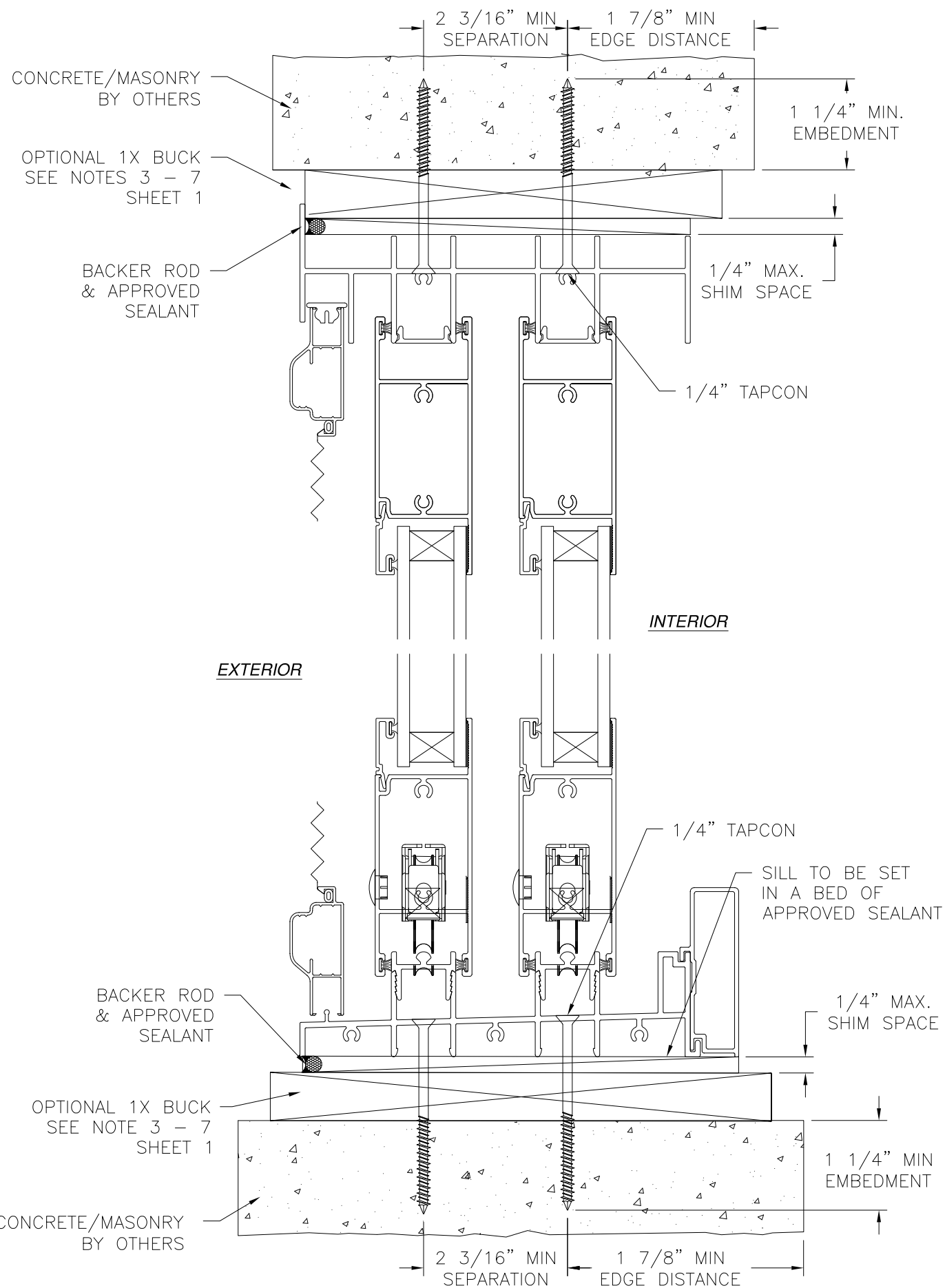
L. ROBERTO LOMAS P.E.  
1432 WOODFORD RD LEWISVILLE, NC 27023  
434-688-0609 rllomas@rlomaspe.com



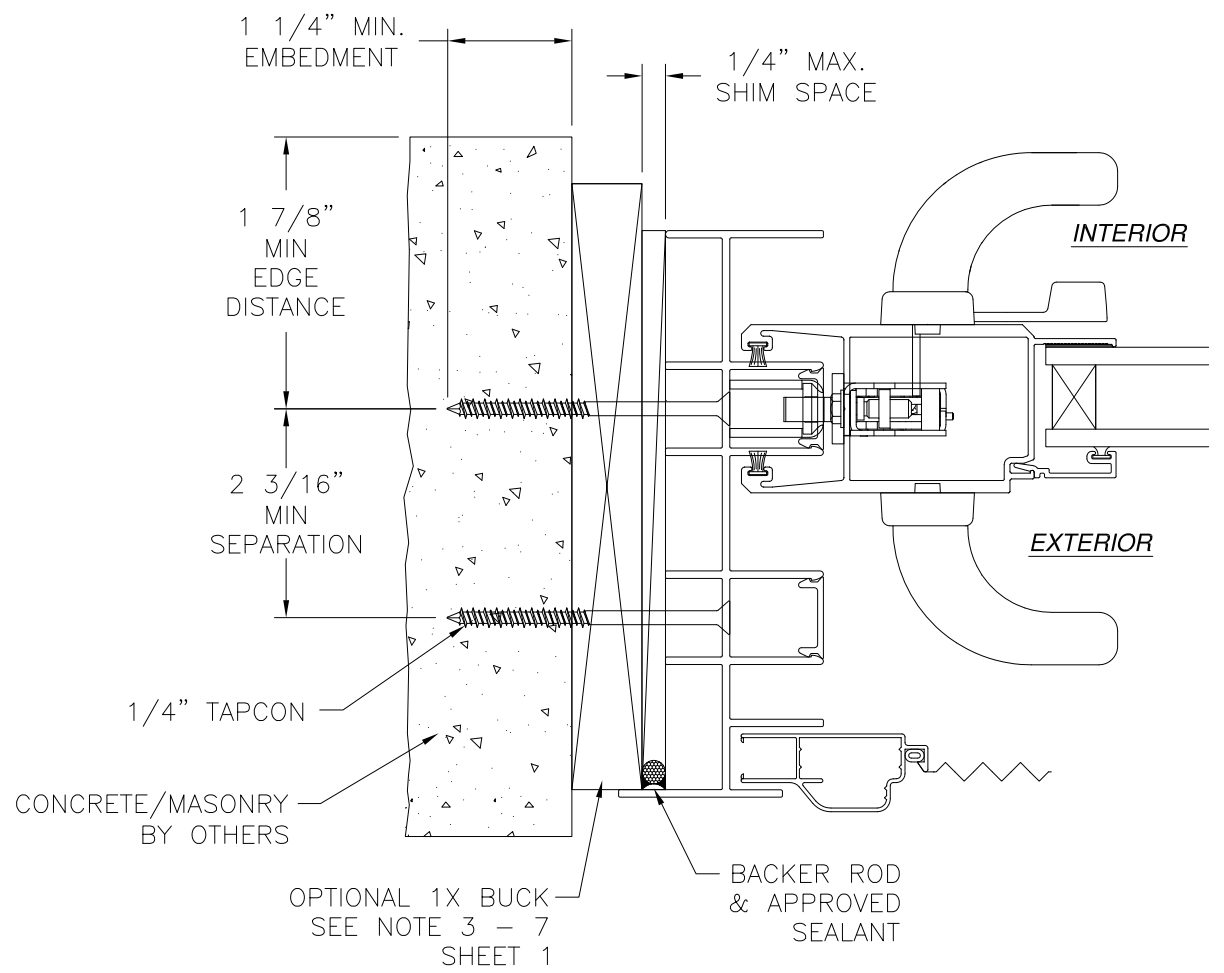
Luis R. Lomas P.E.  
TX No.: 101889



REVISIONS			
REV	DESCRIPTION	DATE	APPROVED



**VERTICAL CROSS SECTION  
CONCRETE/MASONRY INSTALLATION**



**JAMB INSTALLATION DETAIL  
CONCRETE/MASONRY INSTALLATION**

- NOTES:**
1. INTERIOR AND EXTERIOR FINISHES, BY OTHERS, NOT SHOWN FOR CLARITY.
  2. PERIMETER AND JOINT SEALANT BY OTHERS TO BE DESIGNED IN ACCORDANCE WITH ASTM E2112

SIGNED: 05/02/2018

MI WINDOWS AND DOORS LLC 650 WEST MARKET STREET GRATZ, PA 17030		
SERIES 120 ALUMINUM SLIDING GLASS DOOR OXO NON-IMPACT 145" X 96" FLANGE INSTALLATION DETAILS		
DRAWN: A.R.	DWG NO. 08-03139	REV -
SCALE NTS	DATE 06/27/17	SHEET 9 OF 9
L. ROBERTO LOMAS P.E. 1432 WOODFORD RD LEWISVILLE, NC 27023 434-688-0609 rllomas@rlomaspe.com		



Luis R. Lomas P.E.  
TX No.: 101889