



# EXTRUDED ALUMINUM COLONIAL HURRICANE SHUTTER "IMPACT"

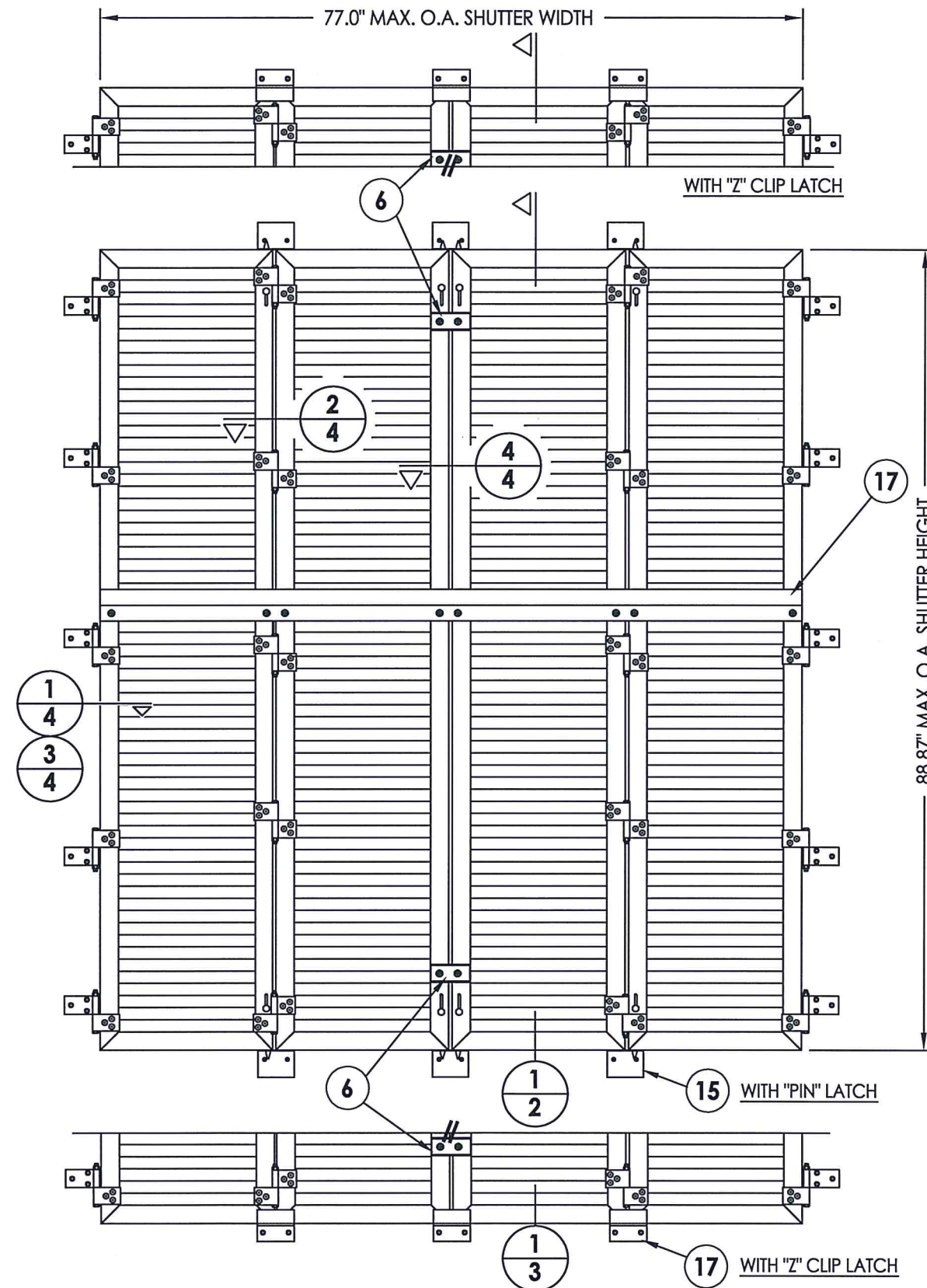
## Evaluated For Use In The State of Texas

The panel storm shutter system described herein complies with the 2018 International Residential Code (IRC), Section R301.2.1.2 and the 2018 International Building Code (IBC), Section 1609.2 subject to the following conditions:

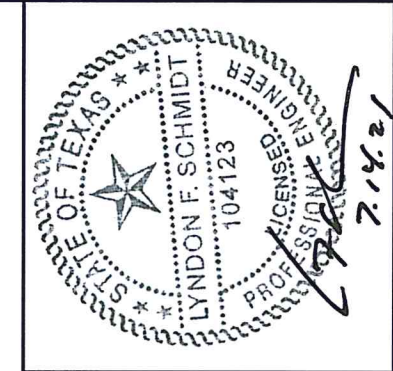
1. This system has been tested and evaluated as a large missile impact protective system and meets missile level "D" and includes Wind Zone 4 as defined in ASTM E1996.
2. Positive and negative design pressures to be used with these drawings shall be determined by others for specific jobs in accordance with the local governing code.
3. The system detailed herein is generic and does not provide information for a specific site. The details herein cover connection to wood, concrete and CMU substrates. If site conditions deviate from the conditions detailed herein, a licensed engineer or registered architect shall prepare site specific documents to be used in conjunction with this document.
4. All extrusions shall be 6063-T6 aluminum alloy, unless noted otherwise.
5. All bolts & washers shall be corrosion resistant in compliance with the IRC and IBC.
6. Permit holder shall verify the adequacy of the existing structure to withstand new superimposed loads.
7. Storm panels have been designed and tested to the maximum spans and loads shown on these drawings.

TABLE OF CONTENTS

SHEET#	DESCRIPTION
1	Typical elevation, design pressures & general notes
2	Vertical cross sections masonry & stud construction
3	Vertical cross sections masonry & stud construction
4	Horizontal cross sections masonry & stud construction
5	Anchoring locations masonry and stud installation
6	Anchoring locations masonry and stud installation
7	Bill of materials & components



LATCH TYPE	MAX. FRAME DIMENSION	DESIGN PRESSURE (PSF)	
		POSITIVE	NEGATIVE
"PIN"	77.0" X 88.87"	+65.0	-65.0
"Z" CLIP	77.0" X 88.87"	+80.0	-90.0



Documents Prepared By: Lyndon F. Schmidt, P.E.  
TEXAS P.E. #104123

RW BUILDING CONSULTANTS, INC.  
P.O. Box 230 Valrico FL, 33595  
Phone No.: 813.659.9197

TEXAS BOARD OF PROFESSIONAL ENGINEERS  
CERTIFICATE OF REGISTRATION # F-11852

PRODUCT: EXTRUDED ALUMINUM COLONIAL HURRICANE SHUTTER  
PART OR ASSEMBLY:  
TYPICAL ELEVATION, DESIGN PRESSURES & GENERAL NOTES

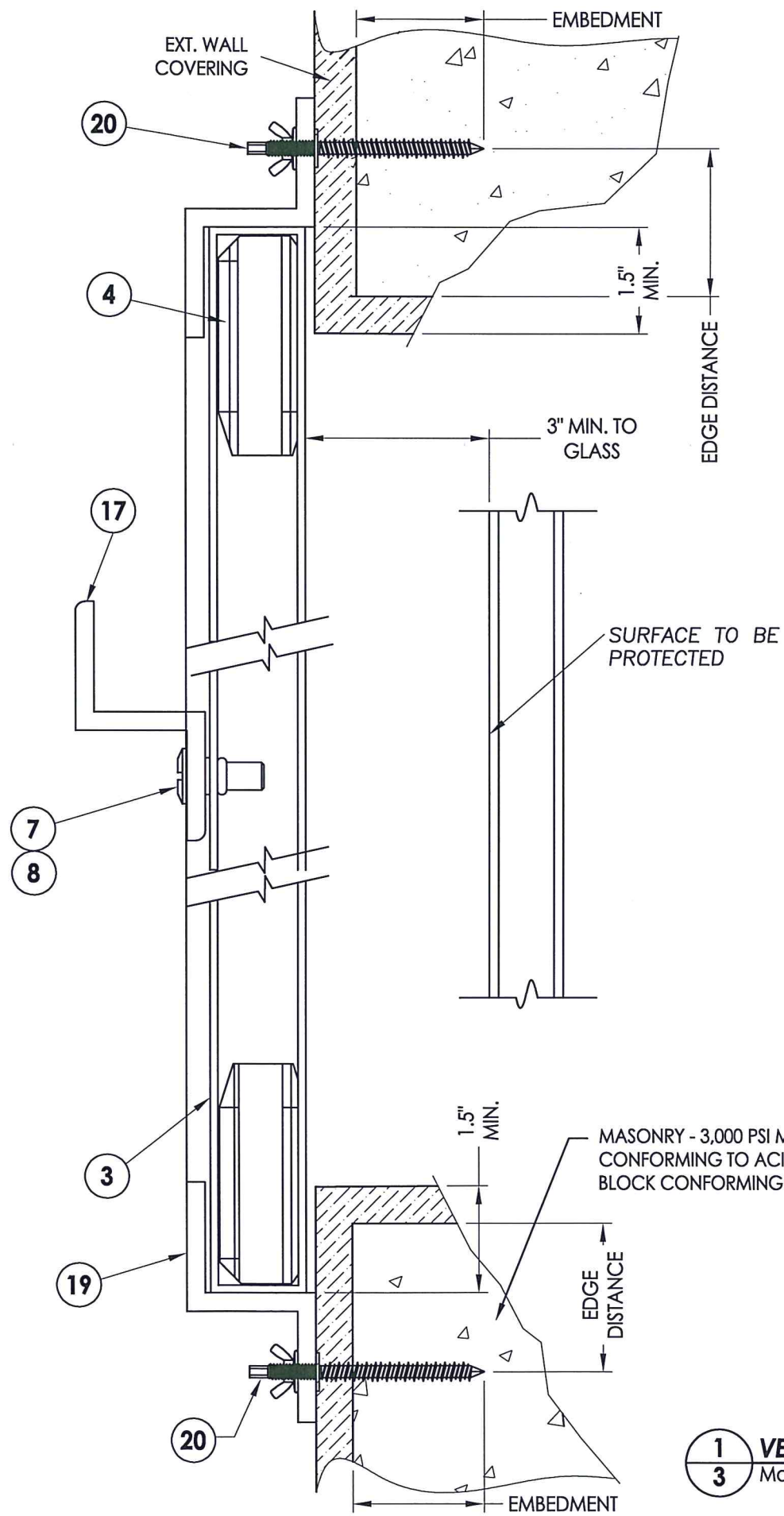
NO.	DATE	BY	REVISIONS

DATE: 1/21/21  
SCALE: N.T.S.  
DWG. BY: RW  
CHK. BY: LFS  
DRAWING NO.: TX-5149  
SHEET 1 OF 7

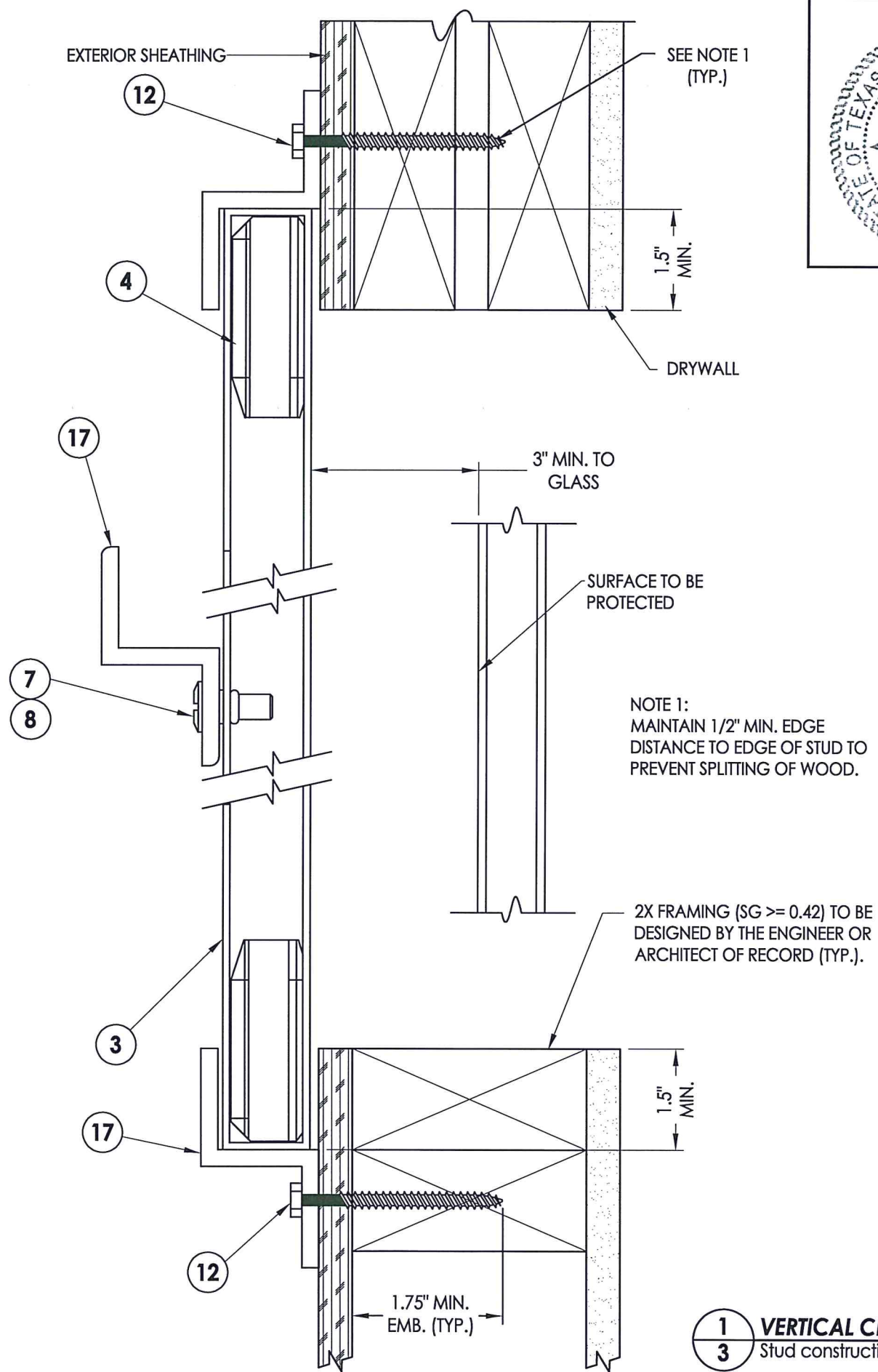




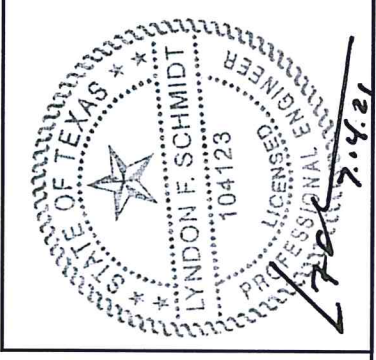




**1** VERTICAL CROSS SECTION  
**3** Masonry construction



**1** VERTICAL CROSS SECTION  
**3** Stud construction



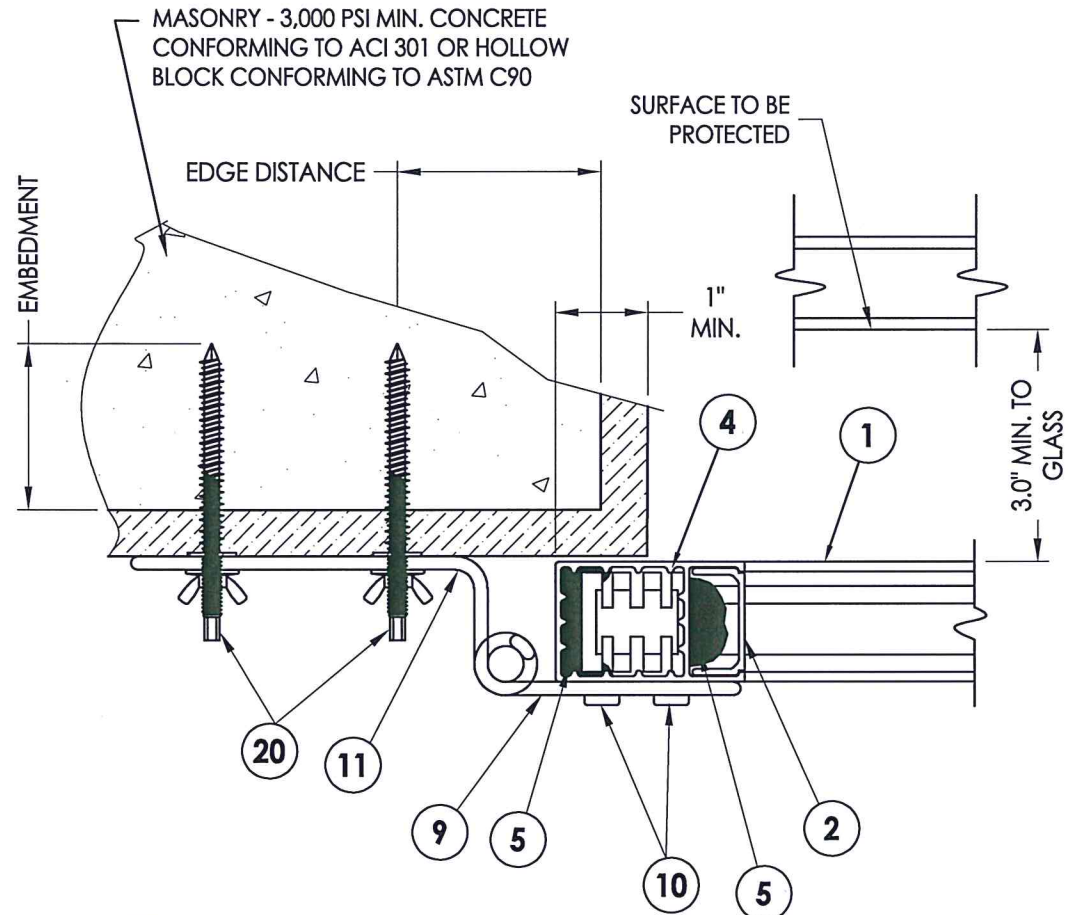
Documents Prepared By: Lyndon F. Schmidt, P.E.  
 TEXAS P.E. #104123

**RW** BUILDING CONSULTANTS, INC.  
 P.O. Box 230 Valrico FL, 33595  
 Phone No.: 813.659.9197  
 TEXAS BOARD OF PROFESSIONAL ENGINEERS  
 CERTIFICATE OF REGISTRATION # F-11852

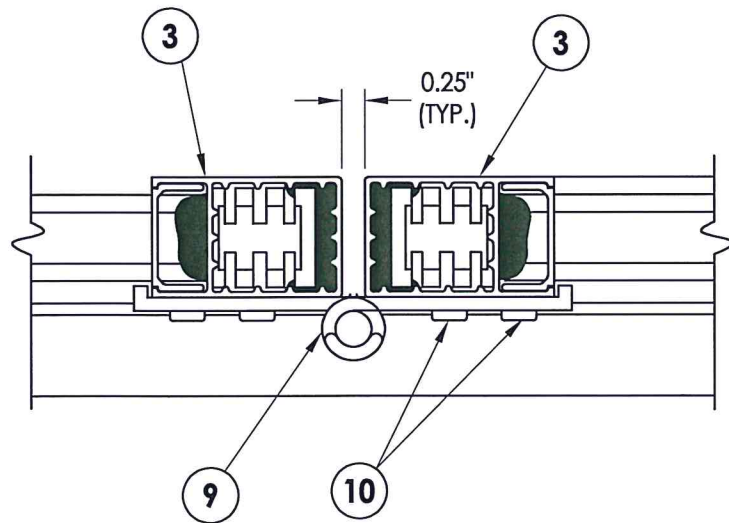
PRODUCT: EXTRUDED ALUMINUM COLONIAL HURRICANE SHUTTER PART OR ASSEMBLY:  
 VERTICAL CROSS SECTIONS MASONRY & STUD CONSTRUCTION

NO.	DATE	BY	REVISIONS

DATE: 1/21/21  
 SCALE: N.T.S.  
 DWG. BY: RW  
 CHK. BY: LFS  
 DRAWING NO.: TX-5149  
 SHEET 3 OF 7

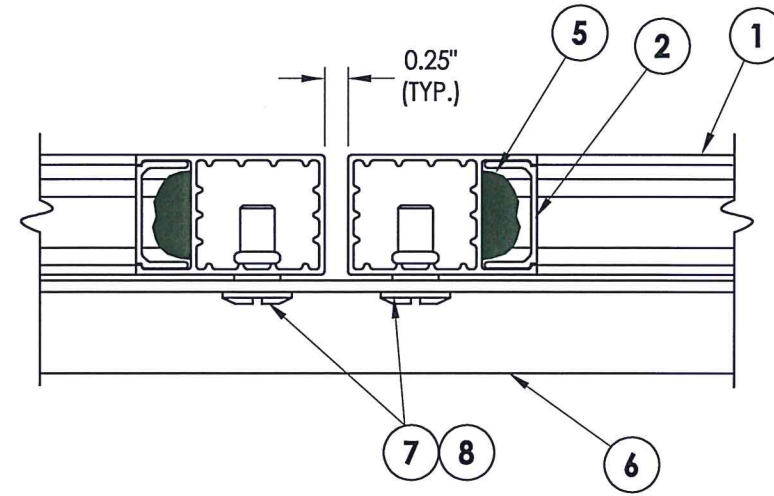


**1** HORIZONTAL CROSS SECTION  
**4** Masonry construction

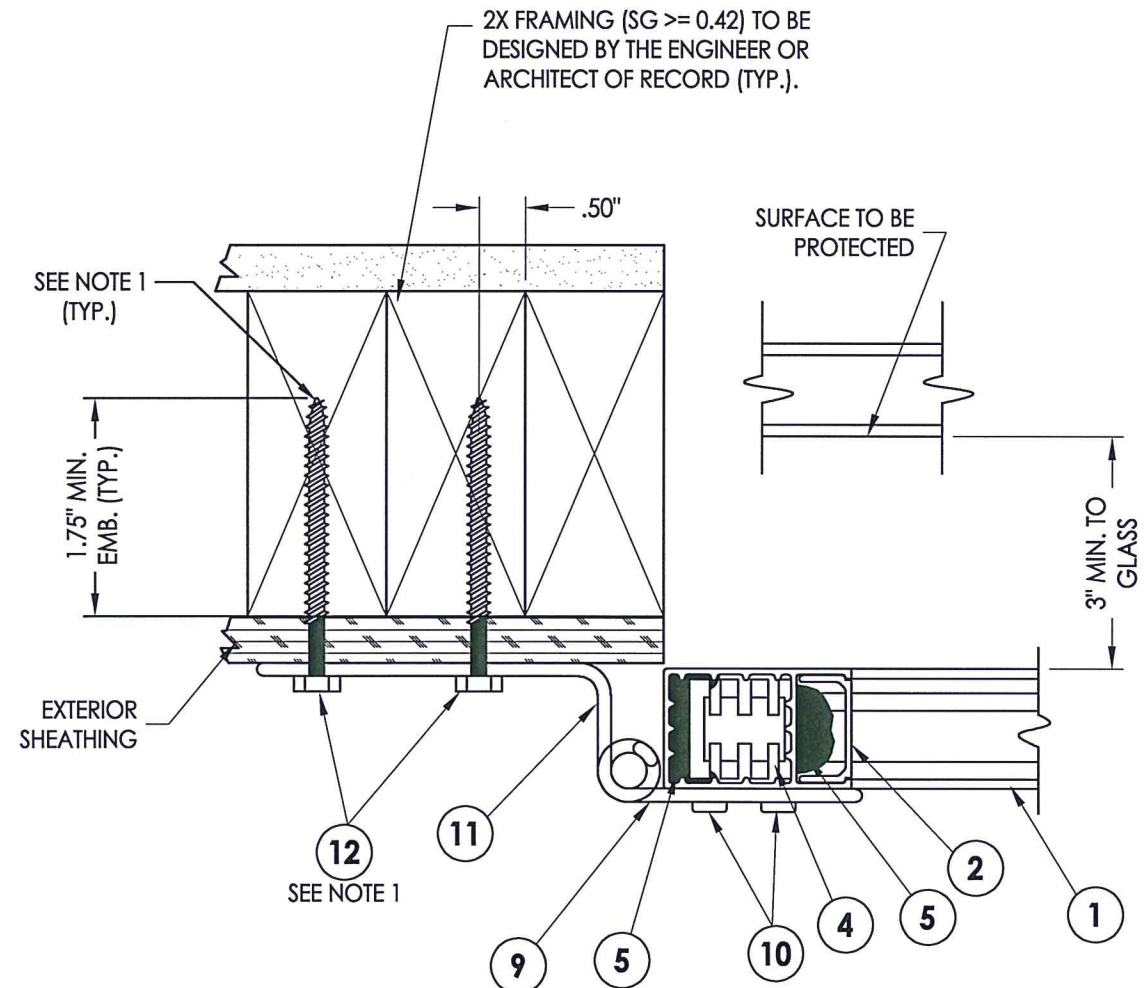


**2** HORIZONTAL CROSS SECTION  
**4** Stud construction

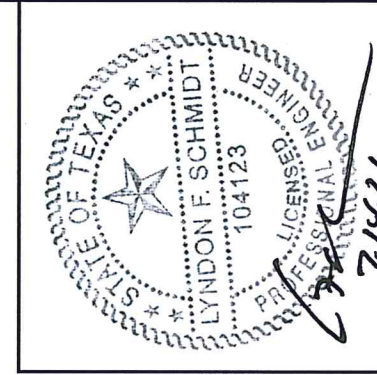
NOTE 1:  
MAINTAIN 1/2" MIN. EDGE DISTANCE TO EDGE OF  
STUD TO PREVENT SPLITTING OF WOOD.



**4** HORIZONTAL CROSS SECTION  
**4**



**3** HORIZONTAL CROSS SECTION  
**4** Stud construction



Documents Prepared By: Lyndon F. Schmidt, P.E.  
TEXAS P.E. #104123

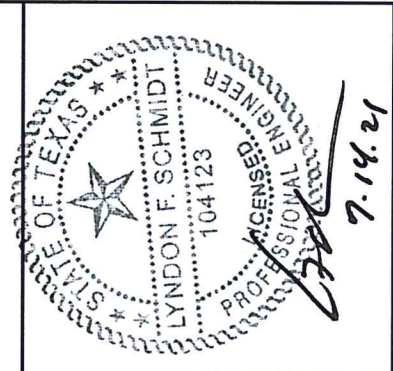
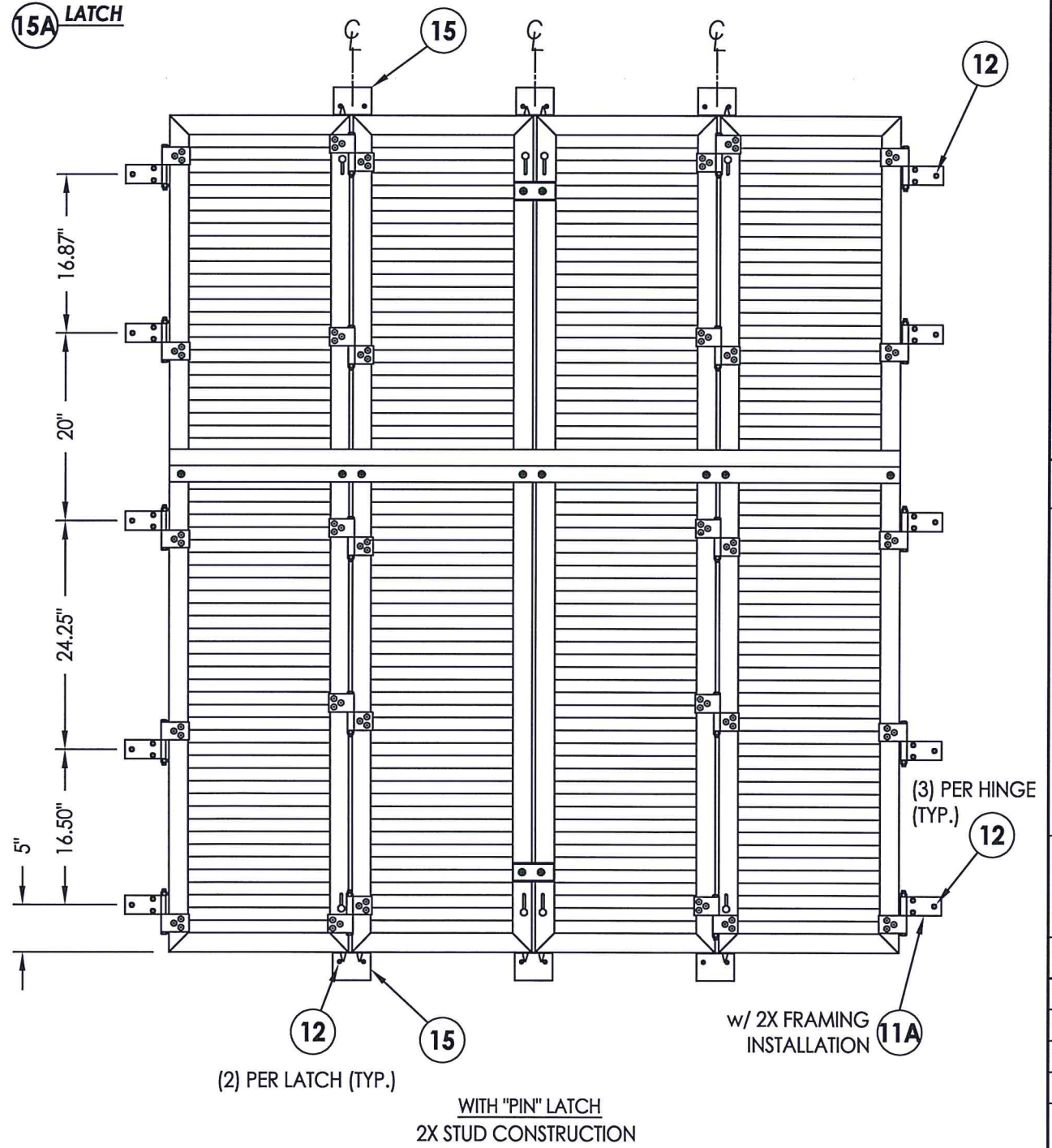
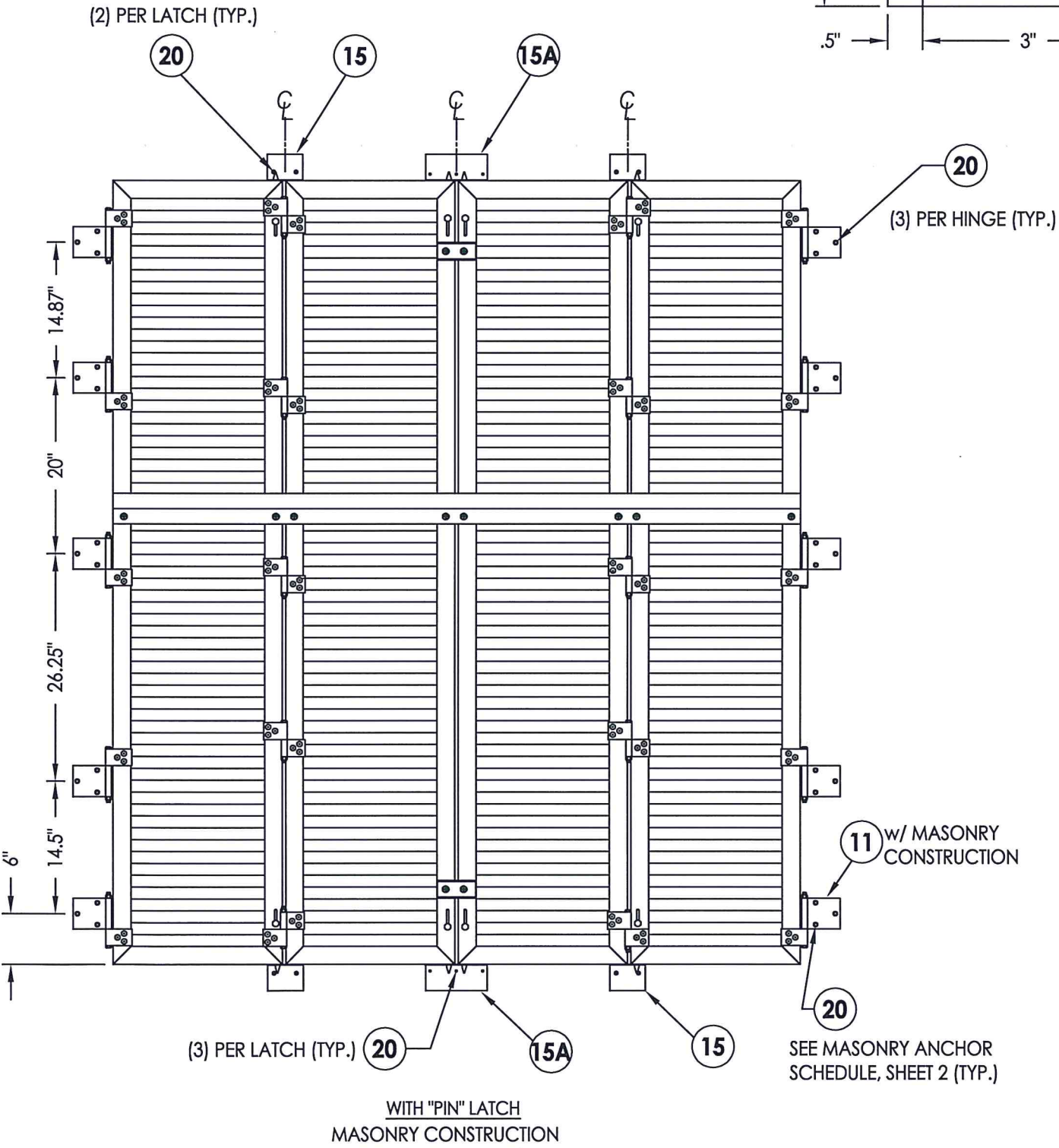
**RW** BUILDING CONSULTANTS, INC.  
P.O. Box 230 Valrico FL 33595  
Phone No.: 813.659.9197  
TEXAS BOARD OF PROFESSIONAL ENGINEERS  
CERTIFICATE OF REGISTRATION # F-11852

PRODUCT:  
EXTRUDED ALUMINUM  
COLONIAL HURRICANE SHUTTER  
PART OR ASSEMBLY:  
HORIZONTAL CROSS SECTIONS  
MASONRY & STUD CONSTRUCTION

NO.	DATE	BY	REVISIONS

DATE: 1/21/21  
SCALE: N.T.S.  
DWG. BY: RW  
CHK. BY: LFS  
DRAWING NO.: TX-5149  
SHEET 4 OF 7





Documents Prepared By: Lyndon F. Schmidt, P.E.  
 TEXAS P.E. #104123

**RW** BUILDING CONSULTANTS, INC.  
 P.O. Box 230 Valrico FL 33595  
 Phone No.: 813.659.9197

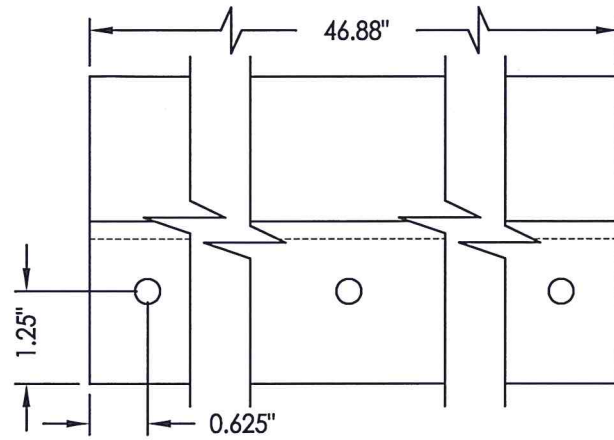
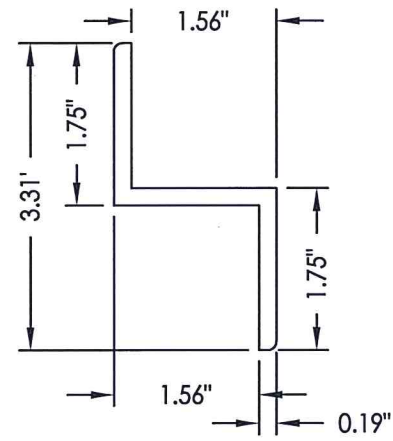
TEXAS BOARD OF PROFESSIONAL ENGINEERS  
 CERTIFICATE OF REGISTRATION # F-11852

PRODUCT:  
 EXTRUDED ALUMINUM  
 COLONIAL HURRICANE SHUTTER  
 PART OR ASSEMBLY:  
 ANCHORING LOCATIONS  
 MASONRY & STUD INSTALLATION

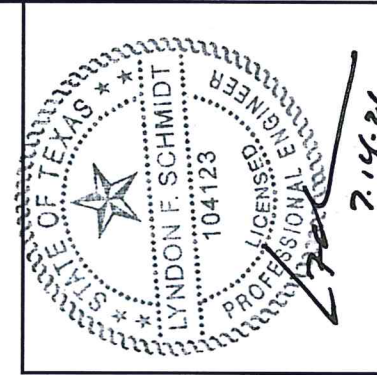
NO.	DATE	BY	REVISIONS

DATE: 1/21/21  
 SCALE: N.T.S.  
 DWG. BY: RW  
 CHK. BY: LFS  
 DRAWING NO.: TX-5149  
 SHEET 5 OF 7





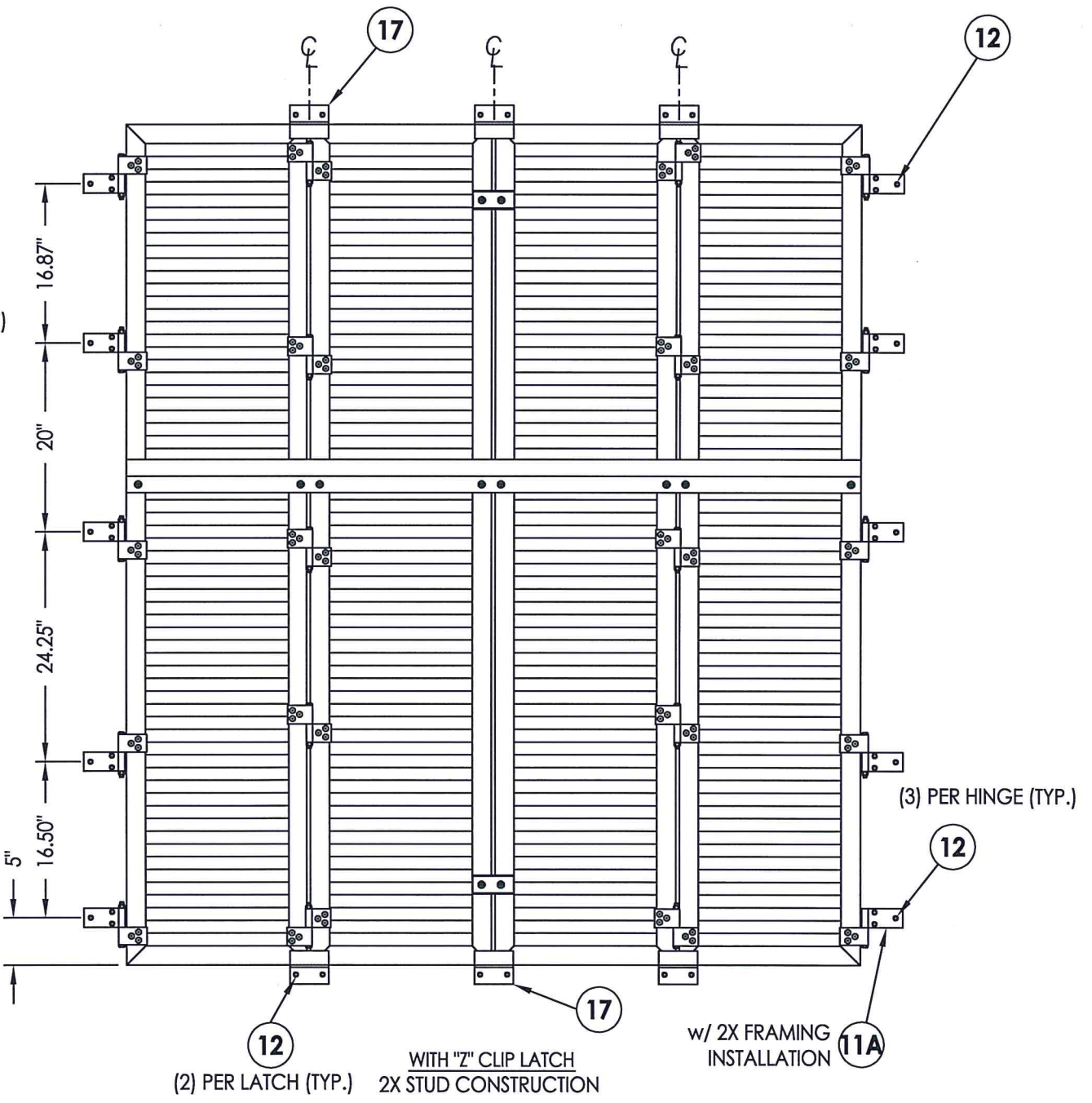
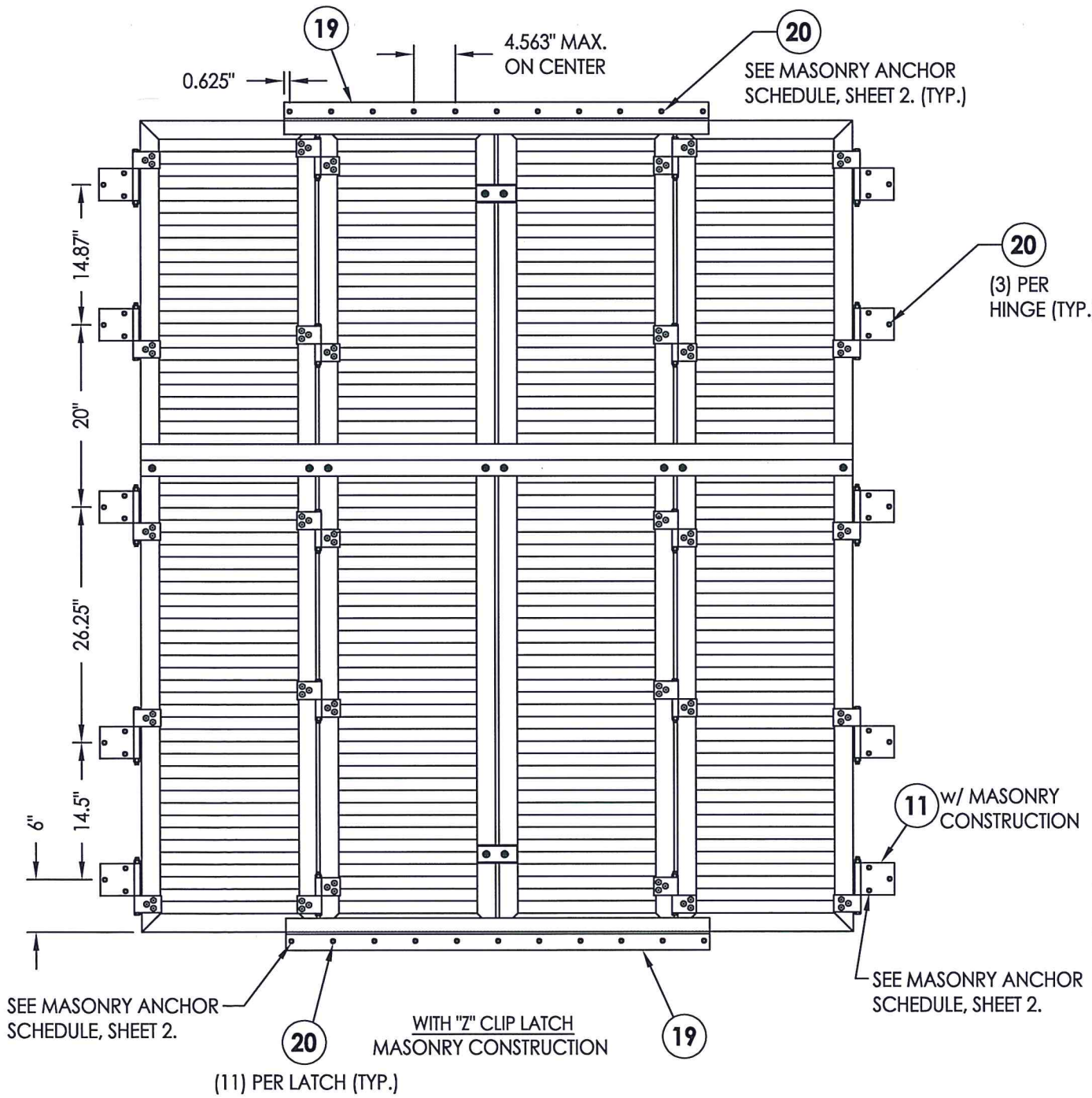
**19 "Z" CLIP EXTENDED LATCH**  
ALUMINUM 6063-T6



Documents Prepared By: Lyndon F. Schmidt, P.E.  
TEXAS P.E. #104123

**RW** BUILDING CONSULTANTS, INC.  
P.O. Box 230 Valrico FL 33595  
Phone No.: 813.659.9197

TEXAS BOARD OF PROFESSIONAL ENGINEERS  
CERTIFICATE OF REGISTRATION # F-11852



PRODUCT:  
EXTRUDED ALUMINUM  
COLONIAL HURRICANE SHUTTER  
PART OR ASSEMBLY:  
ANCHORING LOCATIONS  
MASONRY & STUD INSTALLATION

NO.	DATE	BY	REVISIONS

DATE: 1/21/21  
SCALE: N.T.S.  
DWG. BY: RW  
CHK. BY: LFS  
DRAWING NO.: TX-5149  
SHEET 6 OF 7



