



EXTRUDED ALUMINUM BAHAMA HURRICANE SHUTTER "IMPACT"

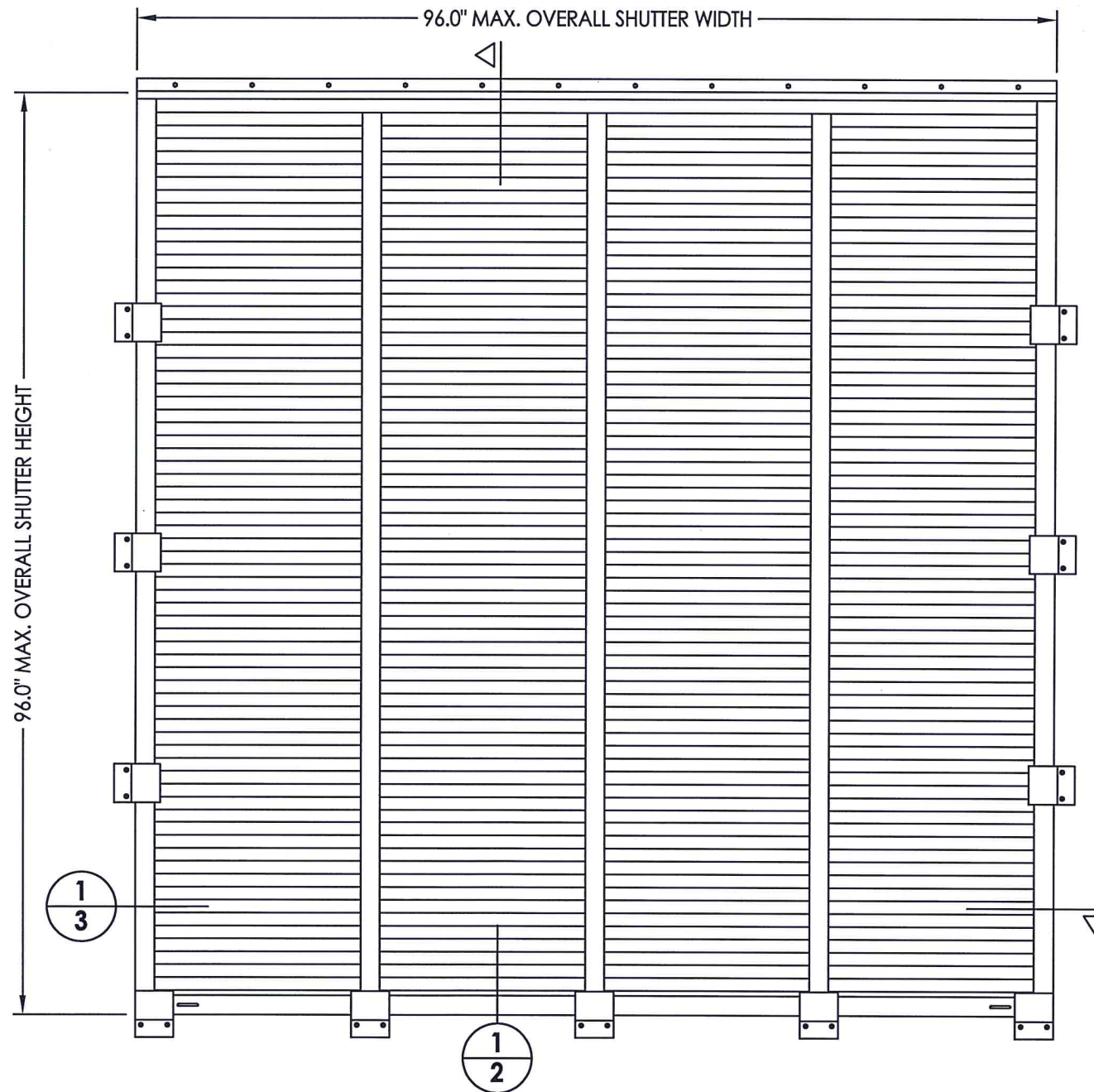
Evaluated For Use In The State of Texas

The panel storm shutter system described herein complies with the 2018 International Residential Code (IRC), Section R301.2.1.2 and the 2018 International Building Code (IBC), Section 1609.2 subject to the following conditions:

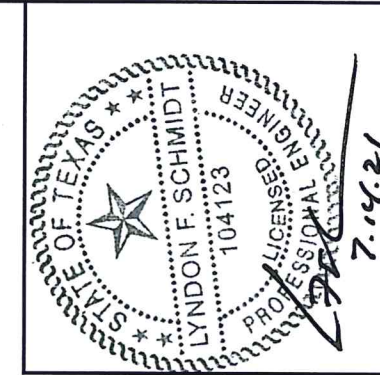
1. This system has been tested and evaluated as a large missile impact protective system and meets missile level "D" and includes Wind Zone 4 as defined in ASTM E1996.
2. Positive and negative design pressures to be used with these drawings shall be determined by others for specific jobs in accordance with the local governing code.
3. The system detailed herein is generic and does not provide information for a specific site. The details herein cover connection to wood, concrete and CMU substrates. If site conditions deviate from the conditions detailed herein, a licensed engineer or registered architect shall prepare site specific documents to be used in conjunction with this document.
4. All extrusions shall be 6063-T6 aluminum alloy, unless noted otherwise.
5. All bolts & washers shall be corrosion resistant in compliance with the IRC and IBC.
6. Permit holder shall verify the adequacy of the existing structure to withstand new superimposed loads.
7. Storm panels have been designed and tested to the maximum spans and loads shown on these drawings.

TABLE OF CONTENTS

SHEET#	DESCRIPTION
1	Typical elevation, design pressures & general notes
2	Vertical cross sections masonry & stud construction
3	Horizontal cross sections masonry & stud construction
4	Anchoring locations 2x stud installation
5	Anchoring locations masonry installation
6	Bill of materials & components



MAX. FRAME DIMENSION	DESIGN PRESSURE (PSF)	
	POSITIVE	NEGATIVE
96.0" x 96.0"	+50.0	-55.0



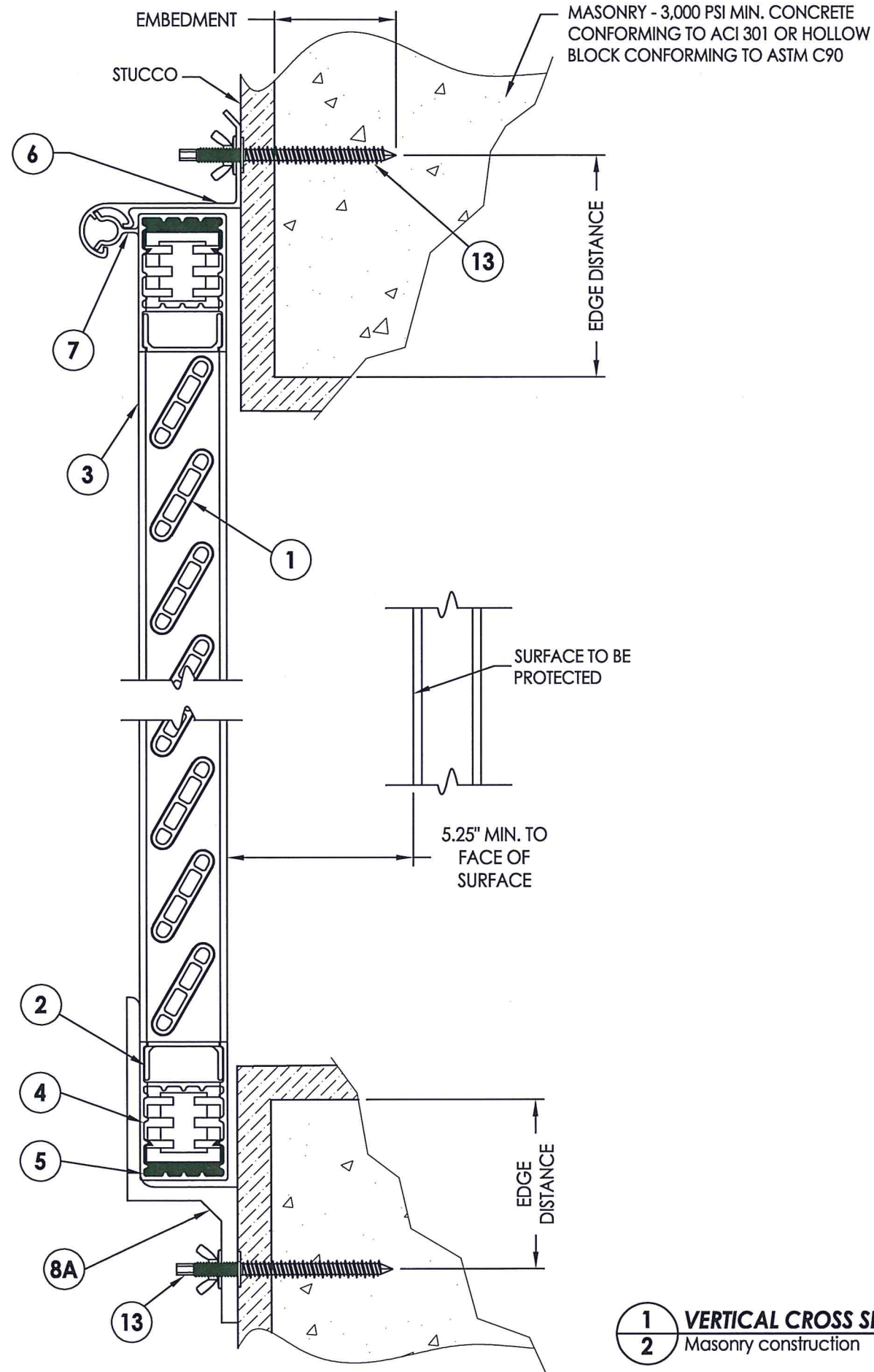
Documents Prepared By: Lyndon F. Schmidt, P.E.
TEXAS P.E. #104123

RW BUILDING CONSULTANTS, INC.
P.O. Box 230 Valrico FL 33595
Phone No.: 813.659.9197
TEXAS BOARD OF PROFESSIONAL ENGINEERS
CERTIFICATE OF REGISTRATION # F-11852

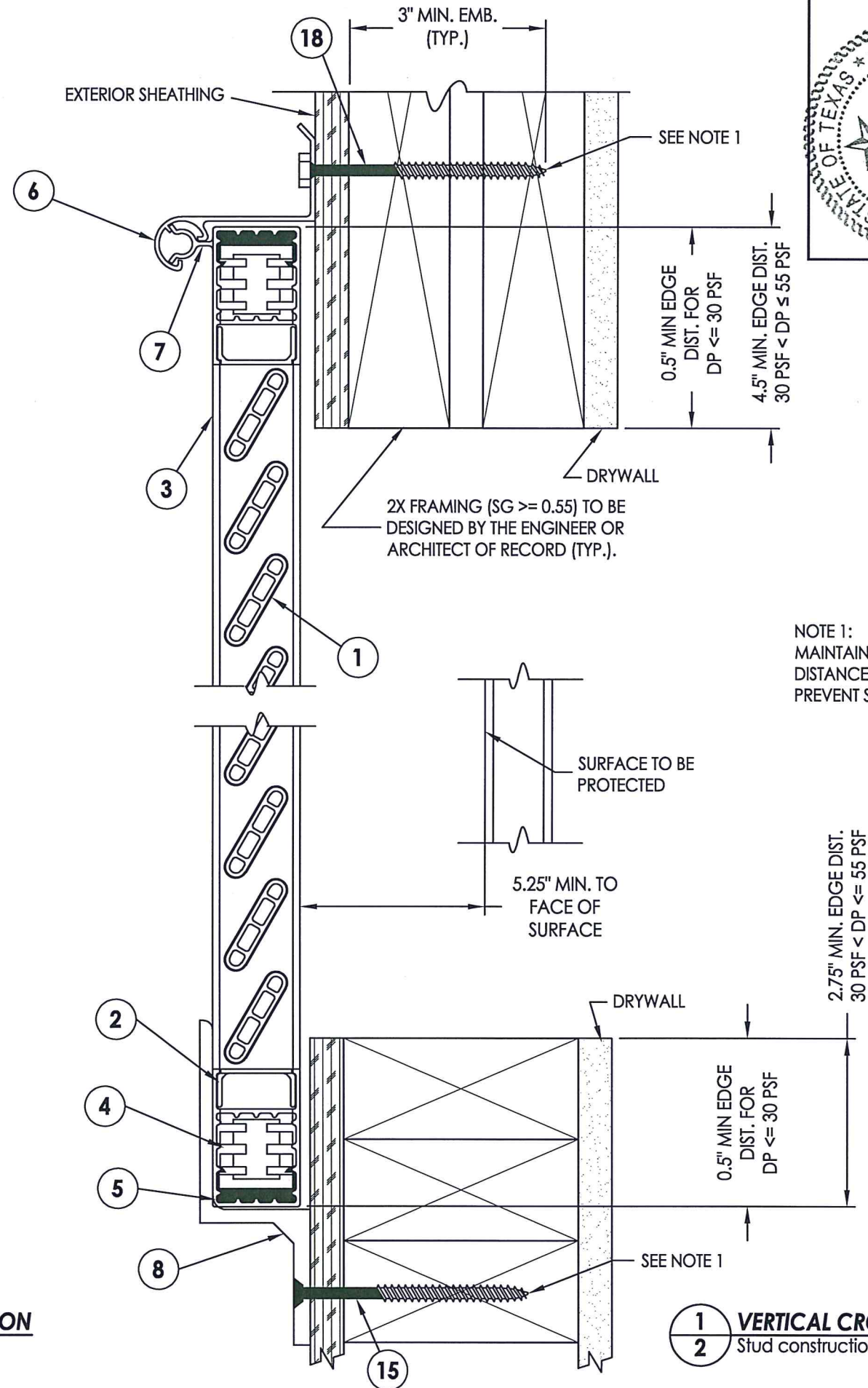
PRODUCT: EXTRUDED ALUMINUM BAHAMA HURRICANE SHUTTER
PART OR ASSEMBLY:
TYPICAL ELEVATION, DESIGN PRESSURES & GENERAL NOTES

NO.	DATE	BY	REVISIONS

DATE: 1/20/21
SCALE: N.T.S.
DWG. BY: RW
CHK. BY: LFS
DRAWING NO.: TX-5147
SHEET 1 OF 6

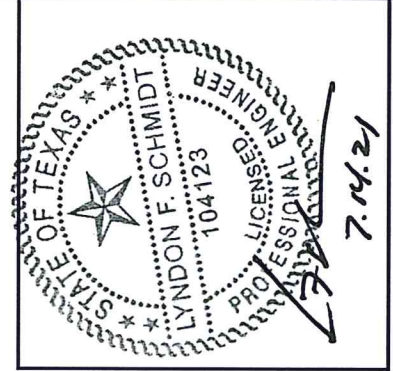


1 VERTICAL CROSS SECTION
2 Masonry construction



1 VERTICAL CROSS SECTION
2 Stud construction

NOTE 1:
 MAINTAIN 1/2\"/>



Documents Prepared By: Lyndon F. Schmidt, P.E.
 TEXAS P.E. #104123

RW BUILDING CONSULTANTS, INC.
 P.O. Box 230 Valrico FL, 33595
 Phone No.: 813.659.9197

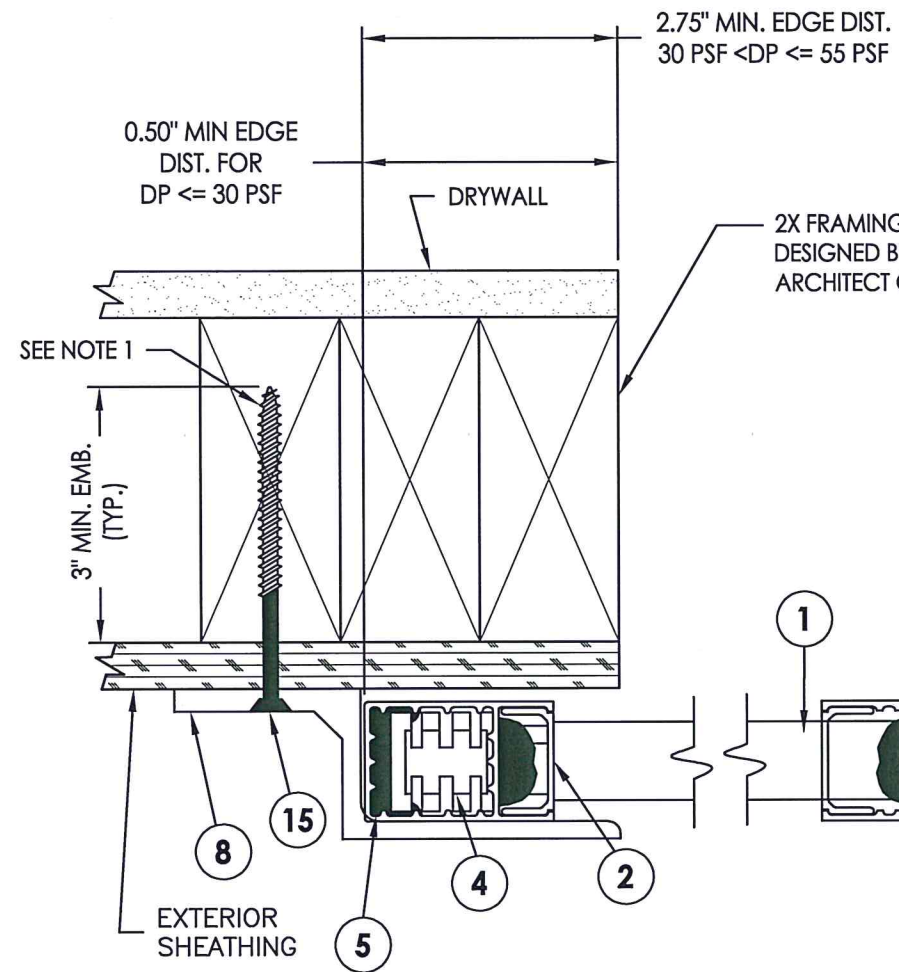
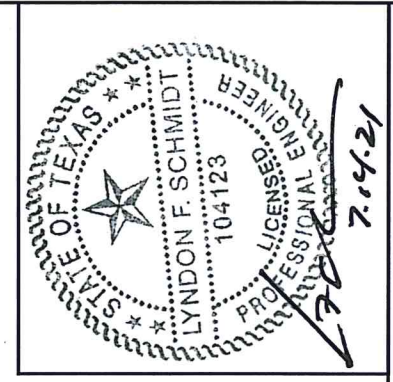
TEXAS BOARD OF PROFESSIONAL ENGINEERS
 CERTIFICATE OF REGISTRATION # F-11852

PRODUCT:	EXTRUDED ALUMINUM BAHAMA HURRICANE SHUTTER PART OR ASSEMBLY:
NO.	DATE
BY	REVISIONS

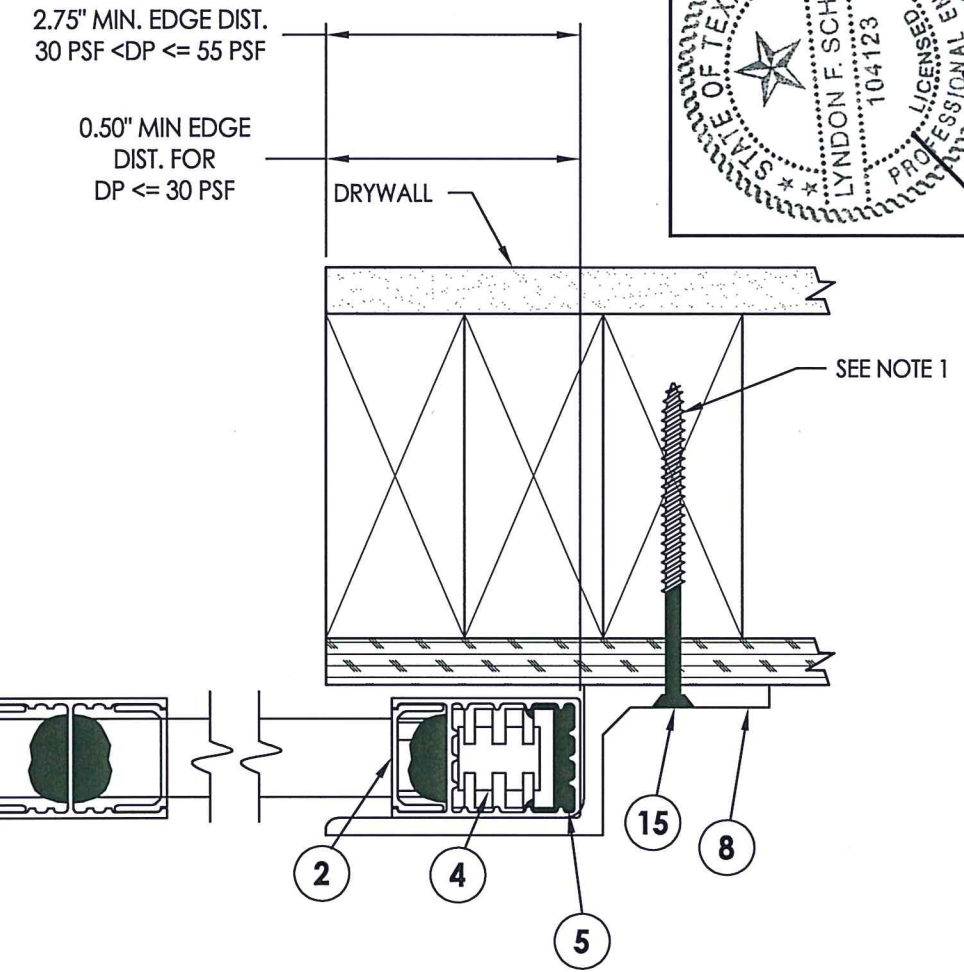
DATE:	1/20/21
SCALE:	N.T.S.
DWG. BY:	RW
CHK. BY:	LFS
DRAWING NO.:	TX-5147

NO.	DATE	BY

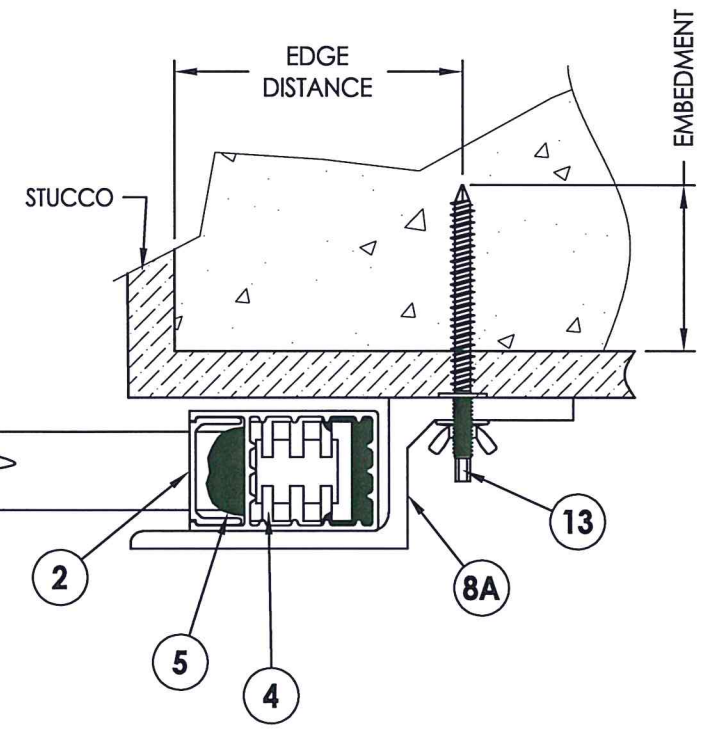
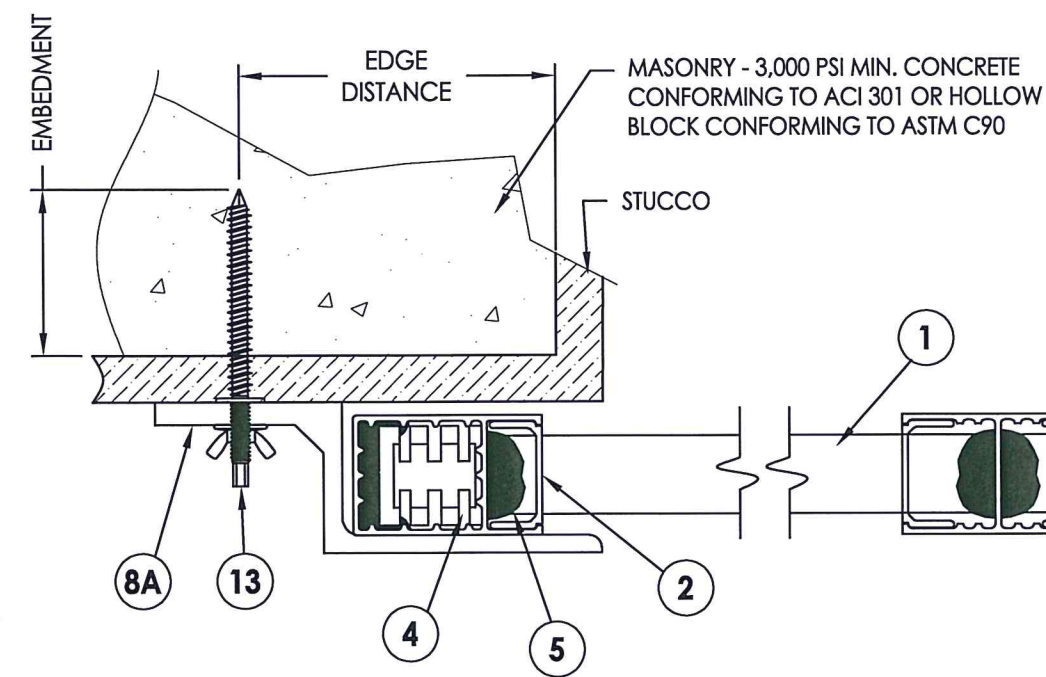
NOTE 1:
 MAINTAIN 1/2" MIN. EDGE DISTANCE TO EDGE OF STUD
 TO PREVENT SPLITTING OF WOOD.



1 HORIZONTAL CROSS SECTION
3 Stud construction



1 HORIZONTAL CROSS SECTION
3 Masonry construction



Documents Prepared By: Lyndon F. Schmidt, P.E.
 TEXAS P.E. #104123

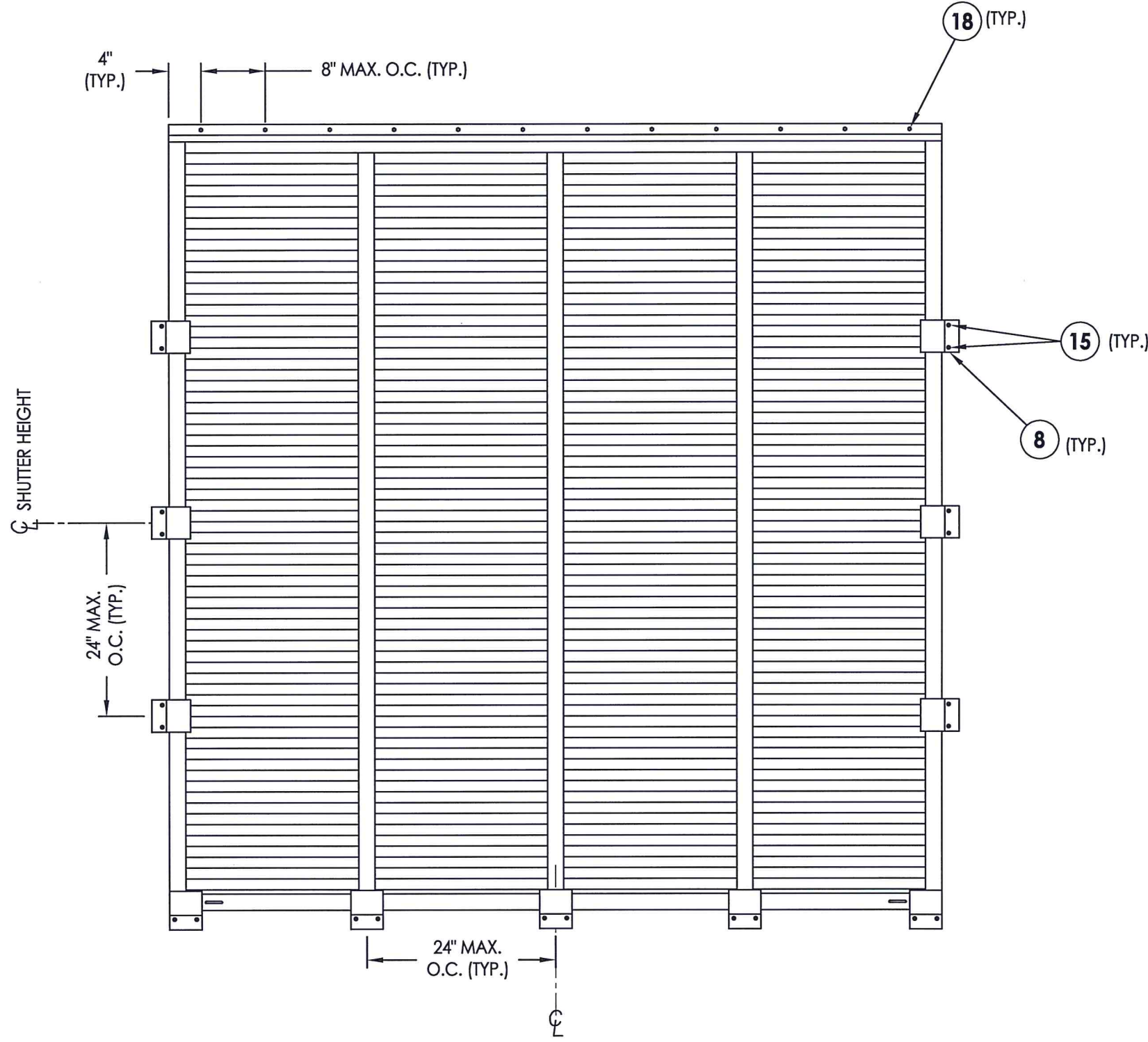
RW BUILDING CONSULTANTS, INC.
 P.O. Box 230 Valrico FL, 33595
 Phone No.: 813.659.9197

TEXAS BOARD OF PROFESSIONAL ENGINEERS
 CERTIFICATE OF REGISTRATION # F-11852

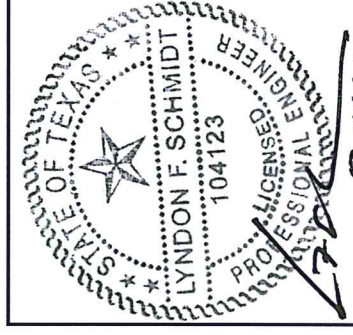
PRODUCT: EXTRUDED ALUMINUM
 BAHAMA HURRICANE SHUTTER
 PART OR ASSEMBLY:
 HORIZONTAL CROSS SECTIONS
 MASONRY & STUD CONSTRUCTION

NO.	DATE	BY	REVISIONS

DATE: 1/20/21
 SCALE: N.T.S.
 DWG. BY: RW
 CHK. BY: LFS
 DRAWING NO.: TX-5147
 SHEET 3 OF 6



ANCHORING STUD CONSTRUCTION



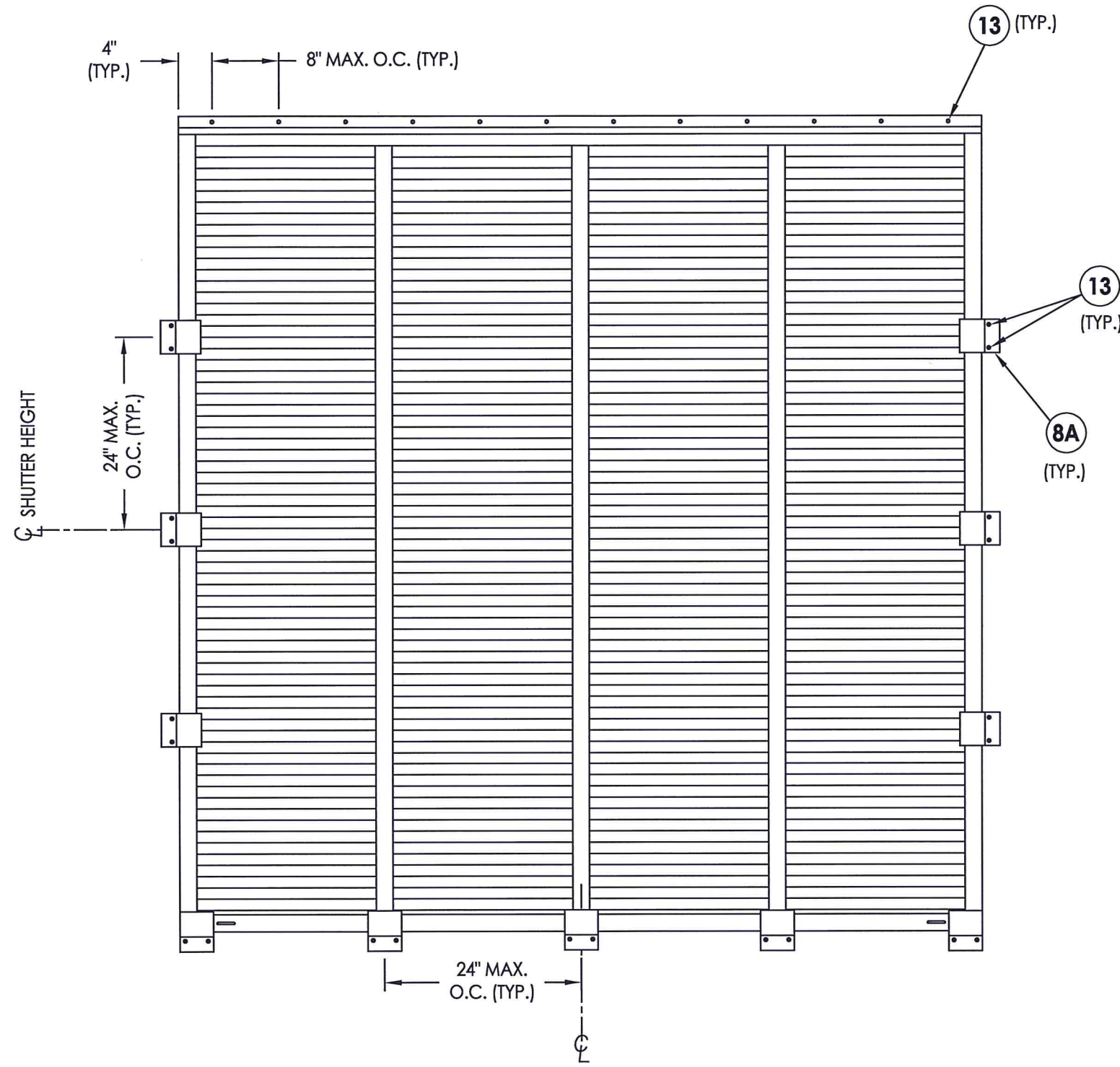
Documents Prepared By: Lyndon F. Schmidt, P.E.
TEXAS P.E. #104123

RW BUILDING CONSULTANTS, INC.
P.O. Box 230 Vairico FL, 33595
Phone No.: 813.659.9197
TEXAS BOARD OF PROFESSIONAL ENGINEERS
CERTIFICATE OF REGISTRATION # F-11852

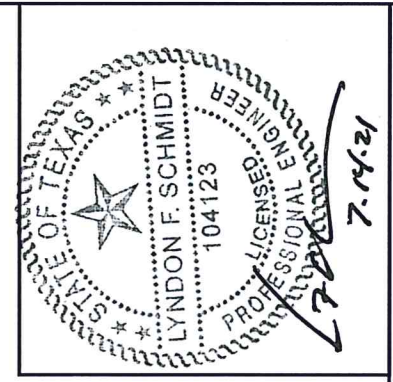
PRODUCT:
EXTRUDED ALUMINUM
BAHAMA HURRICANE SHUTTER
PART OR ASSEMBLY:
ANCHORING LOCATIONS
2X STUD INSTALLATION

NO.	DATE	BY	REVISIONS

DATE: 1/20/21
SCALE: N.T.S.
DWG. BY: RW
CHK. BY: LFS
DRAWING NO.: TX-5147
SHEET 4 OF 6



ANCHORING MASONRY CONSTRUCTION



Documents Prepared By: Lyndon F. Schmidt, P.E.
 TEXAS P.E. #104123
RW BUILDING CONSULTANTS, INC.
 P.O. Box 230 Valrico FL, 33595
 Phone No.: 813.659.9197
 TEXAS BOARD OF PROFESSIONAL ENGINEERS
 CERTIFICATE OF REGISTRATION # F-11852

	ANCHOR	ANCHOR
CONCRETE CONFORMING TO ACI 301	 1/4" TAPCON SG EM = 1.75" CL = 4" ED = 1.25" (3,295 PSI MIN. CONC.)	 1/4" ELCO/DeWALT PANELMATE MALE/FEMALE EM = 1.25" CL = 4" ED = 3"
	 1/4" ITW RED HEAD DYNABOLT SLEEVE ANCHOR EM = 1.125" CL = 4" ED = 1.5" (3000 PSI MIN. CONC.)	 1/4" ITW RED HEAD DYNABOLT SLEEVE ANCHOR EM = 1.125" CL = 4" ED = 1.5"
	 1/4" ALL POINTS SOLID-SET ANCHOR EM = 0.875" CL = 4" ED = 2" (3,000 PSI MIN. CONC.)	 1/4" ALL POINTS SOLID-SET ANCHOR EM = 0.875" CL = 4" ED = 2"
	 1/4" ITW TAPCON EM = 1.75" CL = 4" ED = 4" (3,000 PSI MIN. CONC.)	
	HOLLOW BLOCK CONFORMING TO ASTM C90	

EM = MINIMUM EMBEDMENT (PENETRATION)
 CL = MINIMUM CENTER TO CENTER ANCHOR SPACING
 ED = MINIMUM EDGE DISTANCE

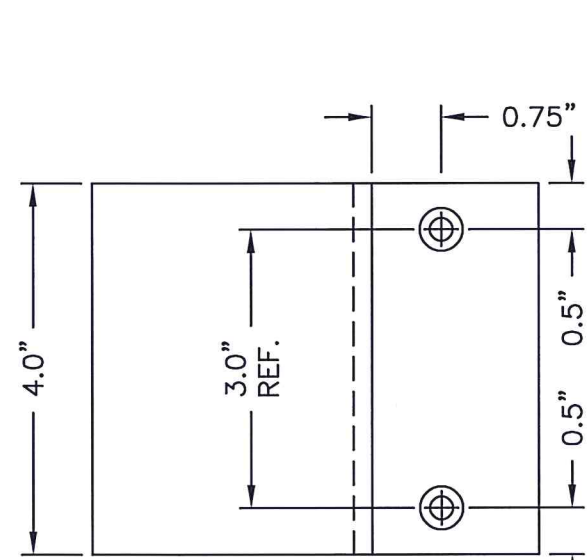
13 MASONRY ANCHOR SCHEDULE

PRODUCT:	EXTRUDED ALUMINUM BAHAMA HURRICANE SHUTTER
PART OR ASSEMBLY:	ANCHORING LOCATIONS MASONRY INSTALLATION

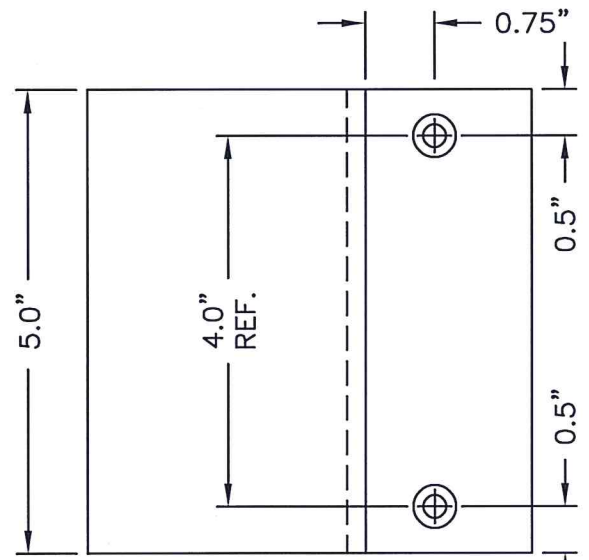
NO.	DATE	BY	REVISIONS

DATE:	1/20/21
SCALE:	N.T.S.
DWG. BY:	RW
CHK. BY:	LFS
DRAWING NO.:	TX-5147
SHEET	5 OF 6

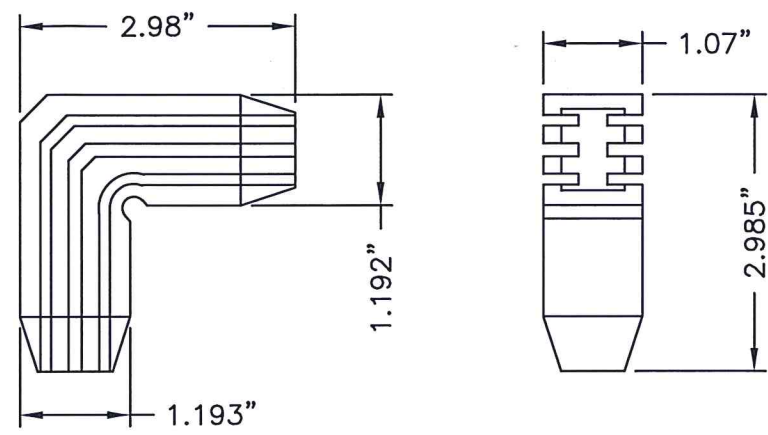
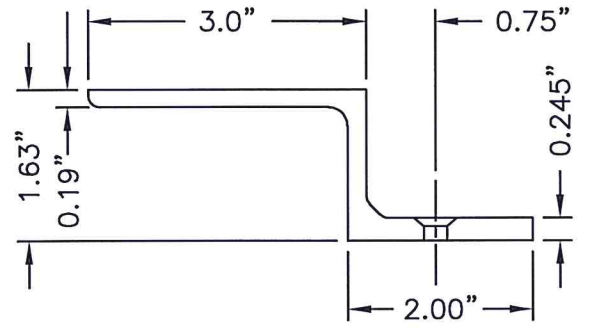
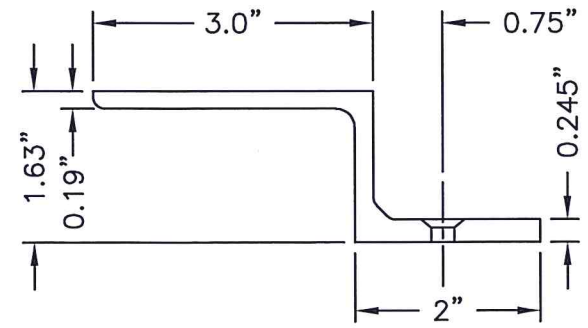
BILL OF MATERIALS		
1	LOUVER 6063-T6 0.060"	ALUM.
2	LOUVER/INSERT 6063-T6 0.060"	ALUM.
3	STILE/RAIL 6063-T6 0.060"	ALUM.
4	EXTRUDED NYLON CORNER KEY	ALUM.
5	STRUCTURAL ADHESIVE	-
6	FEMALE HINGE	ALUM.
7	MALE HINGE TOP RAIL	ALUM.
8	MOUNTING BRACKET WOOD	ALUM.
8A	MOUNTING BRACKET MASONRY	ALUM.
8B	MOUNTING BRACKET MASONRY	ALUM.
12	3/16" DIA. POP RIVET	ALUM.
13	ANCHORS - SEE MASONRY ANCHOR SCHEDULE	STEEL
14	VERTICAL SUPPORT SLAT	ALUM.
15	#14 X 3-1/2" PFH WOOD SCREW	STEEL
18	1/4" X 4" H.H. LAG SCREW	STEEL



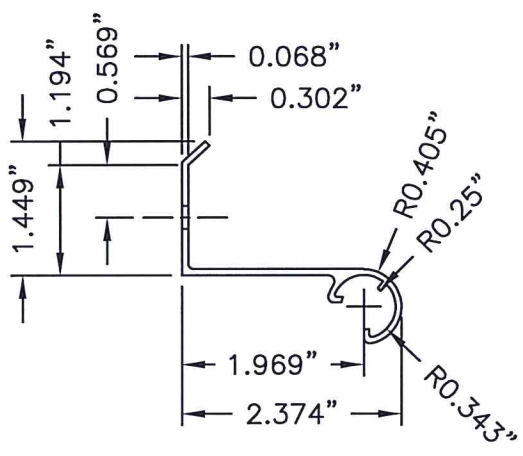
8 MOUNTING BRACKET
ALUMINUM 6063-T6
WOOD FRAME INSTALLATION



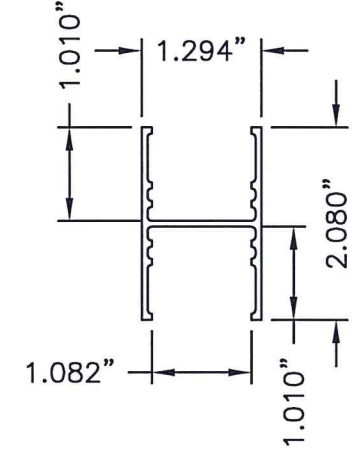
8A MOUNTING BRACKET
ALUMINUM 6063-T6
MASONRY INSTALLATION



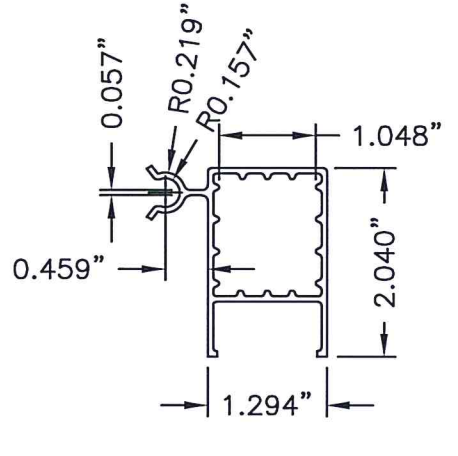
4 EXTRUDED NYLON CORNER KEY



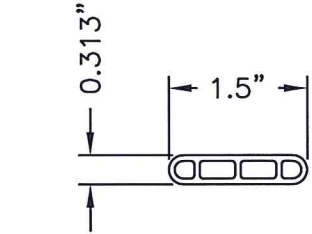
6 FEMALE HINGE
EXTRUDED ALUMINUM
6063-T6



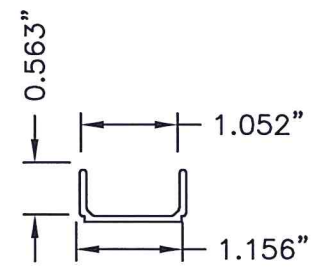
14 VERTICAL SUPPORT SLAT
ALUMINUM 6063-T6
.060" TYP. WALL THK.



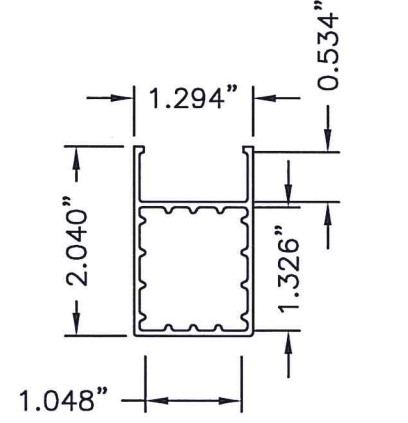
7 MALE HINGE TOP RAIL
EXTRUDED ALUMINUM
6063-T6
0.060" TYP. WALL THK.



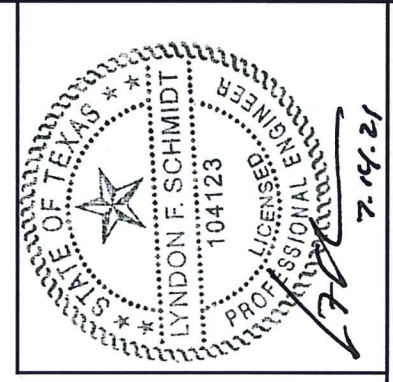
1 LOUVER
EXTRUDED ALUMINUM
6063-T6
0.060" TYP. WALL THK.



2 LOUVER/INSERT
EXTRUDED 6063-T6
0.060" TYP. WALL THK.



3 STILE/RAIL
EXTRUDED ALUMINUM
6063-T6
0.060" TYP. WALL THK.



Documents Prepared By: Lyndon F. Schmidt, P.E.
TEXAS P.E. #104123

RW BUILDING CONSULTANTS, INC.
P.O. Box 230 Valrico FL 33595
Phone No.: 813.659.9197
TEXAS BOARD OF PROFESSIONAL ENGINEERS
CERTIFICATE OF REGISTRATION # F-11852

PRODUCT: EXTRUDED ALUMINUM
BAHAMA HURRICANE SHUTTER
PART OR ASSEMBLY:
BILL OF MATERIALS & COMPONENTS

NO.	DATE	BY	REVISIONS

DATE: 1/20/21
SCALE: N.T.S.
DWG. BY: RW
CHK. BY: LFS
DRAWING NO.: TX-5147
SHEET 6 OF 6