



EXTRUDED ALUMINUM BAHAMA HURRICANE SHUTTER "IMPACT"

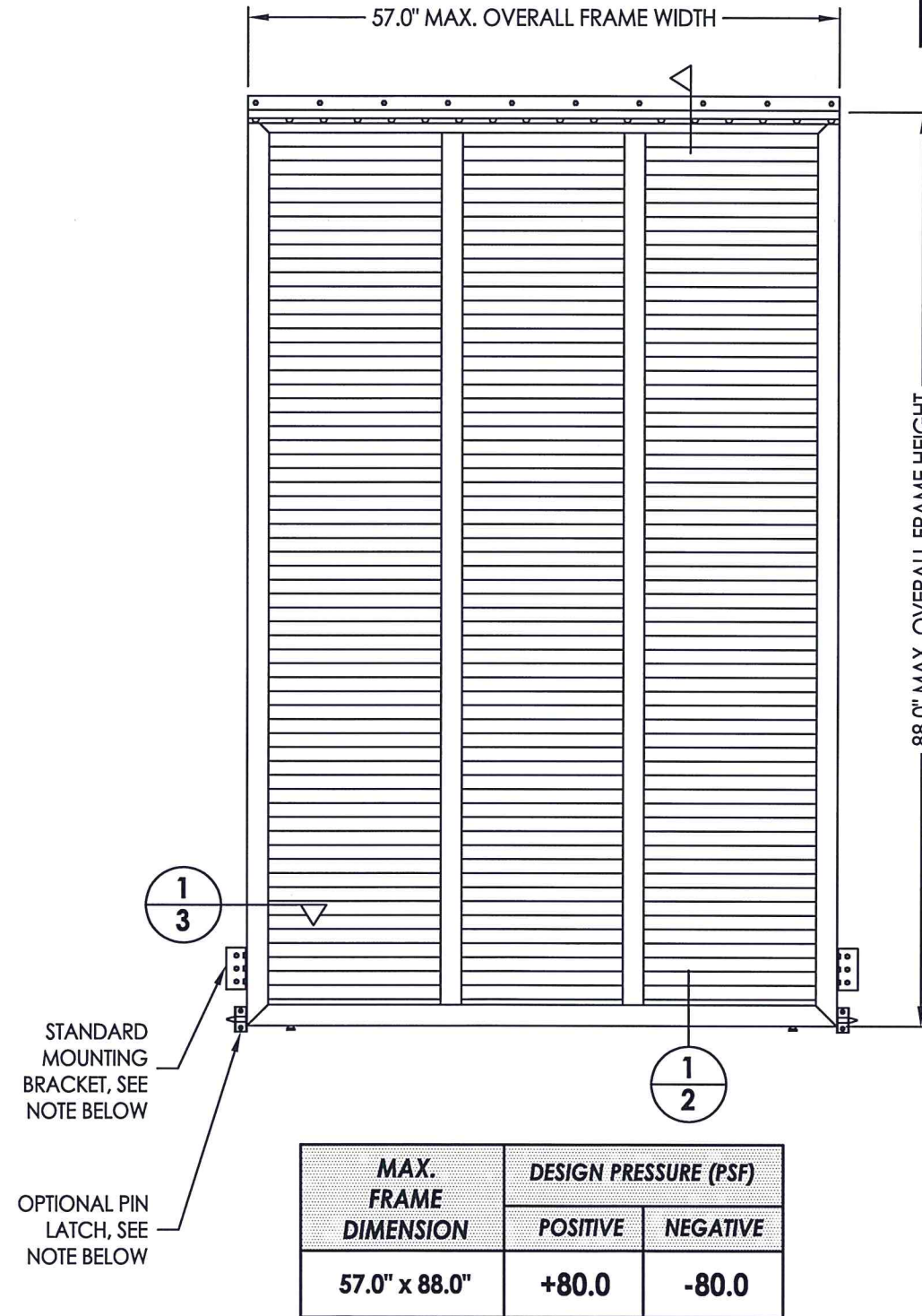
Evaluated For Use In The State of Texas

The panel storm shutter system described herein complies with the 2018 International Residential Code (IRC), Section R301.2.1.2 and the 2018 International Building Code (IBC), Section 1609.2 subject to the following conditions:

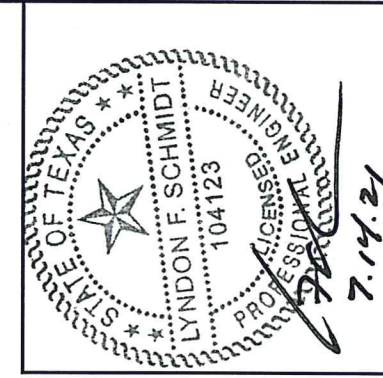
1. This system has been tested and evaluated as a large missile impact protective system and meets missile level "D" and includes Wind Zone 4 as defined in ASTM E1996.
2. Positive and negative design pressures to be used with these drawings shall be determined by others for specific jobs in accordance with the local governing code.
3. The system detailed herein is generic and does not provide information for a specific site. The details herein cover connection to wood, concrete and CMU substrates. If site conditions deviate from the conditions detailed herein, a licensed engineer or registered architect shall prepare site specific documents to be used in conjunction with this document.
4. All extrusions shall be 6063-T6 aluminum alloy, unless noted otherwise.
5. All bolts & washers shall be corrosion resistant in compliance with the IRC and IBC.
6. Permit holder shall verify the adequacy of the existing structure to withstand new superimposed loads.
7. Storm panels have been designed and tested to the maximum spans and loads shown on these drawings.

TABLE OF CONTENTS

SHEET#	DESCRIPTION
1	Typical elevation, design pressures & general notes
2	Vertical cross sections masonry & stud construction
3	Horizontal cross sections masonry & stud construction
4	Anchoring locations - stud installation
5	Anchor locations - masonry installation
6	Bill of materials & components



NOTE:
THE ELEVATION ABOVE SHOWS BOTH THE STANDARD MOUNTING BRACKET AND THE OPTIONAL PIN LATCH (ONLY ONE IS REQUIRED).



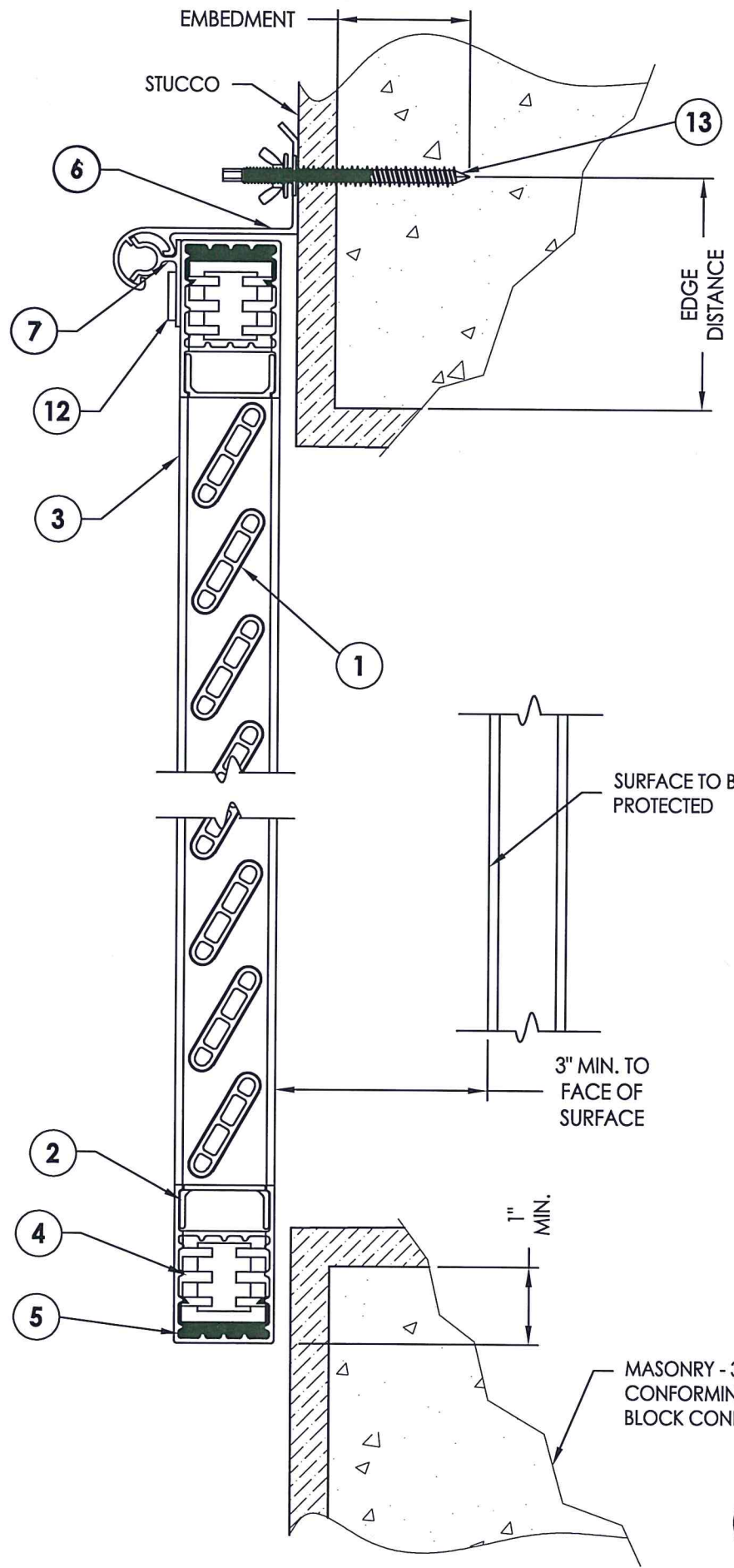
Documents Prepared By: Lyndon F. Schmidt, P.E.
TEXAS P.E. #104123

RW BUILDING CONSULTANTS, INC.
P.O. Box 230 Vairico FL 33595
Phone No.: 813.659.9197
TEXAS BOARD OF PROFESSIONAL ENGINEERS
CERTIFICATE OF REGISTRATION # F-11852

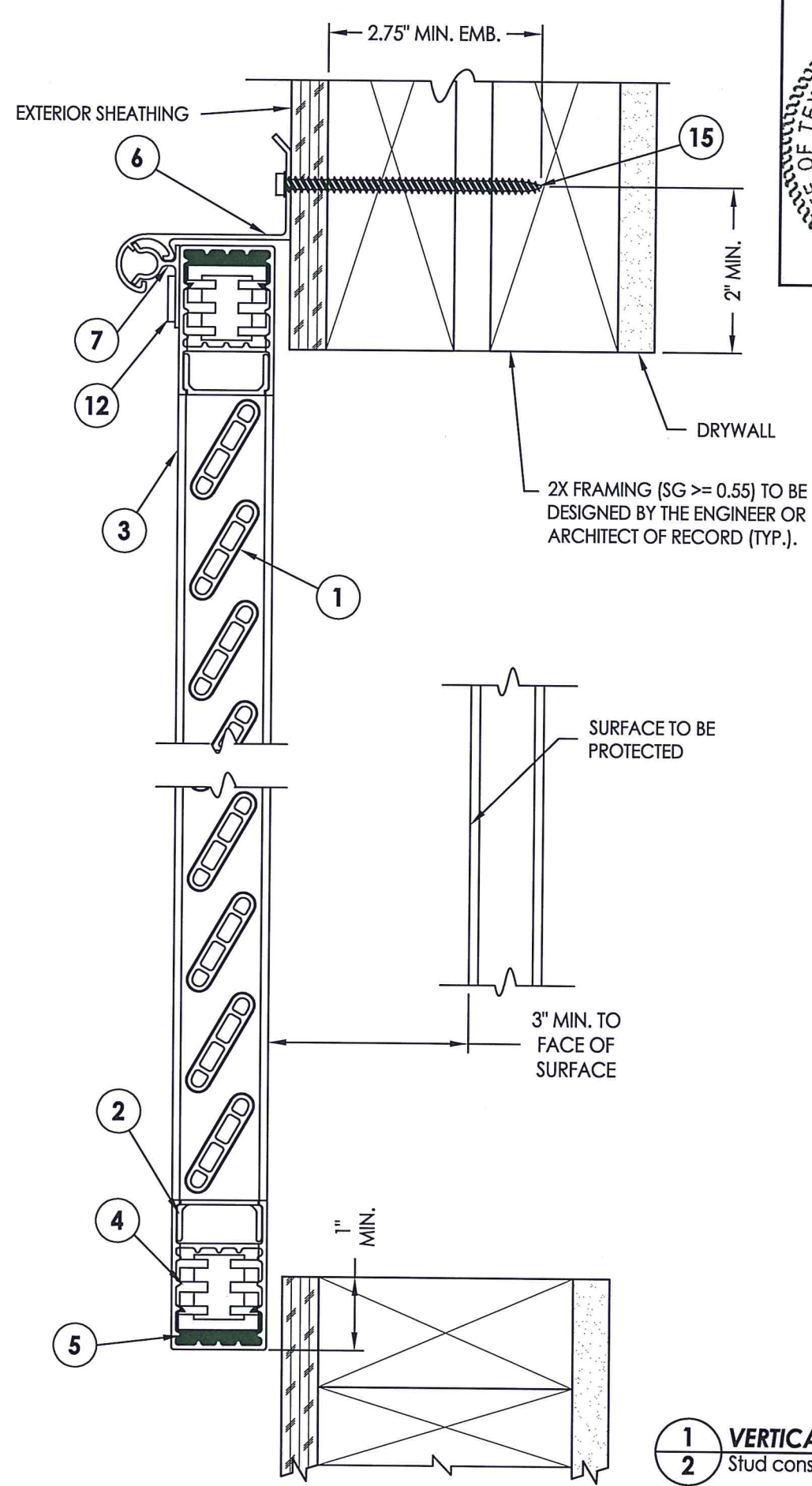
PRODUCT: EXTRUDED ALUMINUM BAHAMA HURRICANE SHUTTER
PART OR ASSEMBLY:
TYPICAL ELEVATION, DESIGN PRESSURES & GENERAL NOTES

NO.	DATE	BY	REVISIONS

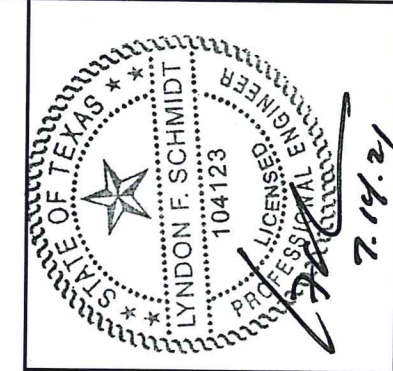
DATE: 1/20/21
SCALE: N.T.S.
DWG. BY: RW
CHK. BY: LFS
DRAWING NO.: TX-5146
SHEET 1 OF 6



1 VERTICAL CROSS SECTION
2 Masonry construction



1 VERTICAL CROSS SECTION
2 Stud construction



Documents Prepared By: Lyndon F. Schmidt, P.E.
 TEXAS P.E. #104123

RW BUILDING CONSULTANTS, INC.
 P.O. Box 230 Valrico FL 33595
 Phone No.: 813.659.9197

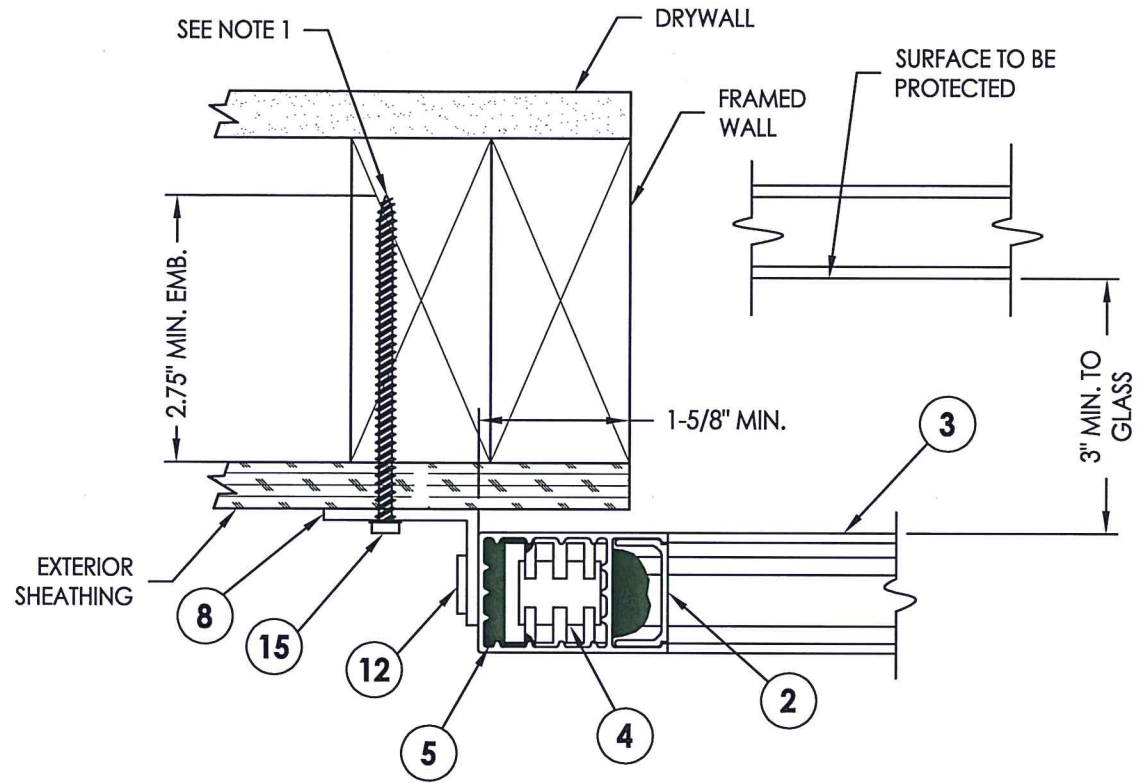
TEXAS BOARD OF PROFESSIONAL ENGINEERS
 CERTIFICATE OF REGISTRATION # F-11852

PRODUCT:
 EXTRUDED ALUMINUM
 BAHAMA HURRICANE SHUTTER
 PART OR ASSEMBLY:
 MASONRY & STUD CONSTRUCTION

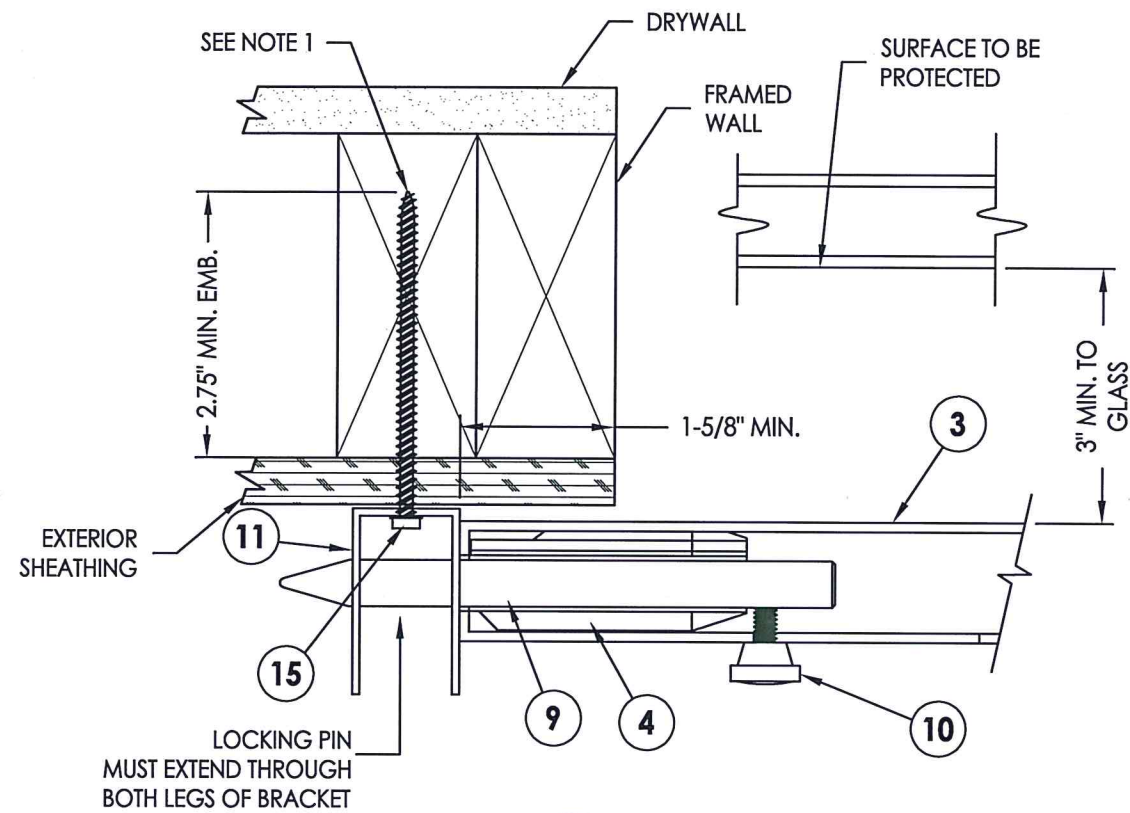
NO.	DATE	BY	REVISIONS

DATE: 1/20/21
 SCALE: N.T.S.
 DWG. BY: RW
 CHK. BY: LFS
 DRAWING NO.: TX-5146
 SHEET 2 OF 6

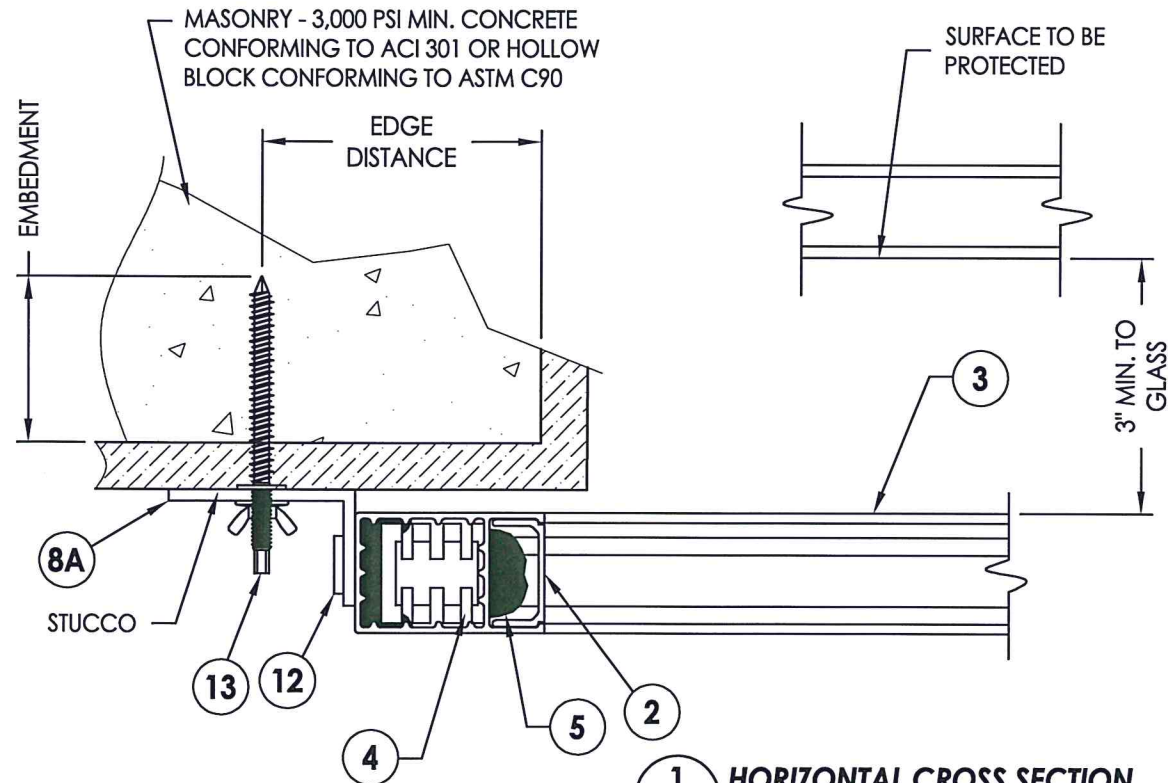
Z:\Clients\Fortified (SE)\B - Texas Dept of Ins\TDI SHU-104\Drawings\TX-5146\TX-5146.dwg



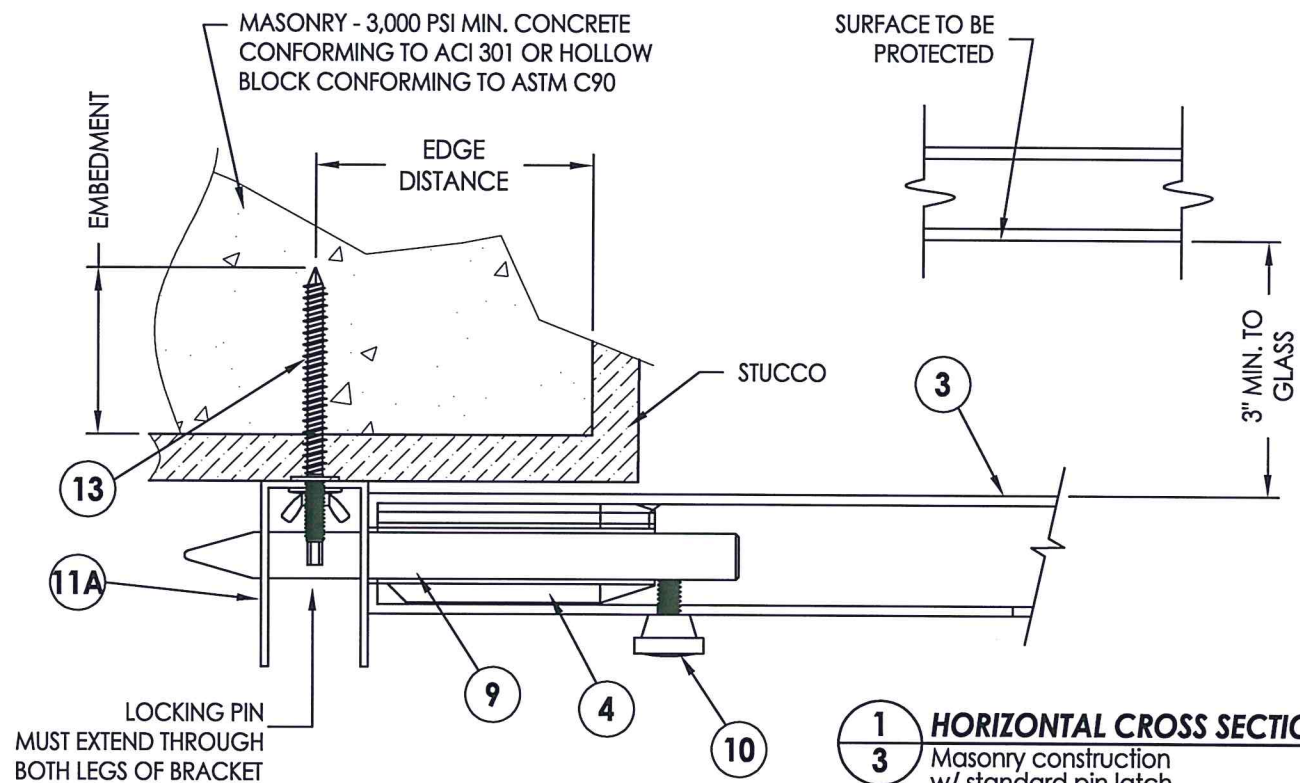
1 **HORIZONTAL CROSS SECTION**
3 Stud construction w/ optional mounting bracket



1 **HORIZONTAL CROSS SECTION**
3 Stud construction w/ standard pin latch

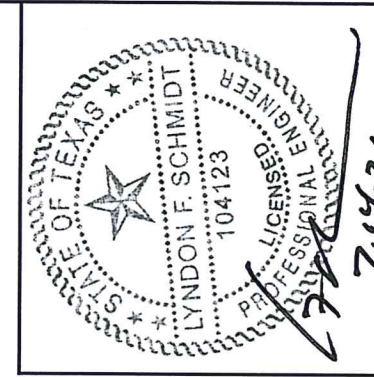


1 **HORIZONTAL CROSS SECTION**
3 Masonry construction w/ optional mounting bracket



1 **HORIZONTAL CROSS SECTION**
3 Masonry construction w/ standard pin latch

NOTE 1:
 MAINTAIN 1/2\"/>



Documents Prepared By: Lyndon F. Schmidt, P.E.
 TEXAS P.E. #104123

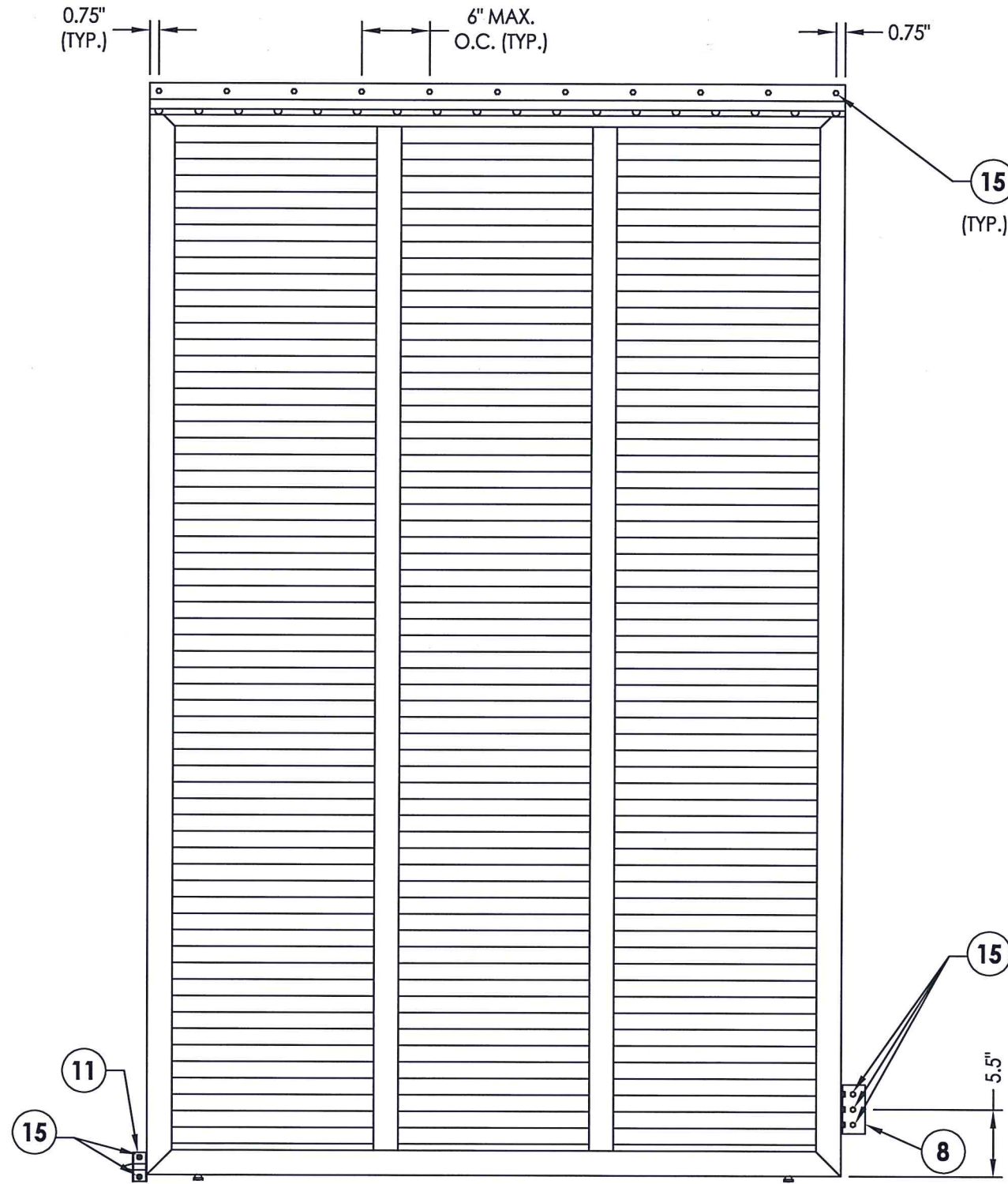
RW BUILDING CONSULTANTS, INC.
 P.O. Box 230 Valrico FL 33595
 Phone No.: 813.659.9197

TEXAS BOARD OF PROFESSIONAL ENGINEERS
 CERTIFICATE OF REGISTRATION # F-11852

PRODUCT: EXTRUDED ALUMINUM
 BAHAMA HURRICANE SHUTTER
 PART OR ASSEMBLY:
 MASONRY & STUD CONSTRUCTION

NO.	DATE	BY	REVISIONS


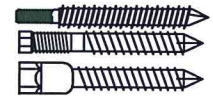
DATE: 1/20/21
 SCALE: N.T.S.
 DWG. BY: RW
 CHK. BY: LFS
 DRAWING NO.: TX-5146
 SHEET 3 OF 6



THIS SIDE SHOWN ANCHORED
WITH STANDARD PIN LATCH

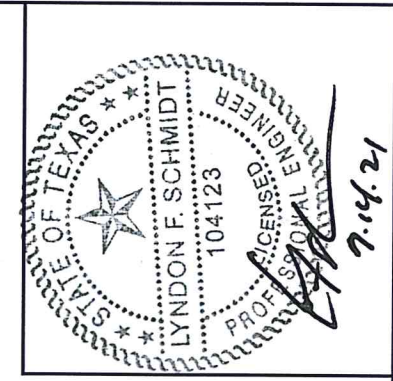
**ANCHORING
STUD CONSTRUCTION**

THIS SIDE SHOWN ANCHORED
WITH OPTIONAL MOUNTING BRACKET

ANCHOR	
WOOD SUBSTRATE (G>=0.55)	 #14 HWH SMS EM = 2.75" CL = 1.5" ED = 0.5"
	 1/4" ELCO/DeWALT PANELMATE MALE/FEMALE EM = 2.75" CL = 1.5" ED = 0.75"

EM = MINIMUM EMBEDMENT (PENETRATION)
 CL = MINIMUM CENTER TO CENTER ANCHOR SPACING
 ED = MINIMUM EDGE DISTANCE

15 WOOD ANCHOR SCHEDULE



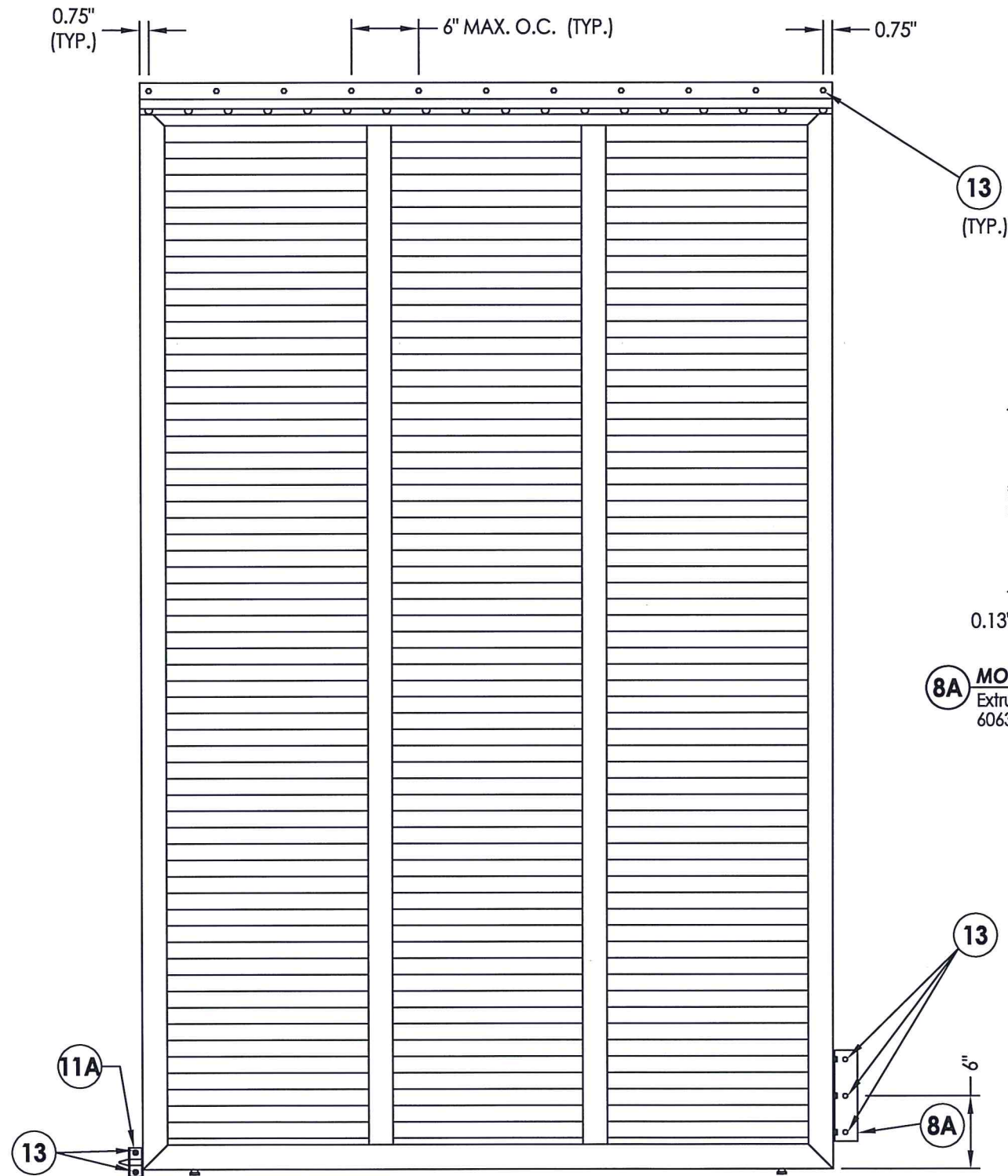
Documents Prepared By: Lyndon F. Schmidt, P.E.
 TEXAS P.E. #104123

RW BUILDING CONSULTANTS, INC.
 P.O. Box 230 Valrico FL, 33595
 Phone No.: 813.659.9197
 TEXAS BOARD OF PROFESSIONAL ENGINEERS
 CERTIFICATE OF REGISTRATION # F-11852

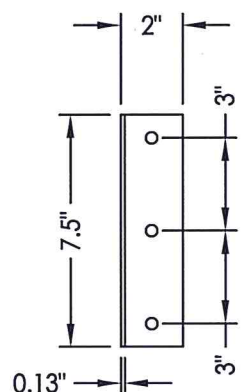
PRODUCT: EXTRUDED ALUMINUM
 BAHAMA HURRICANE SHUTTER
 PART OR ASSEMBLY: ANCHORING LOCATIONS
 STUD INSTALLATION

NO.	DATE	BY	REVISIONS

DATE: 1/20/21
 SCALE: N.T.S.
 DWG. BY: RW
 CHK. BY: LFS
 DRAWING NO.: TX-5146
 SHEET 4 OF 6



8A MOUNTING BRACKET - MASONRY
Extruded aluminum
6063-T6



THIS SIDE SHOWN ANCHORED
WITH OPTIONAL MOUNTING BRACKET
FOR MASONRY

THIS SIDE SHOWN ANCHORED
WITH STANDARD PIN LATCH
(STANDARD LATCH PIN CAN BE USED ON
MASONRY INSTALLATIONS WHERE THE
DP REQUIREMENT IS DP <= 55 PSF)

**ANCHORING
MASONRY CONSTRUCTION**

CONCRETE CONFORMING TO ACI 301

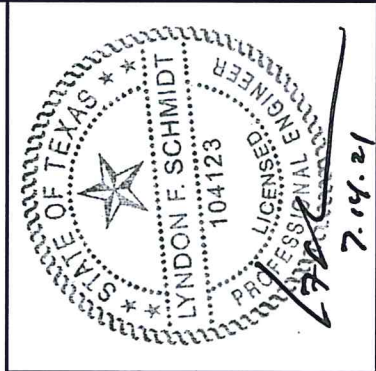
<p>1/4" TAPCON SG EM = 1.75" CL = 3" ED = 1.25" (3,295 PSI MIN. CONC.)</p>
<p>1/4" ITW RED HEAD DYNABOLT SLEEVE ANCHOR EM = 1.125" CL = 3" ED = 1.5" (3,000 PSI MIN. CONC.)</p>
<p>1/4" ALL POINTS SOLID-SET ANCHOR EM = 0.875" CL = 3" ED = 2" (3,000 PSI MIN. CONC.)</p>
<p>1/4" ITW TAPCON EM = 1.75" CL = 3" ED = 4" (3,000 PSI MIN. CONC.)</p>

HOLLOW BLOCK CONFORMING TO ASTM C90

<p>1/4" ITW RED HEAD DYNABOLT SLEEVE ANCHOR EM = 1.125" CL = 6" ED = 1.5" HEAD ONLY</p>
<p>1/4" ALL POINTS SOLID-SET ANCHOR EM = 0.875" CL = 3" ED = 2"</p>

EM = MINIMUM EMBEDMENT (PENETRATION)
CL = MINIMUM CENTER TO CENTER ANCHOR SPACING
ED = MINIMUM EDGE DISTANCE

13 MASONRY ANCHOR SCHEDULE



Documents Prepared By: Lyndon F. Schmidt, P.E.
TEXAS P.E. #104123

RW BUILDING CONSULTANTS, INC.
P.O. Box 230 Valrico FL 33595
Phone No.: 813.659.9197

TEXAS BOARD OF PROFESSIONAL ENGINEERS
CERTIFICATE OF REGISTRATION # F-11852

PRODUCT:

EXTRUDED ALUMINUM BAHAMA HURRICANE SHUTTER
PART OR ASSEMBLY:
ANCHORING LOCATIONS MASONRY INSTALLATION

NO.	DATE	BY	REVISIONS

DATE:	1/20/21
SCALE:	N.T.S.
DWG. BY:	RW
CHK. BY:	LFS
DRAWING NO.:	TX-5146
SHEET	5 OF 6

