

**SERIES V-100 ALUMINUM FIELD MULLION**  
EXTERIOR VIEW

**Maximum design pressure capacity (PSF)**

Height (in)	Tributary width (in)					
	24.00	30.00	36.00	42.00	48.00	54.00
24.00	130.0	130.0	130.0	130.0	130.0	130.0
30.00	130.0	130.0	130.0	130.0	130.0	130.0
36.00	130.0	130.0	130.0	130.0	130.0	130.0
42.00	130.0	130.0	130.0	130.0	130.0	130.0
48.00	130.0	130.0	130.0	130.0	130.0	130.0
54.00	130.0	130.0	130.0	130.0	130.0	130.0
60.00	130.0	130.0	130.0	130.0	130.0	130.0
66.00	130.0	130.0	130.0	130.0	130.0	130.0
72.00	130.0	130.0	130.0	130.0	130.0	130.0
78.00	130.0	130.0	130.0	127.0	115.4	107.2
84.00	130.0	130.0	113.4	100.0	90.4	83.4
90.00	130.0	107.4	91.3	80.2	72.2	66.2
96.00	108.5	88.0	74.7	65.3	58.6	53.6
102.00	90.2	73.1	61.8	54.0	48.3	44.0
108.00	75.8	61.3	51.8	45.1	40.3	36.6
114.00	64.3	52.0	43.8	38.1	33.9	30.8
120.00	55.0	44.4	37.4	32.5	28.9	26.1

**LARGE AND SMALL MISSILE IMPACT**  
UP TO WIND ZONE 3

$$\text{TRIBUTARY WIDTH} = \frac{W1 + W2}{2}$$

REVISIONS			
REV	DESCRIPTION	DATE	APPROVED

NOTES:

- 1) THE PRODUCT SHOWN HEREIN IS DESIGNED AND MANUFACTURED TO COMPLY WITH REQUIREMENTS OF THE INTERNATIONAL BUILDING CODE AND THE RESIDENTIAL BUILDING CODE WITH STATE OF TEXAS MODIFICATIONS.
- 2) WOOD FRAMING TO BE DESIGNED AND ANCHORED TO PROPERLY TRANSFER ALL LOADS TO STRUCTURE. FRAMING IS THE RESPONSIBILITY OF THE ARCHITECT OR ENGINEER OF RECORD.
- 3) ALLOWABLE STRESS INCREASE OF 1/3 WAS NOT USED IN THE DESIGN OF THE PRODUCT SHOWN HEREIN. WIND LOAD DURATION FACTOR Cd=1.6 WAS USED FOR WOOD ANCHOR CALCULATIONS.
- 4) APPROVED IMPACT PROTECTIVE SYSTEM IS NOT REQUIRED FOR THIS PRODUCT IN WIND BORNE DEBRIS REGIONS UP TO WIND ZONE 3.
- 5) DESIGN PRESSURE AND INSTALLATION DETAILS SHOWN IN THIS DOCUMENT APPLY ONLY TO MULLION. WINDOWS MUST BE APPROVED UNDER SEPARATE APPROVAL.
- 6) SINGLE UNITS TO BE MULLED ARE NOT LIMITED TO THOSE SHOWN IN THIS DRAWING. SINGLE UNITS TO BE MULLED TOGETHER MUST BE MANUFACTURED BY WinDoor, INC.
- 7) DESIGN PRESSURE OF MULLED UNIT SHALL BE CONTROLLED BY THE LESSER DESIGN PRESSURE OF THE MULLION OR THE INDIVIDUAL WINDOW UNIT.
- 8) TWIN CONFIGURATION SHOWN. UNITS MAY BE MULLED TOGETHER INDEFINITELY AS LONG AS SINGLE UNIT WIDTH AND HEIGHT ARE NOT EXCEEDED AND MULLION IS ANCHORED AS SHOWN HEREIN.
- 9) MULLION VERTICAL INSTALLATION IS SHOWN, MULLION MAY BE USED IN HORIZONTAL APPLICATIONS AS LONG AS DIMENSIONS INDICATED HEREIN ARE NOT EXCEEDED AND MULLION IS ANCHORED ACCORDING TO THIS DOCUMENT.

DESIGN PRESSURE TABLE INSTRUCTIONS:

- 1) DEFINE REQUIRED DESIGN LOAD PER BUILDING CODE CHAPTER 16.
- 2) DETERMINE TRIBUTARY WIDTH AND MULLION SPAN BASED ON PRODUCT TO BE INSTALLED. SEE FORMULA FOR TRIBUTARY WIDTH. TRIBUTARY WIDTH CALCULATION DOES NOT INCLUDE 1 3/8" MULLION SPACE.
- 3) LOCATE MULLION SPAN (UNIT HEIGHT) AND TRIBUTARY WIDTH. AT THE INTERSECTION OF ROW AND COLUMN CONTAINING THE MULLION SPAN AND TRIBUTARY WIDTH RESPECTIVELY IS THE MULLION RATING FOR PRODUCT IN STEP 2. MULLION RATING MUST BE EQUAL OR GREATER THAN REQUIRED DESIGN PRESSURE OBTAINED IN STEP 1.

SIGNED: 07/24/2012

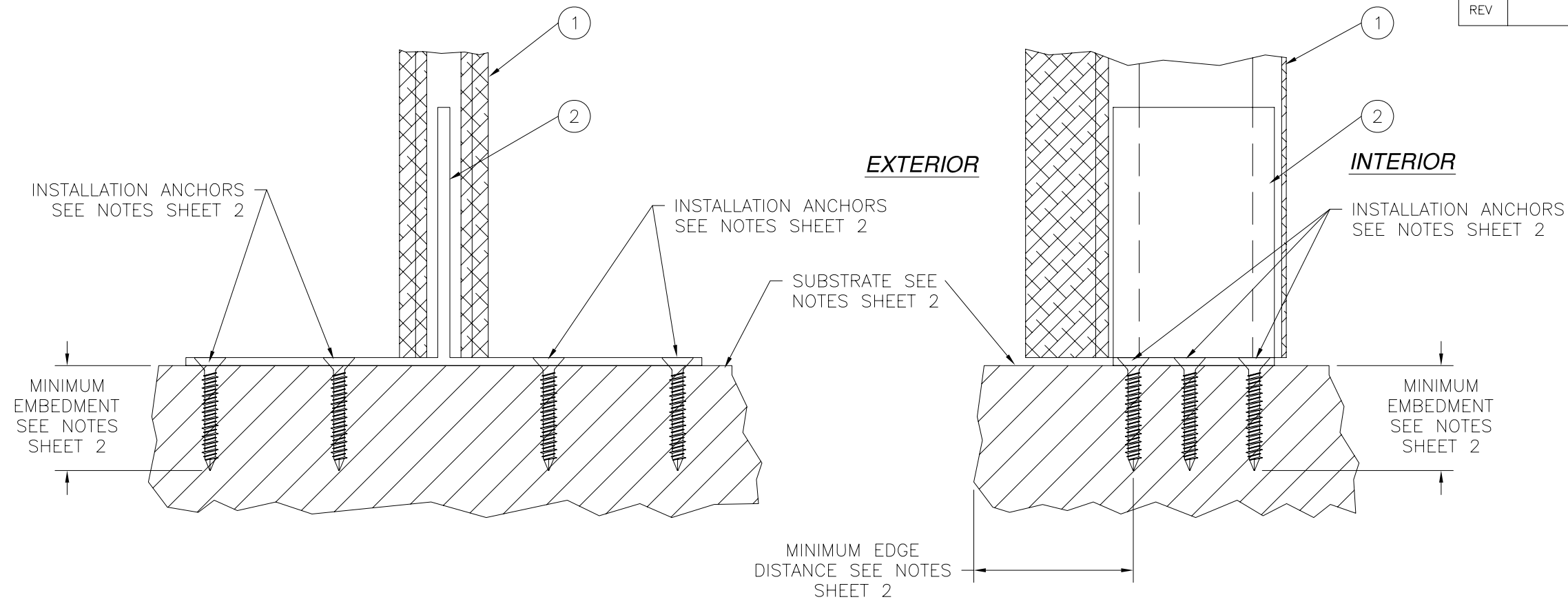
	7500 AMSTERDAM DRIVE ORLANDO, FL 32832	
	Phone: 407.481.8400 Fax: 407.481.0505	www.windoorinc.com
<b>SERIES V-100 ALUMINUM FIELD MULLION</b> <b>WIND ZONE 3 IMPACT RESISTANT</b> <b>ELEVATION, DP CHART AND NOTES</b>		
DRAWN: V.L.	DWG NO. 08-01698	REV -
SCALE NTS	DATE 07/19/12	SHEET 1 OF 3



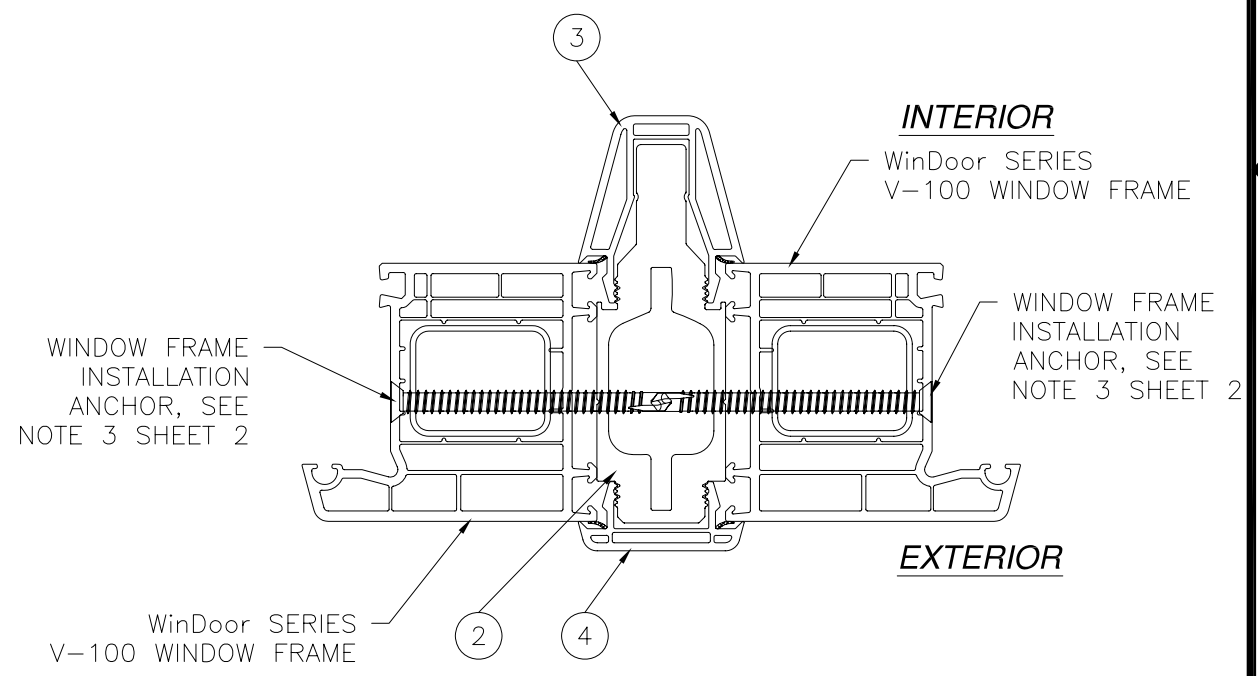
Luis R. Lomas P.E.  
TX No.: 101889

TABLE OF CONTENTS	
SHEET NO.	DESCRIPTION
1	ELEVATION, DESIGN PRESSURE CHART AND NOTES
2	INSTALLATION DETAILS AND NOTES
3	BILL OF MATERIALS COMPONENTS

REVISIONS			
REV	DESCRIPTION	DATE	APPROVED



**T-CLIP INSTALLATION DETAIL**  
MULLION BOTTOM SHOWN, MULLION TOP SIMILAR



**WINDOW TO MULLION INSTALLATION DETAIL**

**ANCHORING NOTES:**

- 1) FOR ANCHORING INTO WOOD FRAMING, 2X BUCK OR 2X BACKED 20GA. MINIMUM STEEL FRAMING USE #12 WOOD SCREW WITH SUFFICIENT LENGTH TO ACHIEVE A 1 5/8" MINIMUM EMBEDMENT INTO SUBSTRATE AND 7/8" MINIMUM EDGE DISTANCE. LOCATE ANCHORS AS SHOWN IN ELEVATIONS AND INSTALLATION DETAILS.
- 2) FOR ANCHORING INTO CONCRETE BUCK USE 1/4" CONCRETE ANCHOR WITH SUFFICIENT LENGTH TO ACHIEVE A 1 3/4" MINIMUM EMBEDMENT INTO SUBSTRATE WITH 2 1/2" MINIMUM EDGE DISTANCE AND 1 7/8" MINIMUM SEPARATION. LOCATE ANCHORS AS SHOWN IN ELEVATIONS AND INSTALLATION DETAILS.
- 3) FOR ATTACHING WINDOW UNITS TO MULLION USE #14 SELF TAPPING SCREWS WITH SUFFICIENT LENGTH TO ACHIEVE A MINIMUM EMBEDMENT OF THREE THREADS PAST MULLION WALL. LOCATE SCREWS 6" FROM EACH MULLION END AND 13 1/2" MAX. O.C. THEREAFTER. STAGGER SCREWS AT EACH WINDOW.
- 4) FOR WINDOW UNITS ANCHORING SCHEDULE REFER TO WINDOW APPROVED INSTALLATION INSTRUCTIONS.
- 5) ALL FASTENERS TO BE CORROSION RESISTANT.
- 6) INSTALLATION ANCHORS SHALL BE INSTALLED IN ACCORDANCE WITH ANCHOR MANUFACTURER'S INSTALLATION INSTRUCTIONS, AND ANCHORS SHALL NOT BE USED IN SUBSTRATES WITH STRENGTHS LESS THAN THE MINIMUM STRENGTH SPECIFIED BELOW:
  - A. WOOD - MINIMUM SPECIFIC GRAVITY OF G=0.42
  - B. CONCRETE - MINIMUM COMPRESSIVE STRENGTH OF 3,192 PSI.
  - C. STEEL FRAMING - 20GA. (.040") MINIMUM.

**WinDoor**  
INCORPORATED

7500 AMSTERDAM DRIVE  
ORLANDO, FL 32832  
Phone: 407.481.8400  
Fax: 407.481.0505  
www.windoorinc.com

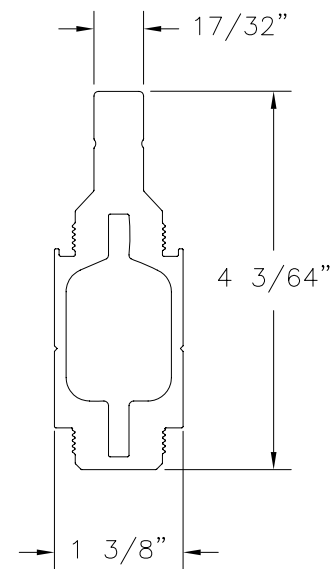
SERIES V-100 ALUMINUM FIELD MULLION  
WIND ZONE 3 IMPACT RESISTANT  
INSTALLATION DETAILS AND NOTES

DRAWN: V.L.	DWG NO. 08-01698	REV -
SCALE NTS	DATE 07/19/12	SHEET 2 OF 3

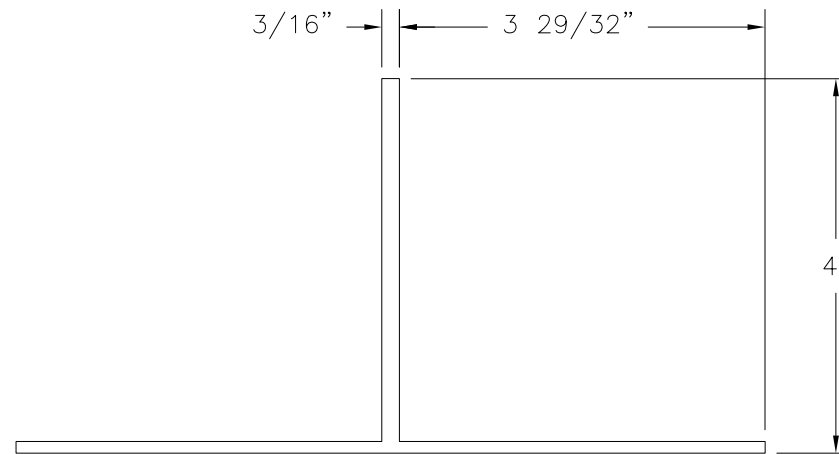
Luis R. Lomas P.E.  
TX No.: 101889

PARTS LIST				
NO.	PART NUMBER	DESCRIPTION	MANUFACTURER	MATERIAL
1	FH-06194	SERIES V-100 FIELD MULLION	KEYMARK	ALUMINUM 6005-T61
2	FS-03854	4" x 8" x 3/16" WALL T-CLIP	KEYMARK	ALUMINUM 6105-T5
3	116.211.1W/1	V-100 MULLION INTERIOR COVER	VEKA	RIGID PVC
4	116.210.1W/1	V-100 MULLION EXTERIOR COVER	VEKA	RIGID PVC

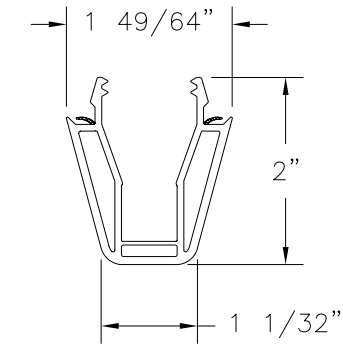
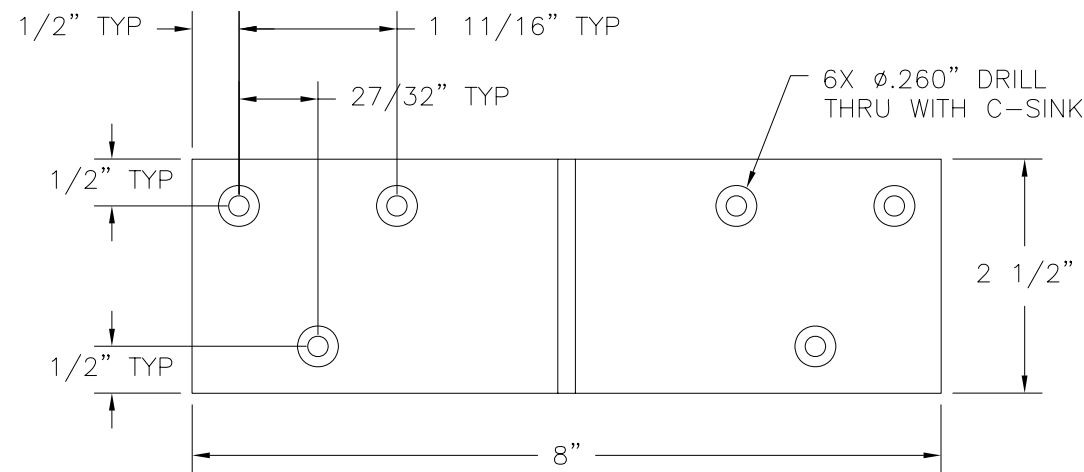
REVISIONS			
REV	DESCRIPTION	DATE	APPROVED



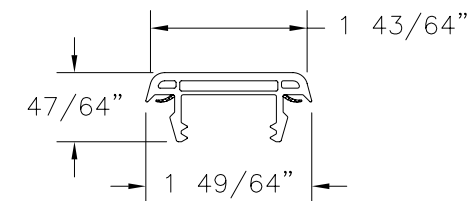
① **SERIES V-100 FIELD MULLION**  
 EXTRUDED ALUMINUM 6005-T61  
 MOMENT OF INERTIA = 3.554  
 SECTION MODULUS = 1.697



② **4" x 8" x 3/16" WALL T-CLIP**  
 EXTRUDED ALUMINUM 6105-T5 .125" THICK



③ **V-100 MULLION INTERIOR COVER**  
 EXTRUDED RIGID PVC .071" THICK



④ **V-100 MULLION EXTERIOR COVER**  
 EXTRUDED RIGID PVC .071" THICK

**WinDoor**  
 INCORPORATED

7500 AMSTERDAM DRIVE  
 ORLANDO, FL 32832  
 Phone: 407.481.8400  
 Fax: 407.481.0505  
 www.windoorinc.com

SERIES V-100 ALUMINUM FIELD MULLION  
 WIND ZONE 3 IMPACT RESISTANT  
 BILL OF MATERIALS AND COMPONENTS

DRAWN: V.L.	DWG NO. 08-01698	REV -
SCALE NTS	DATE 07/19/12	SHEET 3 OF 3



Luis R. Lomas P.E.  
 TX No.: 101889