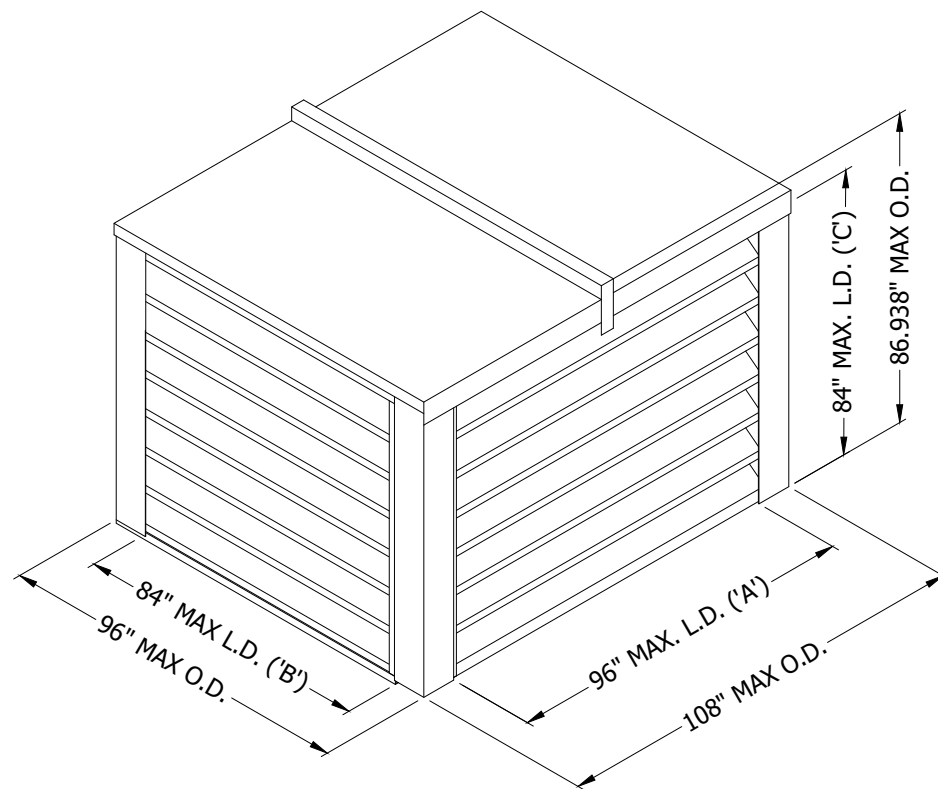
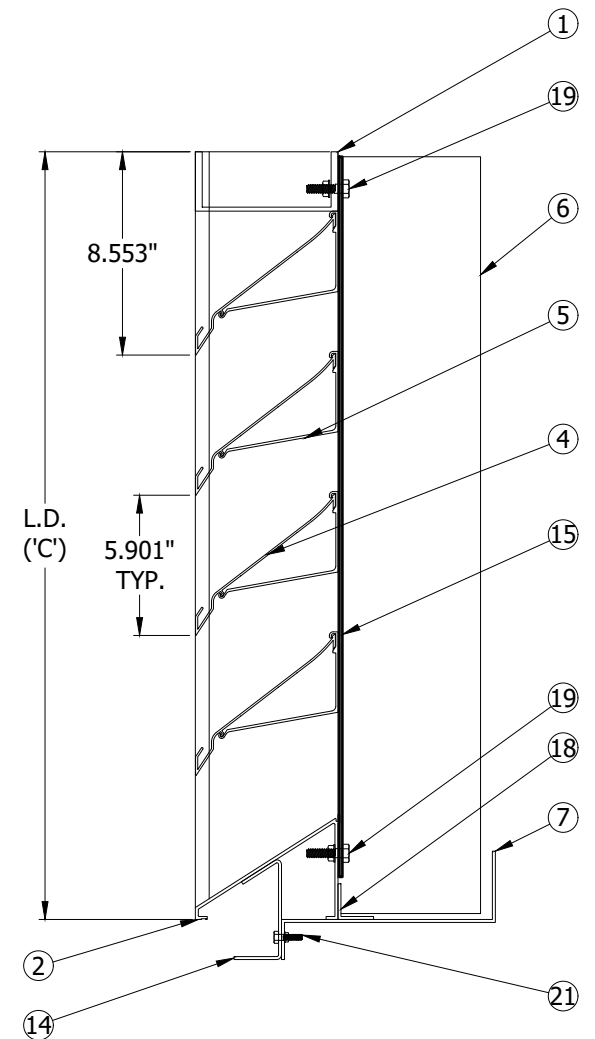


PHB637HDXD STANDARD PARTS

ITEM	DESCRIPTION	MATERIAL	DWG. #
1	HEAD CHANNEL	.170" THK. EXTRUDED ALUM 6063-T6	CO23511
2	SILL FRAME	.125" THK. EXTRUDED ALUM 6063-T6	70-021130-00B
3	JAMB FRAME	.125" THK. EXTRUDED ALUM 6063-T6	70-020691-00B
4	BLADE	.094" THK. EXTRUDED ALUM 6063-T6	70-020560-00B
5	BLADE BRACE	.100" THK. EXTRUDED ALUM 6063-T6	70-020568-00B
6	6" BLADE SUPPORT (H.V.B.S.)	.094" THK. EXTRUDED ALUM 6063-T6	70-021465-00B
7	EXTENDED SILL	.125" THK 5005-H34 FORMED ALUM.	REF DETAIL 18/06
8	6" X 3" ROOF SUPPORT	.125" THK. EXTRUDED ALUM 6063-T6	REF DETAIL 20/06
9	4" X 1" ROOF SUPPORT	.125" THK. EXTRUDED ALUM 6063-T6	A7070
10	WATER SEAL	.125" THK 5005-H34 FORMED ALUM.	REF DETAIL 22/07
11	LIFTING LUG	.375" THK 5005-H34 FORMED ALUM.	REF DETAIL 21/06
12	CORNER FLASHING	.080" THK. 5050-H34 FORMED ALUM.	REF DETAIL 23/07
13	2" X 2" X .250" CORNER ANGLE	.250" THK EXTRUDED ALUM 6063-T6	REF DETAIL 24/07
14	SILL SUPPORT	.125" THK 5005-H34 FORMED ALUM.	REF DETAIL 25/08
15	2" WIDE CROSS STRAP	.125" THK ASTM A653, GRADE 33 GALV. STEEL	REF DETAIL 26/08
16	ROOF SKIN	.080" THK. 3003-H14 FORMED ALUM.	REF DETAIL 17/06
17	ROOF HINGE (3/8" PIN, 2" KNUCKLE)	.125" THK. 5052 ALUM.	REF DETAIL 27/08
18	1.500" X 1.500" X 1/8" X 2" LG CLIP ANGLE	.125" THK 3003-H14 FORMED ALUM.	REF DETAIL 28/08
19	5/8-11 X 1.500" LG H.H.B. W/ LOCKNUT & WASHER	ASTM A325, ZINC COATED	-
20	1/4-20 X 2.500" LG. H.H.B. W/ LOCK WASHER & HEX NUT	ASTM A307, GRADE A, ZINC COATED	-
21	3/8-16 X 1.500" LG. H.H.B. W/ WASHER, LOCK WASHER & HEX NUT	ASTM A307, GRADE A, ZINC COATED	-
22	#10-16 X 1" LG H.W.H. S.D. SCREW	SAE GRADE 2 , ZINC COATED	-
23	1/4-14 X 1.500" LG H.W.H. S.D. SCREW	SAE GRADE 2 , ZINC COATED	-
24	#10-16 X 1 1/2" LG H.W.H. S.D. SCREW	SAE GRADE 2 , ZINC COATED	-



PENTHOUSE ISOMETRIC



PHB637HDXD
N.T.S.

CURB SUBSTRATE FASTENER TABLE 2 (BY OTHERS)

SUBSTRATE TYPE	MIN. SUBSTRATE REQUIREMENTS	FASTENER TYPE	MIN. EMBEDMENT	MIN. EDGE DISTANCE
WOOD	0.42 SPECIFIC GRAVITY	3/8" DIA. LAG SCREW	3"	1 1/2"
STEEL	12 GA, 45 KSI TENSILE STRENGTH, 33 KSI YIELD STRENGTH	1/4" DIA. SELF TAPPING SCREW	3 THREADS BEYOND SUB.	3/8"
CONCRETE	2500 PSI COMP. STRENGTH	3/8" DIA. HILTI KWIK BOLT 3, CARBON STEEL	2 1/2"	2 1/2"

NOTES:

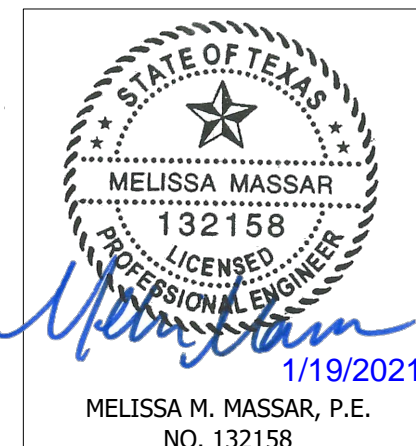
- THE PHB637HDXD COMPLIES WITH THE REQUIREMENTS OF THE 2018 IBC. THE PHB637HDXD HAS BEEN TESTED IN ACCORDANCE WITH FLORIDA PROTOCOLS TAS-201, 202 & 203 FOR LARGE MISSILE IMPACT, UNIFORM PRESSURE AND CYCLIC WIND PRESSURE.
- THIS PENTHOUSE SYSTEM IS APPROVED FOR APPLICATIONS WITH DESIGN PRESSURES OF +/- 110 PSF OR LESS.
- IT SHALL BE THE RESPONSIBILITY OF THE PERMIT HOLDER/BUILDING DESIGN ENGINEER OF RECORD TO VERIFY THE STRUCTURAL INTEGRITY OF THE ROOF CURB/STRUCTURE TO SUPPORT THE LOADS IMPOSED BY THIS PENTHOUSE SYSTEM.
- 'A'+12" AND 'B'+12" ARE THE OUTSIDE DIMENSIONS OF THE PENTHOUSE SIDES. 'A' AND 'B' ARE THE INSIDE DIMENSIONS OF THE CURB.
- THE MAXIMUM OUTSIDE DIMENSIONS OF THE PENTHOUSE ARE 96"X108"X84" TALL AS INDICATED ON THESE DRAWINGS. THE MINIMUM OUTSIDE DIMENSIONS OF THE PENTHOUSE ARE 24"X24"X12" TALL.
- SEALING REQUIREMENTS AROUND THE PENTHOUSE SHALL COMPLY WITH THE PROVISIONS OF CHAPTER 15 OF THE FLORIDA BUILDING CODE.

- ALL FASTENERS SHALL BE CORROSION RESISTANT.
- ALL WELDED ATTACHMENTS REQUIRE MIN. FILLER METAL OF 4043 ALUMINUM ALLOY WITH MIN. TENSILE STRENGTH OF 24 KSI.

ABBREVIATIONS:

- CONT. - CONTINUOUS
- H.V.B.S.- HIDDEN VERTICAL BLADE SUPPORT
- L.D. - LOUVER DIMENSION
- MAX. - MAXIMUM
- MIN. - MINIMUM
- NOM. - NOMINAL
- N.T.E. - NOT TO EXCEED
- O/C - ON CENTER
- OPP. - OPPOSITE
- O.D. - OVERALL DIMENSION
- SIM. - SIMILAR
- TYP. - TYPICAL
- U.N.C. - UNLESS NOTED OTHERWISE
- DIM. - DIMENSION
- FLG. - FLANGE
- D - SUBSTRATE DEPTH
- SUB. -SUBSTRATE

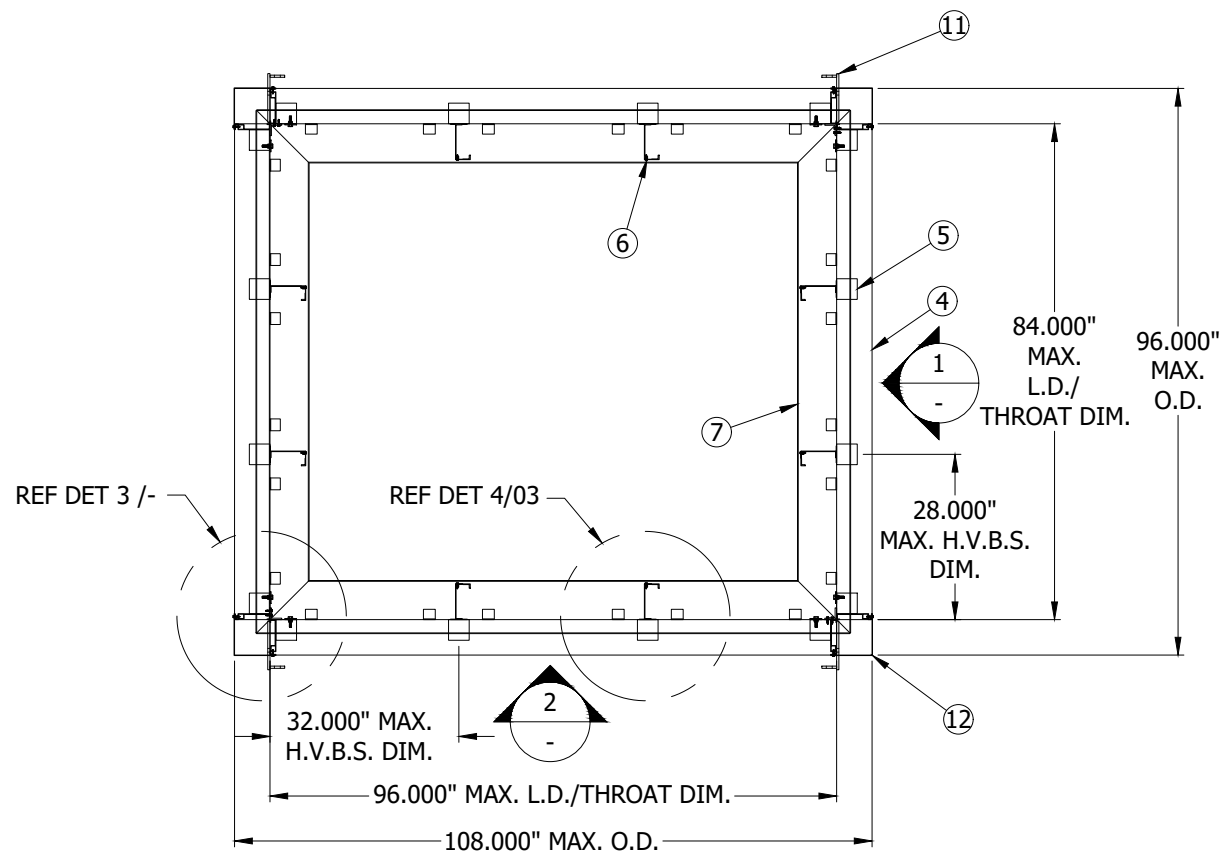
FOR OFFICE USE ONLY



MELISSA M. MASSAR, P.E.
NO. 132158

DWN. BY: WRT	CHK. BY: DJR	APPVD. BY: DJR	APPVD. BY:
DATE: 7/11/05	DATE: 1/9/06	DATE: 1/9/06	DATE:

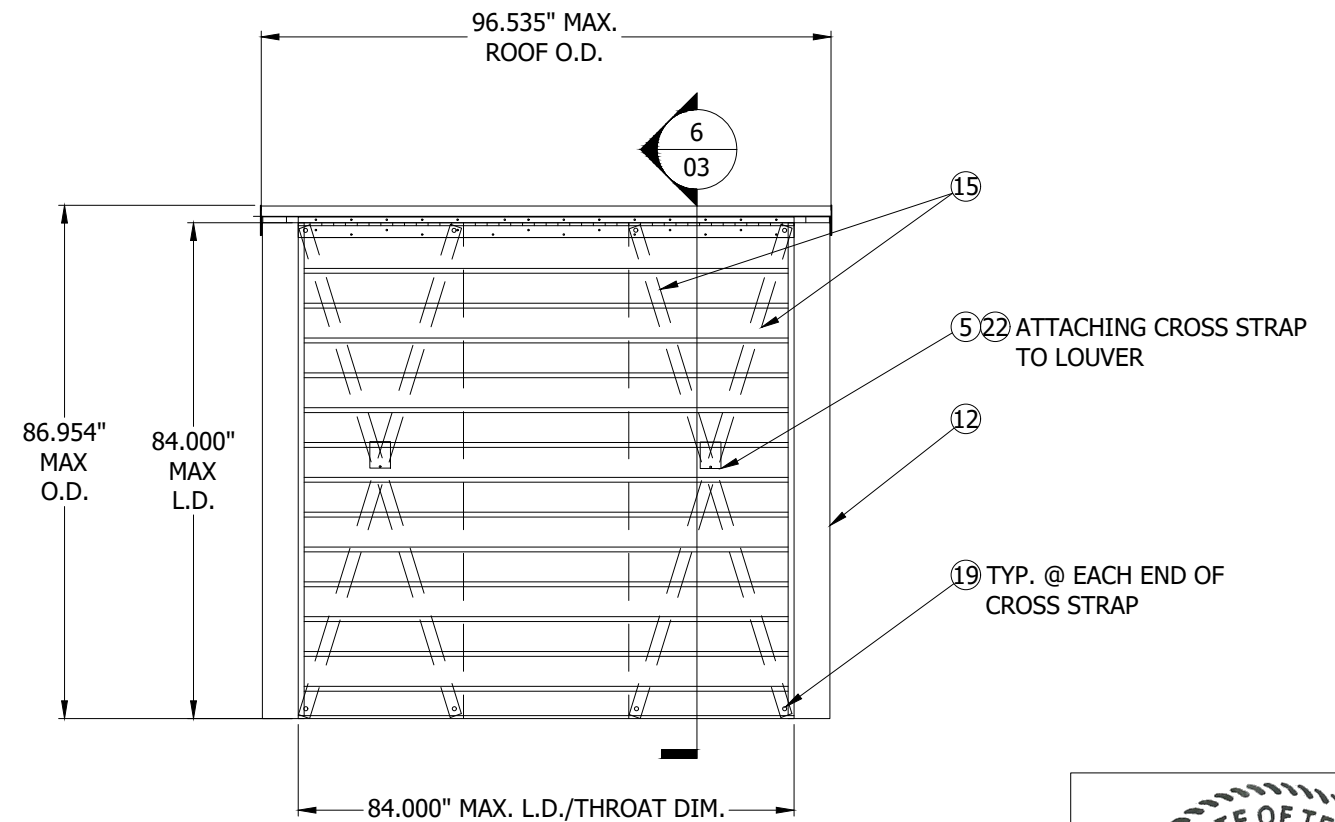
CHANGE LETTER	REVISION DESCRIPTION	DWN. BY:	CHK'D. BY:	APPVD. BY:	APPVD. BY:	DATE
(A)	REV'D NOTES. CHANGED ENGINEER OF RECORD	NS	MMM	MMM	-	1/15/21
TITLE		PLOT SCALE		DWG. CERTIFIED		
PHB637HDXD PENTHOUSE SPECS, NOTES AND DETAILS		NONE		BY: _____ DATE: _____		
3900 DR. GREAVES RD GRANDVIEW, MO 64030		DWG. NO.		60-022426-00D		



ASSEMBLY "A"

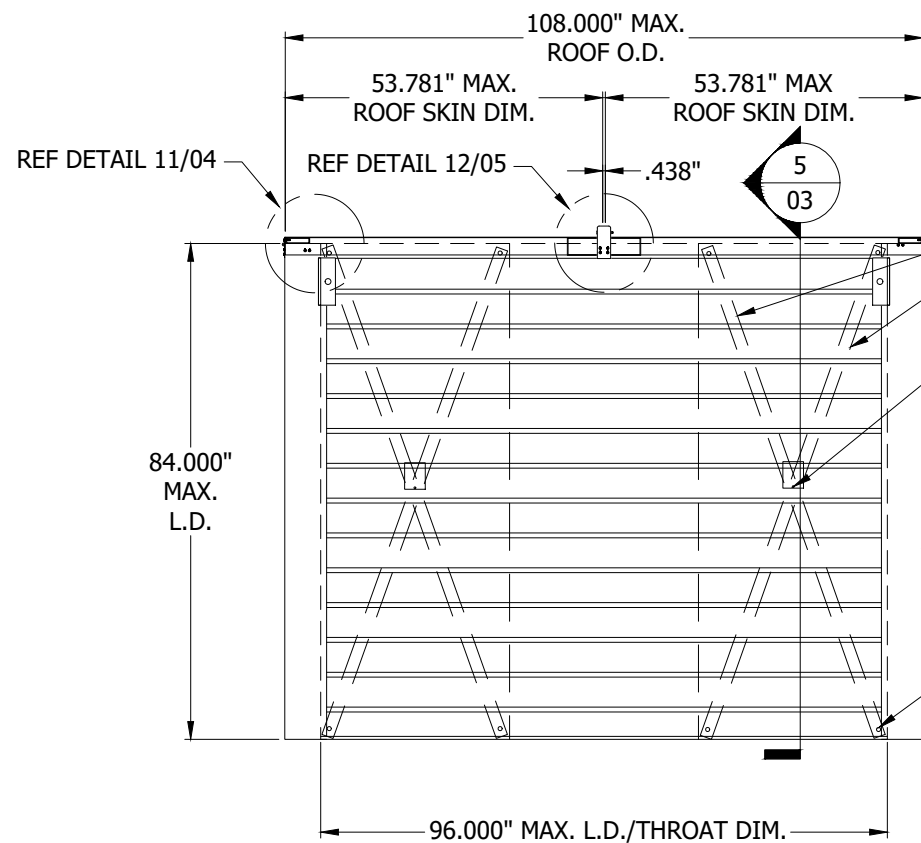
N.T.S.

PHB637HDXD
PLAN VIEW



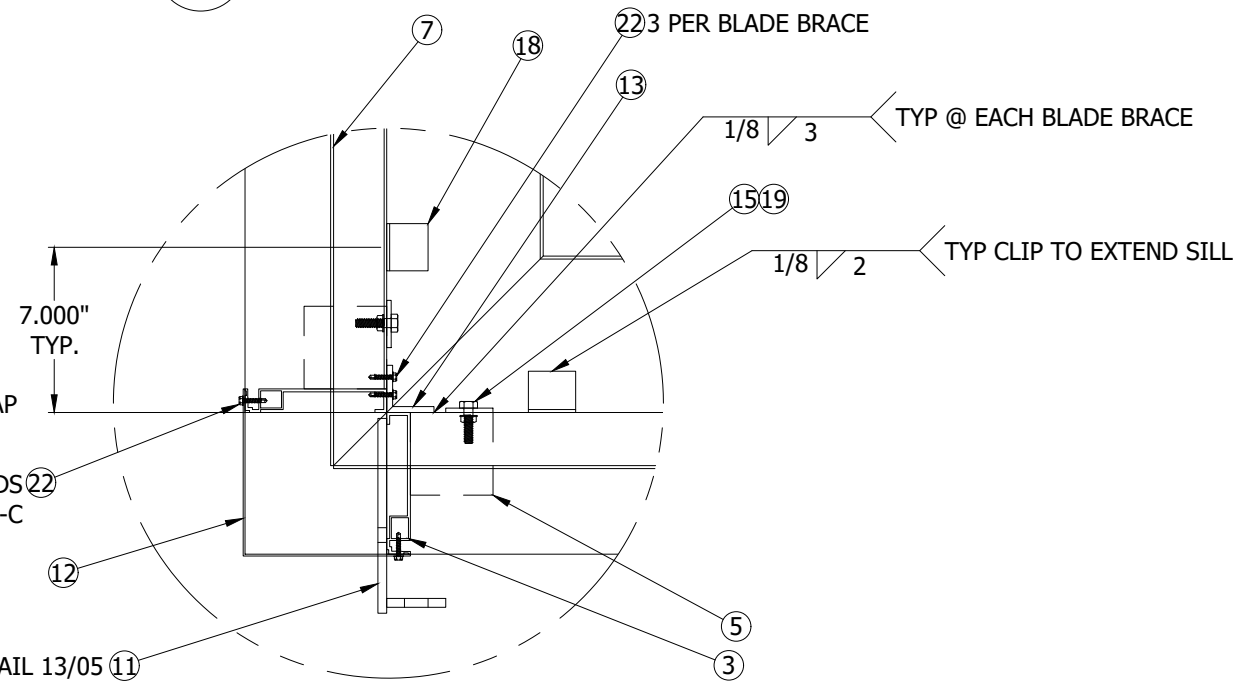
1 ELEVATION DETAIL

N.T.S.



2 ELEVATION DETAIL

N.T.S.



3 CORNER DETAIL

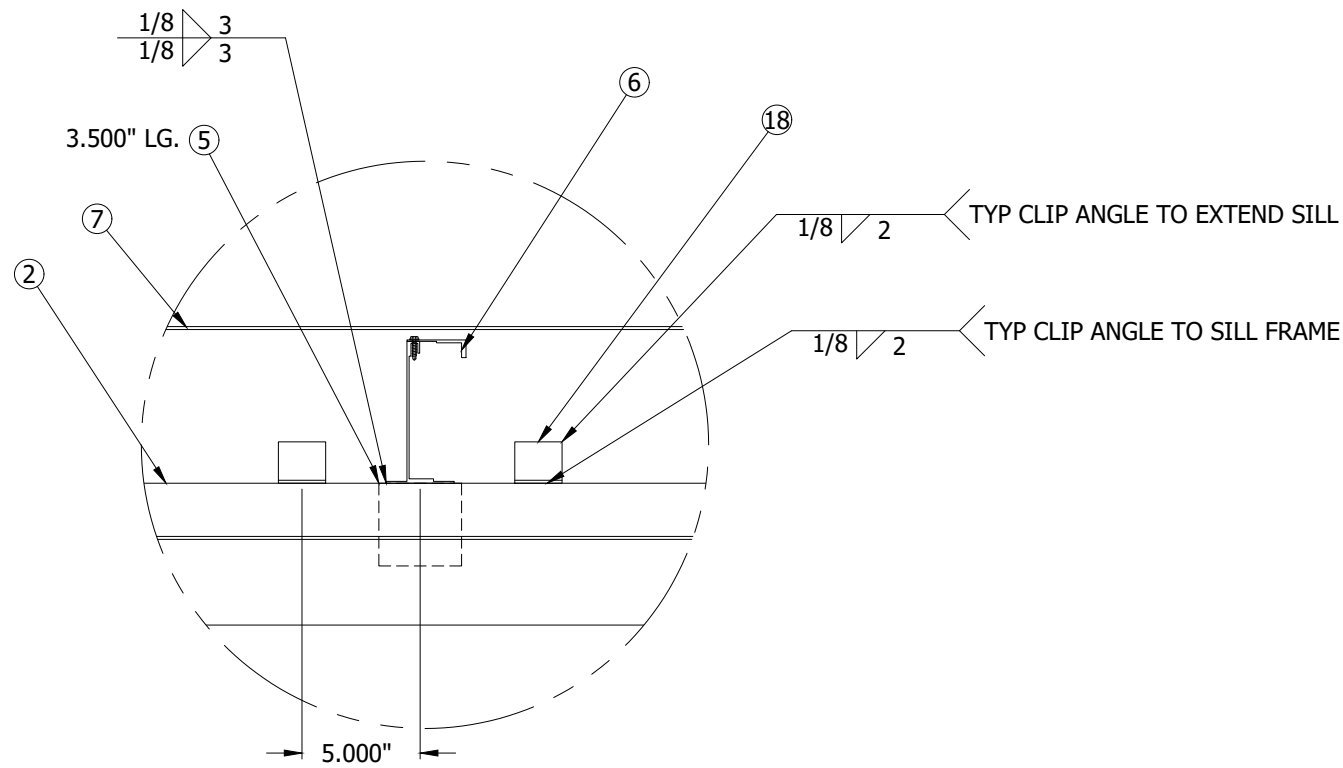
N.T.S.

MELISSA M. MASSAR, P.E.
 NO. 132158

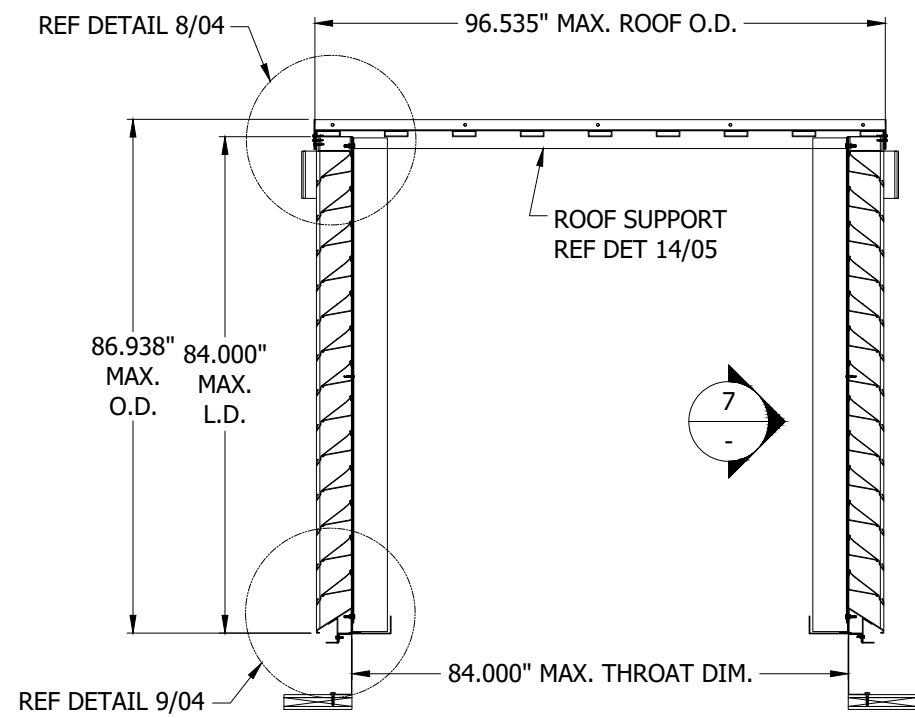
1/19/2021

FOR OFFICE USE ONLY

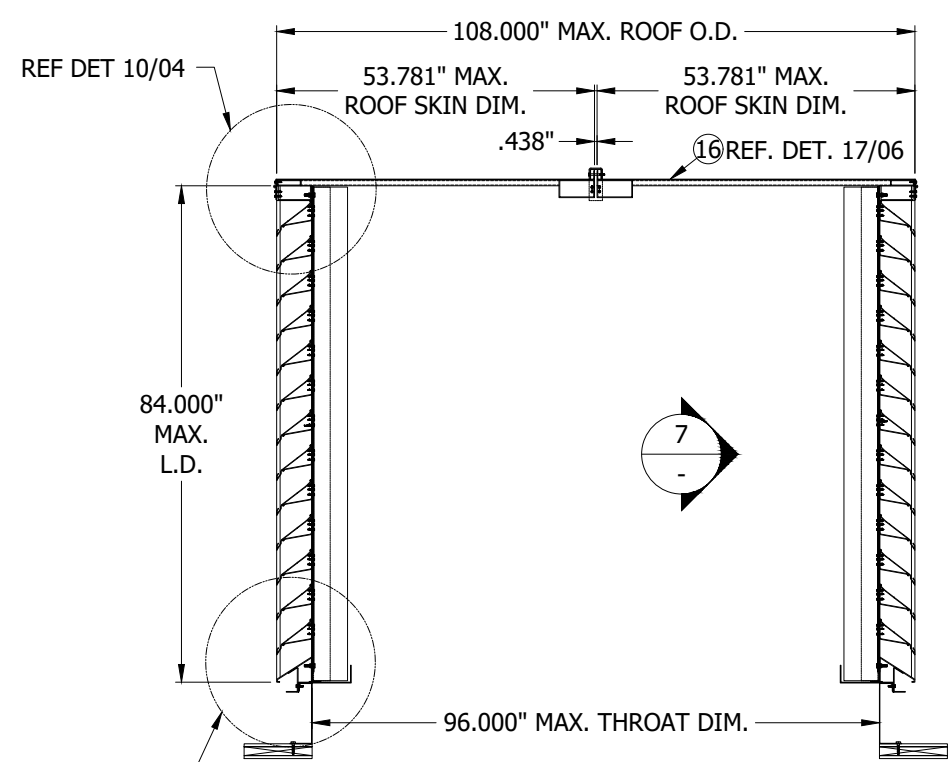
(A)	REV'D NOTES. CHANGED ENGINEER OF RECORD	NS	MMM	MMM	-	1/15/21
CHANGE LETTER	REVISION DESCRIPTION	DWN. BY:	CHKD. BY:	APPVD. BY:	APPVD. BY:	DATE
DWN. BY: WRT	CHK. BY: DJR	APPVD. BY: DJR	APPVD. BY:	3900 DR. GREAVES RD GRANDVIEW, MO 64030		
DATE: 7/11/05	DATE: 1/9/06	DATE: 1/9/06	DATE:	PLOT SCALE: NONE	DWG. CERTIFIED BY: DATE:	
TITLE: PHB637HDXD PENTHOUSE DETAILS		DWG. NO.:		60-022426-00D		
SHEET 02 OF 09						



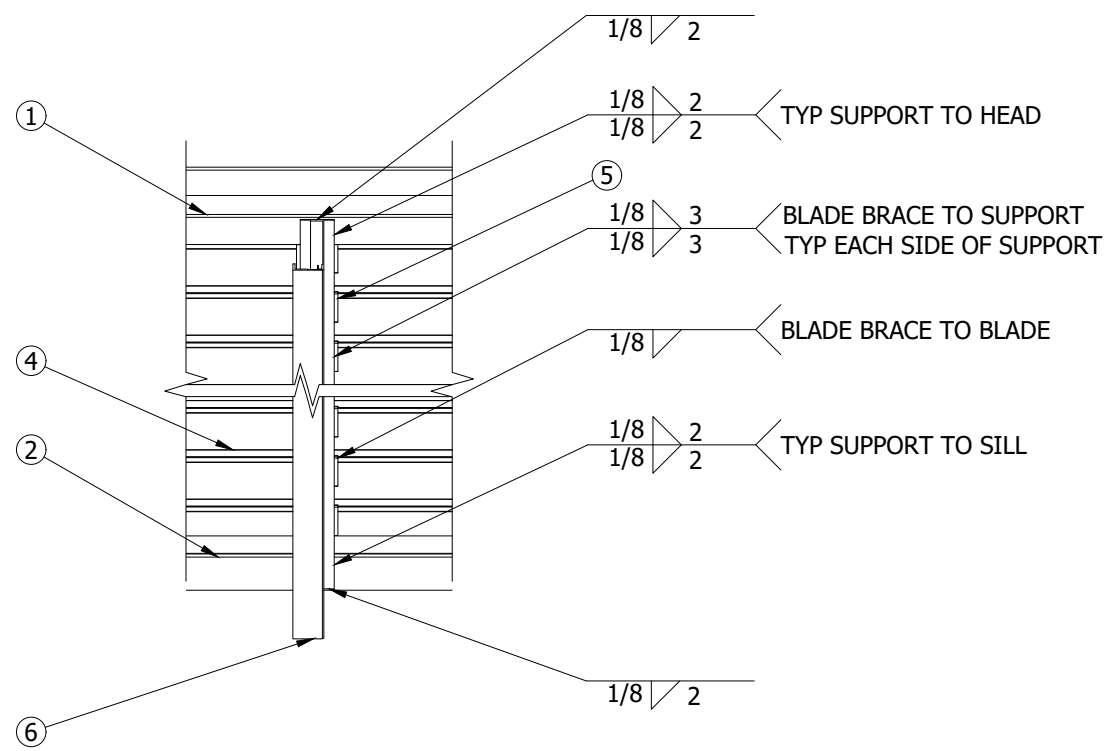
4 BLADE SUPPORT DETAIL
02 N.T.S.



5 PENTHOUSE DETAIL
02 N.T.S.



6 PENTHOUSE DETAIL
02 N.T.S.

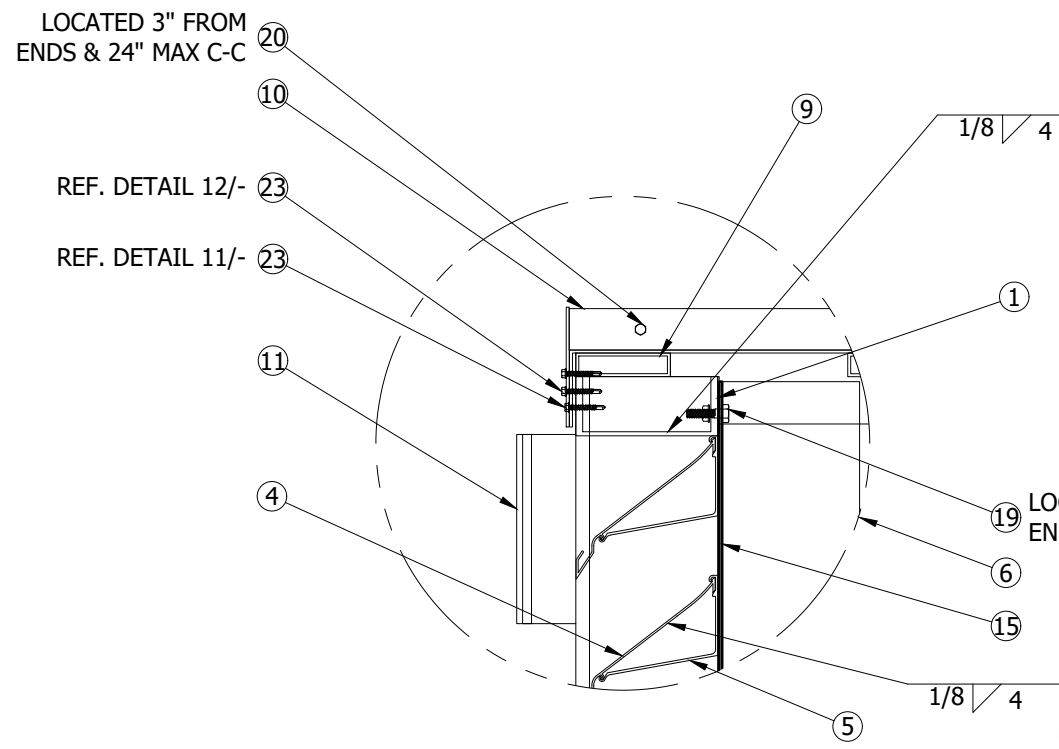


7 SUPPORT CONNECTION DETAIL
- N.T.S.

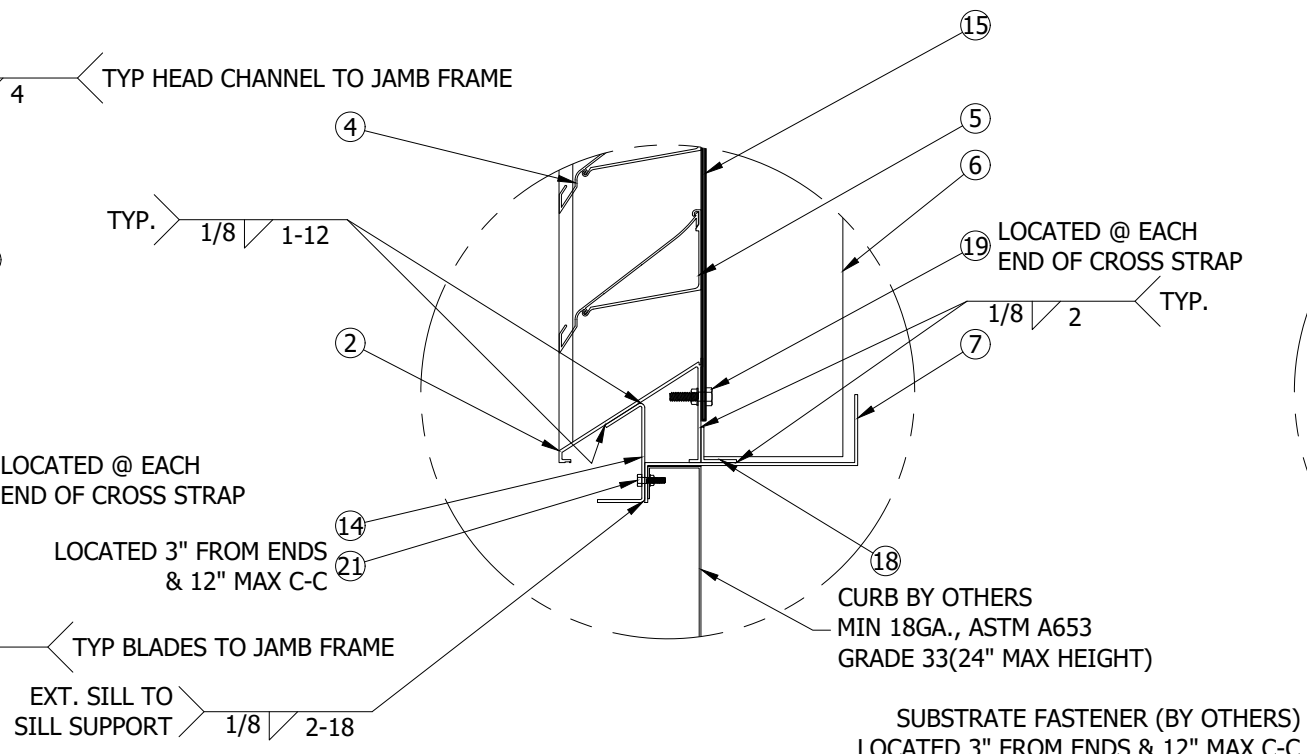
1/19/2021
 MELISSA M. MASSAR, P.E.
 NO. 132158

FOR OFFICE USE ONLY

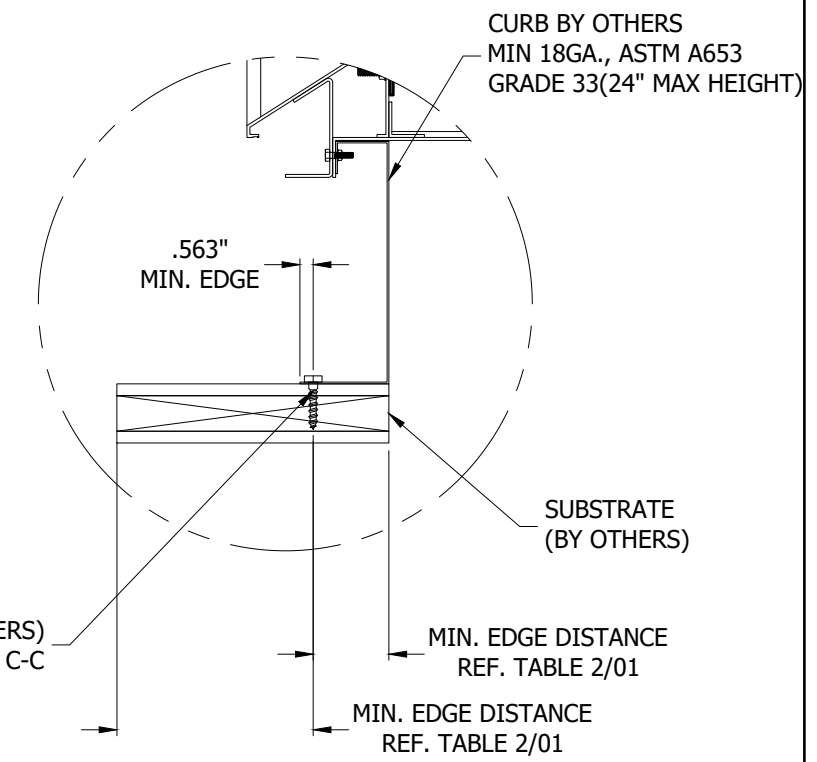
(A)	REV'D NOTES, CHANGED ENGINEER OF RECORD	NS	MMM	MMM	-	1/15/21
CHANGE LETTER	REVISION DESCRIPTION	DWN. BY:	CHKD. BY:	APPVD. BY:	APPVD. BY:	DATE
WRT	DJR	DJR	DJR			
DATE: 7/11/05	DATE: 1/9/06	DATE: 1/9/06	DATE:			
		3900 DR. GREAVES RD GRANDVIEW, MO 64030		PLOT SCALE NONE		DWG. CERTIFIED BY: _____ DATE: _____
SHEET 03 OF 09		PHB637HDXD PENTHOUSE DETAILS		60-022426-00D		



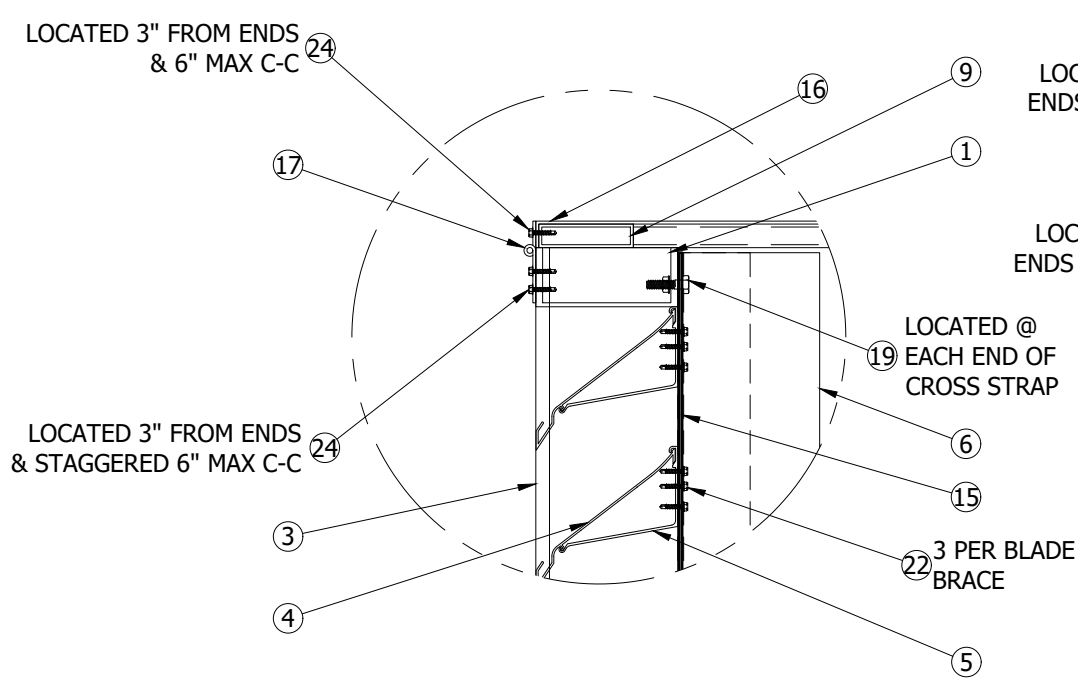
8 ROOF ATTACHMENT DETAIL
03 N.T.S.



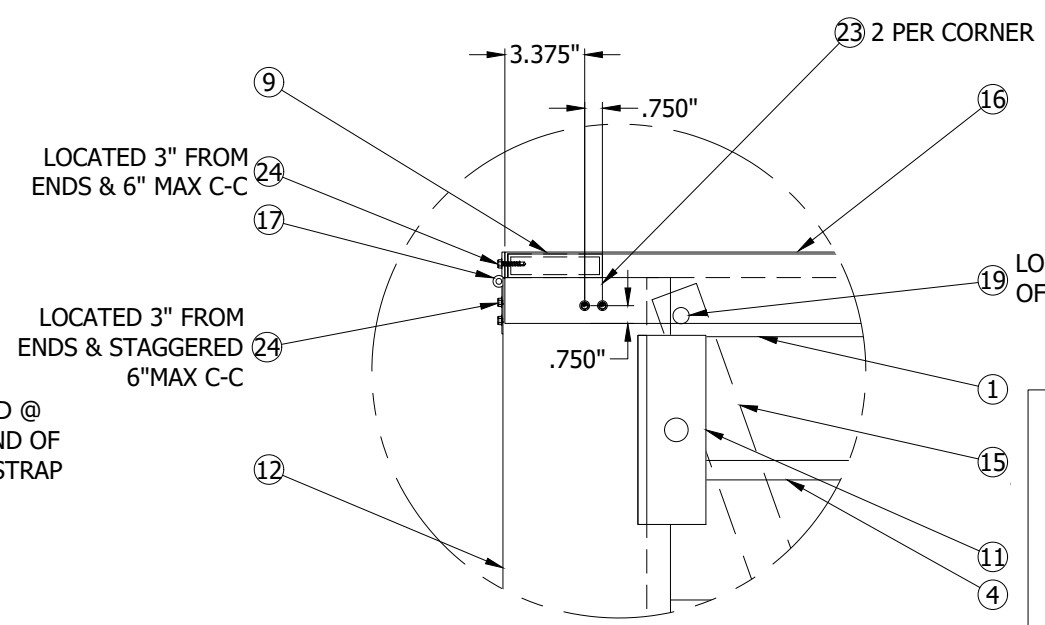
9 SILL ATTACHMENT DETAIL
- N.T.S.



9A CURB ATTACHMENT DETAIL (BY OTHERS)
- N.T.S.



10 ROOF ATTACHMENT DETAIL
03 N.T.S.



11 ROOF ATTACHMENT DETAIL
- N.T.S.



MELISSA M. MASSAR, P.E.
NO. 132158

DWN. BY: WRT	CHK. BY: DJR	APPV'D. BY: DJR	APPV'D. BY:
DATE: 7/11/05	DATE: 1/9/06	DATE: 1/9/06	DATE:

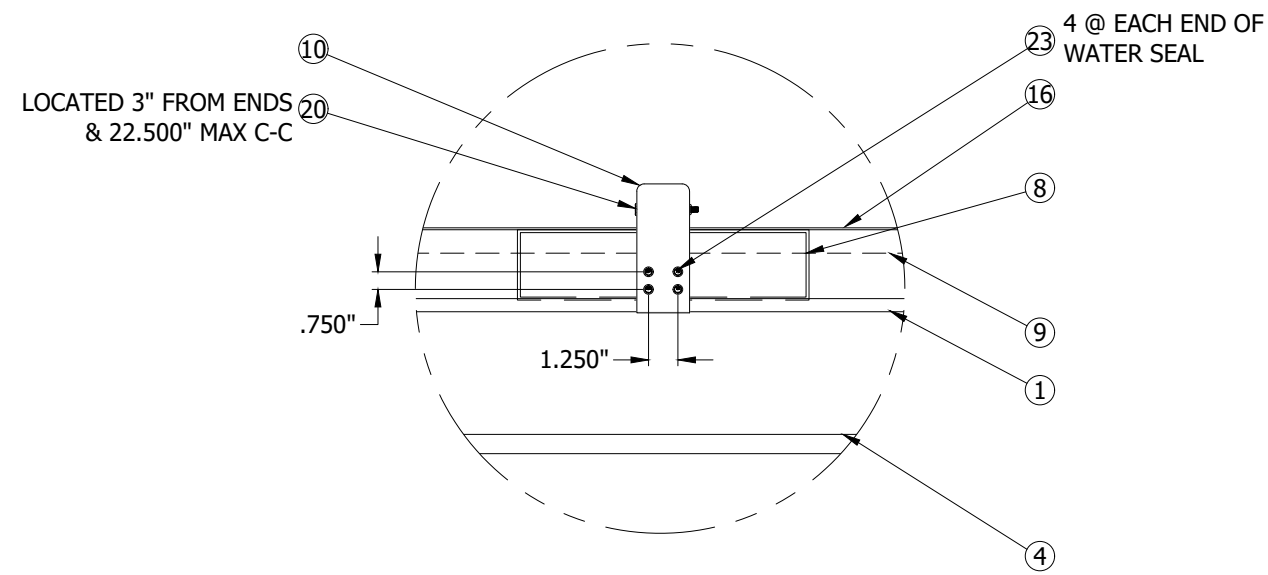
(A)	REV'D NOTES. CHANGED ENGINEER OF RECORD	NS	MMM	MMM	-	1/15/21
CHANGE LETTER	REVISION DESCRIPTION	DWN. BY:	CHKD. BY:	APPV'D. BY:	APPV'D. BY:	DATE

RUSKIN	3900 DR. GREAVES RD GRANDVIEW, MO 64030	PLOT SCALE NONE	DWG. CERTIFIED BY: _____ DATE: _____
---------------	--	--------------------	--

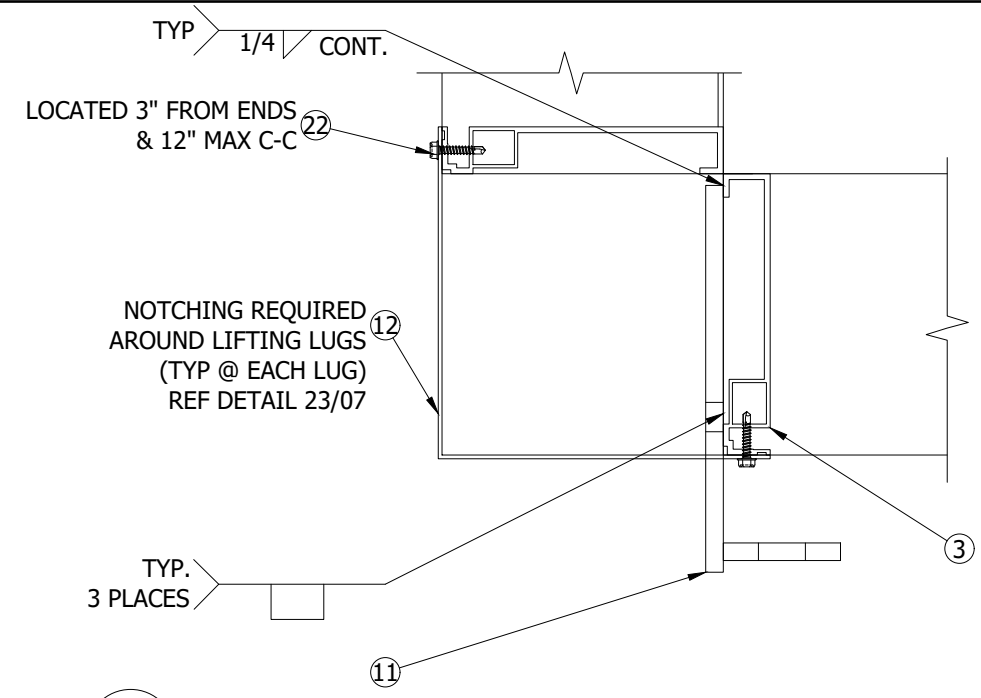
SHEET 04 OF 09

TITLE
PHB637HDXD PENTHOUSE DETAILS
DWG. NO.
60-022426-00D

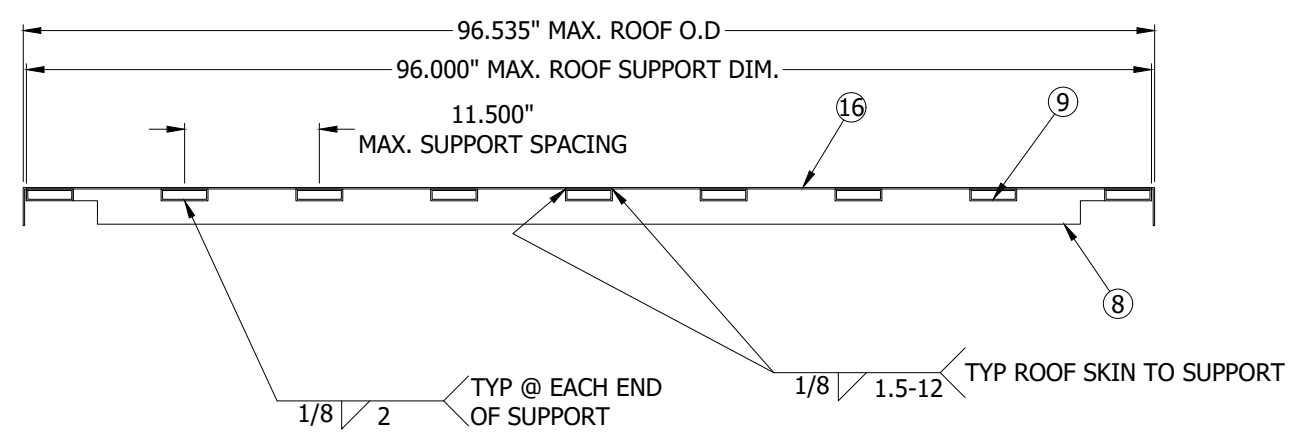
FOR OFFICE USE ONLY



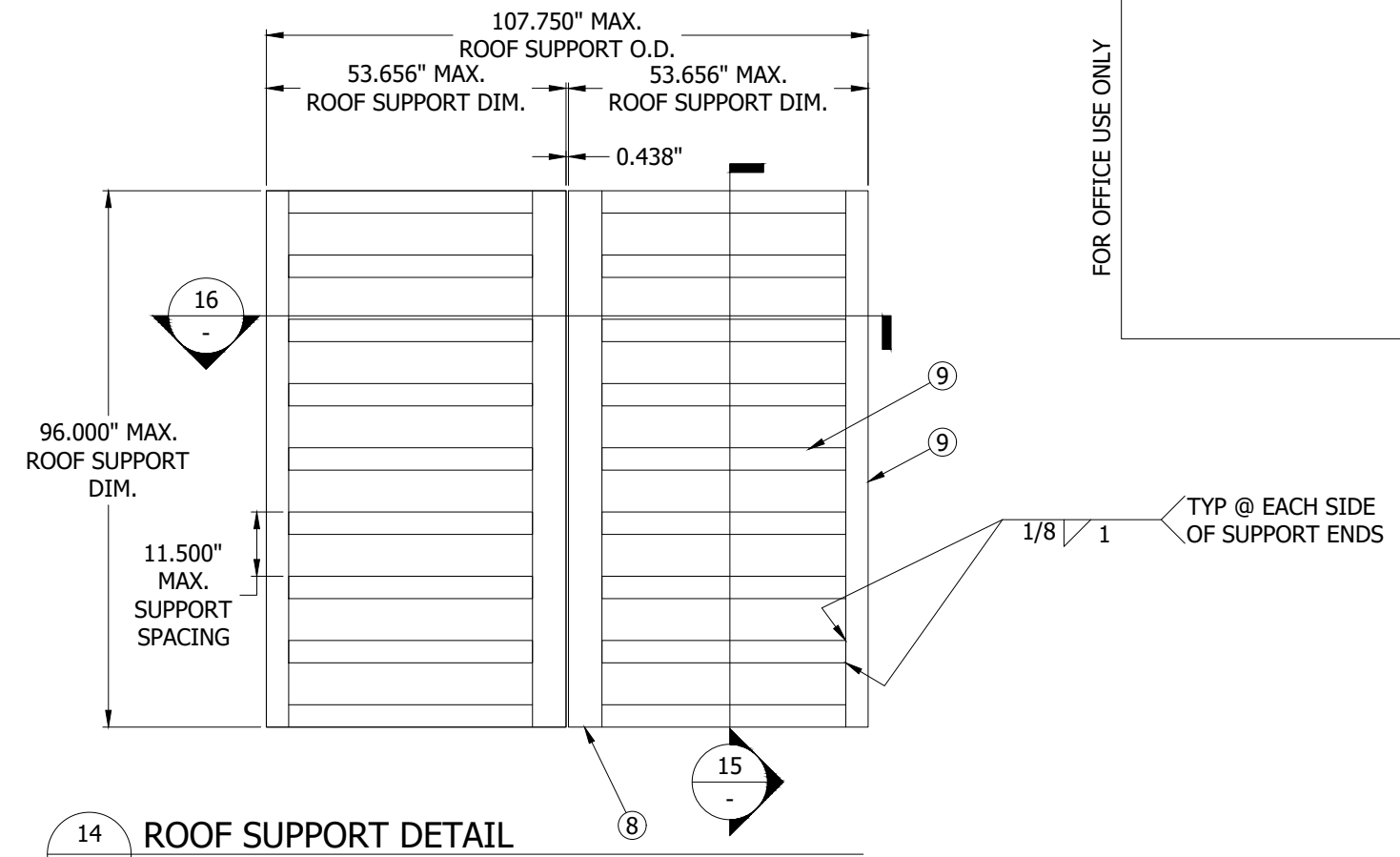
12 ROOF ATTACHMENT AT MIDDLE
04 N.T.S.



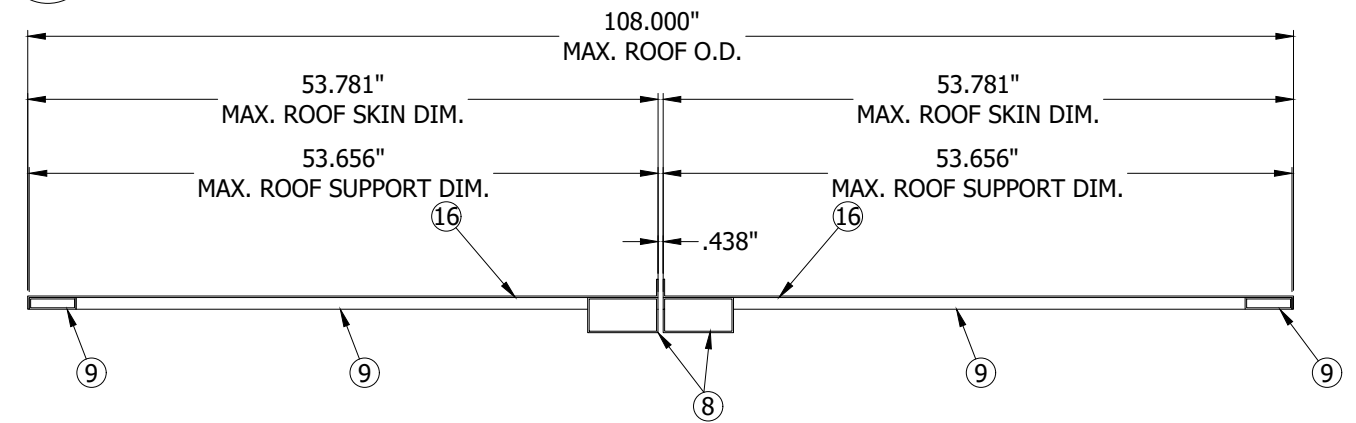
13 LIFT LUG CONNECTION
- N.T.S.



15 ROOF CONNECTION DETAIL
- N.T.S.



14 ROOF SUPPORT DETAIL
- N.T.S.

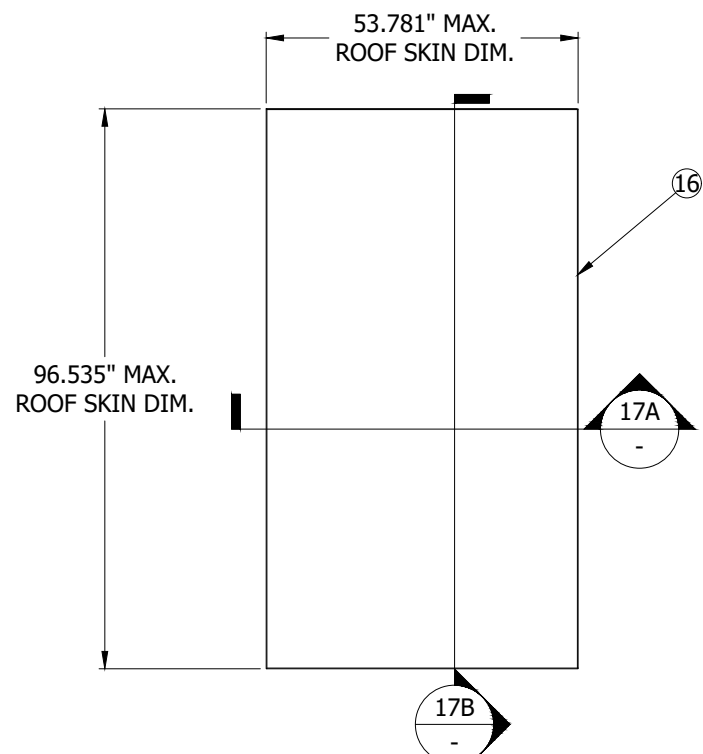


16 ROOF CONNECTION DETAIL
- N.T.S.

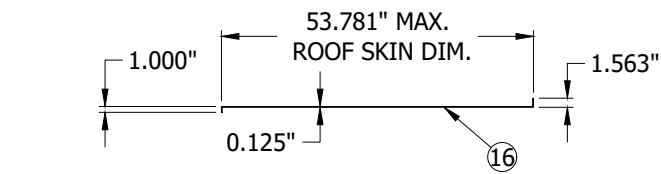


FOR OFFICE USE ONLY

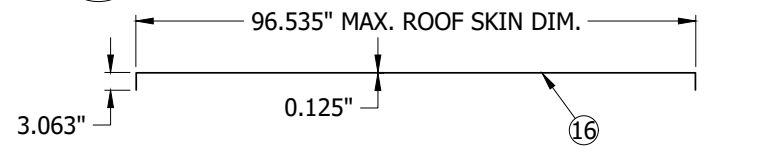
(A)	REV'D NOTES. CHANGED ENGINEER OF RECORD	NS	MMM	MMM	-	1/15/21
CHANGE LETTER	REVISION DESCRIPTION	DWN. BY:	CHK'D. BY:	APPV'D. BY:	APPV'D. BY:	DATE
DWN. BY: WRT DATE: 7/11/05	CHK. BY: DJR DATE: 1/9/06	APPV'D. BY: DJR DATE: 1/9/06	APPV'D. BY:	DATE:	3900 DR. GREAVES RD GRANDVIEW, MO 64030 PLOT SCALE: NONE DWG. CERTIFIED BY: DATE:	
TITLE: PHB637HDXD PENTHOUSE DETAILS		DWG. NO.: 60-022426-00D				
SHEET 05 OF 09						



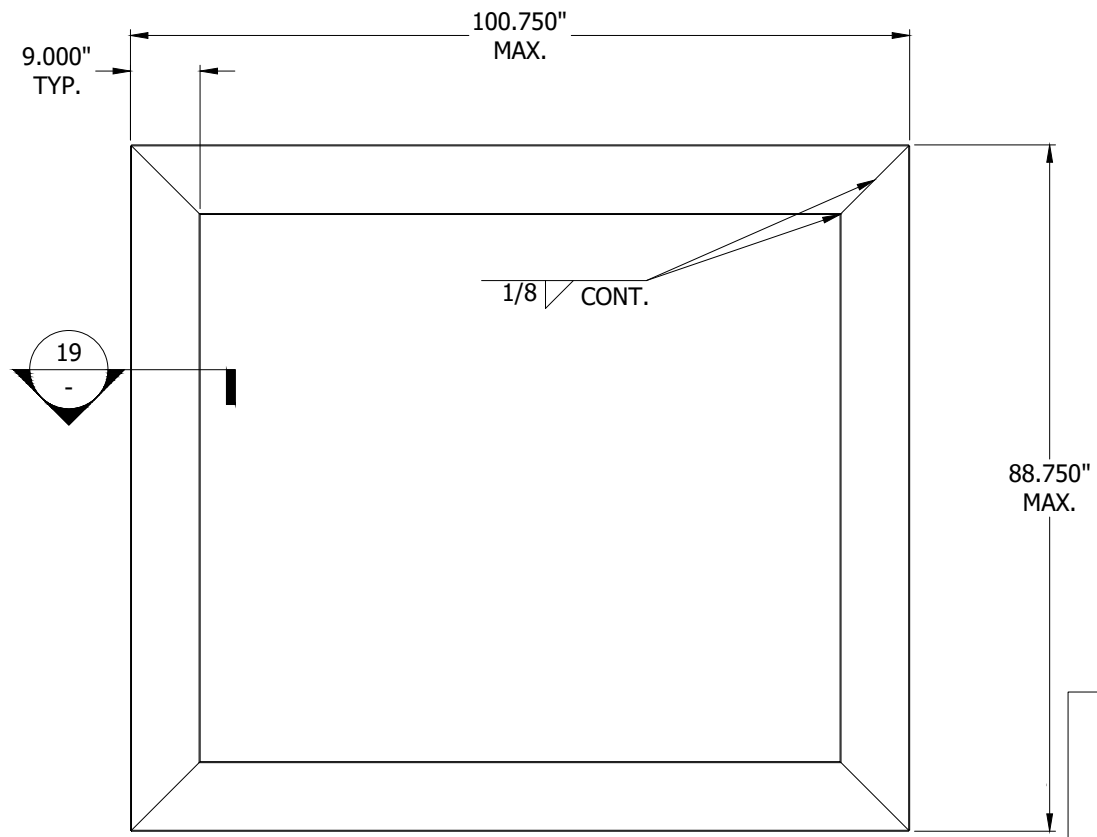
17 ROOF SKIN DETAIL
01 N.T.S.



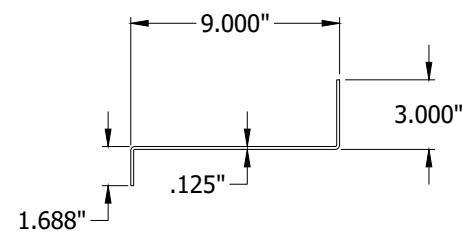
17A ROOF SKIN SECTION DETAIL
- N.T.S.



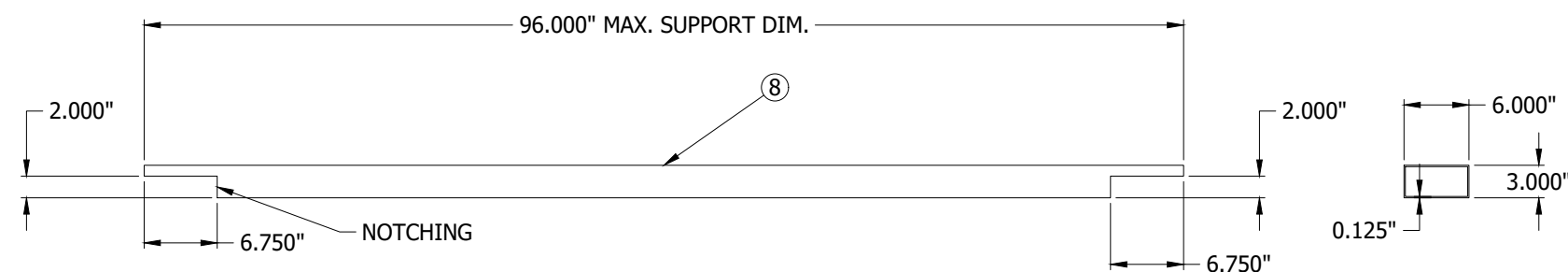
17B ROOF SKIN SECTION DETAIL
- N.T.S.



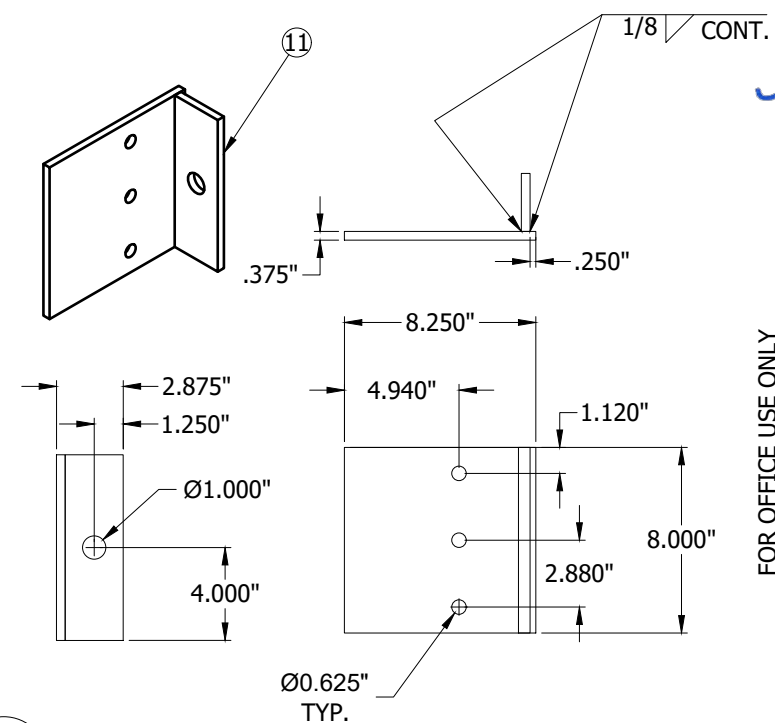
18 EXTENDED SILL DETAIL
01 N.T.S.



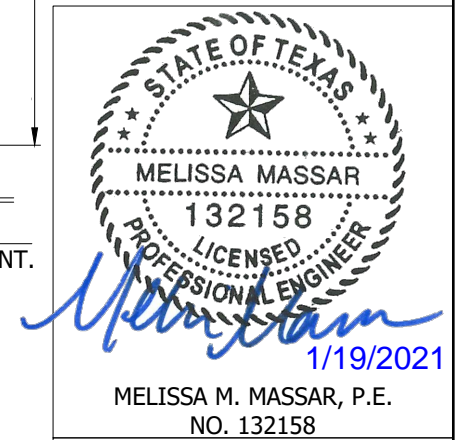
19 EXTENDED SILL SECTION DETAIL
- N.T.S.



20 ROOF SUPPORT NOTCHING
01 N.T.S.

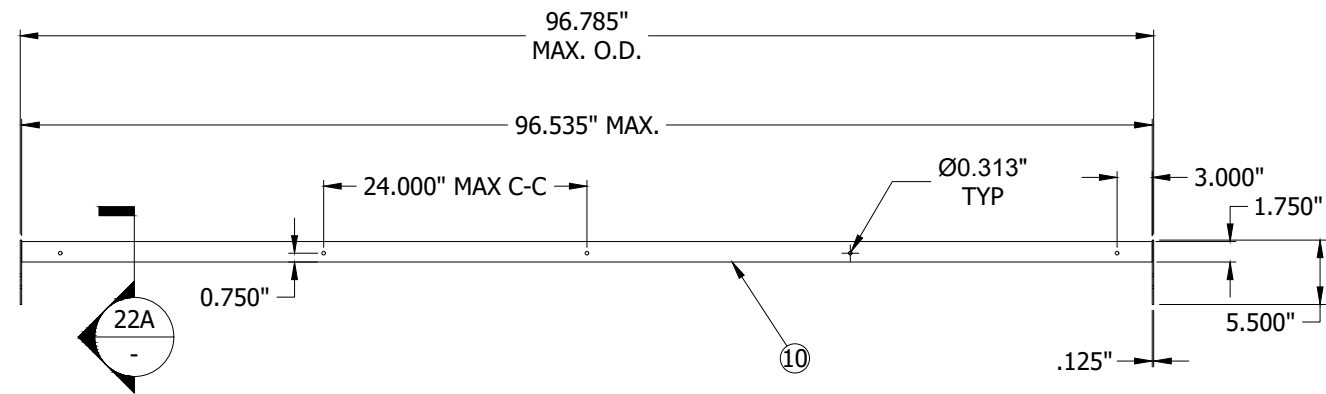


21 LIFT LUG DETAIL
01 N.T.S.

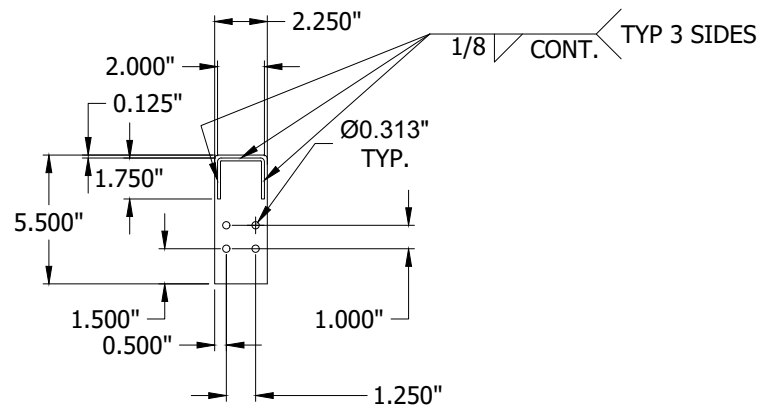


FOR OFFICE USE ONLY

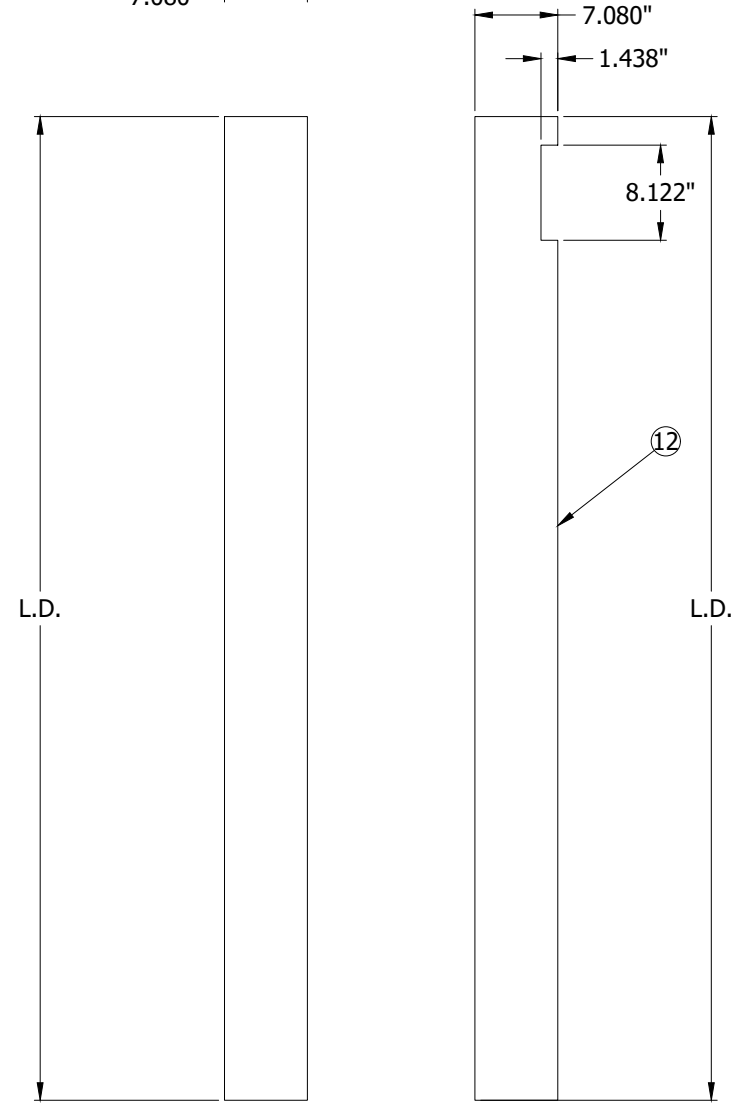
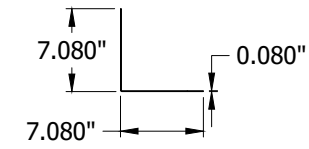
DWG. BY: WRT DATE: 7/11/05		CHK. BY: DJR DATE: 1/9/06		APPVD. BY: DJR DATE: 1/9/06		APPVD. BY: [Signature] DATE: 1/19/2021		REVD NOTES: CHANGED ENGINEER OF RECORD NS MMM MMM - 1/15/21	
CHANGE LETTER: [Blank]		REVISION DESCRIPTION: [Blank]		DWN. BY: [Blank]		CHK'D. BY: [Blank]		APPVD. BY: [Blank]	
TITLE: PHB637HDXD PENTHOUSE DETAILS		PROJECT: 3900 DR. GREAVES RD GRANDVIEW, MO 64030		PLOT SCALE: NONE		DWG. CERTIFIED BY: [Blank]		DATE: [Blank]	
SHEET 06 OF 09		DWG. NO.: 60-022426-00D		[Blank]		[Blank]		[Blank]	



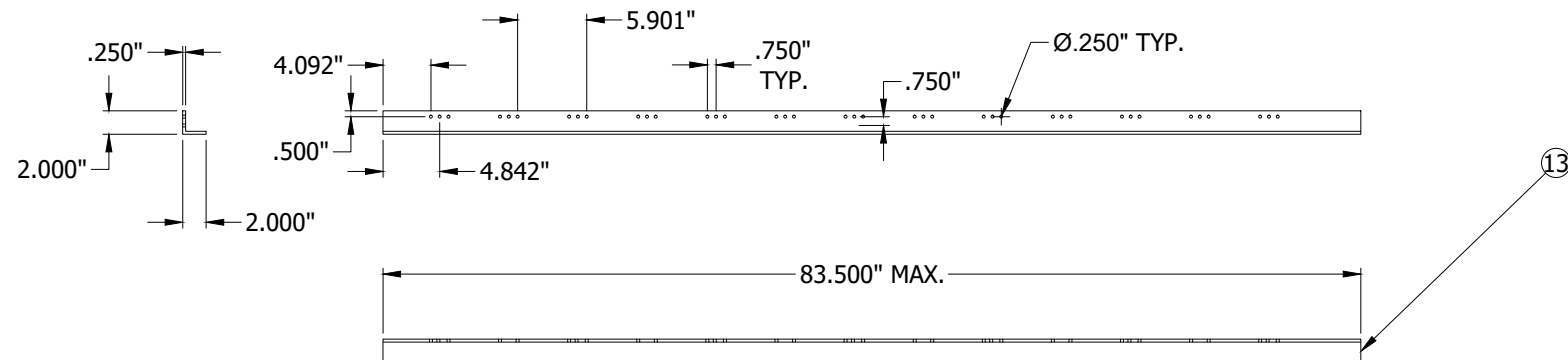
22 WATER SEAL DETAIL
01 N.T.S.



22A WATER SEAL DETAIL
- N.T.S.



23 CORNER FLASHING DETAIL
01 N.T.S.

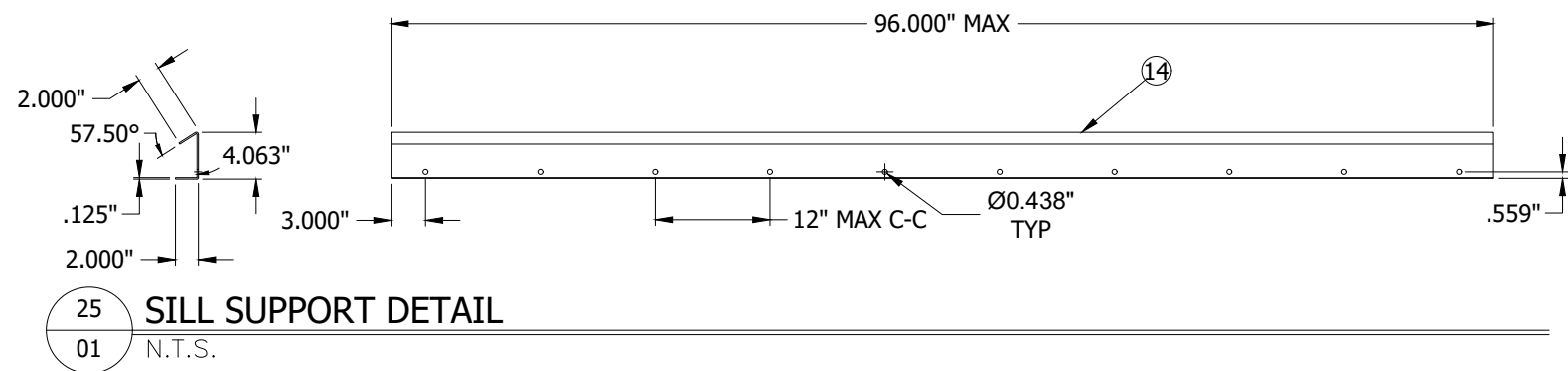


24 CORNER ANGLE DETAIL
01 N.T.S.

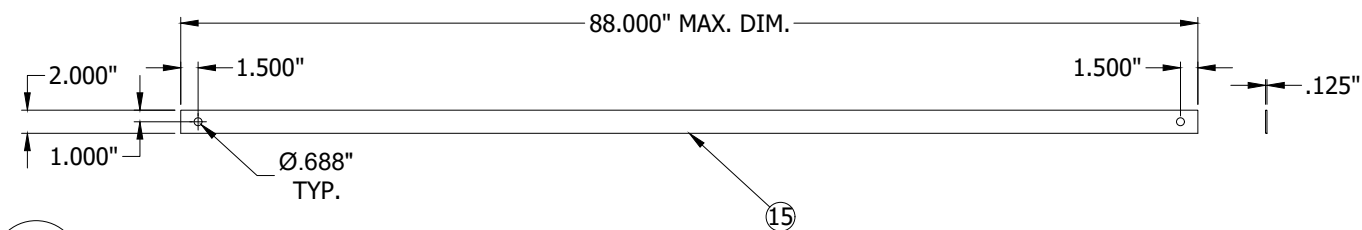
STATE OF TEXAS
MELISSA MASSAR
132158
LICENSED PROFESSIONAL ENGINEER
1/19/2021
MELISSA M. MASSAR, P.E.
NO. 132158

FOR OFFICE USE ONLY

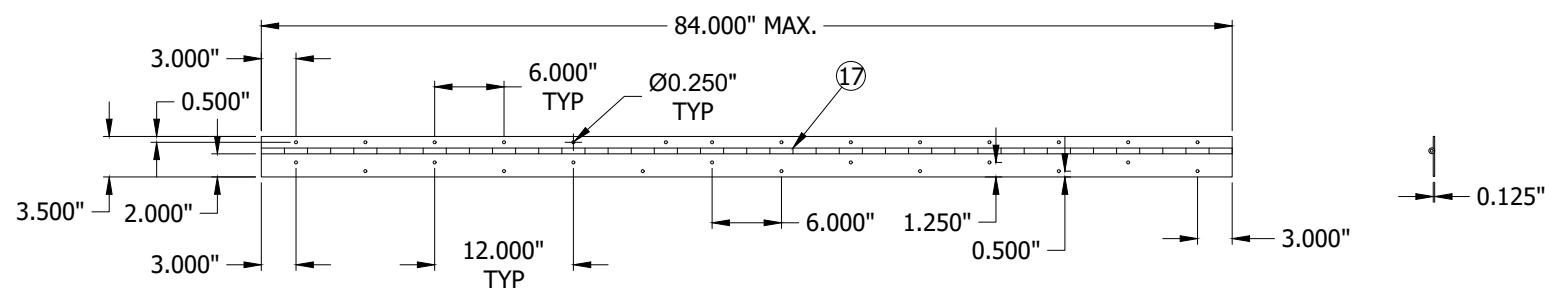
REVD NOTES. CHANGED ENGINEER OF RECORD	NS	MMM	MMM	-	1/15/21
CHANGE LETTER	REVISION DESCRIPTION	DWN. BY:	CHKD. BY:	APPVD. BY:	APPVD. BY:
BY: WRT	DATE: 7/11/05	BY: DJR	DATE: 1/9/06	BY: DJR	DATE: 1/9/06
TITLE: PHB637HDXD PENTHOUSE DETAILS		DWG. NO.: 60-022426-00D		DWG. CERTIFIED BY: DATE:	
SHEET 07 OF 09		RUSKIN 3900 DR. GREAVES RD GRANDVIEW, MO 64030		PLOT SCALE: NONE	



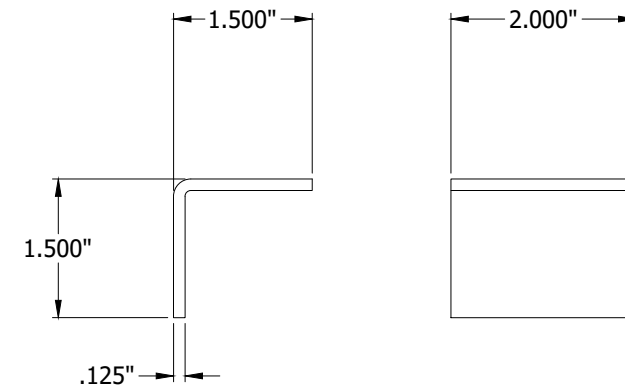
25 SILL SUPPORT DETAIL
01 N.T.S.



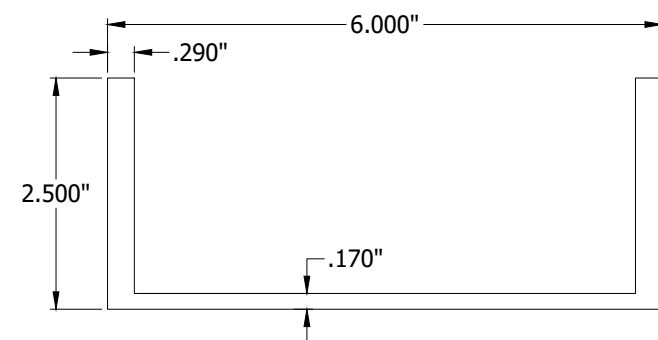
26 CROSS STRAP DETAIL
01 N.T.S.



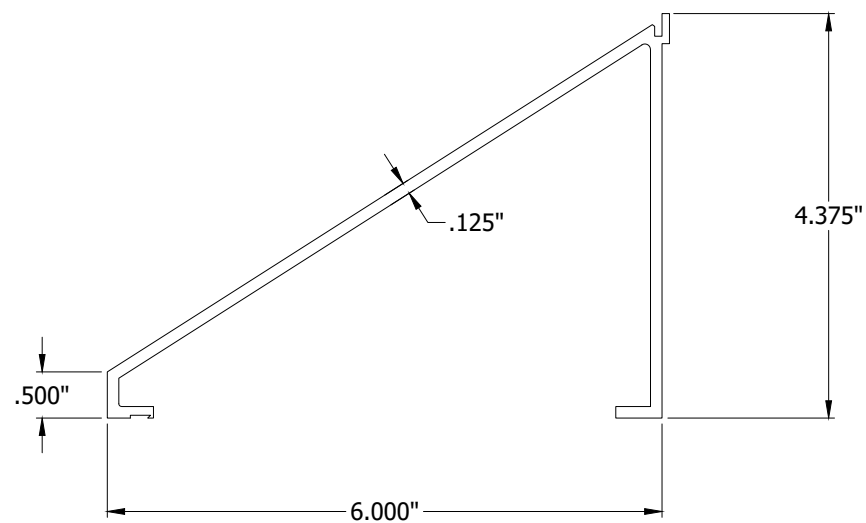
27 ROOF HINGE DETAIL
01 N.T.S.



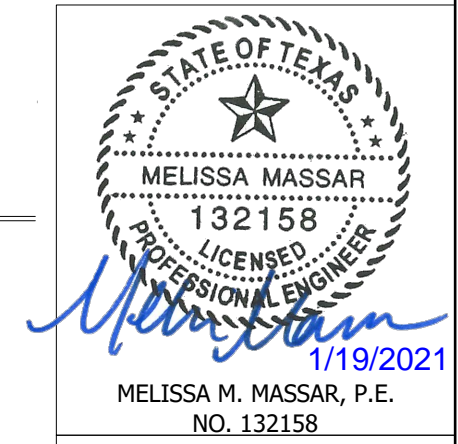
28 CLIP ANGLE DETAIL
01 N.T.S.



ITEM 1 HEAD CHANNEL
N.T.S.
RUSKIN # CO23511

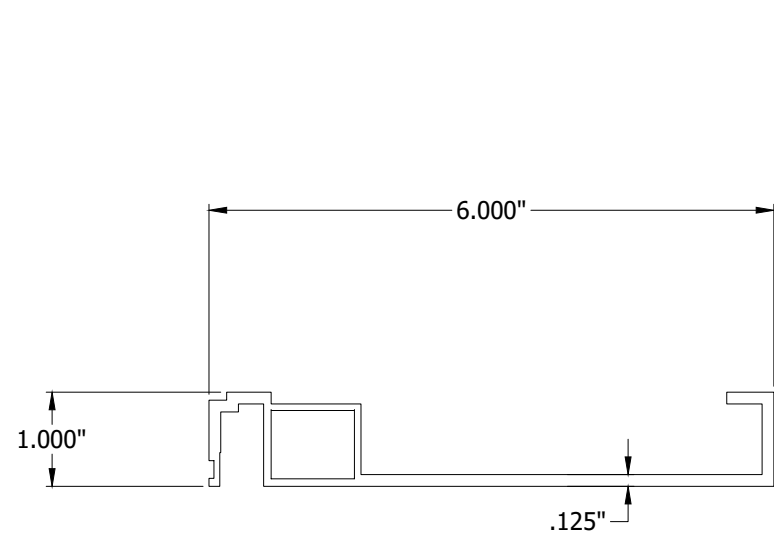


ITEM 2 SILL FRAME
N.T.S.
RUSKIN # 70-021130-00B



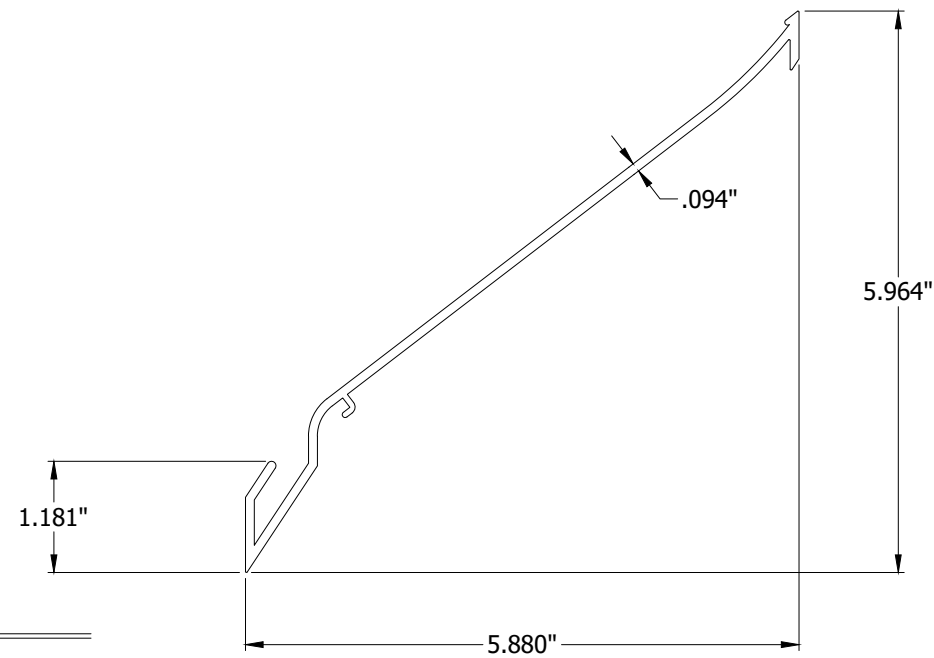
FOR OFFICE USE ONLY

REV'D NOTES, CHANGED ENGINEER OF RECORD	NS	MMM	MMM	-	1/15/21
CHANGE LETTER	REVISION DESCRIPTION	DWN. BY:	CHKD. BY:	APPVD. BY:	APPVD. DATE
DWN. BY: WRT	CHK. BY: DJR	APPVD. BY: DJR	APPVD. BY:	3900 DR. GREAVES RD GRANDVIEW, MO 64030	
DATE: 7/11/05	DATE: 1/9/06	DATE: 1/9/06	DATE:	PLOT SCALE: NONE	
TITLE: PHB637HDXD PENTHOUSE DETAILS			DWG. NO.: 60-022426-00D		
SHEET 08 OF 09					



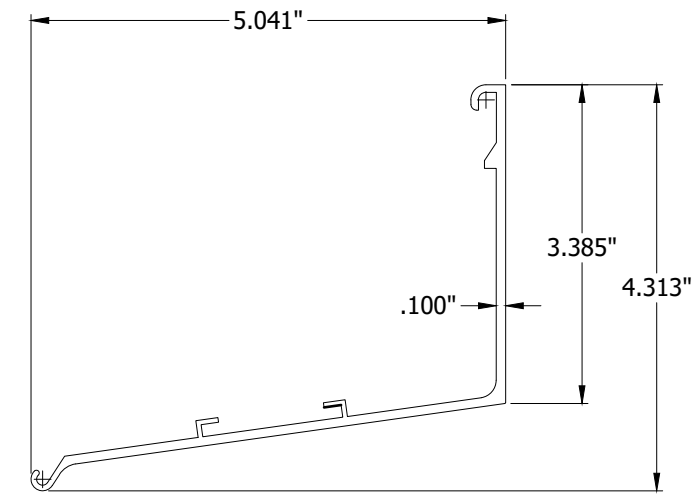
ITEM 3 JAMB FRAME

N.T.S.
RUSKIN # 70-020691-00B



ITEM 4 BLADE

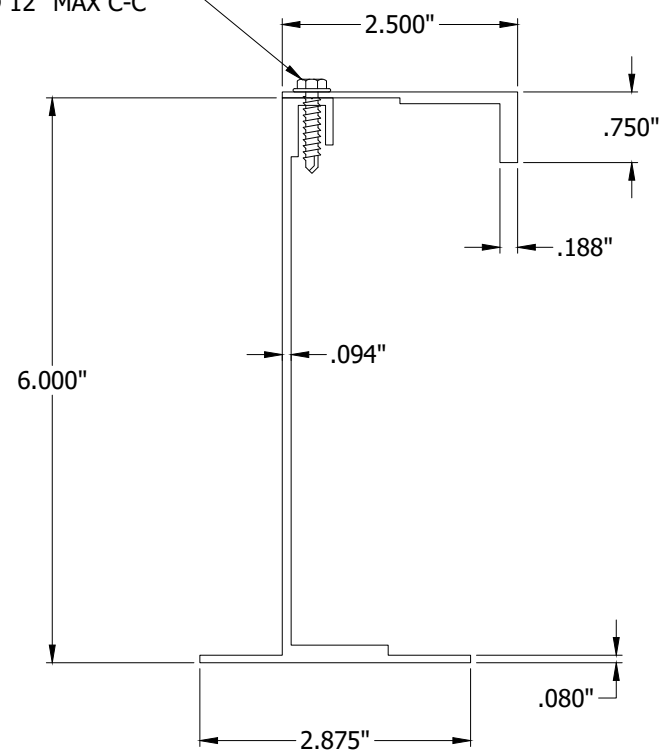
N.T.S.
RUSKIN # 70-020560-00B



ITEM 5 BLADE BRACE

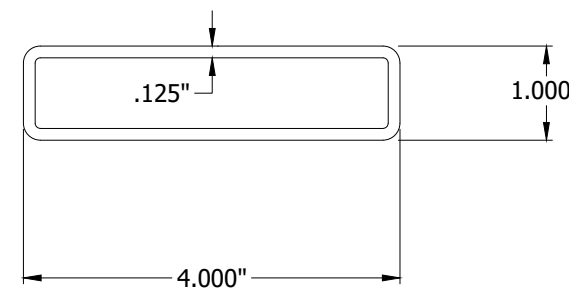
N.T.S.
RUSKIN # 70-020568-00B

#10-16 X .750" LG S.D. SCREW
LOCATED 4" FROM ENDS
AND 12" MAX C-C



ITEM 6 6" BLADE SUPPORT (H.V.B.S.)

N.T.S.
RUSKIN # 70-021465-00B



ITEM 9 4" X 1" ROOF SUPPORT

N.T.S.
RUSKIN # A7070



FOR OFFICE USE ONLY

A		REVD NOTES. CHANGED ENGINEER OF RECORD	NS	MMM	MMM	-	1/15/21
CHANGE LETTER	REVISION DESCRIPTION		DWN. BY:	CHKD. BY:	APPVD. BY:	APPVD. BY:	DATE
DWN. BY: WRT	CHK. BY: DJR	APPVD. BY: DJR	APPVD. BY:	3900 DR. GREAVES RD GRANDVIEW, MO 64030		PLOT SCALE NONE	
DATE: 7/11/05	DATE: 1/9/06	DATE: 1/9/06	DATE:	RUSKIN AUTHORITY IN ARCHITECTURE		DWG. CERTIFIED BY: _____ DATE: _____	
SHEET 09 OF 09		PHB637HDXD PENTHOUSE DETAILS		DWG. NO. 60-022426-00D			