

REVISIONS			
REV	DESCRIPTION	DATE	APPROVED

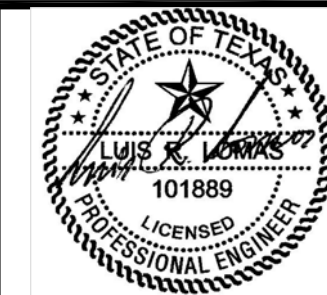
NOTES:

1. THE PRODUCT SHOWN HEREIN IS DESIGNED AND MANUFACTURED TO COMPLY WITH REQUIREMENTS OF THE 2006 IBC AND 2006 IRC WITH STATE OF TEXAS MODIFICATIONS AND THE 2009 IBC, 2009 IRC, 2012 IBC, 2012 IRC, 2015 IBC AND 2015 IRC.
2. WOOD FRAMING AND MASONRY OPENING TO BE DESIGNED AND ANCHORED TO PROPERLY TRANSFER ALL LOADS TO STRUCTURE. FRAMING AND MASONRY OPENING IS THE RESPONSIBILITY OF THE ARCHITECT OR ENGINEER OF RECORD.
3. SHIM AS REQUIRED AT EACH ANCHOR LOCATION WITH LOAD BEARING SHIM. SHIM WHERE SPACE OF 1/16" OR GREATER OCCURS. MAXIMUM ALLOWABLE SHIM STACK TO BE 1/2".
4. SHIMS SHALL BE LOCATED, APPLIED AND MADE FROM MATERIALS AND THICKNESS CAPABLE OF SUSTAINING APPLICABLE LOADS.
5. WIND LOAD DURATION FACTOR Cd=1.6 WAS USED FOR WOOD ANCHOR CALCULATIONS.
6. FRAME MATERIAL: EXTRUDED ALUMINUM 6063-T6.
7. UNITS MUST BE GLAZED PER ASTM E1300-04/09, SEE SHEET 9 FOR GLASS DETAILS.
8. APPROVED IMPACT PROTECTIVE SYSTEM IS NOT REQUIRED FOR THIS PRODUCT IN WIND BORNE DEBRIS REGIONS WHEN INSTALLED AT 30FT OR HIGHER ABOVE GROUND LEVEL.
9. FOR ANCHORING INTO WOOD FRAMING OR 2X BUCK USE 1/2" LAG SCREWS WITH SUFFICIENT LENGTH TO ACHIEVE A 2" MINIMUM EMBEDMENT INTO SUBSTRATE. LOCATE ANCHORS AS SHOWN IN ELEVATIONS AND INSTALLATION DETAILS.
10. FOR ANCHORING INTO GROUT FILLED MASONRY OR CONCRETE USE 1/2" WEDGE BOLTS WITH SUFFICIENT LENGTH TO ACHIEVE A 3 1/2" MINIMUM EMBEDMENT INTO SUBSTRATE WITH 6" MINIMUM EDGE DISTANCE. LOCATE ANCHORS AS SHOWN IN ELEVATIONS AND INSTALLATION DETAILS.
11. FOR ANCHORING INTO METAL STRUCTURE USE 1/2"-13 SMS WITH LOCKWASHER AND NUT. LOCATE ANCHORS AS SHOWN IN ELEVATIONS AND INSTALLATION DETAILS.
12. ALL FASTENERS TO BE CORROSION RESISTANT.
13. INSTALLATION ANCHORS SHALL BE INSTALLED IN ACCORDANCE WITH ANCHOR MANUFACTURER'S INSTALLATION INSTRUCTIONS AND ANCHORS SHALL NOT BE USED IN SUBSTRATES WITH STRENGTHS LESS THAN THE MINIMUM STRENGTH SPECIFIED BELOW:
 - A. WOOD: MINIMUM SPECIFIC GRAVITY OF G=0.42
 - B. CONCRETE: MINIMUM COMPRESSIVE STRENGTH OF 2,000 PSI.
 - C. MASONRY: GROUT FILLED BLOCK PER ASTM C90 WITH Fm=2,000PSI MINIMUM.
 - D. METAL STRUCTURE: STEEL 1/4" THICK MINIMUM FY=33KSI/FU=52KSI

SIGNED: 09/16/2019

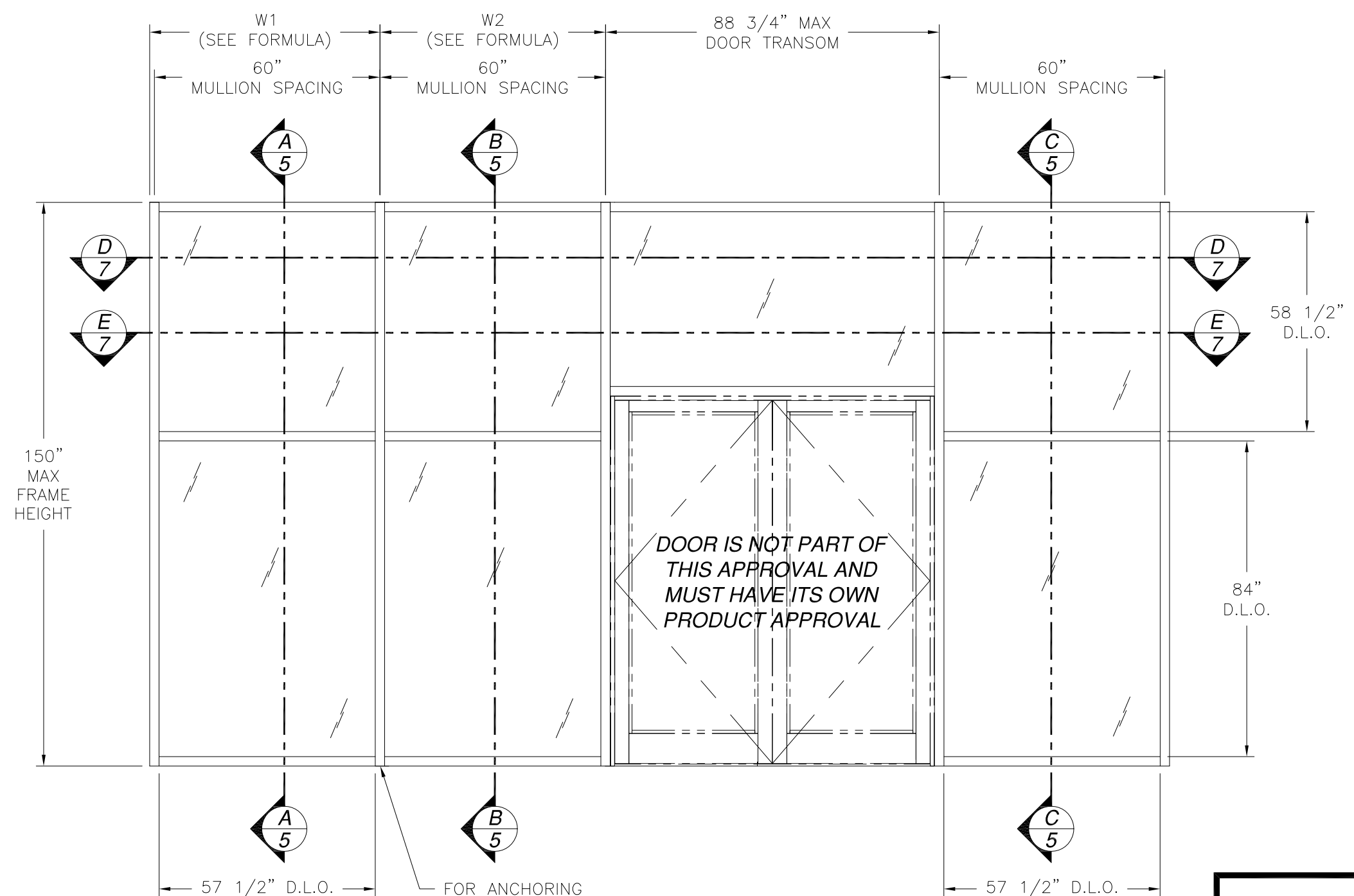
TABLE OF CONTENTS	
SHEET NO.	DESCRIPTION
1	NOTES
2 - 4	ELEVATIONS AND RATING CHARTS
5 - 8	CROSS SECTIONS
9	GLAZING DETAILS
10 - 21	INSTALLATION DETAILS
22 - 24	COMPONENTS

US ALUMINUM DIVISION OF C.R. LAURENCE CO., INC. 2503 E. VERNON AVE., LOS ANGELES, CA 90058		
STORMWALL XL HURRICANE RESISTANT CURTAIN WALL - WET GLAZED - SMI NOTES		
DRAWN: R.L.	DWG NO. 08-03025	REV -
SCALE NTS	DATE 12/07/16	SHEET 1 OF 24
L. ROBERTO LOMAS P.E. 1432 WOODFORD RD LEWISVILLE, NC 27023 434-688-0609 rllomas@rlomaspe.com		



Luis R. Lomas P.E.
TX No.: 101889

REVISIONS			
REV	DESCRIPTION	DATE	APPROVED



- PROCEDURE TO DETERMINE RATING:**
1. DETERMINE TRIBUTARY WIDTH PER FORMULA BELOW
 2. SELECT JAMB AND MULLION PROFILES TO BE USED FROM SHEET 7.
 3. REFER TO CHARTS IN SHEET 4 TO DETERMINE RATINGS FOR JAMB AND MULLION SELECTED IN STEP 2.
 4. DETERMINE THE TYPE OF ANCHOR CLIP AND SUBSTRATE WHERE PRODUCT IS TO BE INSTALLED. SEE SHEETS 10 - 17
 5. REFER TO CHARTS IN SHEETS 18 AND 19 TO DETERMINE RATING OF ANCHORING SELECTED IN STEP 4.
 6. SELECT GLASS TO BE USED, REFER TO SHEET 9
 7. REFER TO CHART #5 IN SHEET 9 TO DETERMINE RATING OF GLASS SELECTED IN STEP 6.
 8. THE MINIMUM OF ALL RATINGS WILL DETERMINE THE RATING OF THE TOTAL PRODUCT.

$$\text{TRIBUTARY WIDTH} = \frac{W1 + W2}{2}$$

STORMWALL XL HURRICANE RESISTANT CURTAIN WALL
SINGLE SPAN
 EXTERIOR VIEW
 UNLIMITED NUMBER OF PANELS ARE ALLOWED AS LONG AS INDIVIDUAL
 PANELS DO NOT EXCEED DIMENSIONS SHOWN

US ALUMINUM
 DIVISION OF C.R. LAURENCE CO., INC.
 2503 E. VERNON AVE., LOS ANGELES, CA 90058

STORMWALL XL HURRICANE RESISTANT
 CURTAIN WALL – WET GLAZED – SMI
 SINGLE SPAN ELEVATION

DRAWN: R.L.	DWG NO. 08-03025	REV -
SCALE NTS	DATE 12/07/16	SHEET 2 OF 24

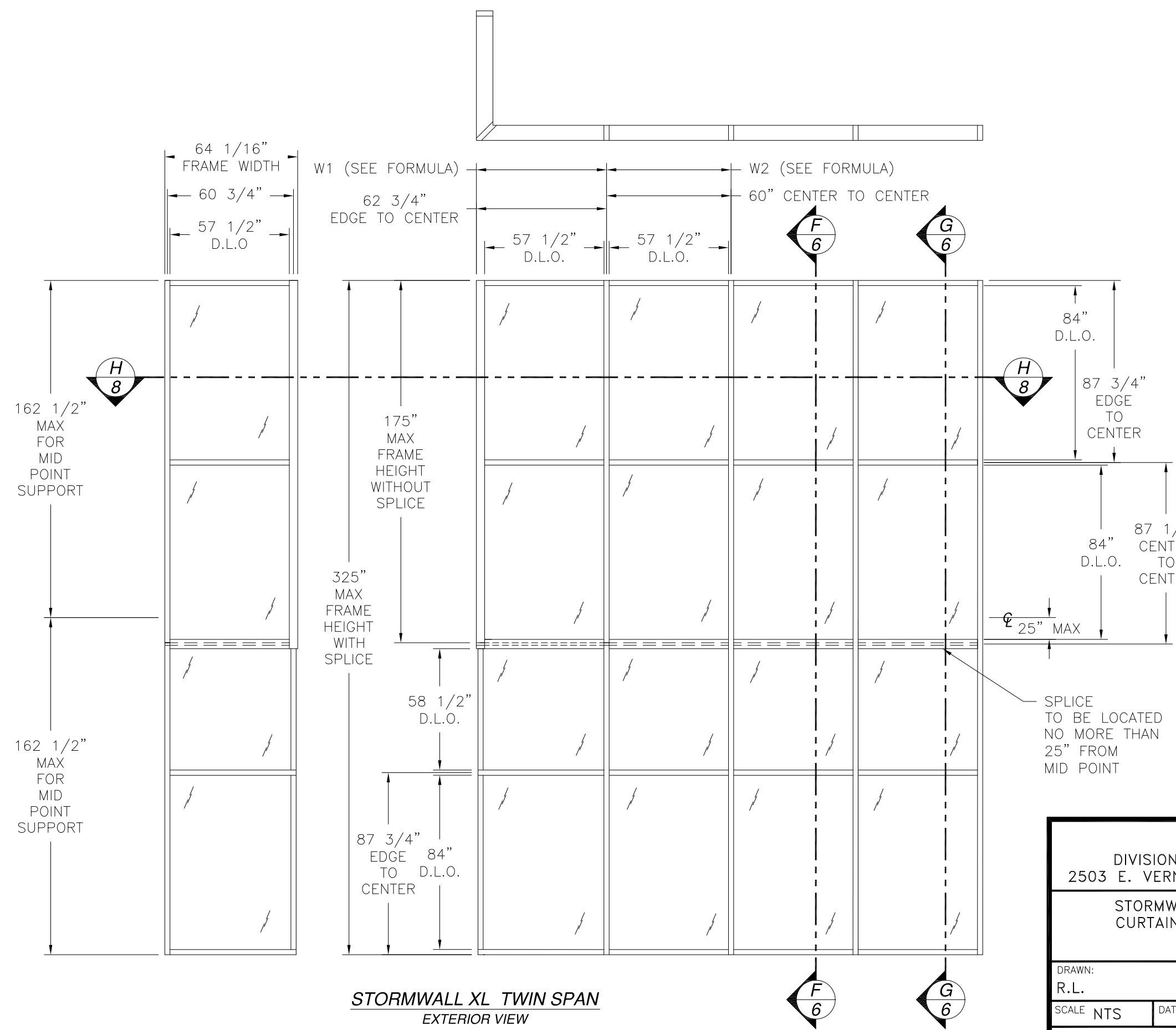
L. ROBERTO LOMAS P.E.
 1432 WOODFORD RD LEWISVILLE, NC 27023
 434-688-0609 rllomas@rlomaspe.com

SIGNED: 09/16/2019



Luis R. Lomas P.E.
 TX No.: 101889

REVISIONS			
REV	DESCRIPTION	DATE	APPROVED



- PROCEDURE TO DETERMINE RATING:**
1. DETERMINE TRIBUTARY WIDTH PER FORMULA BELOW
 2. SELECT JAMB AND MULLION PROFILES TO BE USED FROM SHEET 7.
 3. REFER TO CHARTS IN SHEET 4 TO DETERMINE RATINGS FOR JAMB AND MULLION SELECTED IN STEP 2.
 4. DETERMINE THE TYPE OF ANCHOR CLIP AND SUBSTRATE WHERE PRODUCT IS TO BE INSTALLED. SEE SHEETS 10 - 17
 5. REFER TO CHARTS IN SHEETS 18 AND 19 TO DETERMINE RATING OF ANCHORING SELECTED IN STEP 4.
 6. SELECT GLASS TO BE USED, REFER TO SHEET 9
 7. REFER TO CHART #5 IN SHEET 9 TO DETERMINE RATING OF GLASS SELECTED IN STEP 6.
 8. THE MINIMUM OF ALL RATINGS WILL DETERMINE THE RATING OF THE TOTAL PRODUCT.

$$\text{TRIBUTARY WIDTH} = \frac{W1 + W2}{2}$$

STORMWALL XL TWIN SPAN
EXTERIOR VIEW

UNLIMITED NUMBER OF PANELS ARE ALLOWED AS LONG AS INDIVIDUAL PANELS DO NOT EXCEED DIMENSIONS SHOWN

SIGNED: 09/16/2019

US ALUMINUM DIVISION OF C.R. LAURENCE CO., INC. 2503 E. VERNON AVE., LOS ANGELES, CA 90058		
STORMWALL XL HURRICANE RESISTANT CURTAIN WALL – WET GLAZED – SMI TWIN SPAN ELEVATION		
DRAWN: R.L.	DWG NO. 08-03025	REV -
SCALE NTS	DATE 12/07/16	SHEET 3 OF 24
L. ROBERTO LOMAS P.E. 1432 WOODFORD RD LEWISVILLE, NC 27023 434-688-0609 rllomas@rlomaspe.com		



Luis R. Lomas P.E.
TX No.: 101889

REVISIONS

REV	DESCRIPTION	DATE	APPROVED

Chart #1
 Design pressure for Mullion "A", "B" and "C" (psf)
 Design pressure for Jamb "B" and "C" (psf)

Frame Height (in)	Design pressures are positive and negative								
	Tributary Width (in)								
	24.0	30.0	36.0	42.0	48.0	54.0	60.0	66.0	72.0
60.0	100.0	100.0	100.0	100.0	100.0	100.0	100.0	100.0	100.0
66.0	100.0	100.0	100.0	100.0	100.0	100.0	100.0	100.0	100.0
72.0	100.0	100.0	100.0	100.0	100.0	100.0	100.0	100.0	100.0
78.0	100.0	100.0	100.0	100.0	100.0	100.0	100.0	100.0	100.0
84.0	100.0	100.0	100.0	100.0	100.0	100.0	100.0	100.0	100.0
90.0	100.0	100.0	100.0	100.0	100.0	100.0	100.0	100.0	100.0
96.0	100.0	100.0	100.0	100.0	100.0	100.0	100.0	100.0	100.0
102.0	100.0	100.0	100.0	100.0	100.0	100.0	100.0	100.0	100.0
108.0	100.0	100.0	100.0	100.0	100.0	100.0	100.0	100.0	100.0
114.0	100.0	100.0	100.0	100.0	100.0	100.0	100.0	100.0	100.0
120.0	100.0	100.0	100.0	100.0	100.0	100.0	100.0	100.0	100.0
126.0	100.0	100.0	100.0	100.0	100.0	100.0	100.0	100.0	99.2
132.0	100.0	100.0	100.0	100.0	100.0	100.0	100.0	100.0	94.7
138.0	100.0	100.0	100.0	100.0	100.0	100.0	100.0	98.8	90.6
144.0	100.0	100.0	100.0	100.0	100.0	100.0	100.0	94.7	86.8
150.0	100.0	100.0	100.0	100.0	100.0	100.0	100.0	90.9	83.3

SMALL MISSILE IMPACT AND HVHZ

Chart #2
 Design pressure for Mullion "D" (psf)
 Design pressure for Jamb "A" (psf)

Frame Height (in)	Design pressures are positive and negative								
	Tributary Width (in)								
	24.0	30.0	36.0	42.0	48.0	54.0	60.0	66.0	72.0
60.0	65.0	65.0	65.0	65.0	65.0	65.0	65.0	65.0	65.0
66.0	65.0	65.0	65.0	65.0	65.0	65.0	65.0	65.0	65.0
72.0	65.0	65.0	65.0	65.0	65.0	65.0	65.0	65.0	60.2
78.0	65.0	65.0	65.0	65.0	65.0	65.0	65.0	60.6	55.6
84.0	65.0	65.0	65.0	65.0	65.0	65.0	61.9	56.3	51.6
90.0	65.0	65.0	65.0	65.0	65.0	64.2	57.8	52.5	48.2
96.0	65.0	65.0	65.0	65.0	65.0	60.2	54.2	49.3	45.1
102.0	65.0	65.0	65.0	65.0	63.7	56.7	51.0	46.4	42.5
108.0	65.0	65.0	65.0	65.0	57.4	51.1	46.0	41.8	38.3
114.0	65.0	65.0	65.0	55.8	48.8	43.4	39.1	35.5	32.6
120.0	65.0	65.0	55.8	47.9	41.9	37.2	33.5	30.5	27.9

SMALL MISSILE IMPACT AND HVHZ

Chart #3
 Design pressure for Mullion "A", "B" and "G" (psf)
 Design pressure for Jamb "C" and Corner (psf)

Frame Height (in)	Design pressures are positive and negative								
	Tributary Width (in)								
	24.0	30.0	36.0	42.0	48.0	54.0	60.0	66.0	72.0
60.0	100.0	100.0	100.0	100.0	100.0	100.0	100.0	100.0	100.0
66.0	100.0	100.0	100.0	100.0	100.0	100.0	100.0	100.0	100.0
72.0	100.0	100.0	100.0	100.0	100.0	100.0	100.0	100.0	100.0
78.0	100.0	100.0	100.0	100.0	100.0	100.0	100.0	100.0	100.0
84.0	100.0	100.0	100.0	100.0	100.0	100.0	100.0	100.0	100.0
90.0	100.0	100.0	100.0	100.0	100.0	100.0	100.0	100.0	100.0
96.0	100.0	100.0	100.0	100.0	100.0	100.0	100.0	100.0	100.0
102.0	100.0	100.0	100.0	100.0	100.0	100.0	100.0	100.0	100.0
108.0	100.0	100.0	100.0	100.0	100.0	100.0	100.0	100.0	100.0
114.0	100.0	100.0	100.0	100.0	100.0	100.0	100.0	100.0	100.0
120.0	100.0	100.0	100.0	100.0	100.0	100.0	100.0	100.0	100.0
126.0	100.0	100.0	100.0	100.0	100.0	100.0	100.0	100.0	100.0
132.0	100.0	100.0	100.0	100.0	100.0	100.0	100.0	100.0	100.0
138.0	100.0	100.0	100.0	100.0	100.0	100.0	100.0	100.0	100.0
144.0	100.0	100.0	100.0	100.0	100.0	100.0	100.0	100.0	100.0
150.0	100.0	100.0	100.0	100.0	100.0	100.0	100.0	100.0	97.2
156.0	100.0	100.0	100.0	100.0	100.0	100.0	100.0	100.0	93.5
162.0	100.0	100.0	100.0	100.0	100.0	100.0	100.0	98.2	90.0
168.0	100.0	100.0	100.0	100.0	100.0	100.0	100.0	94.7	86.8
174.0	100.0	100.0	100.0	100.0	100.0	100.0	100.0	91.4	83.8
175.0	100.0	100.0	100.0	100.0	100.0	100.0	100.0	90.9	83.3

SMALL MISSILE IMPACT AND HVHZ
 FULL LENGTH WITHOUT SPLICE

Chart #4
 Design pressure for Mullion "A", "B" and "G" with splice (psf)
 Design pressure for Jamb "C" and Corner with splice (psf)

Frame Height (in)	Design pressures are positive and negative								
	Tributary Width (in)								
	24.0	30.0	36.0	42.0	48.0	54.0	60.0	66.0	72.0
210.0	100.0	100.0	100.0	100.0	100.0	100.0	100.0	100.0	100.0
216.0	100.0	100.0	100.0	100.0	100.0	100.0	100.0	100.0	100.0
222.0	100.0	100.0	100.0	100.0	100.0	100.0	100.0	100.0	100.0
228.0	100.0	100.0	100.0	100.0	100.0	100.0	100.0	100.0	100.0
234.0	100.0	100.0	100.0	100.0	100.0	100.0	100.0	100.0	100.0
240.0	100.0	100.0	100.0	100.0	100.0	100.0	100.0	100.0	100.0
246.0	100.0	100.0	100.0	100.0	100.0	100.0	100.0	100.0	100.0
252.0	100.0	100.0	100.0	100.0	100.0	100.0	100.0	100.0	100.0
258.0	100.0	100.0	100.0	100.0	100.0	100.0	100.0	100.0	100.0
264.0	100.0	100.0	100.0	100.0	100.0	100.0	100.0	100.0	100.0
270.0	100.0	100.0	100.0	100.0	100.0	100.0	100.0	100.0	100.0
276.0	100.0	100.0	100.0	100.0	100.0	100.0	100.0	100.0	98.1
282.0	100.0	100.0	100.0	100.0	100.0	100.0	100.0	100.0	96.0
288.0	100.0	100.0	100.0	100.0	100.0	100.0	100.0	100.0	94.0
294.0	100.0	100.0	100.0	100.0	100.0	100.0	100.0	100.0	92.1
300.0	100.0	100.0	100.0	100.0	100.0	100.0	100.0	98.5	90.3
306.0	100.0	100.0	100.0	100.0	100.0	100.0	100.0	96.6	88.5
312.0	100.0	100.0	100.0	100.0	100.0	100.0	100.0	94.7	86.8
318.0	100.0	100.0	100.0	100.0	100.0	100.0	100.0	92.9	85.2
324.0	100.0	100.0	100.0	100.0	100.0	100.0	100.0	91.2	83.6
325.0	100.0	100.0	100.0	100.0	100.0	100.0	100.0	90.9	83.3

SMALL MISSILE IMPACT AND HVHZ
 FULL LENGTH WITH SUPPORT AT MIDDLE POINT AND SPLICE
 DISTANCE BETWEEN SPLICE AND MID POINT MUST NOT EXCEED 25"

SIGNED: 09/16/2019

US ALUMINUM
 DIVISION OF C.R. LAURENCE CO., INC.
 2503 E. VERNON AVE., LOS ANGELES, CA 90058

STORMWALL XL HURRICANE RESISTANT
 CURTAIN WALL – WET GLAZED – SMI
 MULLION AND JAMB CHARTS

DRAWN: R.L.	DWG NO. 08-03025	REV -
SCALE NTS	DATE 12/07/16	SHEET 4 OF 24

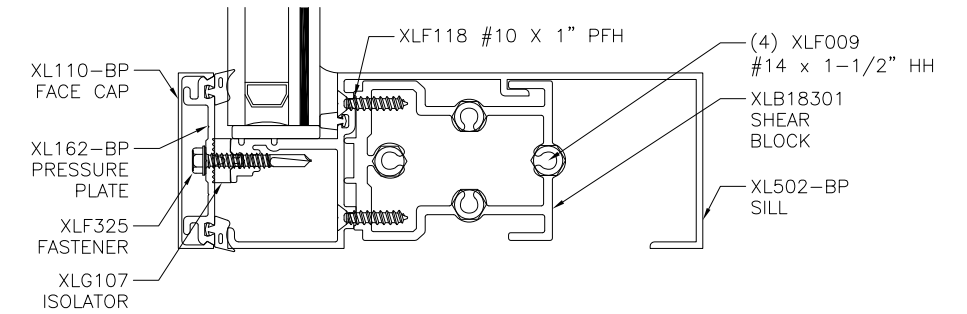
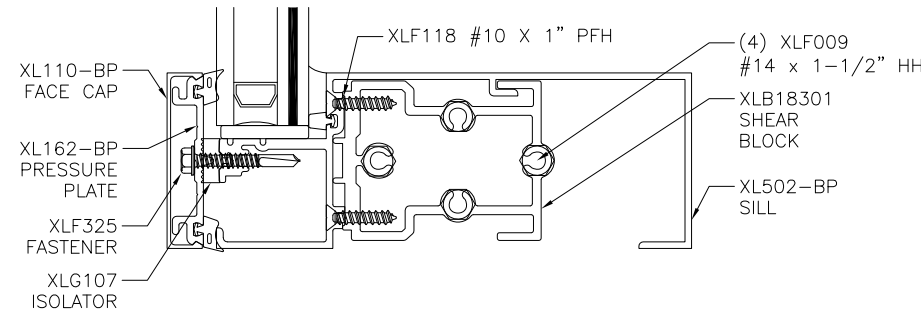
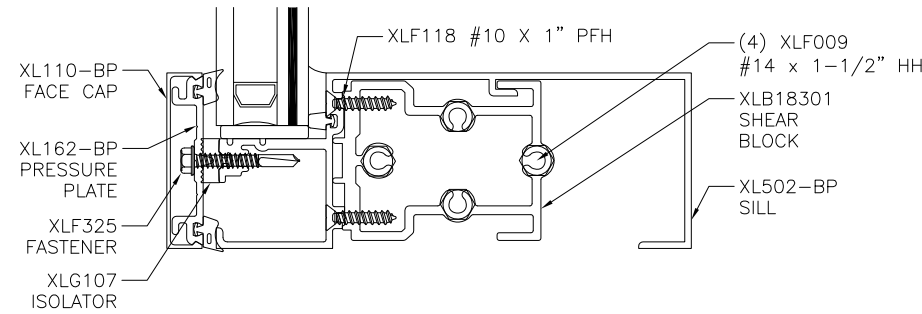
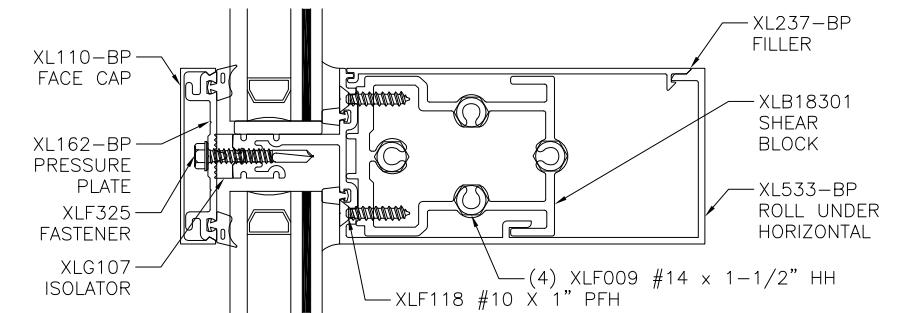
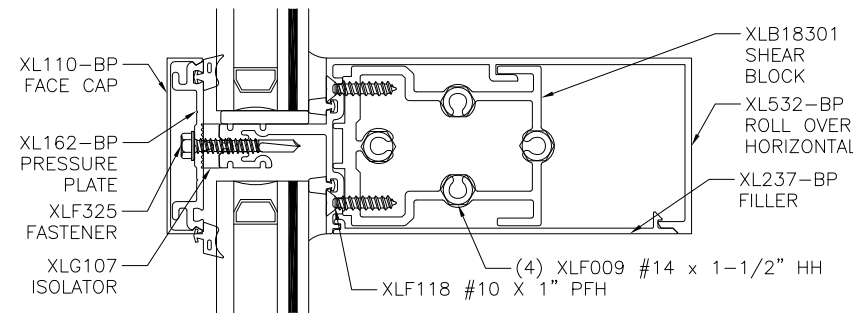
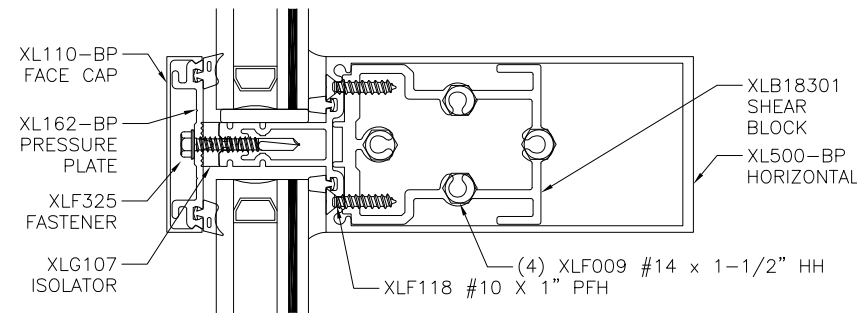
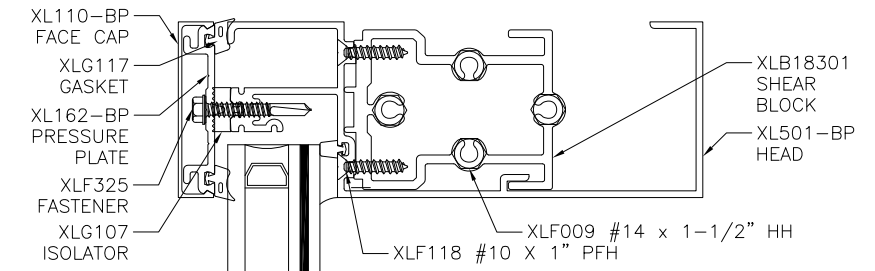
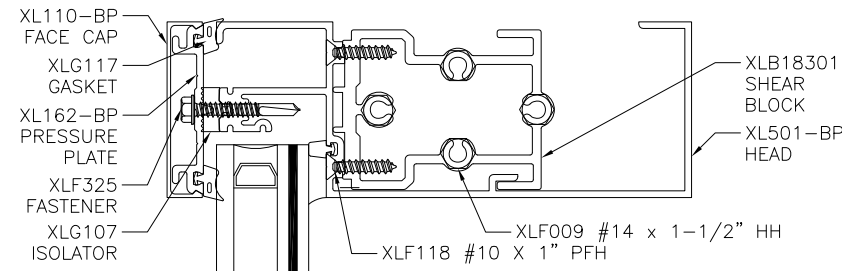
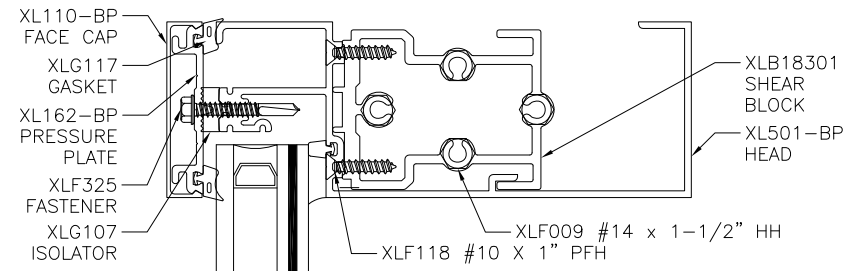
L. ROBERTO LOMAS P.E.
 1432 WOODFORD RD LEWISVILLE, NC 27023
 434-688-0609 rllomas@rlomaspe.com



Luis R. Lomas P.E.
 TX No.: 101889

FOR ILLUSTRATION PURPOSES ONLY
FOR INSTALLATION DETAILS SEE SHEETS 10 - 17

REVISIONS			
REV	DESCRIPTION	DATE	APPROVED



A
5 VERTICAL CROSS SECTION

B
5 VERTICAL CROSS SECTION

C
5 VERTICAL CROSS SECTION

SIGNED: 09/16/2019

US ALUMINUM
 DIVISION OF C.R. LAURENCE CO., INC.
 2503 E. VERNON AVE., LOS ANGELES, CA 90058

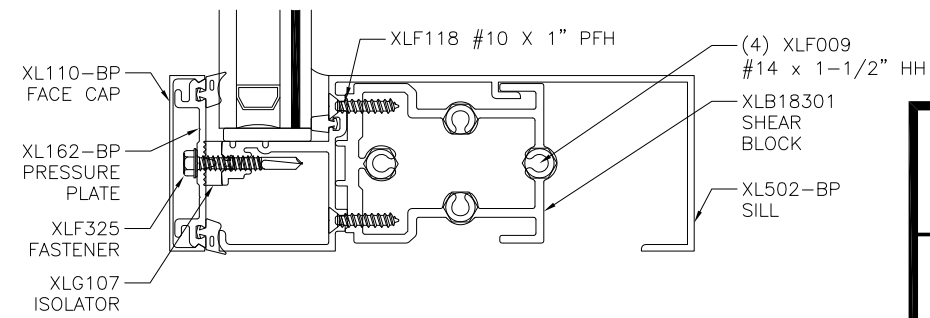
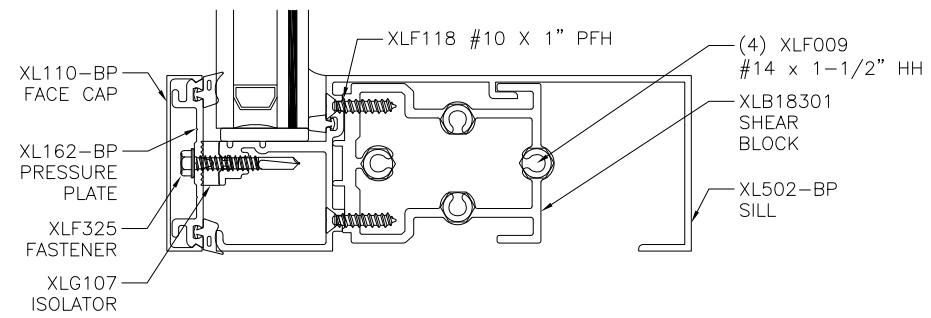
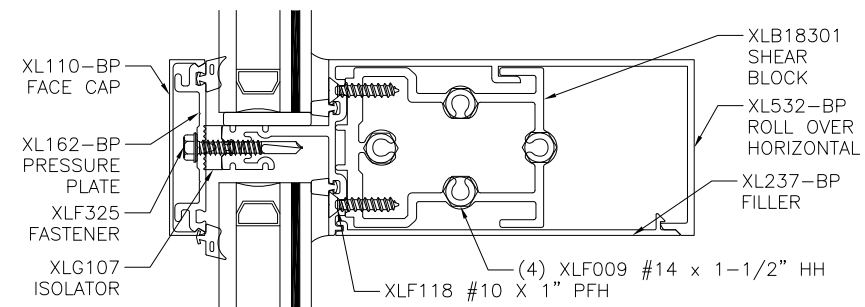
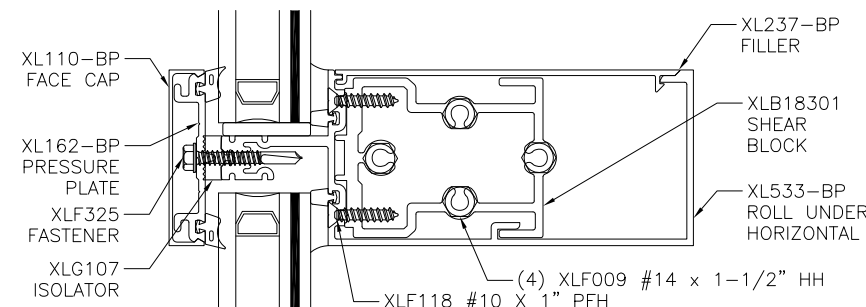
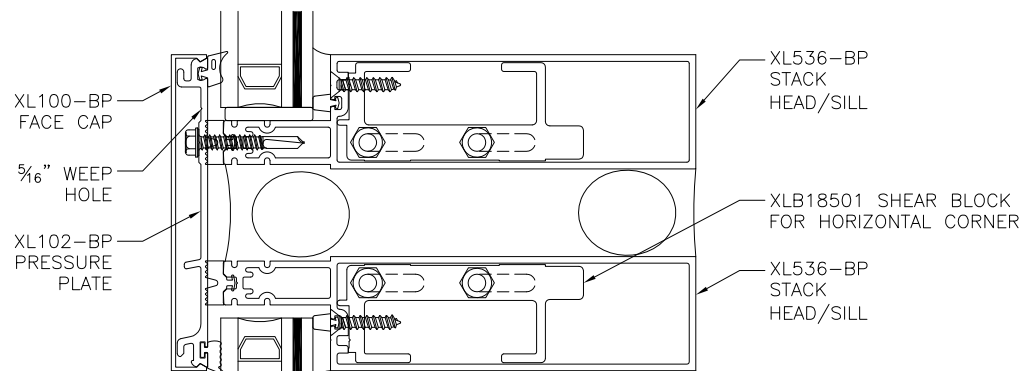
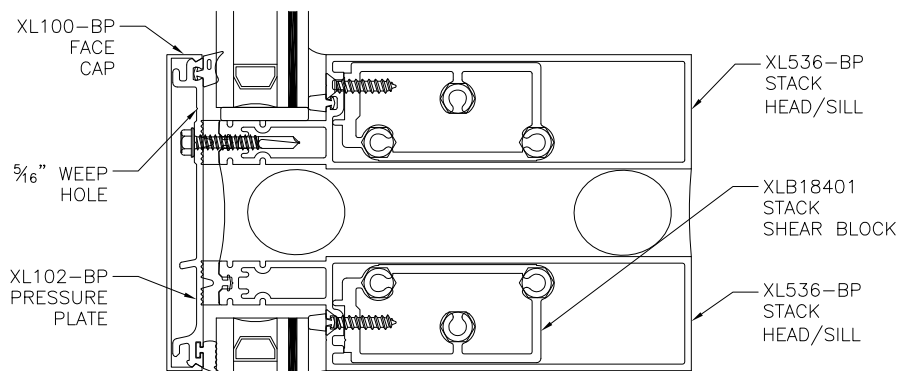
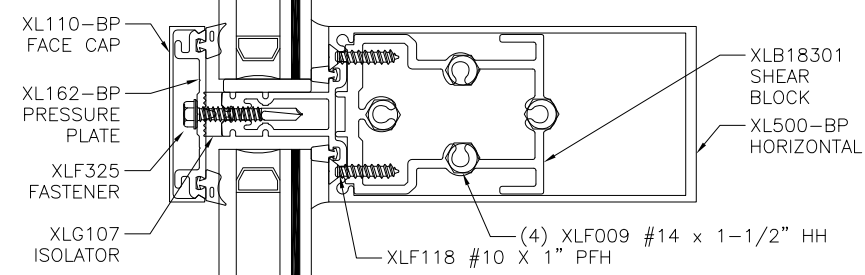
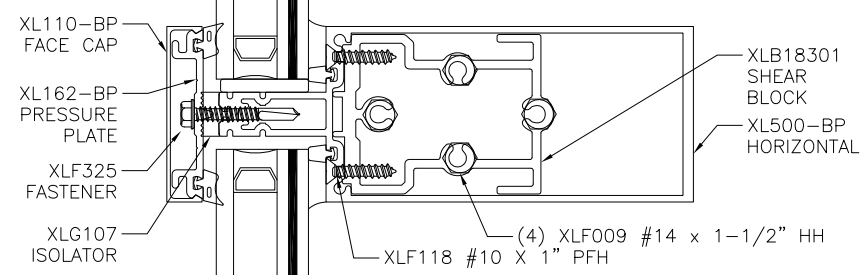
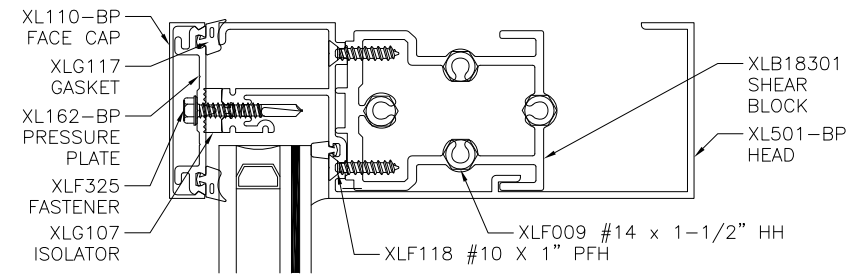
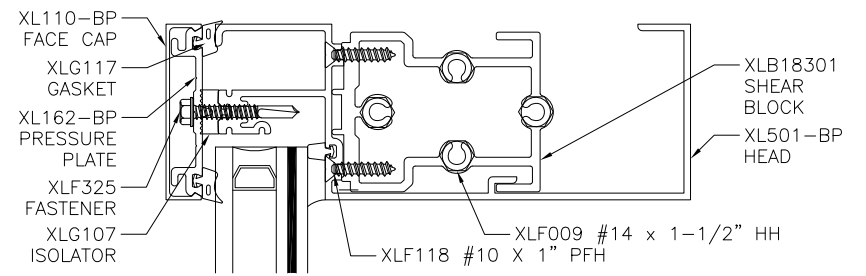
STORMWALL XL HURRICANE RESISTANT
 CURTAIN WALL - WET GLAZED - SMI
 VERTICAL CROSS SECTIONS

DRAWN: R.L.	DWG NO. 08-03025	REV -
SCALE NTS	DATE 12/07/16	SHEET 5 OF 24

L. ROBERTO LOMAS P.E.
 1432 WOODFORD RD LEWISVILLE, NC 27023
 434-688-0609 rllomas@rlomaspe.com



Luis R. Lomas P.E.
 TX No.: 101889



F
6 VERTICAL CROSS SECTION

G
6 VERTICAL CROSS SECTION

**FOR ILLUSTRATION PURPOSES ONLY
 FOR INSTALLATION DETAILS SEE SHEETS 10 - 17**

REVISIONS			
REV	DESCRIPTION	DATE	APPROVED

US ALUMINUM
 DIVISION OF C.R. LAURENCE CO., INC.
 2503 E. VERNON AVE., LOS ANGELES, CA 90058

**STORMWALL XL HURRICANE RESISTANT
 CURTAIN WALL - WET GLAZED - SMI
 VERTICAL CROSS SECTIONS**

DRAWN: R.L.	DWG NO. 08-03025	REV -
SCALE NTS	DATE 12/07/16	SHEET 6 OF 24

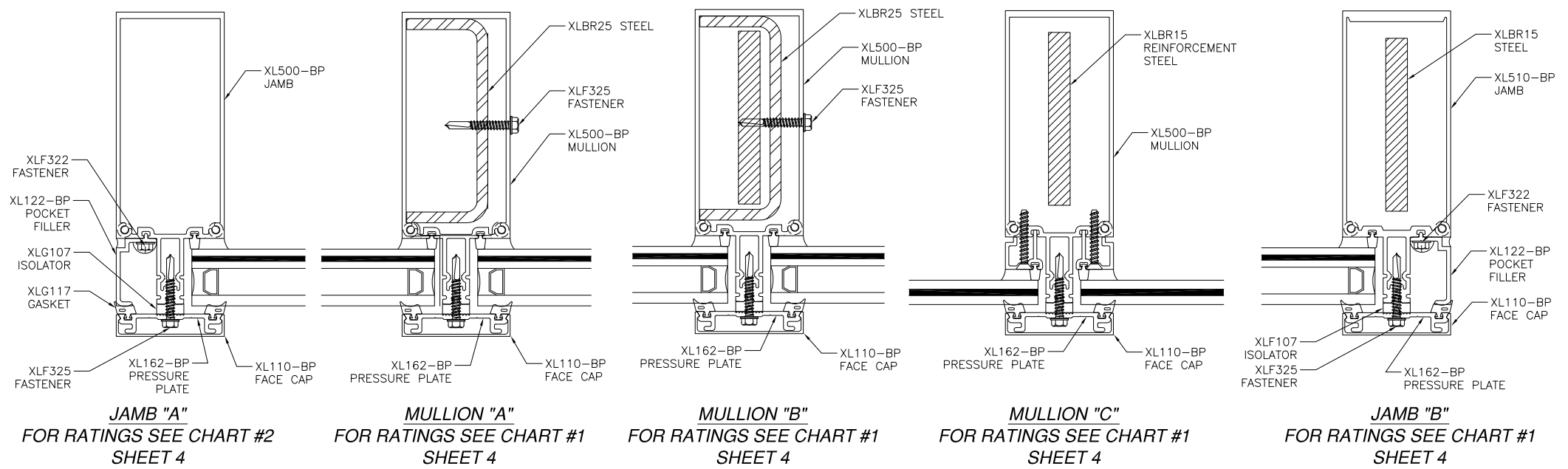
L. ROBERTO LOMAS P.E.
 1432 WOODFORD RD LEWISVILLE, NC 27023
 434-688-0609 rllomas@rlomaspe.com

SIGNED: 09/16/2019

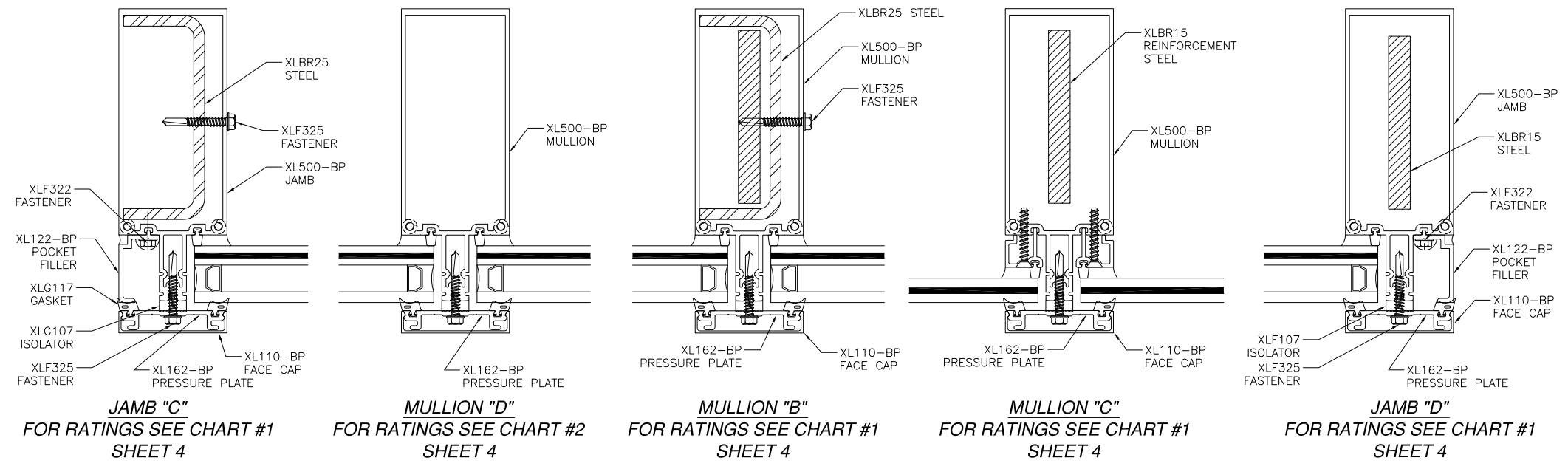


Luis R. Lomas P.E.
 TX No.: 101889

REVISIONS			
REV	DESCRIPTION	DATE	APPROVED



D
7 **HORIZONTAL CROSS SECTION**



E
7 **HORIZONTAL CROSS SECTION**

FOR ILLUSTRATION PURPOSES ONLY
FOR INSTALLATION DETAILS SEE SHEETS 10 - 17

US ALUMINUM
DIVISION OF C.R. LAURENCE CO., INC.
2503 E. VERNON AVE., LOS ANGELES, CA 90058

STORMWALL XL HURRICANE RESISTANT
CURTAIN WALL - WET GLAZED - SMI
HORIZONTAL CROSS SECTIONS

DRAWN: R.L.	DWG NO. 08-03025	REV -
SCALE NTS	DATE 12/07/16	SHEET 7 OF 24

L. ROBERTO LOMAS P.E.
1432 WOODFORD RD LEWISVILLE, NC 27023
434-688-0609 rllomas@rlomaspe.com

SIGNED: 09/16/2019

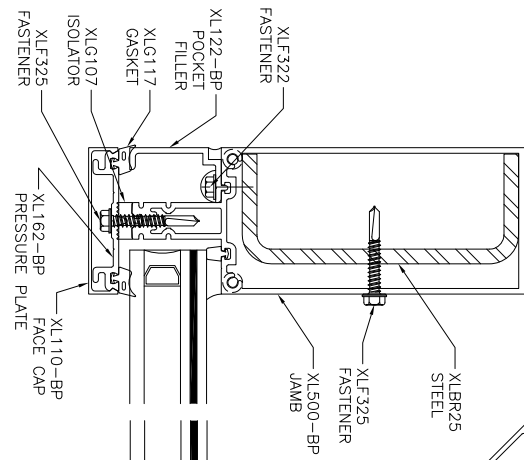


Luis R. Lomas P.E.
TX No.: 101889

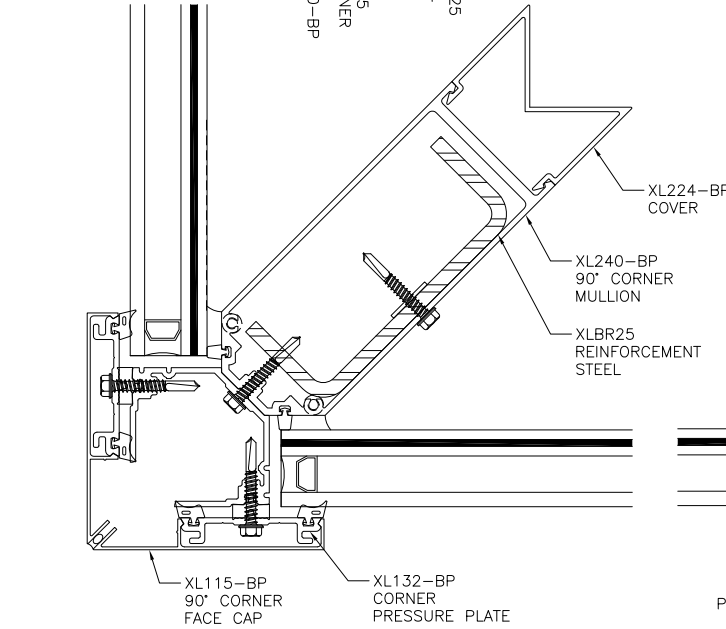
REVISIONS			
REV	DESCRIPTION	DATE	APPROVED

FOR ILLUSTRATION PURPOSES ONLY
FOR INSTALLATION DETAILS SEE SHEETS 10 - 17

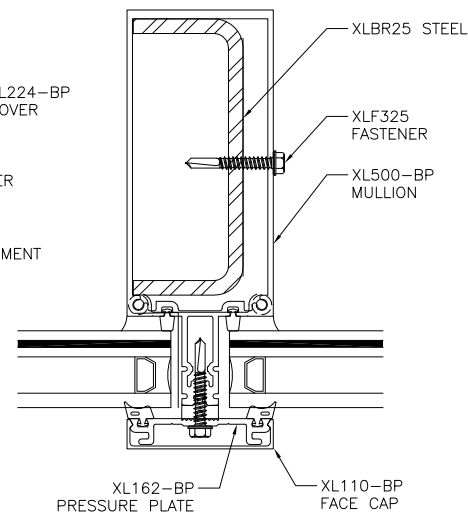
JAMB "C"
 FOR RATINGS
 SEE
 CHARTS #5 & #6
 SHEET 4



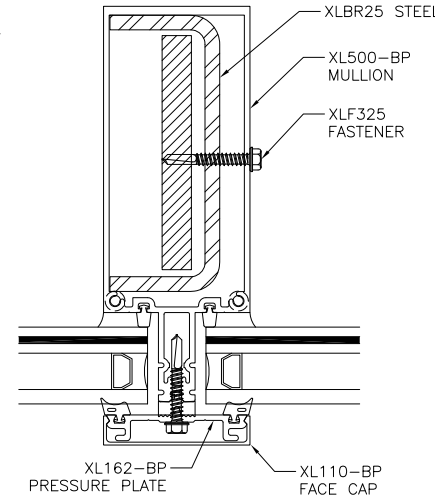
CORNER MULLION
 FOR RATINGS SEE CHARTS #3 & #4



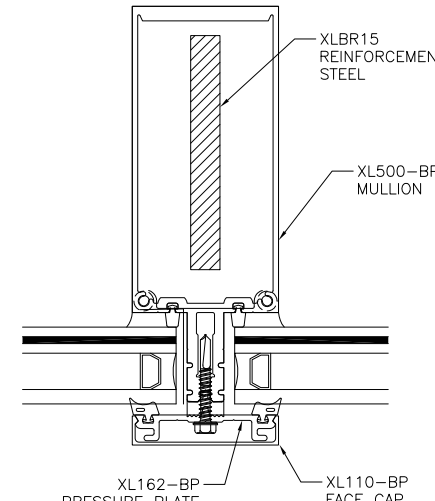
MULLION "A"
 FOR RATINGS SEE CHARTS #3 & #4



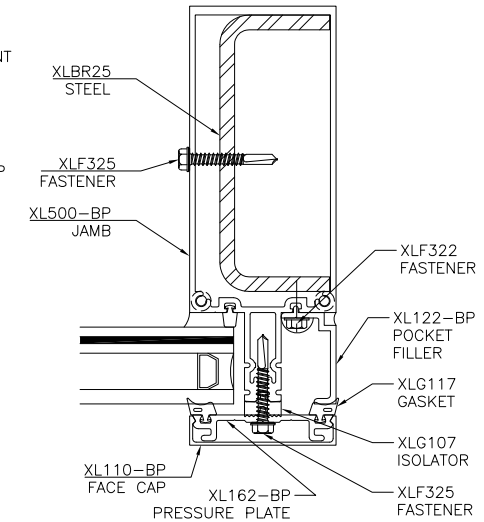
MULLION "B"
 FOR RATINGS SEE CHARTS #3 & #4



MULLION "G"
 FOR RATINGS SEE CHARTS #3 & #4



JAMB "C"
 FOR RATINGS SEE CHARTS #3 & #4



H
8 HORIZONTAL CROSS SECTION

SIGNED: 09/16/2019

US ALUMINUM
 DIVISION OF C.R. LAURENCE CO., INC.
 2503 E. VERNON AVE., LOS ANGELES, CA 90058

STORMWALL XL HURRICANE RESISTANT
 CURTAIN WALL - WET GLAZED - SMI
 HORIZONTAL CROSS SECTIONS

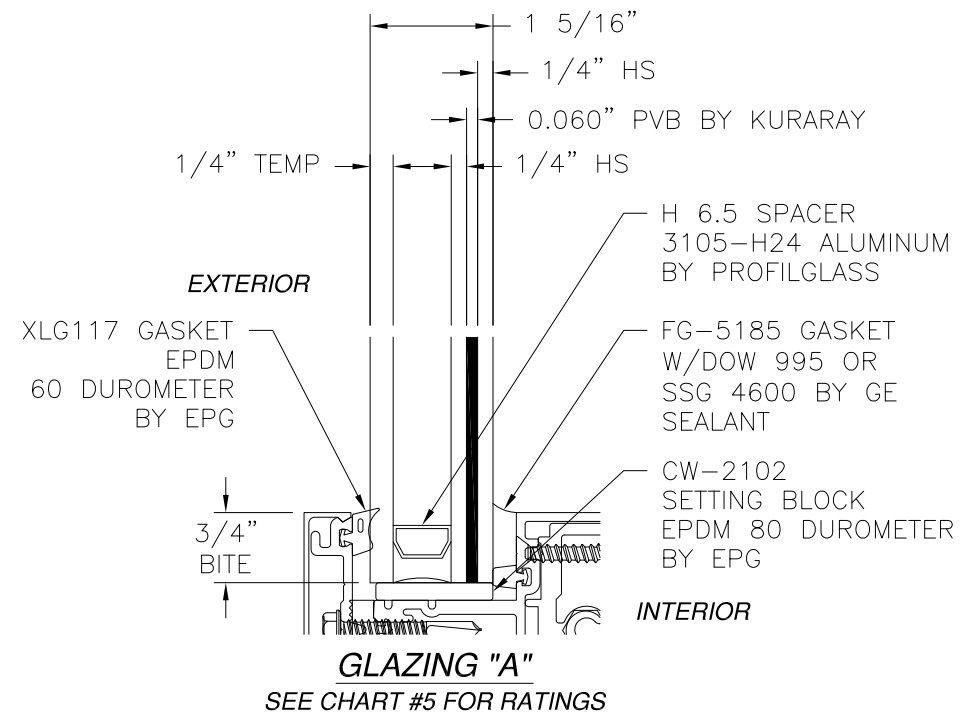
DRAWN: R.L.	DWG NO. 08-03025	REV -
SCALE NTS	DATE 12/07/16	SHEET 8 OF 24

L. ROBERTO LOMAS P.E.
 1432 WOODFORD RD LEWISVILLE, NC 27023
 434-688-0609 rllomas@rlomaspe.com



Luis R. Lomas P.E.
 TX No.: 101889

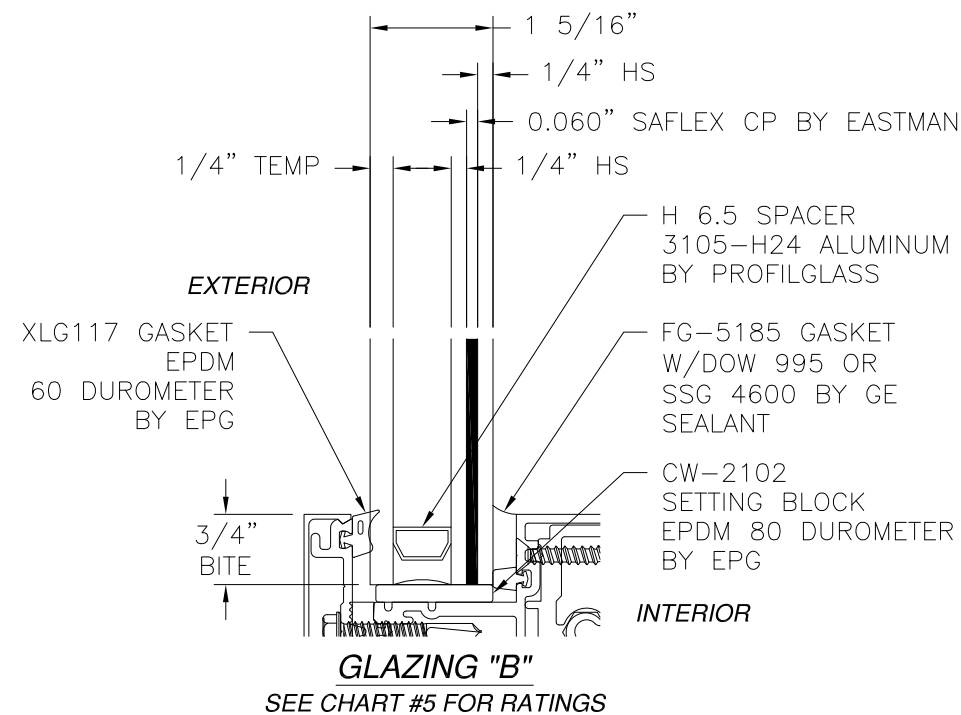
REVISIONS			
REV	DESCRIPTION	DATE	APPROVED



WITH GLASS "A" AND "B"

DESIGN PRESSURE RATING	IMPACT RATING
±100.0PSF	SMALL MISSILE IMPACT

MISSILE LEVEL A, WIND ZONE 4
MAXIMUM D.L.O.: 57 1/2" X 84"



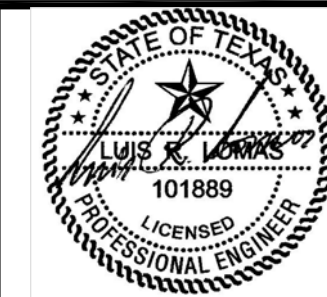
SIGNED: 09/16/2019

US ALUMINUM
DIVISION OF C.R. LAURENCE CO., INC.
2503 E. VERNON AVE., LOS ANGELES, CA 90058

STORMWALL XL HURRICANE RESISTANT
CURTAIN WALL - WET GLAZED - SMI
GLAZING DETAILS

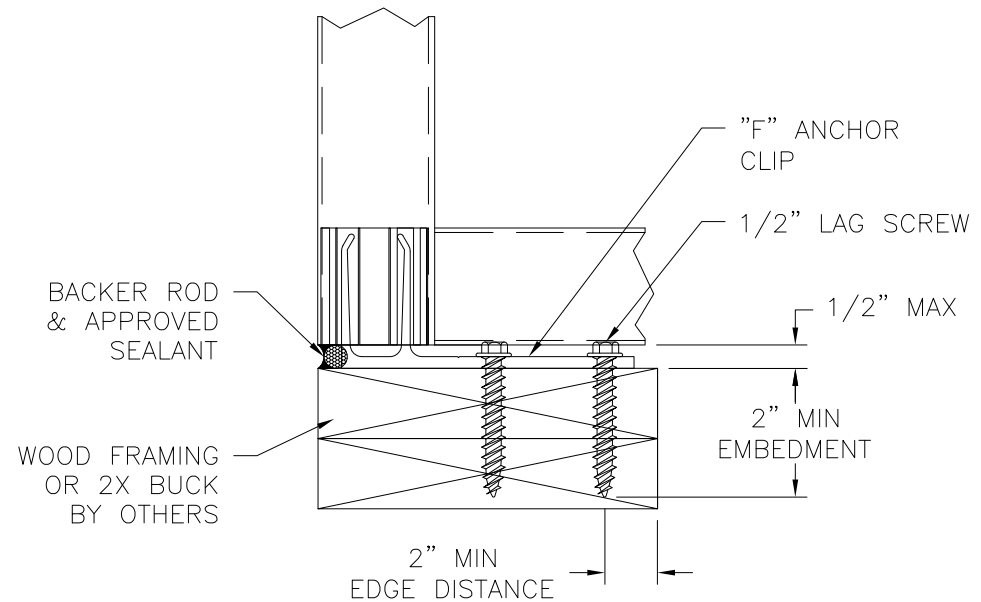
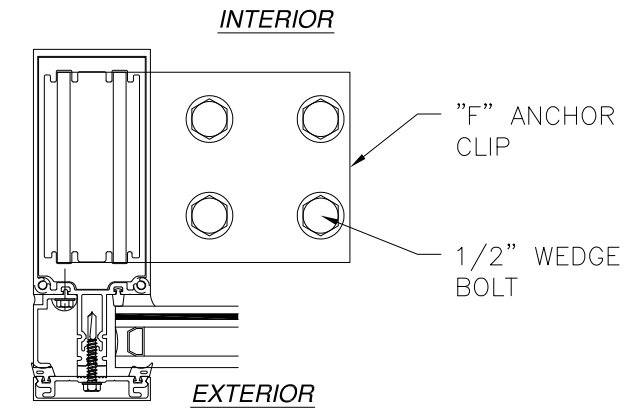
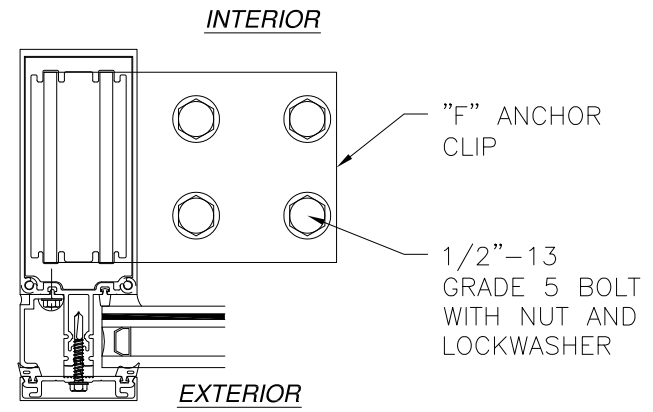
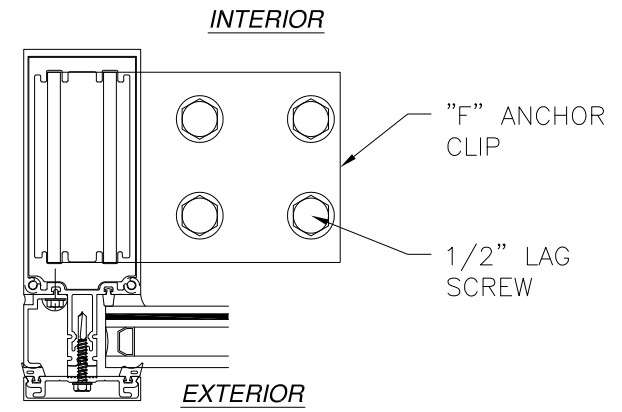
DRAWN: R.L.	DWG NO. 08-03025	REV -
SCALE NTS	DATE 12/07/16	SHEET 9 OF 24

L. ROBERTO LOMAS P.E.
1432 WOODFORD RD LEWISVILLE, NC 27023
434-688-0609 rllomas@rlomaspe.com

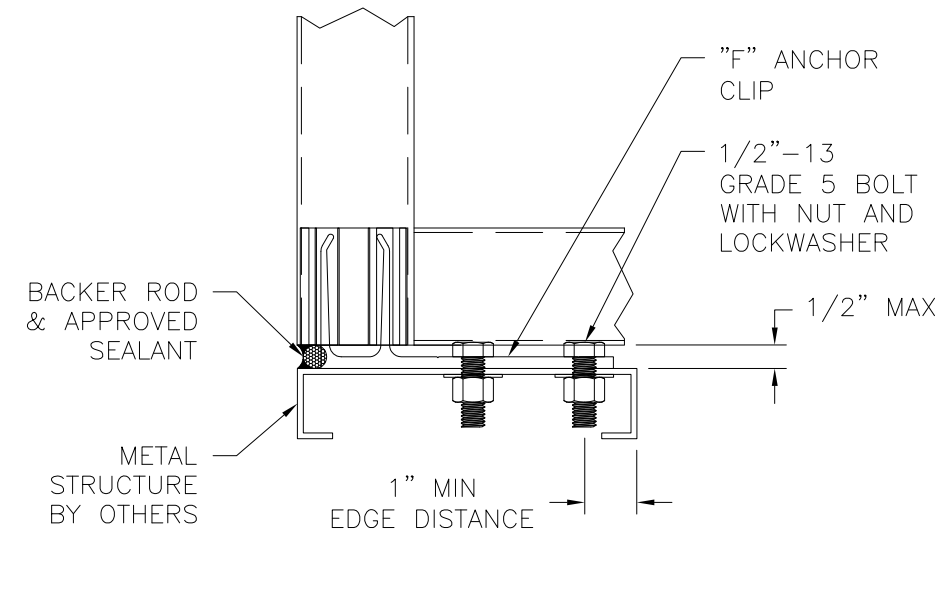


Luis R. Lomas P.E.
TX No.: 101889

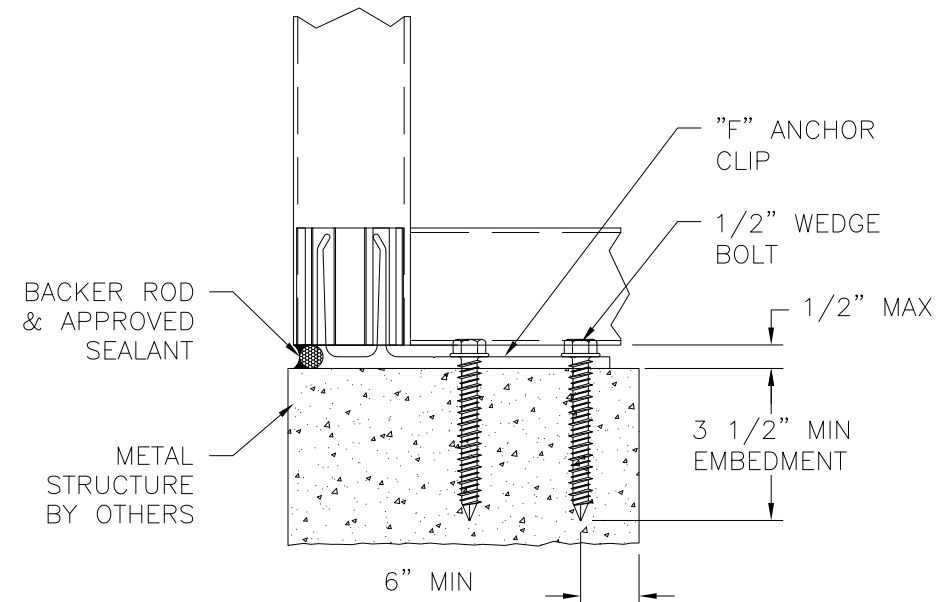
REVISIONS			
REV	DESCRIPTION	DATE	APPROVED



JAMB INSTALLATION DETAIL WITH "F" ANCHOR CLIP
WOOD FRAMING OR 2X BUCK INSTALLATION
 SILL SHOWN, HEAD SIMILAR
 SEE CHART #7 FOR RATINGS



JAMB INSTALLATION DETAIL WITH "F" ANCHOR CLIP
METAL STRUCTURE INSTALLATION
 SILL SHOWN, HEAD SIMILAR
 SEE CHART #8 FOR RATINGS



JAMB INSTALLATION DETAIL WITH "F" ANCHOR CLIP
CONCRETE INSTALLATION
 SILL SHOWN, HEAD SIMILAR
 SEE CHART #9 FOR RATINGS

- NOTES:
1. INTERIOR AND EXTERIOR FINISHES, BY OTHERS, NOT SHOWN FOR CLARITY.
 2. PERIMETER AND JOINT SEALANT BY OTHERS TO BE DESIGNED IN ACCORDANCE WITH ASTM E2112

SIGNED: 09/16/2019

US ALUMINUM
 DIVISION OF C.R. LAURENCE CO., INC.
 2503 E. VERNON AVE., LOS ANGELES, CA 90058

STORMWALL XL HURRICANE RESISTANT CURTAIN WALL – WET GLAZED – SMI INSTALLATION DETAILS

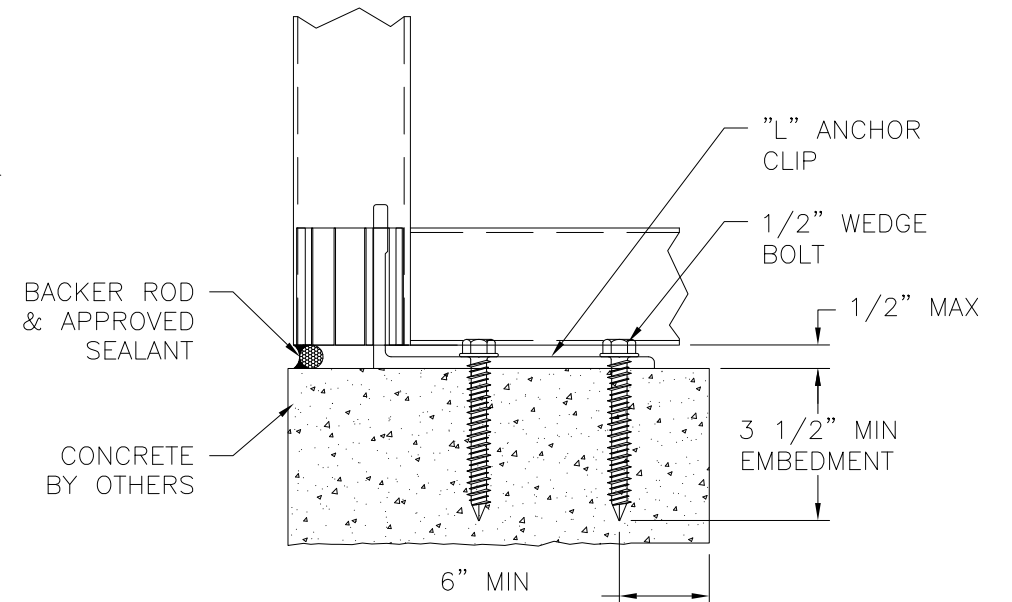
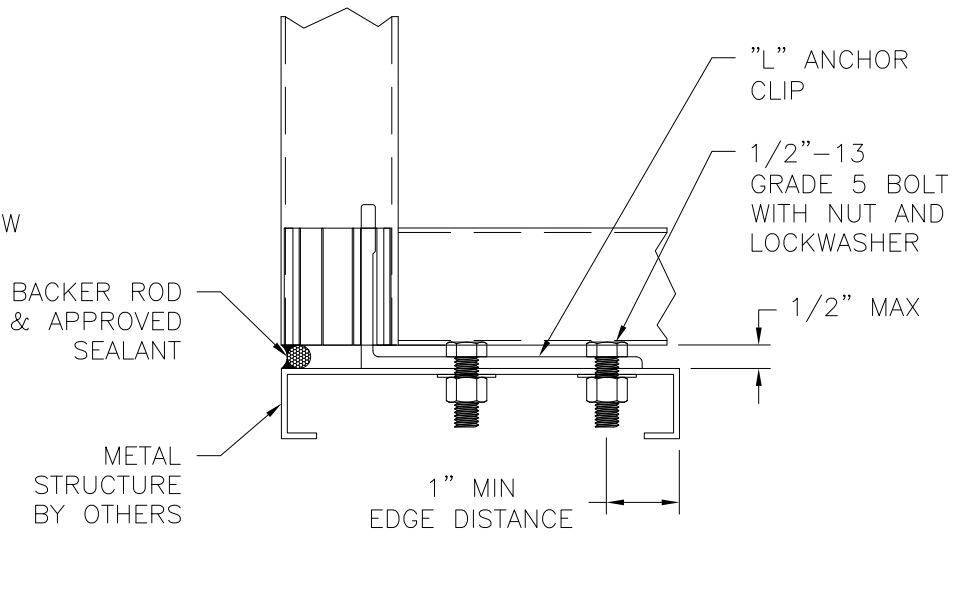
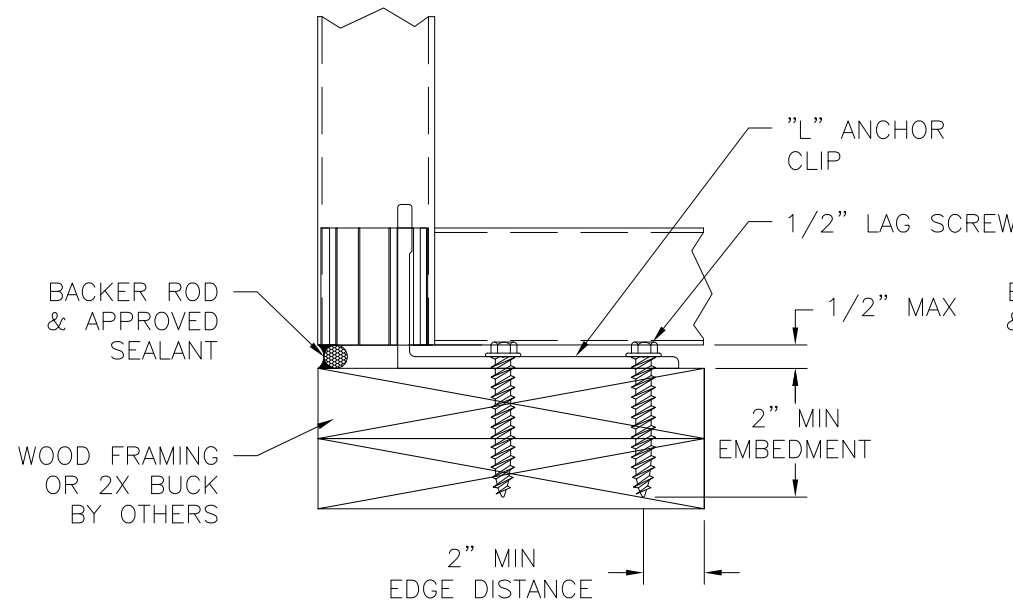
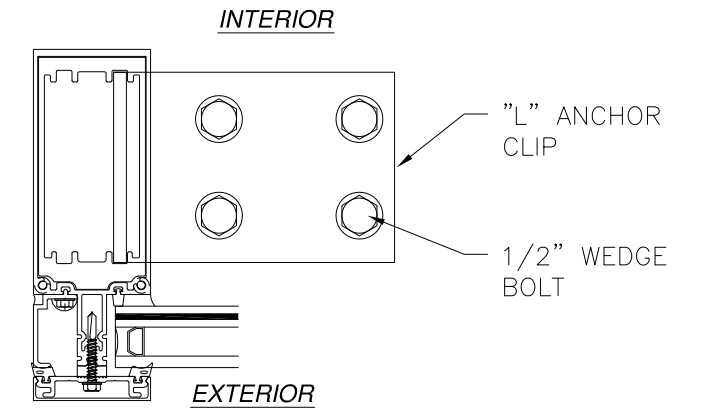
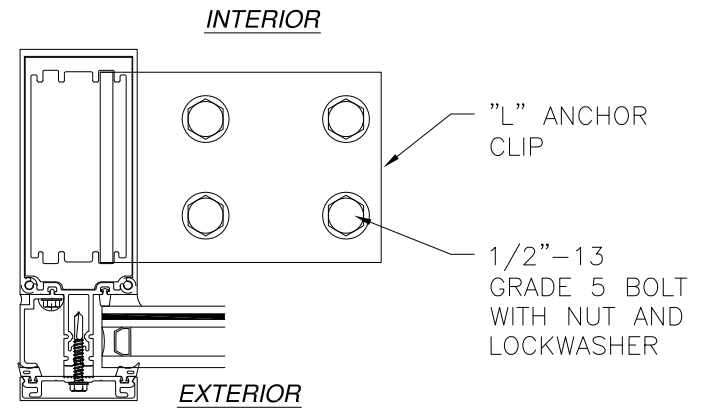
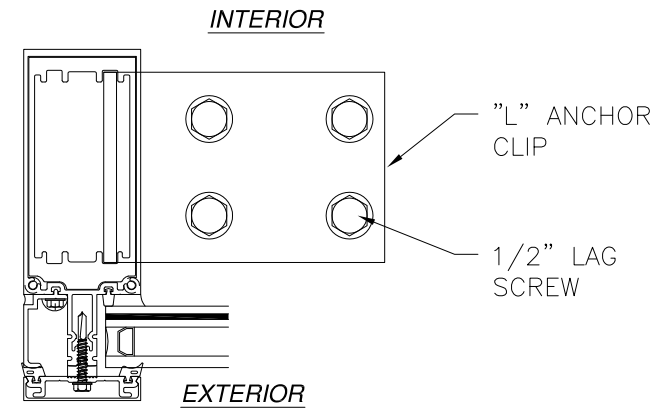
DRAWN: R.L.	DWG NO. 08-03025	REV -
SCALE NTS	DATE 12/07/16	SHEET 10 OF 24

L. ROBERTO LOMAS P.E.
 1432 WOODFORD RD LEWISVILLE, NC 27023
 434-688-0609 rllomas@rlomaspe.com



Luis R. Lomas P.E.
 TX No.: 101889

REVISIONS			
REV	DESCRIPTION	DATE	APPROVED



**JAMB INSTALLATION DETAIL
WITH "L" ANCHOR CLIP
WOOD FRAMING OR 2X BUCK INSTALLATION
SILL SHOWN, HEAD SIMILAR
SEE CHART #7 FOR RATINGS**

**JAMB INSTALLATION DETAIL
WITH "L" ANCHOR CLIP
METAL STRUCTURE INSTALLATION
SILL SHOWN, HEAD SIMILAR
SEE CHART #8 FOR RATINGS**

**JAMB INSTALLATION DETAIL
WITH "L" ANCHOR CLIP
CONCRETE INSTALLATION
SILL SHOWN, HEAD SIMILAR
SEE CHART #9 FOR RATINGS**

- NOTES:**
1. INTERIOR AND EXTERIOR FINISHES, BY OTHERS, NOT SHOWN FOR CLARITY.
 2. PERIMETER AND JOINT SEALANT BY OTHERS TO BE DESIGNED IN ACCORDANCE WITH ASTM E2112

SIGNED: 09/16/2019

US ALUMINUM
DIVISION OF C.R. LAURENCE CO., INC.
2503 E. VERNON AVE., LOS ANGELES, CA 90058

STORMWALL XL HURRICANE RESISTANT
CURTAIN WALL – WET GLAZED – SMI
INSTALLATION DETAILS

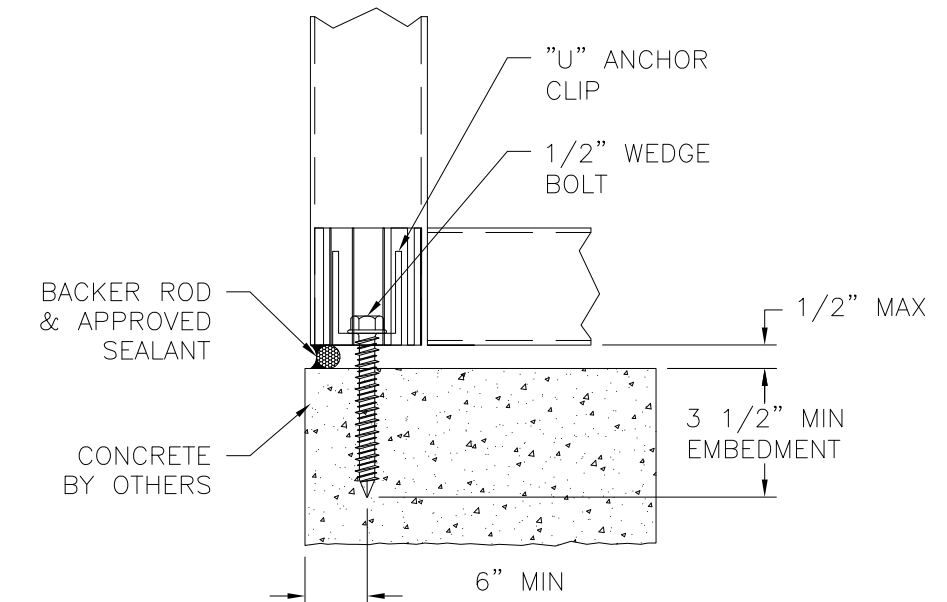
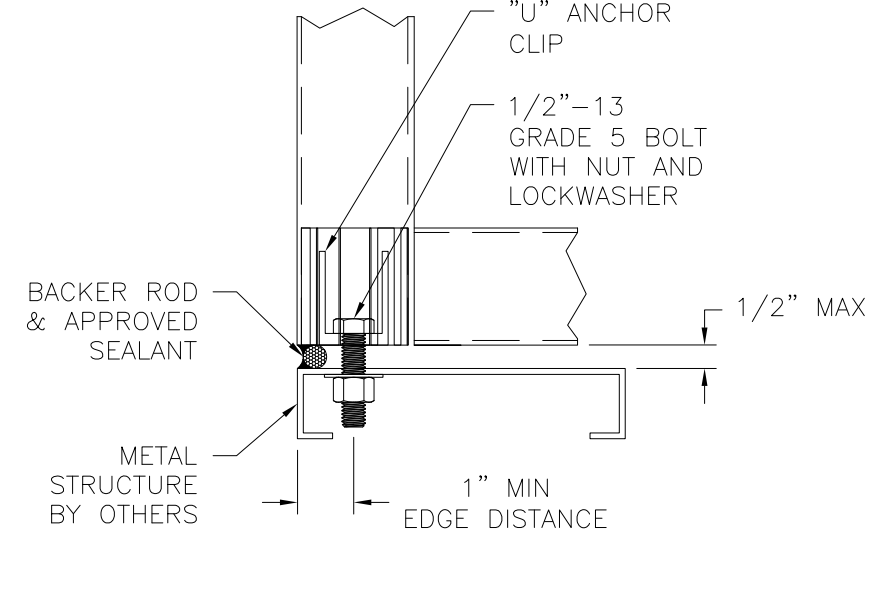
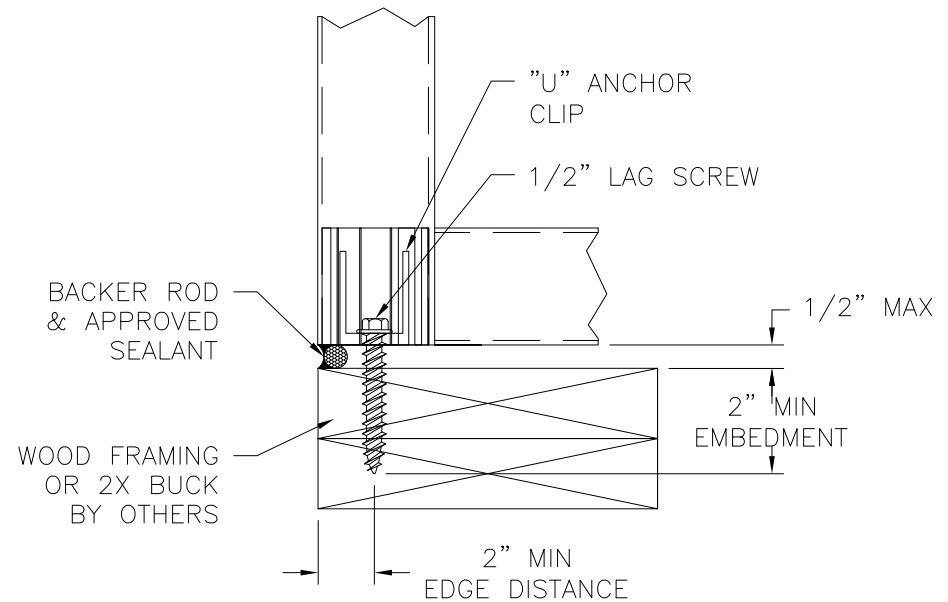
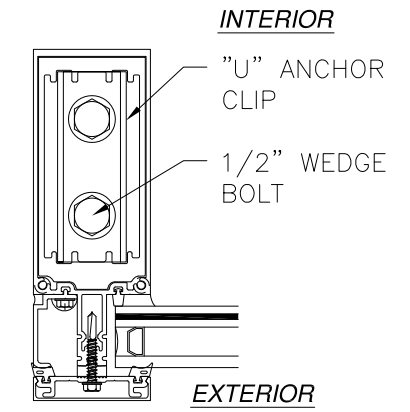
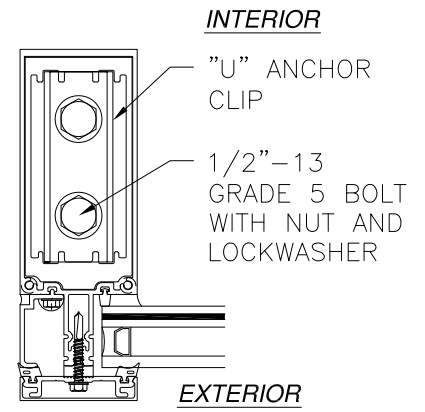
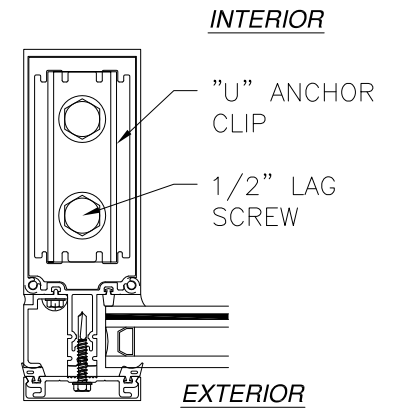
DRAWN: R.L.	DWG NO. 08-03025	REV -
SCALE NTS	DATE 12/07/16	SHEET 11 OF 24

L. ROBERTO LOMAS P.E.
1432 WOODFORD RD LEWISVILLE, NC 27023
434-688-0609 rllomas@rlomaspe.com



Luis R. Lomas P.E.
TX No.: 101889

REVISIONS			
REV	DESCRIPTION	DATE	APPROVED



**JAMB INSTALLATION DETAIL
WITH "U" ANCHOR CLIP**
WOOD FRAMING OR 2X BUCK INSTALLATION
SILL SHOWN, HEAD SIMILAR
SEE CHART #6 FOR RATINGS

**JAMB INSTALLATION DETAIL
WITH "U" ANCHOR CLIP**
METAL STRUCTURE INSTALLATION
SILL SHOWN, HEAD SIMILAR
SEE CHART #8 FOR RATINGS

**JAMB INSTALLATION DETAIL
WITH "U" ANCHOR CLIP**
CONCRETE INSTALLATION
SILL SHOWN, HEAD SIMILAR
SEE CHART #9 FOR RATINGS

- NOTES:
1. INTERIOR AND EXTERIOR FINISHES, BY OTHERS, NOT SHOWN FOR CLARITY.
 2. PERIMETER AND JOINT SEALANT BY OTHERS TO BE DESIGNED IN ACCORDANCE WITH ASTM E2112

SIGNED: 09/16/2019

US ALUMINUM
DIVISION OF C.R. LAURENCE CO., INC.
2503 E. VERNON AVE., LOS ANGELES, CA 90058

STORMWALL XL HURRICANE RESISTANT
CURTAIN WALL – WET GLAZED – SMI
INSTALLATION DETAILS

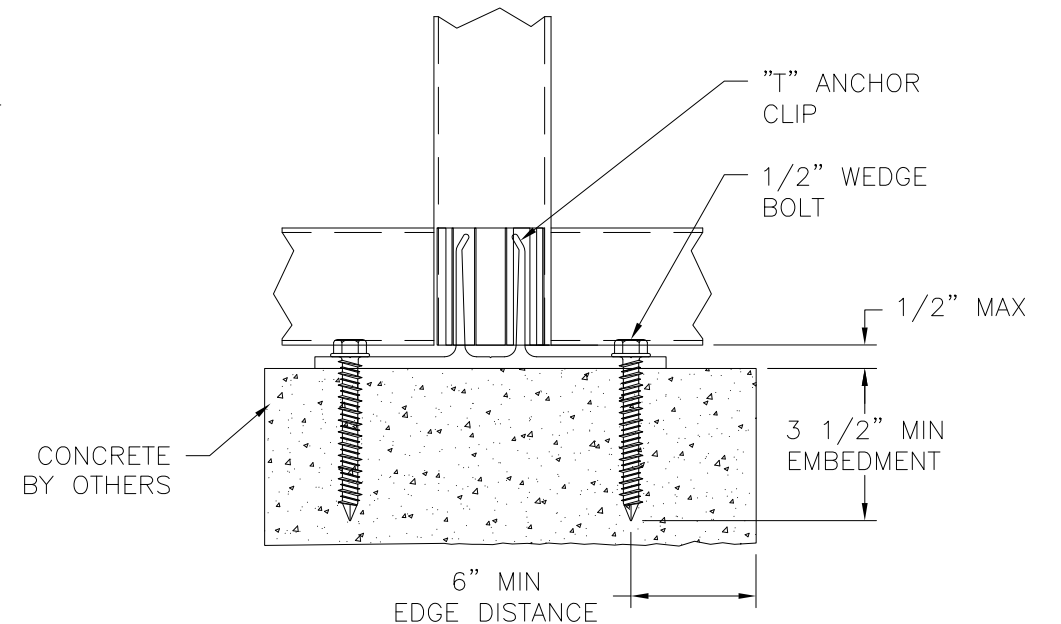
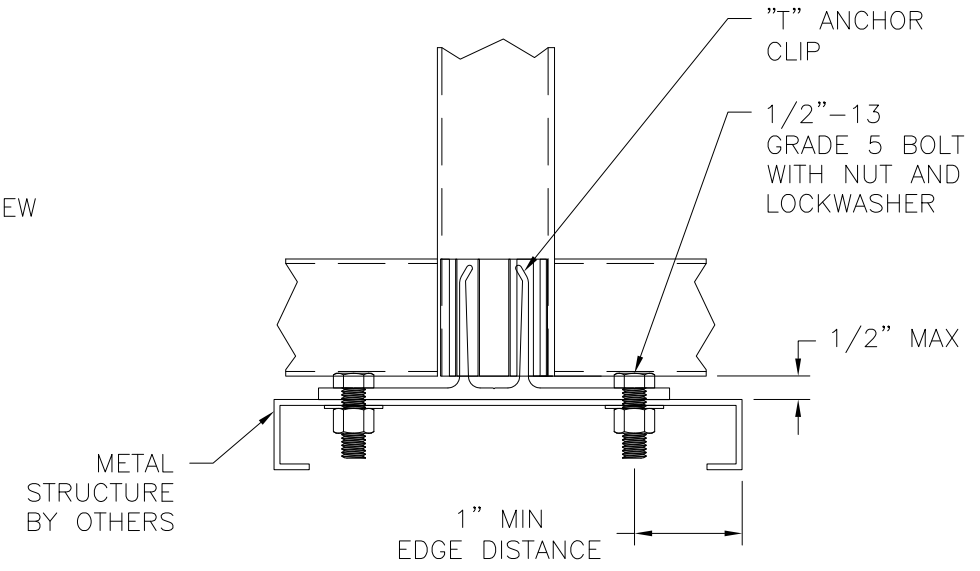
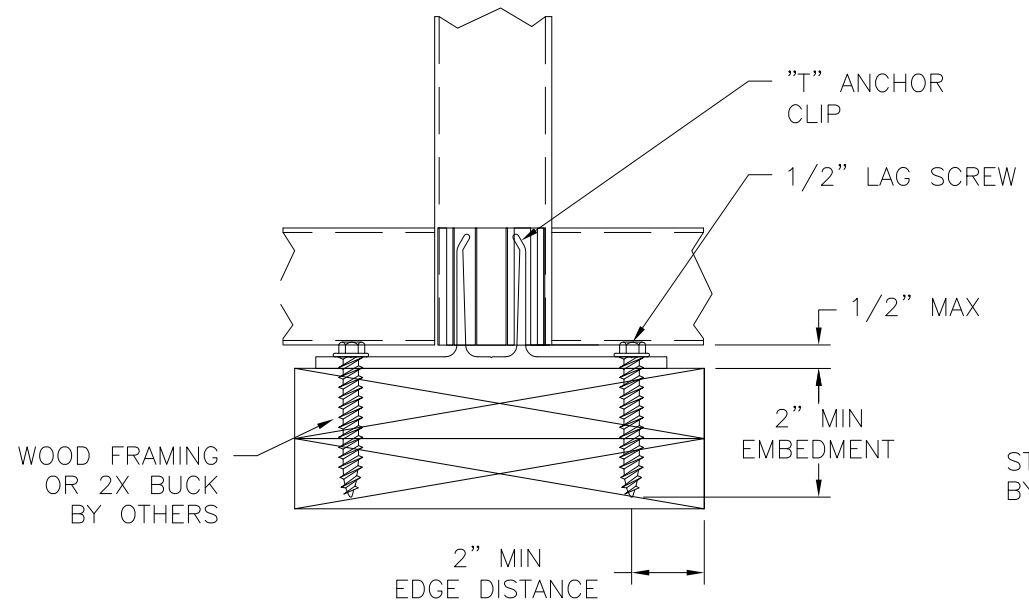
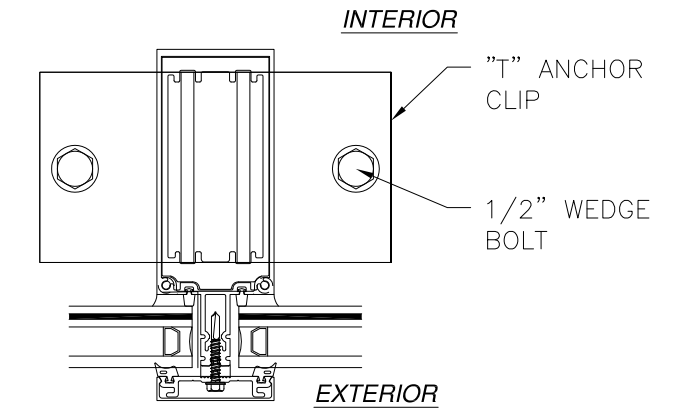
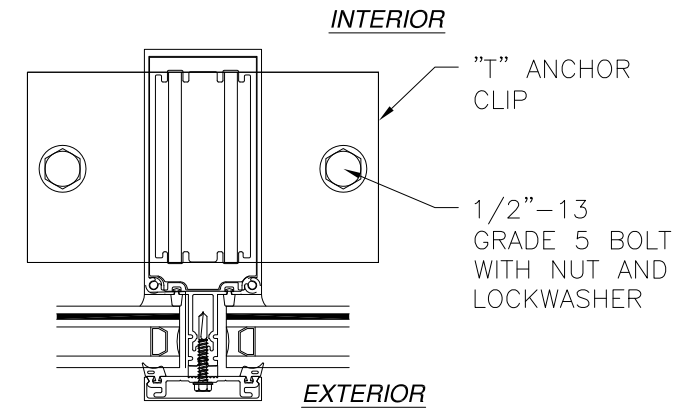
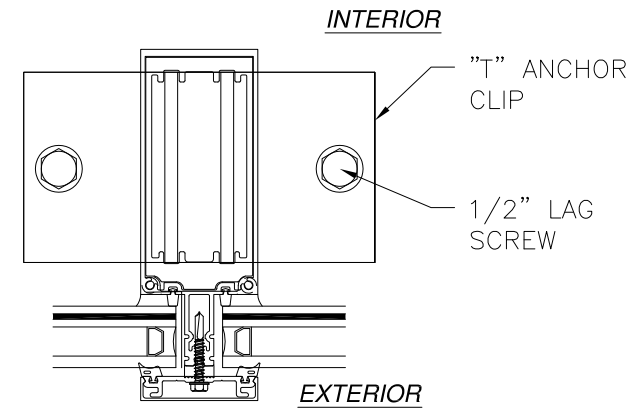
DRAWN: R.L.	DWG NO. 08-03025	REV -
SCALE NTS	DATE 12/07/16	SHEET 12 OF 24

L. ROBERTO LOMAS P.E.
1432 WOODFORD RD LEWISVILLE, NC 27023
434-688-0609 rllomas@rlomaspe.com



Luis R. Lomas P.E.
TX No.: 101889

REVISIONS			
REV	DESCRIPTION	DATE	APPROVED



**MULLION INSTALLATION DETAIL
WITH "T" ANCHOR CLIP
WOOD FRAMING OR 2X BUCK INSTALLATION
SILL SHOWN, HEAD SIMILAR
SEE CHART #10 FOR RATINGS**

**MULLION INSTALLATION DETAIL
WITH "T" ANCHOR CLIP
METAL STRUCTURE INSTALLATION
SILL SHOWN, HEAD SIMILAR
SEE CHART #12 FOR RATINGS**

**MULLION INSTALLATION DETAIL
WITH "T" ANCHOR CLIP
CONCRETE INSTALLATION
SILL SHOWN, HEAD SIMILAR
SEE CHART #13 FOR RATINGS**

- NOTES:**
- INTERIOR AND EXTERIOR FINISHES, BY OTHERS, NOT SHOWN FOR CLARITY.
 - PERIMETER AND JOINT SEALANT BY OTHERS TO BE DESIGNED IN ACCORDANCE WITH ASTM E2112

SIGNED: 09/16/2019

US ALUMINUM
DIVISION OF C.R. LAURENCE CO., INC.
2503 E. VERNON AVE., LOS ANGELES, CA 90058

STORMWALL XL HURRICANE RESISTANT
CURTAIN WALL – WET GLAZED – SMI
INSTALLATION DETAILS

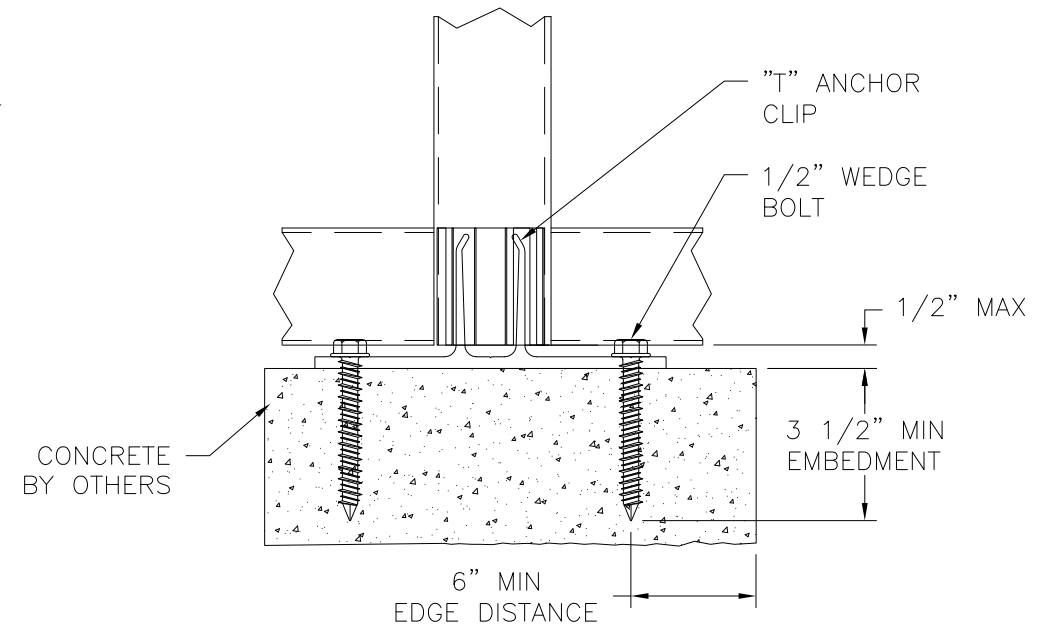
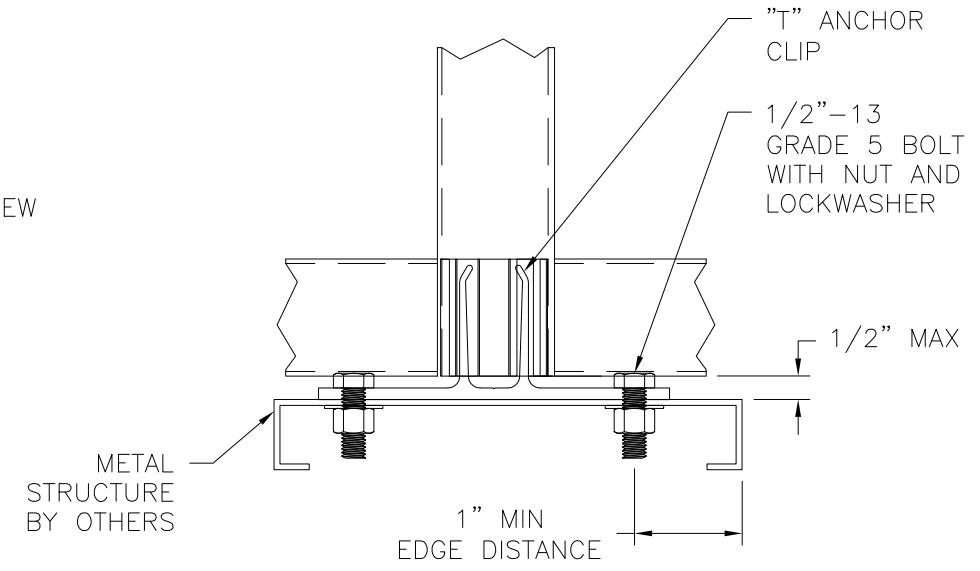
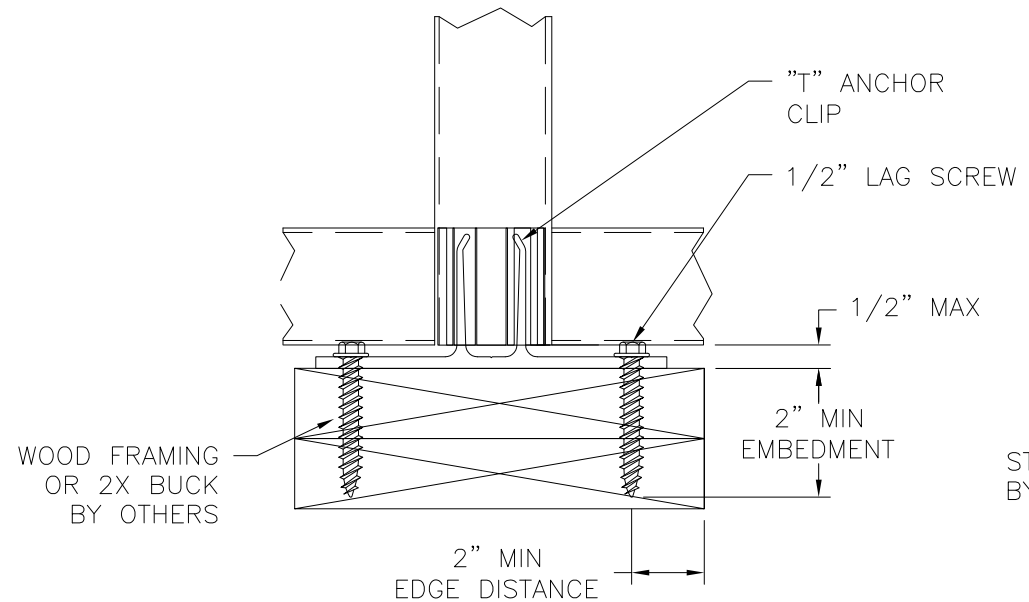
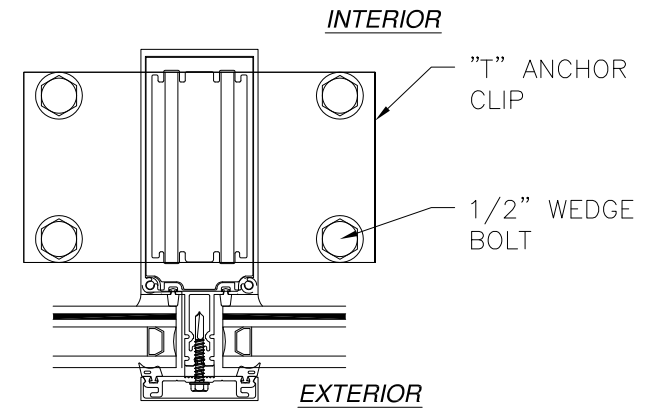
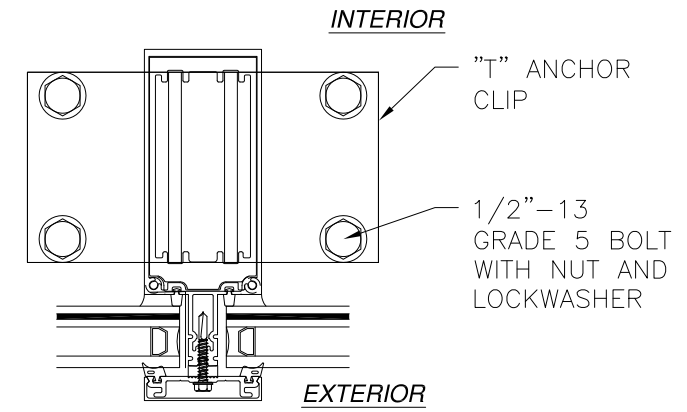
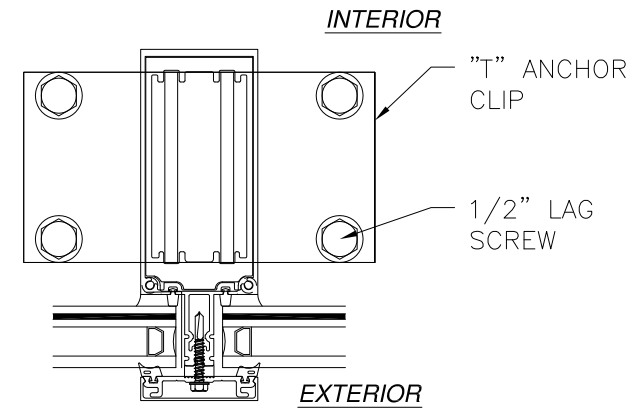
DRAWN: R.L.	DWG NO. 08-03025	REV -
SCALE NTS	DATE 12/07/16	SHEET 13 OF 24

L. ROBERTO LOMAS P.E.
1432 WOODFORD RD LEWISVILLE, NC 27023
434-688-0609 rllomas@rlomaspe.com



Luis R. Lomas P.E.
TX No.: 101889

REVISIONS			
REV	DESCRIPTION	DATE	APPROVED



**MULLION INSTALLATION DETAIL
WITH "T" ANCHOR CLIP
WOOD FRAMING OR 2X BUCK INSTALLATION
SILL SHOWN, HEAD SIMILAR
SEE CHART #11 FOR RATINGS**

**MULLION INSTALLATION DETAIL
WITH "T" ANCHOR CLIP
METAL STRUCTURE INSTALLATION
SILL SHOWN, HEAD SIMILAR
SEE CHART #12 FOR RATINGS**

**MULLION INSTALLATION DETAIL
WITH "T" ANCHOR CLIP
CONCRETE INSTALLATION
SILL SHOWN, HEAD SIMILAR
SEE CHART #14 FOR RATINGS**

- NOTES:**
- INTERIOR AND EXTERIOR FINISHES, BY OTHERS, NOT SHOWN FOR CLARITY.
 - PERIMETER AND JOINT SEALANT BY OTHERS TO BE DESIGNED IN ACCORDANCE WITH ASTM E2112

SIGNED: 09/16/2019

US ALUMINUM
DIVISION OF C.R. LAURENCE CO., INC.
2503 E. VERNON AVE., LOS ANGELES, CA 90058

STORMWALL XL HURRICANE RESISTANT
CURTAIN WALL – WET GLAZED – SMI
INSTALLATION DETAILS

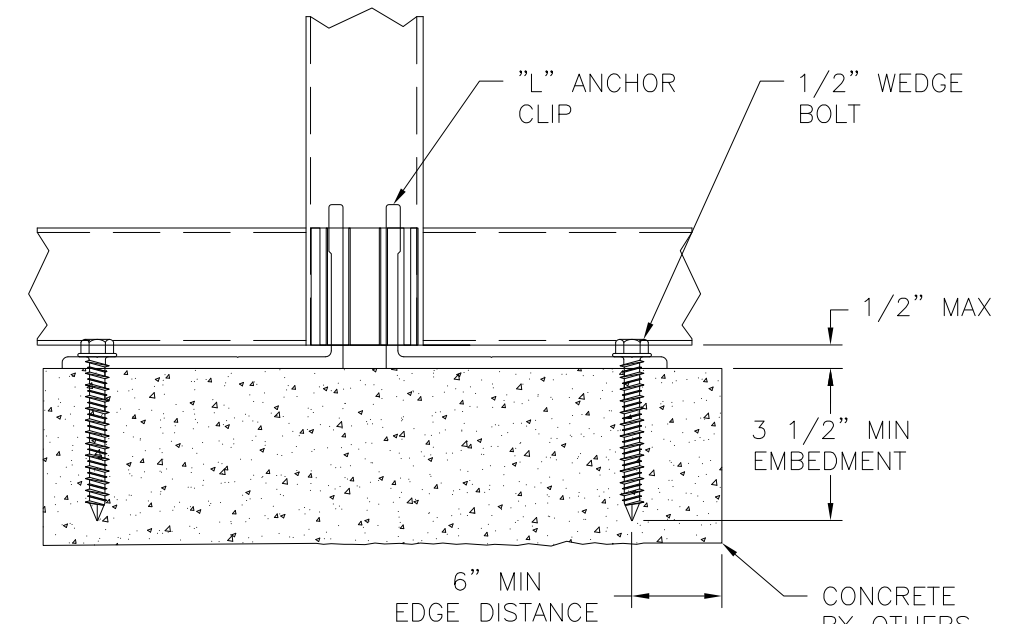
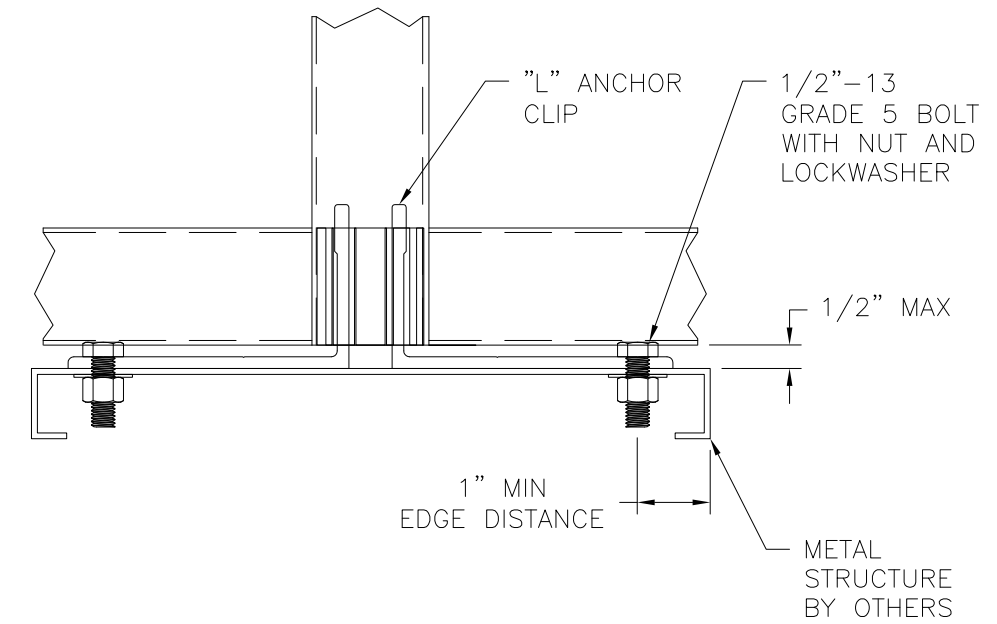
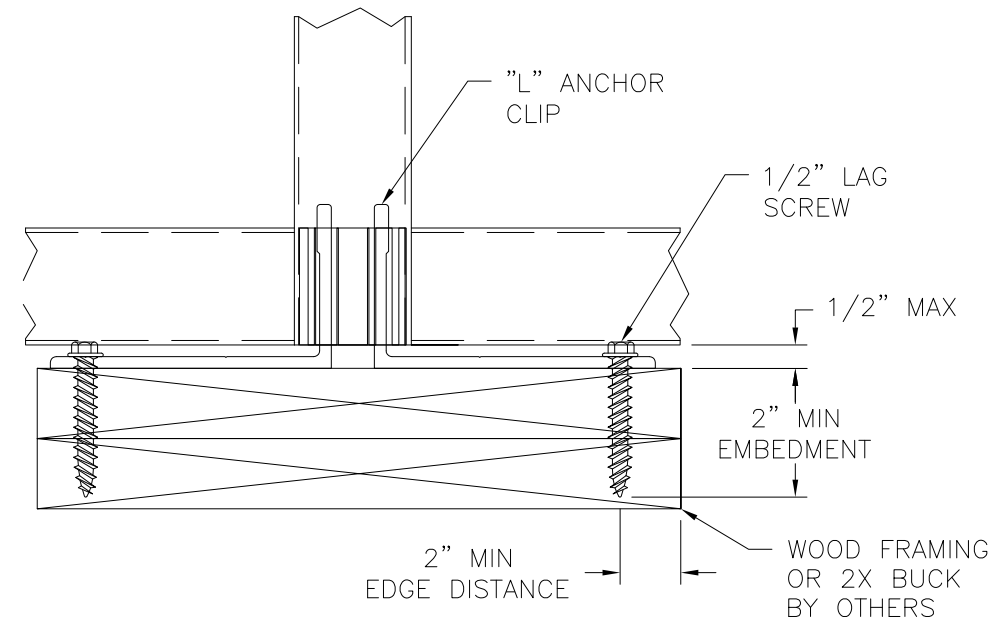
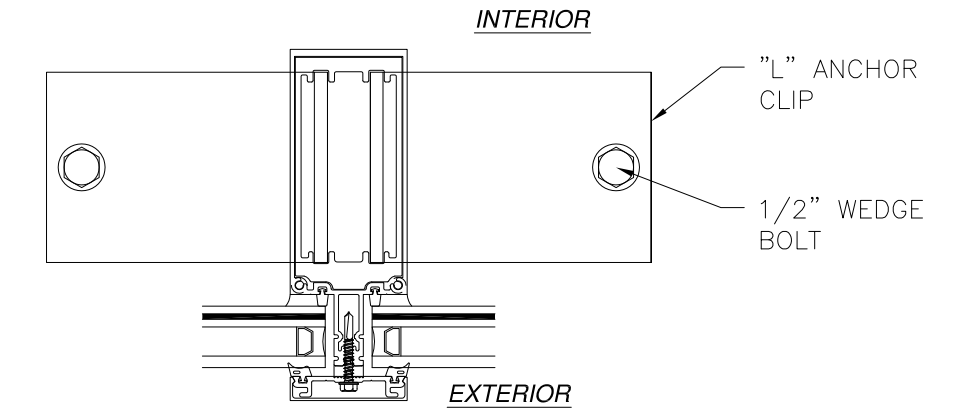
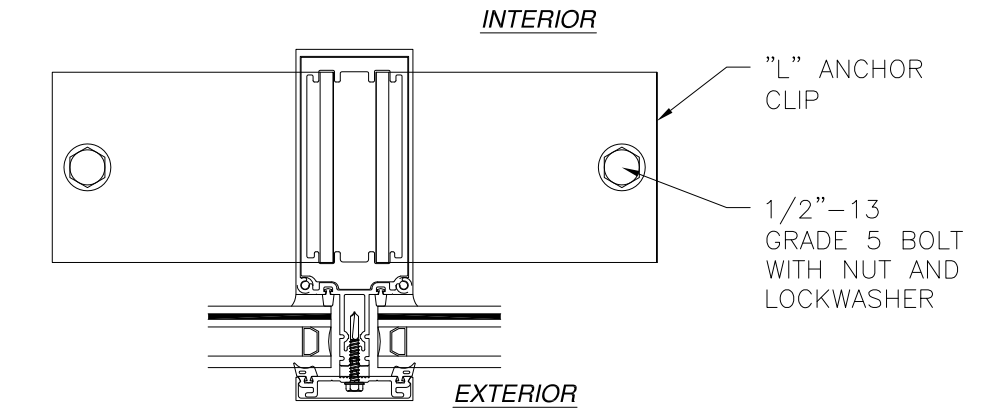
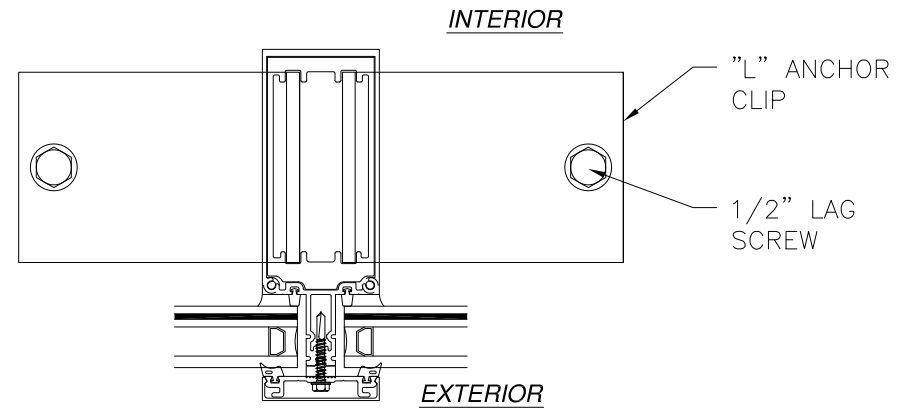
DRAWN: R.L.	DWG NO. 08-03025	REV -
SCALE NTS	DATE 12/07/16	SHEET 14 OF 24

L. ROBERTO LOMAS P.E.
1432 WOODFORD RD LEWISVILLE, NC 27023
434-688-0609 rllomas@rlomaspe.com



Luis R. Lomas P.E.
TX No.: 101889

REVISIONS			
REV	DESCRIPTION	DATE	APPROVED



**MULLION INSTALLATION DETAIL
WITH "L" ANCHOR CLIP**
WOOD FRAMING OR 2X BUCK INSTALLATION
SILL SHOWN, HEAD SIMILAR
SEE CHART #10 FOR RATINGS

**MULLION INSTALLATION DETAIL
WITH "L" ANCHOR CLIP**
METAL STRUCTURE INSTALLATION
SILL SHOWN, HEAD SIMILAR
SEE CHART #12 FOR RATINGS

**MULLION INSTALLATION DETAIL
WITH "L" ANCHOR CLIP**
CONCRETE INSTALLATION
SILL SHOWN, HEAD SIMILAR
SEE CHART #13 FOR RATINGS

- NOTES:
1. INTERIOR AND EXTERIOR FINISHES, BY OTHERS, NOT SHOWN FOR CLARITY.
 2. PERIMETER AND JOINT SEALANT BY OTHERS TO BE DESIGNED IN ACCORDANCE WITH ASTM E2112

SIGNED: 09/16/2019

US ALUMINUM
DIVISION OF C.R. LAURENCE CO., INC.
2503 E. VERNON AVE., LOS ANGELES, CA 90058

STORMWALL XL HURRICANE RESISTANT
CURTAIN WALL – WET GLAZED – SMI
INSTALLATION DETAILS

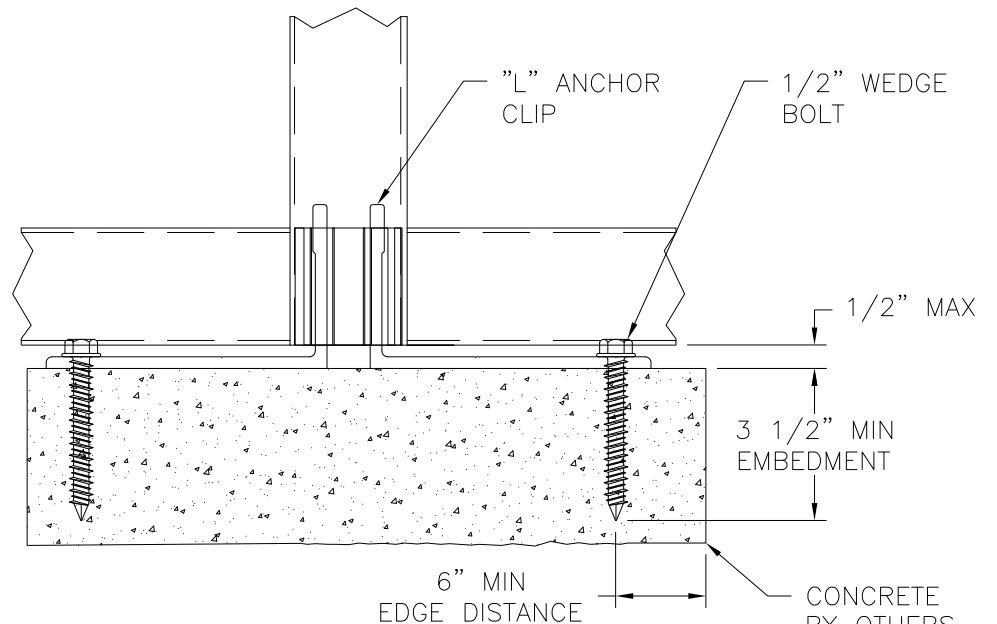
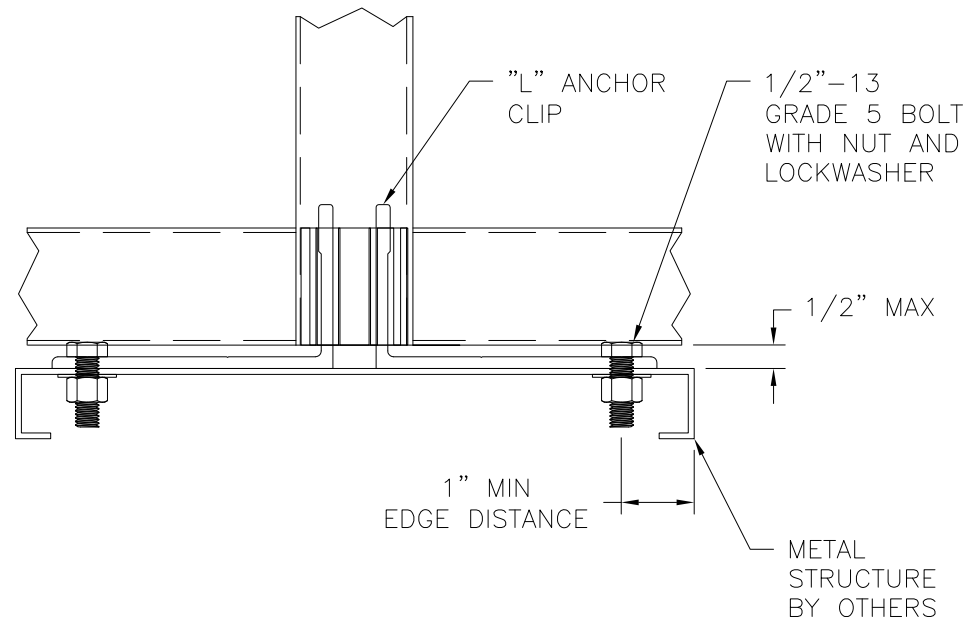
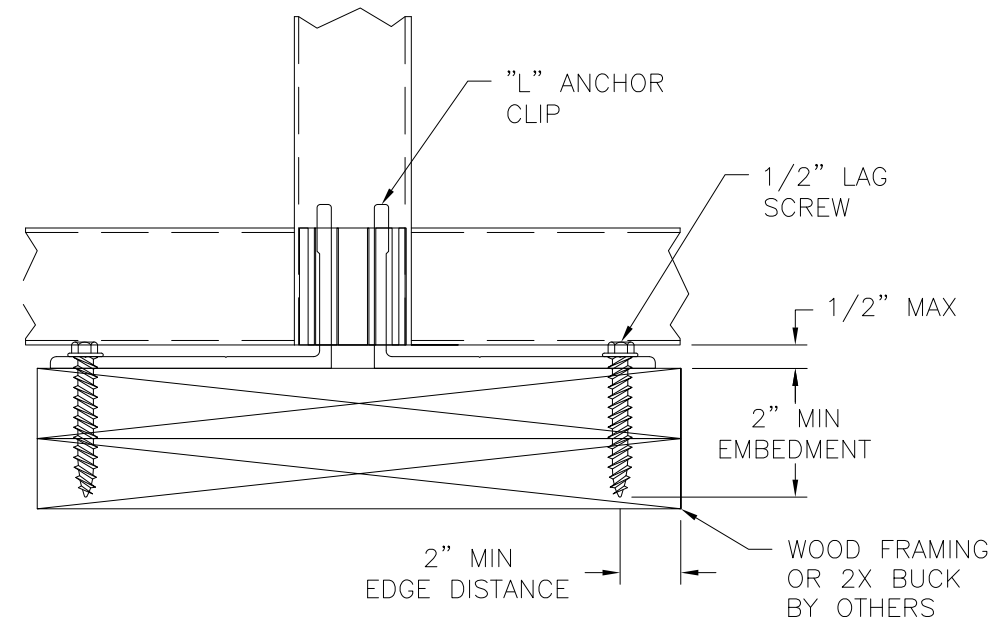
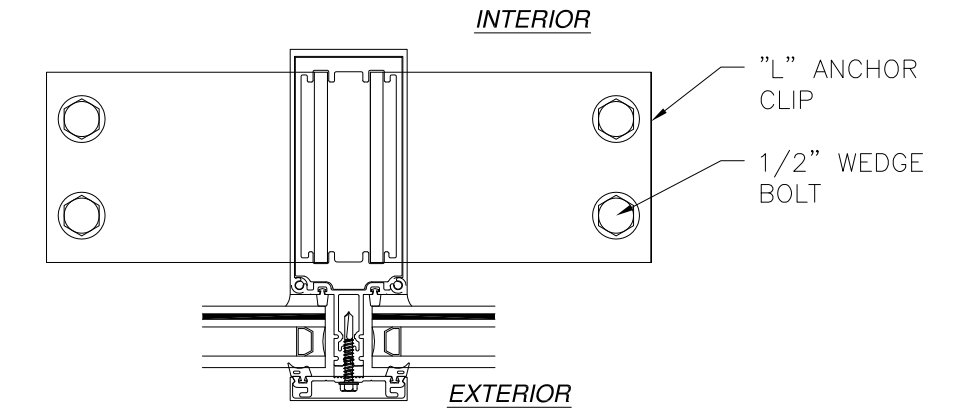
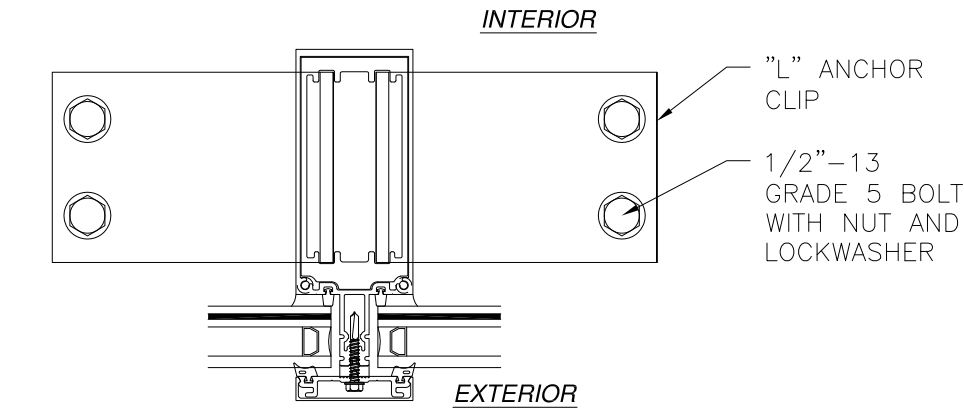
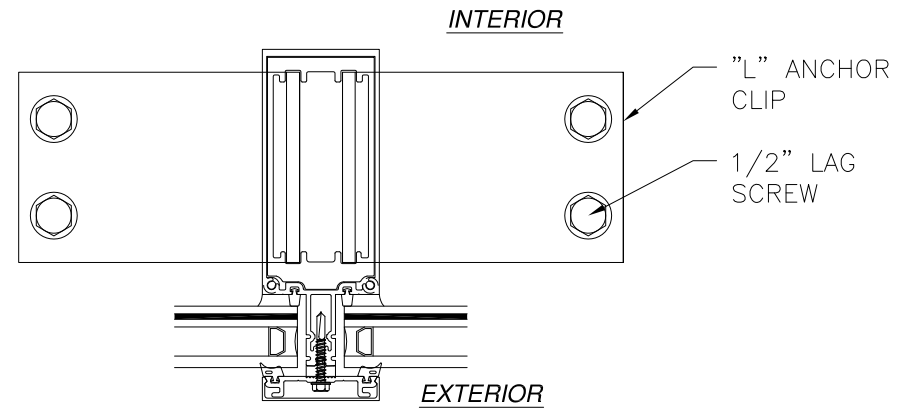
DRAWN: R.L.	DWG NO. 08-03025	REV -
SCALE NTS	DATE 12/07/16	SHEET 15 OF 24

L. ROBERTO LOMAS P.E.
1432 WOODFORD RD LEWISVILLE, NC 27023
434-688-0609 rllomas@rlomaspe.com



Luis R. Lomas P.E.
TX No.: 101889

REVISIONS			
REV	DESCRIPTION	DATE	APPROVED



**MULLION INSTALLATION DETAIL
WITH "L" ANCHOR CLIP**
WOOD FRAMING OR 2X BUCK INSTALLATION
SILL SHOWN, HEAD SIMILAR
SEE CHART #11 FOR RATINGS

**MULLION INSTALLATION DETAIL
WITH "L" ANCHOR CLIP**
METAL STRUCTURE INSTALLATION
SILL SHOWN, HEAD SIMILAR
SEE CHART #12 FOR RATINGS

**MULLION INSTALLATION DETAIL
WITH "L" ANCHOR CLIP**
CONCRETE INSTALLATION
SILL SHOWN, HEAD SIMILAR
SEE CHART #14 FOR RATINGS

- NOTES:
1. INTERIOR AND EXTERIOR FINISHES, BY OTHERS, NOT SHOWN FOR CLARITY.
 2. PERIMETER AND JOINT SEALANT BY OTHERS TO BE DESIGNED IN ACCORDANCE WITH ASTM E2112

SIGNED: 09/16/2019

US ALUMINUM
DIVISION OF C.R. LAURENCE CO., INC.
2503 E. VERNON AVE., LOS ANGELES, CA 90058

STORMWALL XL HURRICANE RESISTANT
CURTAIN WALL - WET GLAZED - SMI
INSTALLATION DETAILS

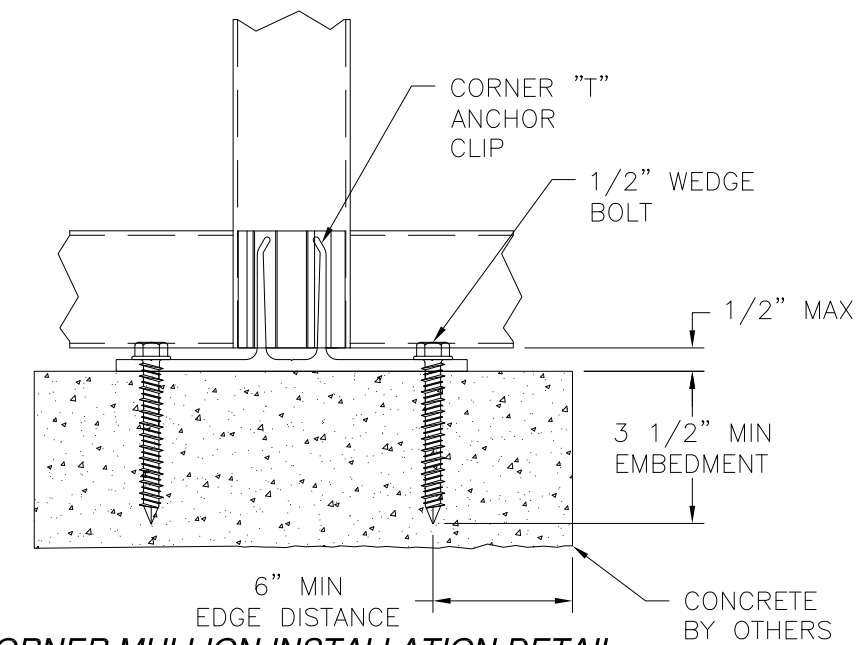
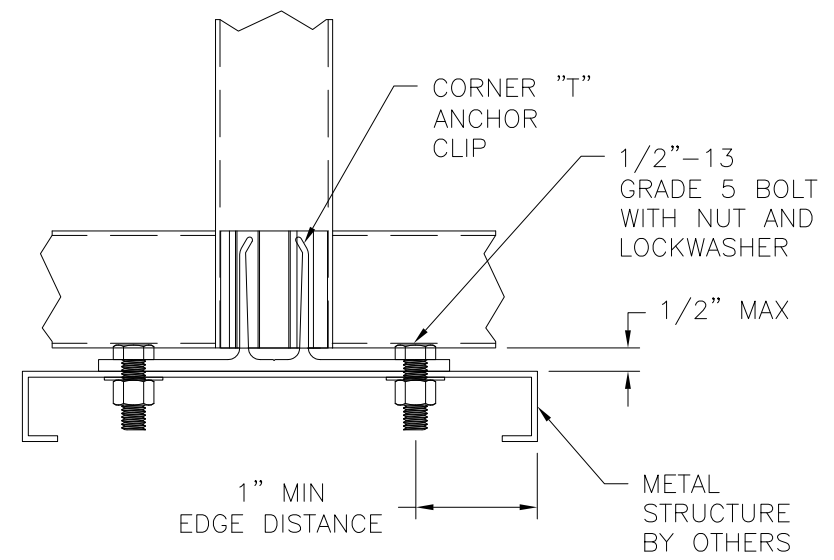
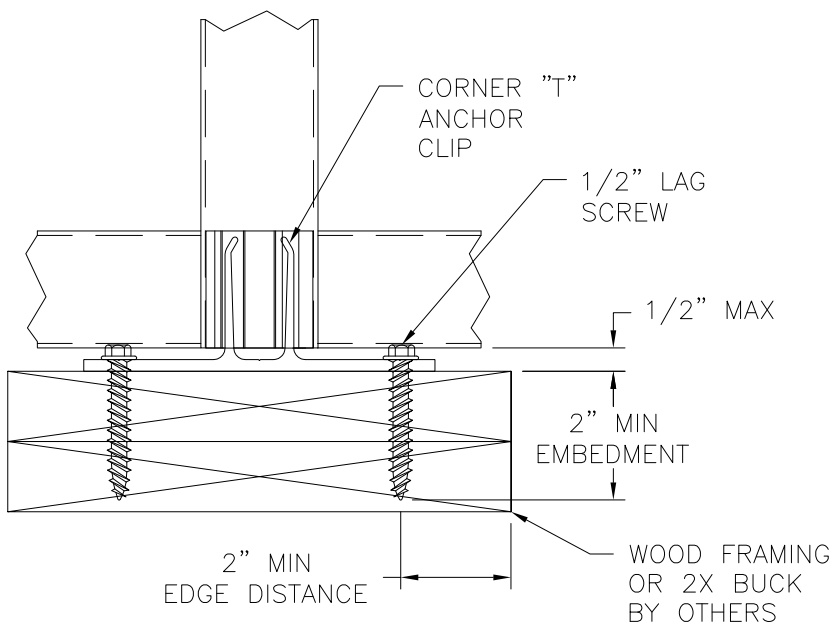
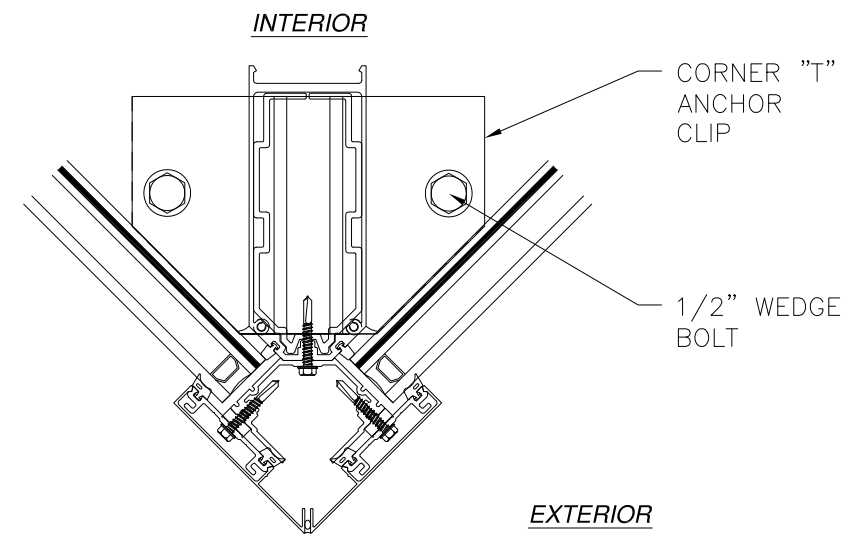
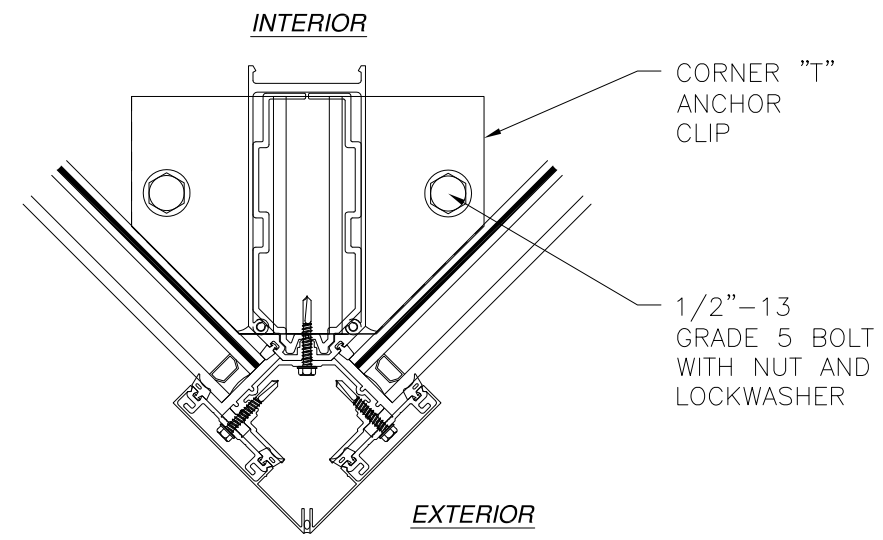
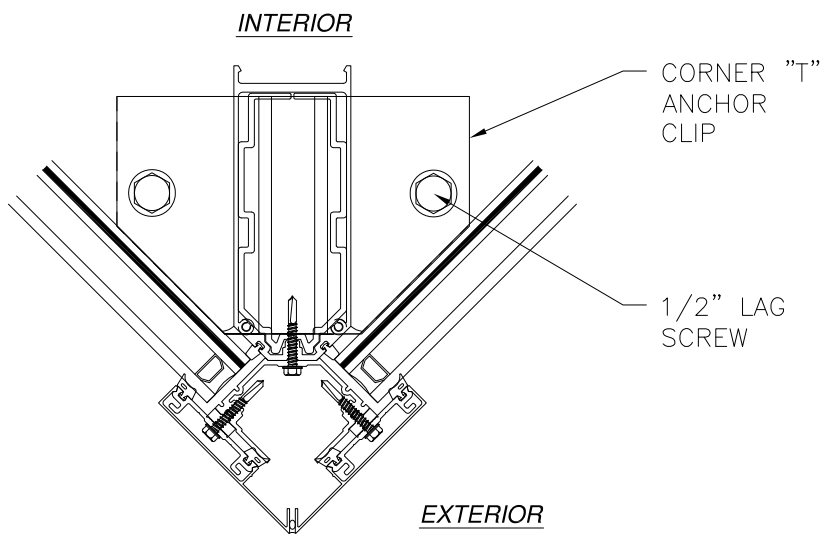
DRAWN: R.L.	DWG NO. 08-03025	REV -
SCALE NTS	DATE 12/07/16	SHEET 16 OF 24

L. ROBERTO LOMAS P.E.
1432 WOODFORD RD LEWISVILLE, NC 27023
434-688-0609 rllomas@rlomaspe.com



Luis R. Lomas P.E.
TX No.: 101889

REVISIONS			
REV	DESCRIPTION	DATE	APPROVED



CORNER MULLION INSTALLATION DETAIL WITH "T" ANCHOR CLIP
WOOD FRAMING OR 2X BUCK INSTALLATION
 SILL SHOWN, HEAD SIMILAR
 SEE CHART #10 FOR RATINGS

CORNER MULLION INSTALLATION DETAIL WITH "T" ANCHOR CLIP
METAL STRUCTURE INSTALLATION
 SILL SHOWN, HEAD SIMILAR
 SEE CHART #12 FOR RATINGS

CORNER MULLION INSTALLATION DETAIL WITH "T" ANCHOR CLIP
CONCRETE INSTALLATION
 SILL SHOWN, HEAD SIMILAR
 SEE CHART #13 FOR RATINGS

SIGNED: 09/16/2019

- NOTES:
1. INTERIOR AND EXTERIOR FINISHES, BY OTHERS, NOT SHOWN FOR CLARITY.
 2. PERIMETER AND JOINT SEALANT BY OTHERS TO BE DESIGNED IN ACCORDANCE WITH ASTM E2112

US ALUMINUM DIVISION OF C.R. LAURENCE CO., INC. 2503 E. VERNON AVE., LOS ANGELES, CA 90058		
STORMWALL XL HURRICANE RESISTANT CURTAIN WALL - WET GLAZED - SMI INSTALLATION DETAILS		
DRAWN: R.L.	DWG NO. 08-03025	REV -
SCALE NTS	DATE 12/07/16	SHEET 17 OF 24
L. ROBERTO LOMAS P.E. 1432 WOODFORD RD LEWISVILLE, NC 27023 434-688-0609 rllomas@rlomaspe.com		



Luis R. Lomas P.E.
 TX No.: 101889

Chart #6
Design pressure for anchoring into wood with (2) anchors per clip

Frame Height (in)	Tributary width (in)								
	24.0	30.0	36.0	42.0	48.0	54.0	60.0	66.0	72.0
60.0	100.0	100.0	100.0	100.0	100.0	100.0	100.0	100.0	100.0
66.0	100.0	100.0	100.0	100.0	100.0	100.0	100.0	100.0	100.0
72.0	100.0	100.0	100.0	100.0	100.0	100.0	100.0	100.0	100.0
78.0	100.0	100.0	100.0	100.0	100.0	100.0	100.0	100.0	100.0
84.0	100.0	100.0	100.0	100.0	100.0	100.0	100.0	100.0	100.0
90.0	100.0	100.0	100.0	100.0	100.0	100.0	100.0	100.0	100.0
96.0	100.0	100.0	100.0	100.0	100.0	100.0	100.0	100.0	100.0
102.0	100.0	100.0	100.0	100.0	100.0	100.0	100.0	100.0	100.0
108.0	100.0	100.0	100.0	100.0	100.0	100.0	100.0	100.0	100.0
114.0	100.0	100.0	100.0	100.0	100.0	100.0	100.0	100.0	100.0
120.0	100.0	100.0	100.0	100.0	100.0	100.0	100.0	100.0	100.0
126.0	100.0	100.0	100.0	100.0	100.0	100.0	100.0	100.0	98.4
132.0	100.0	100.0	100.0	100.0	100.0	100.0	100.0	100.0	93.9
138.0	100.0	100.0	100.0	100.0	100.0	100.0	100.0	98.0	89.9
144.0	100.0	100.0	100.0	100.0	100.0	100.0	100.0	93.9	86.1
150.0	100.0	100.0	100.0	100.0	100.0	100.0	99.2	90.2	82.7
156.0	100.0	100.0	100.0	100.0	100.0	100.0	95.4	86.7	79.5
162.0	100.0	100.0	100.0	100.0	100.0	100.0	91.9	83.5	76.5
168.0	100.0	100.0	100.0	100.0	100.0	98.4	88.6	80.5	73.8
174.0	100.0	100.0	100.0	100.0	100.0	95.0	85.5	77.7	71.3
175.0	100.0	100.0	100.0	100.0	100.0	94.5	85.0	77.3	70.9

Chart #7
Design pressure for anchoring into wood with (4) anchors per clip

Frame Height (in)	Tributary width (in)								
	24.0	30.0	36.0	42.0	48.0	54.0	60.0	66.0	72.0
60.0	100.0	100.0	100.0	100.0	100.0	100.0	100.0	100.0	100.0
66.0	100.0	100.0	100.0	100.0	100.0	100.0	100.0	100.0	100.0
72.0	100.0	100.0	100.0	100.0	100.0	100.0	100.0	100.0	100.0
78.0	100.0	100.0	100.0	100.0	100.0	100.0	100.0	100.0	100.0
84.0	100.0	100.0	100.0	100.0	100.0	100.0	100.0	100.0	100.0
90.0	100.0	100.0	100.0	100.0	100.0	100.0	100.0	100.0	100.0
96.0	100.0	100.0	100.0	100.0	100.0	100.0	100.0	100.0	100.0
102.0	100.0	100.0	100.0	100.0	100.0	100.0	100.0	100.0	100.0
108.0	100.0	100.0	100.0	100.0	100.0	100.0	100.0	100.0	100.0
114.0	100.0	100.0	100.0	100.0	100.0	100.0	100.0	100.0	100.0
120.0	100.0	100.0	100.0	100.0	100.0	100.0	100.0	100.0	100.0
126.0	100.0	100.0	100.0	100.0	100.0	100.0	100.0	100.0	100.0
132.0	100.0	100.0	100.0	100.0	100.0	100.0	100.0	100.0	100.0
138.0	100.0	100.0	100.0	100.0	100.0	100.0	100.0	100.0	100.0
144.0	100.0	100.0	100.0	100.0	100.0	100.0	100.0	100.0	100.0
150.0	100.0	100.0	100.0	100.0	100.0	100.0	100.0	100.0	100.0
156.0	100.0	100.0	100.0	100.0	100.0	100.0	100.0	100.0	100.0
162.0	100.0	100.0	100.0	100.0	100.0	100.0	100.0	100.0	100.0
168.0	100.0	100.0	100.0	100.0	100.0	100.0	100.0	100.0	100.0
174.0	100.0	100.0	100.0	100.0	100.0	100.0	100.0	100.0	100.0
175.0	100.0	100.0	100.0	100.0	100.0	100.0	100.0	100.0	100.0

REVISIONS			
REV	DESCRIPTION	DATE	APPROVED

Chart #8
Design pressure for anchoring into metal structure with (2) or (4) anchors per clip

Frame Height (in)	Tributary width (in)								
	24.0	30.0	36.0	42.0	48.0	54.0	60.0	66.0	72.0
60.0	100.0	100.0	100.0	100.0	100.0	100.0	100.0	100.0	100.0
66.0	100.0	100.0	100.0	100.0	100.0	100.0	100.0	100.0	100.0
72.0	100.0	100.0	100.0	100.0	100.0	100.0	100.0	100.0	100.0
78.0	100.0	100.0	100.0	100.0	100.0	100.0	100.0	100.0	100.0
84.0	100.0	100.0	100.0	100.0	100.0	100.0	100.0	100.0	100.0
90.0	100.0	100.0	100.0	100.0	100.0	100.0	100.0	100.0	100.0
96.0	100.0	100.0	100.0	100.0	100.0	100.0	100.0	100.0	100.0
102.0	100.0	100.0	100.0	100.0	100.0	100.0	100.0	100.0	100.0
108.0	100.0	100.0	100.0	100.0	100.0	100.0	100.0	100.0	100.0
114.0	100.0	100.0	100.0	100.0	100.0	100.0	100.0	100.0	100.0
120.0	100.0	100.0	100.0	100.0	100.0	100.0	100.0	100.0	100.0
126.0	100.0	100.0	100.0	100.0	100.0	100.0	100.0	100.0	100.0
132.0	100.0	100.0	100.0	100.0	100.0	100.0	100.0	100.0	100.0
138.0	100.0	100.0	100.0	100.0	100.0	100.0	100.0	100.0	100.0
144.0	100.0	100.0	100.0	100.0	100.0	100.0	100.0	100.0	100.0
150.0	100.0	100.0	100.0	100.0	100.0	100.0	100.0	100.0	100.0
156.0	100.0	100.0	100.0	100.0	100.0	100.0	100.0	100.0	100.0
162.0	100.0	100.0	100.0	100.0	100.0	100.0	100.0	100.0	100.0
168.0	100.0	100.0	100.0	100.0	100.0	100.0	100.0	100.0	100.0
174.0	100.0	100.0	100.0	100.0	100.0	100.0	100.0	100.0	100.0
175.0	100.0	100.0	100.0	100.0	100.0	100.0	100.0	100.0	100.0

Chart #9
Design pressure for anchoring into concrete with (2) or (4) anchors per clip

Frame Height (in)	Tributary width (in)								
	24.0	30.0	36.0	42.0	48.0	54.0	60.0	66.0	72.0
60.0	100.0	100.0	100.0	100.0	100.0	100.0	100.0	100.0	100.0
66.0	100.0	100.0	100.0	100.0	100.0	100.0	100.0	100.0	100.0
72.0	100.0	100.0	100.0	100.0	100.0	100.0	100.0	100.0	100.0
78.0	100.0	100.0	100.0	100.0	100.0	100.0	100.0	100.0	100.0
84.0	100.0	100.0	100.0	100.0	100.0	100.0	100.0	100.0	100.0
90.0	100.0	100.0	100.0	100.0	100.0	100.0	100.0	100.0	100.0
96.0	100.0	100.0	100.0	100.0	100.0	100.0	100.0	100.0	100.0
102.0	100.0	100.0	100.0	100.0	100.0	100.0	100.0	100.0	100.0
108.0	100.0	100.0	100.0	100.0	100.0	100.0	100.0	100.0	100.0
114.0	100.0	100.0	100.0	100.0	100.0	100.0	100.0	100.0	100.0
120.0	100.0	100.0	100.0	100.0	100.0	100.0	100.0	100.0	100.0
126.0	100.0	100.0	100.0	100.0	100.0	100.0	100.0	100.0	100.0
132.0	100.0	100.0	100.0	100.0	100.0	100.0	100.0	100.0	100.0
138.0	100.0	100.0	100.0	100.0	100.0	100.0	100.0	100.0	100.0
144.0	100.0	100.0	100.0	100.0	100.0	100.0	100.0	100.0	100.0
150.0	100.0	100.0	100.0	100.0	100.0	100.0	100.0	100.0	100.0
156.0	100.0	100.0	100.0	100.0	100.0	100.0	100.0	100.0	100.0
162.0	100.0	100.0	100.0	100.0	100.0	100.0	100.0	100.0	100.0
168.0	100.0	100.0	100.0	100.0	100.0	100.0	100.0	100.0	100.0
174.0	100.0	100.0	100.0	100.0	100.0	100.0	100.0	100.0	100.0
175.0	100.0	100.0	100.0	100.0	100.0	100.0	100.0	100.0	100.0

SIGNED: 09/16/2019

US ALUMINUM
DIVISION OF C.R. LAURENCE CO., INC.
2503 E. VERNON AVE., LOS ANGELES, CA 90058

STORMWALL XL HURRICANE RESISTANT
CURTAIN WALL – WET GLAZED – SMI
INSTALLATION DETAILS RATING CHARTS

DRAWN: R.L.	DWG NO. 08-03025	REV -
SCALE NTS	DATE 12/07/16	SHEET 18 OF 24

L. ROBERTO LOMAS P.E.
1432 WOODFORD RD LEWISVILLE, NC 27023
434-688-0609 rllomas@rlomaspe.com



Luis R. Lomas P.E.
TX No.: 101889

REVISIONS			
REV	DESCRIPTION	DATE	APPROVED

Chart #10

Design pressure for anchoring into wood with (2) anchors per clip

Frame Height (in)	Tributary width (in)								
	24.0	30.0	36.0	42.0	48.0	54.0	60.0	66.0	72.0
60.0	100.0	100.0	100.0	100.0	100.0	100.0	100.0	100.0	100.0
66.0	100.0	100.0	100.0	100.0	100.0	100.0	100.0	100.0	93.9
72.0	100.0	100.0	100.0	100.0	100.0	100.0	100.0	93.9	86.1
78.0	100.0	100.0	100.0	100.0	100.0	100.0	95.4	86.7	79.5
84.0	100.0	100.0	100.0	100.0	100.0	98.4	88.6	80.5	73.8
90.0	100.0	100.0	100.0	100.0	100.0	91.9	82.7	75.2	68.9
96.0	100.0	100.0	100.0	100.0	96.9	86.1	77.5	70.5	64.6
102.0	100.0	100.0	100.0	100.0	91.2	81.0	72.9	66.3	60.8
108.0	100.0	100.0	100.0	98.4	86.1	76.5	68.9	62.6	57.4
114.0	100.0	100.0	100.0	93.2	81.6	72.5	65.3	59.3	54.4
120.0	100.0	100.0	100.0	88.6	77.5	68.9	62.0	56.4	51.7
126.0	100.0	100.0	98.4	84.4	73.8	65.6	59.0	53.7	49.2
132.0	100.0	100.0	93.9	80.5	70.5	62.6	56.4	51.2	47.0
138.0	100.0	100.0	89.9	77.0	67.4	59.9	53.9	49.0	44.9
144.0	100.0	100.0	86.1	73.8	64.6	57.4	51.7	47.0	43.1
150.0	100.0	99.2	82.7	70.9	62.0	55.1	49.6	45.1	41.3
156.0	100.0	95.4	79.5	68.1	59.6	53.0	47.7	43.4	39.7
162.0	100.0	91.9	76.5	65.6	57.4	51.0	45.9	41.8	38.3
168.0	100.0	88.6	73.8	63.3	55.4	49.2	44.3	40.3	36.9
174.0	100.0	85.5	71.3	61.1	53.4	47.5	42.8	38.9	35.6
175.0	100.0	85.0	70.9	60.7	53.1	47.2	42.5	38.6	35.4

Chart #11

Design pressure for anchoring into wood with (4) anchors per clip

Frame Height (in)	Tributary width (in)								
	24.0	30.0	36.0	42.0	48.0	54.0	60.0	66.0	72.0
60.0	100.0	100.0	100.0	100.0	100.0	100.0	100.0	100.0	100.0
66.0	100.0	100.0	100.0	100.0	100.0	100.0	100.0	100.0	100.0
72.0	100.0	100.0	100.0	100.0	100.0	100.0	100.0	100.0	100.0
78.0	100.0	100.0	100.0	100.0	100.0	100.0	100.0	100.0	100.0
84.0	100.0	100.0	100.0	100.0	100.0	100.0	100.0	100.0	100.0
90.0	100.0	100.0	100.0	100.0	100.0	100.0	100.0	100.0	100.0
96.0	100.0	100.0	100.0	100.0	100.0	100.0	100.0	100.0	100.0
102.0	100.0	100.0	100.0	100.0	100.0	100.0	100.0	100.0	100.0
108.0	100.0	100.0	100.0	100.0	100.0	100.0	100.0	100.0	100.0
114.0	100.0	100.0	100.0	100.0	100.0	100.0	100.0	100.0	100.0
120.0	100.0	100.0	100.0	100.0	100.0	100.0	100.0	100.0	100.0
126.0	100.0	100.0	100.0	100.0	100.0	100.0	100.0	100.0	98.4
132.0	100.0	100.0	100.0	100.0	100.0	100.0	100.0	100.0	93.9
138.0	100.0	100.0	100.0	100.0	100.0	100.0	100.0	98.0	89.9
144.0	100.0	100.0	100.0	100.0	100.0	100.0	100.0	93.9	86.1
150.0	100.0	100.0	100.0	100.0	100.0	100.0	99.2	90.2	82.7
156.0	100.0	100.0	100.0	100.0	100.0	100.0	95.4	86.7	79.5
162.0	100.0	100.0	100.0	100.0	100.0	100.0	91.9	83.5	76.5
168.0	100.0	100.0	100.0	100.0	100.0	98.4	88.6	80.5	73.8
174.0	100.0	100.0	100.0	100.0	100.0	95.0	85.5	77.7	71.3
175.0	100.0	100.0	100.0	100.0	100.0	94.5	85.0	77.3	70.9

Chart #14

Design pressure for anchoring into concrete with (4) anchors per clip

Frame Height (in)	Tributary width (in)								
	24.0	30.0	36.0	42.0	48.0	54.0	60.0	66.0	72.0
60.0	100.0	100.0	100.0	100.0	100.0	100.0	100.0	100.0	100.0
66.0	100.0	100.0	100.0	100.0	100.0	100.0	100.0	100.0	100.0
72.0	100.0	100.0	100.0	100.0	100.0	100.0	100.0	100.0	100.0
78.0	100.0	100.0	100.0	100.0	100.0	100.0	100.0	100.0	100.0
84.0	100.0	100.0	100.0	100.0	100.0	100.0	100.0	100.0	100.0
90.0	100.0	100.0	100.0	100.0	100.0	100.0	100.0	100.0	100.0
96.0	100.0	100.0	100.0	100.0	100.0	100.0	100.0	100.0	100.0
102.0	100.0	100.0	100.0	100.0	100.0	100.0	100.0	100.0	100.0
108.0	100.0	100.0	100.0	100.0	100.0	100.0	100.0	100.0	100.0
114.0	100.0	100.0	100.0	100.0	100.0	100.0	100.0	100.0	100.0
120.0	100.0	100.0	100.0	100.0	100.0	100.0	100.0	100.0	100.0
126.0	100.0	100.0	100.0	100.0	100.0	100.0	100.0	100.0	100.0
132.0	100.0	100.0	100.0	100.0	100.0	100.0	100.0	100.0	100.0
138.0	100.0	100.0	100.0	100.0	100.0	100.0	100.0	100.0	100.0
144.0	100.0	100.0	100.0	100.0	100.0	100.0	100.0	100.0	100.0
150.0	100.0	100.0	100.0	100.0	100.0	100.0	100.0	100.0	100.0
156.0	100.0	100.0	100.0	100.0	100.0	100.0	100.0	100.0	100.0
162.0	100.0	100.0	100.0	100.0	100.0	100.0	100.0	100.0	100.0
168.0	100.0	100.0	100.0	100.0	100.0	100.0	100.0	100.0	100.0
174.0	100.0	100.0	100.0	100.0	100.0	100.0	100.0	100.0	100.0
175.0	100.0	100.0	100.0	100.0	100.0	100.0	100.0	100.0	100.0

Chart #12

Design pressure for anchoring into metal structure with (2) or (4) anchors per clip

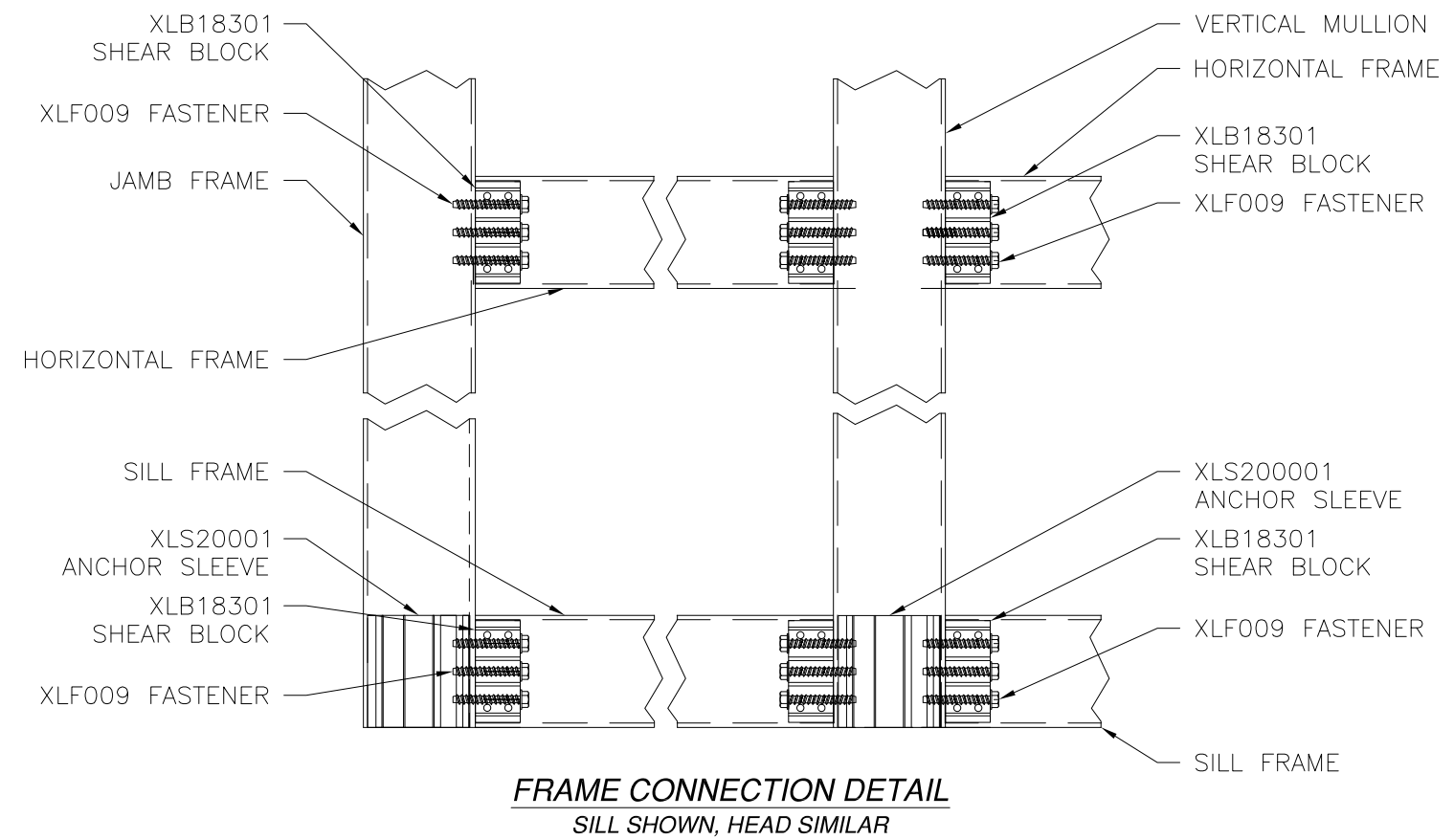
Frame Height (in)	Tributary width (in)								
	24.0	30.0	36.0	42.0	48.0	54.0	60.0	66.0	72.0
60.0	100.0	100.0	100.0	100.0	100.0	100.0	100.0	100.0	100.0
66.0	100.0	100.0	100.0	100.0	100.0	100.0	100.0	100.0	100.0
72.0	100.0	100.0	100.0	100.0	100.0	100.0	100.0	100.0	100.0
78.0	100.0	100.0	100.0	100.0	100.0	100.0	100.0	100.0	100.0
84.0	100.0	100.0	100.0	100.0	100.0	100.0	100.0	100.0	100.0
90.0	100.0	100.0	100.0	100.0	100.0	100.0	100.0	100.0	100.0
96.0	100.0	100.0	100.0	100.0	100.0	100.0	100.0	100.0	100.0
102.0	100.0	100.0	100.0	100.0	100.0	100.0	100.0	100.0	100.0
108.0	100.0	100.0	100.0	100.0	100.0	100.0	100.0	100.0	100.0
114.0	100.0	100.0	100.0	100.0	100.0	100.0	100.0	100.0	100.0
120.0	100.0	100.0	100.0	100.0	100.0	100.0	100.0	100.0	100.0
126.0	100.0	100.0	100.0	100.0	100.0	100.0	100.0	100.0	100.0
132.0	100.0	100.0	100.0	100.0	100.0	100.0	100.0	100.0	100.0
138.0	100.0	100.0	100.0	100.0	100.0	100.0	100.0	100.0	100.0
144.0	100.0	100.0	100.0	100.0	100.0	100.0	100.0	100.0	100.0
150.0	100.0	100.0	100.0	100.0	100.0	100.0	100.0	100.0	100.0
156.0	100.0	100.0	100.0	100.0	100.0	100.0	100.0	100.0	100.0
162.0	100.0	100.0	100.0	100.0	100.0	100.0	100.0	100.0	100.0
168.0	100.0	100.0	100.0	100.0	100.0	100.0	100.0	100.0	100.0
174.0	100.0	100.0	100.0	100.0	100.0	100.0	100.0	100.0	100.0
175.0	100.0	100.0	100.0	100.0	100.0	100.0	100.0	100.0	100.0

Chart #13

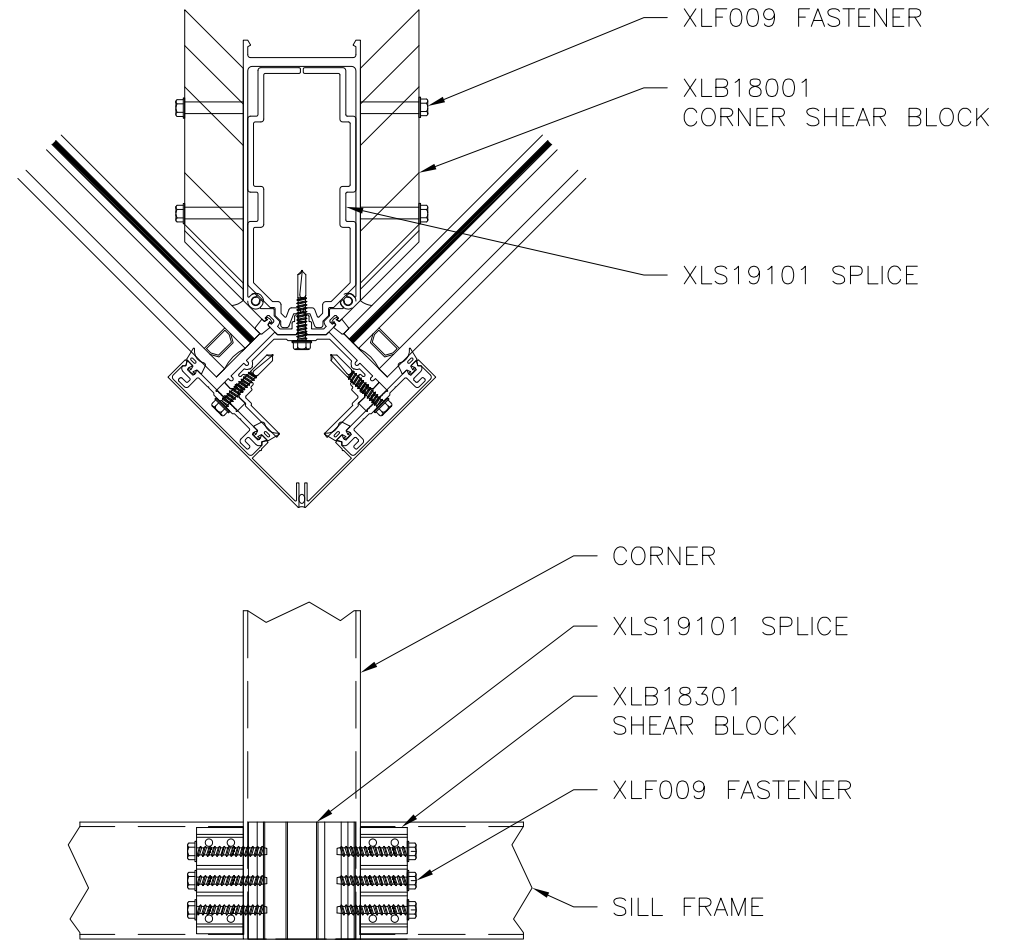
Design pressure for anchoring into concrete with (2) anchors per clip

Frame Height (in)	Tributary width (in)								
	24.0	30.0	36.0	42.0	48.0	54.0	60.0	66.0	72.0
60.0	100.0	100.0	100.0	100.0	100.0	100.0	100.0	100.0	100.0
66.0	100.0	100.0	100.0	100.0	100.0	100.0	100.0	100.0	100.0
72.0	100.0	100.0	100.0	100.0	100.0	100.0	100.0	100.0	100.0
78.0	100.0	100.0	100.0	100.0	100.0	100.0	100.0	100.0	100.0
84.0	100.0	100.0	100.0	100.0	100.0	100.0	100.0	100.0	100.0
90.0	100.0	100.0	100.0	100.0	100.0	100.0	100.0	100.0	100.0
96.0	100.0	100.0	100.0	100.0	100.0	100.0	100.0	100.0	100.0
102.0	100.0	100.0	100.0	100.0	100.0	100.0	100.0	100.0	100.0
108.0	100.0	100.0	100.0	100.0	100.0	100.0	100.0	100.0	100.0
114.0	100.0	100.0	100.0	100.0	100.0	100.0	100.0	100.0	100.0
120.0	100.0	100.0	100.0	100.0	100.0	100.0	100.0	100.0	100.0
126.0	100.0	100.0	100.0	100.0	100.0	100.0	100.0	100.0	100.0
132.0	100.0	100.0	100.0	100.0	100.0	100.0	100.0	100.0	100.0
138.0	100.0	100.0	100.0	100.0	100.0	100.0	100.0	100.0	96.8
144.0	100.0	100.0	100.0	100.0	100.0	100.0	100.0	100.0	92.8
150.0	100.0	100.0	100.0	100.0	100.0	100.0	100.0	97.2	89.1
156.0	100.0	100.0	100.0	100.0	100.0	100.0	100.0	93.4	85.6
162.0	100.0	100.0	100.0	100.0	100.0	100.0	99.0	90.0	82.5
168.0	100.0	100.0	100.0	100.0	100.0	100.0	95.4	86.8	79.5
174.0	100.0	100.0	100.0	100.0	100.0	100.0	92.1	83.8	76.8
175.0	100.0	100.0	100.0	100.0	100.0	100.0	91.6	83.3	76.3

REVISIONS			
REV	DESCRIPTION	DATE	APPROVED



FRAME CONNECTION DETAIL
SILL SHOWN, HEAD SIMILAR



CORNER FRAME CONNECTION DETAIL
SILL SHOWN, HEAD SIMILAR

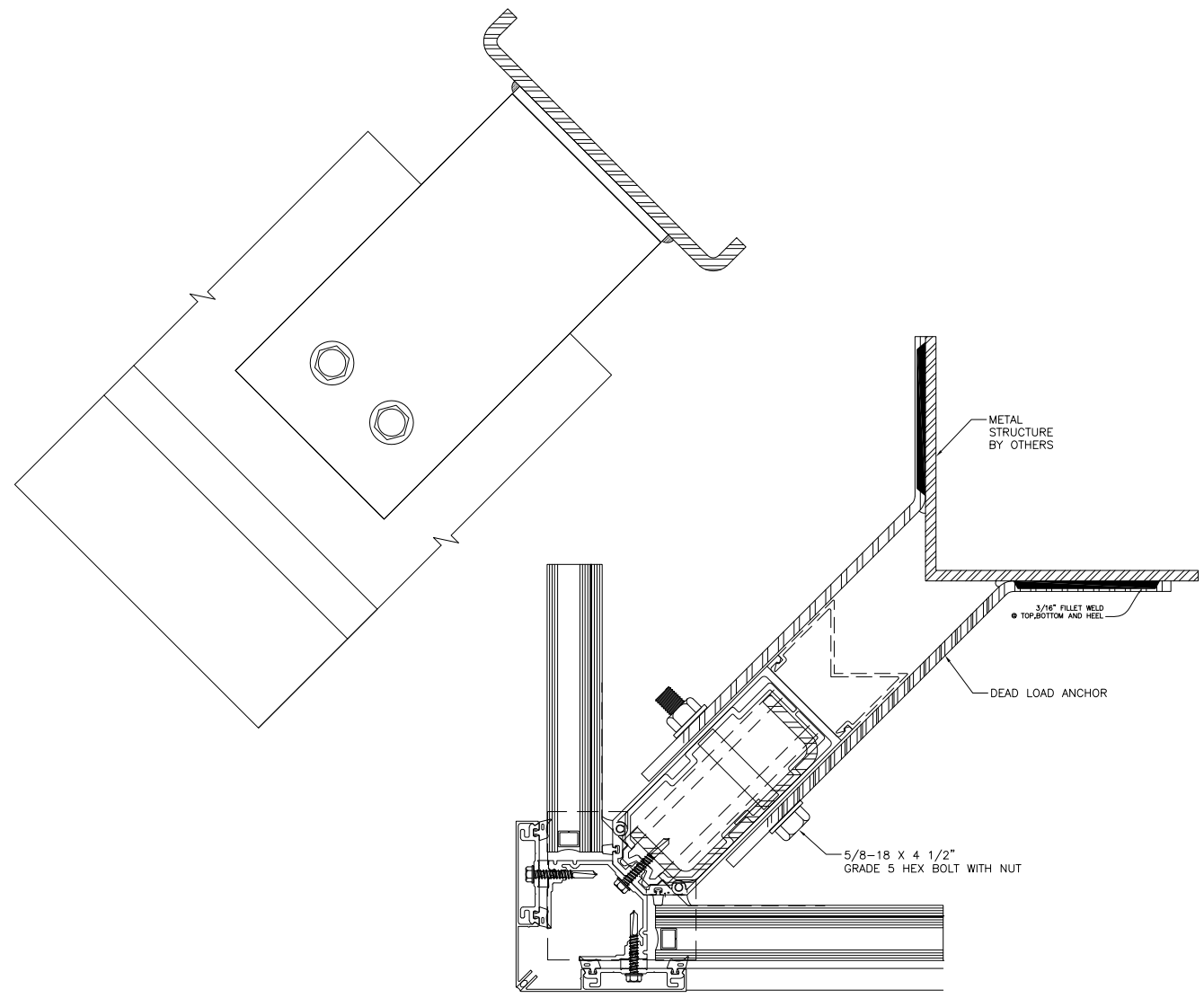
SIGNED: 09/16/2019

US ALUMINUM DIVISION OF C.R. LAURENCE CO., INC. 2503 E. VERNON AVE., LOS ANGELES, CA 90058		
STORMWALL XL HURRICANE RESISTANT CURTAIN WALL – WET GLAZED – SMI INSTALLATION DETAILS		
DRAWN: R.L.	DWG NO. 08-03025	REV -
SCALE NTS	DATE 12/07/16	SHEET 20 OF 24
L. ROBERTO LOMAS P.E. 1432 WOODFORD RD LEWISVILLE, NC 27023 434-688-0609 rllomas@rlomaspe.com		

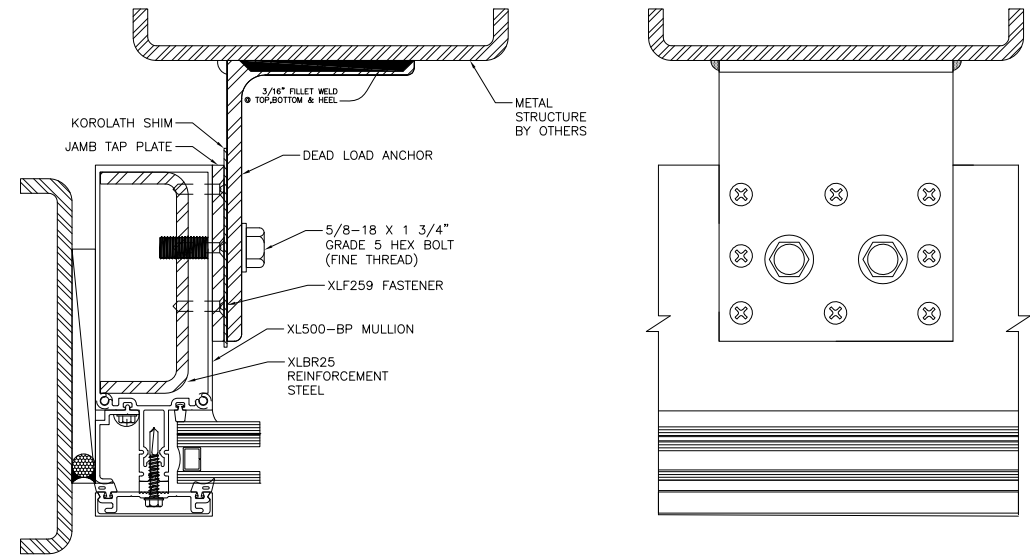


Luis R. Lomas P.E.
TX No.: 101889

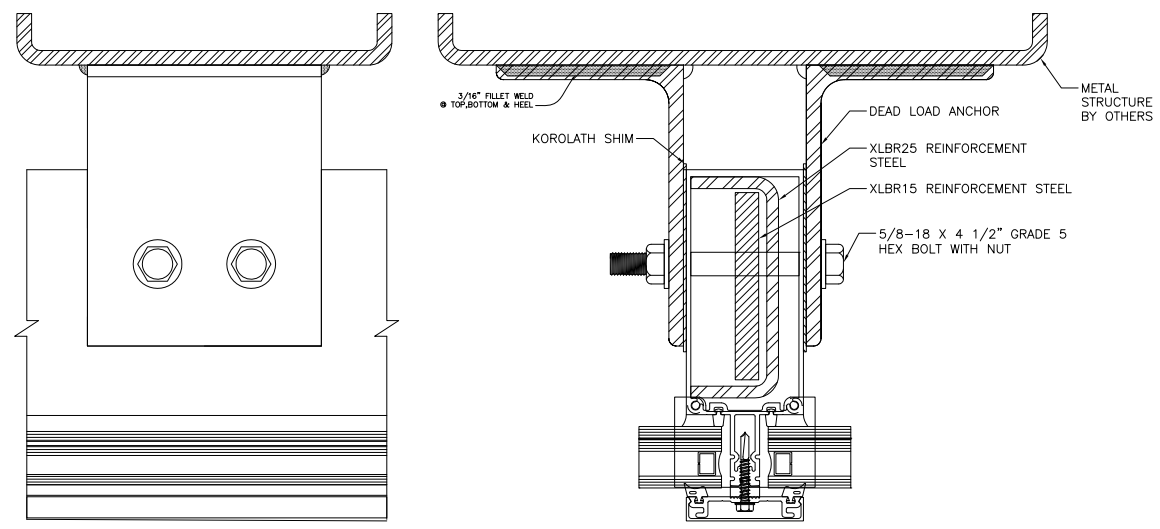
REVISIONS			
REV	DESCRIPTION	DATE	APPROVED



**CORNER DEAD LOAD ANCHORS
AT MIDSPAN DETAIL**



**JAMB DEAD LOAD ANCHORS
AT MIDSPAN DETAIL**



**MULLION DEAD LOAD ANCHORS
AT MIDSPAN DETAIL**

US ALUMINUM
 DIVISION OF C.R. LAURENCE CO., INC.
 2503 E. VERNON AVE., LOS ANGELES, CA 90058

STORMWALL XL HURRICANE RESISTANT
 CURTAIN WALL – WET GLAZED – SMI
 INSTALLATION DETAILS

DRAWN: R.L.	DWG NO. 08-03025	REV -
SCALE NTS	DATE 12/07/16	SHEET 21 OF 24

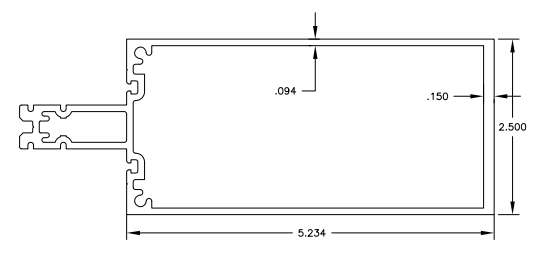
L. ROBERTO LOMAS P.E.
 1432 WOODFORD RD LEWISVILLE, NC 27023
 434-688-0609 rllomas@rlomaspe.com

SIGNED: 09/16/2019

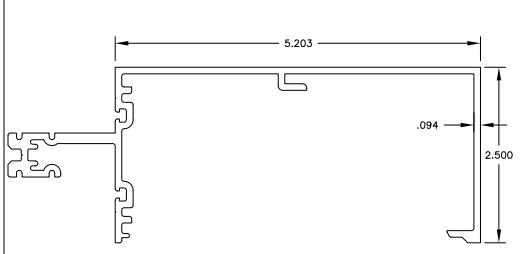


Luis R. Lomas P.E.
 TX No.: 101889

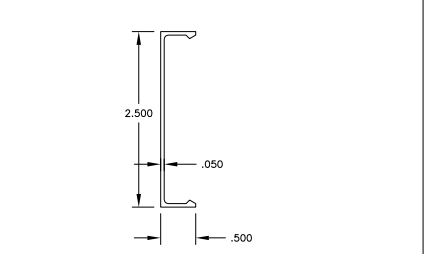
REVISIONS			
REV	DESCRIPTION	DATE	APPROVED



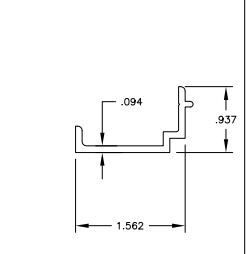
XL500-BP MULLION



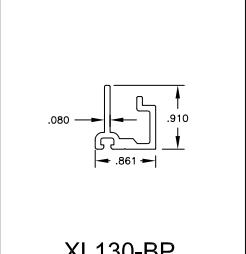
XL532-BP ROLL OVER HORIZONTAL



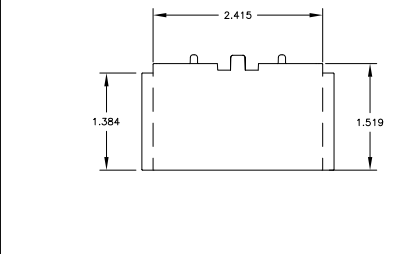
XL110-BP FACE CAP



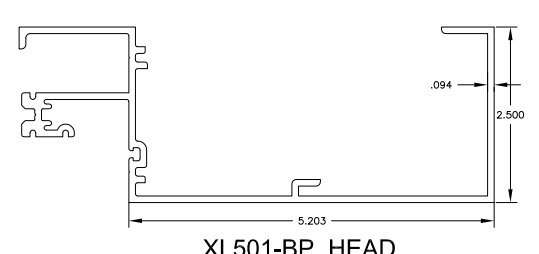
XL122-BP FILLER



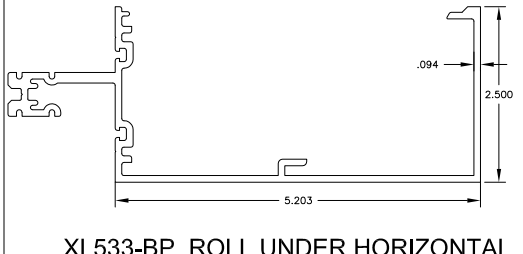
XL130-BP ADAPTOR



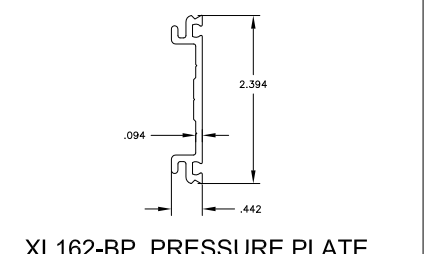
XLD350 SSG BRIDGE



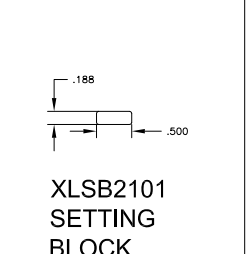
XL501-BP HEAD



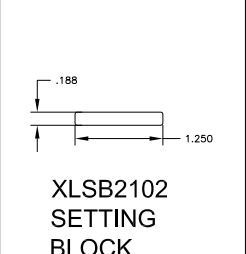
XL533-BP ROLL UNDER HORIZONTAL



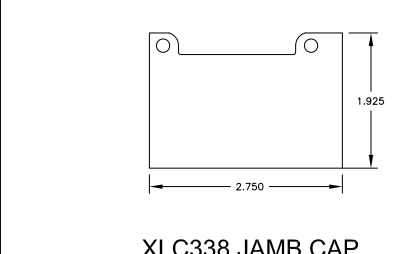
XL162-BP PRESSURE PLATE



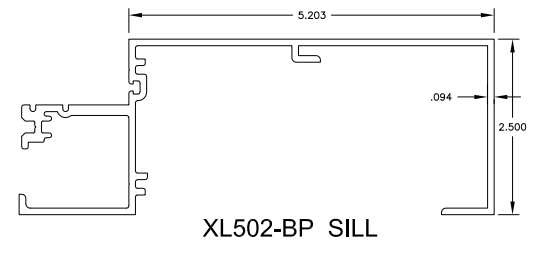
XLSB2101 SETTING BLOCK



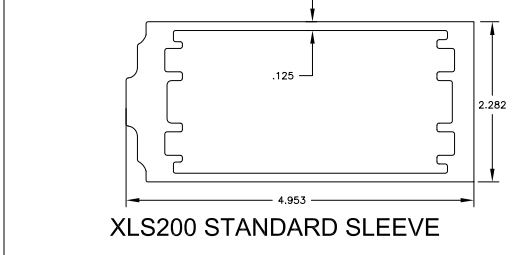
XLSB2102 SETTING BLOCK



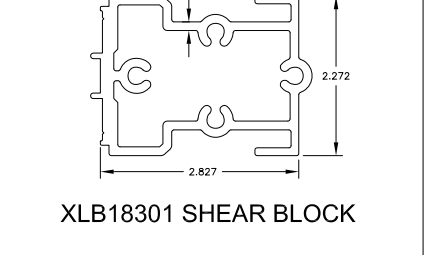
XLC338 JAMB CAP



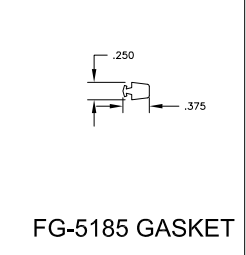
XL502-BP SILL



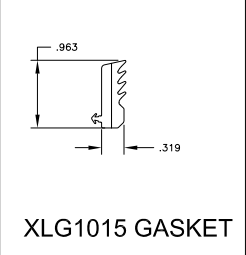
XLS200 STANDARD SLEEVE



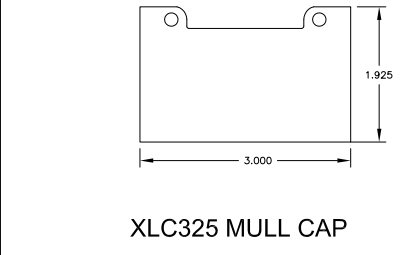
XLB18301 SHEAR BLOCK



FG-5185 GASKET



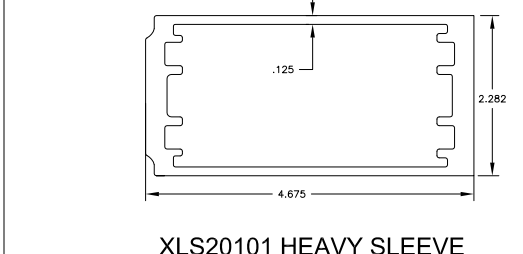
XLG1015 GASKET



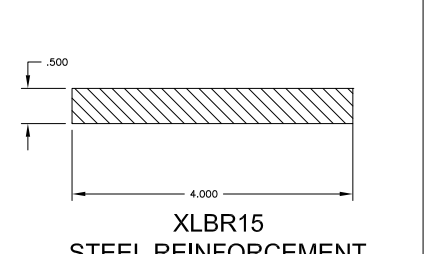
XLC325 MULL CAP



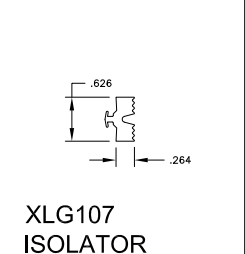
XL504-BP SSG MULLION



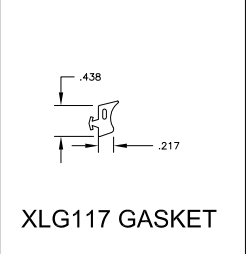
XLS20101 HEAVY SLEEVE



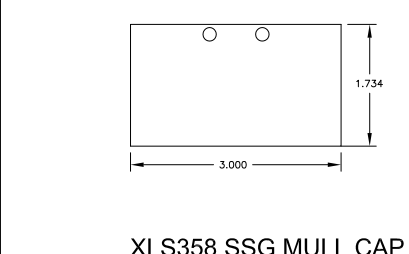
XLBR15 STEEL REINFORCEMENT



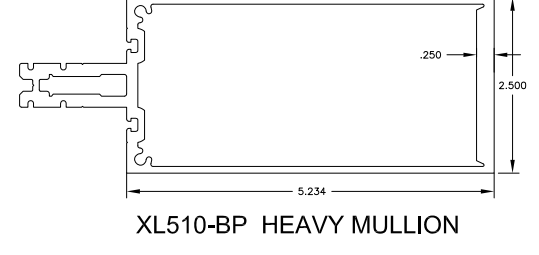
XLG107 ISOLATOR



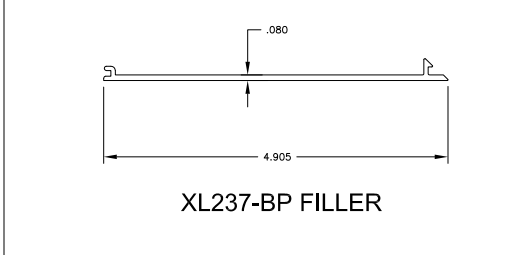
XLG117 GASKET



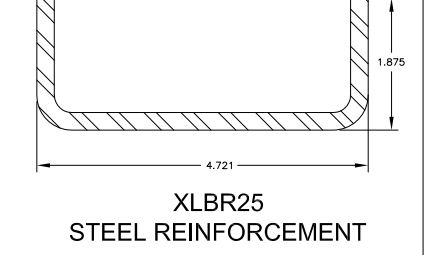
XLS358 SSG MULL CAP



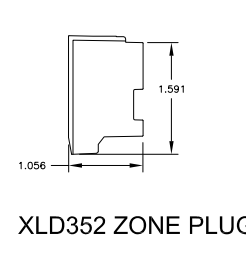
XL510-BP HEAVY MULLION



XL237-BP FILLER



XLBR25 STEEL REINFORCEMENT



XLD352 ZONE PLUG

SIGNED: 09/16/2019

US ALUMINUM
 DIVISION OF C.R. LAURENCE CO., INC.
 2503 E. VERNON AVE., LOS ANGELES, CA 90058

STORMWALL XL HURRICANE RESISTANT
 CURTAIN WALL – WET GLAZED – SMI
 COMPONENTS

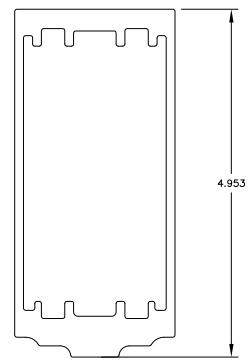
DRAWN: R.L.	DWG NO. 08-03025	REV -
SCALE NTS	DATE 12/07/16	SHEET 22 OF 24

L. ROBERTO LOMAS P.E.
 1432 WOODFORD RD LEWISVILLE, NC 27023
 434-688-0609 rllomas@rlomaspe.com

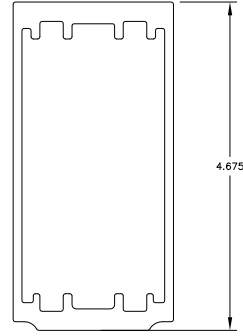


Luis R. Lomas P.E.
 TX No.: 101889

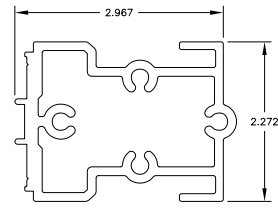
REVISIONS			
REV	DESCRIPTION	DATE	APPROVED



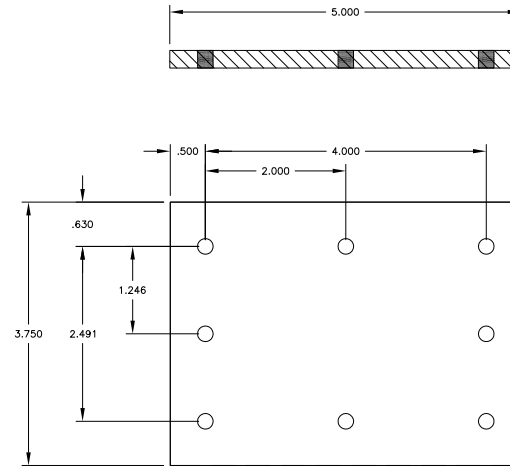
XLS20001
STANDARD ANCHOR SLEEVE



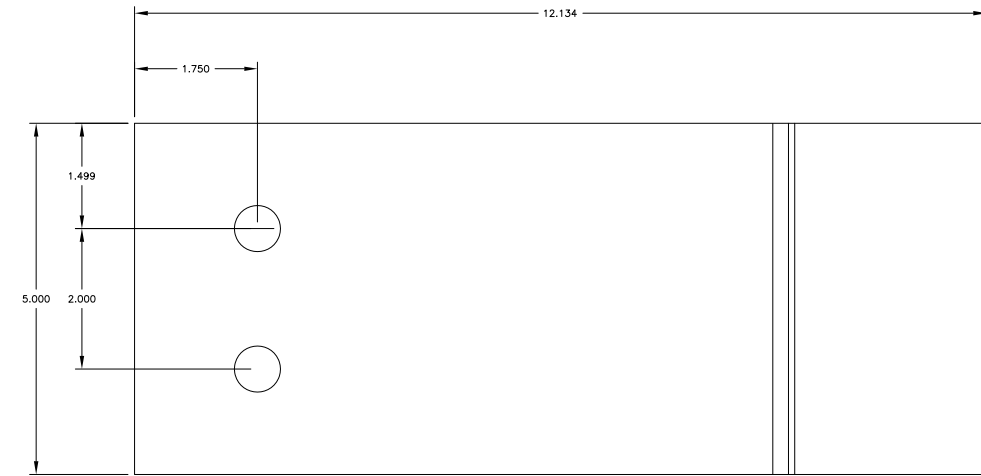
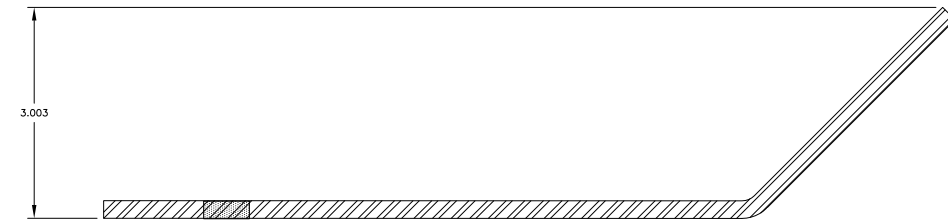
XLS20101 HEAVY
ANCHOR SLEEVE



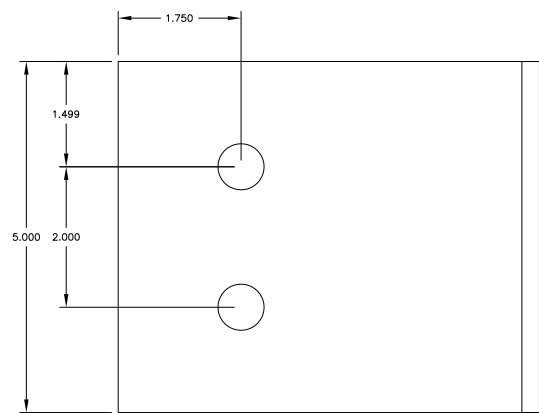
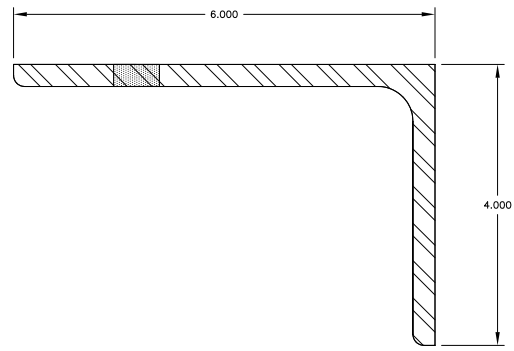
XLB18301
SHEAR BLOCK



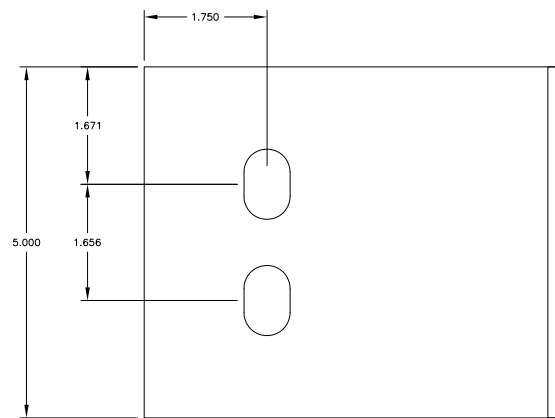
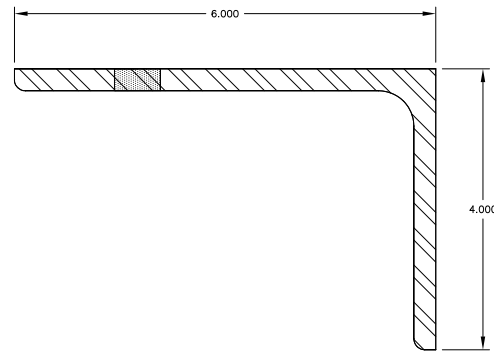
JAMB TAP PLATE
1/4" STEEL



CORNER DEAD LOAD
ANCHOR
5/16" STEEL ANGLE



DEAD LOAD ANCHOR
5/16" STEEL ANGLE



WIND LOAD ANCHOR
5/16" STEEL ANGLE

US ALUMINUM
DIVISION OF C.R. LAURENCE CO., INC.
2503 E. VERNON AVE., LOS ANGELES, CA 90058

STORMWALL XL HURRICANE RESISTANT
CURTAIN WALL – WET GLAZED – SMI
COMPONENTS

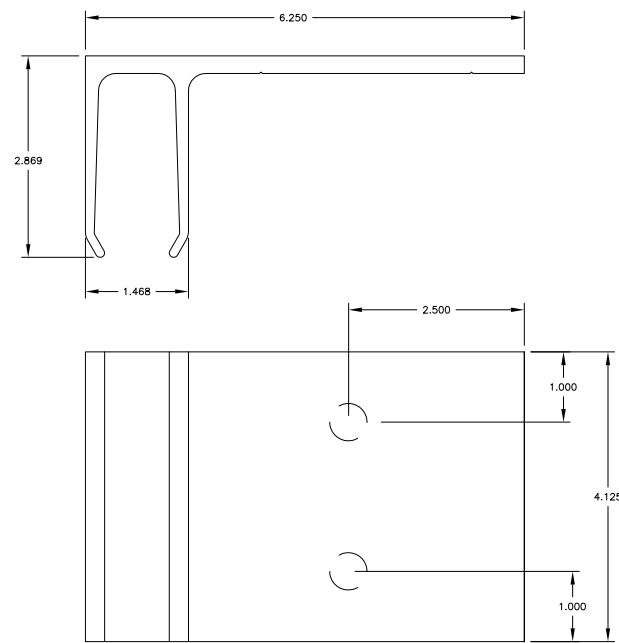
DRAWN: R.L.	DWG NO. 08-03025	REV -
SCALE NTS	DATE 12/07/16	SHEET 23 OF 24

L. ROBERTO LOMAS P.E.
1432 WOODFORD RD LEWISVILLE, NC 27023
434-688-0609 rllomas@rlomaspe.com

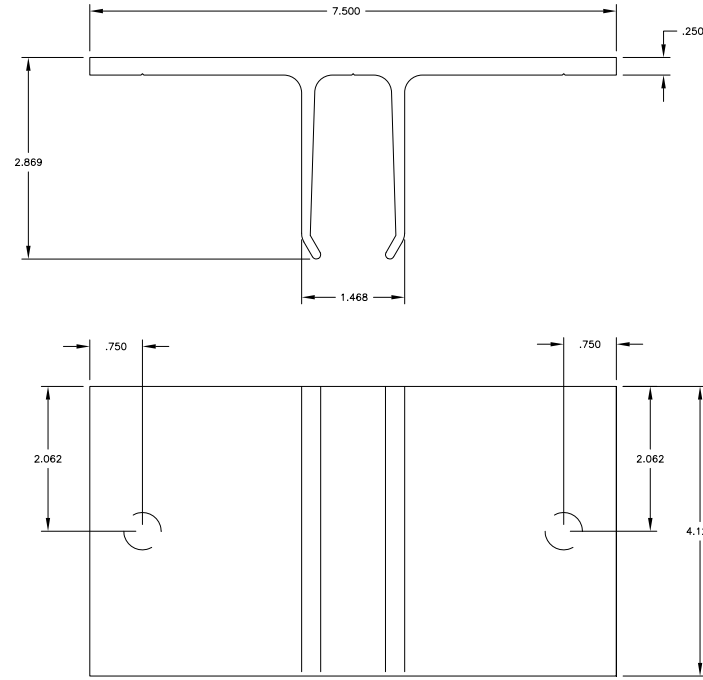
SIGNED: 09/16/2019



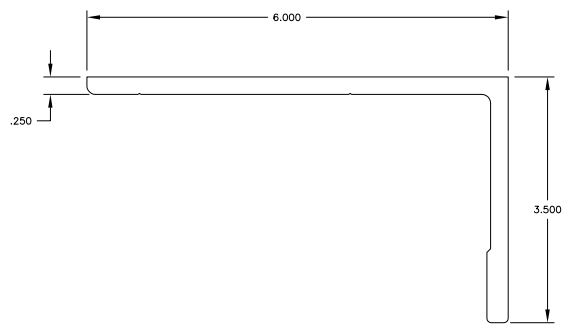
Luis R. Lomas P.E.
TX No.: 101889



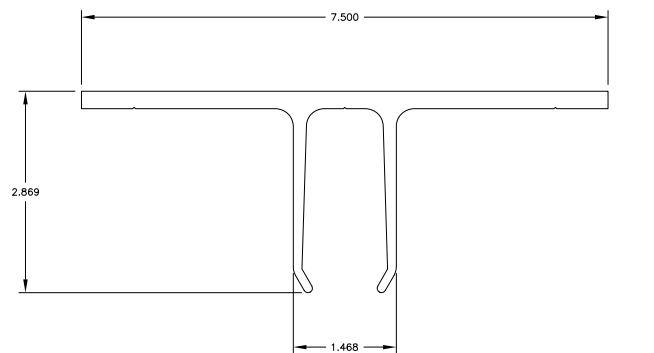
XLA10301 "F" ANCHOR CLIP
6063-T6 ALUMINUM



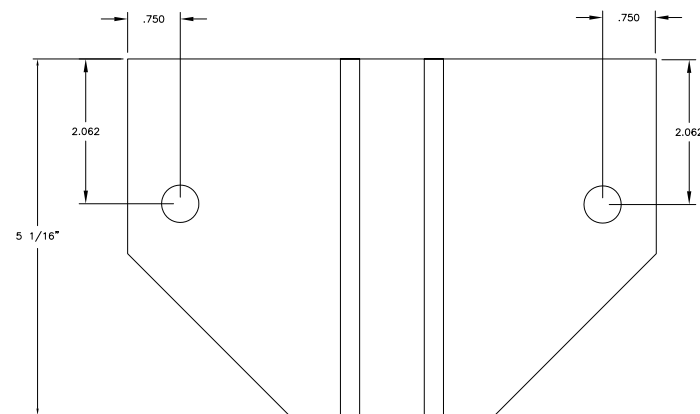
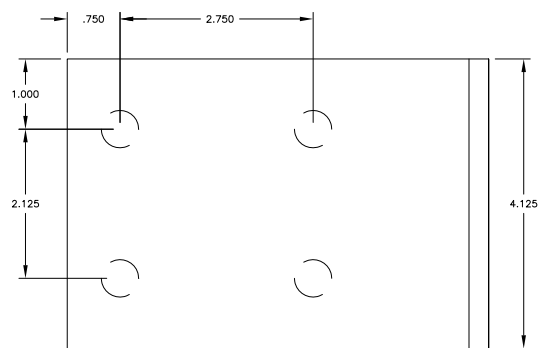
XLA10501 "T" ANCHOR CLIP
6063-T6 ALUMINUM



XLA17401 "L" ANCHOR CLIP
6063-T6 ALUMINUM



XLA10503 CORNER "T" ANCHOR CLIP
6063-T6 ALUMINUM



REVISIONS			
REV	DESCRIPTION	DATE	APPROVED

US ALUMINUM DIVISION OF C.R. LAURENCE CO., INC. 2503 E. VERNON AVE., LOS ANGELES, CA 90058		
STORMWALL XL HURRICANE RESISTANT CURTAIN WALL – WET GLAZED – SMI COMPONENTS		
DRAWN: R.L.	DWG NO. 08-03025	REV -
SCALE NTS	DATE 12/07/16	SHEET 24 OF 24
L. ROBERTO LOMAS P.E. 1432 WOODFORD RD LEWISVILLE, NC 27023 434-688-0609 rllomas@rlomaspe.com		

SIGNED: 09/16/2019



Luis R. Lomas P.E.
TX No.: 101889