

REVISIONS			
REV	DESCRIPTION	DATE	APPROVED

NOTES:

1. THE PRODUCT SHOWN HEREIN IS DESIGNED AND MANUFACTURED TO COMPLY WITH REQUIREMENTS OF THE 2006 IBC & 2006 IRC WITH STATE OF TEXAS MODIFICATIONS.
2. WOOD FRAMING AND MASONRY OPENING TO BE DESIGNED AND ANCHORED TO PROPERLY TRANSFER ALL LOADS TO STRUCTURE. FRAMING AND MASONRY OPENING IS THE RESPONSIBILITY OF THE ARCHITECT OR ENGINEER OF RECORD.
3. 1X BUCK OVER MASONRY/CONCRETE IS OPTIONAL. WHERE 1X BUCK IS NOT USED DISSIMILAR MATERIALS MUST BE SEPARATED WITH APPROVED COATING OR MEMBRANE. SELECTION OF COATING OR MEMBRANE IS THE RESPONSIBILITY OF THE ARCHITECT OR ENGINEER OF RECORD.
4. ALLOWABLE STRESS INCREASE OF 1/3 WAS NOT USED IN THE DESIGN OF THE PRODUCT SHOWN HEREIN. WIND LOAD DURATION FACTOR Cd=1.6 WAS USED FOR WOOD ANCHOR CALCULATIONS.
5. FRAME MATERIAL: EXTRUDED ALUMINUM.
6. UNITS MUST BE GLAZED PER ASTM E1300-04, SEE SHEET 2 FOR GLASS OPTIONS.
7. APPROVED IMPACT PROTECTIVE SYSTEM IS NOT REQUIRED FOR THIS PRODUCT IN WIND BORNE DEBRIS REGIONS.
8. SHIM AS REQUIRED AT EACH INSTALLATION ANCHOR WITH LOAD BEARING SHIM. SHIM WHERE SPACE OF 1/16" OR GREATER OCCURS. MAXIMUM ALLOWABLE SHIM STACK TO BE 1/4".
9. FOR ANCHORING INTO WOOD FRAMING OR 2X BUCK USE 3/8" LAG BOLTS WITH SUFFICIENT LENGTH TO ACHIEVE A 2" MINIMUM EMBEDMENT INTO SUBSTRATE WITH 1 1/2" MINIMUM EDGE DISTANCE. LOCATE ANCHORS AS SHOWN IN ELEVATIONS AND INSTALLATION DETAILS.
10. FOR ANCHORING INTO MASONRY/CONCRETE USE 3/8" CONCRETE ANCHORS WITH SUFFICIENT LENGTH TO ACHIEVE A 1 1/4" MINIMUM EMBEDMENT INTO SUBSTRATE WITH 2 1/2" MINIMUM EDGE DISTANCE. LOCATE ANCHORS AS SHOWN IN ELEVATIONS AND INSTALLATION DETAILS.
11. FOR ANCHORING INTO METAL STRUCTURE USE 3/8" SMS OR SELF DRILLING SCREWS WITH SUFFICIENT LENGTH TO ACHIEVE 3 THREADS MINIMUM BEYOND STRUCTURE INTERIOR WALL WITH 1 1/2" MINIMUM EDGE DISTANCE.. LOCATE ANCHORS AS SHOWN IN ELEVATIONS AND INSTALLATION DETAILS.
12. ALL FASTENERS TO BE CORROSION RESISTANT.
13. INSTALLATION ANCHORS SHALL BE INSTALLED IN ACCORDANCE WITH ANCHOR MANUFACTURER'S INSTALLATION INSTRUCTIONS AND ANCHORS SHALL NOT BE USED IN SUBSTRATES WITH STRENGTHS LESS THAN THE MINIMUM STRENGTH SPECIFIED BELOW:
  - A. WOOD – MINIMUM SPECIFIC GRAVITY OF G=0.42
  - B. CONCRETE – MINIMUM COMPRESSIVE STRENGTH OF 3,192 PSI.
  - C. METAL STRUCTURE: STEEL 16GA, 33KSI OR ALUMINUM 6063-T5 3/16" THICK MINIMUM
14. UNIT MAY BE INSTALLED USING 2" RAFTERS.

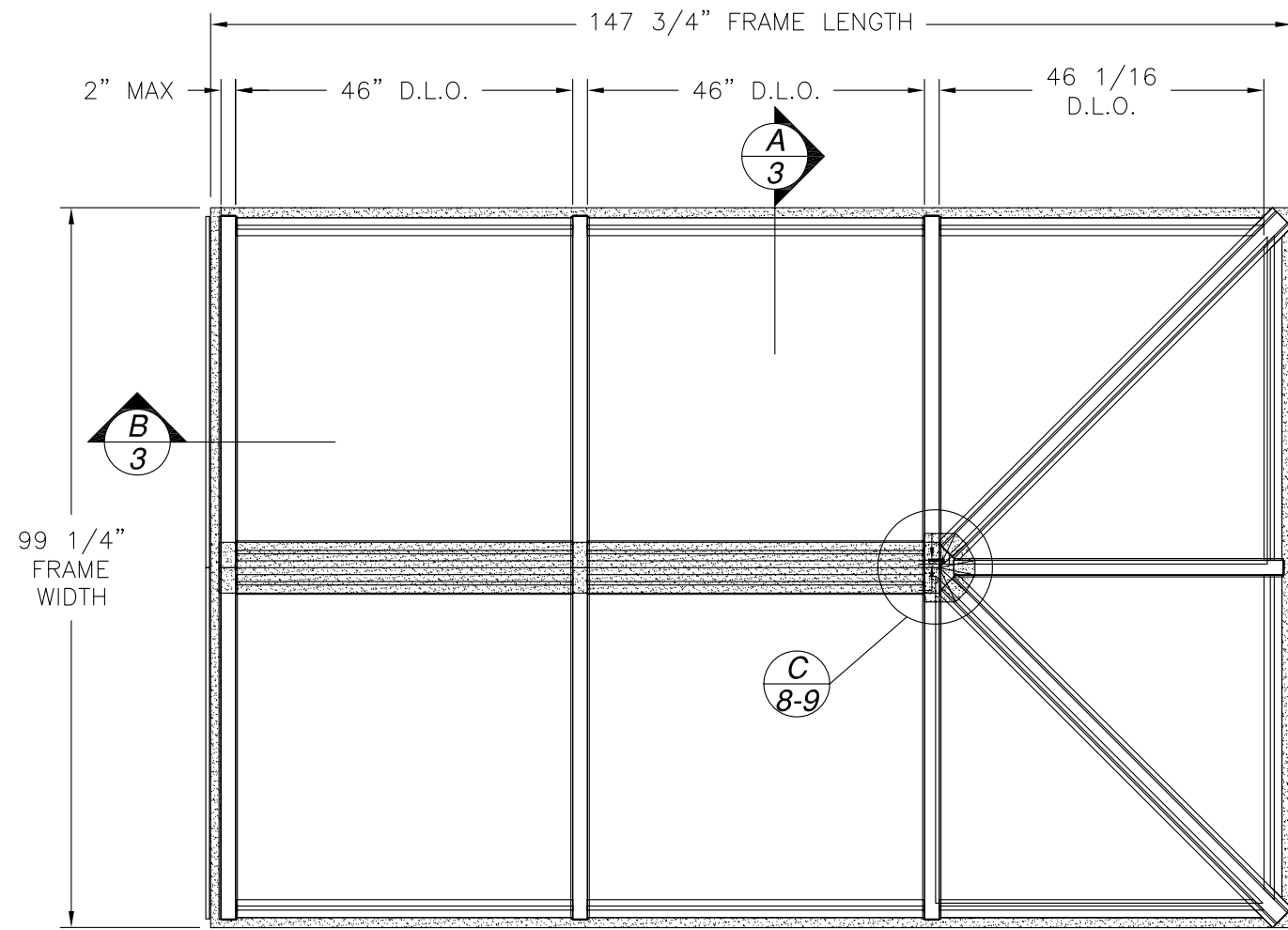
SIGNED: 03/24/2015

TABLE OF CONTENTS	
SHEET NO.	DESCRIPTION
1	NOTES
2	ELEVATIONS AND GLAZING DETAILS
3	APPROVED CONFIGURATIONS
4 - 13	INSTALLATION DETAILS

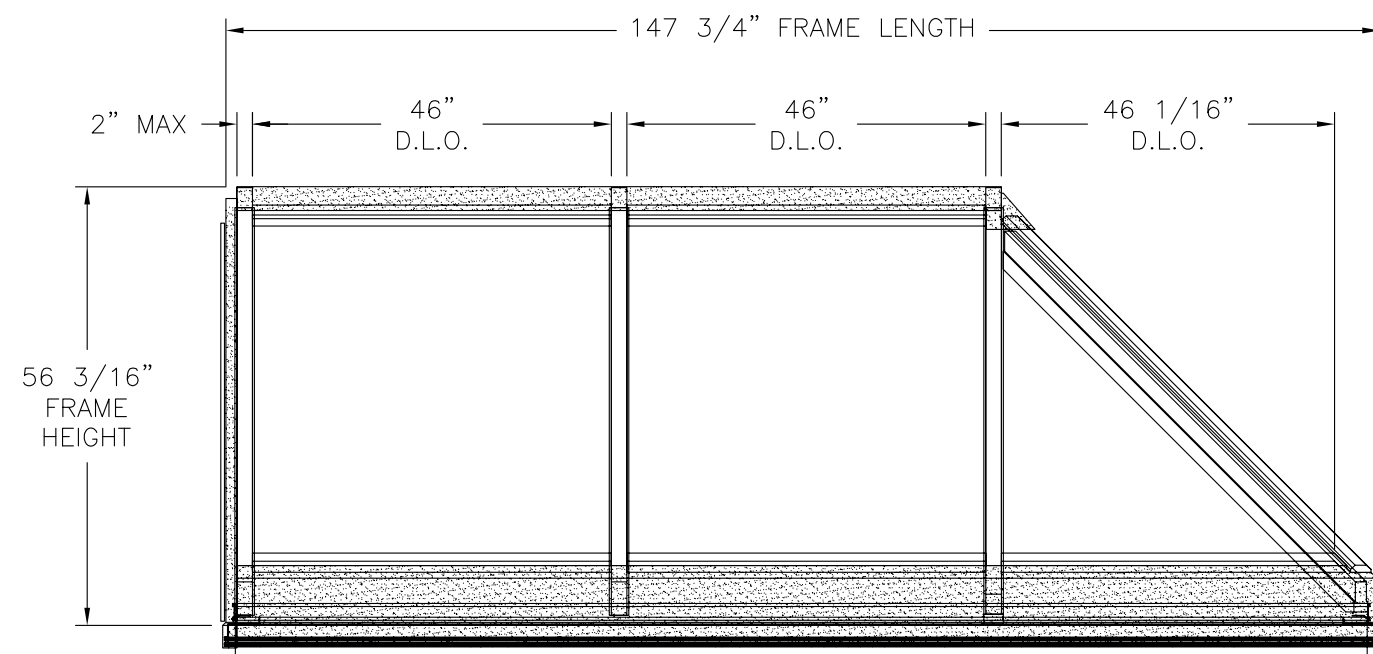
<b>SOLAR INNOVATIONS, INC.</b> 31 ROBERTS RD PINE GROVE, PA 17963		
SERIES SI 5600 PYRAMID SKYLIGHT IMPACT NOTES		
DRAWN: N.G.	DWG NO. 08-02658	REV -
SCALE NTS	DATE 03/24/15	SHEET 1 OF 13



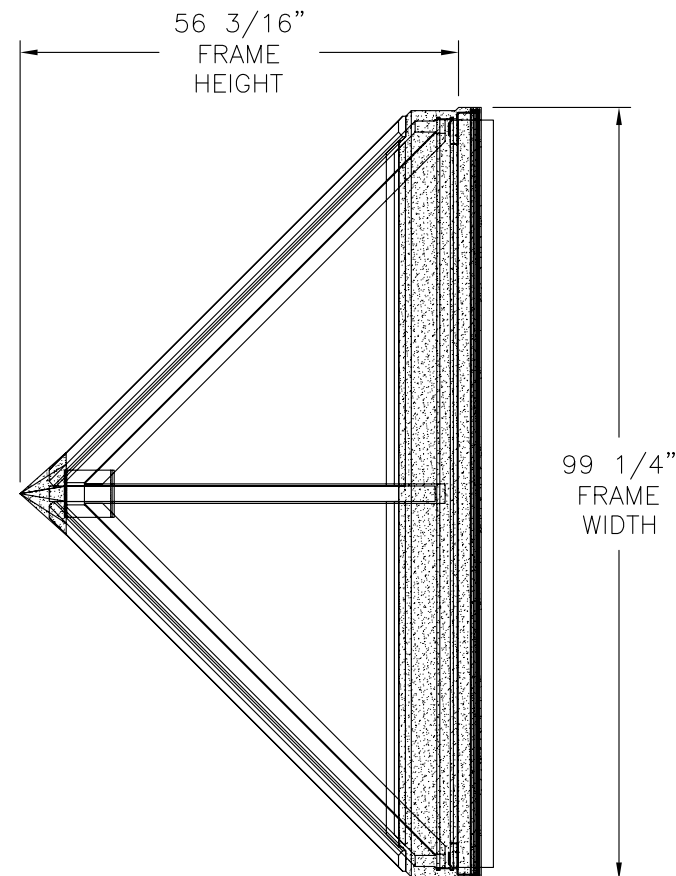
Luis R. Lomas P.E.  
Texas No. 101889



**SERIES SI 5600 PYRAMID SKYLIGHT**  
PLAN VIEW



**SIDE VIEW**

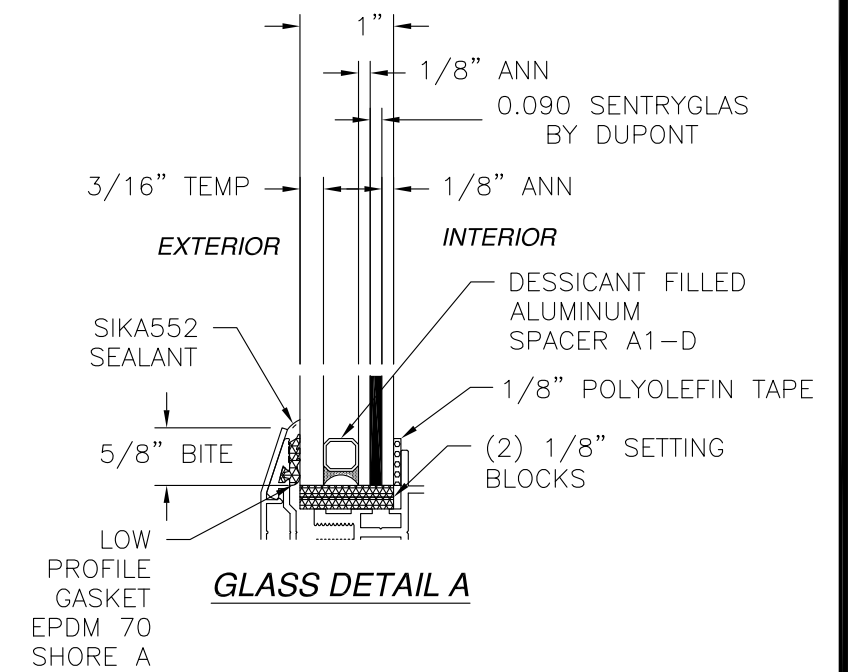


**FRONT VIEW**

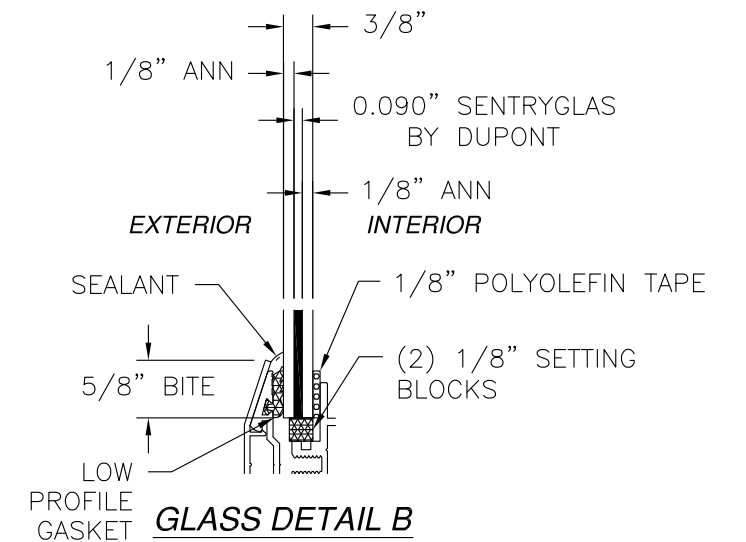
DESIGN PRESSURE RATING	IMPACT RATING
<b>±65.0PSF</b>	<b>LARGE AND SMALL MISSILE IMPACT</b>

MISSILE LEVEL D, WIND ZONE 4

REVISIONS			
REV	DESCRIPTION	DATE	APPROVED



**GLASS DETAIL A**



**GLASS DETAIL B**

SIGNED: 03/24/2015

**SOLAR INNOVATIONS, INC.**

31 ROBERTS RD  
PINE GROVE, PA 17963

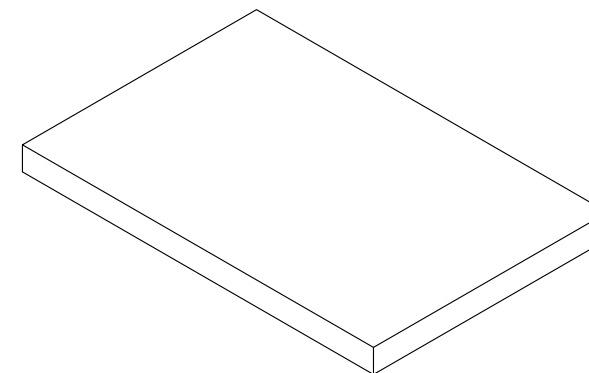
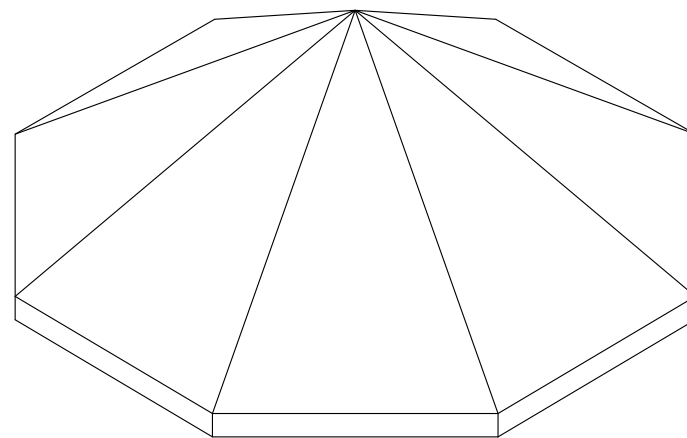
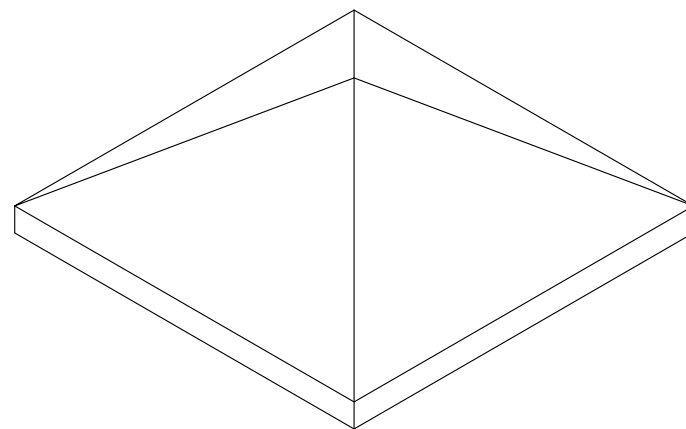
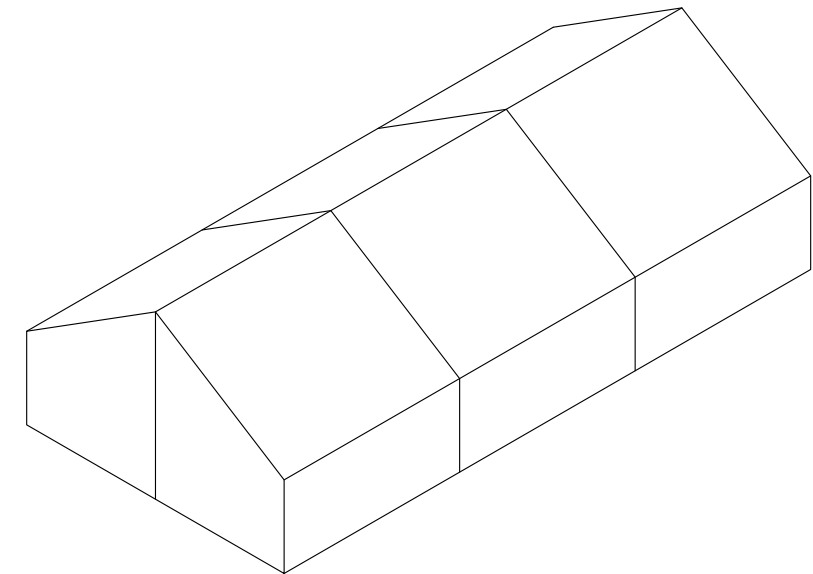
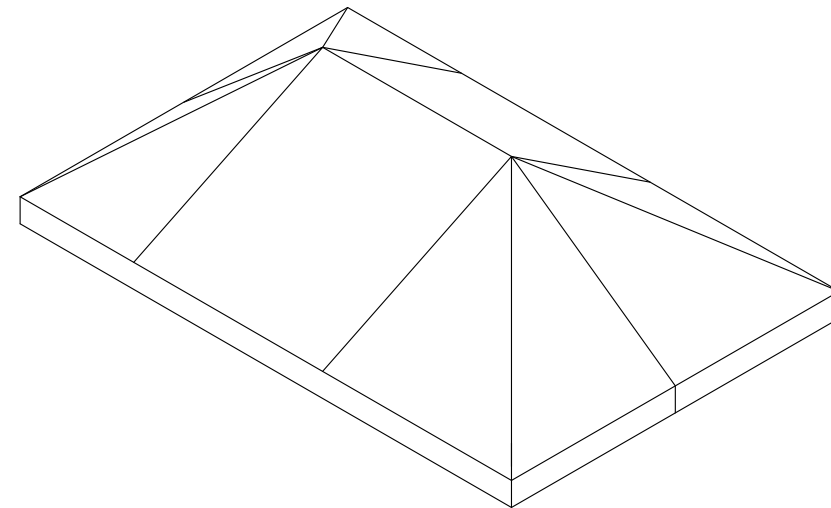
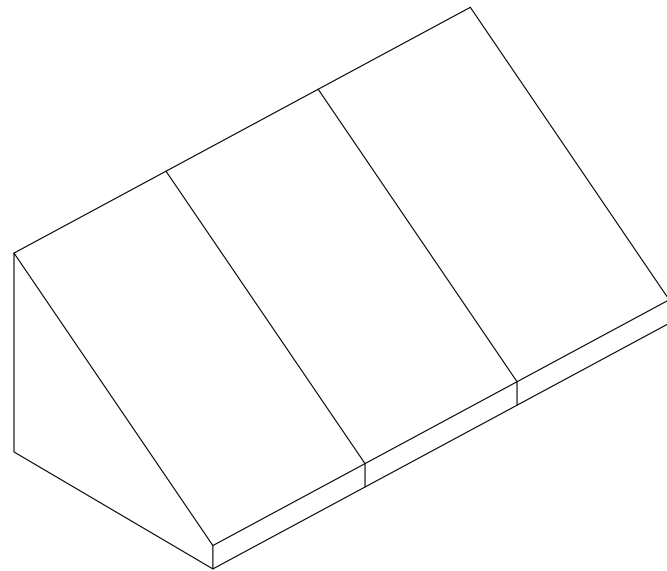
SERIES SI 5600 PYRAMID SKYLIGHT  
IMPACT  
ELEVATION AND GLAZING DETAIL

DRAWN: N.G.	DWG NO. 08-02658	REV -
SCALE NTS	DATE 03/24/15	SHEET 2 OF 13



Luis R. Lomas P.E.  
Texas No. 101889

REVISIONS			
REV	DESCRIPTION	DATE	APPROVED



SIGNED: 03/24/2015

SOLAR INNOVATIONS, INC.

31 ROBERTS RD  
PINE GROVE, PA 17963

SERIES SI 5600 PYRAMID SKYLIGHT  
IMPACT  
APPROVED CONFIGURATIONS

DRAWN:  
N.G.

DWG NO. 08-02658

REV  
-

SCALE NTS

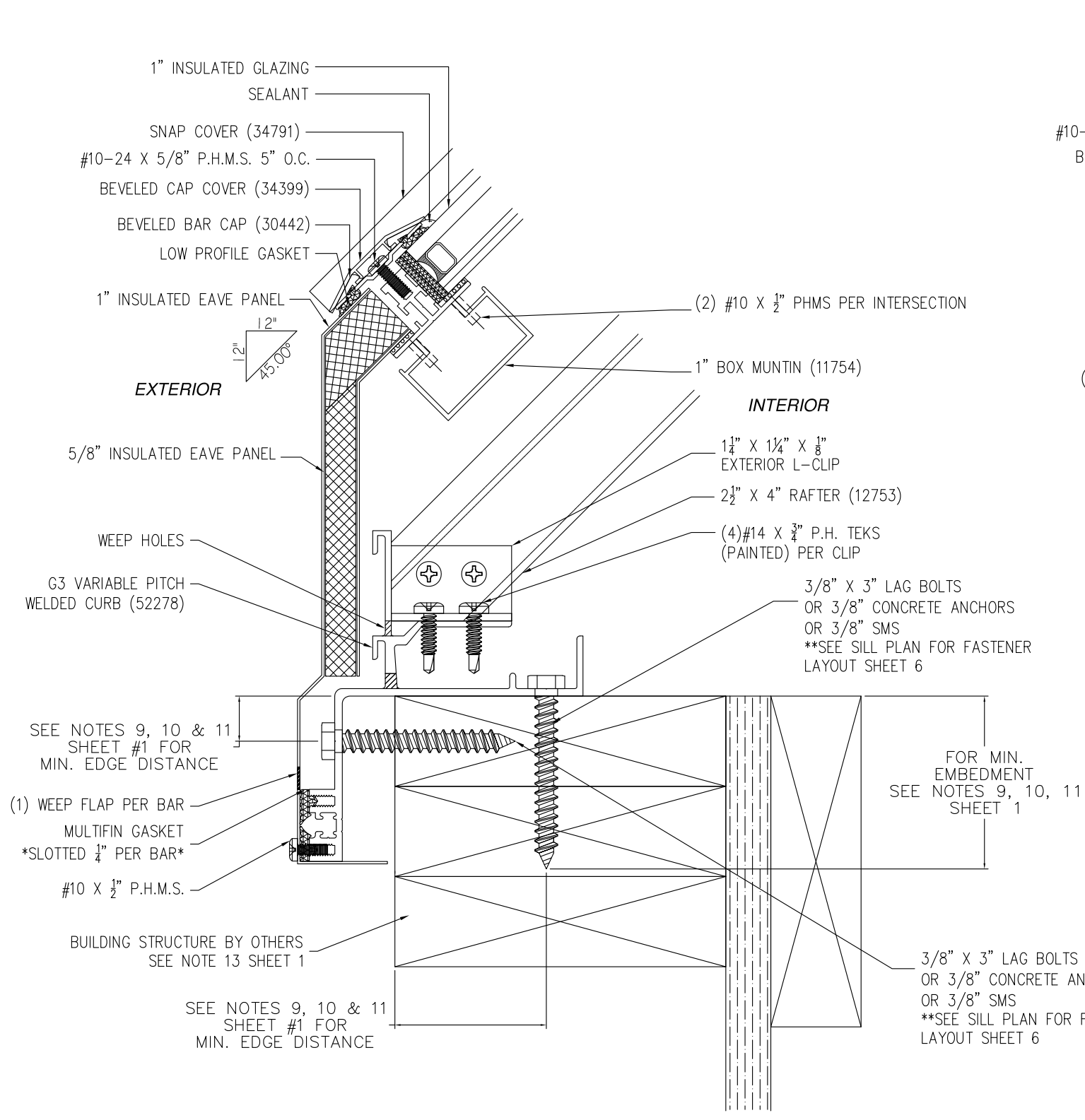
DATE 03/24/15

SHEET 3 OF 13

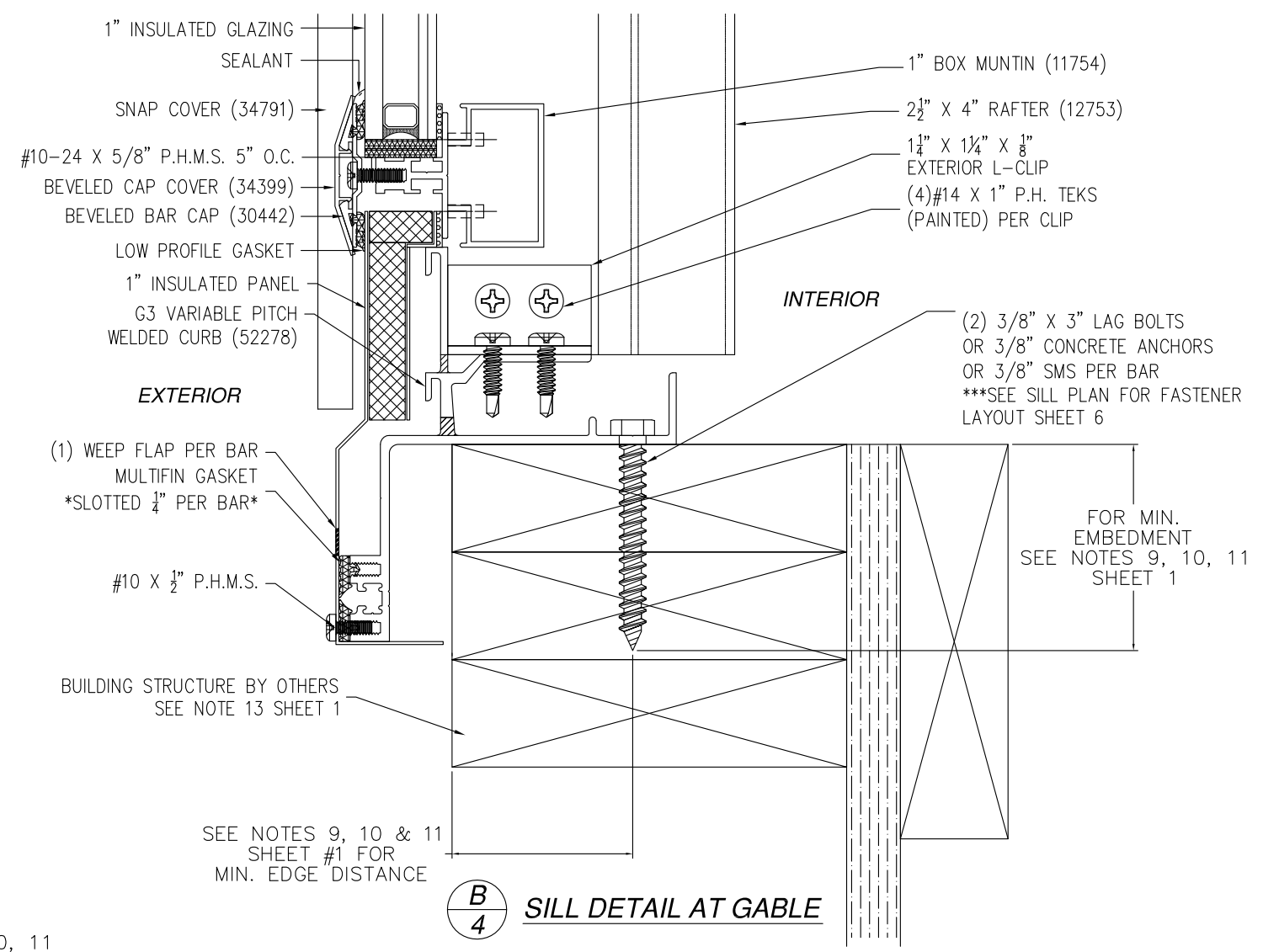


Luis R. Lomas P.E.  
Texas No. 101889

REVISIONS			
REV	DESCRIPTION	DATE	APPROVED



**A**  
4 SILL DETAIL



**B**  
4 SILL DETAIL AT GABLE

**SOLAR INNOVATIONS, INC.**  
 31 ROBERTS RD  
 PINE GROVE, PA 17963

**SERIES SI 5600 PYRAMID SKYLIGHT  
 IMPACT  
 INSTALLATION DETAILS**

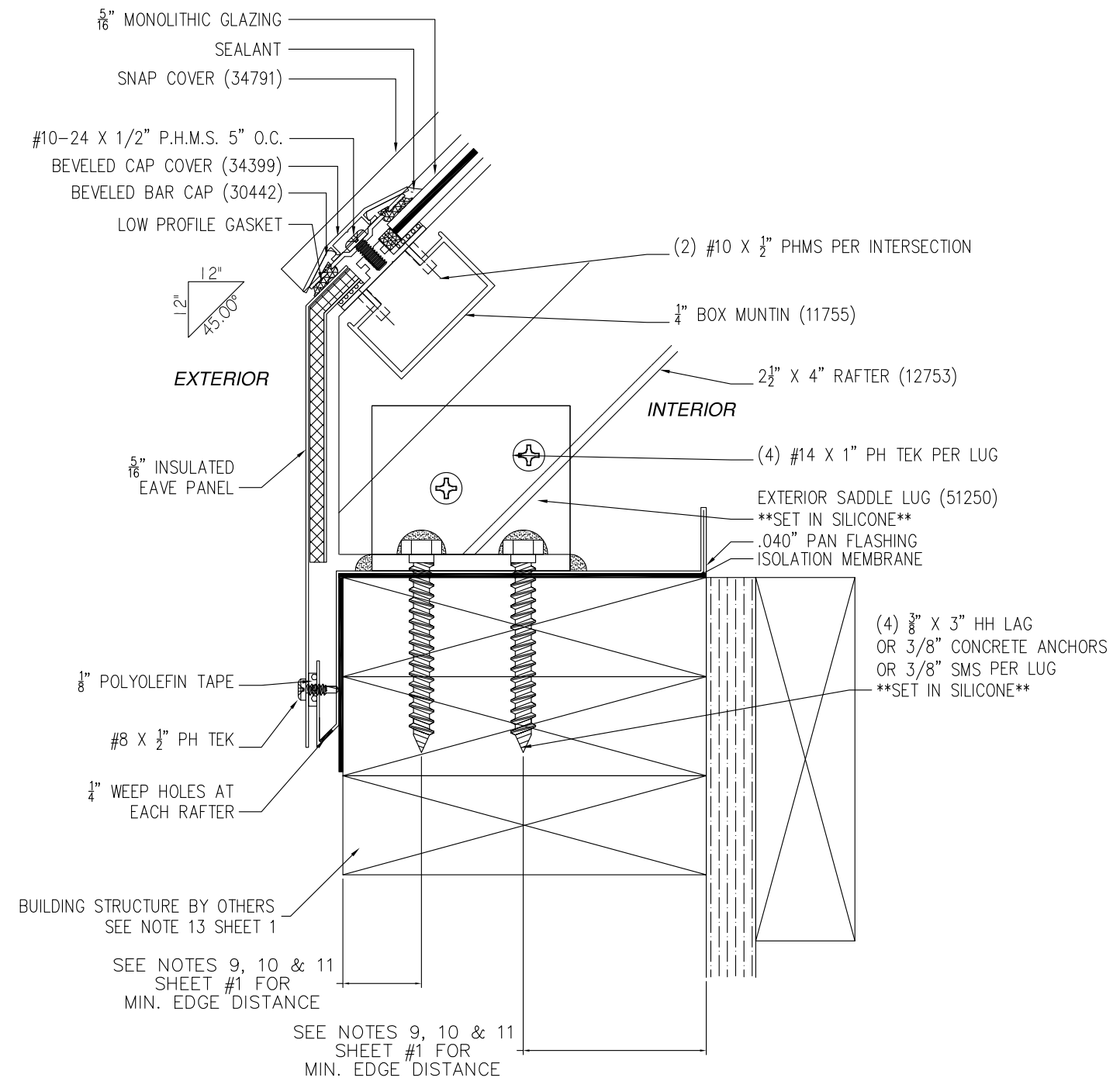
DRAWN: N.G.	DWG NO. 08-02658	REV -
SCALE NTS	DATE 03/24/15	SHEET 4 OF 13

SIGNED: 03/24/2015



Luis R. Lomas P.E.  
 Texas No. 101889

REVISIONS			
REV	DESCRIPTION	DATE	APPROVED



**SILL DETAIL**

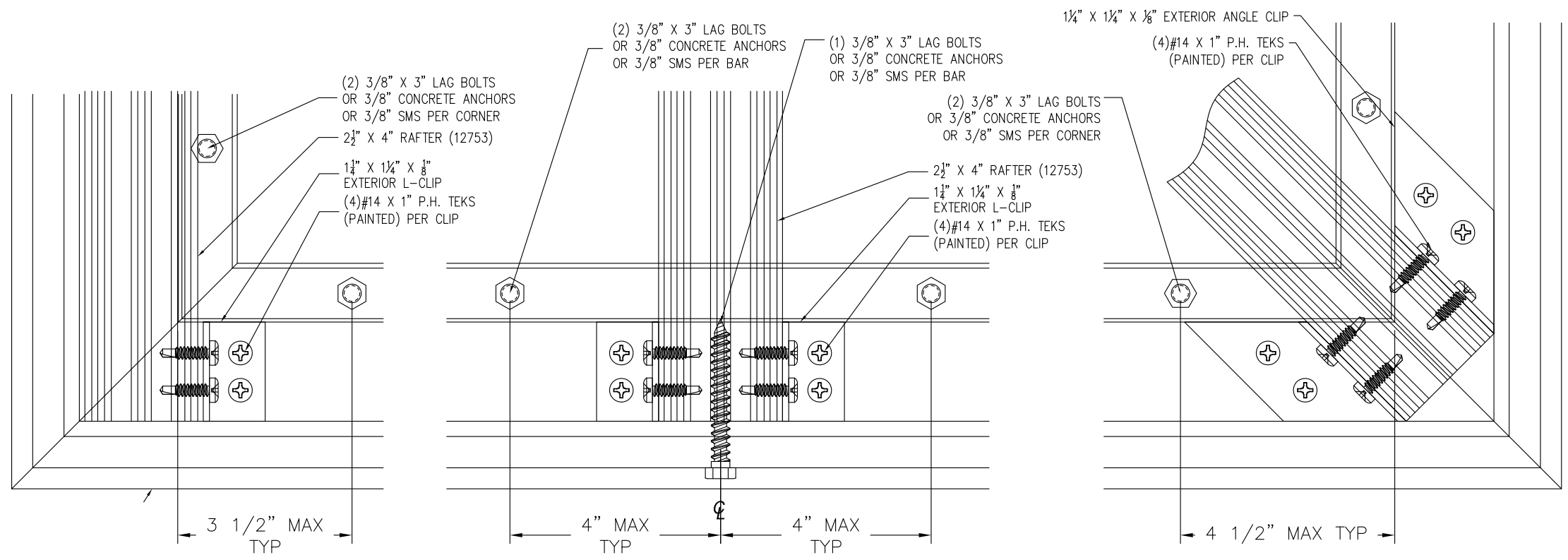
SIGNED: 03/24/2015

<b>SOLAR INNOVATIONS, INC.</b> 31 ROBERTS RD PINE GROVE, PA 17963		
SERIES SI 5600 PYRAMID SKYLIGHT IMPACT INSTALLATION DETAILS		
DRAWN: N.G.	DWG NO. 08-02658	REV -
SCALE NTS	DATE 03/24/15	SHEET 5 OF 13

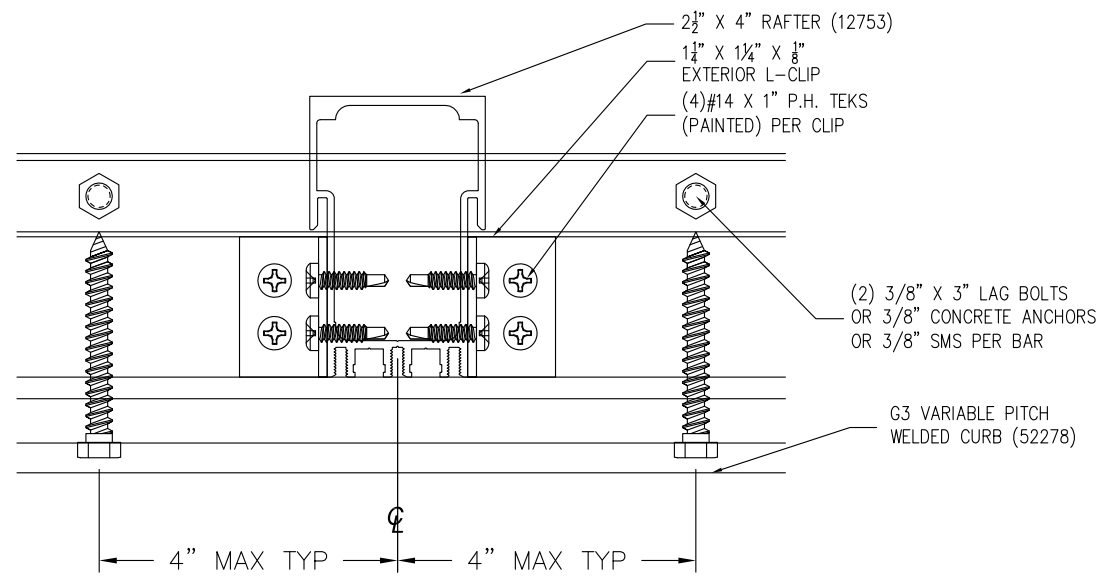


Luis R. Lomas P.E.  
Texas No. 101889

REVISIONS			
REV	DESCRIPTION	DATE	APPROVED



**SILL INSTALLATION DETAILS**



**GABLE SILL DETAILS**

**SOLAR INNOVATIONS, INC.**  
 31 ROBERTS RD  
 PINE GROVE, PA 17963

**SERIES SI 5600 PYRAMID SKYLIGHT  
 IMPACT  
 INSTALLATION DETAILS**

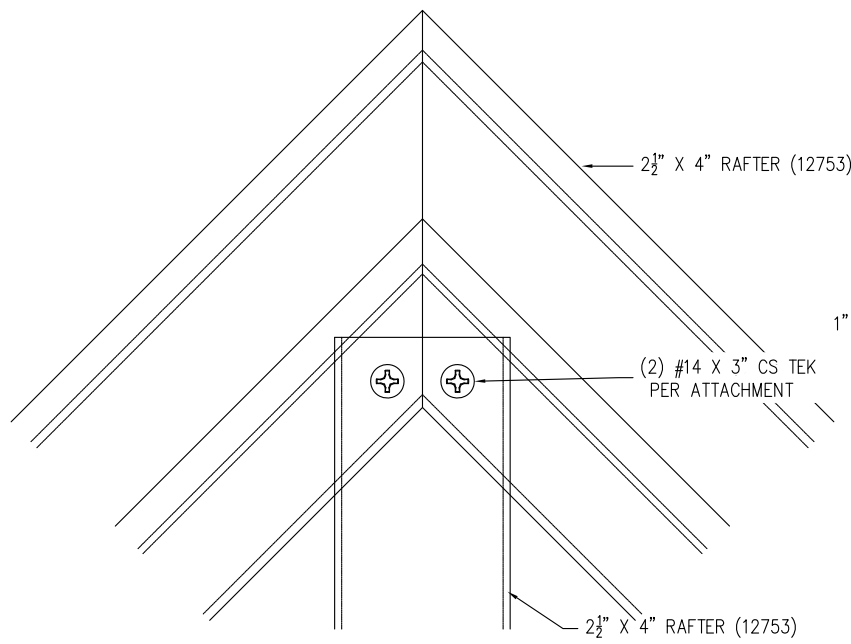
DRAWN: N.G.	DWG NO. 08-02658	REV -
SCALE NTS	DATE 03/24/15	SHEET 6 OF 13

SIGNED: 03/24/2015

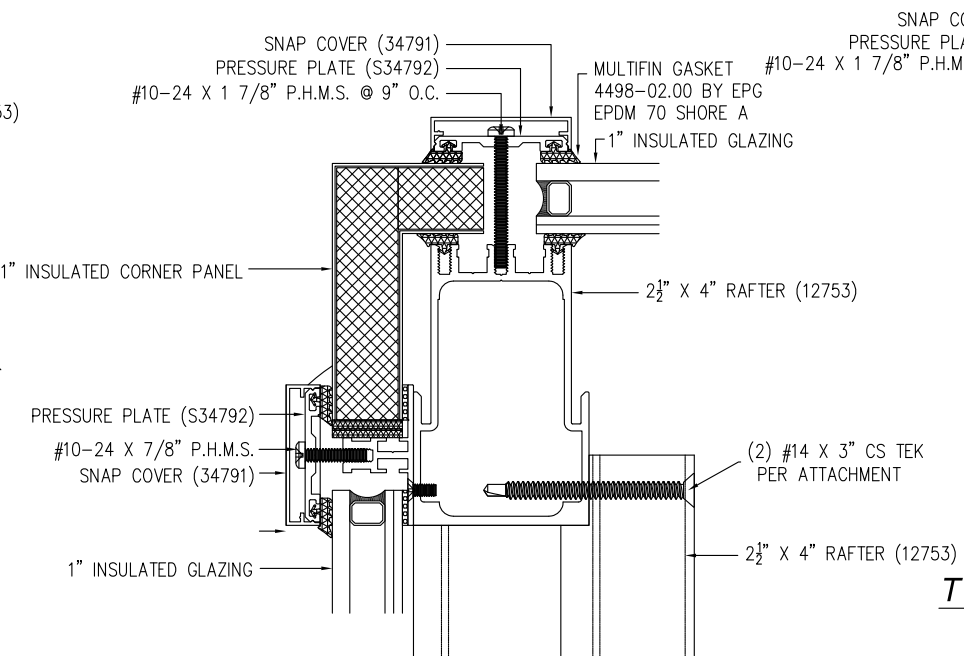


Luis R. Lomas P.E.  
 Texas No. 101889

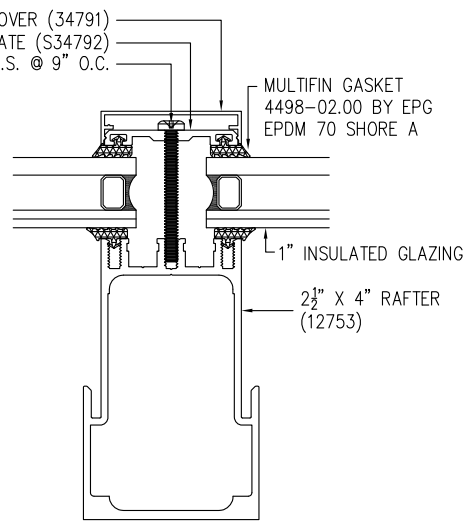
REVISIONS			
REV	DESCRIPTION	DATE	APPROVED



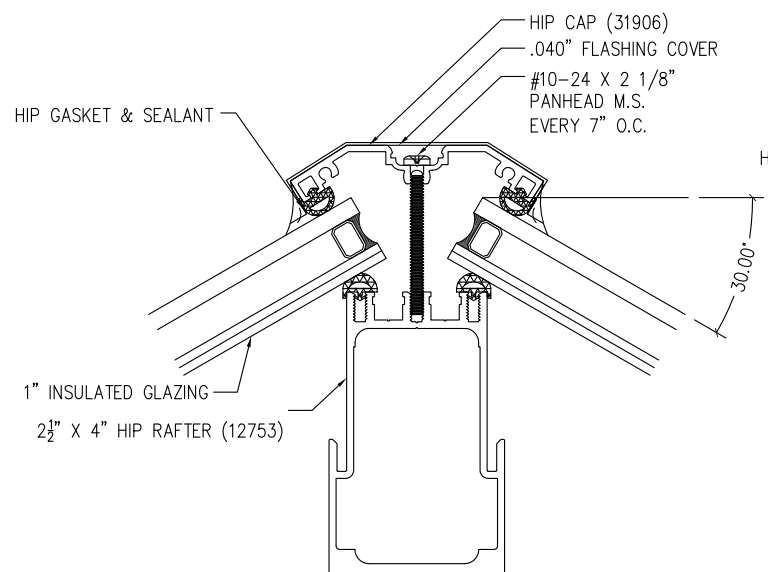
**GABLE RAFTER CONNECTION DETAIL**



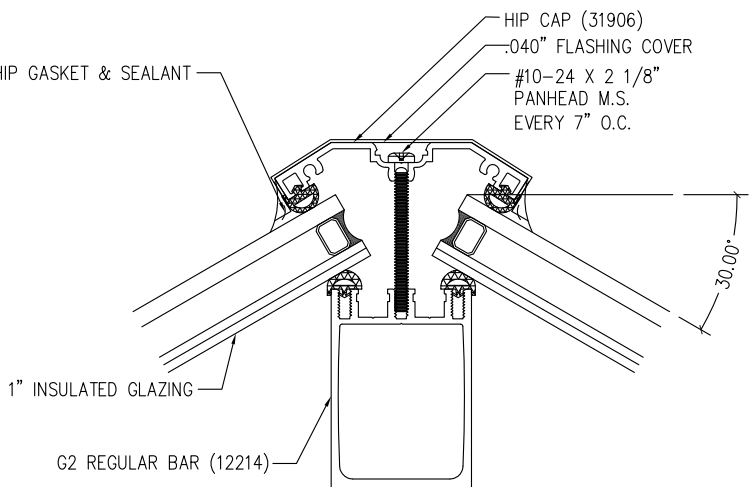
**GABLE RAFTER HEAD DETAIL**



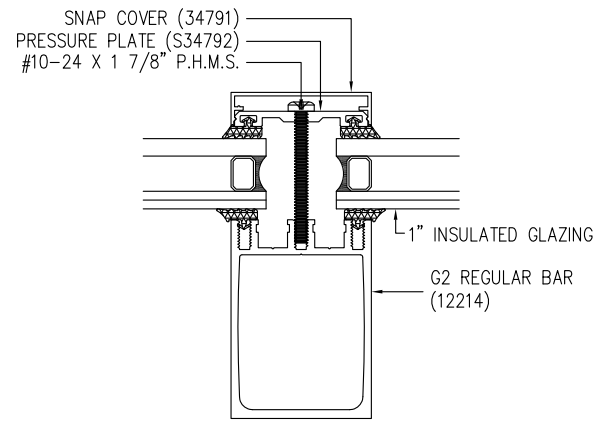
**TYPICAL RAFTER DETAIL**



**HIP RAFTER DETAIL**



**2\"/>**



**2\"/>**

**SOLAR INNOVATIONS, INC.**  
 31 ROBERTS RD  
 PINE GROVE, PA 17963

**SERIES SI 5600 PYRAMID SKYLIGHT  
 IMPACT  
 INSTALLATION DETAILS**

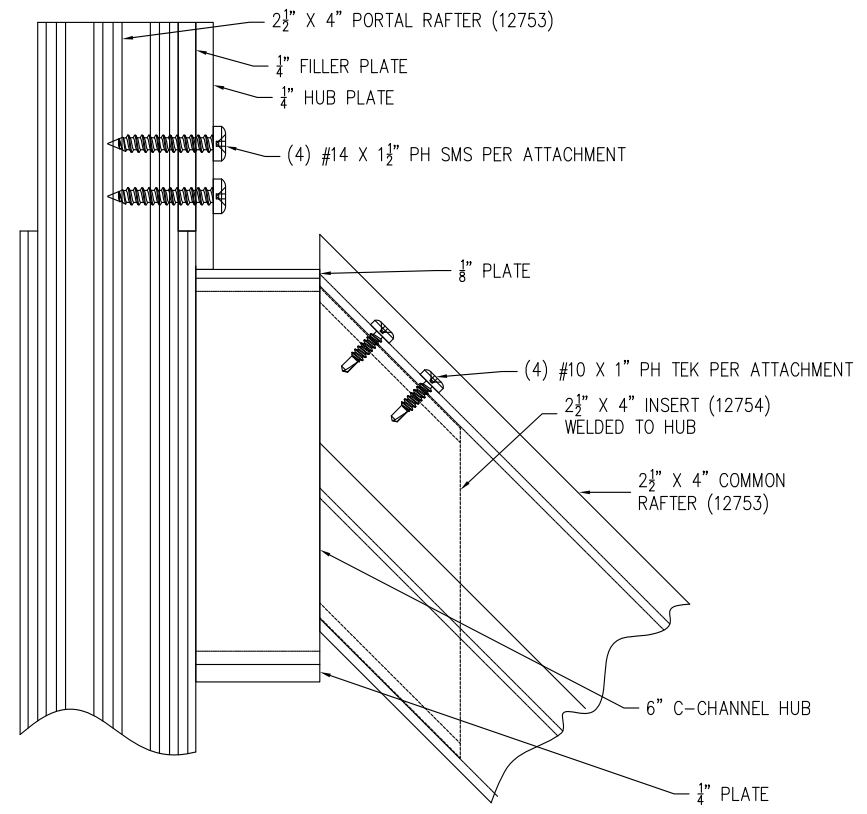
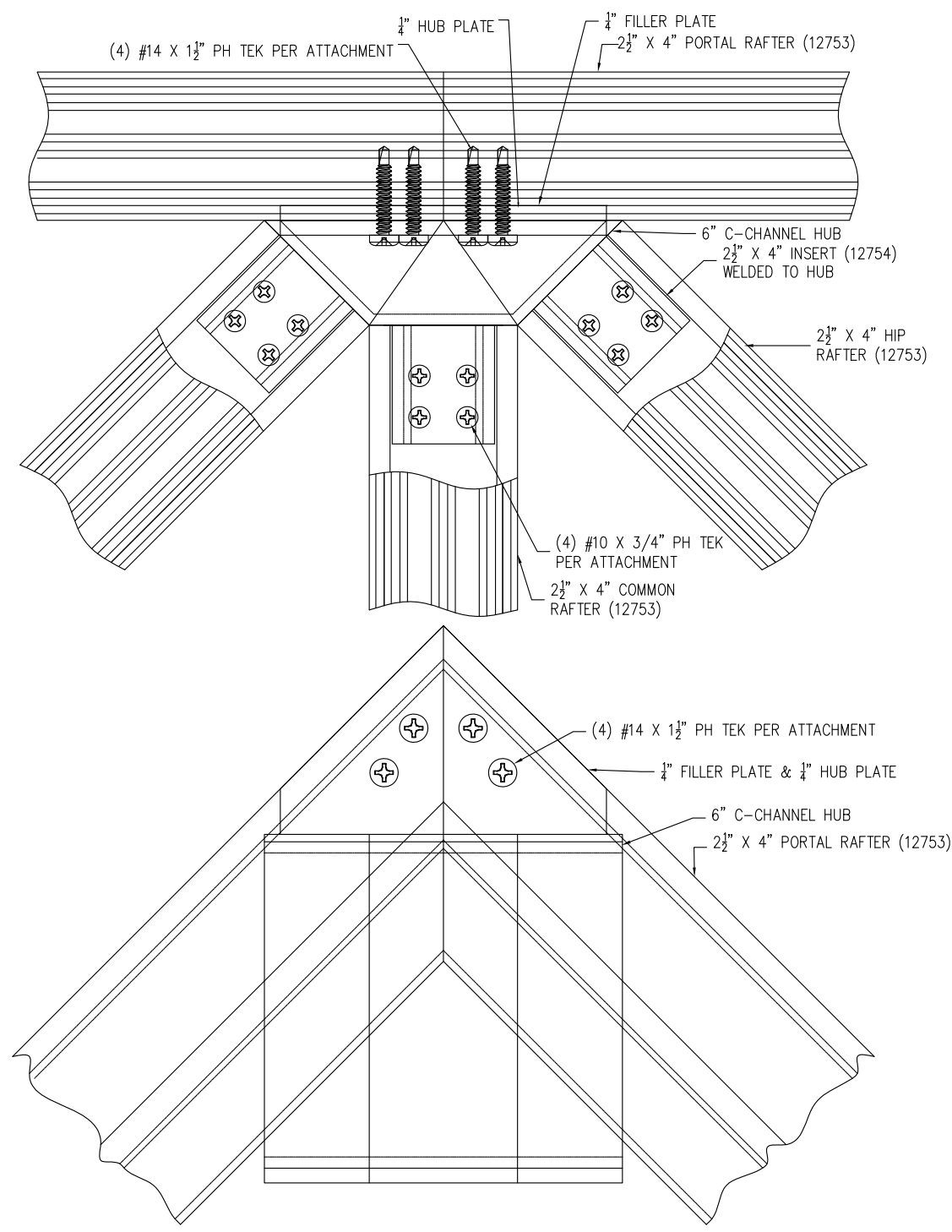
DRAWN: N.G.	DWG NO. 08-02658	REV -
SCALE NTS	DATE 03/24/15	SHEET 7 OF 13

SIGNED: 03/24/2015



Luis R. Lomas P.E.  
 Texas No. 101889

REVISIONS			
REV	DESCRIPTION	DATE	APPROVED



**C**  
**8** **PEAK CONNECTION DETAIL**  
COMPRESSION RING IS NOT USED

**SOLAR INNOVATIONS, INC.**  
31 ROBERTS RD  
PINE GROVE, PA 17963

**SERIES SI 5600 PYRAMID SKYLIGHT  
IMPACT  
INSTALLATION DETAILS**

DRAWN: N.G.	DWG NO. 08-02658	REV -
SCALE NTS	DATE 03/24/15	SHEET 8 OF 13

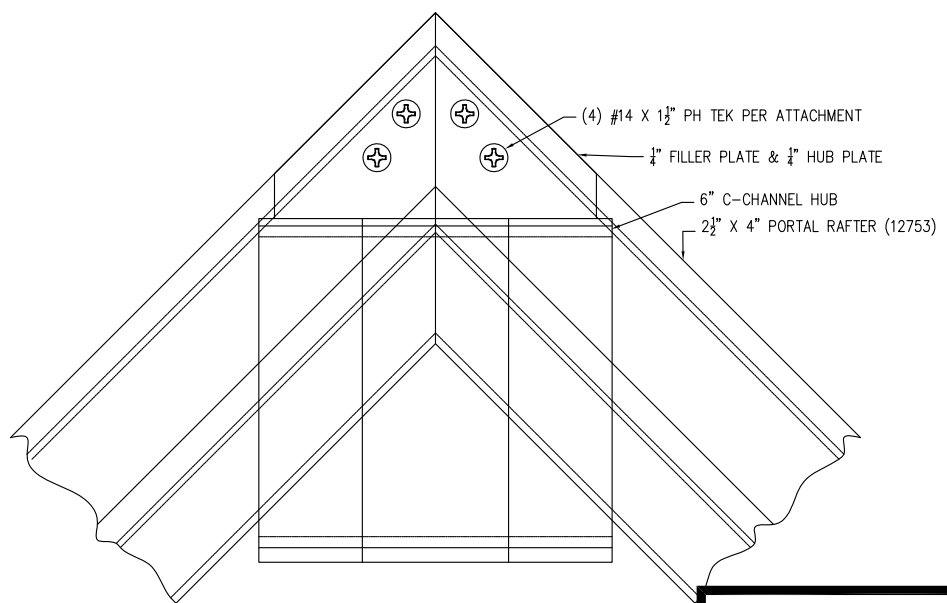
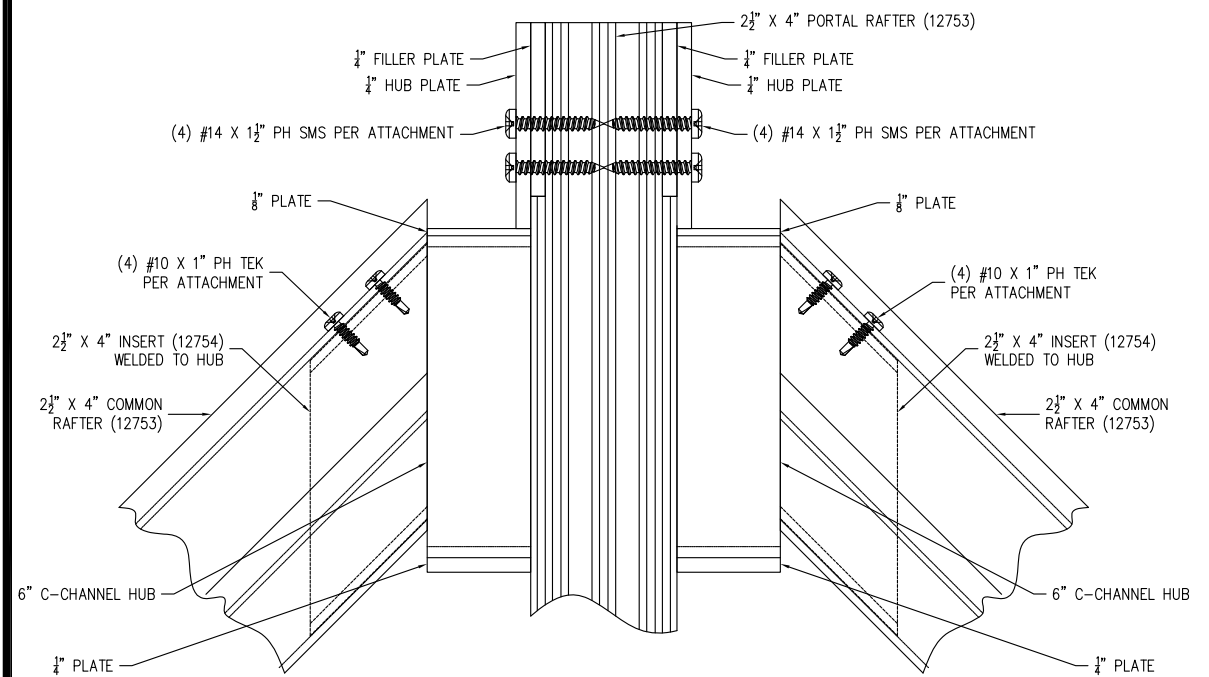
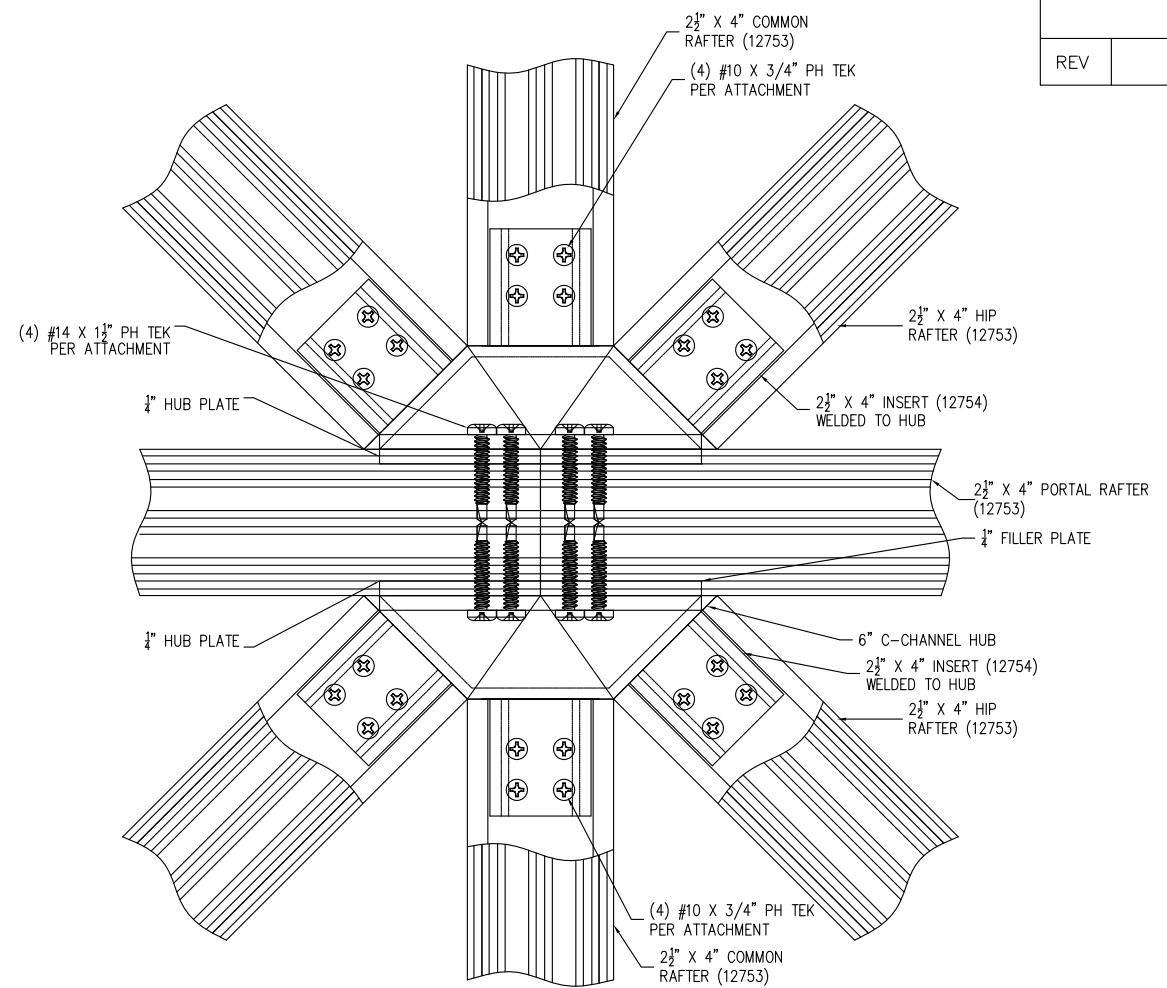
SIGNED: 03/24/2015



Luis R. Lomas P.E.  
Texas No. 101889



REVISIONS			
REV	DESCRIPTION	DATE	APPROVED



C  
9

**PEAK CONNECTION DETAIL**  
OCTAGON CONFIGURATION  
COMPRESSION RING IS NOT USED

SIGNED: 03/24/2015

**SOLAR INNOVATIONS, INC.**  
31 ROBERTS RD  
PINE GROVE, PA 17963

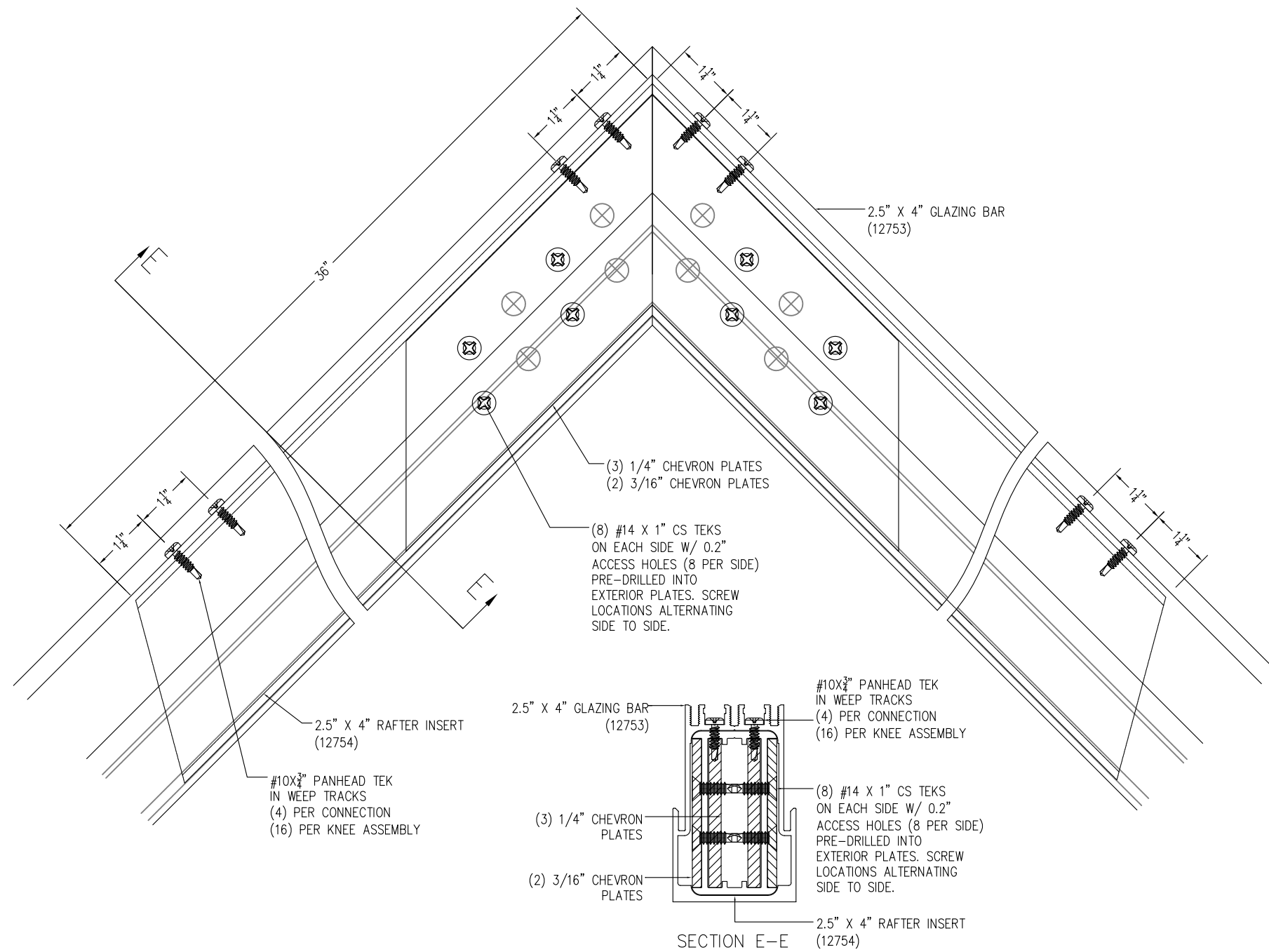
SERIES SI 5600 PYRAMID SKYLIGHT  
IMPACT  
INSTALLATION DETAILS

DRAWN: N.G.	DWG NO. 08-02658	REV -
SCALE NTS	DATE 03/24/15	SHEET 9 OF 13



Luis R. Lomas P.E.  
Texas No. 101889

REVISIONS			
REV	DESCRIPTION	DATE	APPROVED



**STANDARD STAGE**  
KNEE ASSEMBLY

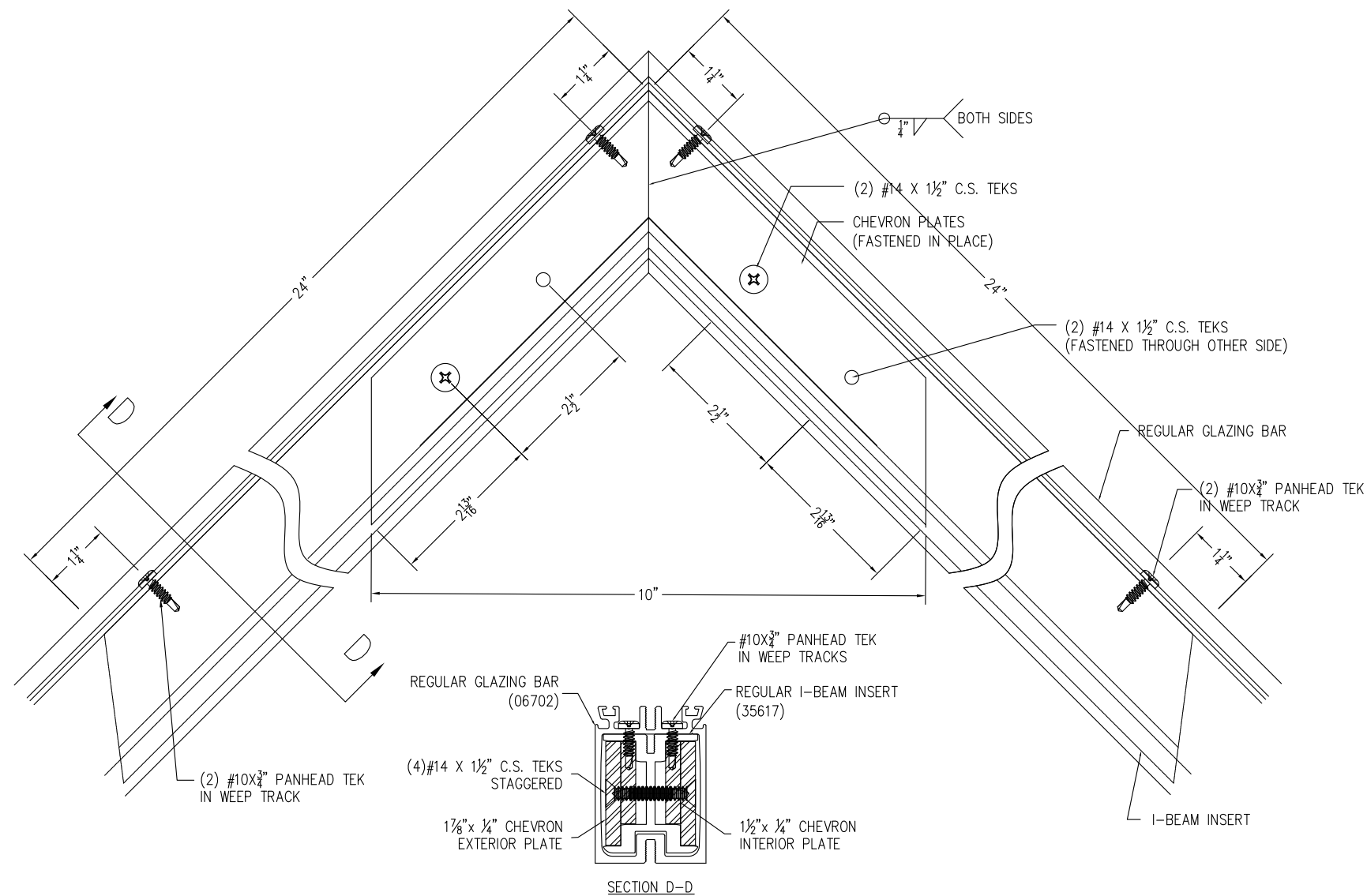
SIGNED: 03/24/2015

<b>SOLAR INNOVATIONS, INC.</b> 31 ROBERTS RD PINE GROVE, PA 17963		
SERIES SI 5600 PYRAMID SKYLIGHT IMPACT INSTALLATION DETAILS		
DRAWN: N.G.	DWG NO. 08-02658	REV -
SCALE NTS	DATE 03/24/15	SHEET 10 OF 13



Luis R. Lomas P.E.  
Texas No. 101889

REVISIONS			
REV	DESCRIPTION	DATE	APPROVED



**STANDARD NONWELDED STAGE  
KNEE ASSEMBLY**

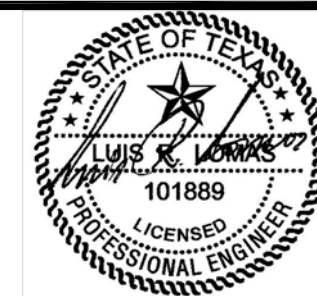
SIGNED: 03/24/2015

SOLAR INNOVATIONS, INC.

31 ROBERTS RD  
PINE GROVE, PA 17963

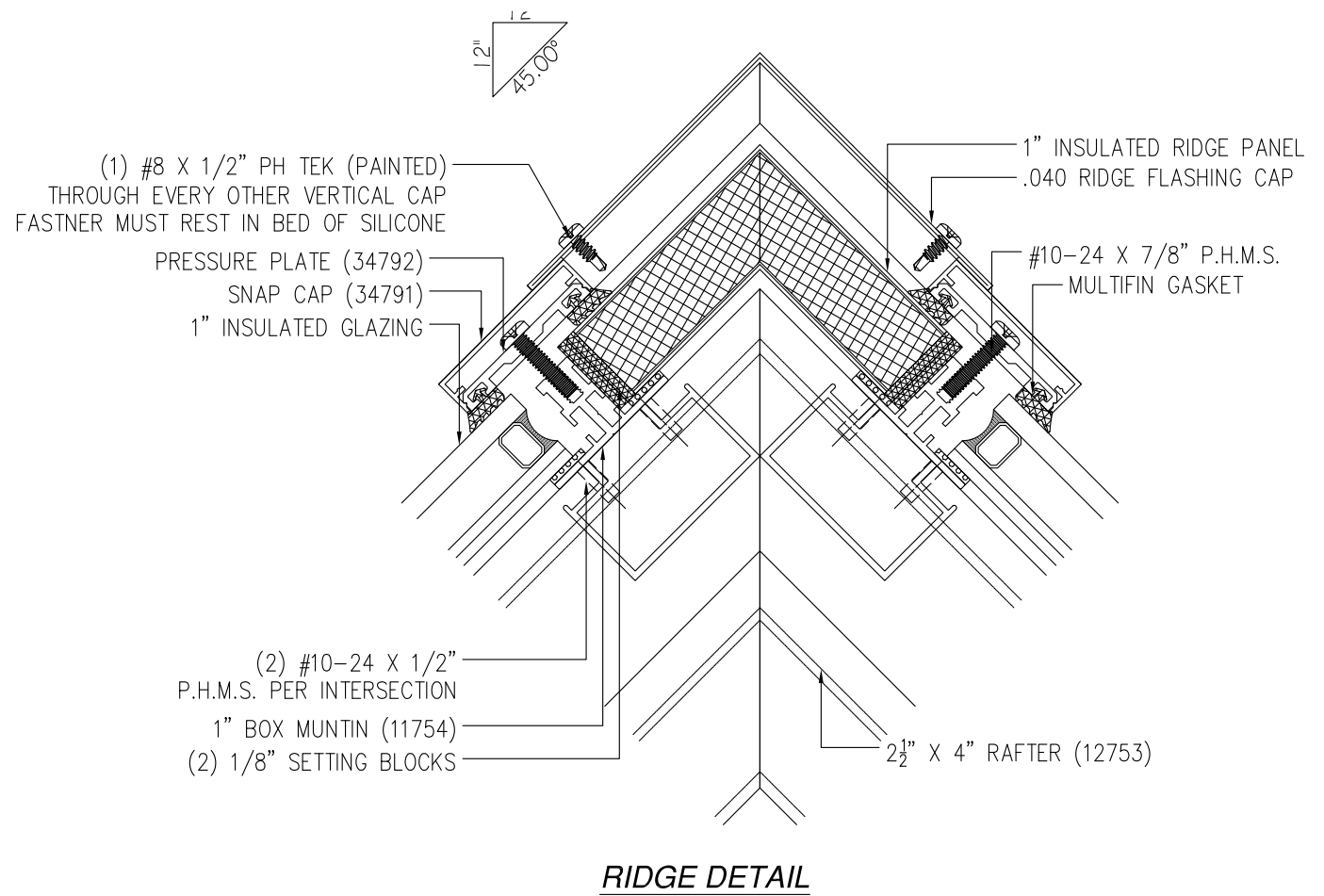
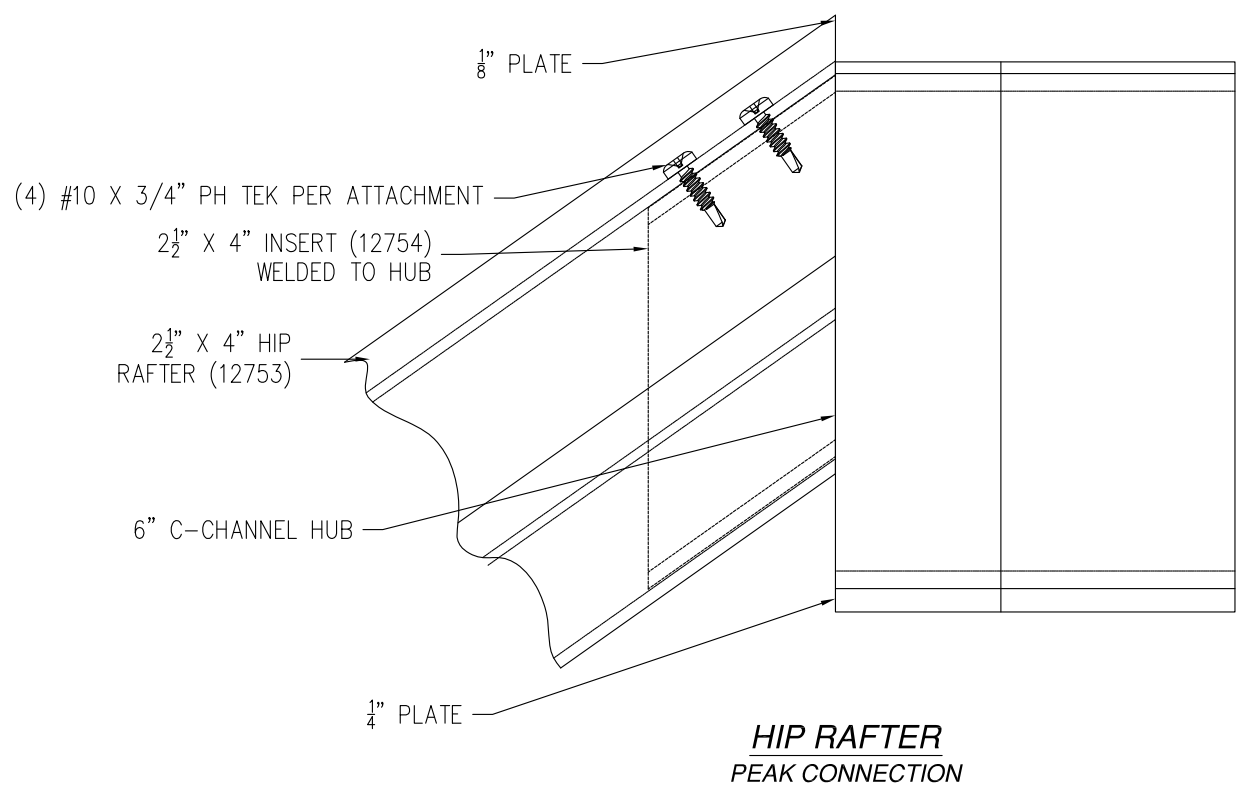
SERIES SI 5600 PYRAMID SKYLIGHT  
IMPACT  
INSTALLATION DETAILS

DRAWN: N.G.	DWG NO. 08-02658	REV -
SCALE NTS	DATE 03/24/15	SHEET 11 OF 13



Luis R. Lomas P.E.  
Texas No. 101889

REVISIONS			
REV	DESCRIPTION	DATE	APPROVED

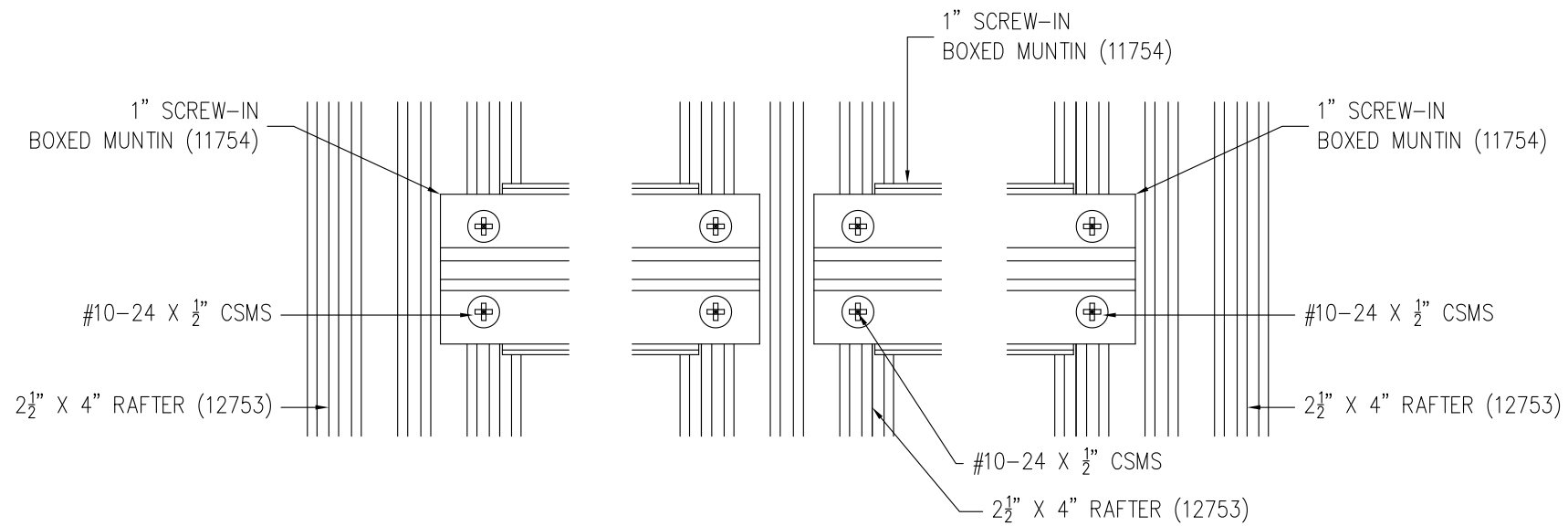


SIGNED: 03/24/2015

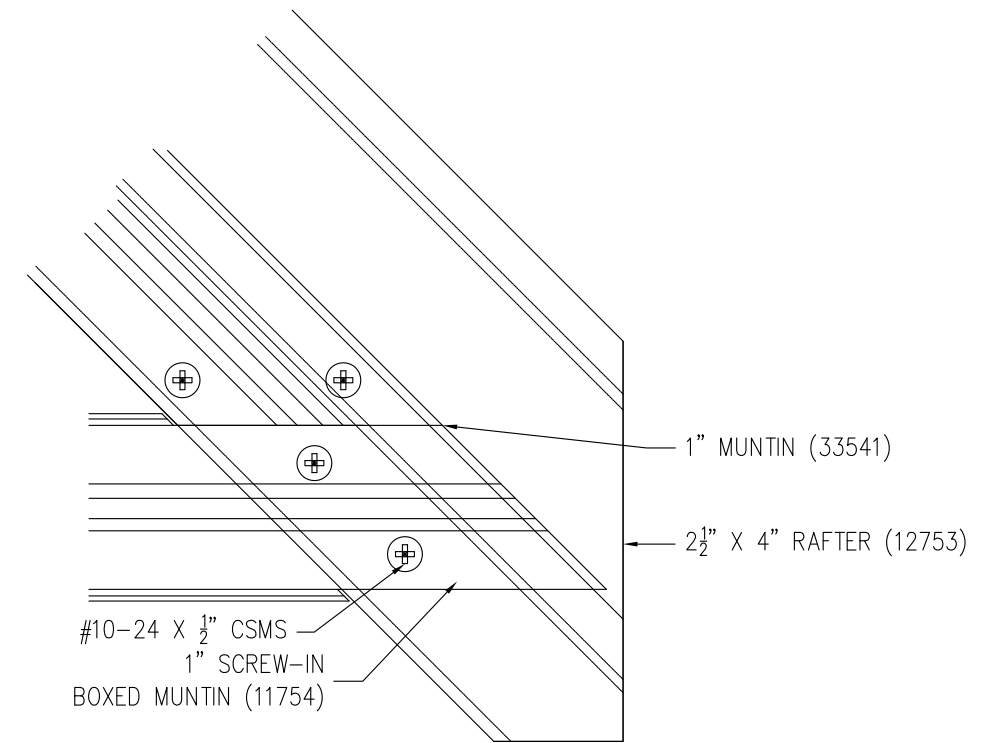
**SOLAR INNOVATIONS, INC.**  
 31 ROBERTS RD  
 PINE GROVE, PA 17963  
 SERIES SI 5600 PYRAMID SKYLIGHT  
 IMPACT  
 INSTALLATION DETAILS  
 DRAWN: N.G. DWG NO. 08-02658 REV -  
 SCALE NTS DATE 03/24/15 SHEET 12 OF 13

STATE OF TEXAS  
 LUIS R. LOMAS  
 101889  
 LICENSED  
 PROFESSIONAL ENGINEER  
 Luis R. Lomas P.E.  
 Texas No. 101889

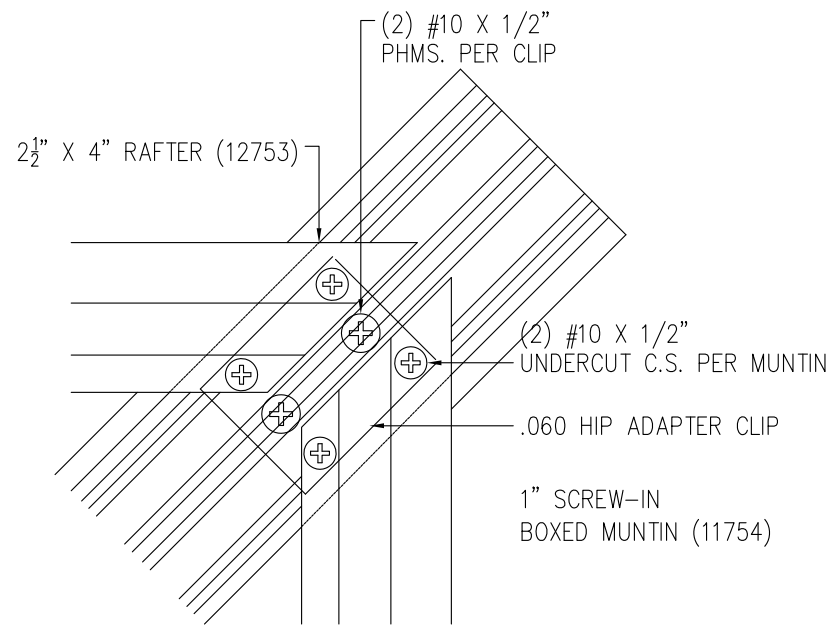
REVISIONS			
REV	DESCRIPTION	DATE	APPROVED



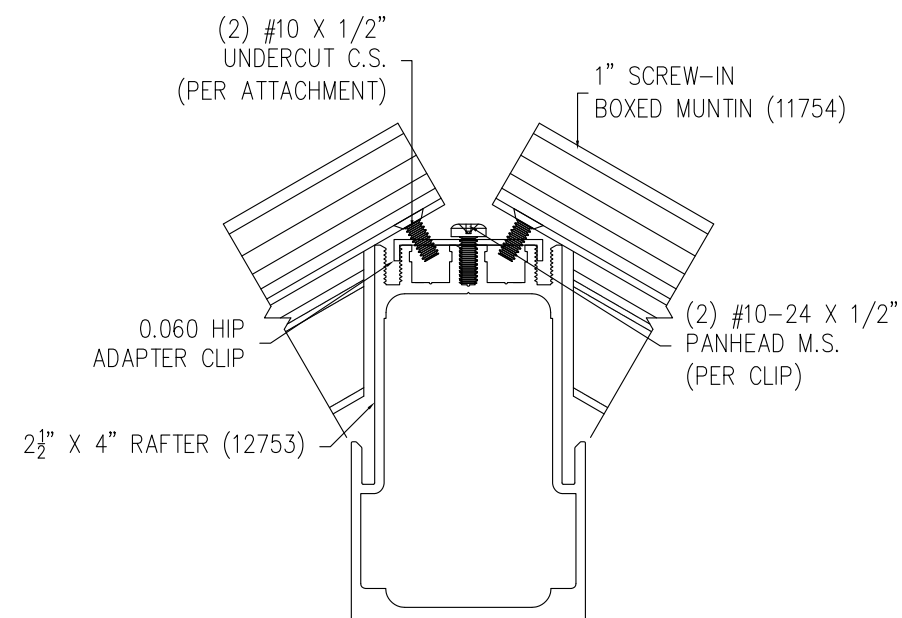
**MUNTIN ATTACHMENT DETAILS**



**GABLE MUNTIN ATTACHMENT DETAIL**



**HIP ADAPTER ATTACHMENT DETAIL**



**HIP ADAPTER MUNTIN DETAIL**

<b>SOLAR INNOVATIONS, INC.</b> 31 ROBERTS RD PINE GROVE, PA 17963		
SERIES SI 5600 PYRAMID SKYLIGHT IMPACT INSTALLATION DETAILS		
DRAWN: N.G.	DWG NO. 08-02658	REV -
SCALE NTS	DATE 03/24/15	SHEET 13 OF 13

SIGNED: 03/24/2015



Luis R. Lomas P.E.  
Texas No. 101889