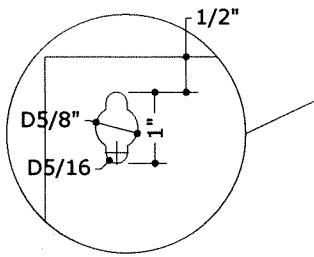


# 24GA STEEL STORM PANEL

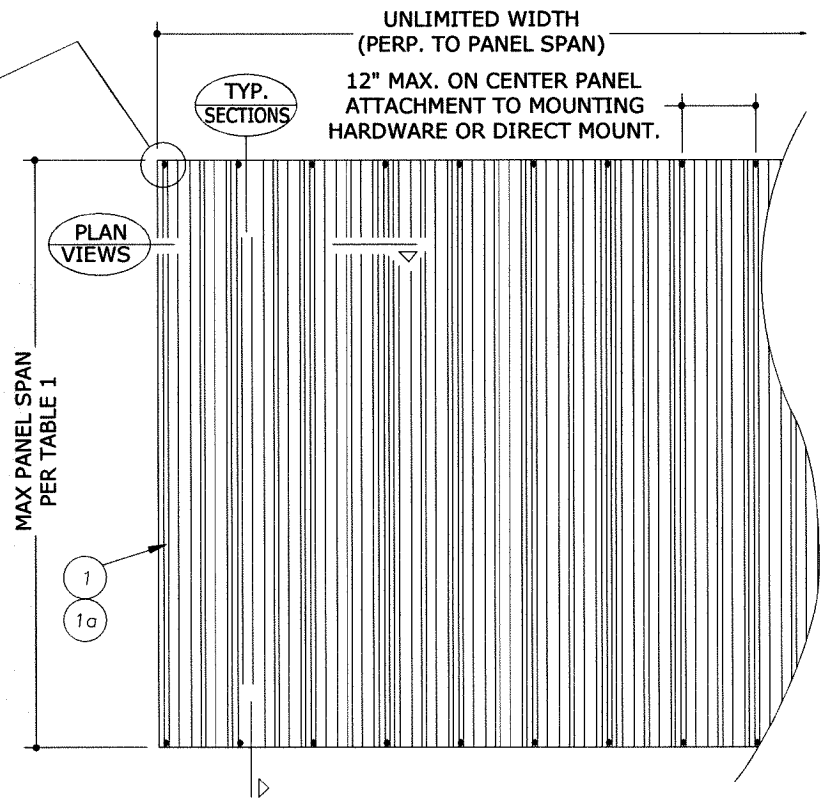
FRANK BENNARDO, PE  
PE# 96064 CA# F-11383



**ENGINEERING EXPRESS**  
CORPORATE OFFICE:  
160 SW 12th AVE, SUITE 106  
DEERFIELD BEACH, FL 33442  
(954) 354-0660 | (866) 396-9999  
TEAM@ENGINEERINGEXPRESS.COM  
ENGINEERINGEXPRESS.COM



**KEYHOLE PUNCH DETAIL**  
ALTERNATIVE HOLE DIA. OF  
5/8" IS ACCEPTABLE.



NOTE: TOP MAY BE SLOPED OR RADIUS TO MATCH GEOMETRY OF  
OPENING. MOUNTING HARDWARE MUST BE ROLL-FORMED TO THE RADIUS;  
NO NOTCHING OF MOUNTING HARDWARE TO ACHIEVE SHAPES IS ALLOWED.



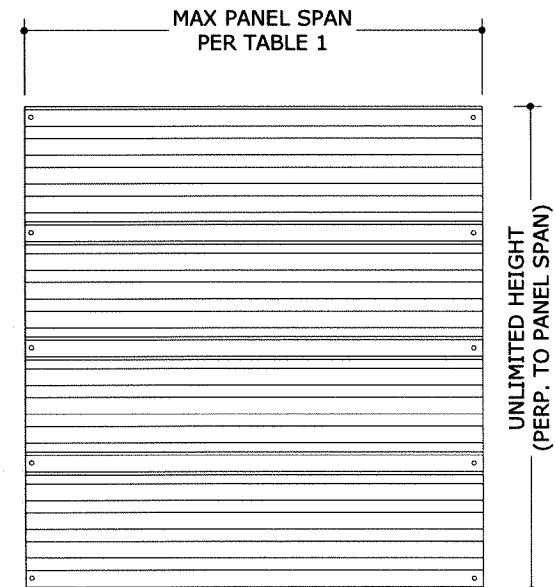
TABLE 1 ALLOWABLE SPAN SCHEDULE (STEEL PANELS ONLY)		
PANEL SPAN	ALLOWABLE DESIGN PRESSURE	
120"	+ 35.0 PSF	- 38.0 PSF
114"	+ 39.2 PSF	- 41.1 PSF
108"	+ 44.2 PSF	- 44.7 PSF
106"	+ 46.0 PSF	- 46.0 PSF
102"	+ 49.7 PSF	- 49.7 PSF
96"	+ 56.1 PSF	- 56.1 PSF
90"	+ 63.9 PSF	- 63.9 PSF
84"	+ 73.4 PSF	- 73.4 PSF
78"	+ 85.2 PSF	- 85.2 PSF
72"	+ 100.0 PSF	- 100.0 PSF

**TABLE 1 NOTES:**

- LINEAR INTERPOLATION BETWEEN SHUTTER SPANS IS NOT PERMITTED. FOR SPANS BETWEEN THOSE INDICATED ABOVE, THE DESIGN PRESSURES FOR THE NEXT HIGHER SPAN SHALL BE USED.
- DESIGN PRESSURES NOTED IN TABLE 1 APPLY TO ALL MOUNTING AND ANCHORAGE CONDITIONS AND SHALL NOT BE EXCEEDED.

**GENERAL NOTES**

1. THE SYSTEM DESCRIBED HEREIN HAS BEEN DESIGNED AND TESTED AS A LARGE MISSILE IMPACT PROTECTIVE SYSTEM IN ACCORDANCE WITH THE INTERNATIONAL BUILDING CODE (2018) AND INTERNATIONAL RESIDENTIAL CODE (IRC) FOR USE OUTSIDE WIND ZONE 4.
2. NO 33-1/3% INCREASE IN ALLOWABLE STRESS HAS BEEN USED IN THE DESIGN OF THIS SYSTEM. WIND LOAD DURATION FACTOR Cd=1.6 HAS BEEN USED FOR WOOD ANCHOR DESIGN.
3. POSITIVE AND NEGATIVE DESIGN PRESSURES CALCULATED FOR USE WITH THIS SYSTEM SHALL BE DETERMINED PER SEPARATE ENGINEERING IN ACCORDANCE WITH THE GOVERNING CODE. PRESSURE REQUIREMENTS AS DETERMINED IN ACCORDANCE WITH ASCE 7 AND CHAPTER 1609 OF THE INTERNATIONAL BUILDING CODE SHALL BE LESS THAN OR EQUAL TO THE POSITIVE OR NEGATIVE DESIGN PRESSURE CAPACITY VALUES LISTED HEREIN FOR ANY ASSEMBLY AS SHOWN.
4. DESIGN PRESSURES NOTED HEREIN ARE BASED ON MAXIMUM TESTED PRESSURES DIVIDED BY A 1.5 SAFETY FACTOR.
5. THIS SYSTEM HAS BEEN DESIGNED WITH NO SEPARATION FROM GLAZING AND IS INTENDED FOR USE IN WIND ZONES 1-3 ONLY.
6. THE SYSTEM DETAILED HEREIN IS GENERIC AND DOES NOT PROVIDE INFORMATION FOR A SPECIFIC SITE. FOR SITE CONDITIONS DIFFERENT FROM THE CONDITIONS DETAILED HEREIN, A LICENSED ENGINEER OR REGISTERED ARCHITECT SHALL PREPARE SITE SPECIFIC DOCUMENTS FOR USE IN CONJUNCTION WITH THIS DOCUMENT.
7. PERMIT HOLDER SHALL VERIFY THE ADEQUACY OF THE EXISTING STRUCTURE TO WITHSTAND SUPERIMPOSED LOADS. BRICK VENEER PER ASTM C62 (BY OTHERS) SHALL BE ANCHORED PROPERLY TO TRANSFER ANY APPLICABLE LOADS TO THE EXISTING HOST STRUCTURE.
8. STORM PANELS SHALL BE ASTM A653 GRADE 40 STEEL WITH G60 GALVANIZED COATING, TESTED THICKNESS 0.0232".
9. ALL POLYCARBONATE PANELS SHALL BE MANUFACTURED BY TRANSPARENT PROTECTION SYSTEMS, Inc.
10. ALL POLYCARB PANELS SHALL BE EXTRUDED WITH THICKNESS t=0.100" (±0.010") AND SHALL BE MANUFACTURED FROM 100% SYNTHETIC THERMOPLASTIC POLYMER RESIN (UV STABILIZED). TYPICAL TENSILE STRENGTH Fy=8.908 KSI, FLEXURAL STRENGTH Fby=12.90 KSI, & FLEXURAL MODULUS IS 328.7 KSI.
11. ALL EXTRUSIONS SHALL BE 6063-T6 ALUMINUM ALLOY, UNLESS NOTED OTHERWISE. ALL TOLERANCES SHALL BE IN ACCORDANCE WITH ADM 2015.
12. TOP & BOTTOM DETAILS SHOWN MAY BE INTERCHANGED AS FIELD CONDITIONS DICTATE. PANELS MAY BE MOUNTED VERTICALLY OR HORIZONTALLY AS APPLICABLE.
13. PANELS SHALL BE PERMANENTLY LABELED WITH LABELS SPACED NOT MORE THAN EVERY THREE LINEAL FEET PER PANEL AND SHALL FACE THE EXTERIOR AND CONTAIN AT LEAST THE FOLLOWING:  
**TOWN & COUNTRY INDUSTRIES**  
**FT. LAUDERDALE, FL**  
**ASTM E330, E1886, & E1996 9 LB MISSILE LEVEL D**  
**TDI EVALUATED**
14. ALL BOLTS & WASHERS SHALL BE ZINC COATED STEEL, GALVANIZED STEEL, STAINLESS STEEL, OR 2024-T6 ALUMINUM ALLOY WITH A MINIMUM TENSILE YIELD STRENGTH OF 33 KSI, UNLESS OTHERWISE NOTED HEREIN.
15. CONTRACTOR IS RESPONSIBLE TO INSULATE OR PROTECT ALL MEMBERS FROM DISSIMILAR MATERIALS TO PREVENT ELECTROLYSIS.
16. SEALANT SHALL BE USED ON ANCHORS OR TRACKS WHEREVER WATER SEEPAGE IS POSSIBLE.

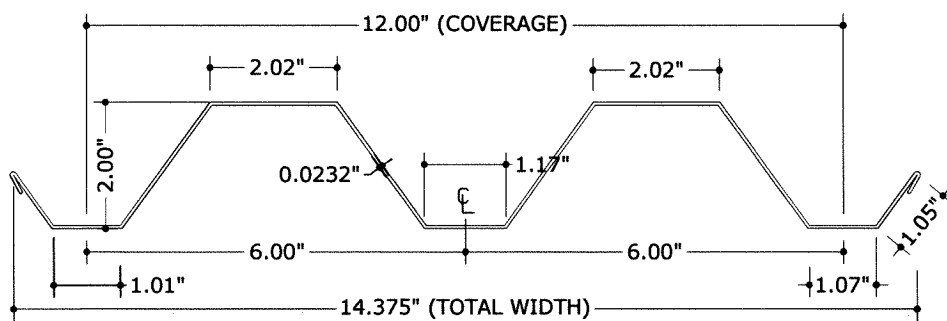


**Town & Country**  
INDUSTRIES  
Wholesale Aluminum and Building Products  
A Division of ABC Supply Co., Inc.  
400 WEST MCNAB ROAD  
FT. LAUDERDALE, FL 33309

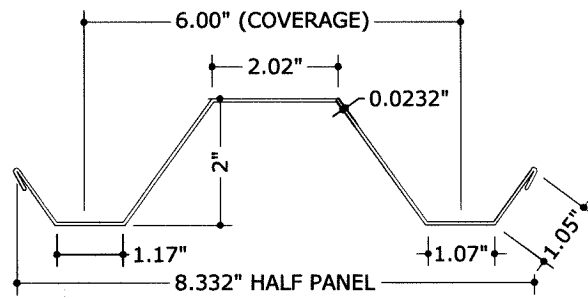
REMARKS	DRWN	CHKD	DATE
INIT ISSUE	CSL	FLB	4/01/15
2017 FBC	RWN	FLB	8/01/17
2020 FBC	CCB	RWN	6/17/20

20-24244.10  
SCALE: -  
PAGE DESCRIPTION:

11/23/2020 - 3:19pm rickn C:\Users\rickn\Engineering Express\Production - Documents\Projects\20-24244 Town & Country - TDI Updates\WP110 - SHU (New) 24ga Steel Storm Panels\20-24244.10 24ga Steel Storm Panels (TDI).dwg

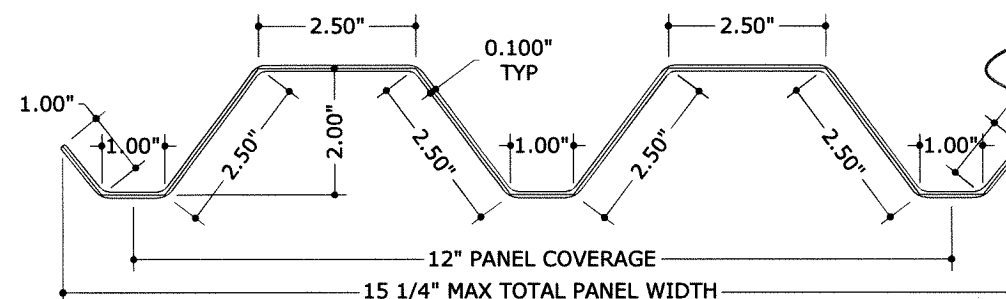


**1 STEEL STORM PANEL**

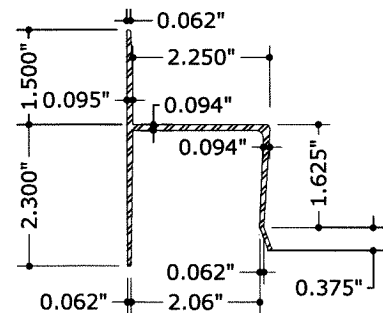


**1a STEEL HALF STORM PANEL**

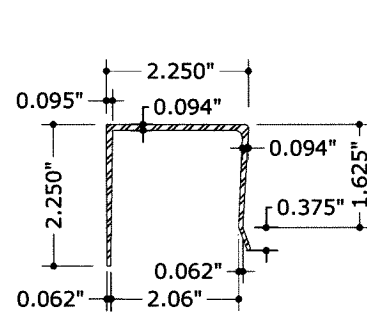
NOTE: HALF STORM PANEL SHALL ONLY BE USED AS AN END PANEL TO CLOSE THE REMAINING OPENING THAT MAY BE LESS THAN FULL PANEL WIDTH



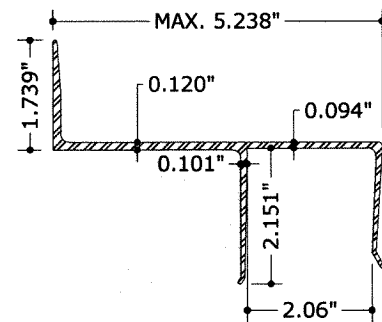
**1b POLYCARBONATE STORM PANEL**



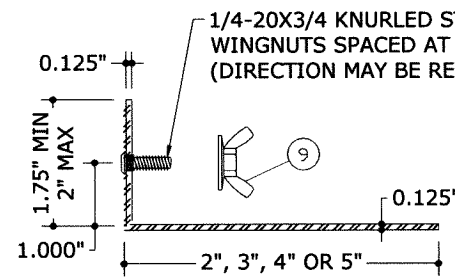
**2 "H" HEADER**



**3 "U" HEADER**

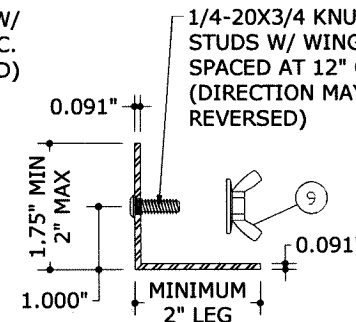


**3a BUILD-OUT "U" HEADER**



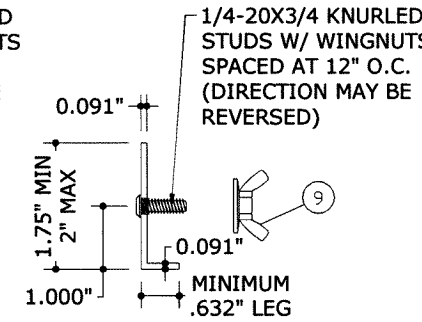
**4 STUD ANGLE**

SEE COMPONENT NOTES



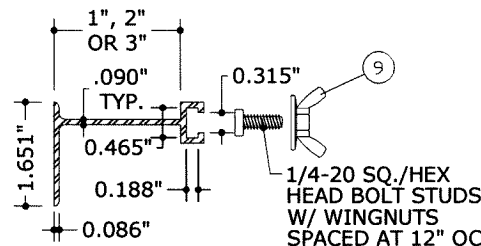
**4a STUD ANGLE**

SEE COMPONENT NOTES

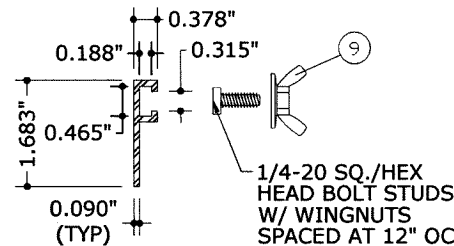


**4b STUD ANGLE**

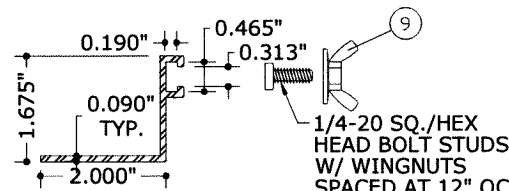
SEE COMPONENT NOTES



**7 BUILD-OUT "F" TRACK**

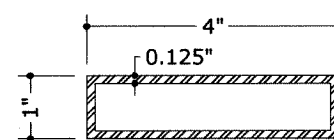


**8 "F" TRACK**

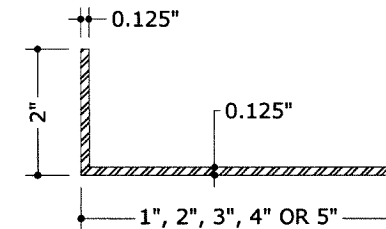


**8a "F" ANGLE TRACK**

(LEG DIRECTION MAY BE REVERSED)

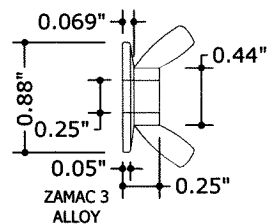


**6 TUBE**



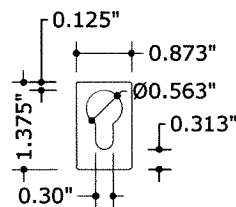
**5 ANGLE**

**COMPONENT NOTES**  
ANCHOR HEADS MUST NOT INTERFERE WITH INSTALLATION OF THE PANEL. THE FIRST AND LAST ANCHOR IN ALL TRACKS SHALL BE INSTALLED WITHIN THE FIRST 3" AND LAST 3", RESPECTIVELY. INSTALL ALL ANCHORS PER THE REQUIREMENTS LISTED IN THE ANCHOR SCHEDULE.



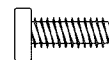
**9 WASHER WINGNUT**

NON-RECESSED FLAT SURFACE TYPE ONLY  
ZAMAC 3 ALLOY

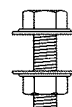


**10 KEYHOLE WASHER**

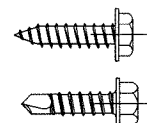
20 GA. GALV. STEEL (t=.038")  
GRADE 40 OR 0.050" ALUM ALLOY (3004-H34)



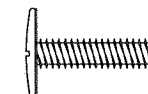
**11 1/4-20 SQ./HEX HEAD BOLT**



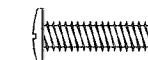
**12 1/4-20 316 SS MACHINE BOLT W/NUT**



**13 #14x3/4 SDS/SMS SCREW**



**14 1/4-20 SIDEWALK BOLT**



**15 1/4-20 TRUSS HEAD BOLT**

REQUIRES USE OF KEYHOLE WASHER IN DIRECT MOUNT APPLICATIONS

DRWN	CHKD	DATE
CSL	FLB	4/01/15
RWN	FLB	8/01/17
CCB	RWN	6/17/20

20-24244.10

SCALE: -  
PAGE DESCRIPTION:

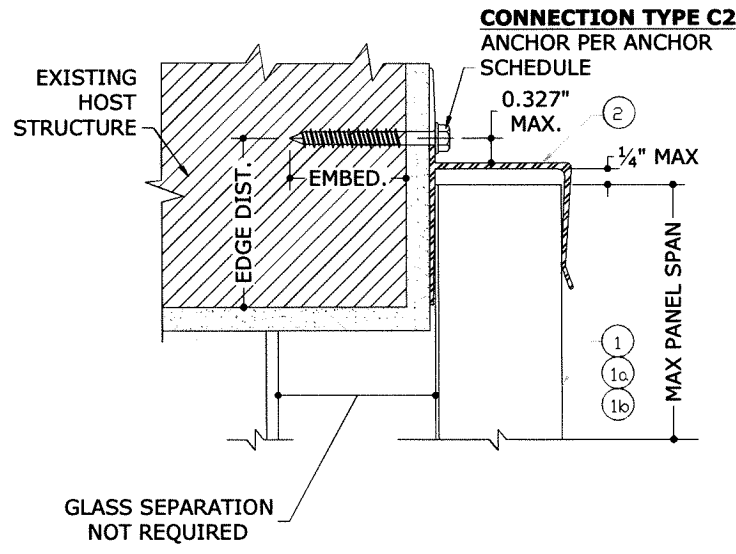
FRANK BENNARDO, PE  
PE# 96064 CA# F-11383

STATE OF FLORIDA  
23/2024

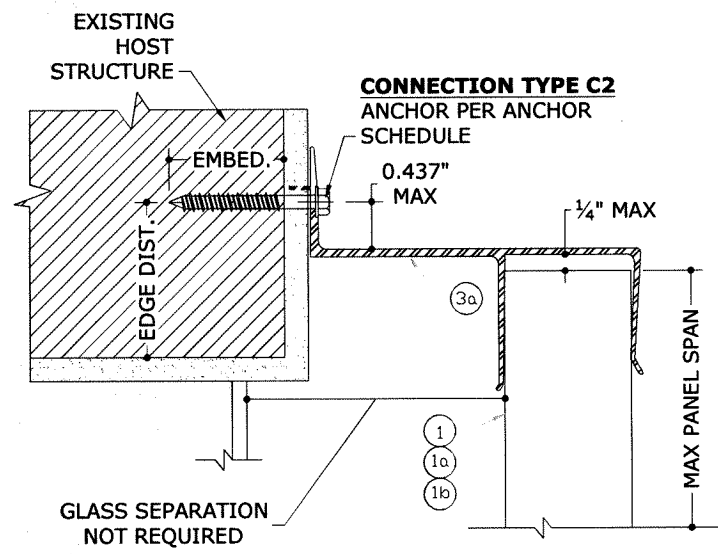
FRANK L. BENNARDO  
PROFESSIONAL ENGINEER  
CORPORATE OFFICE  
160 SW 12th Ave, Suite 1404  
DEERFIELD BEACH, FL 33442  
(954) 354-0660  
TEAM@ENGINEERINGEXPRESS.COM  
ENGINEERINGEXPRESS.COM

**Town & Country**  
INDUSTRIES  
Wholesale Aluminum and Building Products  
A Division of ABC Supply Co., Inc.  
400 WEST MCNAB ROAD  
FT. LAUDERDALE, FL 33309

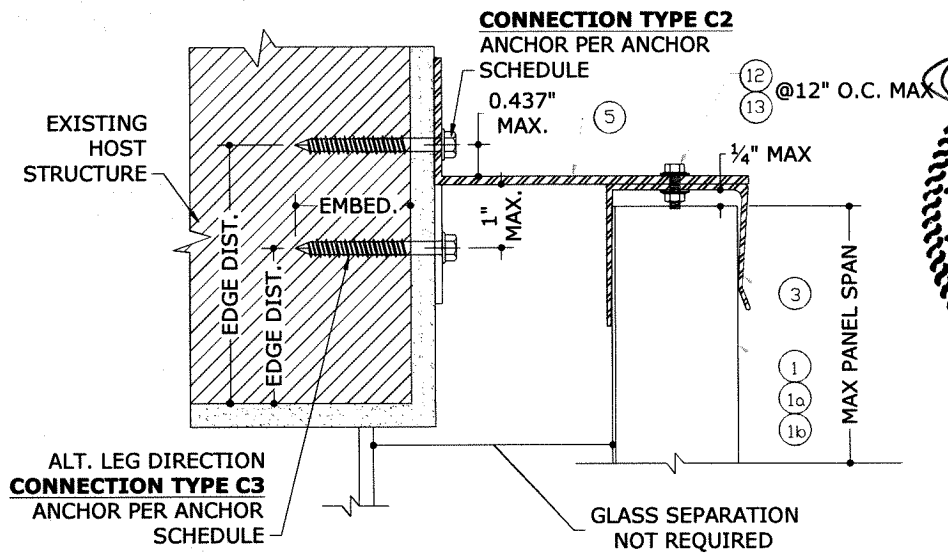
11/23/2020 - 3:19pm rickn C:\Users\rickn\Engineering\Express\Production - Documents\Projects\20-24244.Town & Country - TDI Updates\WP10 - SHU (New) 24ga Steel Storm Panels\20-24244.10 24gs Steel Storm Panels (TDI).dwg



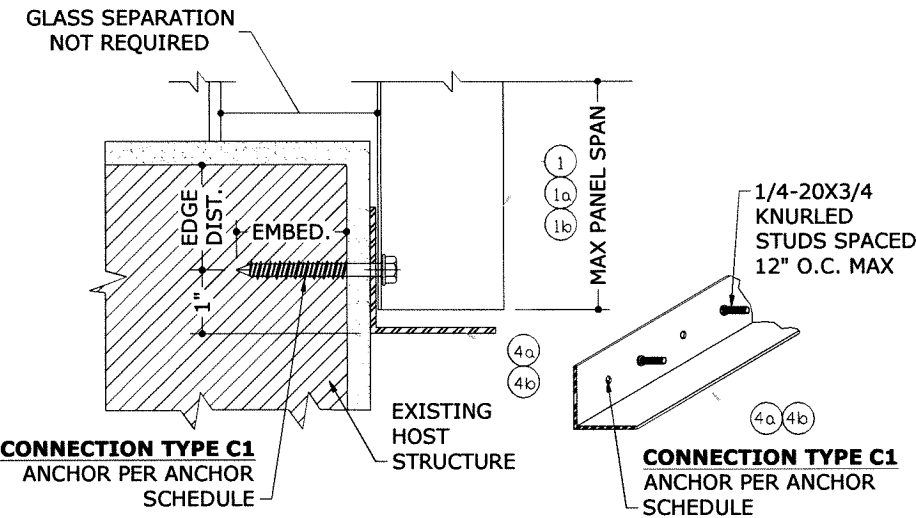
**A "H" MOUNT SECTION**



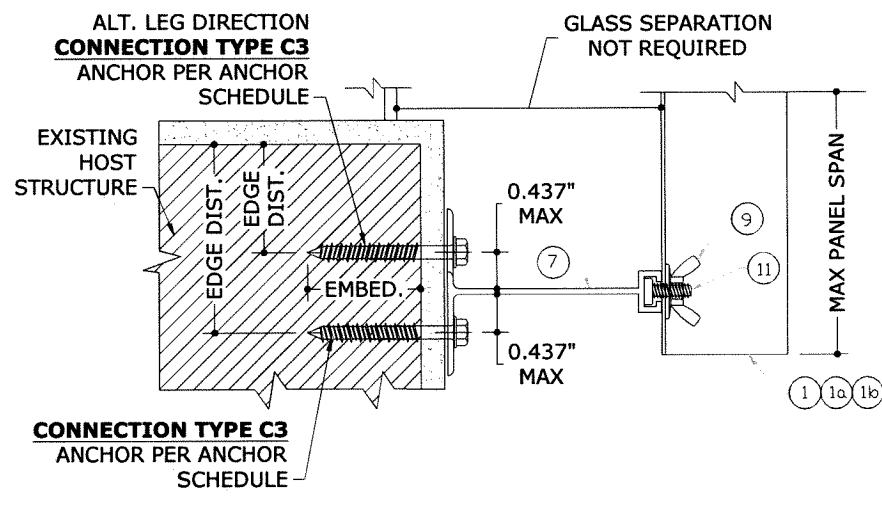
**B BUILD-OUT "U" MOUNT SECTION**



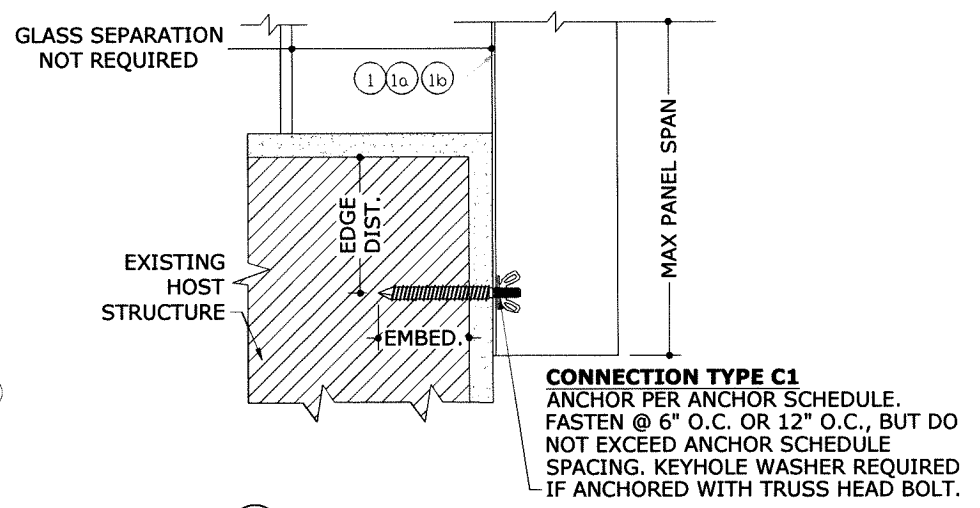
**C ALT. BUILD-OUT "U" MOUNT SECTION**



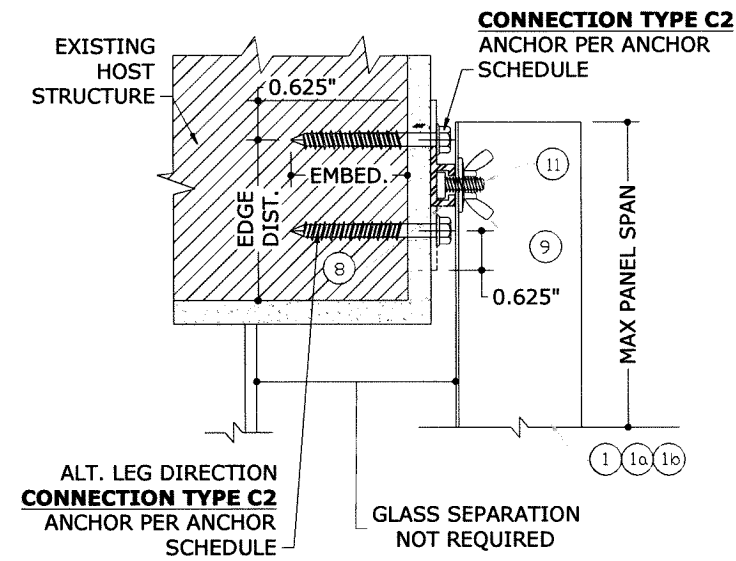
**D STUD ANGLE WALL MOUNT SECTION**



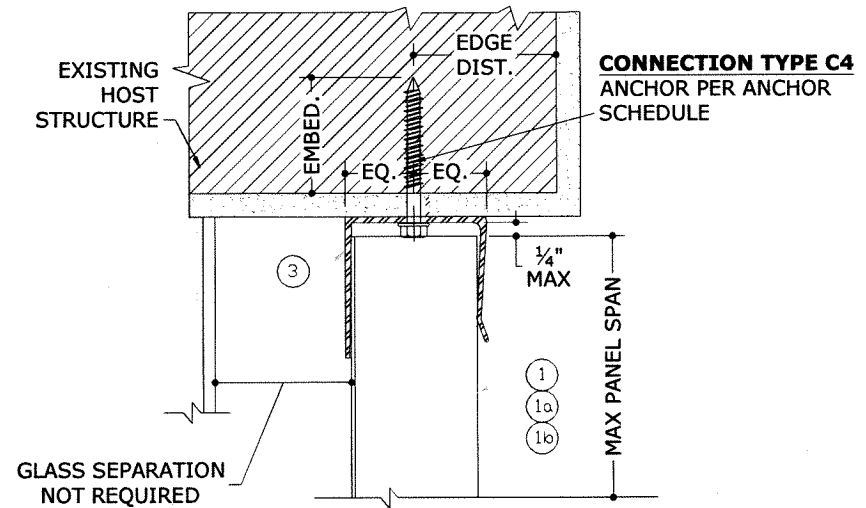
**E BUILD-OUT "F" TRACK SECTION**



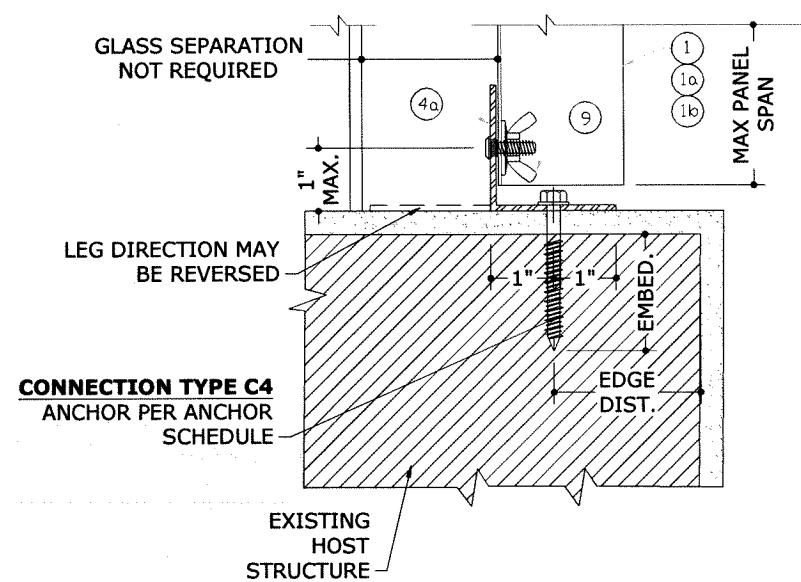
**F DIRECT MOUNT SECTION**



**G "F" TRACK MOUNT SECTION**



**H TRAP "U" HEADER SECTION**



**I TRAP STUD ANGLE SECTION**

FRANK BENNARDO, PE  
PE# 96064 CA# F-11383

STATE OF FLORIDA  
FRANK L. BENNARDO  
PROFESSIONAL ENGINEER  
LICENSE# 96064  
CORPORATE OFFICE: 96064  
160 SW 12th Ave, Suite 304  
DEERFIELD BEACH, FL 33442  
(954) 354-0660  
TEAM@ENGINEERINGEXPRESS.COM  
ENGINEERINGEXPRESS.COM

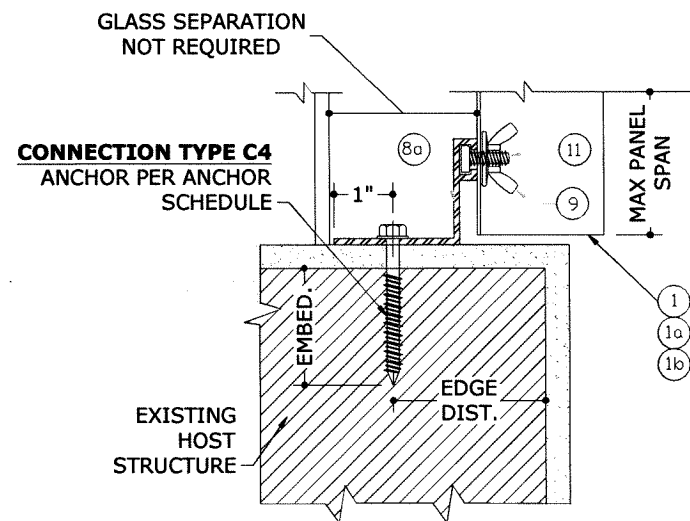
**Town & Country**  
INDUSTRIES  
Wholesale Aluminum and Building Products  
A Division of ABC Supply Co., Inc.  
400 WEST MCNAB ROAD  
FT. LAUDERDALE, FL 33309

DRWN	CHKD	DATE
CSL	FLB	4/01/15
RWN	FLB	8/01/17
CCB	RWN	6/17/20

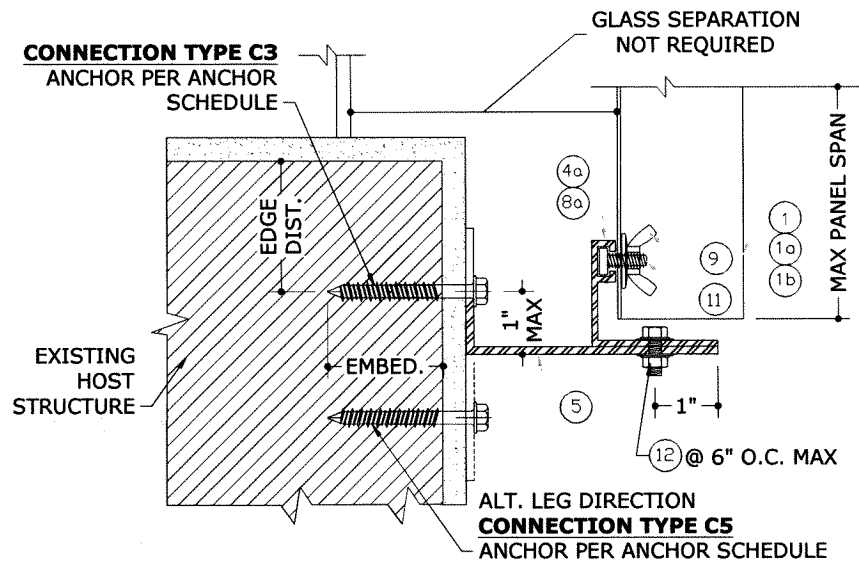
REMARKS  
INIT ISSUE  
2017 FBC  
2020 FBC

20-24244.10  
SCALE: -  
PAGE DESCRIPTION:

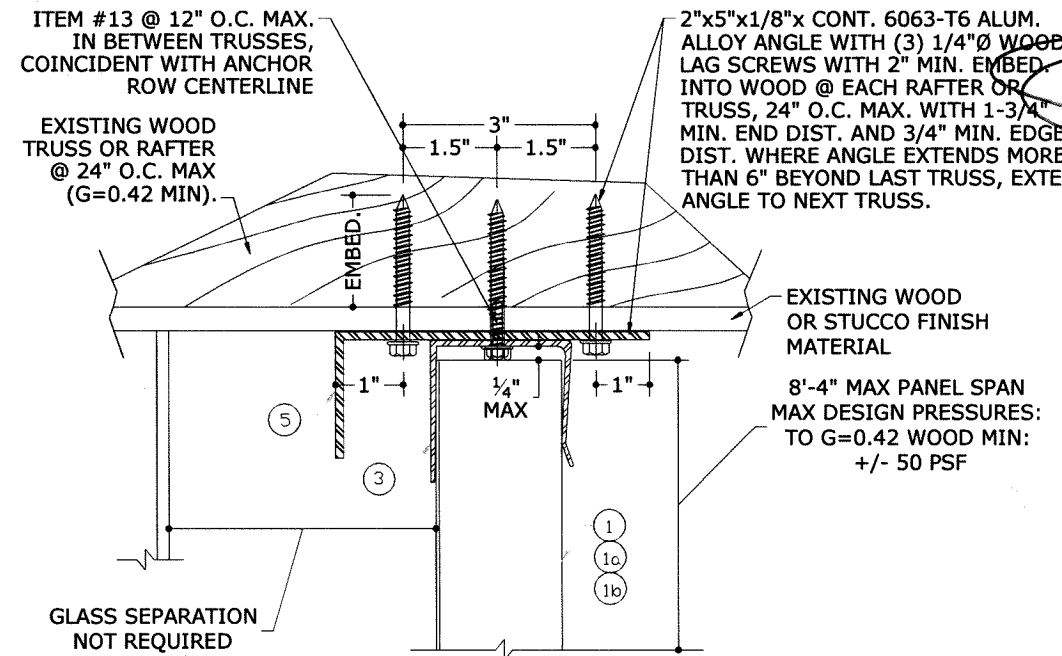
11/23/2020 - 3:19pm rickn C:\Users\rickn\Engineering\Express\Production - Documents\Projects\20-24244 Town & Country - TDI Updates\WP10 - SHU (New) 24ga Steel Storm Panels\20-24244\_10 24ga Steel Storm Panels (TDI).dwg



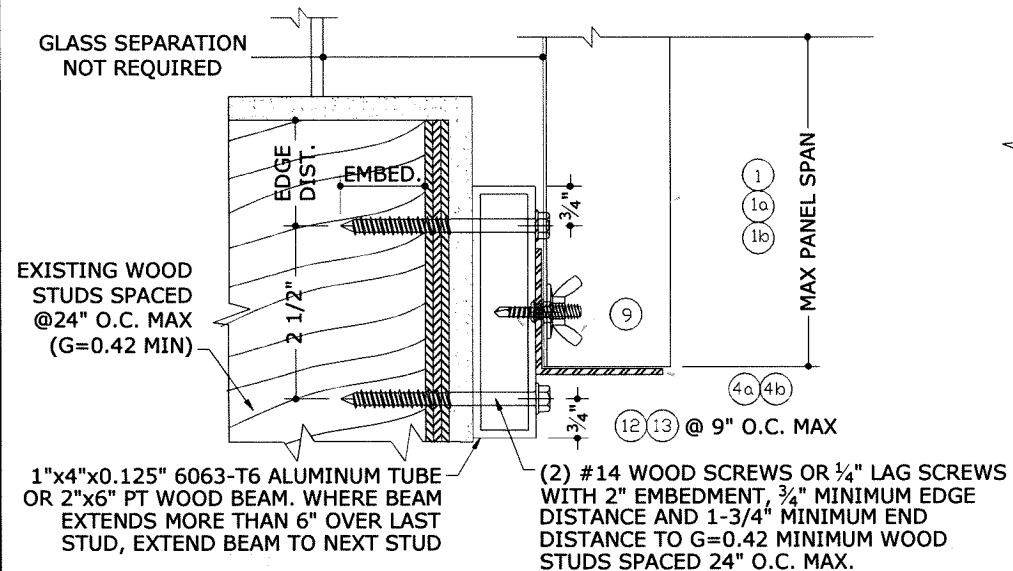
**J "F" ANGLE TRACK MOUNT SECTION**



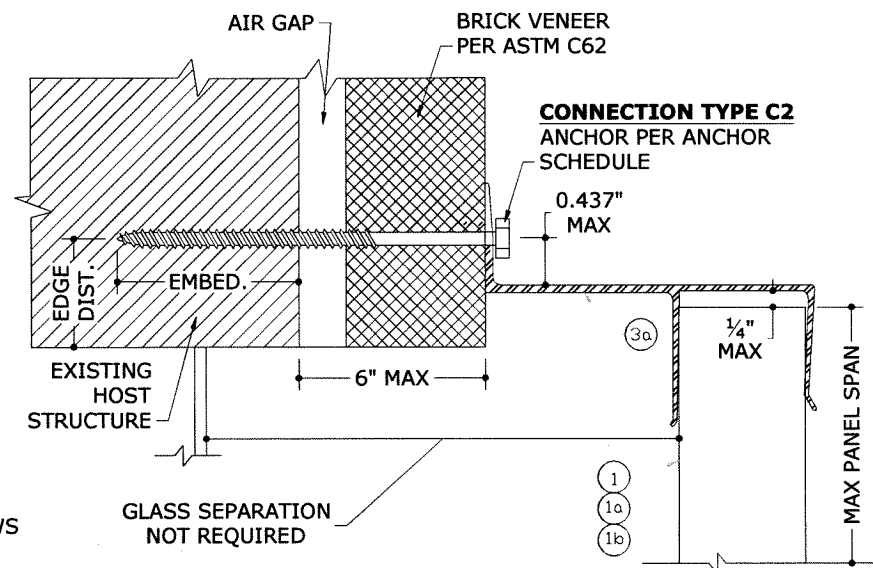
**K REVERSE "F" ANGLE TRACK MOUNT SECTION**



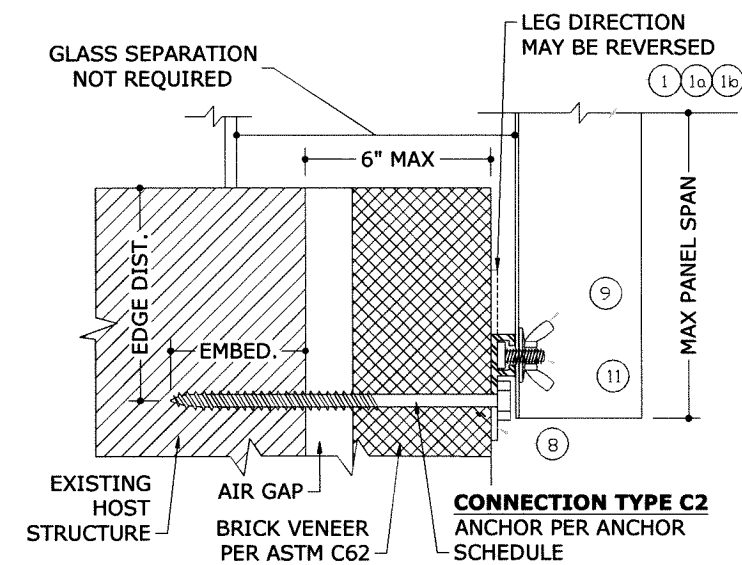
**L CEILING MOUNT/BUILD-OUT SECTION**



**M STUD ANGLE BUILD-OUT MOUNT SECTION INTO STUD WALL**



**N "U" HEADER BUILD-OUT THROUGH VENEER OVER STRUCTURAL BASE SECTION**



**O DIRECT MOUNT THROUGH VENEER OVER STRUCTURAL BASE SECTION**

STATE OF TEXAS  
2020  
FRANK L. BENNARDO  
ENGINEER  
PROFESSIONAL ENGINEER  
CORPORATE OFFICE: 9700  
DEERFIELD BEACH, FL 33444  
(954) 354-0660 | FRANK@FRANKBEN.COM  
TEAM@ENGINEERINGEXPRESS.COM  
ENGINEERINGEXPRESS.COM

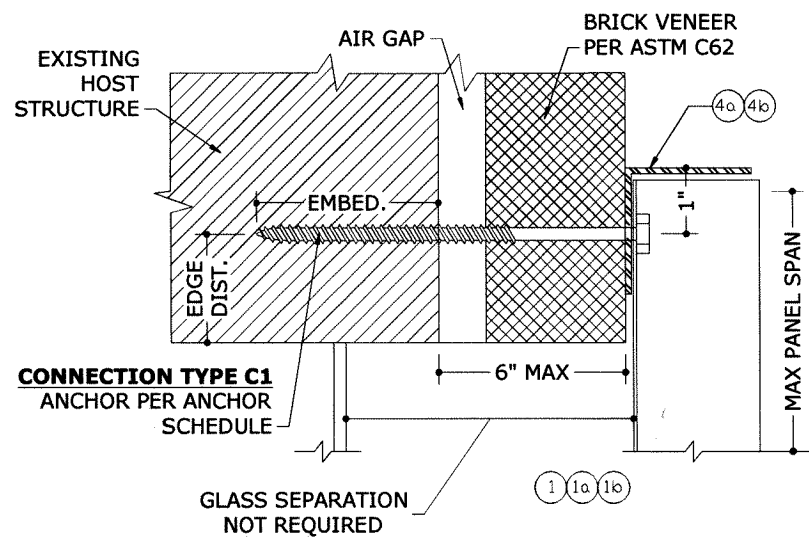
**Town & Country**  
INDUSTRIES  
Wholesale Aluminum and Building Products  
A Division of ABC Supply Co., Inc.  
400 WEST MCNAB ROAD  
FT. LAUDERDALE, FL 33309

DRWN	CHKD	DATE
CSL	FLB	4/01/15
RWN	FLB	8/01/17
CCB	RWN	6/17/20

REMARKS:  
INIT ISSUE  
2017 FBC  
2020 FBC

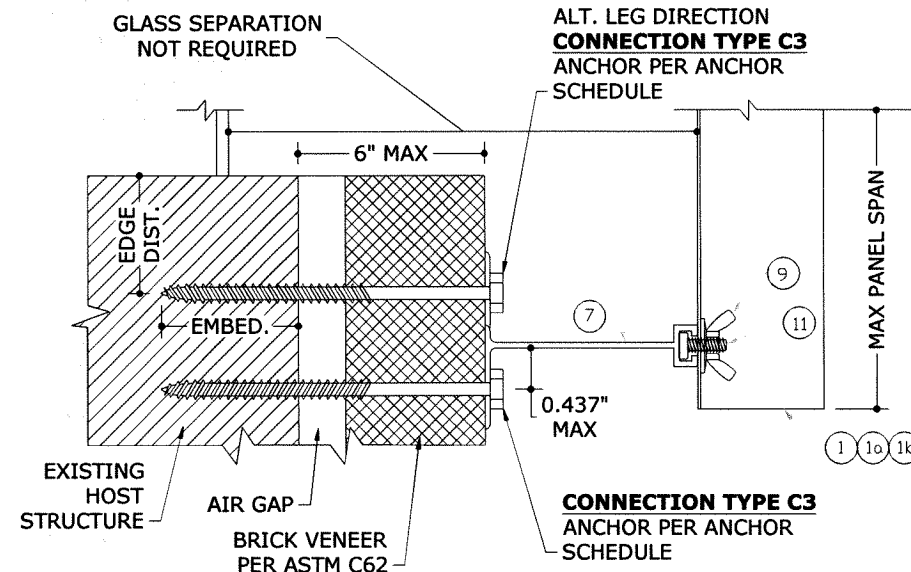
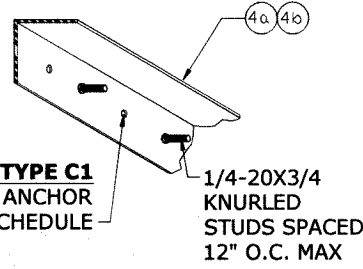
20-24244.10  
SCALE:  
PAGE DESCRIPTION:

C:\Users\rickm\Engineering\Express\Production - Documents\Projects\20-24244 Town & Country - TDI Updates\WP10 - SHU (New) 24ga Steel Storm Panels\20-24244-10 24ga Steel Storm Panels (TDI).dwg  
 11/23/2020 - 3:19pm rickm

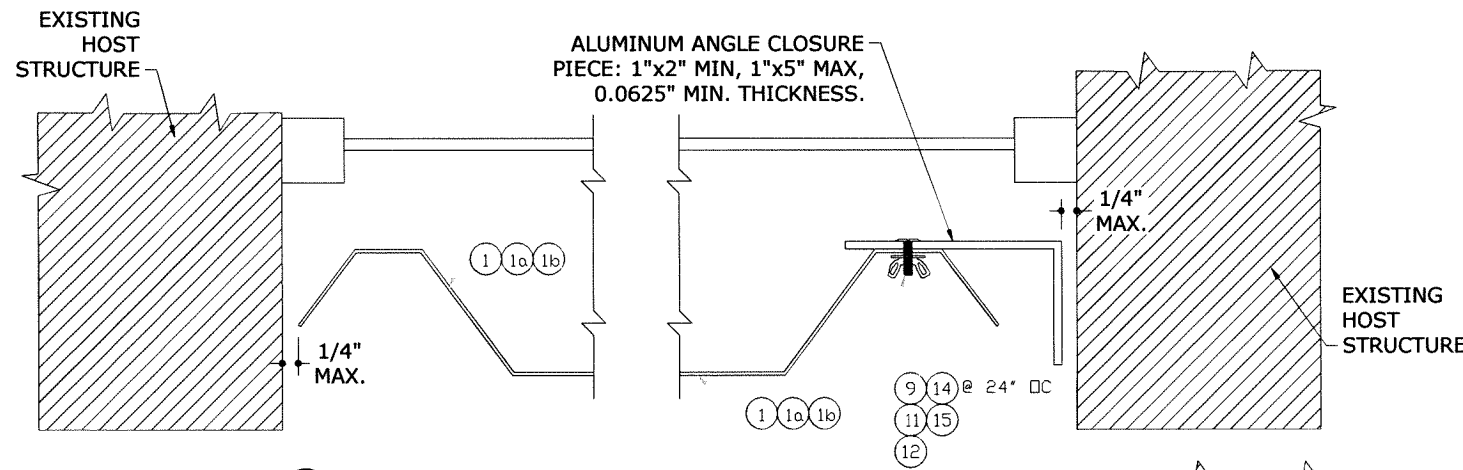


**P** STUD ANGLE THROUGH VENEER OVER STRUCTURAL BASE SECTION

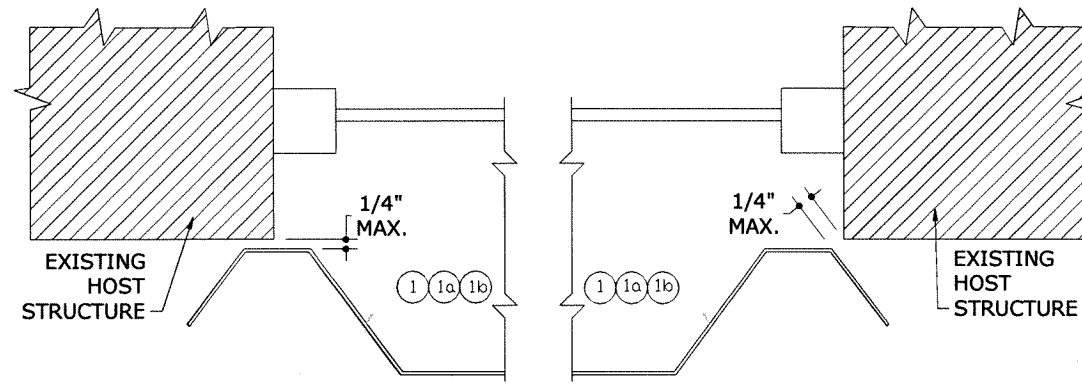
**CONNECTION TYPE C1**  
 ANCHOR PER ANCHOR SCHEDULE



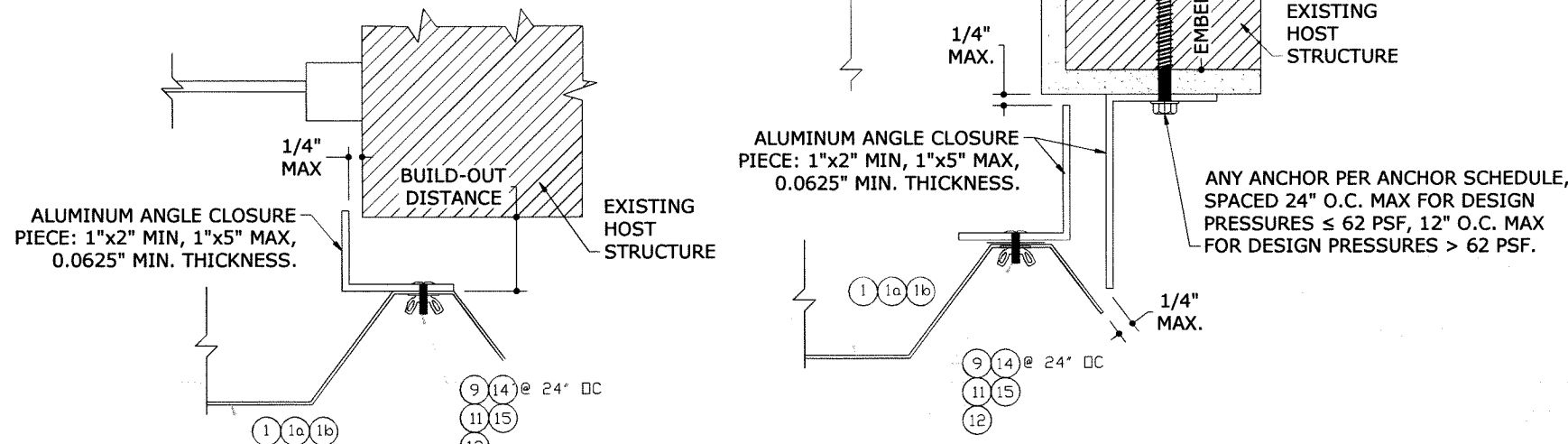
**Q** BUILD-OUT "F" TRACK THROUGH VENEER OVER STRUCTURAL BASE SECTION



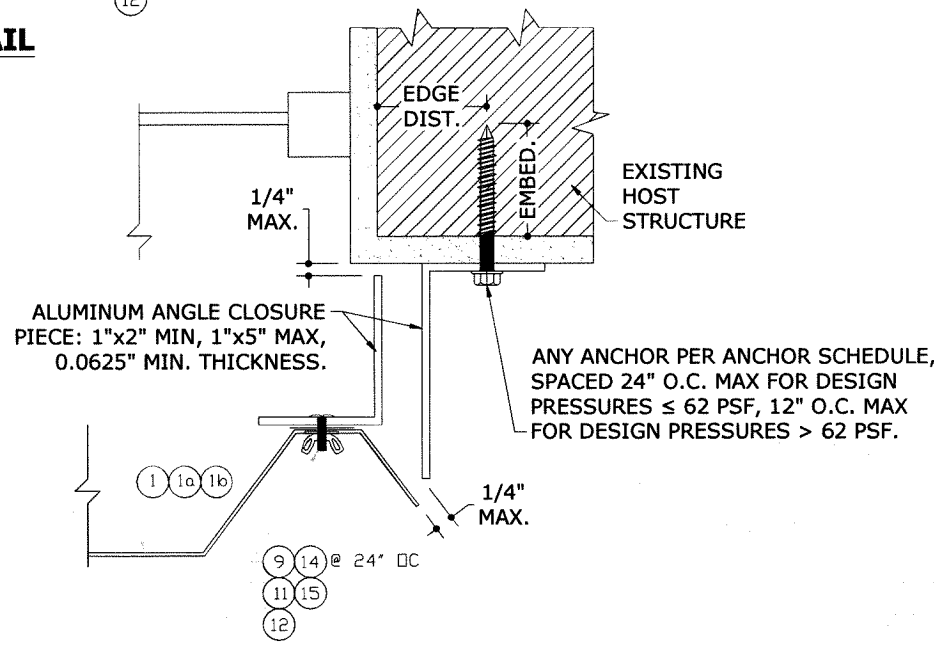
**R** TRAP MOUNT CLOSURE DETAIL



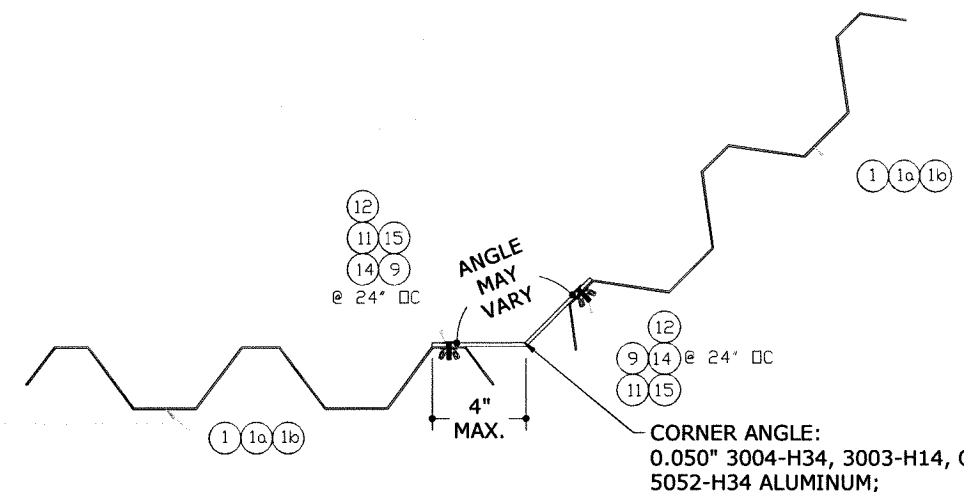
**S** WALL MOUNT CLOSURE DETAIL



**T** BUILD-OUT MOUNT CLOSURE DETAIL



**U** ALTERNATE CLOSURE DETAIL



**V** CORNER ANGLE DETAIL

FRANK BENNARDO, PE  
 PE# 96064 CA# F-11383

STATE OF TEXAS  
 11/23/2020

FRANK L. BENNARDO  
 96064  
 LICENSED PROFESSIONAL ENGINEER

ENGINEERING EXPRESS  
 CORPORATE OFFICE: 1106  
 DEERFIELD BEACH, FL 33442  
 (954) 354-0660 | (866) 396-9999  
 TEAM@ENGINEERINGEXPRESS.COM  
 ENGINEERINGEXPRESS.COM

**Town & Country**  
 INDUSTRIES  
 Wholesale Aluminum and Building Products  
 A Division of ABC Supply Co., Inc.

400 WEST MCNAB ROAD  
 FT. LAUDERDALE, FL 33309

DRWN	CHKD	DATE
CSL	FLB	4/01/15
RWN	FLB	8/01/17
CCB	RWN	8/17/20

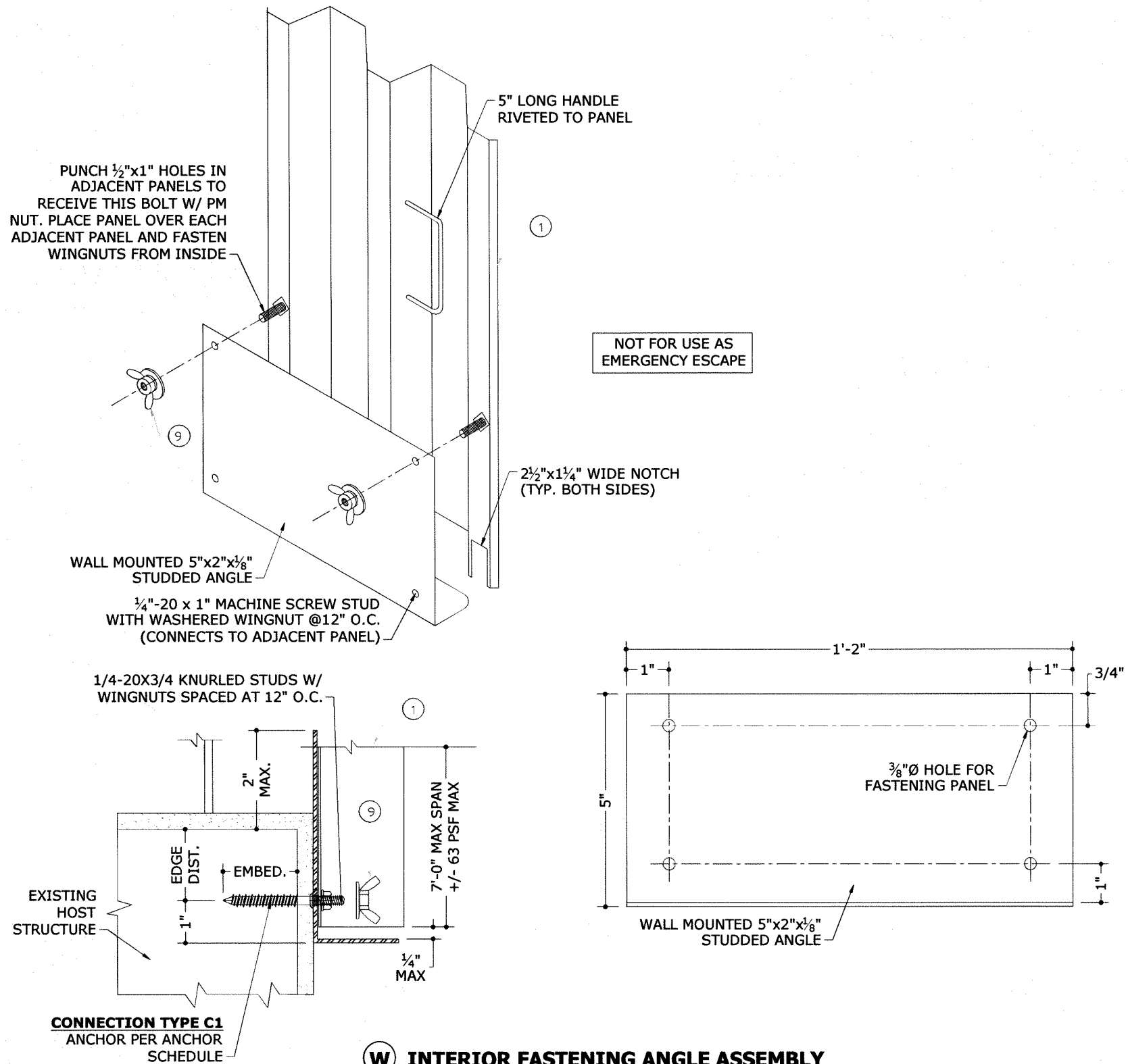
REMARKS  
 INIT/ISSUE  
 2017 FBC  
 2020 FBC

20-24244.10  
 SCALE: -  
 PAGE DESCRIPTION: -

CORNER ANGLE:  
 0.050" 3004-H34, 3003-H14, OR  
 5052-H34 ALUMINUM;  
 OR 20 GA GALV A36 STEEL

10

5



**W INTERIOR FASTENING ANGLE ASSEMBLY**  
 THESE DETAILS DEPICT THE CONNECTION OF ANY PANEL FOR AN OPENING WITH PANELS INSTALLED FROM INSIDE. USE OF THESE DETAILS SHALL BE IN CONJUNCTION WITH AN "H" HEADER OR "U" HEADER TOP MOUNT.

FRANK BENNARDO, PE  
 PE# 96064, CA# F-11383

STATE OF TEXAS  
 FRANK L. BENNARDO  
 96064  
 LICENSED PROFESSIONAL ENGINEER  
 ENGINEERING EXPRESS

ENGINEERING EXPRESS  
 CORPORATE OFFICE:  
 160 SW 12th AVE, SUITE 106  
 DEERFIELD BEACH, FL 33442  
 (954) 354-0660 | (866) 396-9999  
 TEAM@ENGINEERINGEXPRESS.COM  
 ENGINEERINGEXPRESS.COM

11/23/2020

**Town & Country**  
 INDUSTRIES  
 Wholesale Aluminum and Building Products  
 A Division of ABC Supply Co., Inc.  
 400 WEST MCNAB ROAD  
 FT. LAUDERDALE, FL 33309

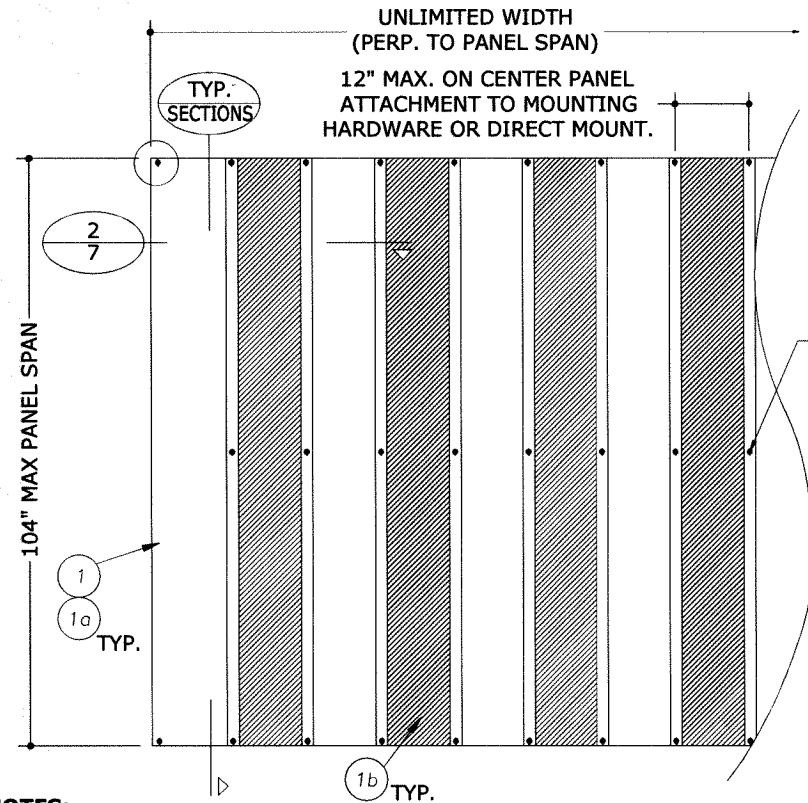
REMARKS	DRWN	CHKD	DATE
INIT ISSUE	CSL	FLB	4/01/15
2017 FBC	RWN	FLB	8/01/17
2020 FBC	CCB	RWN	6/17/20

20-24244.10

SCALE: -

PAGE DESCRIPTION:

10



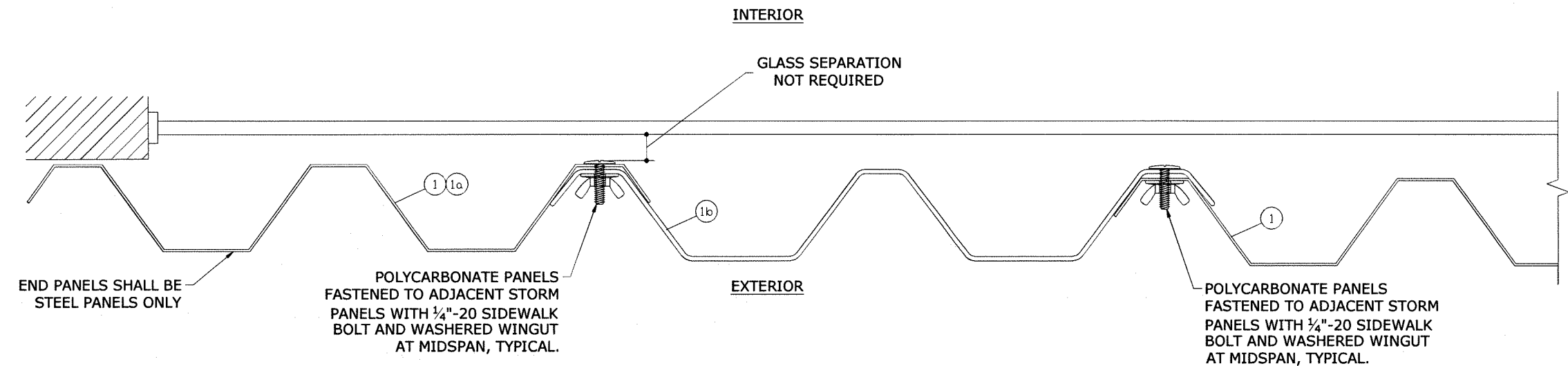
- NOTES:**
1. TOP MAY BE SLOPED OR RADIUS TO MATCH GEOMETRY OF OPENING. MOUNTING HARDWARE MUST BE ROLL-FORMED TO THE RADIUS; NO NOTCHING OF MOUNTING HARDWARE TO ACHIEVE SHAPES IS ALLOWED.
  2. STORM PANELS MAY BE MOUNTED VERTICALLY OR HORIZONTALLY.
  3. STEEL AND POLYCARBONATE PANELS SHALL ALTERNATE.
  4. END PANELS SHALL BE STEEL PANELS ONLY.

POLYCARBONATE PANELS FASTENED TO ADJACENT STORM PANELS WITH 1/4"-20 SIDEWALK BOLT AND WASHERED WINGUT AT MIDSPAN, TYPICAL.

TABLE 2 ALLOWABLE SPAN SCHEDULE (STEEL WITH POLYCARB PANELS)		
PANEL SPAN	ALLOWABLE DESIGN PRESSURE	
106"	+ 33.3 PSF	- 33.3 PSF
102"	+ 35.7 PSF	- 35.7 PSF
96"	+ 39.8 PSF	- 39.8 PSF
90"	+ 44.7 PSF	- 44.7 PSF
84"	+ 50.6 PSF	- 50.6 PSF
78"	+ 57.9 PSF	- 57.9 PSF
72"	+ 67.0 PSF	- 67.0 PSF

- TABLE 2 NOTES:**
- LINEAR INTERPOLATION BETWEEN SHUTTER SPANS IS NOT PERMITTED. FOR SPANS BETWEEN THOSE INDICATED ABOVE, THE DESIGN PRESSURES FOR THE NEXT HIGHER SPAN SHALL BE USED.
  - DESIGN PRESSURES NOTED IN TABLE 2 APPLY TO ALL MOUNTING AND ANCHORAGE CONDITIONS AND SHALL NOT BE EXCEEDED.

**1**  
**7** TYP. **TYPICAL ELEVATION WITH ALTERNATING STEEL AND POLYCARBONATE PANELS**  
N.T.S. EXTERIOR ELEV



**2**  
**7** N.T.S. **TYPICAL SECTION WITH ALTERNATING STEEL AND POLYCARBONATE PANELS**  
HORIZ SECTION

STATE OF TEXAS  
11/23/2020  
FRANK L. BENNARDO  
96064  
LICENSED PROFESSIONAL ENGINEER  
ENGINEERING EXPRESS  
CORPORATE OFFICE:  
160 SW 12th AVE, SUITE 106  
DEERFIELD BEACH, FL 33442  
(954) 354-0660 | (866) 396-9999  
TEAM@ENGINEERINGEXPRESS.COM  
ENGINEERINGEXPRESS.COM

**Town & Country**  
INDUSTRIES  
Wholesale Aluminum and Building Products  
A Division of ABC Supply Co., Inc.  
400 WEST MCNAB ROAD  
FT. LAUDERDALE, FL 33309

REMARKS	DRWN	CHKD	DATE
INIT ISSUE	CSL	FLB	4/01/15
2017 FBC	RWN	FLB	9/01/17
2020 FBC	CCB	RWN	6/17/20

20-24244.10  
SCALE: -  
PAGE DESCRIPTION:  
7

# ANCHOR SCHEDULES:

(SEE SHEET 10 FOR ANCHOR NOTES)

HOST STRUCT.	ANCHOR	LOAD (psf)	EDGE DISTANCES AS NOTED																
			Spans Up To 6'-0"					Spans Up To 8'-0"					Spans Up To 10'-0"						
			CONN TYPE					CONN TYPE					CONN TYPE						
			C1	C2	C3	C4	C5	C1	C2	C3	C4	C5	C1	C2	C3	C4	C5		
CONCRETE	1/4" ITW S.S. TAPCON WITH 1-3/4" EMBED AND 1" MIN. EDGE DISTANCE (3192 psi MIN CONCRETE)	35	16.0"	16.0"	16.0"	10.5"	16.0"	16.0"	16.0"	16.0"	7.9"	16.0"	16.0"	16.0"	16.0"	6.3"	16.0"		
		46	16.0"	16.0"	16.0"	8.0"	16.0"	16.0"	16.0"	16.0"	6.0"	16.0"	16.0"	16.0"	16.0"	4.7"	16.0"		
		57	16.0"	16.0"	16.0"	6.5"	16.0"	16.0"	16.0"	16.0"	4.8"	16.0"	16.0"	16.0"	13.9"	16.0"	3.8"	11.5"	
		67	16.0"	16.0"	16.0"	5.5"	16.0"	16.0"	16.0"	16.0"	4.0"	13.1"	16.0"	10.9"	16.0"	3.2"	8.6"		
		78	16.0"	16.0"	16.0"	4.7"	16.0"	16.0"	12.1"	16.0"	3.4"	9.7"	14.3"	8.8"	14.3"	6.7"			
		89	16.0"	15.4"	16.0"	4.1"	13.2"	15.7"	10.0"	15.7"	3.0"	7.7"	12.6"	7.4"	12.6"	5.5"			
	100	16.0"	12.8"	16.0"	3.6"	10.4"	14.0"	8.5"	14.0"	6.4"	11.2"	6.4"	10.8"	4.6"					
	35	16.0"	16.0"	16.0"	16.0"	16.0"	16.0"	16.0"	16.0"	13.0"	16.0"	16.0"	16.0"	16.0"	10.4"	16.0"			
	46	16.0"	16.0"	16.0"	13.1"	16.0"	16.0"	16.0"	16.0"	9.8"	16.0"	16.0"	16.0"	16.0"	7.7"	16.0"			
	57	16.0"	16.0"	16.0"	10.6"	16.0"	16.0"	16.0"	16.0"	7.8"	16.0"	16.0"	13.7"	16.0"	6.1"	11.4"			
	67	16.0"	16.0"	16.0"	8.9"	16.0"	16.0"	15.1"	16.0"	6.5"	12.9"	16.0"	10.8"	16.0"	5.1"	8.5"			
	78	16.0"	16.0"	16.0"	7.5"	16.0"	16.0"	11.9"	16.0"	5.5"	9.6"	14.2"	8.7"	14.2"	4.4"	6.6"			
	89	16.0"	15.2"	16.0"	6.5"	13.0"	15.5"	9.9"	15.5"	4.8"	7.6"	12.4"	7.3"	12.4"	5.4"				
	100	16.0"	12.7"	16.0"	5.8"	10.3"	13.8"	8.4"	13.8"	4.3"	6.3"	11.0"	6.3"	10.7"	4.6"				
	35	16.0"	16.0"	16.0"	16.0"	16.0"	16.0"	16.0"	16.0"	16.0"	16.0"	16.0"	16.0"	16.0"	15.8"	16.0"			
	46	16.0"	16.0"	16.0"	16.0"	16.0"	16.0"	16.0"	16.0"	15.0"	16.0"	16.0"	16.0"	16.0"	11.8"	16.0"			
	57	16.0"	16.0"	16.0"	16.0"	16.0"	16.0"	16.0"	16.0"	11.9"	16.0"	16.0"	16.0"	16.0"	9.3"	16.0"			
	67	16.0"	16.0"	16.0"	13.6"	16.0"	16.0"	16.0"	16.0"	10.0"	16.0"	16.0"	16.0"	16.0"	7.9"	13.7"			
	78	16.0"	16.0"	16.0"	11.5"	16.0"	16.0"	16.0"	16.0"	8.5"	15.5"	16.0"	14.0"	16.0"	6.7"	10.7"			
	89	16.0"	16.0"	16.0"	10.0"	16.0"	16.0"	15.9"	16.0"	7.4"	12.3"	16.0"	11.8"	16.0"	5.8"	8.7"			
100	16.0"	16.0"	16.0"	8.8"	16.0"	16.0"	13.6"	16.0"	6.5"	10.2"	16.0"	10.1"	16.0"	5.2"	7.4"				
35	16.0"	16.0"	16.0"	13.6"	16.0"	16.0"	16.0"	16.0"	10.2"	16.0"	16.0"	16.0"	16.0"	8.2"	16.0"				
46	16.0"	16.0"	16.0"	10.4"	16.0"	16.0"	16.0"	16.0"	7.7"	16.0"	16.0"	14.0"	16.0"	6.0"	13.1"				
57	16.0"	16.0"	16.0"	8.4"	16.0"	16.0"	14.3"	16.0"	6.1"	13.4"	13.8"	9.8"	13.8"	4.8"	8.1"				
67	16.0"	16.0"	16.0"	7.0"	16.0"	14.7"	10.8"	14.7"	5.1"	9.2"	11.7"	7.7"	11.7"	4.0"	6.0"				
78	16.0"	13.6"	16.0"	5.9"	12.5"	12.6"	8.5"	12.6"	4.3"	6.8"	10.1"	6.2"	10.1"	3.4"	4.7"				
89	14.7"	10.9"	14.7"	5.1"	9.3"	11.1"	7.0"	11.1"	3.8"	5.4"	8.8"	5.2"	8.8"	3.9"					
100	13.1"	9.0"	13.1"	4.5"	7.4"	9.8"	6.0"	9.8"	3.3"	4.5"	7.9"	4.5"	7.6"	3.3"					
35	16.0"	16.0"	16.0"	11.3"	16.0"	16.0"	16.0"	16.0"	8.5"	16.0"	13.0"	13.0"	13.0"	6.8"	13.0"				
46	16.0"	16.0"	16.0"	8.6"	16.0"	12.4"	12.4"	12.4"	6.4"	12.4"	9.9"	8.1"	9.9"	4.9"	7.6"				
57	13.3"	13.3"	13.3"	6.9"	13.3"	10.0"	8.3"	10.0"	5.0"	7.7"	8.0"	5.7"	8.0"	3.9"	4.7"				
67	11.3"	10.5"	11.3"	5.8"	11.2"	8.5"	6.3"	8.5"	4.2"	5.3"	6.8"	4.4"	6.8"	3.3"	3.5"				
78	9.7"	7.9"	9.7"	4.9"	7.3"	7.3"	4.9"	7.3"	3.5"	4.0"	5.8"	3.6"	5.8"						
89	8.5"	6.3"	8.5"	4.2"	5.4"	6.4"	4.1"	6.4"	3.0"	3.2"	5.1"	3.0"	5.1"						
100	7.6"	5.2"	7.6"	3.7"	4.3"	5.7"	3.5"	5.7"			4.6"		4.4"						

HOST STRUCT.	ANCHOR	LOAD (psf)	EDGE DISTANCES AS NOTED																
			Spans Up To 6'-0"					Spans Up To 8'-0"					Spans Up To 10'-0"						
			CONN TYPE					CONN TYPE					CONN TYPE						
			C1	C2	C3	C4	C5	C1	C2	C3	C4	C5	C1	C2	C3	C4	C5		
CONCRETE	1/4" MILLENNIUM MILLFAST WITH 1-3/4" EMBED AND 2-1/2" EDGE DISTANCE (3275psi MIN CONCRETE)	35	16.0"	16.0"	16.0"	16.0"	16.0"	16.0"	16.0"	16.0"	16.0"	16.0"	16.0"	16.0"	15.3"	16.0"			
		46	16.0"	16.0"	16.0"	16.0"	16.0"	16.0"	16.0"	16.0"	14.5"	16.0"	16.0"	16.0"	11.2"	16.0"			
		57	16.0"	16.0"	16.0"	15.7"	16.0"	16.0"	16.0"	16.0"	11.3"	16.0"	16.0"	13.0"	16.0"	8.8"	10.8"		
		67	16.0"	16.0"	16.0"	13.1"	16.0"	16.0"	14.3"	16.0"	9.4"	12.2"	15.6"	10.2"	15.6"	7.4"	8.0"		
		78	16.0"	16.0"	16.0"	11.0"	16.0"	16.0"	11.3"	16.0"	8.0"	9.1"	13.4"	8.2"	13.4"	6.3"	6.2"		
		89	16.0"	14.4"	16.0"	9.5"	12.3"	14.7"	9.3"	14.7"	6.9"	7.2"	11.7"	6.9"	11.7"	5.4"	5.1"		
	100	16.0"	12.0"	16.0"	8.3"	9.8"	13.1"	7.9"	13.1"	6.1"	6.0"	10.4"	5.9"	10.1"	4.8"	4.3"			
	35	16.0"	16.0"	16.0"	16.0"	16.0"	16.0"	16.0"	16.0"	13.5"	16.0"	16.0"	16.0"	16.0"	10.8"	16.0"			
	46	16.0"	16.0"	16.0"	13.7"	16.0"	16.0"	16.0"	16.0"	10.3"	16.0"	16.0"	14.8"	16.0"	8.0"	13.8"			
	57	16.0"	16.0"	16.0"	11.1"	16.0"	16.0"	15.0"	16.0"	8.0"	14.1"	14.6"	10.3"	14.6"	6.3"	8.6"			
	67	16.0"	16.0"	16.0"	9.3"	16.0"	15.5"	11.4"	15.5"	6.7"	9.7"	12.4"	8.1"	12.4"	5.3"	6.4"			
	78	16.0"	14.3"	16.0"	7.8"	13.2"	13.3"	9.0"	13.3"	5.7"	7.2"	10.6"	6.5"	10.6"	4.5"	5.0"			
	89	15.6"	11.5"	15.6"	6.7"	9.8"	11.7"	7.4"	11.7"	4.9"	5.7"	9.3"	5.5"	9.3"	4.1"				
	100	13.8"	9.5"	13.8"	5.9"	7.8"	10.4"	6.3"	10.4"	4.3"	4.8"	8.3"	4.7"	8.1"					
	35	16.0"	16.0"	16.0"	16.0"	16.0"	16.0"	16.0"	16.0"	13.7"	16.0"	16.0"	16.0"	16.0"	11.0"	16.0"			
	46	16.0"	16.0"	16.0"	13.9"	16.0"	16.0"	16.0"	16.0"	10.4"	16.0"	16.0"	16.0"	16.0"	8.1"	16.0"			
	57	16.0"	16.0"	16.0"	11.2"	16.0"	16.0"	16.0"	16.0"	8.2"	16.0"	16.0"	13.3"	16.0"	6.4"	11.0"			
	67	16.0"	16.0"	16.0"	9.4"	16.0"	16.0"	14.7"	16.0"	6.9"	12.5"	16.0"	10.4"	16.0"	5.4"	8.2"			
	78	16.0"	16.0"	16.0"	8.0"	16.0"	16.0"	11.6"	16.0"	5.8"	9.3"	13.7"	8.4"	13.7"	4.6"	6.4"			
	89	16.0"	14.8"	16.0"	6.9"	12.6"	15.0"	9.6"	15.0"	5.1"	7.4"	12.0"	7.1"	12.0"	4.0"	5.2"			
100	16.0"	12.3"	16.0"	6.1"	10.0"	13.4"	8.1"	13.4"	4.5"	6.2"	10.7"	6.1"	10.4"	3.6"	4.4"				
35	16.0"	16.0"	16.0"	16.0"	16.0"	16.0"	16.0"	16.0"	16.0"	16.0"	16.0"	16.0"	16.0"	15.6"	16.0"				
46	16.0"	16.0"	16.0"	16.0"	16.0"	16.0"	16.0"	16.0"	14.8"	16.0"	16.0"	16.0"	16.0"	11.5"	16.0"				
57	16.0"	16.0"	16.0"	16.0"	16.0"	16.0"	16.0"	16.0"	11.7"	16.0"	16.0"	16.0"	16.0"	9.1"	14.2"				
67	16.0"	16.0"	16.0"	13.4"	16.0"	16.0"	16.0"	16.0"	9.8"	16.0"	16.0"	13.4"	16.0"	7.7"	10.5"				
78	16.0"	16.0"	16.0"	11.3"	16.0"	16.0"	14.9"	16.0"	8.3"	11.9"	16.0"	10.8"	16.0"	6.5"	8.2"				
89	16.0"	16.0"	16.0"	9.8"	16.0"	16.0"	12.3"	16.0"	7.2"	9.5"	15.4"	9.1"	15.4"	5.7"	6.7"				
100	16.0"	15.8"	16.0"	8.6"	12.8"	16.0"	10.5"	16.0"	6.3"	7.9"	13.7"	7.8"	13.3"	5.0"	5.7"				

HOST STRUCT.	ANCHOR	LOAD (psf)	EDGE DISTANCES AS NOTED															
			Spans Up To 6'-0"					Spans Up To 8'-0"					Spans Up To 10'-0"					
			CONN TYPE					CONN TYPE					CONN TYPE					
			C1	C2	C3	C4	C5	C1	C2	C3	C4	C5	C1	C2	C3	C4	C5	
CONCRETE	1/4" ITW S.S. TAPCON WITH 1-3/4" EMBED AND 2-1/2" MIN. EDGE DISTANCE (3192 psi MIN CONCRETE)	35	16.0"	16.0"	16.0"	16.0"	16.0"	16.0"	16.0"	16.0"	16.0"	16.0"	16.0"	16.0"	16.0"	16.0"	16.0"	16.0"
		46	16.0"	16.0"	16.0"	16.0"	16.0"	16.0"	16.0"	16.0"	16.0"	16.0"	16.0"	16.0"	16.0"	16.0"	16.0"	16.0"
		57	16.0"	16.0"	16.0"	15.8"	16.0"	16.0"	16.0"	16.0"	16.0"	16.0"	16.0"	16.0"	16.0"	16.0"	16.0"	16.0"
		67	16.0"	16.0"	16.0"	13.3"	16.0"	16.0"	16.0"	16.0"	16.0"	16.0"	16.0"	16.0"	16.0"	16.0"	16.0"	16.0"
		78	16.0"	16.0"	16.0"	11.2"	16.0"	16.0"	16.0"	16.0"	14.2"	16.0"	16.0"	16.0"	16.0"	16.0"	16.0"	16.0"
		89	16.0"	16.0"	16.0"	9.7"	15.5"	16.0"	11.7"	16.0"	7.1"	9.1"	14.8"	8.7"	14.8"	5.6"	6.4"	
	100	16.0"	15.1"	16.0"	8.5"	12.3"	16.0"	10.0"	16.0"	6.3"	7.5"	13.1"	7.5"	12.7"	5.0"	5.4"		
	35	16.0"	16.0"	16.0"	16.0"	16.0"	16.0"	16.0"	16.0"	16.0"	16.0"	16.0"	16.0"	16.0"	16.0"	16.0"	16.0"	16.0"
	46	16.0"	16.0"	16.0"	16.0"	16.0"	16.0"	16.0"	16.0"	16.0"	16.0"	16.0"	16.0"	16.0"	16.0"	16.0"	16.0"	16.0"
	57	16.0"	16.0"	16.0"	16.0"	16.0"	16.0"	16.0"	16.0"	16.0"	16.0"	16.0"	16.0"	16.0"	16.0"	16.0"	16.0"	16.0"
	67	16.0"	16.0"	16.0"	13.5"	16.0"	16.0"	16.0"</										



# ANCHOR SCHEDULES (CONTINUED):

C:\Users\rickn\Engineering\Express\Production - Documents\Projects\20-24244 Town & Country - TDI Updates\WP10 - SHU (New) 24gs Steel Storm Panels\20-24244\_10 24gs Steel Storm Panels (TDI).dwg  
11/23/2020 - 3:19pm rickn

HOST STRUCT.	ANCHOR	LOAD (psf)	EDGE DISTANCES AS NOTED														
			Spans Up To 6'-0"					Spans Up To 8'-0"					Spans Up To 10'-0"				
			CONN TYPE					CONN TYPE					CONN TYPE				
C1	C2	C3	C4	C5	C1	C2	C3	C4	C5	C1	C2	C3	C4	C5			
HOLLOW CONCRETE BLOCK	1/4" ITW S.S. TAPCON WITH 1-1/4" MIN. EMBED AND 2-1/2" MIN. EDGE DISTANCE	35	14.6"	14.6"	14.6"	9.1"	14.6"	11.0"	11.0"	11.0"	6.8"	11.0"	8.8"	8.8"	5.5"	8.8"	
		46	11.1"	11.1"	11.1"	6.9"	11.1"	8.3"	8.3"	8.3"	5.2"	8.3"	6.7"	5.5"	6.7"	4.0"	5.1"
		57	9.0"	9.0"	9.0"	5.6"	9.0"	6.7"	5.6"	6.7"	4.0"	5.2"	5.4"	3.8"	5.4"	3.1"	3.2"
		67	7.6"	7.1"	7.6"	4.6"	7.5"	5.7"	4.2"	5.7"	3.3"	3.6"	4.6"		4.6"		
		78	6.6"	5.3"	6.6"	3.9"	4.9"	4.9"	3.3"	4.9"		3.9"			3.9"		
		89	5.8"	4.2"	5.8"	3.3"	3.6"	4.3"		4.3"		3.5"			3.5"		
		100	5.1"	3.5"	5.1"			3.8"		3.8"		3.1"			3.1"		
		35	16.0"	16.0"	16.0"	8.3"	16.0"	12.0"	12.0"	12.0"	6.2"	12.0"	9.6"	9.6"	9.6"	5.0"	9.6"
		46	12.2"	12.2"	12.2"	6.3"	12.2"	9.1"	9.1"	9.1"	4.7"	9.1"	7.3"	6.0"	7.3"		5.6"
		57	9.8"	9.8"	9.8"	5.1"	9.8"	7.4"	6.1"	7.4"		5.7"	5.9"	4.2"	5.9"		
67	8.4"	7.8"	8.4"	4.2"	8.2"	6.3"	4.6"	6.3"		5.0"			5.0"				
78	7.2"	5.8"	7.2"		5.3"	5.4"		5.4"		4.3"			4.3"				
89	6.3"	4.6"	6.3"		4.7"	4.7"		4.7"									
100	5.6"		5.6"		4.2"	4.2"		4.2"									
HOLLOW CONCRETE BLOCK	1/4" DEWALT ULTRACON WITH 1-1/4" MIN. EMBED AND 2-1/2" MIN. EDGE DISTANCE	35	16.0"	16.0"	16.0"	8.3"	16.0"	12.0"	12.0"	12.0"	6.2"	12.0"	9.6"	9.6"	9.6"	5.0"	9.6"
		46	12.2"	12.2"	12.2"	6.3"	12.2"	9.1"	9.1"	9.1"	4.7"	9.1"	7.3"	6.0"	7.3"		5.6"
		57	9.8"	9.8"	9.8"	5.1"	9.8"	7.4"	6.1"	7.4"		5.7"	5.9"	4.2"	5.9"		
		67	8.4"	7.8"	8.4"	4.2"	8.2"	6.3"	4.6"	6.3"		5.0"			5.0"		
		78	7.2"	5.8"	7.2"		5.3"	5.4"		5.4"		4.3"			4.3"		
		89	6.3"	4.6"	6.3"		4.7"	4.7"		4.7"							
		100	5.6"		5.6"		4.2"	4.2"		4.2"							
		35	16.0"	16.0"	16.0"	15.9"	16.0"	16.0"	16.0"	11.9"	16.0"	16.0"	16.0"	16.0"	9.6"	16.0"	
		46	16.0"	16.0"	16.0"	12.1"	16.0"	16.0"	16.0"	9.1"	16.0"	16.0"	16.0"	16.0"	7.1"	15.5"	
		57	16.0"	16.0"	16.0"	9.8"	16.0"	16.0"	16.0"	7.1"	15.8"	16.0"	11.6"	16.0"	5.6"	9.6"	
67	16.0"	16.0"	16.0"	8.2"	16.0"	16.0"	12.8"	6.0"	10.9"	13.9"	9.1"	13.9"	4.7"	7.1"			
78	16.0"	16.0"	16.0"	6.9"	14.8"	14.9"	10.1"	14.9"	5.1"	8.1"	11.9"	7.3"	11.9"	4.0"	5.6"		
89	16.0"	12.8"	16.0"	6.0"	11.0"	13.1"	8.3"	13.1"	4.4"	6.4"	10.5"	6.2"	10.5"	3.5"	4.6"		
100	15.5"	10.7"	15.5"	5.3"	8.7"	11.6"	7.1"	11.6"	3.9"	5.4"	9.3"	5.3"	9.0"	3.1"	3.9"		
HOLLOW CONCRETE BLOCK	1/4" ITW TAPCON SG W/ 1-1/4" MIN EMBED AND 2-1/2" MIN. EDGE DISTANCE	35	16.0"	16.0"	16.0"	13.4"	16.0"	16.0"	16.0"	10.1"	16.0"	16.0"	16.0"	8.1"	16.0"		
		46	16.0"	16.0"	16.0"	10.2"	16.0"	16.0"	16.0"	7.6"	16.0"	14.9"	12.2"	14.9"	5.9"	11.4"	
		57	16.0"	16.0"	16.0"	8.2"	16.0"	15.1"	12.4"	15.1"	6.0"	11.7"	12.1"	8.5"	12.1"	4.7"	7.1"
		67	16.0"	15.9"	16.0"	6.9"	16.0"	12.8"	9.4"	12.8"	5.0"	8.0"	10.3"	6.7"	10.3"	3.9"	5.3"
		78	14.7"	11.9"	14.7"	5.8"	10.9"	11.0"	7.4"	11.0"	4.3"	6.0"	8.8"	5.4"	8.8"	3.4"	4.1"
		89	12.9"	9.5"	12.9"	5.0"	8.1"	9.7"	6.1"	9.7"	3.7"	4.8"	7.7"	4.5"	7.7"		3.4"
		100	11.5"	7.9"	11.5"	4.4"	6.4"	8.6"	5.2"	8.6"	3.3"	4.0"	6.9"	3.9"	6.7"		
		35	15.4"	15.4"	15.4"	6.6"	15.4"	11.5"	11.5"	11.5"	5.0"	11.5"	9.2"	9.2"	9.2"		9.2"
		46	11.7"	11.7"	11.7"	5.1"	11.7"	8.8"	8.8"	8.8"		8.8"	7.0"	5.7"	7.0"		5.4"
		57	9.4"	9.4"	9.4"	4.1"	9.4"	7.1"	5.8"	7.1"		5.5"	5.7"	4.0"	5.7"		
67	8.0"	7.5"	8.0"		7.9"	6.0"	4.4"	6.0"		4.8"			4.8"				
78	6.9"	5.6"	6.9"		5.1"	5.2"		5.2"		4.1"			4.1"				
89	6.0"	4.4"	6.0"		4.5"	4.5"		4.5"									
100	5.4"		5.4"		4.0"	4.0"		4.0"									
HOLLOW CONCRETE BLOCK	1/4" MILLENIUM MILLFAST ANCHOR W/ 1-1/4" EMBED AND 1" EDGE DISTANCE	35	16.0"	16.0"	16.0"	10.0"	16.0"	12.7"	12.7"	7.5"	12.7"	10.1"	10.1"	10.1"	6.0"	10.1"	
		46	12.9"	12.9"	12.9"	7.6"	12.9"	9.7"	9.7"	9.7"	5.7"	9.7"	7.7"	6.3"	7.7"	4.4"	5.9"
		57	10.4"	10.4"	10.4"	6.2"	10.4"	7.8"	6.4"	7.8"	4.4"	6.0"	6.2"	4.4"	6.2"		
		67	8.8"	8.2"	8.8"	5.1"	8.7"	6.6"	4.9"	6.6"		4.1"	5.3"		5.3"		
		78	7.6"	6.1"	7.6"	4.3"	5.6"	5.7"		5.7"		4.6"			4.6"		
		89	6.7"	4.9"	6.7"		4.2"	5.0"		5.0"							
		100	5.9"	4.1"	5.9"		4.4"	4.4"		4.4"							
		35	16.0"	16.0"	16.0"	12.2"	16.0"	16.0"	16.0"	9.2"	16.0"	15.8"	15.8"	15.8"	7.3"	15.8"	
		46	16.0"	16.0"	16.0"	9.3"	16.0"	15.0"	15.0"	9.9"	15.0"	12.0"	9.8"	12.0"	5.4"	9.2"	
		57	16.0"	16.0"	16.0"	7.5"	16.0"	12.1"	10.0"	12.1"	5.4"	9.4"	9.7"	6.9"	9.7"	4.2"	5.7"
67	13.7"	12.8"	13.7"	6.3"	13.5"	10.3"	7.6"	10.3"	4.5"	6.5"	8.2"	5.4"	8.2"	3.6"	4.2"		
78	11.8"	9.5"	11.8"	5.3"	8.9"	6.0"	8.9"	3.8"	4.8"	7.1"	4.3"	7.1"	3.0"	3.3"			
89	10.3"	7.6"	10.3"	4.6"	6.5"	7.8"	4.9"	7.8"	3.3"	3.8"	6.2"	3.6"	6.2"				
100	9.2"	6.3"	9.2"	4.0"	5.2"	6.9"	4.2"	6.9"		3.2"	5.5"	3.1"	5.4"				
HOLLOW CONCRETE BLOCK	1/4" EA MALE BOLT, 1-1/4" EMBED AND 1.25" EDGE DISTANCE	35	16.0"	16.0"	16.0"	16.0"	16.0"	16.0"	16.0"	13.4"	16.0"	16.0"	16.0"	16.0"	10.7"	16.0"	
		46	16.0"	16.0"	16.0"	13.6"	16.0"	16.0"	16.0"	10.2"	16.0"	16.0"	15.6"	16.0"	7.9"	14.5"	
		57	16.0"	16.0"	16.0"	11.0"	16.0"	16.0"	15.8"	16.0"	8.0"	14.8"	15.3"	10.8"	15.3"	6.2"	9.0"
		67	16.0"	16.0"	16.0"	9.2"	16.0"	16.0"	12.0"	16.0"	6.7"	10.2"	13.0"	8.5"	13.0"	5.2"	6.7"
		78	16.0"	15.1"	16.0"	7.7"	13.9"	14.0"	9.4"	14.0"	5.6"	7.6"	11.2"	6.9"	11.2"	4.4"	5.2"
		89	16.0"	12.0"	16.0"	6.7"	10.3"	12.3"	7.8"	12.3"	4.9"	6.0"	9.8"	5.8"	9.8"		4.3"
		100	14.6"	10.0"	14.6"	5.9"	8.2"	10.9"	6.6"	10.9"	4.3"	5.0"	8.7"	5.0"	8.5"		

HOST STRUCT.	ANCHOR	LOAD (psf)	EDGE DISTANCES AS NOTED														
			Spans Up To 6'-0"					Spans Up To 8'-0"					Spans Up To 10'-0"				
			CONN TYPE					CONN TYPE					CONN TYPE				
C1	C2	C3	C4	C5	C1	C2	C3	C4	C5	C1	C2	C3	C4	C5			
HOLLOW CONCRETE BLOCK	1/4" ITW S.S. TAPCON WITH 1-1/4" MIN. EMBED AND 1" MIN. EDGE DISTANCE	35	10.7"	10.7"	10.7"	4.8"	10.7"	8.0"	8.0"	8.0"	3.6"	8.0"	6.4"	6.4"	6.4"	6.4"	
		46	8.1"	8.1"	8.1"	3.6"	8.1"	6.1"	6.1"	6.1"		6.1"	4.9"	4.0"	4.9"	3.7"	
		57	6.6"	6.6"	6.6"		6.6"	4.9"	4.1"	4.9"		3.8"	3.9"		3.9"		
		67	5.6"	5.2"	5.6"		5.5"	4.2"	3.1"	4.2"			3.4"		3.4"		
		78	4.8"	3.9"	4.8"		3.6"	3.6"		3.6"							
		89	4.2"	3.1"	4.2"		3.2"	3.2"		3.2"							
		100	3.7"		3.7"												
		35	16.0"	16.0"	16.0"	8.9"	16.0"	12.0"	12.0"	12.0"	6.7"	12.0"	9.6"	9.6"	9.6"	5.4"	9.6"
		46	12.2"	12.2"	12.2"	6.8"	12.2"	9.1"	9.1"	9.1"	5.1"	9.1"	7.3"	6.0"	7.3"		5.6"
		57	9.8"	9.8"	9.8"	5.5"	9.8"	7.4"	6.1"	7.4"		5.7"	5.9"	4.2"	5.9"		
67	8.4"	7.8"	8.4"	4.6"	8.2"	6.3"	4.6"	6.3"		5.0"			5.0"				
78	7.2"	5.8"	7.2"		5.3"	5.4"		5.4"		4.3"			4.3"				
89	6.3"	4.6"	6.3"		4.7"	4.7"		4.7"									
100	5.6"		5.6"		4.2"	4.2"		4.2"									
HOLLOW CONCRETE BLOCK	1/4" DEWALT ULTRACON WITH 1-1/4" MIN. EMBED AND 2" MIN. EDGE DISTANCE	35	16.0"	16.0"	16.0"	12.3"	16.0"	16.0"	16.0"	9.2"	16.0"	15.0"	15.0"	15.0"	7.4"	15.0"	
		46	16.0"	16.0"	16.0"	9.4"	16.0"	14.2"	14.2"	14.2"	7.0"	14.2"	11.4"	9.3"	11.4"	5.4"	8.7"
		57	15.3"	15.3"	15.3"	7.5"	15.3"	11.5"	9.5"	11.5"	5.5"	8.9"	9.2"	6.5"	9.2"	4.3"	5.4"
		67	13.0"	12.1"	13.0"	6.3"	12.8"	9.8"	7.2"	9.8"	4.6"	6.1"	7.8"	5.1"	7.8"		4.0"
		78	11.2"	9.0"	11.2"	5.3"	8.3"	8.4"	5.7"	8.4"		4.6"	6.7"	4.1"	6.7"		
		89	9.8"	7.2"	9.8"	4.6"	6.2"	7.4"	4.7"	7.4"		5.9"			5.9"		
		100	8.7"	6.0"	8.7"	4.0"	4.9"	6.5"		6.5"		5.2"			5.1"		
		35	16.0"	16.0"	16.0"	9.6"	16.0"	16.0"	16.0"	7.2"	16.0"	16.0"	16.0"	16.0"	5.8"	16.0"	
		46	16.0"	16.0"	16.0"	7.3"	16.0"	16.0"	16.0"	5.5"	16.0"	16.0"	16.0"	16.0"	4.3"	15.5"	
		57	16.0"	16.0"	16.0"	5.9"	16.0"	16.0"	16.0"	4.4"	15.8"	16.0"	11.6"	16.0"	3.4"	9.6"	
67	16.0"	16.0"	16.0"	5.0"	16.0"	16.0"	12.8"	6.0"	10.9"	13.9"	9.1"	13.9"		7.1"			
78	16.0"	16.0"	16.0"	4.2"	14.8"	14.9"	10.1"	14.9"	3.1"	8.1"	11.9"	7.3"	11.9"	5.6"			
89																	

HOST STRUCT.	ANCHOR	LOAD (psf)	EDGE DISTANCES AS NOTED														
			Spans Up To 6'-0" CONN TYPE					Spans Up To 8'-0" CONN TYPE					Spans Up To 10'-0" CONN TYPE				
			C1	C2	C3	C4	C5	C1	C2	C3	C4	C5	C1	C2	C3	C4	C5
GROUT-FILLED CONCRETE BLOCK	1/4" DEWALT ULTRACON, 2 1/4" EMBED AND 2.5" MIN. EDGE DISTANCE	35	16.0"	16.0"	16.0"	16.0"	16.0"	16.0"	16.0"	13.3"	16.0"	16.0"	16.0"	16.0"	16.0"	10.6"	16.0"
		46	16.0"	16.0"	16.0"	13.5"	16.0"	16.0"	16.0"	16.0"	10.1"	16.0"	16.0"	16.0"	16.0"	7.9"	16.0"
		57	16.0"	16.0"	16.0"	10.9"	16.0"	16.0"	16.0"	16.0"	7.9"	16.0"	16.0"	12.2"	16.0"	6.2"	10.1"
		67	16.0"	16.0"	16.0"	9.1"	16.0"	16.0"	13.5"	16.0"	6.7"	11.5"	14.7"	9.6"	14.7"	5.2"	7.5"
		78	16.0"	16.0"	16.0"	7.7"	15.7"	15.8"	10.6"	15.8"	5.7"	8.6"	12.6"	7.7"	12.6"	4.5"	5.9"
	1/4" EA MALE BOLT, 2-1/4" EMBED AND 1.25" MIN. EDGE DISTANCE	89	16.0"	13.6"	16.0"	6.7"	11.6"	13.8"	8.8"	13.8"	4.9"	6.8"	11.1"	6.5"	11.1"	4.8"	4.8"
		100	16.0"	11.3"	16.0"	5.9"	9.2"	12.3"	7.5"	12.3"	4.3"	5.7"	9.8"	5.6"	9.5"	4.1"	4.1"
		35	16.0"	16.0"	16.0"	16.0"	16.0"	16.0"	16.0"	16.0"	14.4"	16.0"	16.0"	16.0"	16.0"	11.5"	16.0"
		46	16.0"	16.0"	16.0"	14.6"	16.0"	16.0"	16.0"	16.0"	10.9"	16.0"	16.0"	16.0"	16.0"	8.5"	16.0"
		57	16.0"	16.0"	16.0"	11.8"	16.0"	16.0"	16.0"	16.0"	8.6"	16.0"	16.0"	12.9"	16.0"	6.7"	10.7"
1/4" EA MALE BOLT, 2-1/2" EMBED AND 1.25" MIN. EDGE DISTANCE	67	16.0"	16.0"	16.0"	9.9"	16.0"	16.0"	14.3"	16.0"	7.2"	12.2"	15.5"	10.1"	15.5"	5.7"	8.0"	
	78	16.0"	16.0"	16.0"	8.3"	16.0"	16.0"	11.3"	16.0"	6.1"	9.1"	13.4"	8.2"	13.4"	4.8"	6.2"	
	89	16.0"	14.4"	16.0"	7.2"	12.3"	14.6"	9.3"	14.6"	5.3"	7.2"	11.7"	6.9"	11.7"	4.2"	5.1"	
	100	16.0"	12.0"	16.0"	6.4"	9.7"	13.0"	7.9"	13.0"	4.7"	6.0"	10.4"	5.9"	10.1"	4.3"	4.3"	
	35	16.0"	16.0"	16.0"	16.0"	16.0"	16.0"	16.0"	16.0"	15.8"	16.0"	16.0"	16.0"	16.0"	12.7"	16.0"	
OPTIONAL FEMALE CAP	46	16.0"	16.0"	16.0"	16.0"	16.0"	16.0"	16.0"	16.0"	12.0"	16.0"	16.0"	16.0"	16.0"	9.3"	16.0"	
	57	16.0"	16.0"	16.0"	13.0"	16.0"	16.0"	16.0"	16.0"	9.4"	16.0"	16.0"	12.9"	16.0"	7.4"	10.7"	
	67	16.0"	16.0"	16.0"	10.9"	16.0"	16.0"	14.3"	16.0"	7.9"	12.2"	15.5"	10.1"	15.5"	6.2"	8.0"	
	78	16.0"	16.0"	16.0"	9.2"	16.0"	16.0"	11.3"	16.0"	6.7"	9.1"	13.4"	8.2"	13.4"	5.3"	6.2"	
	89	16.0"	14.4"	16.0"	7.9"	12.3"	14.6"	9.3"	14.6"	5.8"	7.2"	11.7"	6.9"	11.7"	4.6"	5.1"	
100	16.0"	12.0"	16.0"	7.0"	9.7"	13.0"	7.9"	13.0"	5.1"	6.0"	10.4"	5.9"	10.1"	4.0"	4.3"		

HOST STRUCT.	ANCHOR	LOAD (psf)	3/4" MIN EDGE DISTANCE														
			Spans Up To 6'-0" CONN TYPE					Spans Up To 8'-0" CONN TYPE					Spans Up To 10'-0" CONN TYPE				
			C1	C2	C3	C4	C5	C1	C2	C3	C4	C5	C1	C2	C3	C4	C5
WOOD (G=0.42 MIN.)	1/4" LAG SCREW OR HANGER BOLT WITH 1.5" MIN THREAD PENETRATION	35	16.0"	16.0"	16.0"	12.5"	16.0"	16.0"	16.0"	9.4"	16.0"	16.0"	16.0"	16.0"	7.5"	16.0"	
		46	16.0"	16.0"	16.0"	9.5"	16.0"	16.0"	16.0"	7.1"	16.0"	16.0"	16.0"	16.0"	5.6"	16.0"	
		57	16.0"	16.0"	16.0"	7.7"	16.0"	16.0"	16.0"	5.7"	16.0"	16.0"	12.4"	16.0"	4.5"	10.3"	
		67	16.0"	16.0"	16.0"	6.5"	16.0"	16.0"	13.7"	16.0"	4.8"	11.7"	14.9"	9.7"	14.9"	3.8"	7.6"
		78	16.0"	16.0"	16.0"	5.5"	15.9"	16.0"	10.8"	16.0"	4.1"	8.7"	12.8"	7.9"	12.8"	3.2"	6.0"
	#14 WOOD SCREW OR SMS WITH 1.5" MIN. THREAD PENETRATION	89	16.0"	13.8"	16.0"	4.8"	11.7"	14.0"	8.9"	14.0"	3.5"	6.9"	11.2"	6.6"	11.2"	2.8"	4.9"
		100	16.0"	11.5"	16.0"	4.2"	9.3"	12.5"	7.6"	12.5"	3.1"	5.7"	10.0"	5.7"	9.7"	2.5"	4.1"
		35	16.0"	16.0"	16.0"	11.8"	16.0"	16.0"	16.0"	8.9"	16.0"	16.0"	16.0"	16.0"	7.1"	16.0"	
		46	16.0"	16.0"	16.0"	9.0"	16.0"	16.0"	16.0"	6.7"	16.0"	15.2"	12.5"	15.2"	5.3"	11.6"	
		57	16.0"	16.0"	16.0"	7.3"	16.0"	15.4"	12.7"	15.4"	5.3"	11.9"	12.3"	8.7"	12.3"	4.2"	7.2"
1/4" DEWALT PANELMATE (FEMALE, MALE, OR PLUS) W/ 1-7/8" MIN EMBED	67	16.0"	16.0"	16.0"	6.1"	16.0"	13.1"	9.6"	13.1"	4.5"	8.2"	10.5"	6.8"	10.5"	3.5"	5.4"	
	78	15.0"	12.1"	15.0"	5.2"	11.1"	11.2"	7.6"	11.2"	3.8"	6.1"	9.0"	5.5"	9.0"	3.0"	4.2"	
	89	13.1"	9.7"	13.1"	4.5"	8.2"	9.8"	6.3"	9.8"	3.3"	4.8"	7.9"	4.6"	7.9"	2.6"	3.4"	
	100	11.7"	8.0"	11.7"	3.9"	6.5"	8.8"	5.3"	8.8"	2.9"	4.0"	7.0"	4.0"	6.8"	2.3"	2.9"	
	35	16.0"	16.0"	16.0"	9.9"	16.0"	16.0"	16.0"	7.4"	16.0"	16.0"	16.0"	16.0"	5.9"	16.0"		
OPTIONAL FEMALE CAP	46	16.0"	16.0"	16.0"	7.5"	16.0"	16.0"	16.0"	5.6"	16.0"	14.8"	12.1"	14.8"	4.4"	11.3"		
	57	16.0"	16.0"	16.0"	6.1"	16.0"	14.9"	12.3"	14.9"	4.4"	11.6"	11.9"	8.5"	11.9"	3.5"	7.0"	
	67	16.0"	15.7"	16.0"	5.1"	16.0"	12.7"	9.3"	12.7"	3.7"	7.9"	10.2"	6.6"	10.2"	2.9"	5.2"	
	78	14.5"	11.7"	14.5"	4.3"	10.8"	10.9"	7.4"	10.9"	3.2"	5.9"	8.7"	5.4"	8.7"	2.5"	4.1"	
	89	12.7"	9.4"	12.7"	3.8"	8.0"	9.6"	6.1"	9.6"	2.8"	4.7"	7.6"	4.5"	7.6"	2.2"	3.3"	
100	11.3"	7.8"	11.3"	3.3"	6.4"	8.5"	5.2"	8.5"	2.4"	3.9"	6.8"	3.9"	6.6"	2.8"	2.8"		
1/4" EA MALE BOLT, 1-1/2" EMBED	35	16.0"	16.0"	16.0"	12.5"	16.0"	16.0"	16.0"	9.4"	16.0"	16.0"	16.0"	16.0"	7.5"	16.0"		
	46	16.0"	16.0"	16.0"	9.5"	16.0"	16.0"	16.0"	7.1"	16.0"	16.0"	16.0"	16.0"	5.6"	16.0"		
	57	16.0"	16.0"	16.0"	7.7"	16.0"	16.0"	16.0"	5.7"	16.0"	16.0"	15.4"	16.0"	4.5"	12.8"		
	67	16.0"	16.0"	16.0"	6.5"	16.0"	16.0"	16.0"	4.8"	14.5"	16.0"	12.1"	16.0"	3.8"	9.5"		
	78	16.0"	16.0"	16.0"	5.5"	16.0"	16.0"	13.4"	16.0"	4.1"	10.8"	15.9"	9.8"	15.9"	3.2"	7.4"	
OPTIONAL FEMALE CAP	89	16.0"	16.0"	16.0"	4.8"	14.6"	16.0"	11.1"	16.0"	3.6"	8.6"	14.0"	8.2"	14.0"	2.8"	6.1"	
	100	16.0"	14.3"	16.0"	4.3"	11.6"	15.5"	9.5"	15.5"	3.2"	7.1"	12.4"	7.1"	12.1"	2.5"	5.2"	
	35	16.0"	16.0"	16.0"	16.0"	16.0"	16.0"	16.0"	16.0"	13.6"	16.0"	16.0"	16.0"	16.0"	10.7"	16.0"	
	46	16.0"	16.0"	16.0"	16.0"	16.0"	16.0"	16.0"	16.0"	13.6"	16.0"	16.0"	16.0"	16.0"	8.5"	16.0"	
	57	16.0"	16.0"	16.0"	14.7"	16.0"	16.0"	16.0"	16.0"	10.8"	16.0"	16.0"	16.0"	16.0"	7.1"	13.4"	
1/4" EA MALE BOLT, 2" EMBED	67	16.0"	16.0"	16.0"	12.3"	16.0"	16.0"	16.0"	9.1"	16.0"	16.0"	16.0"	16.0"	6.1"	13.4"		
	78	16.0"	16.0"	16.0"	10.5"	16.0"	16.0"	16.0"	7.7"	15.2"	16.0"	13.8"	16.0"	7.1"	10.5"		
	89	16.0"	16.0"	16.0"	9.1"	16.0"	16.0"	15.6"	16.0"	6.7"	12.1"	16.0"	11.5"	16.0"	5.3"	8.6"	
	100	16.0"	16.0"	16.0"	8.0"	16.0"	16.0"	13.3"	16.0"	5.9"	10.0"	16.0"	9.9"	16.0"	4.7"	7.3"	

HOST STRUCT.	ANCHOR	LOAD (psf)	3/4" MIN EDGE DISTANCE															
			Spans Up To 6'-0" CONN TYPE					Spans Up To 8'-0" CONN TYPE					Spans Up To 10'-0" CONN TYPE					
			C1	C2	C3	C4	C5	C1	C2	C3	C4	C5	C1	C2	C3	C4	C5	
WOOD (G=0.55 MIN.)	1/4" DEWALT PANELMATE (FEMALE, MALE, OR PLUS) W/ 1-7/8" MIN EMBED	35	16.0"	16.0"	16.0"	16.0"	16.0"	16.0"	16.0"	16.0"	16.0"	16.0"	16.0"	16.0"	16.0"	16.0"	16.0"	
		46	16.0"	16.0"	16.0"	16.0"	16.0"	16.0"	16.0"	16.0"	16.0"	16.0"	16.0"	16.0"	16.0"	16.0"	16.0"	
		57	16.0"	16.0"	16.0"	14.1"	16.0"	16.0"	16.0"	16.0"	10.3"	16.0"	16.0"	16.0"	16.0"	8.1"	16.0"	
		67	16.0"	16.0"	16.0"	11.8"	16.0"	16.0"	16.0"	16.0"	8.7"	16.0"	16.0"	16.0"	16.0"	6.8"	12.1"	
		78	16.0"	16.0"	16.0"	10.0"	16.0"	16.0"	16.0"	16.0"	7.4"	13.7"	16.0"	12.4"	16.0"	5.8"	9.4"	
	OPTIONAL FEMALE CAP	89	16.0"	16.0"	16.0"	8.7"	16.0"	16.0"	16.0"	14.1"	16.0"	6.4"	10.9"	16.0"	10.4"	16.0"	5.1"	7.7"
		100	16.0"	16.0"	16.0"	7.7"	14.8"	16.0"	12.0"	16.0"	5.7"	9.1"	15.8"	9.0"	15.3"	4.5"	6.6"	
		35	16.0"	16.0"	16.0"	15.7"	16.0"	16.0"	16.0"	16.0"	11.7"	16.0"	16.0"	16.0"	16.0"	9.4"	16.0"	
		46	16.0"	16.0"	16.0"	11.9"	16.0"	16.0"	16.0"	16.0"	8.9"	16.0"	16.0"	16.0"	16.0"	7.0"	16.0"	
		57	16.0"	16.0"	16.0"	9.6"	16.0"	16.0"	16.0"	16.0"	7.1"	16.0"	16.0"	16.0"	16.0"	5.6"	15.4"	
1/4" LAG SCREW OR HANGER BOLT WITH 1.5" MIN THREAD PENETRATION	67	16.0"	16.0"	16.0"	8.1"	16.0"	16.0"	16.0"	16.0"	6.0"	16.0"	16.0"	16.0"	16.0"	4.7"	11.5"		
	78	16.0"	16.0"	16.0"	6.9"	16.0"	16.0"	16.0"	16.0"	5.1"	13.0"	16.0"	11.8"	16.0"	4.0"	8.9"		
	89	16.0"	16.0"	16.0"	6.0"	16.0"	16.0"	13.4"	16.0"	4.4"	10.3"	16.0"	9.9"	16.0"	3.5"	7.3"		
	100	16.0"	16.0"	16.0"	5.3"	14.0"	16.0"	11.4"	16.0"	3.9"	8.6"	15.0"	8.5"	14.5"	3.1"	6.2"		
	35	16.0"	16.0"	16.0"	16.0"	16.0"	16.0"	16.0"	16.0"	12.2"	16.0"	16.0"	16.0"	16.0"	9.7"	16.0"		
#14 WOOD SCREW OR SMS WITH 1.5" MIN. THREAD PENETRATION	46	16.0"	16.0"	16.0"	12.3"	16.0"	16.0"	16.0"	16.0"	9.2"	16.0"	16.0"	16.0"	16.0"	7.2"	16.0"		
	57	16.0"	16.0"	16.0"	10.0"	16.0"	16.0"	16.0"	16.0"	7.3"	16.0"	16.0"	16.0"	14.9"	16.0"	5.8"	12.4"	
	67	16.0"	16.0"	16.0"	8.4"	16.0"	16.0"	16.0"	16.0"	6.2"	14.0"	16.0"	11.7"	16.0"	4.9"	9.2"		
	78	16.0"	16.0"	16.0"	7.1"	16.0"	16.0"	13.0"	16.0"	5.2"	10.4"	15.4"	9.5"	15.4"	4.1"	7.2"		
	89	16.0"	16.0"	16.0"	6.													