



EXTRUDED ALUMINUM COLONIAL HURRICANE SHUTTER "IMPACT"

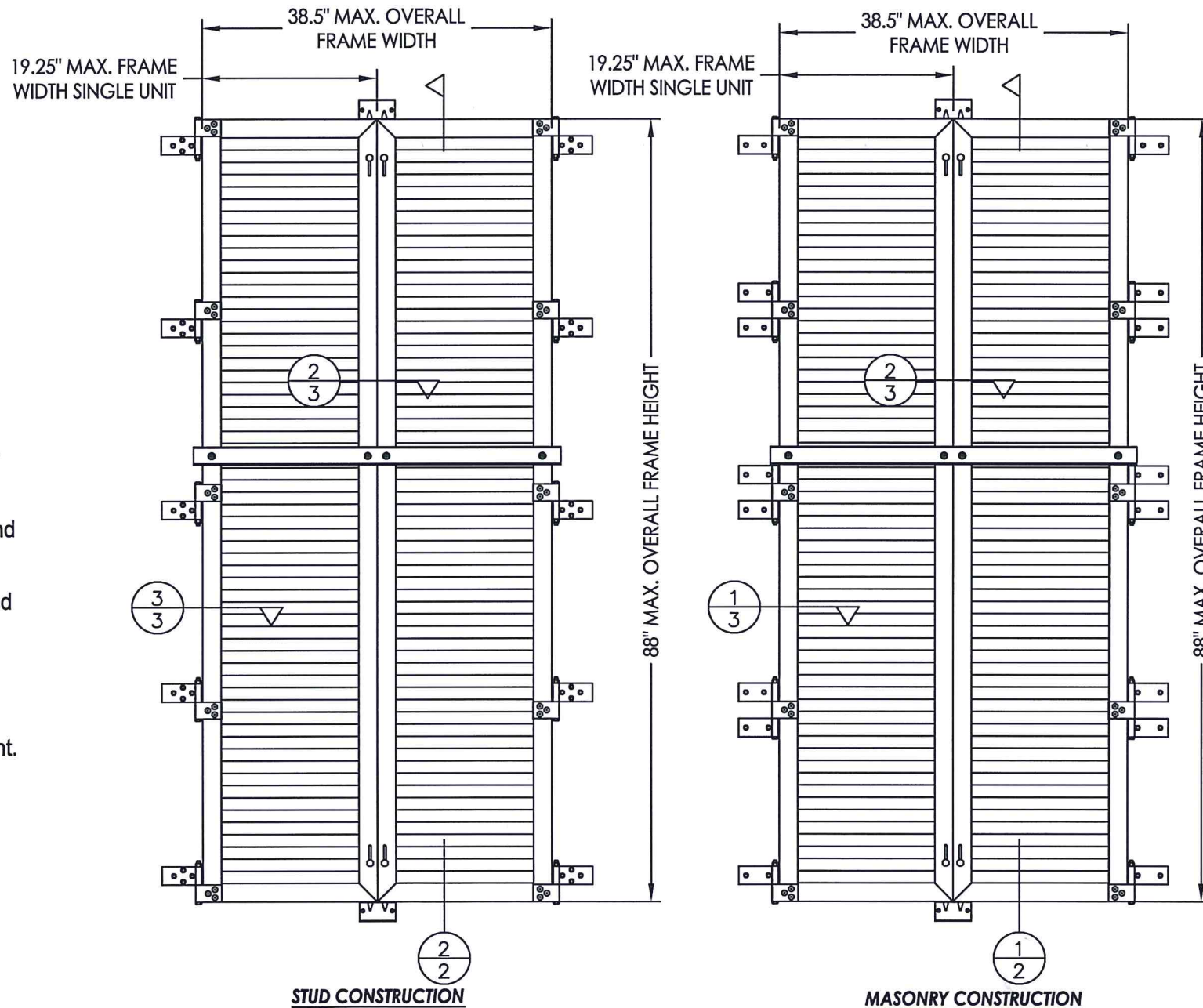
Evaluated For Use In The State of Texas

The panel storm shutter system described herein complies with the 2018 International Residential Code (IRC), Section R301.2.1.2 and the 2018 International Building Code (IBC), Section 1609.2 subject to the following conditions:

1. This system has been tested and evaluated as a large missile impact protective system and meets missile level "D" and includes Wind Zone 4 as defined in ASTM E1996.
2. Positive and negative design pressures to be used with these drawings shall be determined by others for specific jobs in accordance with the local governing code.
3. The system detailed herein is generic and does not provide information for a specific site. The details herein cover connection to wood, concrete and CMU substrates. If site conditions deviate from the conditions detailed herein, a licensed engineer or registered architect shall prepare site specific documents to be used in conjunction with this document.
4. All extrusions shall be 6063-T6 aluminum alloy, unless noted otherwise.
5. All bolts & washers shall be corrosion resistant in compliance with the IRC and IBC.
6. Permit holder shall verify the adequacy of the existing structure to withstand new superimposed loads.
7. Storm panels have been designed and tested to the maximum spans and loads shown on these drawings.

TABLE OF CONTENTS

SHEET#	DESCRIPTION
1	Typical elevation, design pressures & general notes
2	Vertical cross sections masonry & stud construction
3	Horizontal cross sections masonry & stud construction
4	Anchoring locations masonry & stud construction
5	Bill of materials & components



MAX. FRAME DIMENSION	DESIGN PRESSURE (PSF)	
	POSITIVE	NEGATIVE
38.5" x 88.0"	+100.0	-100.0



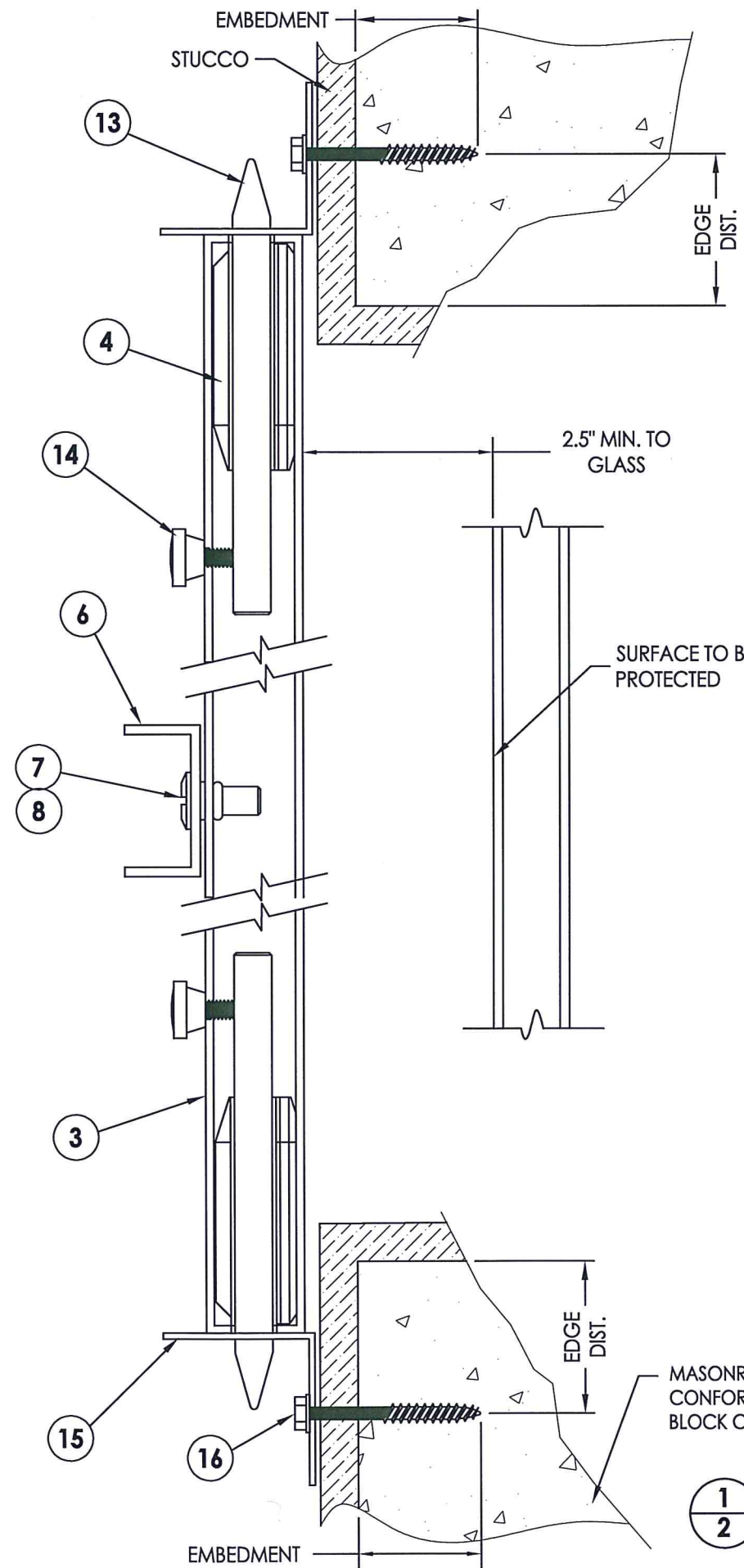
Documents Prepared By: Lyndon F. Schmidt, P.E.
TEXAS P.E. #104123

RW BUILDING CONSULTANTS, INC.
P.O. Box 230 Valrico FL 33595
Phone No.: 813.659.9197
TEXAS BOARD OF PROFESSIONAL ENGINEERS
CERTIFICATE OF REGISTRATION # F-11852

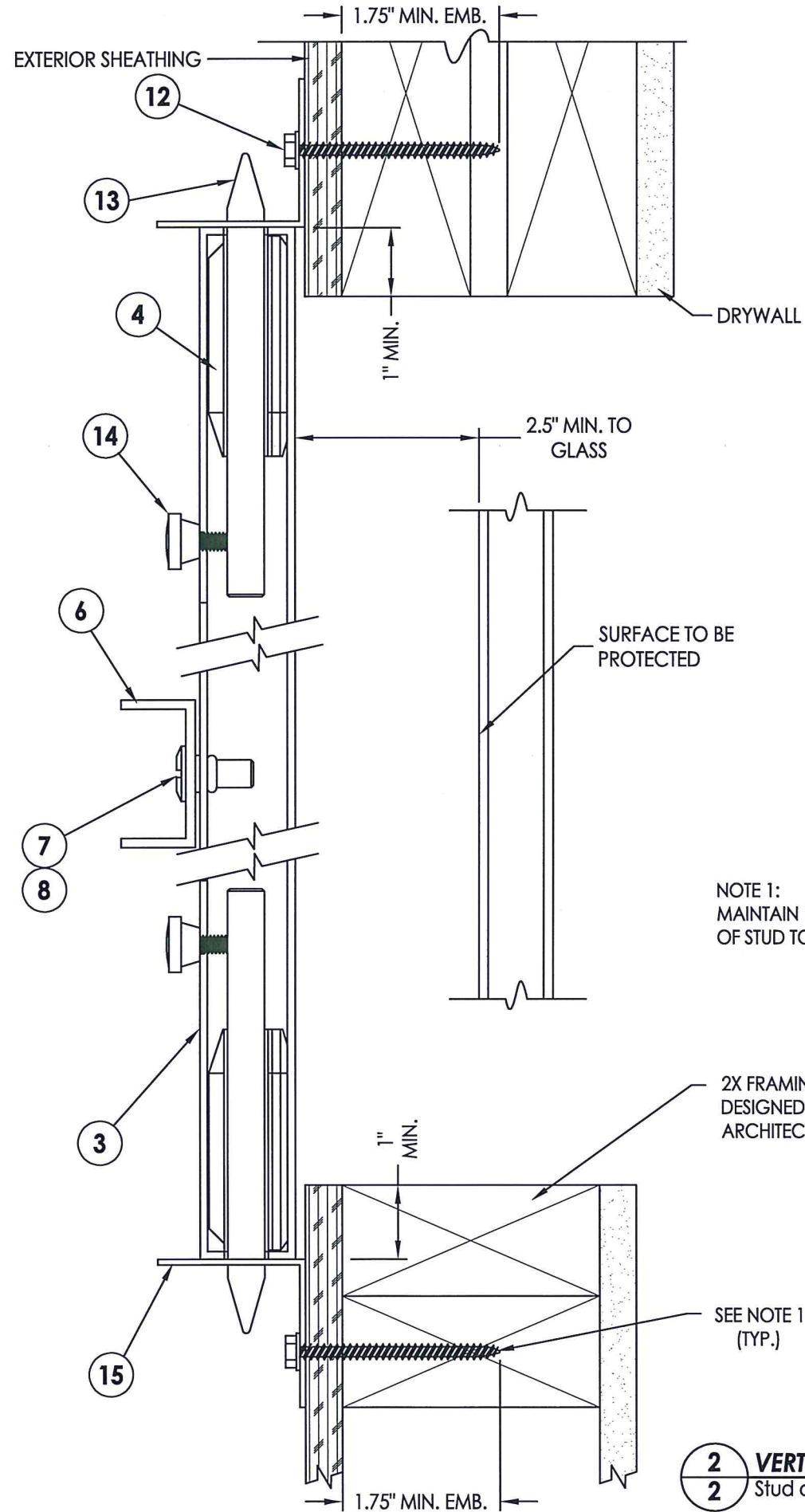
PRODUCT: EXTRUDED ALUMINUM COLONIAL HURRICANE SHUTTER
PART OR ASSEMBLY:
TYPICAL ELEVATION, DESIGN PRESSURES & GENERAL NOTES

NO.	DATE	BY	REVISIONS

DATE: 1/21/21
SCALE: N.T.S.
DWG. BY: RW
CHK. BY: LFS
DRAWING NO.: TX-5148
SHEET 1 OF 5



1 VERTICAL CROSS SECTION
2 Masonry construction



2 VERTICAL CROSS SECTION
2 Stud construction

NOTE 1:
 MAINTAIN 1/2" MIN. EDGE DISTANCE TO EDGE OF STUD TO PREVENT SPLITTING OF WOOD.

2X FRAMING (SG >= 0.55) TO BE DESIGNED BY THE ENGINEER OR ARCHITECT OF RECORD (TYP.).

SEE NOTE 1 (TYP.)



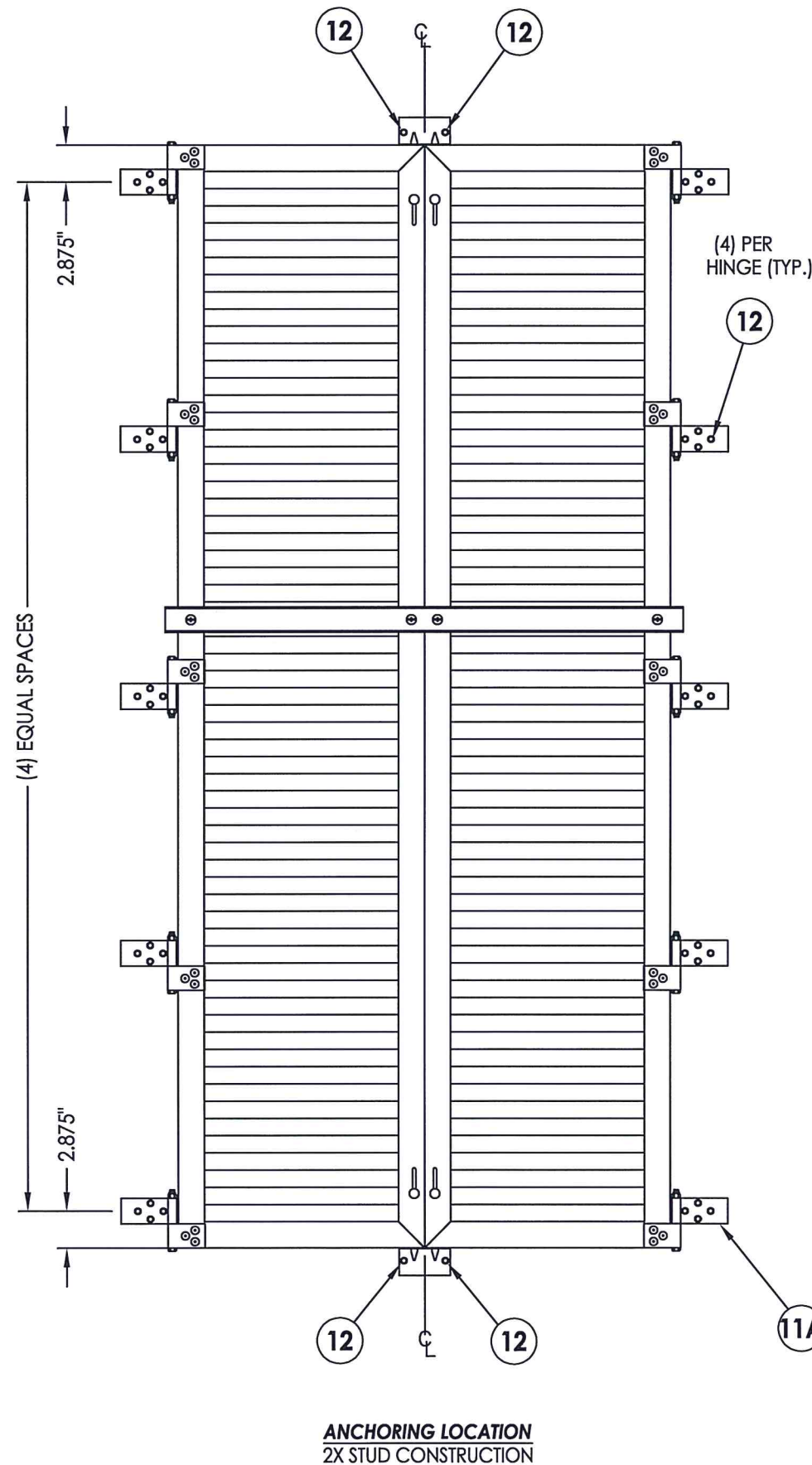
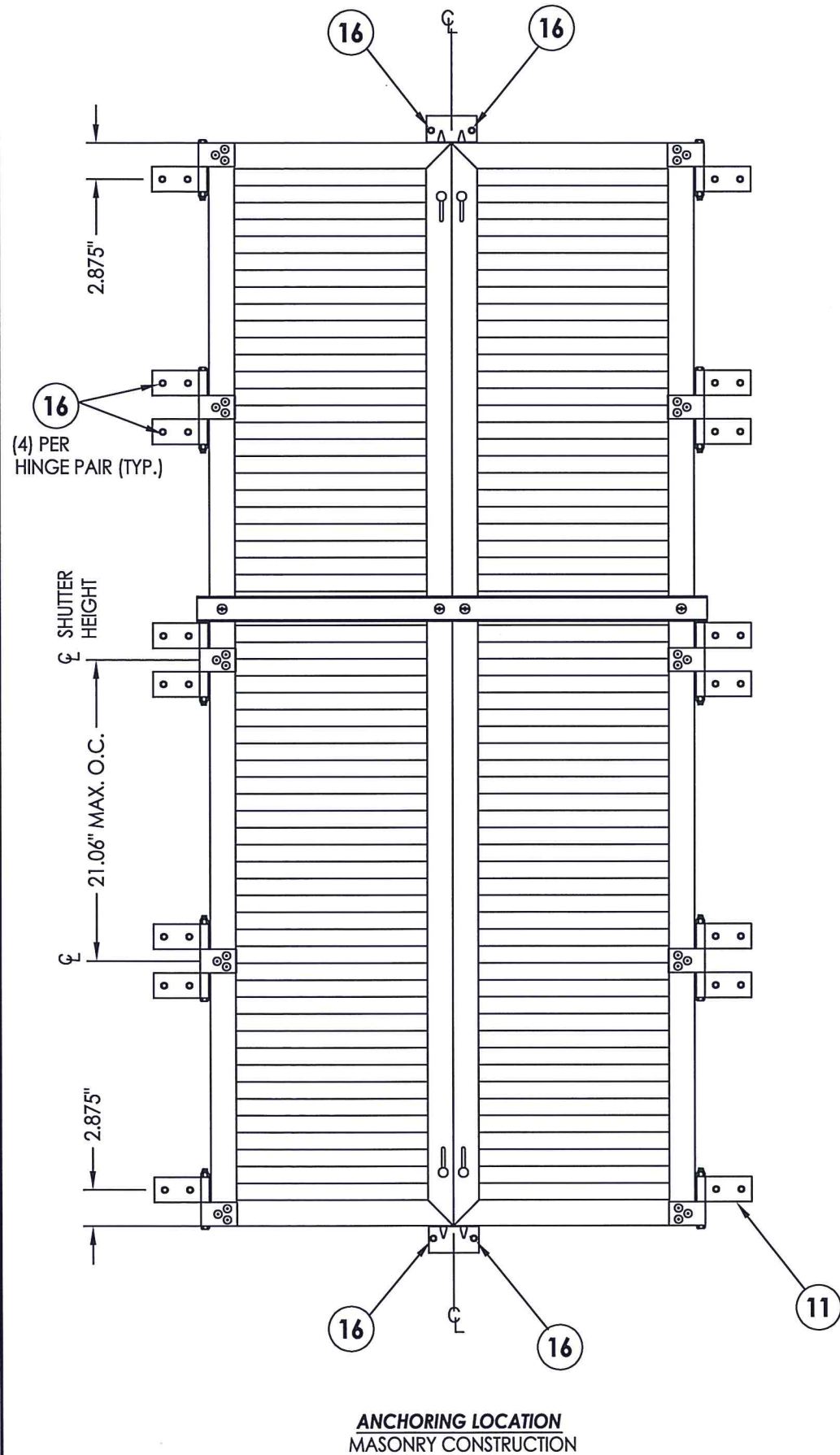
Documents Prepared By: Lyndon F. Schmidt, P.E.
 TEXAS P.E. #104123

RW BUILDING CONSULTANTS, INC.
 P.O. Box 230 Valrico FL, 33595
 Phone No.: 813.659.9197
 TEXAS BOARD OF PROFESSIONAL ENGINEERS
 CERTIFICATE OF REGISTRATION # F-11852



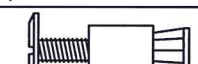

PRODUCT:
 EXTRUDED ALUMINUM
 COLONIAL HURRICANE SHUTTER
 PART OR ASSEMBLY:
 VERTICAL CROSS SECTIONS
 MASONRY & STUD CONSTRUCTION

NO.	DATE	BY	REVISIONS




DATE: 1/21/21
 SCALE: N.T.S.
 DWG. BY: RW
 CHK. BY: LFS
 DRAWING NO.: TX-5148
 SHEET 2 OF 5



CONCRETE CONFORMING TO ACI 301

ANCHOR
 1/4" TAPCON SG EM = 1.75" CL = 3" ED = 1.25" (3,295 PSI MIN. CONC.)
 1/4" ITW RED HEAD DYNABOLT SLEEVE ANCHOR EM = 1.125" CL = 3" ED = 1.5" (3000 PSI MIN. CONC.)
 1/4" ALL POINTS SOLID-SET ANCHOR EM = 0.875" CL = 3" ED = 2" (3,000 PSI MIN. CONC.)
 1/4" ITW TAPCON EM = 1.75" CL = 3" ED = 4" (3,000 PSI MIN. CONC.)

HOLLOW BLOCK CONFORMING TO ASTM C90

ANCHOR
 1/4" ELCO/DeWALT PANELMATE MALE/FEMALE EM = 1.25" CL = 3" ED = 3" JAMB ONLY
 1/4" ITW RED HEAD DYNABOLT SLEEVE ANCHOR EM = 1.125" CL = 3" ED = 1.5" JAMB ONLY
 1/4" ALL POINTS SOLID-SET ANCHOR EM = 0.875" CL = 3" ED = 3" HEAD, SILL OR JAMB

EM = MINIMUM EMBEDMENT (PENETRATION)
 CL = MINIMUM CENTER TO CENTER ANCHOR SPACING
 ED = MINIMUM EDGE DISTANCE

16 MASONRY ANCHOR SCHEDULE



Documents Prepared By: Lyndon F. Schmidt, P.E.
 TEXAS P.E. #104123

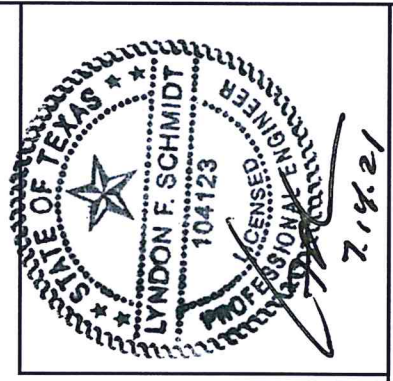
RW BUILDING CONSULTANTS, INC.
 P.O. Box 230 Vairico FL 33595
 Phone No.: 813.659.9197

TEXAS BOARD OF PROFESSIONAL ENGINEERS
 CERTIFICATE OF REGISTRATION # F-11852

PRODUCT:	EXTRUDED ALUMINUM COLONIAL HURRICANE SHUTTER	
PART OR ASSEMBLY:	ANCHORING LOCATIONS MASONRY & STUD CONSTRUCTION	
NO.	DATE	BY
		REVISIONS
DATE:	1/21/21	
SCALE:	N.T.S.	
DWG. BY:	RW	
CHK. BY:	LFS	
DRAWING NO.:	TX-5148	
SHEET	4	OF 5

Z:\Clients\Fortified (SE)\B - Texas Dept of Ins\TDI SHU-105\Drawings\TX-5148\TX-5148.dwg

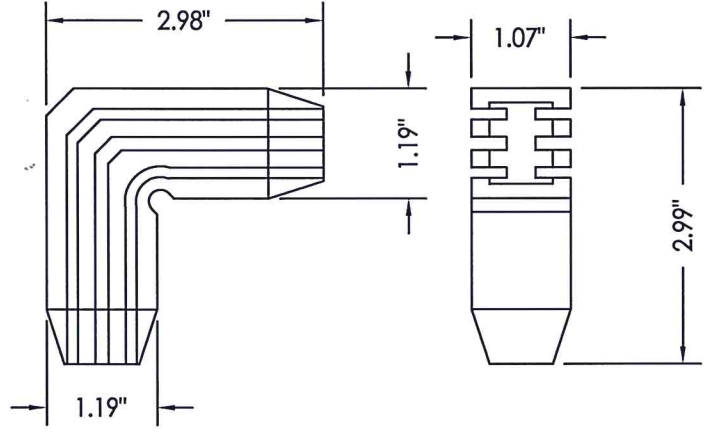
BILL OF MATERIALS		
1	LOUVER 6063-T6 0.060"	ALUM.
2	LOUVER/INSERT 6063-T6 0.060"	ALUM.
3	STILE/RAIL 6063-T6 0.060"	ALUM.
4	NYLON CORNER KEY	NYLON
5	STRUCTURAL ADHESIVE	-
6	STORM BAR 6063-T6	ALUM.
7	1/4-20 X 1" SIDEWALK BOLT	STEEL
8	1/4-20 RIV-NUT	ALUM.
9	FLAT HINGE	ALUM.
10	3/16" DIA. POP RIVET	ALUM.
11	SINGLE HINGE MASONRY	ALUM.
11A	SINGLE HINGE WOOD	ALUM.
12	#12 X 2-1/2" HWH SHEET METAL SCREW	STEEL
13	LOCKING PIN	ALUM.
14	THUMB SCREW	STEEL
15	LATCH	ALUM.
16	ANCHOR - SEE MASONRY ANCHOR SCHEDULE	STEEL



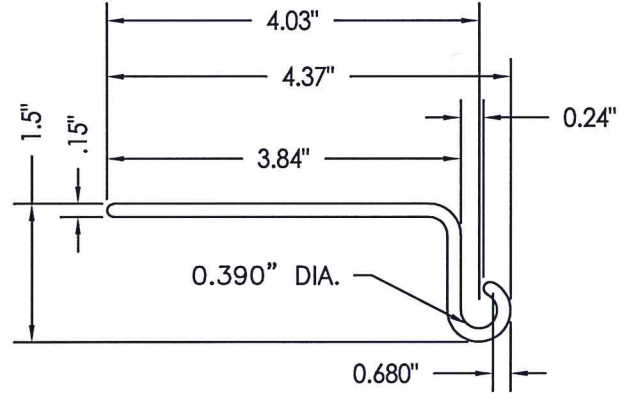
Documents Prepared By: Lyndon F. Schmidt, P.E.
TEXAS P.E. #104123

RW BUILDING CONSULTANTS, INC.
P.O. Box 230 Valrico FL, 33595
Phone No.: 813.659.9197

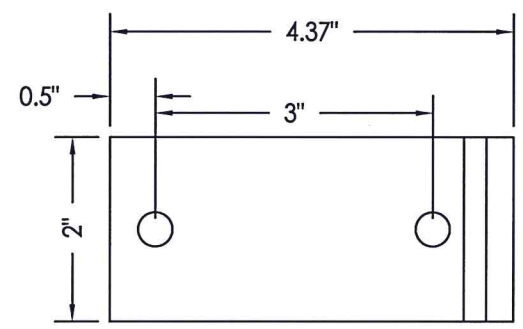
TEXAS BOARD OF PROFESSIONAL ENGINEERS
CERTIFICATE OF REGISTRATION # F-11852



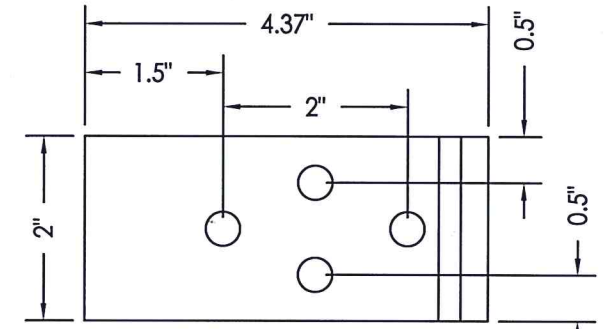
4 NYLON CORNER KEY



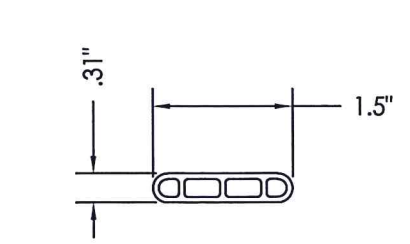
11 11A SINGLE HINGE
EXTRUDED ALUMINUM
6063-T6



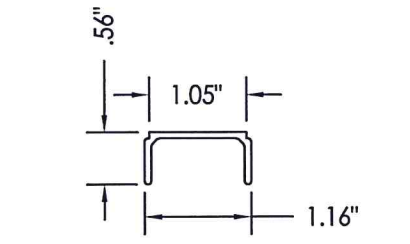
11 SINGLE HINGE MASONRY
EXTRUDED ALUMINUM
6063-T6



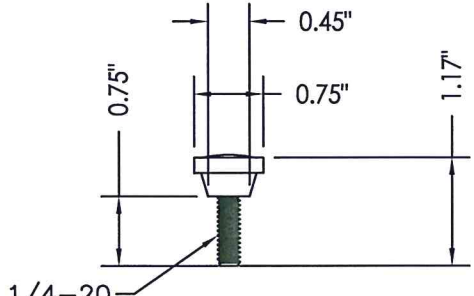
11A SINGLE HINGE WOOD
EXTRUDED ALUMINUM
6063-T6



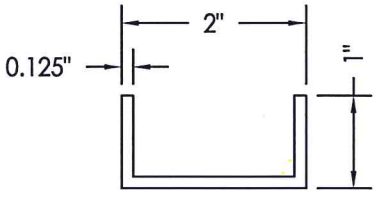
1 LOUVER
EXTRUDED ALUMINUM
6063-T6
0.060" TYP. WALL THK.



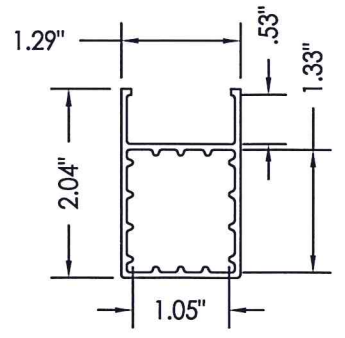
2 LOUVER/INSERT
EXTRUDED ALUMINUM
6063-T6
0.060" TYP. WALL THK.



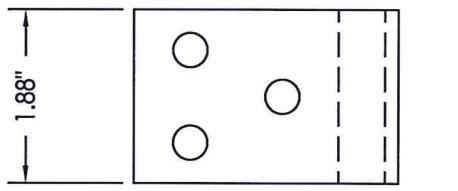
14 THUMB SCREW
STEEL



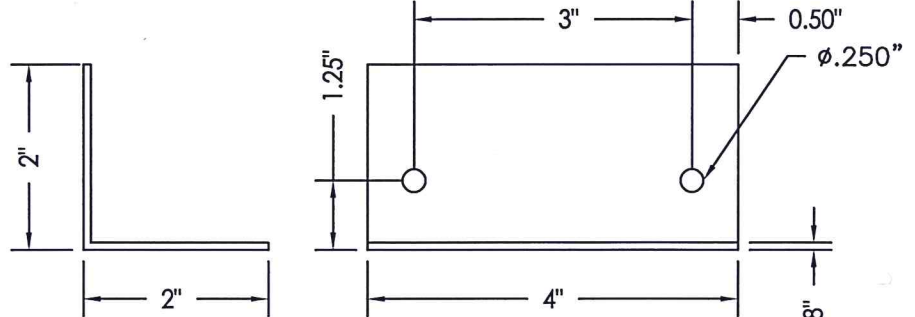
6 STORM BAR
EXTRUDED ALUMINUM
6063-T6



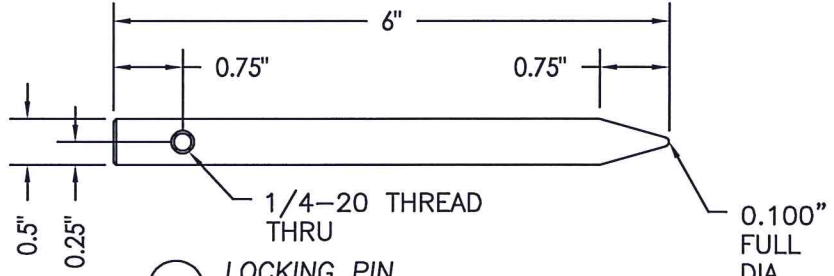
3 STILE/RAIL
EXTRUDED ALUMINUM
6063-T6
0.060" TYP. WALL THK.



9 FLAT HINGE
EXTRUDED ALUMINUM
6063-T6



15 LATCH
ALUMINUM 6063-T6



13 LOCKING PIN
ALUMINUM 6063-T6

PRODUCT:
EXTRUDED ALUMINUM
COLONIAL HURRICANE SHUTTER
PART OR ASSEMBLY:
BILL OF MATERIALS
& COMPONENTS

NO.	DATE	BY	REVISIONS

DATE: 1/21/21
SCALE: N.T.S.
DWG. BY: RW
CHK. BY: LFS
DRAWING NO.: TX-5148
SHEET 5 OF 5