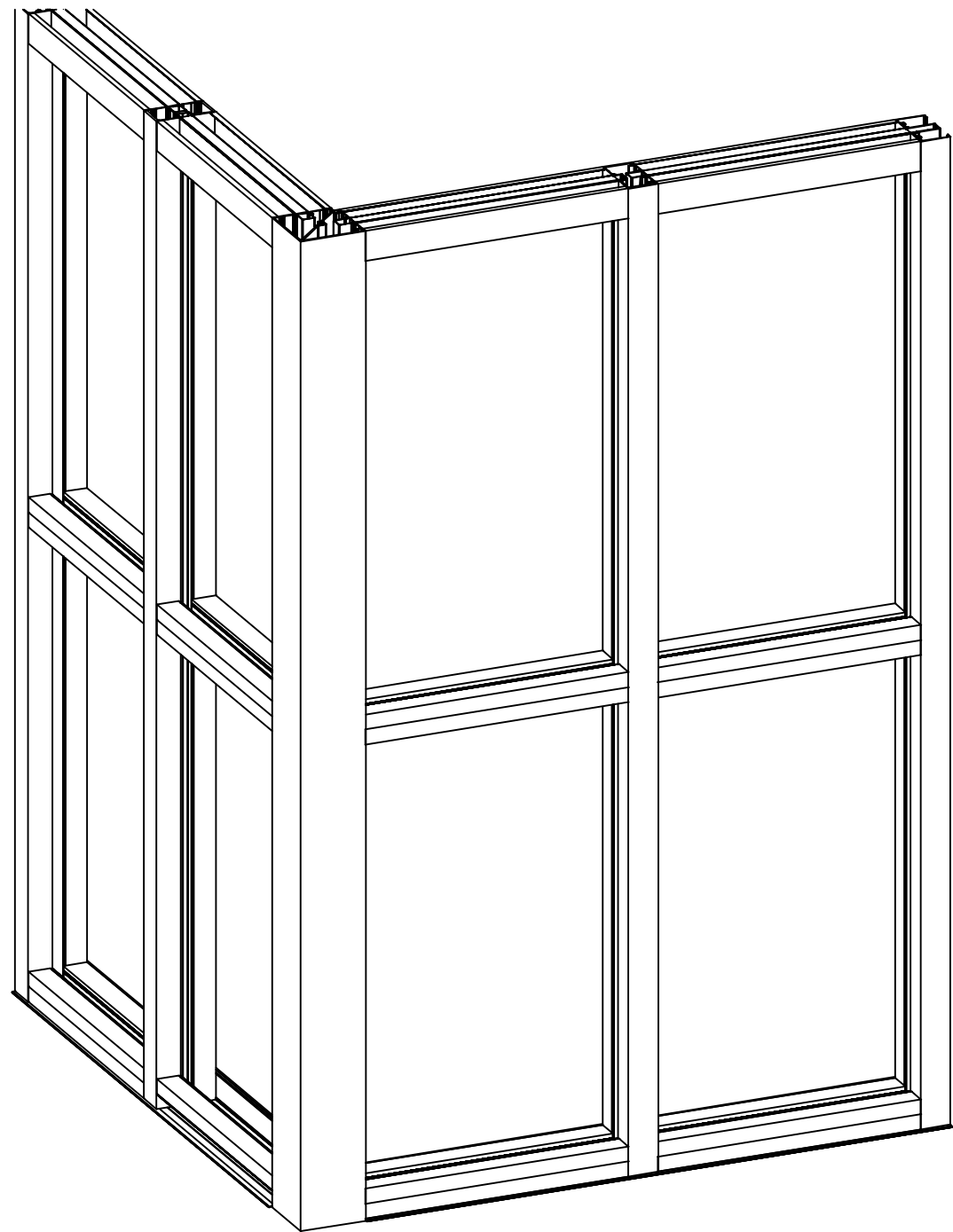


Oldcastle BuildingEnvelope®

FG-5700 STORMMAX® STOREFRONT SYSTEM MONOLITHIC IMPACT STOREFRONT LARGE MISSILE (WET AND DRY GLAZED) FOR HIGH VELOCITY HURRICANE ZONES



FRANK BENNARDO, P.E.
PE# 96064 CA.-F-11383



08/31/2021

ENGINEERING EXPRESS®
POSTAL ADDRESS:
401 W. ATLANTIC AVE. R10 #219
DELRAY BEACH, FL 33444
ENGINEERINGEXPRESS.COM

Oldcastle BuildingEnvelope®
803 AIRPORT ROAD
TERRELL, TX 75160
Phn. (972) 551-6100
FG-5700 STORMMAX® STOREFRONT SYSTEM
WET AND DRY GLAZED

REMARKS	DATE
INIT ISSUE	03/16/21

COPYRIGHT ENGINEERING EXPRESS®

21-38374
SCALE: NTS UNLESS NOTED

OF 34
01

GENERAL NOTES:

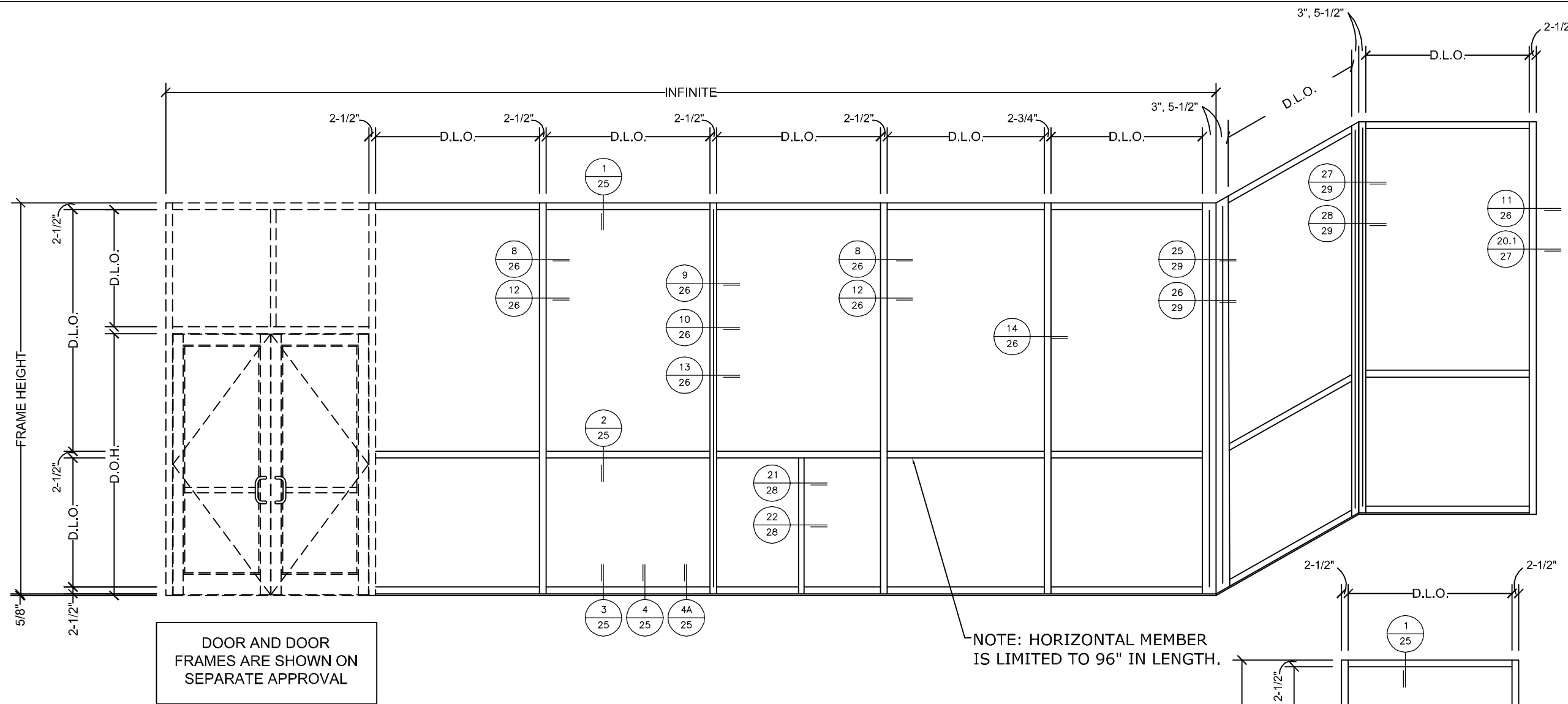
- THIS SYSTEM HAS BEEN EVALUATED FOR COMPLIANCE WITH WIND LOAD SPECIFIED IN CHAPTER 3 OF THE INTERNATIONAL RESIDENTIAL CODE 2018 AND SECTION 1609 OF THE INTERNATIONAL BUILDING CODE 2018. SYSTEM HAS BEEN TESTED, EVALUATED AND DESIGNED PER THE FOLLOWING STANDARDS:
 - ASTM E330-14, E331-00, E283-04
 - TAS 201 / 202 / 203
 - AAMA 501-5
 - ANSI Z97.1-2015 (400 ft-lb. IMPACT)
 - ALUMINUM DESIGN MANUAL 2015, ASCE 7-16
- SITE-SPECIFIC REQUIRED DESIGN PRESSURES SHALL BE CALCULATED BY A LICENSED PROFESSIONAL ENGINEER FOR USE WITH THIS DOCUMENT PER CURRENT ADOPTED EDITION OF ASCE 7 AND WITH LOCAL CODE REQUIREMENTS.
- THIS PRODUCT HAS BEEN DESIGNED FOR USE FOR ALL AREAS WITHIN TEXAS AS DEFINED BY THE TEXAS DEPARTMENT OF INSURANCE.
- DESIGN PRESSURES NOTED HEREIN ARE BASED ON MAXIMUM TESTED PRESSURES DIVIDED BY A 1.5 SAFETY FACTOR.
- NO 33-1/3% INCREASE IN ALLOWABLE STRESS HAS BEEN USED IN THE DESIGN OF THIS SYSTEM. WIND LOAD DURATION FACTOR Cd-1.6 HAS BEEN USED FOR WOOD ANCHOR DESIGN.
- THE ARCHITECT/ENGINEER OF RECORD FOR THE PROJECT SUPERSTRUCTURE WITH WHICH THIS DESIGN IS USED SHALL BE RESPONSIBLE FOR THE INTEGRITY OF ALL SUPPORTING SURFACES TO THIS DESIGN WHICH SHALL BE COORDINATED BY THE PERMITTING CONTRACTOR. WOOD BUCKS (BY OTHERS) SHALL BE ANCHORED PROPERLY TO TRANSFER LOADS TO THE EXISTING STRUCTURE.
- THE SYSTEM DETAILED HEREIN IS GENERIC AND DOES NOT PROVIDE INFORMATION FOR A SPECIFIC SITE. FOR SITE CONDITIONS DIFFERENT FROM THE CONDITIONS DETAILED HEREIN, A LICENSED ENGINEER OR REGISTERED ARCHITECT SHALL PREPARE SITE SPECIFIC DOCUMENTS FOR USE IN CONJUNCTION WITH THIS DOCUMENT.
- THE CONTRACTOR IS RESPONSIBLE TO INSULATE ALL MEMBER FROM DISSIMILAR MATERIALS OR PREVENT ELECTROLYSIS.
- FASTENERS SHALL BE CADMIUM-PLATED OR OTHERWISE CORROSION-RESISTANT MATERIAL AND SHALL COMPLY WITH "SPECIFICATIONS FOR ALUMINUM STRUCTURES" SECTION J.3.7.2 BY THE ALUMINUM ASSOCIATION, INC., & ANY APPLICABLE FEDERAL, STATE, AND/OR LOCAL CODES.
- ENGINEER SEAL AFFIXED HERE TO VALIDATES STRUCTURAL DESIGN AS SHOWN ONLY. USE OF THIS SPECIFICATION BY CONTRACTOR, et. al. INDEMNIFIES & SAVES HARMLESS THIS ENGINEER FOR ALL COST & DAMAGES INCLUDING LEGAL FEES & APPELLATE FEES RESULTING FROM MATERIAL FABRICATION, SYSTEM ERECTION, & CONSTRUCTION PRACTICES BEYOND THAT WHICH IS CALLED FOR BY LOCAL, STATE, & FEDERAL CODES & FROM DEVIATIONS OF THIS PLAN.
- EXCEPT AS EXPRESSLY PROVIDED HEREIN, NO ADDITIONAL CERTIFICATIONS OR AFFIRMATIONS ARE INTENDED.
- PRESSURE VALUES ON THIS APPROVAL ARE (ASD) ALLOWABLE DESIGN PRESSURES.
- ALTERATIONS, ADDITIONS, OR OTHER MARKINGS TO THIS DOCUMENT ARE NOT PERMITTED AND INVALIDATE THIS CERTIFICATION.
- SAFEGUARDS MUST BE OBSERVED (NOT IN THIS CERTIFICATION).
- PRODUCT SHALL BE PERMANENTLY LABELED WITH A MINIMUM OF ONE LABEL PER SYSTEM CONTAINING THE FOLLOWING AND ANY OTHER TDI REQUIREMENTS:
Oldcastle BuildingEnvelope®
803 AIRPORT ROAD
TERRELL, TEXAS 75160

SHEET INDEX	
# SHEET	DESCRIPTION
01	COVER SHEET
02-03	ELEVATIONS
04	GLAZING DETAILS
05-08	GLASS LOADING TABLES
09	MULLION & JAMB LOADING DETERMINATION
10-14	MULLION LOADING TABLES
15-24	FASTENER SCHEDULE & ANCHOR CHARTS
25-30	STANDARD FRAMING DETAILS
31	BILL OF MATERIALS
32-34	PART DRAWINGS
34	TOTAL

DESIGN PRESSURE

WATER INFILTRATION 15 PSF
AIR INFILTRATION 6.24 PSF
MAXIMUM DESIGN PRESSURE = +/- 90 PSF
ALL ALUMINUM EXTRUSIONS SHALL BE MADE FROM 6063-T6 ALLOY AND TEMPER.
THIS PRODUCT HAS BEEN DESIGNED, ENGINEERED AND TESTED TO COMPLY WITH CURRENT BUILDING CODE.
MATERIALS, INCLUDING BUT NOT LIMITED TO STEEL SCREWS, THAT COME IN CONTACT WITH OTHER DISSIMILAR MATERIALS SHALL MEET THE REQUIREMENTS OF CURRENT BUILDING CODE.

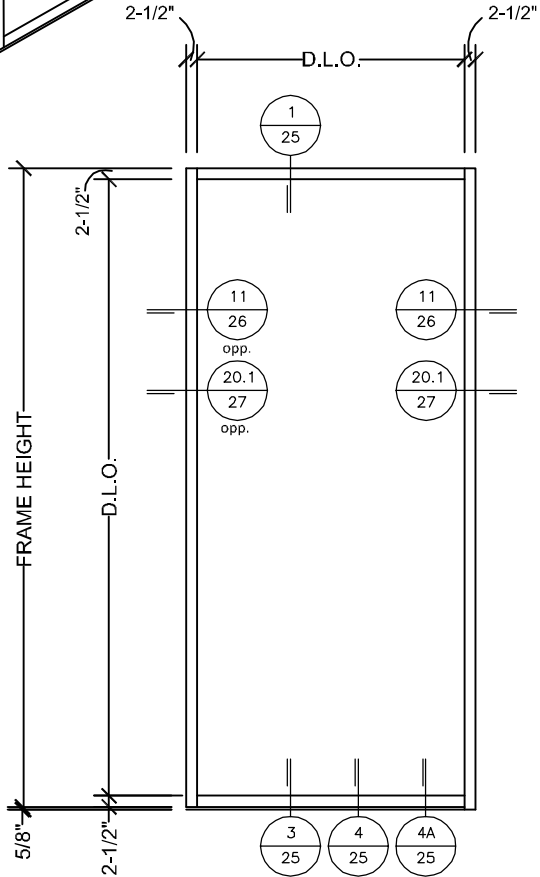
VISIT ECALC.IO/38374 SCAN HERE:
FOR HELPFUL RESOURCES, SITE SPECIFIC JOB ORDERING & MORE INFORMATION ABOUT THIS PRODUCT & RELATED SERVICES



DOOR AND DOOR FRAMES ARE SHOWN ON SEPARATE APPROVAL

NOTE: HORIZONTAL MEMBER IS LIMITED TO 96" IN LENGTH.

**OUTSIDE DRY AND WET GLAZED ELEVATIONS
(DEPICTED WITH FG-5712 SUB SILL)**



TYPICAL SINGLE PANEL OPENING
FRAME SIZE FOR SINGLE OPENINGS SHALL BE GOVERNED BY THE MAXIMUM ALLOWABLE D.L.O. DIMENSIONS DISPLAYED ON THE GLASS CHARTS

INSTRUCTIONS TO DETERMINE DESIGN PRESSURE RATING

STEP ①: USE THE GLASS LOADING TABLES TO DETERMINE THE ALLOWABLE PRESSURE OF THE GLASS.

STEP ②: USE THE MULLION LOADING TABLE TO DETERMINE THE ALLOWABLE PRESSURES FOR THE MULLIONS
NOTE: TO DETERMINE THE LOADS OF THE MULLIONS, SEE DIAGRAM ON PAGE 9

STEP ③: THE MINIMUM VALUE BETWEEN STEP ① AND STEP ② WILL DETERMINE THE DESIGN LOAD PRESSURE FOR THE STOREFRONT SYSTEM.

STEP ④: LESSER OF SILL / HEAD ALLOWABLE PRESSURE (PAGE 25) AND FASTENER SCHEDULE (PAGES 15-24) MUST MEET OR EXCEED DESIGN LOAD PRESSURE FOR THE STOREFRONT SYSTEM.

DOORS ARE SHOWN BY SEPARATE APPROVAL
LESSER PRESSURE WILL PREVAIL ON COMBINED PRODUCTS
MINIMUM SHIM SPACE REQUIRED 1/4", MAXIMUM SHIM SPACE 1/2"



08/31/2021

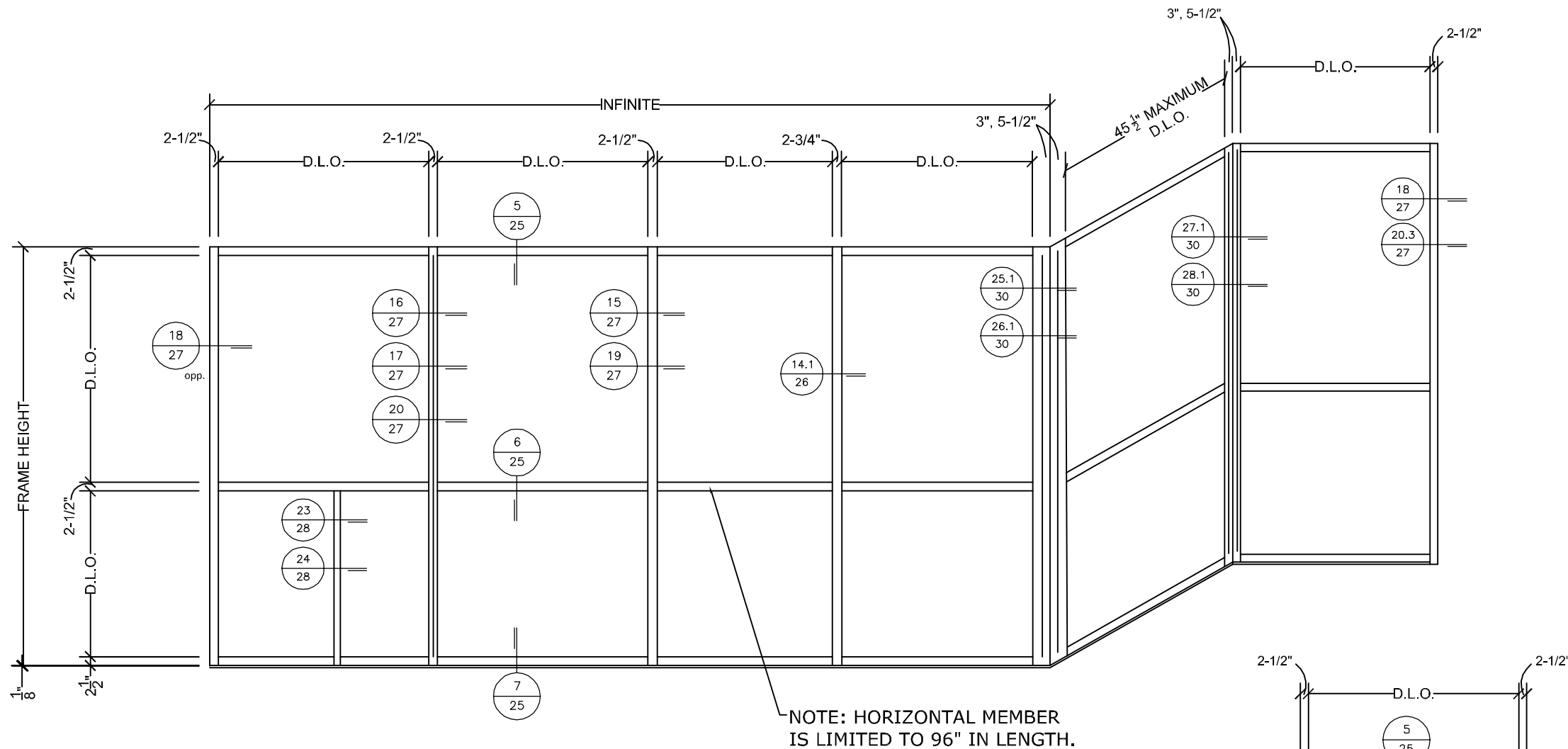
ENGINEERING EXPRESS®
POSTAL ADDRESS:
401 W. ATLANTIC AVE. R10 #219
DELRAY BEACH, FL 33444
ENGINEERINGEXPRESS.COM

Oldcastle BuildingEnvelope®
803 AIRPORT ROAD
TERRELL, TX 75160
Phn. (972) 551-6100
FG-5700 STORMMAX® STOREFRONT SYSTEM
WET AND DRY GLAZED

REMARKS	DATE
INIT ISSUE	03/16/21

C:\Users\thayer\Engineering_Express\Production - Documents\Projects\21-38374 FG5700 Impact Storefront - OBE\Work\Drawings & CAD\21-38374c FG5700 Impact Storefront - TD.dwg

08/31/2021 - 12:35pm thayer



**INSIDE DRY GLAZED ELEVATIONS
(DEPICTED WITH FG-5180 SUB SILL)**

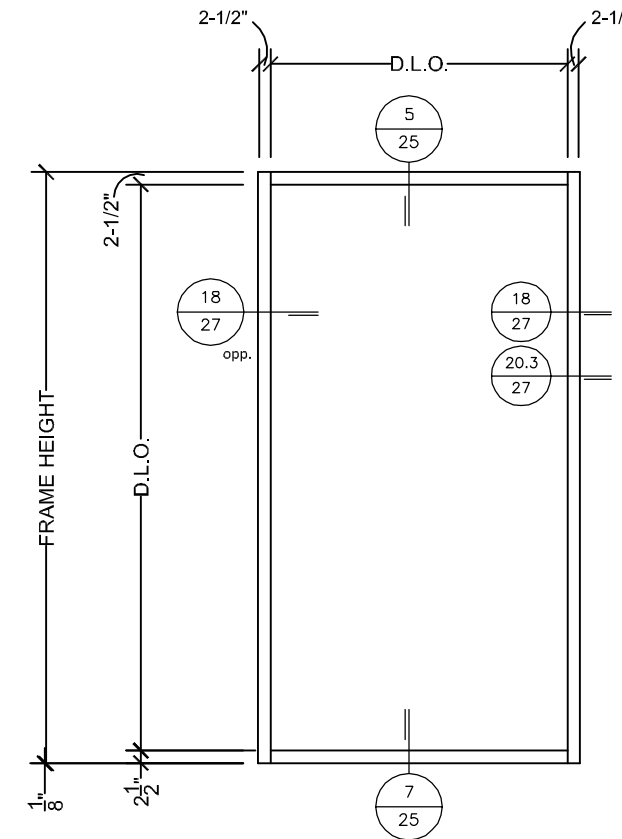
INSTRUCTIONS TO DETERMINE DESIGN PRESSURE RATING

STEP ①: USE THE GLASS LOADING TABLES TO DETERMINE THE ALLOWABLE PRESSURE OF THE GLASS.

STEP ②: USE THE MULLION LOADING TABLE TO DETERMINE THE ALLOWABLE PRESSURES FOR THE MULLIONS
NOTE: TO DETERMINE THE LOADS OF THE MULLIONS, SEE DIAGRAM ON PAGE 9

STEP ③: THE MINIMUM VALUE BETWEEN STEP ① AND STEP ② WILL DETERMINE THE DESIGN LOAD PRESSURE FOR THE STOREFRONT SYSTEM.

STEP ④: LESSER OF SILL / HEAD ALLOWABLE PRESSURE (PAGE 25) AND FASTENER SCHEDULE (PAGES 15-24) MUST MEET OR EXCEED DESIGN LOAD PRESSURE FOR THE STOREFRONT SYSTEM.



TYPICAL SINGLE PANEL OPENING

FRAME SIZE FOR SINGLE OPENINGS SHALL BE GOVERNED BY THE MAXIMUM ALLOWABLE D.L.O. DIMENSIONS DISPLAYED ON THE GLASS CHARTS

DOORS ARE SHOWN BY SEPARATE APPROVAL
LESSER PRESSURE WILL PREVAIL ON COMBINED PRODUCTS
MINIMUM SHIM SPACE REQUIRED 1/4", MAXIMUM SHIM SPACE 1/2"

FRANK BENNARDO, P.E.
PE# 96064 CA-F-11383



08/31/2021

ENGINEERING EXPRESS
POSTAL ADDRESS:
401 W. ATLANTIC AVE. R10 #219
DELRAY BEACH, FL 33444
ENGINEERINGEXPRESS.COM

Oldcastle BuildingEnvelope®

803 AIRPORT ROAD
TERRELL, TX 75160
Phn. (972) 551-6100

FG-5700 STORMMAX® STOREFRONT SYSTEM
WET AND DRY GLAZED

REMARKS	DRWN	CHKD	DATE
INIT ISSUE	JEM	AJP	03/16/21

COPYRIGHT ENGINEERING EXPRESS®

21-38374

SCALE: NTS UNLESS NOTED

OF 34
03

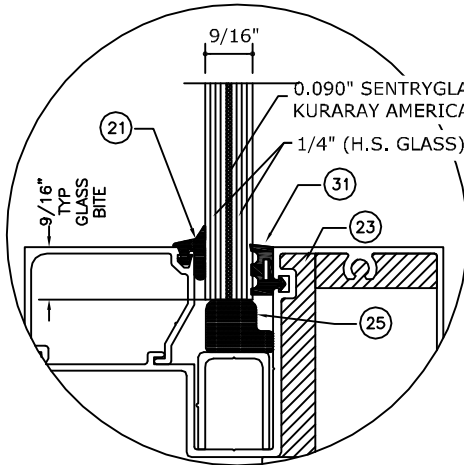
GLASS TYPES (L.M.I.) - MISSILE LEVEL "D"

FRANK BENNARDO, P.E.
PE# 96064 CA-F-11383



08/31/2021

ENGINEERING EXPRESS®
 POSTAL ADDRESS:
 401 W. ATLANTIC AVE. R10 #219
 DELRAY BEACH, FL 33444
 ENGINEERINGEXPRESS.COM



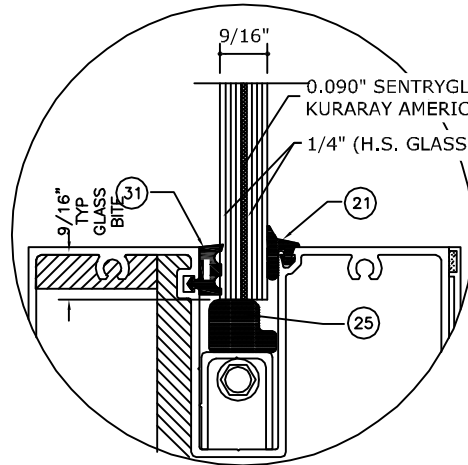
GLASS TYPE **G1**

GLAZING DETAIL (DRY GLAZED)

N.T.S.

GLASS RATING:

LARGE MISSILE LEVEL D
9/16" GLASS



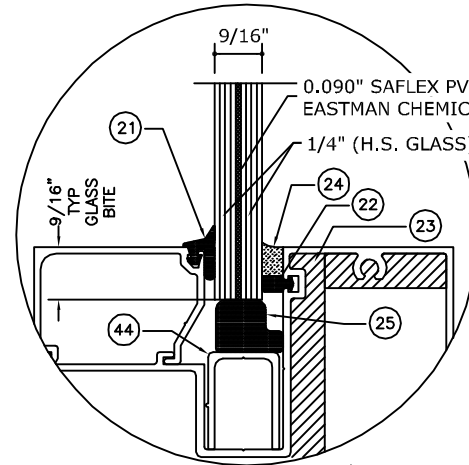
GLASS TYPE **G2**

GLAZING DETAIL (WET GLAZED)

N.T.S.

GLASS RATING:

LARGE MISSILE LEVEL D
9/16" GLASS



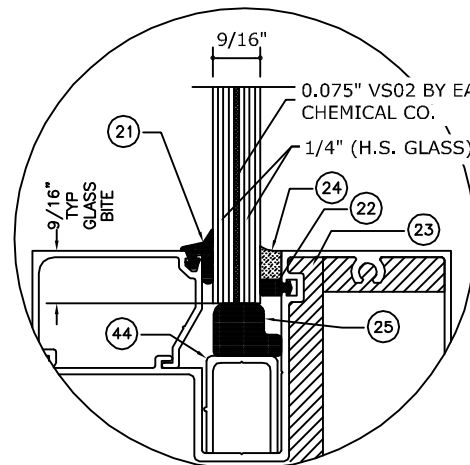
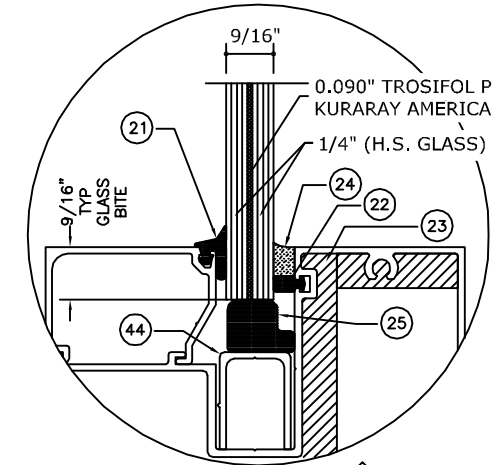
GLASS TYPE **G3**

GLAZING DETAIL (WET GLAZED)

N.T.S.

GLASS RATING:

LARGE MISSILE LEVEL D
9/16" GLASS



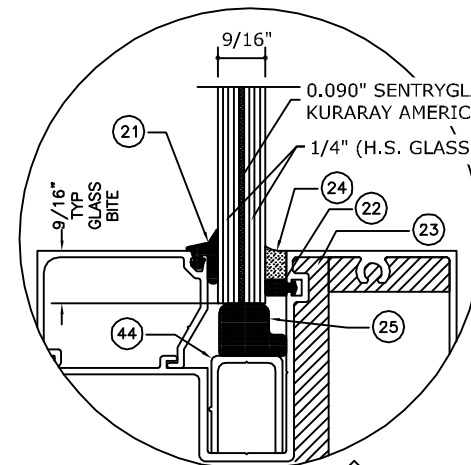
GLASS TYPE **G4**

GLAZING DETAIL (WET GLAZED)

N.T.S.

GLASS RATING:

LARGE MISSILE LEVEL D
9/16" GLASS



GLASS TYPE **G5**

GLAZING DETAIL (WET GLAZED)

N.T.S.

GLASS RATING:

LARGE MISSILE LEVEL D
9/16" GLASS

Oldcastle BuildingEnvelope®

803 AIRPORT ROAD
TERRELL, TX 75160
Phn. (972) 551-6100

FG-5700 STORMMAX® STOREFRONT SYSTEM
WET AND DRY GLAZED

REMARKS	DRWN	CHKD	DATE
INIT ISSUE	JEM	AJP	03/16/21

COPYRIGHT ENGINEERING EXPRESS®

21-38374

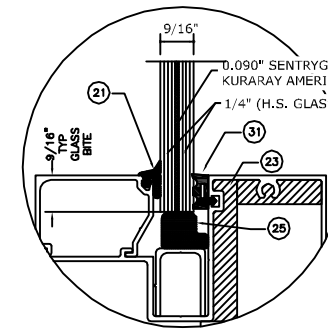
SCALE: NTS UNLESS NOTED

OF 34

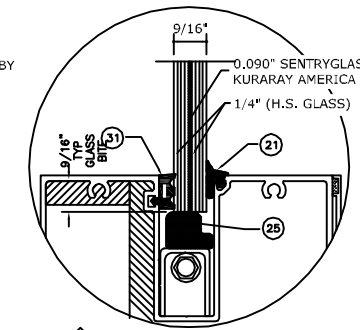
04

GLASS LOADING TABLES

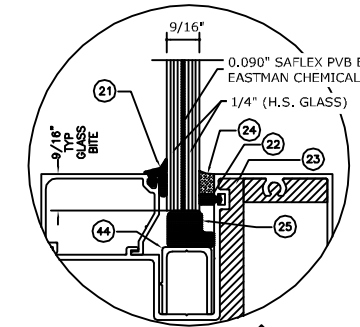
GLASS TYPES		G1		G2		G3		G4		G5	
		ALLOWABLE PRESSURE		ALLOWABLE PRESSURE		ALLOWABLE PRESSURE		ALLOWABLE PRESSURE		ALLOWABLE PRESSURE	
D.L.O. HEIGHT (in)	D.L.O. WIDTH (in)	(+) P.S.F	(-) P.S.F	(+) P.S.F	(-) P.S.F	(+) P.S.F	(-) P.S.F	(+) P.S.F	(-) P.S.F	(+) P.S.F	(-) P.S.F
54	24	60	70	65	65	65	65	70	80	90	90
	30	60	70	65	65	65	65	70	80	90	90
	36	60	70	65	65	65	65	70	80	90	90
	42	60	70	65	65	65	65	70	80	90	90
	48	60	70	60	60	56	56	70	80	90	90
	54	60	70	60	60	50	50	70	80	80	80
	56 1/4	60	70	60	60	50	50	70	80	80	80
	57 1/2	60	70	60	60	50	50	70	80	80	80
	60	60	70	60	60	50	50	70	80	80	80
	66	60	70	60	60	50	50	70	80	80	80
60	24	60	70	65	65	65	65	70	80	90	90
	30	60	70	65	65	65	65	70	80	90	90
	36	60	70	65	65	65	65	70	80	90	90
	42	60	70	65	65	65	65	70	80	90	90
	48	60	70	60	60	56	56	70	80	90	90
	54	60	70	60	60	50	50	70	80	80	80
	56 1/4	60	70	60	60	48	48	70	80	76	76
	57 1/2	60	70	60	60	47	47	70	80	75	75
	60	57	67	57	57	45	45	67	76	72	72
	66	57	67	57	57	45	45	67	76	72	72
66	24	60	70	65	65	65	65	70	80	90	90
	30	60	70	65	65	65	65	70	80	90	90
	36	60	70	65	65	65	65	70	80	90	90
	42	60	70	65	65	65	65	70	80	90	90
	48	60	70	60	60	56	56	70	80	90	90
	54	60	70	60	60	50	50	70	80	80	80
	56 1/4	60	70	60	60	48	48	70	80	76	76
	57 1/2	60	70	60	60	47	47	70	80	75	75
	60	57	67	57	57	45	45	67	76	72	72
	66	52	60	52	52	-	-	60	69	65	65
72	24	60	70	65	65	65	65	70	80	90	90
	30	60	70	65	65	65	65	70	80	90	90
	36	60	70	65	65	65	65	70	80	90	90
	42	60	70	65	65	65	65	70	80	90	90
	48	60	70	60	60	56	56	70	80	90	90
	54	60	70	60	60	50	50	70	80	80	80
	56 1/4	60	70	60	60	48	48	70	80	76	76
	57 1/2	60	70	60	60	47	47	70	80	75	75
	60	57	67	57	57	45	45	67	76	72	72
	66	52	60	52	52	-	-	60	69	65	65
72	47	55	47	47	-	-	55	63	60	60	



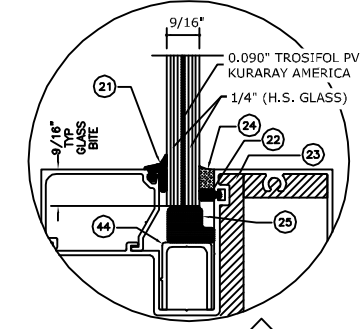
GLASS TYPE G1



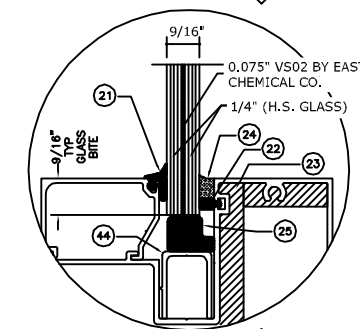
GLASS TYPE G2



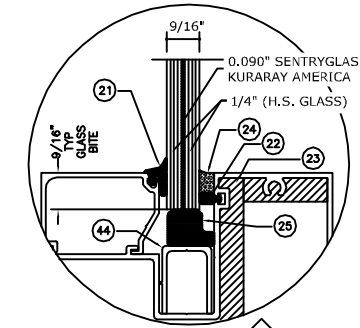
GLASS TYPE G3



GLASS TYPE G4



GLASS TYPE G5



FRANK BENNARDO, P.E.
PE# 96064 CA-F-11383



08/31/2021

ENGINEERING EXPRESS
 POSTAL ADDRESS:
 401 W. ATLANTIC AVE. R10 #219
 DELRAY BEACH, FL 33444
 ENGINEERINGEXPRESS.COM

Oldcastle BuildingEnvelope®

803 AIRPORT ROAD
 TERRELL, TX 75160
 Phn. (972) 551-6100

FG-5700 STORMMAX® STOREFRONT SYSTEM
 WET AND DRY GLAZED

DATE	03/16/21
DRWN CHKD	JEM /AJP
REMARKS	INIT ISSUE

COPYRIGHT ENGINEERING EXPRESS®

21-38374

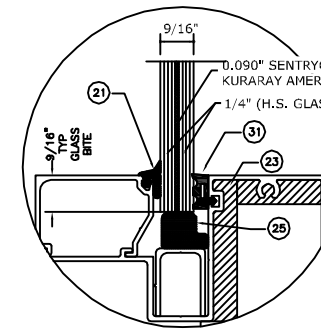
SCALE: NTS UNLESS NOTED

05

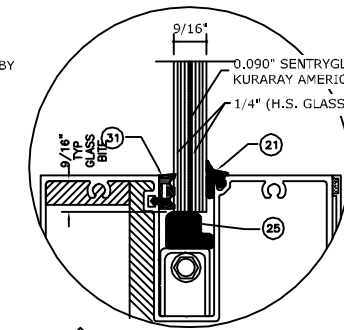
C:\Users\thayer\Engineering\Express\Production - Documents\Projects\21-38374 FG5700 Impact Storefront - OBE\Work\Drawings & CAD\21-38374c FG5700 Impact Storefront - TD.dwg

GLASS LOADING TABLES

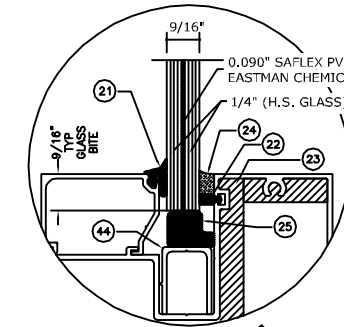
GLASS TYPES		G1		G2		G3		G4		G5	
		ALLOWABLE PRESSURE		ALLOWABLE PRESSURE		ALLOWABLE PRESSURE		ALLOWABLE PRESSURE		ALLOWABLE PRESSURE	
D.L.O. HEIGHT (in)	D.L.O. WIDTH (in)	(+) P.S.F	(-) P.S.F	(+) P.S.F	(-) P.S.F	(+) P.S.F	(-) P.S.F	(+) P.S.F	(-) P.S.F	(+) P.S.F	(-) P.S.F
78	24	60	70	65	65	65	65	70	80	90	90
	30	60	70	65	65	65	65	70	80	90	90
	36	60	70	65	65	65	65	70	80	90	90
	42	60	70	65	65	65	65	70	80	90	90
	48	60	70	60	60	56	56	70	80	90	90
	54	60	70	60	60	50	50	70	80	80	80
	56 1/4	60	70	60	60	-	-	70	80	76	76
	57 1/2	60	70	60	60	-	-	70	80	75	75
	60	57	67	57	57	-	-	67	76	72	72
84	24	60	70	65	65	65	65	70	80	90	90
	30	60	70	65	65	65	65	70	80	90	90
	36	60	70	65	65	65	65	70	80	90	90
	42	60	70	65	65	65	65	70	80	90	90
	48	60	70	60	60	56	56	70	80	90	90
	54	60	70	60	60	-	-	70	80	80	80
	56 1/4	60	70	60	60	-	-	70	80	76	76
	57 1/2	60	70	59	59	-	-	69	79	75	75
	60	57	67	57	57	-	-	67	76	72	72
90	24	60	70	65	65	65	65	70	80	90	90
	30	60	70	65	65	65	65	70	80	90	90
	36	60	70	65	65	65	65	70	80	90	90
	42	60	70	65	65	65	65	70	80	90	90
	48	60	70	60	60	56	56	70	80	90	90
	54	60	70	60	60	-	-	70	80	80	80
	56 1/4	60	70	60	60	-	-	70	80	76	76
	57 1/2	60	70	59	59	-	-	70	80	75	75
	60	57	67	57	57	-	-	67	76	72	72
96	24	60	70	65	65	65	65	70	80	90	90
	30	60	70	65	65	65	65	70	80	90	90
	36	60	70	65	65	65	65	70	80	90	90
	42	60	70	60	60	65	65	70	80	90	90
	48	60	70	60	60	-	-	70	80	90	90
	54	60	70	60	60	-	-	70	80	80	80
	56 1/4	60	70	60	60	-	-	70	80	76	76
	57 1/2	60	70	60	60	-	-	70	80	75	75



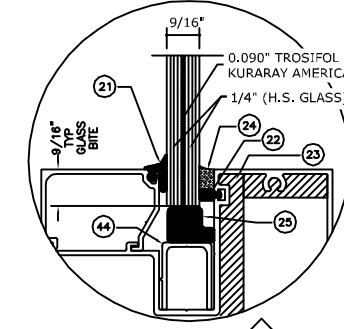
GLASS TYPE G1



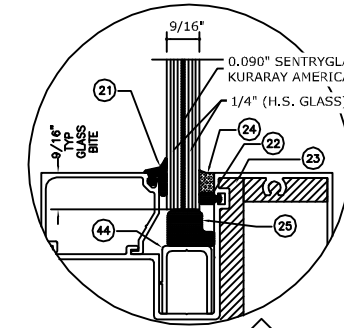
GLASS TYPE G2



GLASS TYPE G3



GLASS TYPE G4



GLASS TYPE G5

FRANK BENNARDO, P.E.
PE# 96064 CA-F-11383



08/31/2021

ENGINEERING EXPRESS
 POSTAL ADDRESS:
 401 W. ATLANTIC AVE. R10 #219
 DELRAY BEACH, FL 33444
 ENGINEERINGEXPRESS.COM

Oldcastle BuildingEnvelope®

803 AIRPORT ROAD
 TERRELL, TX 75160
 Phn. (972) 551-6100

FG-5700 STORMMAX® STOREFRONT SYSTEM
 WET AND DRY GLAZED

DATE	03/16/21
DRWN	JEM
CHKD	AJP
REMARKS	INIT ISSUE

COPYRIGHT ENGINEERING EXPRESS®

21-38374

SCALE: NTS UNLESS NOTED

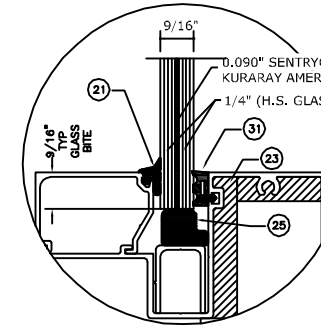
OF 34

06

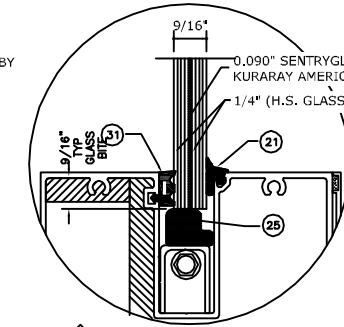
C:\Users\thayer\Engineering\Express\Production - Documents\Projects\21-38374 FG5700 Impact Storefront - OBE\Work\Drawings & CAD\21-38374c FG5700 Impact Storefront - TD\dwg

GLASS LOADING TABLES

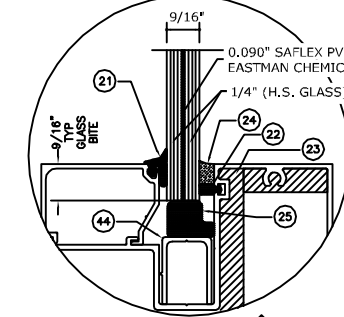
GLASS TYPES		G1		G2		G3		G4		G5	
		ALLOWABLE PRESSURE		ALLOWABLE PRESSURE		ALLOWABLE PRESSURE		ALLOWABLE PRESSURE		ALLOWABLE PRESSURE	
D.L.O. HEIGHT (in)	D.L.O. WIDTH (in)	(+) P.S.F.	(-) P.S.F.	(+) P.S.F.	(-) P.S.F.	(+) P.S.F.	(-) P.S.F.	(+) P.S.F.	(-) P.S.F.	(+) P.S.F.	(-) P.S.F.
103	24	60	70	65	65	65	65	70	80	90	90
	30	60	70	65	65	65	65	70	80	90	90
	36	60	70	65	65	65	65	70	80	90	90
	42	60	70	60	60	65	65	70	80	90	90
	48	60	70	60	60	-	-	70	80	90	90
108	24	60	70	65	65	65	65	70	80	90	90
	30	60	70	65	65	65	65	70	80	90	90
	36	60	70	60	60	65	65	70	80	90	90
	42	60	70	60	60	-	-	70	80	90	90
	48	60	70	60	60	-	-	70	80	90	90
115	24	60	70	65	65	65	65	70	80	90	90
	30	60	70	65	65	65	65	70	80	90	90
	36	60	70	60	60	65	65	70	80	90	90
	42	60	70	60	60	-	-	70	80	90	90
	48	60	70	60	60	-	-	70	80	90	90
120	24	60	70	65	65	65	65	70	80	90	90
	30	60	70	65	65	65	65	70	80	90	90
	36	60	70	60	60	65	65	70	80	90	90
	42	60	70	60	60	-	-	70	80	90	90



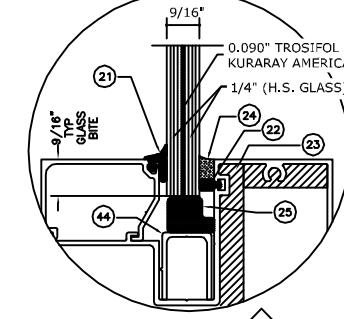
GLASS TYPE G1



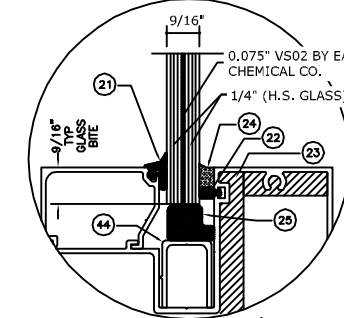
GLASS TYPE G2



GLASS TYPE G3



GLASS TYPE G4



GLASS TYPE G5

FRANK BENNARDO, P.E.
PE# 96064 CA-F-11383



08/31/2021

ENGINEERING EXPRESS
 POSTAL ADDRESS:
 401 W. ATLANTIC AVE. R10 #219
 DELRAY BEACH, FL 33444
 ENGINEERINGEXPRESS.COM

Oldcastle BuildingEnvelope®

803 AIRPORT ROAD
 TERRELL, TX 75160
 Phn. (972) 551-6100

FG-5700 STORMMAX® STOREFRONT SYSTEM
 WET AND DRY GLAZED

REMARKS	DRWN	CHKD	DATE
INIT ISSUE	JEM	AJP	03/16/21

COPYRIGHT ENGINEERING EXPRESS®

21-38374

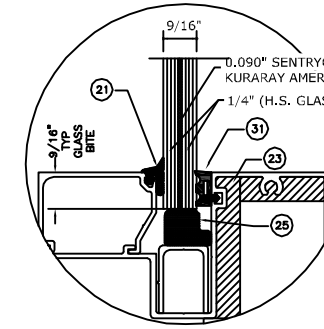
SCALE: NTS UNLESS NOTED

OF 34

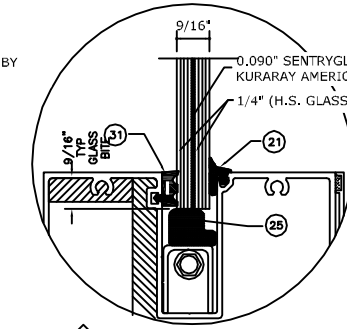
07

GLASS LOADING TABLES

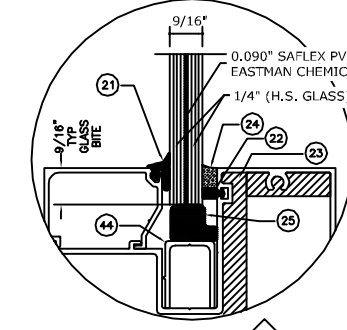
GLASS TYPES		G1		G2		G3		G4		G5	
		ALLOWABLE PRESSURE		ALLOWABLE PRESSURE		ALLOWABLE PRESSURE		ALLOWABLE PRESSURE		ALLOWABLE PRESSURE	
D.L.O. HEIGHT (in)	D.L.O. WIDTH (in)	(+) P.S.F	(-) P.S.F	(+) P.S.F	(-) P.S.F	(+) P.S.F	(-) P.S.F	(+) P.S.F	(-) P.S.F	(+) P.S.F	(-) P.S.F
126	24	60	70	65	65	65	65	70	80	90	90
	30	60	70	65	65	65	65	70	80	90	90
	36	60	70	60	60	-	-	70	80	90	90
	42	60	70	60	60	-	-	70	80	90	90
132	24	60	70	65	65	65	65	70	80	90	90
	30	60	70	60	60	65	65	70	80	90	90
	36	60	70	60	60	-	-	70	80	90	90
144	24	60	70	65	65	65	65	70	80	90	90
	30	60	70	60	60	65	65	70	80	90	90
	36	60	70	60	60	-	-	70	80	90	90



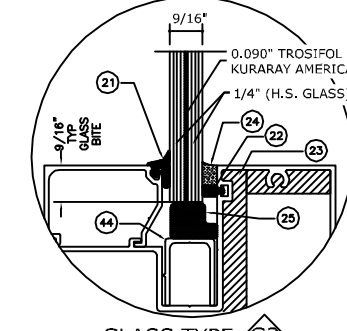
GLASS TYPE G1



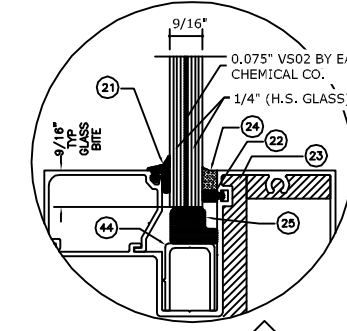
GLASS TYPE G2



GLASS TYPE G3



GLASS TYPE G4



GLASS TYPE G5

FRANK BENNARDO, P.E.
PE# 96064 CA-F-11383



08/31/2021

ENGINEERING EXPRESS
 POSTAL ADDRESS:
 401 W. ATLANTIC AVE. R10 #219
 DELRAY BEACH, FL 33444
 ENGINEERINGEXPRESS.COM

Oldcastle BuildingEnvelope®

803 AIRPORT ROAD
 TERRELL, TX 75160
 Phn. (972) 551-6100

FG-5700 STORMMAX® STOREFRONT SYSTEM
 WET AND DRY GLAZED

REMARKS	DRWN	CHKD	DATE
INIT ISSUE	JEM	AJP	03/16/21

COPYRIGHT ENGINEERING EXPRESS®

21-38374

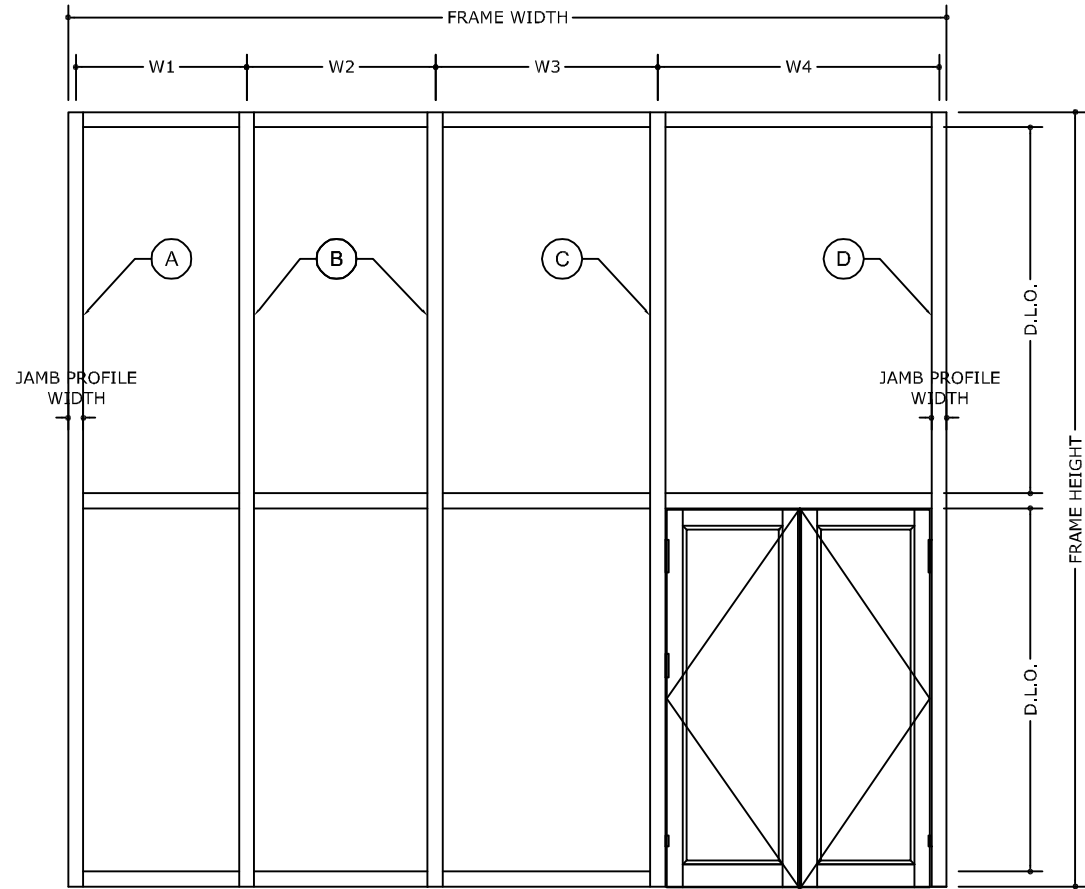
SCALE: NTS UNLESS NOTED

OF 34

08

C:\Users\thayer\Engineering_Express\Production - Documents\Projects\21-38374 FG5700 Impact Storefront - CAD\21-38374c FG5700 Impact Storefront - TD1.dwg

MULLION & JAMB LOAD DETERMINATION



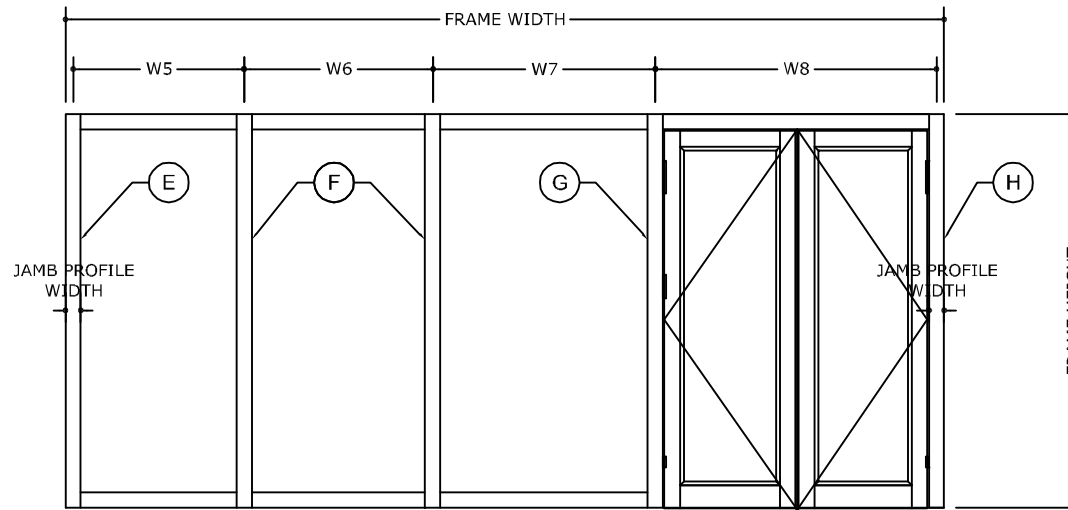
LOAD DETERMINATION

TRIBUTARY WIDTH A = $\frac{W1}{2} + 1/2"$ JAMB PROFILE WIDTH
(FOR STANDARD JAMB MULLION)

TRIBUTARY WIDTH B = LARGER OF $\frac{W1 + W2}{2}$ OR $\frac{W2 + W3}{2}$
(FOR STANDARD MULLION)

TRIBUTARY WIDTH C = $\frac{W3 + W4}{2}$
(FOR INTERMEDIATE DOOR MULLION)

TRIBUTARY WIDTH D = $\frac{W4}{2} + 1/2"$ JAMB PROFILE WIDTH
(FOR DOOR JAMB MULLION)



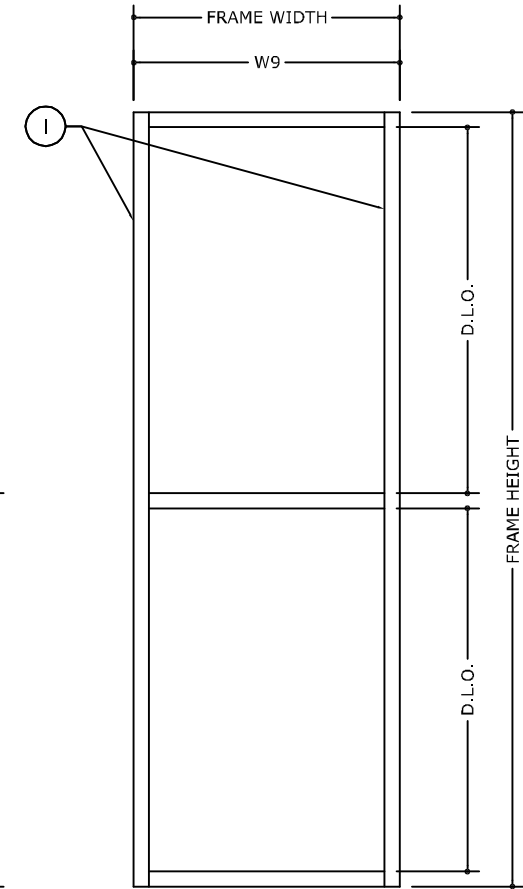
LOAD DETERMINATION

TRIBUTARY WIDTH E = $\frac{W5}{2} + 1/2"$ JAMB PROFILE WIDTH
(FOR STANDARD JAMB MULLION)

TRIBUTARY WIDTH F = LARGER OF $\frac{W5 + W6}{2}$ OR $\frac{W6 + W7}{2}$
(FOR STANDARD MULLION)

TRIBUTARY WIDTH G = $\frac{W7 + W8}{2}$
(FOR INTERMEDIATE DOOR MULLION)

TRIBUTARY WIDTH H = $\frac{W8}{4} + 1/2"$ JAMB PROFILE WIDTH
(FOR DOOR JAMB MULLION)



LOAD DETERMINATION

TRIBUTARY WIDTH I = $\frac{W9}{2}$
(FOR STANDARD JAMB MULLION)

(A)	(E)	(I)	JAMB MULLION
(B)	(F)		STANDARD MULLION
(C)	(G)		DOOR JAMB INTERMEDIATE MULLION
(D)	(H)		DOOR JAMB MULLION

FRANK BENNARDO, P.E.
PE# 96064 CA.-F-11383



08/31/2021

ENGINEERING EXPRESS
 POSTAL ADDRESS:
 401 W. ATLANTIC AVE. R10 #219
 DELRAY BEACH, FL 33444
 ENGINEERINGEXPRESS.COM

Oldcastle BuildingEnvelope®

803 AIRPORT ROAD
 TERRELL, TX 75160
 Phn. (972) 551-6100
 FG-5700 STORMMAX® STOREFRONT SYSTEM
 WET AND DRY GLAZED

REMARKS	DRWN	CHKD	DATE
INIT ISSUE	JEM	AJP	03/16/21

COPYRIGHT ENGINEERING EXPRESS®

21-38374

SCALE: NTS UNLESS NOTED

OF 34

09

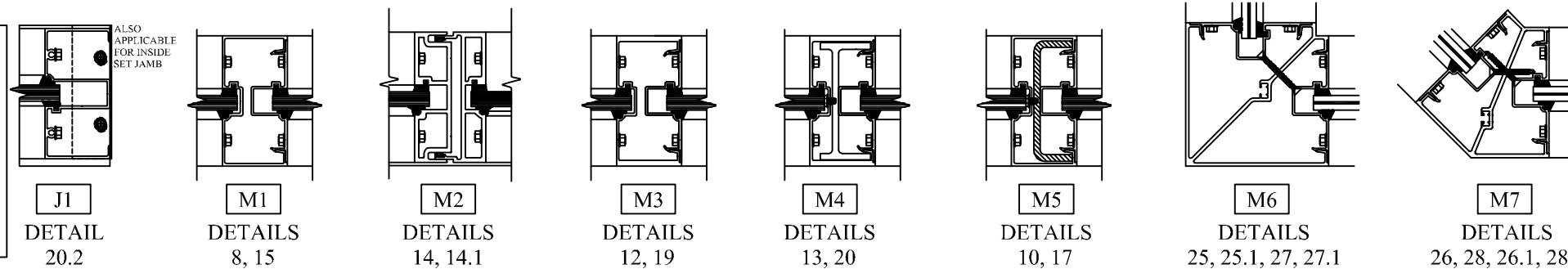
MULLION LOADING TABLES (P.S.F.)

SINGLE SPAN MULLION LOADING CHART		MULLION TYPE M1		MULLION TYPE M2		MULLION TYPE M3		MULLION TYPE M4		MULLION TYPE M5		MULLION TYPE M6		MULLION TYPE M7	
FRAME HEIGHT (in)	FRAME WIDTH (in)	(+) P.S.F	(-) P.S.F	(+) P.S.F	(-) P.S.F	(+) P.S.F	(-) P.S.F	(+) P.S.F	(-) P.S.F	(+) P.S.F	(-) P.S.F	(+) P.S.F	(-) P.S.F	(+) P.S.F	(-) P.S.F
60	24	65	65	70	70	60	60	60	60	90	90	70	80	70	70
	30	65	65	70	70	60	60	60	60	90	90	70	80	70	70
	36	65	65	70	70	60	60	60	60	90	90	70	80	70	70
	42	65	65	70	70	60	60	60	60	90	90	70	80	70	70
	44.75	65	65	70	70	60	60	60	60	90	90	70	80	70	70
	48	65	65	70	70	60	60	60	60	90	90	70	80	70	70
	54	65	65	70	70	60	60	60	60	90	90	70	80	70	70
	60	65	65	70	70	60	60	60	60	90	90	70	80	70	70
	66	65	65	70	70	60	60	60	60	90	90	70	80	70	70
	72	65	65	70	70	60	60	60	60	90	90	70	80	70	70
64	24	65	65	70	70	60	60	60	60	90	90	70	80	70	70
	30	65	65	70	70	60	60	60	60	90	90	70	80	70	70
	36	65	65	70	70	60	60	60	60	90	90	70	80	70	70
	42	65	65	70	70	60	60	60	60	90	90	70	80	70	70
	44.75	65	65	70	70	60	60	60	60	90	90	70	80	70	70
	48	65	65	70	70	60	60	60	60	90	90	70	80	70	70
	54	65	65	70	70	60	60	60	60	90	90	70	80	70	70
	60	65	65	70	70	60	60	60	60	90	90	70	80	70	70
	66	65	65	70	70	60	60	60	60	90	90	70	80	70	70
	72	65	65	70	70	60	60	60	60	90	90	70	80	70	70
66	24	65	65	70	70	60	60	60	60	90	90	70	80	70	70
	30	65	65	70	70	60	60	60	60	90	90	70	80	70	70
	36	65	65	70	70	60	60	60	60	90	90	70	80	70	70
	42	65	65	70	70	60	60	60	60	90	90	70	80	70	70
	44.75	65	65	70	70	60	60	60	60	90	90	70	80	70	70
	48	65	65	70	70	60	60	60	60	90	90	70	80	70	70
	54	65	65	70	70	60	60	60	60	90	90	70	80	70	70
	60	65	65	70	70	60	60	60	60	90	90	70	80	70	70
	66	65	65	70	70	60	60	60	60	90	90	70	80	70	70
	72	65	65	70	70	60	60	60	60	90	90	70	80	70	70
72	24	65	65	70	70	60	60	60	60	90	90	70	80	70	70
	30	65	65	70	70	60	60	60	60	90	90	70	80	70	70
	36	65	65	70	70	60	60	60	60	90	90	70	80	70	70
	42	65	65	70	70	60	60	60	60	90	90	70	80	70	70
	44.75	65	65	70	70	60	60	60	60	90	90	70	80	70	70
	48	65	65	70	70	60	60	60	60	90	90	70	80	70	70
	54	65	65	70	70	60	60	60	60	90	90	70	80	70	70
	60	65	65	70	70	60	60	60	60	90	90	70	80	70	70
	66	65	65	70	70	60	60	60	60	90	90	70	80	70	70
	72	-	-	70	70	60	60	60	60	90	90	70	80	70	70
78	-	-	-	-	60	60	60	60	90	90	70	80	70	70	

SINGLE SPAN JAMB LOADING CHART		MULLION TYPE J1	
FRAME HEIGHT (in)	FRAME WIDTH (in)	(+) P.S.F	(-) P.S.F
36	24	90	90
	30	90	90
	36	90	90
	42	90	90
	44.75	90	90
	48	90	90
	54	90	90
	60	90	90
	66	90	90
	72	90	90
48	24	90	90
	30	90	90
	36	90	90
	42	90	90
	44.75	90	90
	48	90	90
	54	90	90
	60	90	90
	66	90	90
	72	90	90
50	24	90	90
	30	90	90
	36	90	90
	42	90	90
	44.75	90	90
	48	90	90
	54	90	90
	60	90	90
	66	90	90
	72	90	90
54	24	90	90
	30	90	90
	36	90	90
	42	90	90
	44.75	90	90
	48	90	90
	60	90	90
	66	90	90
	72	90	90
	78	90	90
60	24	90	90
	30	90	90
	36	90	90
	42	90	90
	44.75	90	90
	48	90	90
	60	90	90
	66	90	90
	72	90	90
	78	90	90
64	24	90	90
	30	90	90
	36	90	90
	42	90	90
	44.75	90	90
	48	90	90
	60	90	90
	66	90	90
	72	90	90
	78	90	90
66	24	90	90
	30	90	90
	36	90	90
	42	90	90
	44.75	90	90
	48	90	90
	60	90	90
	66	90	90
	72	90	90
	78	90	90
72	24	90	90
	30	90	90
	36	90	90
	42	90	90
	44.75	90	90
	48	90	90
	60	90	90
	66	90	90
	72	90	90
	78	90	90

C:\Users\thayer\Engineering\Express\Production - Documents\Projects\21-38374 FG5700 Impact Storefront - CAD\21-38374c FG5700 Impact Storefront - TD1.dwg

- APPLICABLE FOR UN-ANCHORED JAMB CONDITION ONLY
- JAMB TRIBUTARY SHALL BE DETERMINED PER SHEET 09 FOR SINGLE UNIT OR MULTI-UNITS STOREFRONT



NOTE: FRAME WIDTHS = FRAME TRIBUTARY WIDTH

NOTE: SPANS NOT IN THIS TABLE CAN BE ADDED UNDER SITE SPECIFIC ENGINEERING AND SHALL BE APPROVED BY THE AUTHORITY HAVING JURISDICTION (AHJ)

FRANK BENNARDO, P.E.
PE# 96064 CA-F-11383



08/31/2021

ENGINEERING EXPRESS
 POSTAL ADDRESS:
 401 W. ATLANTIC AVE. R10 #219
 DELRAY BEACH, FL 33444
 ENGINEERINGEXPRESS.COM

Oldcastle BuildingEnvelope®
 803 AIRPORT ROAD
 TERRELL, TX 75160
 Phn. (972) 551-6100

FG-5700 STORMMAX® STOREFRONT SYSTEM
 WET AND DRY GLAZED

REMARKS	DATE
INIT ISSUE	03/16/21
DRWN	JEM
CHKD	AJP

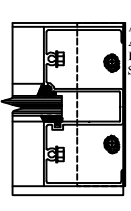
COPYRIGHT ENGINEERING EXPRESS®
 21-38374
 SCALE: NTS UNLESS NOTED

C:\Users\thayer\Engineering_Express\Production - Documents\Projects\21-38374 FG5700 Impact Storefront - OBE\WorkDrawings & CAD\21-38374c FG5700 Impact Storefront - TD1.dwg

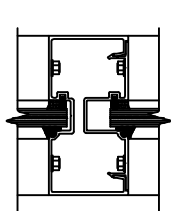
MULLION LOADING TABLES (P.S.F.)

SINGLE SPAN MULLION LOADING CHART		MULLION TYPE M1		MULLION TYPE M2		MULLION TYPE M3		MULLION TYPE M4		MULLION TYPE M5		MULLION TYPE M6		MULLION TYPE M7		
FRAME HEIGHT (in)	FRAME WIDTH (in)	(+) P.S.F	(-) P.S.F	(+) P.S.F	(-) P.S.F	(+) P.S.F	(-) P.S.F	(+) P.S.F	(-) P.S.F	(+) P.S.F	(-) P.S.F	(+) P.S.F	(-) P.S.F	(+) P.S.F	(-) P.S.F	
78	24	65	65	70	70	60	60	60	60	90	90	70	80	70	70	
	30	65	65	70	70	60	60	60	60	90	90	70	80	70	70	
	36	65	65	70	70	60	60	60	60	90	90	70	80	70	70	
	42	65	65	70	70	60	60	60	60	90	90	70	80	70	70	
	44.75	65	65	70	70	60	60	60	60	90	90	70	80	70	70	
	48	65	65	70	70	60	60	60	60	90	90	70	80	70	70	
	54	65	65	70	70	60	60	60	60	90	90	70	80	70	70	
	60	65	65	70	70	60	60	60	60	90	90	70	80	70	70	
	66	-	-	-	70	70	60	60	60	60	90	90	70	80	70	70
	72	-	-	-	-	-	60	60	60	60	90	90	70	80	70	70
78	-	-	-	-	-	-	-	60	60	90	90	70	80	70	70	
84	24	65	65	70	70	60	60	60	60	90	90	70	80	70	70	
	30	65	65	70	70	60	60	60	60	90	90	70	80	70	70	
	36	65	65	70	70	60	60	60	60	90	90	70	80	70	70	
	42	65	65	70	70	60	60	60	60	90	90	70	80	70	70	
	44.75	65	65	70	70	60	60	60	60	90	90	70	80	70	70	
	48	65	65	70	70	60	60	60	60	90	90	70	80	70	70	
	54	65	65	70	70	60	60	60	60	90	90	70	80	70	70	
	60	-	-	-	70	70	60	60	60	60	90	90	70	80	70	70
	66	-	-	-	-	-	60	60	60	60	90	90	70	80	70	70
	72	-	-	-	-	-	-	-	60	60	90	90	70	80	70	70
78	-	-	-	-	-	-	-	60	60	90	90	70	80	70	70	
89	24	65	65	70	70	60	60	60	60	90	90	70	80	70	70	
	30	65	65	70	70	60	60	60	60	90	90	70	80	70	70	
	36	65	65	70	70	60	60	60	60	90	90	70	80	70	70	
	42	65	65	70	70	60	60	60	60	90	90	70	80	70	70	
	44.75	65	65	70	70	60	60	60	60	90	90	70	80	70	70	
	48	65	65	70	70	60	60	60	60	90	90	70	80	70	70	
	54	65	65	70	70	60	60	60	60	90	90	70	80	70	70	
	60	-	-	-	-	60	60	60	60	90	90	70	80	70	70	
	66	-	-	-	-	-	60	60	60	60	87	90	70	80	70	70
	72	-	-	-	-	-	60	60	60	60	84	90	70	80	70	70
78	-	-	-	-	-	-	-	82	90	70	80	-	-	-	-	
96	24	65	65	70	70	60	60	60	60	90	90	70	80	70	70	
	30	65	65	70	70	60	60	60	60	90	90	70	80	70	70	
	36	65	65	70	70	60	60	60	60	90	90	70	80	70	70	
	42	65	65	70	70	60	60	60	60	90	90	70	80	70	70	
	44.75	65	65	70	70	60	60	60	60	90	90	70	80	70	70	
	48	65	65	70	70	60	60	60	60	90	90	70	80	70	70	
	54	-	-	70	70	60	60	60	60	86	90	70	80	70	70	
	60	-	-	-	-	60	60	60	60	81	90	70	80	70	70	
	66	-	-	-	-	-	-	60	60	80	90	70	80	70	70	
	72	-	-	-	-	-	-	60	60	79	90	70	80	-	-	
78	-	-	-	-	-	-	-	-	70	80	-	-	-	-		

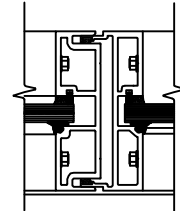
SINGLE SPAN JAMB LOADING CHART		MULLION TYPE J1	
FRAME HEIGHT (in)	FRAME WIDTH (in)	(+) P.S.F	(-) P.S.F
84	24	86	86
	30	90	90
89	24	81	81
96	24	74	74
102	24	69	69
108	24	65	65



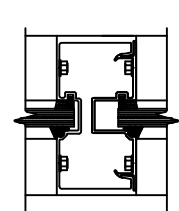
J1
DETAIL
20.2



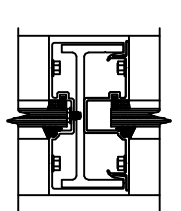
M1
DETAILS
8, 15



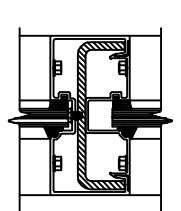
M2
DETAILS
14, 14.1



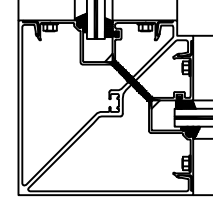
M3
DETAILS
12, 19



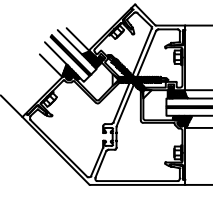
M4
DETAILS
13, 20



M5
DETAILS
10, 17



M6
DETAILS
25, 25.1, 27, 27.1



M7
DETAILS
26, 28, 26.1, 28.1

- APPLICABLE FOR UN-ANCHORED JAMB CONDITION ONLY
- JAMB TRIBUTARY SHALL BE DETERMINED PER SHEET 09 FOR SINGLE UNIT OR MULTI-UNITS STOREFRONT

ALSO APPLICABLE FOR INSIDE SET JAMB

NOTE: FRAME WIDTHS = FRAME TRIBUTARY WIDTH

NOTE: SPANS NOT IN THIS TABLE CAN BE ADDED UNDER SITE SPECIFIC ENGINEERING AND SHALL BE APPROVED BY THE AUTHORITY HAVING JURISDICTION (AHJ)

FRANK BENNARDO, P.E.
PE# 96064 CA-F-11383



08/31/2021

ENGINEERING EXPRESS
POSTAL ADDRESS:
401 W. ATLANTIC AVE. R10 #219
DELRAY BEACH, FL 33444
ENGINEERINGEXPRESS.COM

Oldcastle BuildingEnvelope®

803 AIRPORT ROAD
TERRELL, TX 75160
Phn. (972) 551-6100

FG-5700 STORMMAX® STOREFRONT SYSTEM
WET AND DRY GLAZED

REMARKS	DATE
INIT ISSUE	03/16/21

COPYRIGHT ENGINEERING EXPRESS®

21-38374

SCALE: NTS UNLESS NOTED

OF 34

11

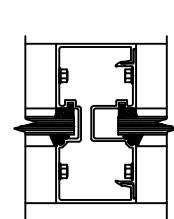
C:\Users\thayer\Engineering\Express\Production - Documents\Projects\21-38374 FG5700 Impact Storefront - CAD\21-38374c FG5700 Impact Storefront - TD.dwg

MULLION LOADING TABLES (P.S.F.)

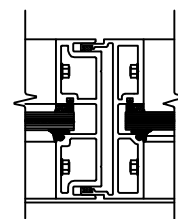
SINGLE SPAN MULLION LOADING CHART		MULLION TYPE M1		MULLION TYPE M2		MULLION TYPE M3		MULLION TYPE M4		MULLION TYPE M5		MULLION TYPE M6		MULLION TYPE M7	
		(+) P.S.F	(-) P.S.F	(+) P.S.F	(-) P.S.F	(+) P.S.F	(-) P.S.F	(+) P.S.F	(-) P.S.F	(+) P.S.F	(-) P.S.F	(+) P.S.F	(-) P.S.F	(+) P.S.F	(-) P.S.F
FRAME HEIGHT (in)	FRAME WIDTH (in)														
102	24	65	65	70	70	60	60	60	60	90	90	70	80	70	70
	30	65	65	70	70	60	60	60	60	90	90	70	80	70	70
	36	65	65	70	70	60	60	60	60	90	90	70	80	70	70
	42	65	65	70	70	60	60	60	60	90	90	70	80	70	70
	44.75	65	65	70	70	60	60	60	60	90	90	70	80	70	70
	48	-	-	70	70	60	60	60	60	86	90	70	80	70	70
	54	-	-	-	-	60	60	60	60	80	90	70	80	70	70
	60	-	-	-	-	-	-	60	60	77	90	70	80	70	70
	66	-	-	-	-	-	-	60	60	75	90	70	80	70	70
72	-	-	-	-	-	-	-	-	-	-	70	80	-	-	
108	24	65	65	70	70	60	60	60	60	90	90	70	80	70	70
	30	65	65	70	70	60	60	60	60	90	90	70	80	70	70
	36	65	65	70	70	60	60	60	60	90	90	70	80	70	70
	42	65	65	70	70	60	60	60	60	88	90	70	80	70	70
	44.75	65	65	70	70	60	60	60	60	84	90	70	80	70	70
	48	-	-	70	70	60	60	60	60	80	90	70	80	70	70
	54	-	-	70	70	-	-	60	60	77	90	70	80	70	70
	60	-	-	70	70	-	-	60	60	72	90	70	80	70	70
	66	-	-	-	-	-	-	-	-	69	87	70	80	-	-
72	-	-	-	-	-	-	-	-	-	-	70	80	-	-	
109	24	-	-	70	70	60	60	60	60	90	90	70	80	70	70
	30	-	-	70	70	60	60	60	60	90	90	70	80	70	70
	36	-	-	70	70	60	60	60	60	90	90	70	80	70	70
	42	-	-	70	70	60	60	60	60	88	90	70	80	70	70
	44.75	-	-	70	70	60	60	60	60	84	90	70	80	70	70
	48	-	-	70	70	60	60	60	60	80	90	70	80	70	70
	54	-	-	70	70	-	-	60	60	77	90	70	80	70	70
	60	-	-	70	70	-	-	60	60	72	90	70	80	70	70
	66	-	-	-	-	-	-	-	-	69	87	70	80	-	-
72	-	-	-	-	-	-	-	-	-	-	70	80	-	-	
114	24	-	-	-	-	60	60	60	60	90	90	70	80	-	-
	30	-	-	-	-	60	60	60	60	90	90	70	80	-	-
	36	-	-	-	-	60	60	60	60	90	90	70	80	-	-
	42	-	-	-	-	60	60	60	60	85	90	70	80	-	-
	44.75	-	-	-	-	60	60	60	60	80	90	70	80	-	-
	48	-	-	-	-	60	60	60	60	77	90	70	80	-	-
	54	-	-	-	-	-	-	60	60	73	90	70	80	-	-
	60	-	-	-	-	-	-	60	60	70	85	70	80	-	-
	66	-	-	-	-	-	-	-	-	-	-	70	80	-	-

NOTE: FRAME WIDTHS = FRAME TRIBUTARY WIDTH

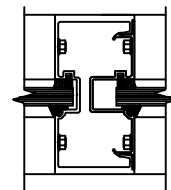
NOTE: SPANS NOT IN THIS TABLE CAN BE ADDED UNDER SITE SPECIFIC ENGINEERING AND SHALL BE APPROVED BY THE AUTHORITY HAVING JURISDICTION (AHJ)



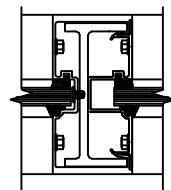
M1
DETAILS
8, 15



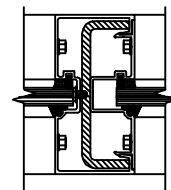
M2
DETAILS
14, 14.1



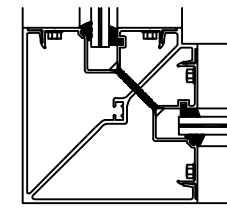
M3
DETAILS
12, 19



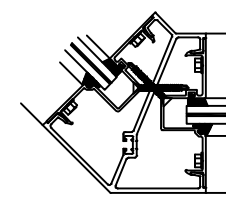
M4
DETAILS
13, 20



M5
DETAILS
10, 17



M6
DETAILS
25, 25.1, 27, 27.1



M7
DETAILS
26, 28, 26.1, 28.1

FRANK BENNARDO, P.E.
PE# 96064 CA-F-11383



08/31/2021

ENGINEERING EXPRESS®
 POSTAL ADDRESS:
 401 W. ATLANTIC AVE. R10 #219
 DELRAY BEACH, FL 33444
 ENGINEERINGEXPRESS.COM

Oldcastle BuildingEnvelope®

803 AIRPORT ROAD
 TERRELL, TX 75160
 Phn. (972) 551-6100
 FG-5700 STORMMAX® STOREFRONT SYSTEM
 WET AND DRY GLAZED

REMARKS	DATE
INIT ISSUE	03/16/21

COPYRIGHT ENGINEERING EXPRESS®

21-38374

SCALE: NTS UNLESS NOTED

OF 34

12

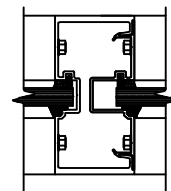
C:\Users\thayer\Engineering_Express\Production - Documents\Projects\21-38374 FG5700 Impact Storefront - CAD\21-38374c FG5700 Impact Storefront - TD.dwg

MULLION LOADING TABLES (P.S.F.)

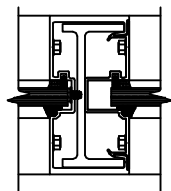
SINGLE SPAN MULLION LOADING CHART		MULLION TYPE M3		MULLION TYPE M4		MULLION TYPE M5		MULLION TYPE M6	
FRAME HEIGHT (in)	FRAME WIDTH (in)	(+) P.S.F	(-) P.S.F	(+) P.S.F	(-) P.S.F	(+) P.S.F	(-) P.S.F	(+) P.S.F	(-) P.S.F
120	24	60	60	60	60	90	90	70	80
	30	60	60	60	60	90	90	70	80
	36	60	60	60	60	87	90	70	80
	42	60	60	60	60	83	90	70	80
	44.75	60	60	60	60	77	90	70	80
	48	60	60	60	60	73	90	70	80
	54	-	-	60	60	70	86	70	80
	60	-	-	-	-	60	80	70	80
126	24	-	-	60	60	90	90	70	80
	30	-	-	60	60	90	90	70	80
	36	-	-	60	60	85	90	70	80
	42	-	-	60	60	80	90	70	80
	44.75	-	-	60	60	75	90	70	80
	48	-	-	60	60	70	87	70	80
	54	-	-	59	59	65	78	70	80
	60	-	-	-	-	-	-	67	77
132	24	-	-	60	60	90	90	70	80
	30	-	-	60	60	89	90	70	80
	36	-	-	60	60	74	90	70	80
	42	-	-	60	60	64	85	70	80
	44.75	-	-	60	60	61	80	70	80
	48	-	-	60	60	57	75	70	80
	54	-	-	-	-	51	68	67	76
	60	-	-	-	-	-	-	61	70

NOTE: FRAME WIDTHS = FRAME TRIBUTARY WIDTH

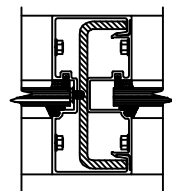
NOTE: SPANS NOT IN THIS TABLE CAN BE ADDED UNDER SITE SPECIFIC ENGINEERING AND SHALL BE APPROVED BY THE AUTHORITY HAVING JURISDICTION (AHJ)



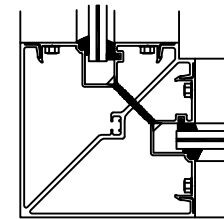
M3
DETAILS
12, 19



M4
DETAILS
13, 20



M5
DETAILS
10, 17



M6
DETAILS
25, 25.1, 27, 27.1

FRANK BENNARDO, P.E.
PE# 96064 CA-F-11383



08/31/2021

ENGINEERING EXPRESS
 POSTAL ADDRESS:
 401 W. ATLANTIC AVE. R10 #219
 DELRAY BEACH, FL 33444
 ENGINEERINGEXPRESS.COM

Oldcastle BuildingEnvelope®

803 AIRPORT ROAD
 TERRELL, TX 75160
 Phn. (972) 551-6100
 FG-5700 STORMMAX® STOREFRONT SYSTEM
 WET AND DRY GLAZED

REMARKS	DRWN	CHKD	DATE
INIT ISSUE	JEM	AJP	03/16/21

COPYRIGHT ENGINEERING EXPRESS®

21-38374

SCALE: NTS UNLESS NOTED

OF 34

13

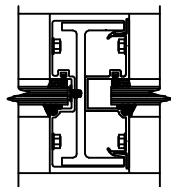
C:\Users\thayer\Engineering_Express\Production - Documents\Projects\21-38374 FG5700 Impact Storefront - CAD\21-38374c FG5700 Impact Storefront - TD.dwg

MULLION LOADING TABLES (P.S.F.)

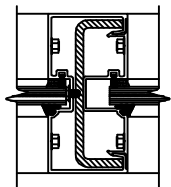
SINGLE SPAN MULLION LOADING CHART		MULLION TYPE		MULLION TYPE		MULLION TYPE	
		M4		M5		M6	
FRAME HEIGHT (in)	FRAME WIDTH (in)	(+) P.S.F	(-) P.S.F	(+) P.S.F	(-) P.S.F	(+) P.S.F	(-) P.S.F
138	24	60	60	90	90	70	80
	30	60	60	81	90	70	80
	36	60	60	68	85	70	80
	42	60	60	59	74	70	80
	44.75	60	60	55	70	70	80
	48	57	57	52	65	68	77
	54	-	-	-	-	61	70
144	24	60	60	90	90	70	80
	30	60	60	74	89	70	80
	36	60	60	62	75	70	80
	42	60	60	54	65	70	80
	44.75	58	58	51	61	66	76
	48	55	55	47	57	62	71
	54	-	-	-	-	56	64

NOTE: FRAME WIDTHS = FRAME TRIBUTARY WIDTH

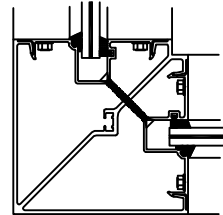
NOTE: SPANS NOT IN THIS TABLE CAN BE ADDED UNDER SITE SPECIFIC ENGINEERING AND SHALL BE APPROVED BY THE AUTHORITY HAVING JURISDICTION (AHJ)



M4
DETAILS
13, 20



M5
DETAILS
10, 17



M6
DETAILS
25, 25.1, 27, 27.1

FRANK BENNARDO, P.E.
PE# 96064 CA.-F-11383



08/31/2021



POSTAL ADDRESS:
401 W. ATLANTIC AVE. R10 #219
DELRAY BEACH, FL 33444
ENGINEERINGEXPRESS.COM

Oldcastle BuildingEnvelope®

803 AIRPORT ROAD
TERRELL, TX 75160
Phn. (972) 551-6100

FG-5700 STORMMAX® STOREFRONT SYSTEM
WET AND DRY GLAZED

REMARKS	DRWN	CHKD	DATE
INIT ISSUE	JEM	AJP	03/16/21

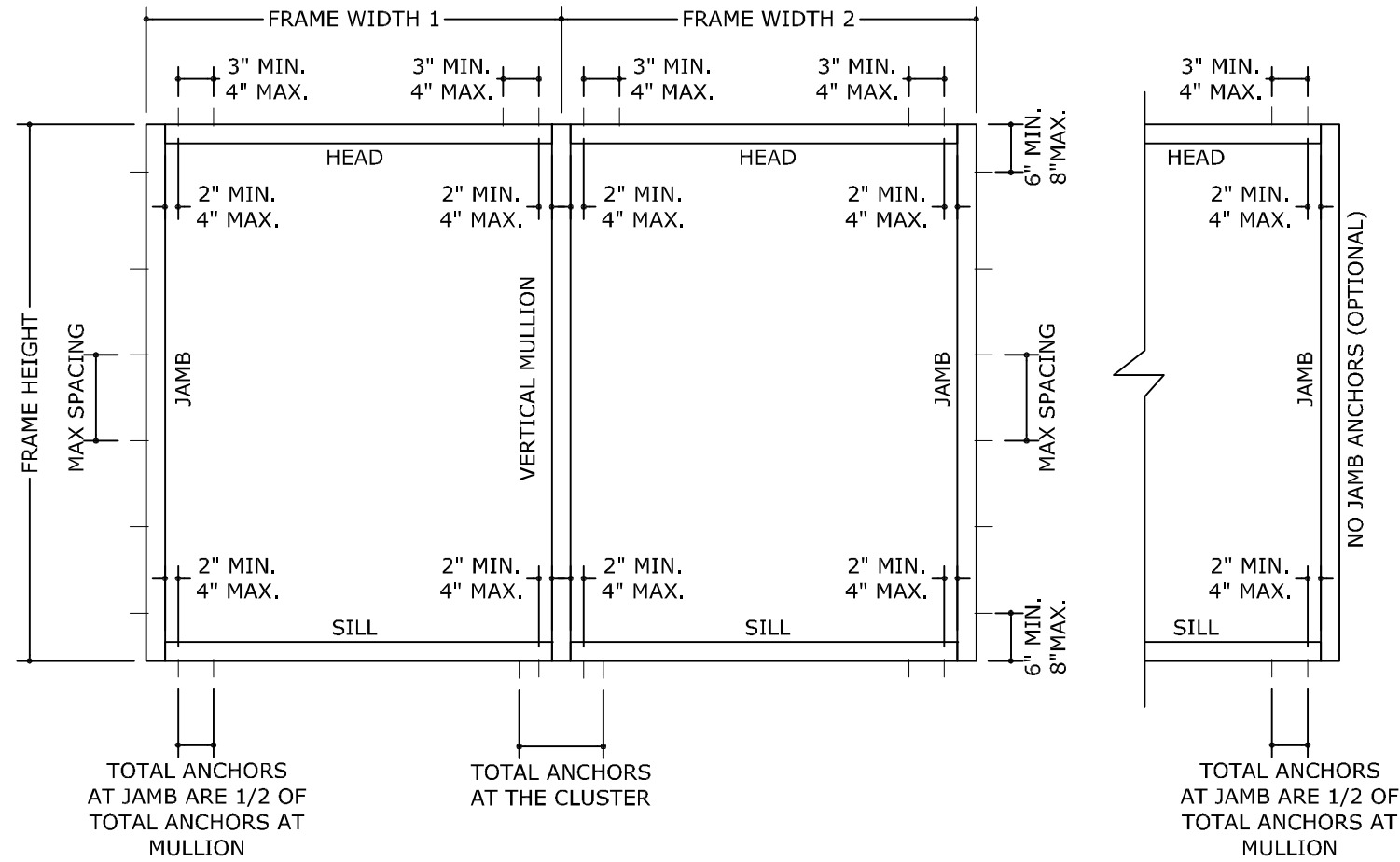
COPYRIGHT ENGINEERING EXPRESS®

21-38374

SCALE: NTS UNLESS NOTED

C:\Users\thayer\Engineering_Express\Production - Documents\Projects\21-38374 FG5700 Impact Storefront - TD.dwg 08/31/2021 - 12:36pm thayer

FASTENER SCHEDULE



FASTENER SCHEDULE							
ANCHOR TYPE	ANCHOR DIAMETER	TYPE	MANUFACTURER	SUBSTRATE	MIN EMBEDMENT (IN)	MIN EDGE DISTANCE (IN)	SPACING (IN)
A	1/4"	ULTRACON+ ANCHOR	DEWALT	POURED CONCRETE 3000 PSI MIN	1-3/4	2-1/2	3" MIN. 4" MAX.
B	1/4"-14	DRIL-FLEX HEX WASHER HEAD SELF DRILLING SCREW	DEWALT	16 GA MIN. STUD ASTM A-653 GRADE 33 STEEL	FULL	1-1/2	3" MIN. 4" MAX.
				1/8" STEEL-A36			
C	1/4"	ULTRACON ANCHOR OR LAG SCREW	DEWALT	2X WOOD BUCK G=0.55	1-1/2	1-1/2	3" MIN. 4" MAX.

FRANK BENNARDO, P.E.
PE# 96064 CA.-F-11383



08/31/2021

ENGINEERING EXPRESS
 POSTAL ADDRESS:
 401 W. ATLANTIC AVE. R10 #219
 DELRAY BEACH, FL 33444
 ENGINEERINGEXPRESS.COM

Oldcastle BuildingEnvelope®

803 AIRPORT ROAD
 TERRELL, TX 75160
 Phn. (972) 551-6100
 FG-5700 STORMMAX® STOREFRONT SYSTEM
 WET AND DRY GLAZED

REMARKS	DATE
INIT ISSUE	03/16/21
DRWN	CHKD
JEM	AJP

COPYRIGHT ENGINEERING EXPRESS®

21-38374

SCALE: NTS UNLESS NOTED

OF 34

15

MAXIMUM ALLOWABLE STRESS DESIGN PRESSURE RATING FOR STANDARD MULLIONS WITH HEAD, SILL AND JAMB CONNECTIONS-ANCHOR TYPE A

FRAME HEIGHT (IN)	TRIBUTARY WIDTH (IN)	TOTAL NUMBER OF ANCHORS AT THE CLUSTER-ANCHOR TYPE A							
		2		4		6		8	
		MAX PRESSURE (PSF)	JAMBS MAX ANCHOR SPACING (IN)	MAX PRESSURE (PSF)	JAMBS MAX ANCHOR SPACING (IN)	MAX PRESSURE (PSF)	JAMBS MAX ANCHOR SPACING (IN)	MAX PRESSURE (PSF)	JAMBS MAX ANCHOR SPACING (IN)
36	24	90	18"O.C.	90	18"O.C.	90	18"O.C.	90	18"O.C.
	36	90	18"O.C.	90	18"O.C.	90	18"O.C.	90	18"O.C.
	48	75	18"O.C.	90	18"O.C.	90	18"O.C.	90	18"O.C.
	60	60	18"O.C.	90	18"O.C.	90	18"O.C.	90	18"O.C.
	72	50	18"O.C.	90	18"O.C.	90	18"O.C.	90	18"O.C.
	78	46	18"O.C.	90	18"O.C.	90	18"O.C.	90	18"O.C.
48	24	90	24"O.C.	90	24"O.C.	90	24"O.C.	90	24"O.C.
	36	75	24"O.C.	90	24"O.C.	90	24"O.C.	90	24"O.C.
	48	56	24"O.C.	90	24"O.C.	90	24"O.C.	90	24"O.C.
	60	45	24"O.C.	90	24"O.C.	90	24"O.C.	90	24"O.C.
	72	37	24"O.C.	75	24"O.C.	90	16"O.C.	90	16"O.C.
	78	34	24"O.C.	69	24"O.C.	90	16"O.C.	90	16"O.C.
60	24	90	30"O.C.	90	30"O.C.	90	30"O.C.	90	30"O.C.
	36	60	30"O.C.	90	30"O.C.	90	30"O.C.	90	30"O.C.
	48	45	30"O.C.	90	30"O.C.	90	30"O.C.	90	30"O.C.
	60	36	30"O.C.	72	30"O.C.	90	20"O.C.	90	20"O.C.
	72	30	30"O.C.	60	30"O.C.	90	20"O.C.	90	20"O.C.
	78	27	30"O.C.	55	30"O.C.	83	20"O.C.	90	15"O.C.
72	24	75	36"O.C.	90	36"O.C.	90	36"O.C.	90	36"O.C.
	36	50	36"O.C.	90	36"O.C.	90	36"O.C.	90	36"O.C.
	48	37	36"O.C.	75	36"O.C.	90	24"O.C.	90	24"O.C.
	60	30	36"O.C.	60	36"O.C.	90	24"O.C.	90	24"O.C.
	72	25	36"O.C.	50	36"O.C.	75	24"O.C.	90	18"O.C.
	78	23	36"O.C.	46	36"O.C.	69	24"O.C.	90	18"O.C.

FRANK BENNARDO, P.E.
PE# 96064 CA-F-11383



08/31/2021

ENGINEERING EXPRESS®
 POSTAL ADDRESS:
 401 W. ATLANTIC AVE. R10 #219
 DELRAY BEACH, FL 33444
 ENGINEERINGEXPRESS.COM

Oldcastle BuildingEnvelope®

803 AIRPORT ROAD
 TERRELL, TX 75160
 Phn. (972) 551-6100

FG-5700 STORMMAX® STOREFRONT SYSTEM
 WET AND DRY GLAZED

REMARKS	DRWN	CHKD	DATE
INIT ISSUE	JEM	AJP	03/16/21

COPYRIGHT ENGINEERING EXPRESS®

21-38374

SCALE: NTS UNLESS NOTED

16

OF 34

MAXIMUM ALLOWABLE STRESS DESIGN PRESSURE RATING FOR STANDARD MULLIONS WITH HEAD, SILL AND JAMB CONNECTIONS-ANCHOR TYPE A

FRAME HEIGHT (IN)	TRIBUTARY WIDTH (IN)	TOTAL NUMBER OF ANCHORS AT THE CLUSTER-ANCHOR TYPE A													
		2		4		6		8		10		12		16	
		MAX PRESSURE (PSF)	JAMBS MAX ANCHOR SPACING (IN)	MAX PRESSURE (PSF)	JAMBS MAX ANCHOR SPACING (IN)	MAX PRESSURE (PSF)	JAMBS MAX ANCHOR SPACING (IN)	MAX PRESSURE (PSF)	JAMBS MAX ANCHOR SPACING (IN)	MAX PRESSURE (PSF)	JAMBS MAX ANCHOR SPACING (IN)	MAX PRESSURE (PSF)	JAMBS MAX ANCHOR SPACING (IN)	MAX PRESSURE (PSF)	JAMBS MAX ANCHOR SPACING (IN)
84	24	64	42"O.C.	90	42"O.C.	90	42"O.C.	90	42"O.C.	90	42"O.C.	90	42"O.C.	90	42"O.C.
	36	42	42"O.C.	85	42"O.C.	90	28"O.C.	90	28"O.C.	90	28"O.C.	90	28"O.C.	90	28"O.C.
	48	32	42"O.C.	64	42"O.C.	90	28"O.C.	90	28"O.C.	90	28"O.C.	90	28"O.C.	90	28"O.C.
	60	25	42"O.C.	51	42"O.C.	77	28"O.C.	90	21"O.C.	90	21"O.C.	90	21"O.C.	90	21"O.C.
	72	21	42"O.C.	42	42"O.C.	64	28"O.C.	85	21"O.C.	90	17"O.C.	90	17"O.C.	90	17"O.C.
	78	19	42"O.C.	39	42"O.C.	59	28"O.C.	79	21"O.C.	90	17"O.C.	90	17"O.C.	90	17"O.C.
96	24	56	48"O.C.	90	48"O.C.	90	48"O.C.	90	48"O.C.	90	48"O.C.	90	48"O.C.	90	48"O.C.
	36	37	48"O.C.	75	48"O.C.	90	32"O.C.	90	32"O.C.	90	32"O.C.	90	32"O.C.	90	32"O.C.
	48	28	48"O.C.	56	48"O.C.	84	32"O.C.	90	24"O.C.	90	24"O.C.	90	24"O.C.	90	24"O.C.
	60	22	48"O.C.	45	48"O.C.	67	32"O.C.	90	24"O.C.	90	24"O.C.	90	24"O.C.	90	24"O.C.
	72	18	48"O.C.	37	48"O.C.	56	32"O.C.	75	24"O.C.	90	19"O.C.	90	19"O.C.	90	19"O.C.
	78	17	48"O.C.	34	48"O.C.	51	32"O.C.	69	24"O.C.	86	19"O.C.	90	16"O.C.	90	16"O.C.
108	24	50	54"O.C.	90	54"O.C.	90	54"O.C.	90	54"O.C.	90	54"O.C.	90	54"O.C.	90	54"O.C.
	36	33	54"O.C.	66	54"O.C.	90	36"O.C.	90	36"O.C.	90	36"O.C.	90	36"O.C.	90	36"O.C.
	48	25	54"O.C.	50	54"O.C.	75	36"O.C.	90	27"O.C.	90	27"O.C.	90	27"O.C.	90	27"O.C.
	60	20	54"O.C.	40	54"O.C.	60	36"O.C.	80	27"O.C.	90	22"O.C.	90	22"O.C.	90	22"O.C.
	72	16	54"O.C.	33	54"O.C.	50	36"O.C.	66	27"O.C.	83	22"O.C.	90	18"O.C.	90	18"O.C.
	78	15	54"O.C.	30	54"O.C.	46	36"O.C.	61	27"O.C.	76	22"O.C.	90	18"O.C.	90	18"O.C.
120	24	45	60"O.C.	90	60"O.C.	90	60"O.C.	90	60"O.C.	90	60"O.C.	90	60"O.C.	90	60"O.C.
	36	30	60"O.C.	60	60"O.C.	90	40"O.C.	90	40"O.C.	90	40"O.C.	90	40"O.C.	90	40"O.C.
	48	22	60"O.C.	45	60"O.C.	67	40"O.C.	90	30"O.C.	90	30"O.C.	90	30"O.C.	90	30"O.C.
	60	18	60"O.C.	36	60"O.C.	54	40"O.C.	72	30"O.C.	90	24"O.C.	90	24"O.C.	90	24"O.C.
	72	15	60"O.C.	30	60"O.C.	45	40"O.C.	60	30"O.C.	75	24"O.C.	90	20"O.C.	90	20"O.C.
	78	13	60"O.C.	27	60"O.C.	41	40"O.C.	55	30"O.C.	69	24"O.C.	83	20"O.C.	90	17"O.C.

FRANK BENNARDO, P.E.
PE# 96064 CA-F-11383



08/31/2021

ENGINEERING EXPRESS
 POSTAL ADDRESS:
 401 W. ATLANTIC AVE. R10 #219
 DELRAY BEACH, FL 33444
 ENGINEERINGEXPRESS.COM

Oldcastle BuildingEnvelope®
 803 AIRPORT ROAD
 TERRELL, TX 75160
 Phn. (972) 551-6100
 FG-5700 STORMMAX® STOREFRONT SYSTEM
 WET AND DRY GLAZED

REMARKS	DATE
INIT ISSUE	03/16/21

COPYRIGHT ENGINEERING EXPRESS®
 21-38374
 SCALE: NTS UNLESS NOTED

C:\Users\thayer\Engineering_Express\Production - Documents\Projects\21-38374 FG5700 Impact Storefront - OBE\WorkDrawings & CAD\21-38374c FG5700 Impact Storefront - TD1.dwg 08/31/2021 - 12:37pm thayer

C:\Users\thayer\Engineering_Express\Production - Documents\Projects\21-38374 FG5700 Impact Storefront - TD1.dwg 08/31/2021 - 12:37pm thayer

MAXIMUM ALLOWABLE STRESS DESIGN PRESSURE RATING FOR STANDARD MULLIONS WITH HEAD, SILL AND JAMB CONNECTIONS-ANCHOR TYPE A

FRAME HEIGHT (IN)	TRIBUTARY WIDTH (IN)	TOTAL NUMBER OF ANCHORS AT THE CLUSTER-ANCHOR TYPE A													
		2		4		6		8		10		12		16	
		MAX PRESSURE (PSF)	JAMBS MAX ANCHOR SPACING (IN)	MAX PRESSURE (PSF)	JAMBS MAX ANCHOR SPACING (IN)	MAX PRESSURE (PSF)	JAMBS MAX ANCHOR SPACING (IN)	MAX PRESSURE (PSF)	JAMBS MAX ANCHOR SPACING (IN)	MAX PRESSURE (PSF)	JAMBS MAX ANCHOR SPACING (IN)	MAX PRESSURE (PSF)	JAMBS MAX ANCHOR SPACING (IN)	MAX PRESSURE (PSF)	JAMBS MAX ANCHOR SPACING (IN)
132	24	40	66"O.C.	81	66"O.C.	90	44"O.C.	90	44"O.C.	90	44"O.C.	90	44"O.C.	90	44"O.C.
	36	27	66"O.C.	54	66"O.C.	81	44"O.C.	90	33"O.C.	90	33"O.C.	90	33"O.C.	90	33"O.C.
	48	20	66"O.C.	40	66"O.C.	61	44"O.C.	81	33"O.C.	90	26"O.C.	90	26"O.C.	90	26"O.C.
	60	16	66"O.C.	32	66"O.C.	49	44"O.C.	65	33"O.C.	81	26"O.C.	90	22"O.C.	90	22"O.C.
	72	13	66"O.C.	27	66"O.C.	40	44"O.C.	54	33"O.C.	68	26"O.C.	81	22"O.C.	90	19"O.C.
	78	12	66"O.C.	25	66"O.C.	37	44"O.C.	50	33"O.C.	62	26"O.C.	75	22"O.C.	90	17"O.C.
144	24	37	72"O.C.	75	72"O.C.	90	48"O.C.	90	48"O.C.	90	48"O.C.	90	48"O.C.	90	48"O.C.
	36	25	72"O.C.	50	72"O.C.	75	48"O.C.	90	36"O.C.	90	36"O.C.	90	36"O.C.	90	36"O.C.
	48	18	72"O.C.	37	72"O.C.	56	48"O.C.	75	36"O.C.	90	29"O.C.	90	29"O.C.	90	29"O.C.
	60	15	72"O.C.	30	72"O.C.	45	48"O.C.	60	36"O.C.	75	29"O.C.	90	24"O.C.	90	24"O.C.
	72	12	72"O.C.	25	72"O.C.	37	48"O.C.	50	36"O.C.	62	29"O.C.	75	24"O.C.	90	18"O.C.
	78	11	72"O.C.	23	72"O.C.	34	48"O.C.	46	36"O.C.	57	29"O.C.	69	24"O.C.	90	18"O.C.

FRANK BENNARDO, P.E.
PE# 96064 CA-F-11383



08/31/2021

ENGINEERING EXPRESS
 POSTAL ADDRESS:
 401 W. ATLANTIC AVE. R10 #219
 DELRAY BEACH, FL 33444
 ENGINEERINGEXPRESS.COM

Oldcastle BuildingEnvelope®
 803 AIRPORT ROAD
 TERRELL, TX 75160
 Phn. (972) 551-6100
 FG-5700 STORMMAX® STOREFRONT SYSTEM
 WET AND DRY GLAZED

REMARKS	DRWN	CHKD	DATE
INIT ISSUE	JEM	AJP	03/16/21

COPYRIGHT ENGINEERING EXPRESS®

21-38374

SCALE: NTS UNLESS NOTED

18 OF 34

MAXIMUM ALLOWABLE STRESS DESIGN PRESSURE RATING FOR STANDARD MULLIONS WITH HEAD, SILL AND JAMB CONNECTIONS-ANCHOR TYPE B

FRAME HEIGHT (IN)	TRIBUTARY WIDTH (IN)	TOTAL NUMBER OF ANCHORS AT THE CLUSTER-ANCHOR TYPE B			
		2		4	
		MAX PRESSURE (PSF)	JAMBS MAX ANCHOR SPACING (IN)	MAX PRESSURE (PSF)	JAMBS MAX ANCHOR SPACING (IN)
36	24	90	18" O.C.	90	18" O.C.
	36	90	18" O.C.	90	18" O.C.
	48	90	18" O.C.	90	18" O.C.
	60	90	18" O.C.	90	18" O.C.
	72	90	18" O.C.	90	18" O.C.
	78	90	18" O.C.	90	18" O.C.
48	24	90	24" O.C.	90	24" O.C.
	36	90	24" O.C.	90	24" O.C.
	48	90	24" O.C.	90	24" O.C.
	60	90	24" O.C.	90	24" O.C.
	72	83	24" O.C.	90	24" O.C.
	78	76	24" O.C.	90	24" O.C.
60	24	90	30" O.C.	90	30" O.C.
	36	90	30" O.C.	90	30" O.C.
	48	90	30" O.C.	90	30" O.C.
	60	80	30" O.C.	90	30" O.C.
	72	66	30" O.C.	90	30" O.C.
	78	61	30" O.C.	90	30" O.C.
72	24	90	36" O.C.	90	36" O.C.
	36	90	36" O.C.	90	36" O.C.
	48	83	36" O.C.	90	36" O.C.
	60	66	36" O.C.	90	36" O.C.
	72	55	36" O.C.	90	36" O.C.
	78	51	36" O.C.	90	36" O.C.

FRANK BENNARDO, P.E.
PE# 96064 CA-F-11383



08/31/2021

ENGINEERING EXPRESS®
 POSTAL ADDRESS:
 401 W. ATLANTIC AVE. R10 #219
 DELRAY BEACH, FL 33444
 ENGINEERINGEXPRESS.COM

Oldcastle BuildingEnvelope®

803 AIRPORT ROAD
 TERRELL, TX 75160
 Phn. (972) 551-6100

FG-5700 STORMMAX® STOREFRONT SYSTEM
 WET AND DRY GLAZED

REMARKS	DRWN	CHKD	DATE
INIT ISSUE	JEM	AJP	03/16/21

COPYRIGHT ENGINEERING EXPRESS®

21-38374

SCALE: NTS UNLESS NOTED

C:\Users\thayer\Engineering_Express\Production - Documents\Projects\21-38374 FG5700 Impact Storefront - OBE\WorkDrawings & CAD\21-38374c FG5700 Impact Storefront - TD.dwg

08/31/2021 - 12:37pm thayer

MAXIMUM ALLOWABLE STRESS DESIGN PRESSURE RATING FOR STANDARD MULLIONS WITH HEAD, SILL AND JAMB CONNECTIONS-ANCHOR TYPE B

FRAME HEIGHT (IN)	TRIBUTARY WIDTH (IN)	TOTAL NUMBER OF ANCHORS AT THE CLUSTER-ANCHOR TYPE B					
		2		4		6	
		MAX PRESSURE (PSF)	JAMBS MAX ANCHOR SPACING (IN)	MAX PRESSURE (PSF)	JAMBS MAX ANCHOR SPACING (IN)	MAX PRESSURE (PSF)	JAMBS MAX ANCHOR SPACING (IN)
84	24	90	42"O.C.	90	42"O.C.	90	42"O.C.
	36	90	42"O.C.	90	42"O.C.	90	42"O.C.
	48	71	42"O.C.	90	42"O.C.	90	42"O.C.
	60	57	42"O.C.	90	42"O.C.	90	42"O.C.
	72	47	42"O.C.	90	42"O.C.	90	42"O.C.
	78	43	42"O.C.	87	42"O.C.	90	28"O.C.
96	24	90	48"O.C.	90	48"O.C.	90	48"O.C.
	36	83	48"O.C.	90	48"O.C.	90	48"O.C.
	48	62	48"O.C.	90	48"O.C.	90	48"O.C.
	60	50	48"O.C.	90	48"O.C.	90	48"O.C.
	72	41	48"O.C.	83	48"O.C.	90	32"O.C.
	78	38	48"O.C.	76	48"O.C.	90	32"O.C.
108	24	90	54"O.C.	90	54"O.C.	90	54"O.C.
	36	74	54"O.C.	90	54"O.C.	90	54"O.C.
	48	55	54"O.C.	90	54"O.C.	90	54"O.C.
	60	44	54"O.C.	88	54"O.C.	90	36"O.C.
	72	37	54"O.C.	74	54"O.C.	90	36"O.C.
	78	34	54"O.C.	68	54"O.C.	90	36"O.C.
120	24	90	60"O.C.	90	60"O.C.	90	60"O.C.
	36	66	60"O.C.	90	60"O.C.	90	60"O.C.
	48	50	60"O.C.	90	60"O.C.	90	60"O.C.
	60	40	60"O.C.	80	60"O.C.	90	40"O.C.
	72	33	60"O.C.	66	60"O.C.	90	40"O.C.
	78	30	60"O.C.	61	60"O.C.	90	40"O.C.

FRANK BENNARDO, P.E.
PE# 96064 CA-F-11383



08/31/2021

ENGINEERING EXPRESS®
 POSTAL ADDRESS:
 401 W. ATLANTIC AVE. R10 #219
 DELRAY BEACH, FL 33444
 ENGINEERINGEXPRESS.COM

Oldcastle BuildingEnvelope®

803 AIRPORT ROAD
 TERRELL, TX 75160
 Phn. (972) 551-6100

FG-5700 STORMMAX® STOREFRONT SYSTEM
 WET AND DRY GLAZED

REMARKS	DRWN	CHKD	DATE
INIT ISSUE	JEM	AJP	03/16/21

COPYRIGHT ENGINEERING EXPRESS®

21-38374

SCALE: NTS UNLESS NOTED

C:\Users\thayer\Engineering_Express\Production - Documents\Projects\21-38374 FG5700 Impact Storefront - CAD\21-38374c FG5700 Impact Storefront - TD.dwg

MAXIMUM ALLOWABLE STRESS DESIGN PRESSURE RATING FOR STANDARD MULLIONS WITH HEAD, SILL AND JAMB CONNECTIONS-ANCHOR TYPE B

FRAME HEIGHT (IN)	TRIBUTARY WIDTH (IN)	TOTAL NUMBER OF ANCHORS AT THE CLUSTER-ANCHOR TYPE B							
		2		4		6		8	
		MAX PRESSURE (PSF)	JAMBS MAX ANCHOR SPACING (IN)	MAX PRESSURE (PSF)	JAMBS MAX ANCHOR SPACING (IN)	MAX PRESSURE (PSF)	JAMBS MAX ANCHOR SPACING (IN)	MAX PRESSURE (PSF)	JAMBS MAX ANCHOR SPACING (IN)
132	24	90	66"O.C.	90	66"O.C.	90	66"O.C.	90	66"O.C.
	36	60	66"O.C.	90	66"O.C.	90	66"O.C.	90	66"O.C.
	48	45	66"O.C.	90	66"O.C.	90	66"O.C.	90	66"O.C.
	60	36	66"O.C.	72	66"O.C.	90	44"O.C.	90	44"O.C.
	72	30	66"O.C.	60	66"O.C.	90	44"O.C.	90	44"O.C.
	78	27	66"O.C.	55	66"O.C.	83	44"O.C.	90	33"O.C.
144	24	83	72"O.C.	90	72"O.C.	90	72"O.C.	90	72"O.C.
	36	55	72"O.C.	90	72"O.C.	90	72"O.C.	90	72"O.C.
	48	41	72"O.C.	83	72"O.C.	90	48"O.C.	90	48"O.C.
	60	33	72"O.C.	66	72"O.C.	90	48"O.C.	90	48"O.C.
	72	27	72"O.C.	55	72"O.C.	83	48"O.C.	90	36"O.C.
	78	25	72"O.C.	51	72"O.C.	76	48"O.C.	90	36"O.C.

FRANK BENNARDO, P.E.
PE# 96064 CA-F-11383



08/31/2021

ENGINEERING EXPRESS®
 POSTAL ADDRESS:
 401 W. ATLANTIC AVE. R10 #219
 DELRAY BEACH, FL 33444
 ENGINEERINGEXPRESS.COM

Oldcastle BuildingEnvelope®
 803 AIRPORT ROAD
 TERRELL, TX 75160
 Phn. (972) 551-6100
 FG-5700 STORMMAX® STOREFRONT SYSTEM
 WET AND DRY GLAZED

REMARKS	DRWN	CHKD	DATE
INIT ISSUE	JEM	AJP	03/16/21

COPYRIGHT ENGINEERING EXPRESS®

21-38374

SCALE: NTS UNLESS NOTED

C:\Users\thayer\Engineering_Express\Production - Documents\Projects\21-38374 FG5700 Impact Storefront - CAD\21-38374c FG5700 Impact Storefront - TD.dwg 08/31/2021 - 12:37pm thayer

MAXIMUM ALLOWABLE STRESS DESIGN PRESSURE RATING FOR STANDARD MULLIONS WITH HEAD, SILL AND JAMB CONNECTIONS-ANCHOR TYPE C

FRAME HEIGHT (IN)	TRIBUTARY WIDTH (IN)	TOTAL NUMBER OF ANCHORS AT THE CLUSTER-ANCHOR TYPE C											
		2		4		6		8		10		12	
		MAX PRESSURE (PSF)	JAMBS MAX ANCHOR SPACING (IN)	MAX PRESSURE (PSF)	JAMBS MAX ANCHOR SPACING (IN)	MAX PRESSURE (PSF)	JAMBS MAX ANCHOR SPACING (IN)	MAX PRESSURE (PSF)	JAMBS MAX ANCHOR SPACING (IN)	MAX PRESSURE (PSF)	JAMBS MAX ANCHOR SPACING (IN)	MAX PRESSURE (PSF)	JAMBS MAX ANCHOR SPACING (IN)
36	24	90	18"O.C.	90	18"O.C.	90	18"O.C.	90	18"O.C.	90	18"O.C.	90	18"O.C.
	36	75	18"O.C.	90	18"O.C.	90	18"O.C.	90	18"O.C.	90	18"O.C.	90	18"O.C.
	48	56	18"O.C.	90	18"O.C.	90	18"O.C.	90	18"O.C.	90	18"O.C.	90	18"O.C.
	60	45	18"O.C.	90	18"O.C.	90	18"O.C.	90	18"O.C.	90	18"O.C.	90	18"O.C.
	72	37	18"O.C.	75	18"O.C.	90	12"O.C.	90	12"O.C.	90	12"O.C.	90	12"O.C.
	78	34	18"O.C.	69	18"O.C.	90	12"O.C.	90	12"O.C.	90	12"O.C.	90	12"O.C.
48	24	85	24"O.C.	90	24"O.C.	90	24"O.C.	90	24"O.C.	90	24"O.C.	90	24"O.C.
	36	56	24"O.C.	90	24"O.C.	90	24"O.C.	90	24"O.C.	90	24"O.C.	90	24"O.C.
	48	42	24"O.C.	85	24"O.C.	90	16"O.C.	90	16"O.C.	90	16"O.C.	90	16"O.C.
	60	34	24"O.C.	68	24"O.C.	90	16"O.C.	90	16"O.C.	90	16"O.C.	90	16"O.C.
	72	28	24"O.C.	56	24"O.C.	85	16"O.C.	90	12"O.C.	90	12"O.C.	90	12"O.C.
	78	26	24"O.C.	52	24"O.C.	78	16"O.C.	90	12"O.C.	90	12"O.C.	90	12"O.C.
60	24	68	30"O.C.	90	30"O.C.	90	30"O.C.	90	30"O.C.	90	30"O.C.	90	30"O.C.
	36	45	30"O.C.	90	30"O.C.	90	30"O.C.	90	30"O.C.	90	30"O.C.	90	30"O.C.
	48	34	30"O.C.	68	30"O.C.	90	20"O.C.	90	20"O.C.	90	20"O.C.	90	20"O.C.
	60	27	30"O.C.	54	30"O.C.	81	20"O.C.	90	15"O.C.	90	15"O.C.	90	15"O.C.
	72	22	30"O.C.	45	30"O.C.	68	20"O.C.	90	15"O.C.	90	15"O.C.	90	15"O.C.
	78	20	30"O.C.	41	30"O.C.	62	20"O.C.	83	15"O.C.	90	12"O.C.	90	12"O.C.
72	24	56	36"O.C.	90	36"O.C.	90	36"O.C.	90	36"O.C.	90	36"O.C.	90	36"O.C.
	36	37	36"O.C.	75	36"O.C.	90	24"O.C.	90	24"O.C.	90	24"O.C.	90	24"O.C.
	48	28	36"O.C.	56	36"O.C.	85	24"O.C.	90	18"O.C.	90	18"O.C.	90	18"O.C.
	60	22	36"O.C.	45	36"O.C.	68	24"O.C.	90	18"O.C.	90	18"O.C.	90	18"O.C.
	72	18	36"O.C.	37	36"O.C.	56	24"O.C.	75	18"O.C.	90	14"O.C.	90	14"O.C.
	78	17	36"O.C.	34	36"O.C.	52	24"O.C.	69	18"O.C.	87	14"O.C.	90	12"O.C.

FRANK BENNARDO, P.E.
PE# 96064 CA-F-11383



08/31/2021

ENGINEERING EXPRESS
 POSTAL ADDRESS:
 401 W. ATLANTIC AVE. R10 #219
 DELRAY BEACH, FL 33444
 ENGINEERINGEXPRESS.COM

Oldcastle BuildingEnvelope®
 803 AIRPORT ROAD
 TERRELL, TX 75160
 Phn. (972) 551-6100
 FG-5700 STORMMAX® STOREFRONT SYSTEM
 WET AND DRY GLAZED

REMARKS	DRWN	CHKD	DATE
INIT ISSUE	JEM	AJP	03/16/21

COPYRIGHT ENGINEERING EXPRESS®
 21-38374

SCALE: NTS UNLESS NOTED

OF 34
 22

C:\Users\thayer\Engineering\Express\Production - Documents\Projects\21-38374 FG5700 Impact Storefront - OBE\WorkDrawings & CAD\21-38374c FG5700 Impact Storefront - TD.dwg 08/31/2021 - 12:37pm thayer

MAXIMUM ALLOWABLE STRESS DESIGN PRESSURE RATING FOR STANDARD MULLIONS WITH HEAD, SILL AND JAMB CONNECTIONS-ANCHOR TYPE C

FRAME HEIGHT (IN)	TRIBUTARY WIDTH (IN)	TOTAL NUMBER OF ANCHORS AT THE CLUSTER-ANCHOR TYPE C													
		2		4		6		8		10		12		16	
		MAX PRESSURE (PSF)	JAMBS MAX ANCHOR SPACING (IN)	MAX PRESSURE (PSF)	JAMBS MAX ANCHOR SPACING (IN)	MAX PRESSURE (PSF)	JAMBS MAX ANCHOR SPACING (IN)	MAX PRESSURE (PSF)	JAMBS MAX ANCHOR SPACING (IN)	MAX PRESSURE (PSF)	JAMBS MAX ANCHOR SPACING (IN)	MAX PRESSURE (PSF)	JAMBS MAX ANCHOR SPACING (IN)	MAX PRESSURE (PSF)	JAMBS MAX ANCHOR SPACING (IN)
84	24	48	42"O.C.	90	42"O.C.	90	42"O.C.	90	42"O.C.	90	42"O.C.	90	42"O.C.	90	42"O.C.
	36	32	42"O.C.	64	42"O.C.	90	28"O.C.	90	28"O.C.	90	28"O.C.	90	28"O.C.	90	28"O.C.
	48	24	42"O.C.	48	42"O.C.	72	28"O.C.	90	21"O.C.	90	21"O.C.	90	21"O.C.	90	21"O.C.
	60	19	42"O.C.	38	42"O.C.	58	28"O.C.	77	21"O.C.	90	17"O.C.	90	17"O.C.	90	17"O.C.
	72	16	42"O.C.	32	42"O.C.	48	28"O.C.	64	21"O.C.	80	17"O.C.	90	14"O.C.	90	14"O.C.
	78	14	42"O.C.	29	42"O.C.	44	28"O.C.	59	21"O.C.	74	17"O.C.	89	14"O.C.	90	12"O.C.
96	24	42	48"O.C.	85	48"O.C.	90	32"O.C.	90	32"O.C.	90	32"O.C.	90	32"O.C.	90	32"O.C.
	36	28	48"O.C.	56	48"O.C.	85	32"O.C.	90	24"O.C.	90	24"O.C.	90	24"O.C.	90	24"O.C.
	48	21	48"O.C.	42	48"O.C.	63	32"O.C.	85	24"O.C.	90	19"O.C.	90	19"O.C.	90	19"O.C.
	60	17	48"O.C.	34	48"O.C.	51	32"O.C.	68	24"O.C.	85	19"O.C.	90	16"O.C.	90	16"O.C.
	72	14	48"O.C.	28	48"O.C.	42	32"O.C.	56	24"O.C.	70	19"O.C.	85	16"O.C.	90	14"O.C.
	78	13	48"O.C.	26	48"O.C.	39	32"O.C.	52	24"O.C.	65	19"O.C.	78	16"O.C.	90	14"O.C.
108	24	37	54"O.C.	75	54"O.C.	90	36"O.C.	90	36"O.C.	90	36"O.C.	90	36"O.C.	90	36"O.C.
	36	25	54"O.C.	50	54"O.C.	75	36"O.C.	90	27"O.C.	90	27"O.C.	90	27"O.C.	90	27"O.C.
	48	18	54"O.C.	37	54"O.C.	56	36"O.C.	75	27"O.C.	90	22"O.C.	90	22"O.C.	90	22"O.C.
	60	15	54"O.C.	30	54"O.C.	45	36"O.C.	60	27"O.C.	75	22"O.C.	90	18"O.C.	90	18"O.C.
	72	12	54"O.C.	25	54"O.C.	37	36"O.C.	50	27"O.C.	62	22"O.C.	75	18"O.C.	90	14"O.C.
	78	11	54"O.C.	23	54"O.C.	34	36"O.C.	46	27"O.C.	58	22"O.C.	69	18"O.C.	90	14"O.C.
120	24	34	60"O.C.	68	60"O.C.	90	40"O.C.	90	40"O.C.	90	40"O.C.	90	40"O.C.	90	40"O.C.
	36	22	60"O.C.	45	60"O.C.	68	40"O.C.	90	30"O.C.	90	30"O.C.	90	30"O.C.	90	30"O.C.
	48	17	60"O.C.	34	60"O.C.	51	40"O.C.	68	30"O.C.	85	24"O.C.	90	20"O.C.	90	20"O.C.
	60	13	60"O.C.	27	60"O.C.	40	40"O.C.	54	30"O.C.	68	24"O.C.	81	20"O.C.	90	17"O.C.
	72	11	60"O.C.	22	60"O.C.	34	40"O.C.	45	30"O.C.	56	24"O.C.	68	20"O.C.	90	15"O.C.
	78	10	60"O.C.	20	60"O.C.	31	40"O.C.	41	30"O.C.	52	24"O.C.	62	20"O.C.	83	15"O.C.

FRANK BENNARDO, P.E.
PE# 96064 CA-F-11383



08/31/2021

ENGINEERING EXPRESS
 POSTAL ADDRESS:
 401 W. ATLANTIC AVE. R10 #219
 DELRAY BEACH, FL 33444
 ENGINEERINGEXPRESS.COM

Oldcastle BuildingEnvelope®
 803 AIRPORT ROAD
 TERRELL, TX 75160
 Phn. (972) 551-6100
 FG-5700 STORMMAX® STOREFRONT SYSTEM
 WET AND DRY GLAZED

REMARKS	DRWN	CHKD	DATE
INIT ISSUE	JEM	AJP	03/16/21

COPYRIGHT ENGINEERING EXPRESS®
 21-38374
 SCALE: NTS UNLESS NOTED
 OF 34
23

C:\Users\thayer\Engineering_Express\Production - Documents\Projects\21-38374 FG5700 Impact Storefront - CAD\21-38374c FG5700 Impact Storefront - TD1.dwg

MAXIMUM ALLOWABLE STRESS DESIGN PRESSURE RATING FOR STANDARD MULLIONS WITH HEAD, SILL AND JAMB CONNECTIONS-ANCHOR TYPE C

FRAME HEIGHT (IN)	TRIBUTARY WIDTH (IN)	TOTAL NUMBER OF ANCHORS AT THE CLUSTER-ANCHOR TYPE C													
		2		4		6		8		10		12		16	
		MAX PRESSURE (PSF)	JAMBS MAX ANCHOR SPACING (IN)	MAX PRESSURE (PSF)	JAMBS MAX ANCHOR SPACING (IN)	MAX PRESSURE (PSF)	JAMBS MAX ANCHOR SPACING (IN)	MAX PRESSURE (PSF)	JAMBS MAX ANCHOR SPACING (IN)	MAX PRESSURE (PSF)	JAMBS MAX ANCHOR SPACING (IN)	MAX PRESSURE (PSF)	JAMBS MAX ANCHOR SPACING (IN)	MAX PRESSURE (PSF)	JAMBS MAX ANCHOR SPACING (IN)
132	24	30	66"O.C.	61	66"O.C.	90	44"O.C.	90	44"O.C.	90	44"O.C.	90	44"O.C.	90	44"O.C.
	36	20	66"O.C.	41	66"O.C.	61	44"O.C.	82	33"O.C.	90	26"O.C.	90	26"O.C.	90	26"O.C.
	48	15	66"O.C.	30	66"O.C.	46	44"O.C.	61	33"O.C.	77	26"O.C.	90	22"O.C.	90	22"O.C.
	60	12	66"O.C.	24	66"O.C.	37	44"O.C.	49	33"O.C.	61	26"O.C.	74	22"O.C.	90	17"O.C.
	72	10	66"O.C.	20	66"O.C.	30	44"O.C.	41	33"O.C.	51	26"O.C.	61	22"O.C.	82	17"O.C.
	78	9	66"O.C.	19	66"O.C.	28	44"O.C.	38	33"O.C.	47	26"O.C.	57	22"O.C.	76	17"O.C.
144	24	28	72"O.C.	56	72"O.C.	85	48"O.C.	90	36"O.C.	90	36"O.C.	90	36"O.C.	90	36"O.C.
	36	18	72"O.C.	37	72"O.C.	56	48"O.C.	75	36"O.C.	90	29"O.C.	90	29"O.C.	90	29"O.C.
	48	14	72"O.C.	28	72"O.C.	42	48"O.C.	56	36"O.C.	70	29"O.C.	85	24"O.C.	90	21"O.C.
	60	11	72"O.C.	22	72"O.C.	34	48"O.C.	45	36"O.C.	56	29"O.C.	68	24"O.C.	90	18"O.C.
	72	9	72"O.C.	18	72"O.C.	28	48"O.C.	37	36"O.C.	47	29"O.C.	56	24"O.C.	75	18"O.C.
	78	8	72"O.C.	17	72"O.C.	26	48"O.C.	34	36"O.C.	43	29"O.C.	52	24"O.C.	69	18"O.C.

FRANK BENNARDO, P.E.
PE# 96064 CA-F-11383



08/31/2021

ENGINEERING EXPRESS
 POSTAL ADDRESS:
 401 W. ATLANTIC AVE. R10 #219
 DELRAY BEACH, FL 33444
 ENGINEERINGEXPRESS.COM

Oldcastle BuildingEnvelope®
 803 AIRPORT ROAD
 TERRELL, TX 75160
 Phn. (972) 551-6100
 FG-5700 STORMMAX® STOREFRONT SYSTEM
 WET AND DRY GLAZED

REMARKS	DRWN	CHKD	DATE
INIT ISSUE	JEM	AJP	03/16/21

COPYRIGHT ENGINEERING EXPRESS®

21-38374

SCALE: NTS UNLESS NOTED

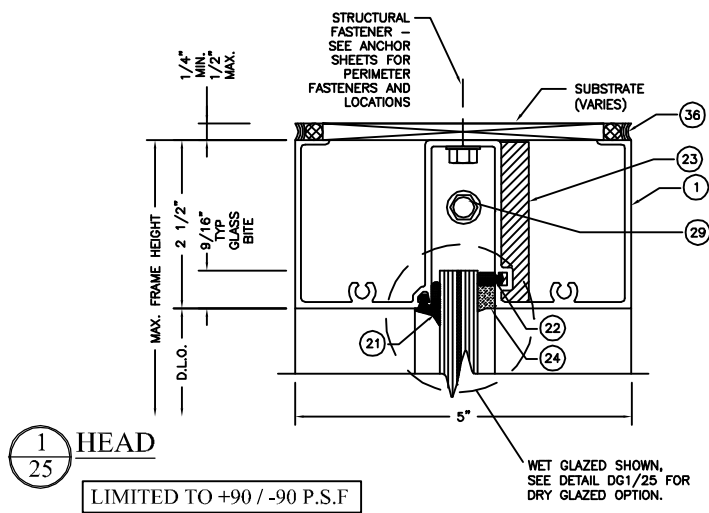
OF 34

24

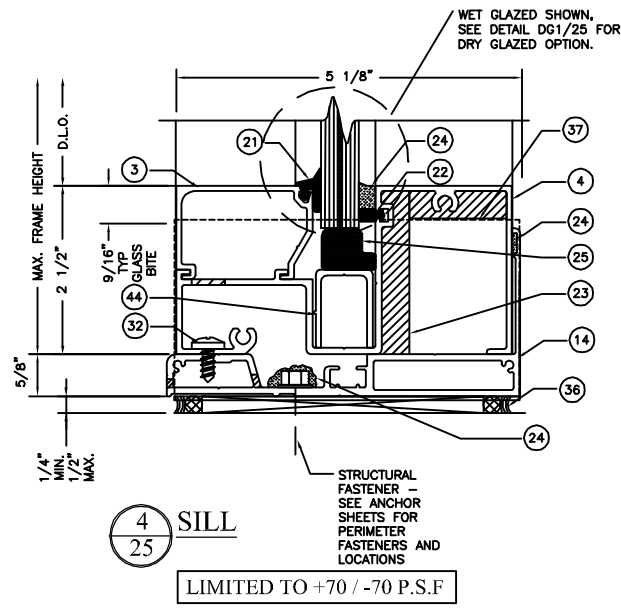
C:\Users\thayer\Engineering_Express\Production - Documents\Projects\21-38374 FG5700 Impact Storefront - TD1.dwg 08/31/2021 - 12:37pm thayer

C:\Users\thayer\Engineering\Express\Production - Documents\Projects\21-38374 FG5700 Impact Storefront - OBE\WorkDrawings & CAD\21-38374c FG5700 Impact Storefront - TD1.dwg

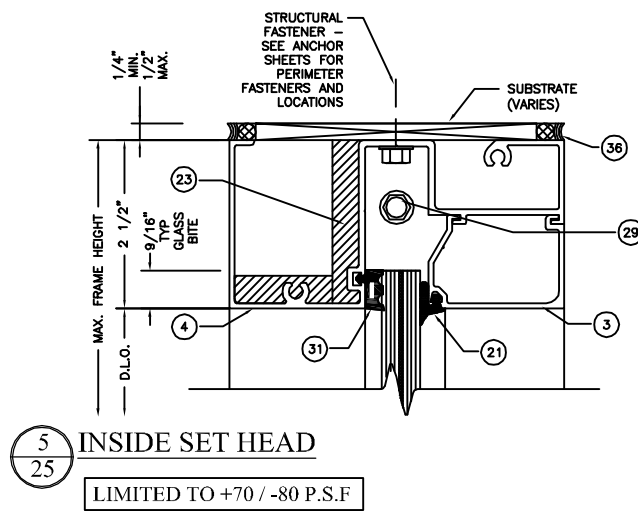
08/31/2021 - 12:37pm thayer



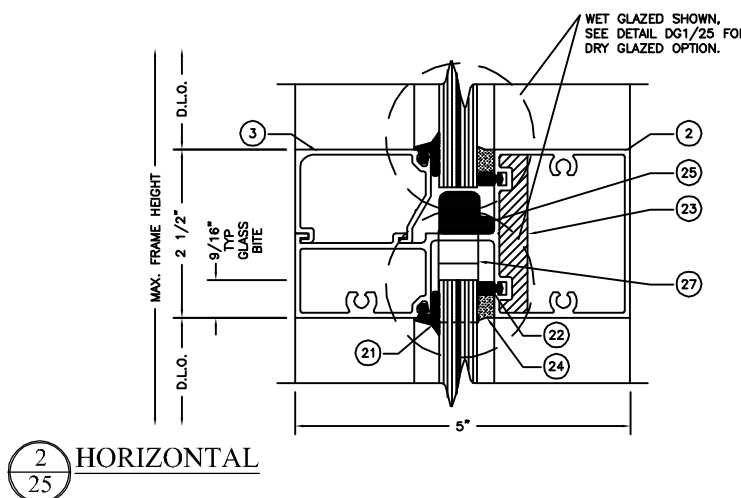
1
25 HEAD
LIMITED TO +90 / -90 P.S.F



4
25 SILL
LIMITED TO +70 / -70 P.S.F



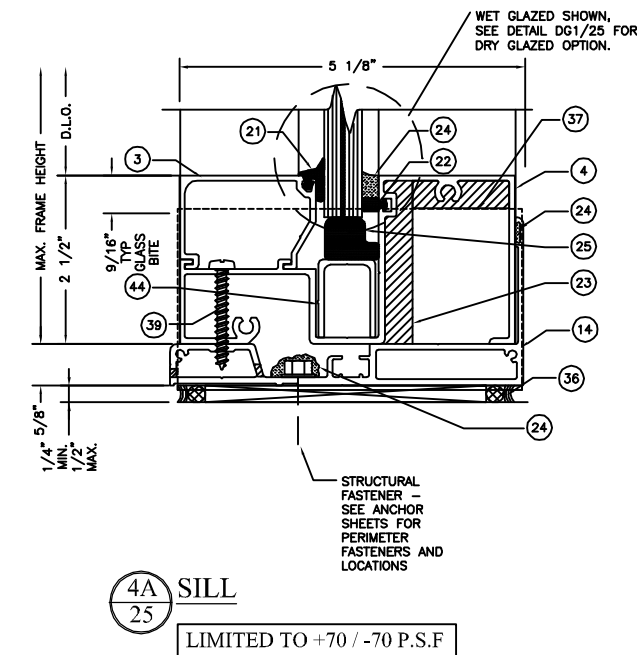
5
25 INSIDE SET HEAD
LIMITED TO +70 / -80 P.S.F



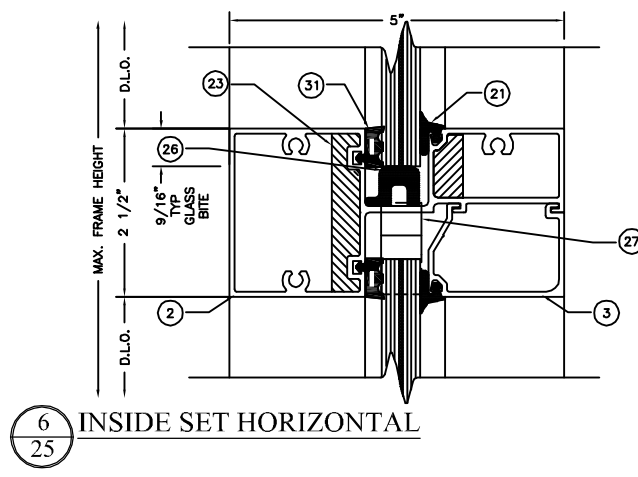
2
25 HORIZONTAL



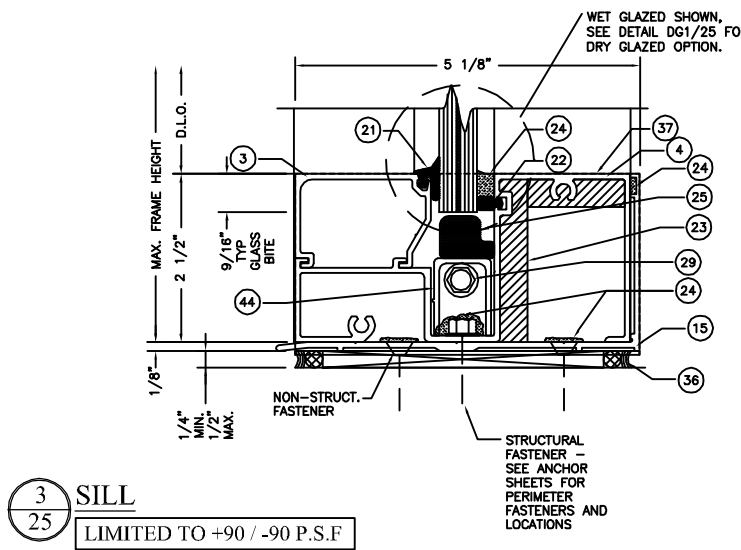
DG1
25 DRY GLAZED OPTION



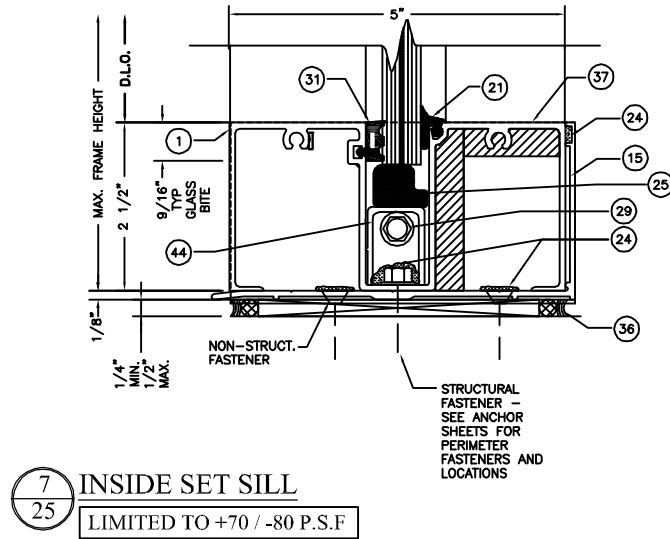
4A
25 SILL
LIMITED TO +70 / -70 P.S.F



6
25 INSIDE SET HORIZONTAL



3
25 SILL
LIMITED TO +90 / -90 P.S.F



7
25 INSIDE SET SILL
LIMITED TO +70 / -80 P.S.F

LOCATE REINFORCEMENT FASTENERS
1" FROM EACH END.

FRANK BENNARDO, P.E.
PE# 96064 CA-F-11383



08/31/2021

ENGINEERING EXPRESS
POSTAL ADDRESS:
401 W. ATLANTIC AVE. R10 #219
DELRAY BEACH, FL 33444
ENGINEERINGEXPRESS.COM

Oldcastle BuildingEnvelope®
803 AIRPORT ROAD
TERRELL, TX 75160
Phn. (972) 551-6100
FG-5700 STORMMAX® STOREFRONT SYSTEM
WET AND DRY GLAZED

DRWN	CHKD	DATE
JEM	AJP	03/16/21

REMARKS
INIT ISSUE

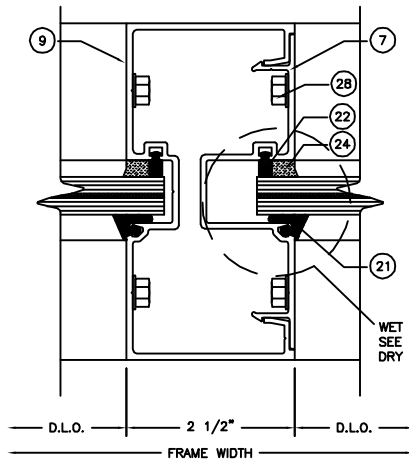
COPYRIGHT ENGINEERING EXPRESS®

21-38374
SCALE: NTS UNLESS NOTED

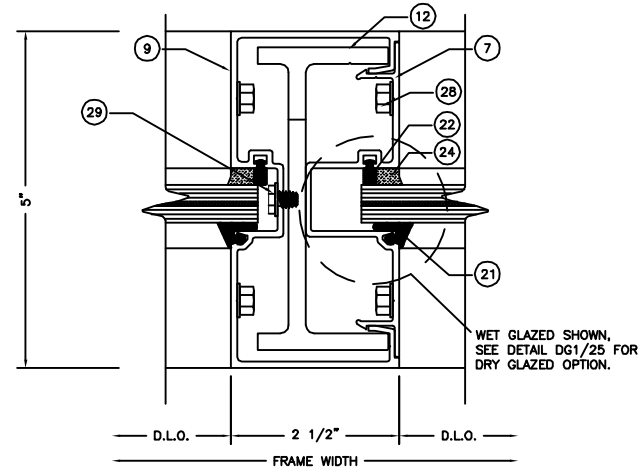
OF 34
25

C:\Users\thayer\Engineering\Express\Production - Documents\Projects\21-38374 FG5700 Impact Storefront - TD1.dwg

08/31/2021 - 12:37pm thayer

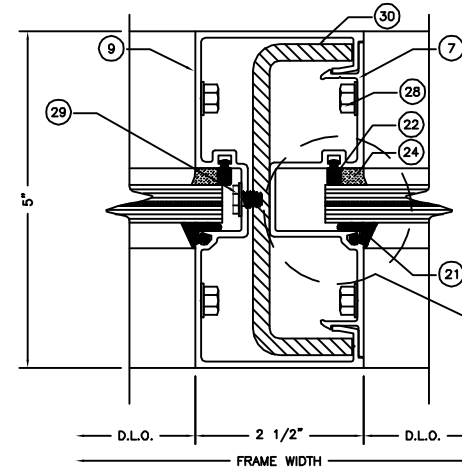


8
26 STANDARD VERTICAL
M1

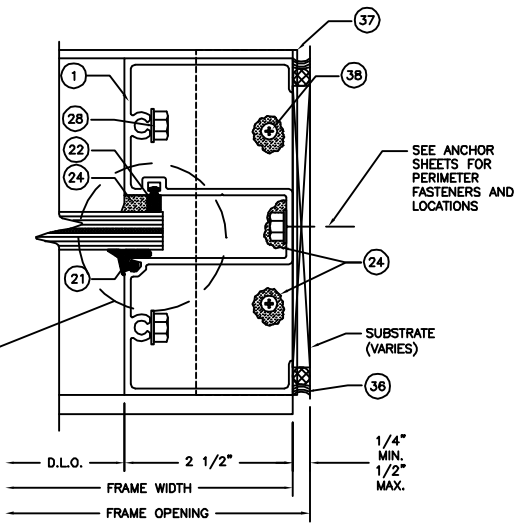


9
26 VERTICAL WITH ALUMINUM REINFORCEMENT
M2

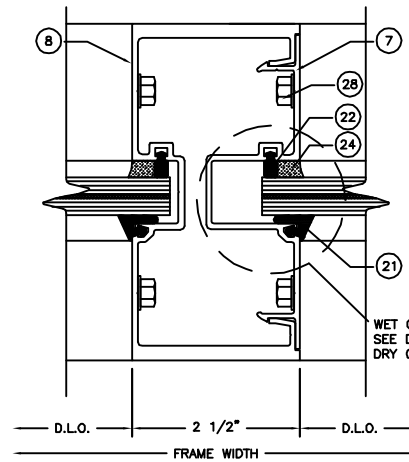
NOTE:
MULLION CAN BE USED UNDER SITE SPECIFIC ENGINEERING AND SHALL BE APPROVED BY THE AUTHORITY HAVING JURISDICTION (AHJ).



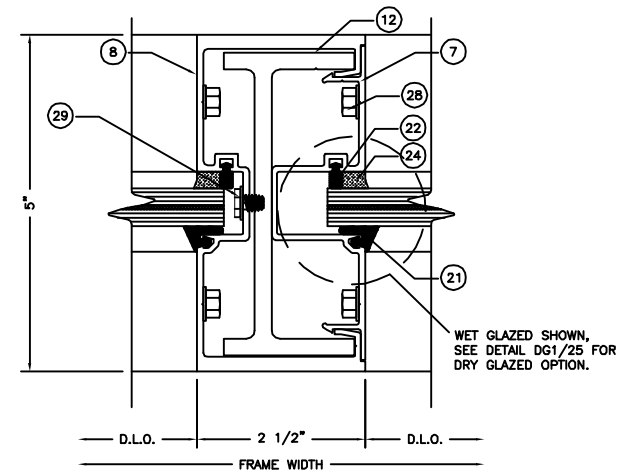
10
26 VERTICAL WITH STEEL REINFORCEMENT
M3



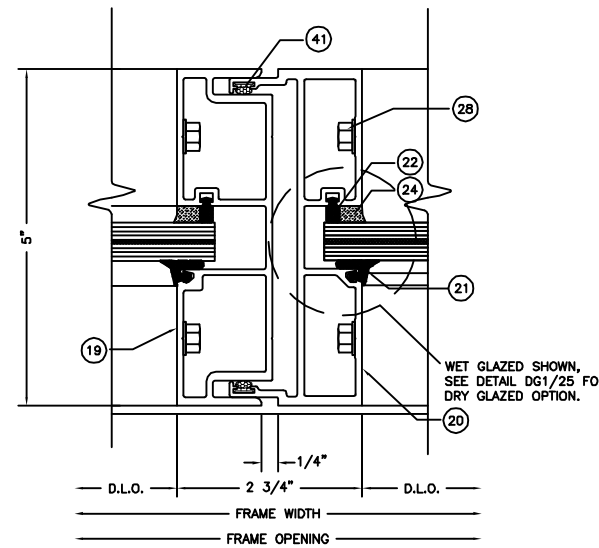
11
26 JAMB VERTICAL
M4



12
26 HEAVY VERTICAL
M5

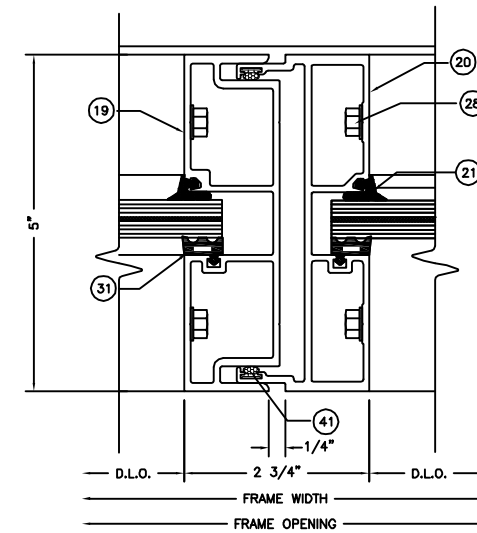


13
26 HEAVY VERTICAL WITH ALUMINUM REINFORCEMENT
M6



14
26 EXPANSION MULLION
M7

NOTE: APPROVED FOR USE OUTSIDE HVHZ



14.1
26 INSIDE SET EXPANSION MULLION
M8

NOTE: APPROVED FOR USE OUTSIDE HVHZ

LOCATE REINFORCEMENT FASTENERS 1" FROM EACH END.

FRANK BERNARDO, P.E.
PE# 96064 CA-F-11383



08/31/2021

ENGINEERING EXPRESS
POSTAL ADDRESS:
401 W. ATLANTIC AVE. R10 #219
DELRAY BEACH, FL 33444
ENGINEERINGEXPRESS.COM

Oldcastle BuildingEnvelope[®]
803 AIRPORT ROAD
TERRELL, TX 75160
Phn. (972) 551-6100

FG-5700 STORMMAX[®] STOREFRONT SYSTEM
WET AND DRY GLAZED

REMARKS	DATE	DRWN	CHKD
INIT ISSUE	03/16/21	JEM	AJP

COPYRIGHT ENGINEERING EXPRESS[®]

21-38374

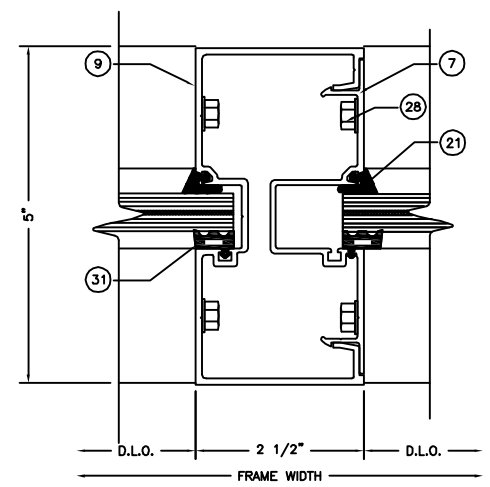
SCALE: NTS UNLESS NOTED

OF 34

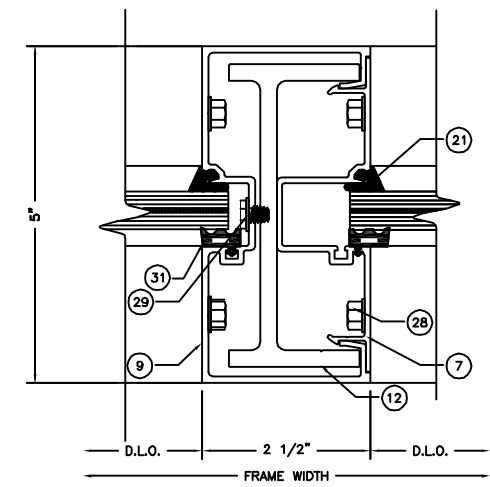
26

C:\Users\thayer\Engineering_Express\Production - Documents\Projects\21-38374 FG5700 Impact Storefront - OBE\WorkDrawings & CAD\21-38374c FG5700 Impact Storefront - TD1.dwg

08/31/2021 - 12:37pm thayer

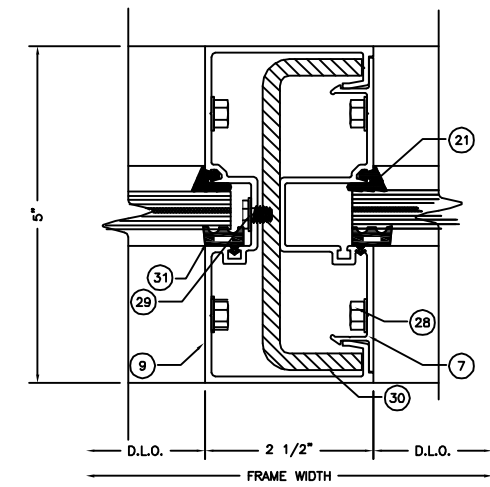


15
27 INSIDE SET STANDARD VERTICAL
M1

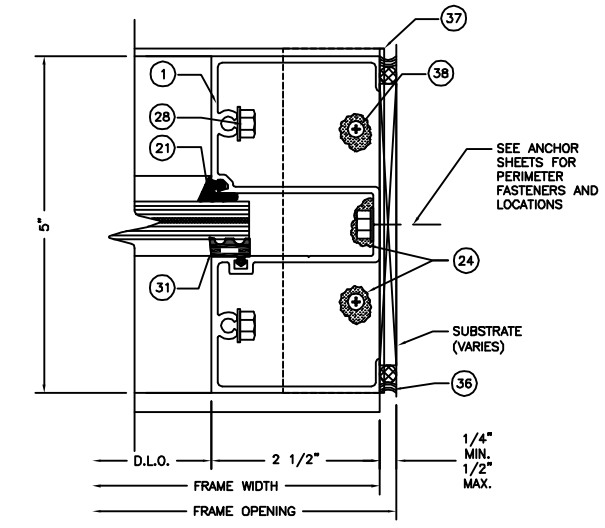


16
27 INSIDE SET VERTICAL WITH ALUMINUM REINFORCEMENT

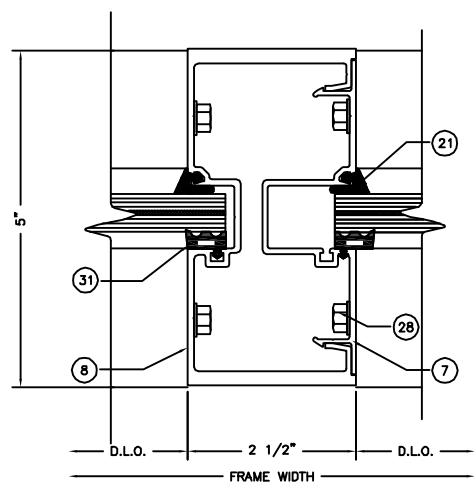
NOTE:
MULLION CAN BE USED UNDER SITE SPECIFIC ENGINEERING AND SHALL BE APPROVED BY THE AUTHORITY HAVING JURISDICTION (AHJ).



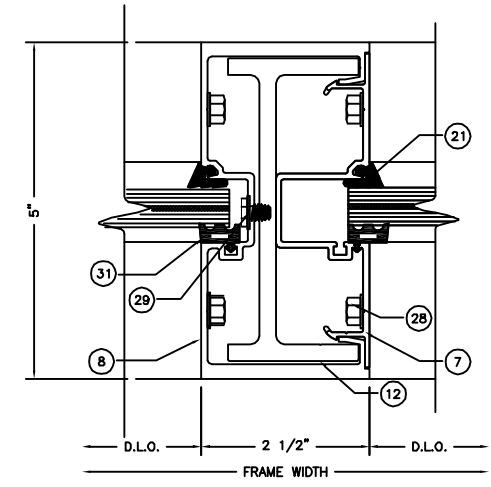
17
27 INSIDE SET VERTICAL WITH STEEL REINFORCEMENT
M5



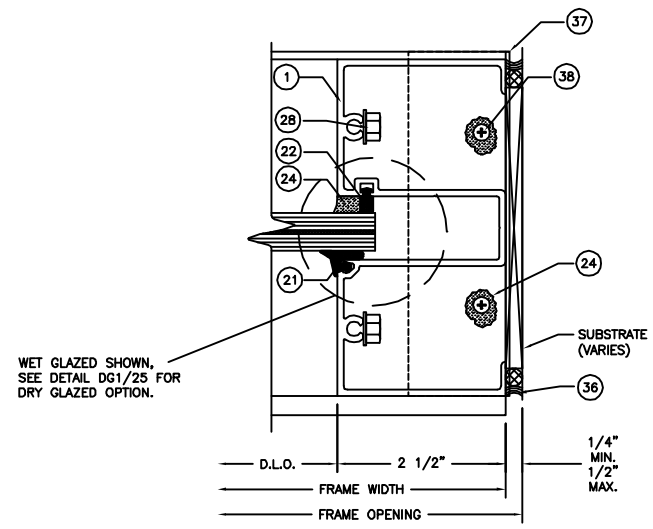
18
27 INSIDE SET JAMB VERTICAL



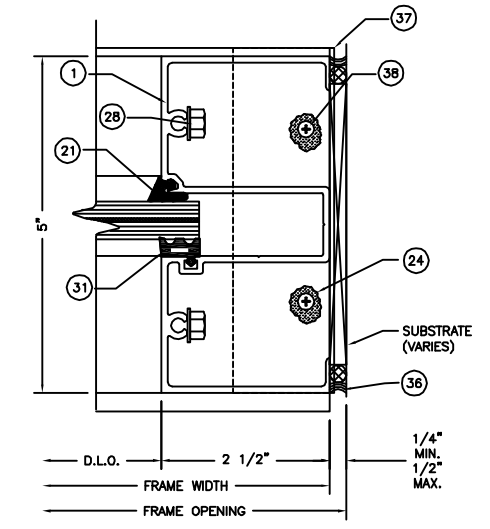
19
27 INSIDE SET HEAVY VERTICAL
M3



20
27 INSIDE SET HEAVY VERTICAL WITH ALUMINUM REINFORCEMENT
M4



20.1
27 JAMB VERTICAL (NON ANCHORED)



20.2
27 INSIDE SET JAMB VERTICAL (NON ANCHORED)-J1

LOCATE REINFORCEMENT FASTENERS
1" FROM EACH END.

FRANK BENNARDO, P.E.
PE# 96064 CA-F-11383



08/31/2021

ENGINEERING EXPRESS
POSTAL ADDRESS:
401 W. ATLANTIC AVE. R10 #219
DELRAY BEACH, FL 33444
ENGINEERINGEXPRESS.COM

Oldcastle BuildingEnvelope®

803 AIRPORT ROAD
TERRELL, TX 75160
Phn. (972) 551-6100
FG-5700 STORMMAX® STOREFRONT SYSTEM
WET AND DRY GLAZED

DRWN	CHKD	DATE
JEM	AJP	03/16/21

REMARKS	INIT	ISSUE

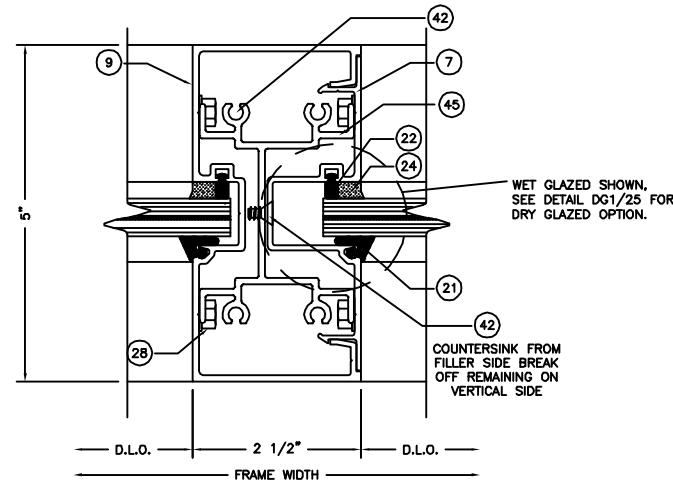
COPYRIGHT ENGINEERING EXPRESS®

21-38374

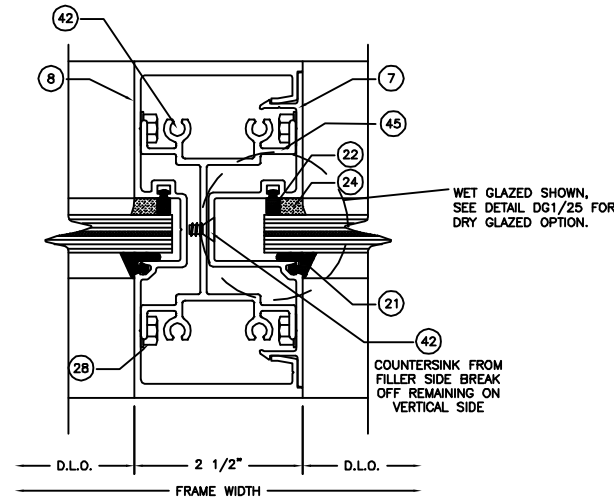
SCALE: NTS UNLESS NOTED

OF 34

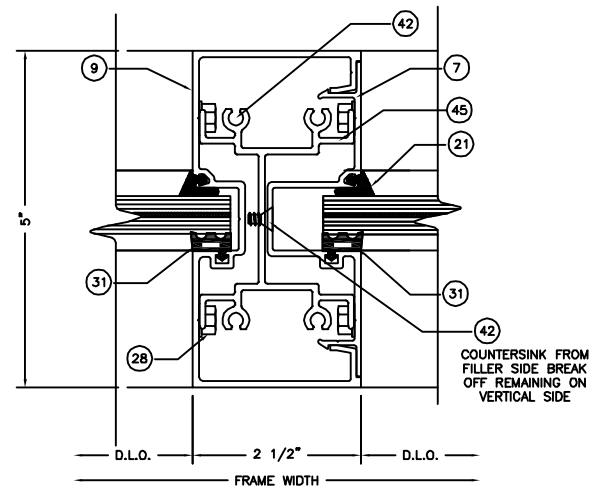
27



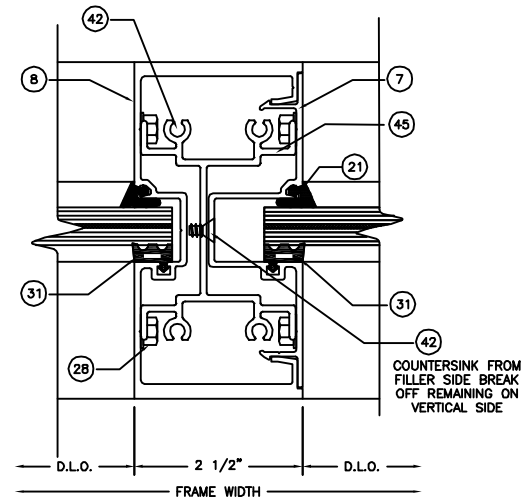
21
28 CRIPPLED VERTICAL



22
28 CRIPPLED HEAVY VERTICAL



23
28 INSIDE SET CRIPPLED VERTICAL



24
28 INSIDE SET CRIPPLED HEAVY VERTICAL

**SHEAR BLOCKS USE FOUR
(4) 42 FASTENERS EACH.**

NOTE:
CRIPPLED VERTICAL MULLIONS SHOWN
HEREIN CAN BE USED UNDER SITE SPECIFIC
ENGINEERING AND SHALL BE APPROVED BY
THE AUTHORITY HAVING JURISDICTION (AHJ).



08/31/2021



POSTAL ADDRESS:
401 W. ATLANTIC AVE. R10 #219
DELRAY BEACH, FL 33444
ENGINEERINGEXPRESS.COM

Oldcastle BuildingEnvelope®

803 AIRPORT ROAD
TERRELL, TX 75160
Phn. (972) 551-6100

FG-5700 STORMMAX® STOREFRONT SYSTEM
WET AND DRY GLAZED

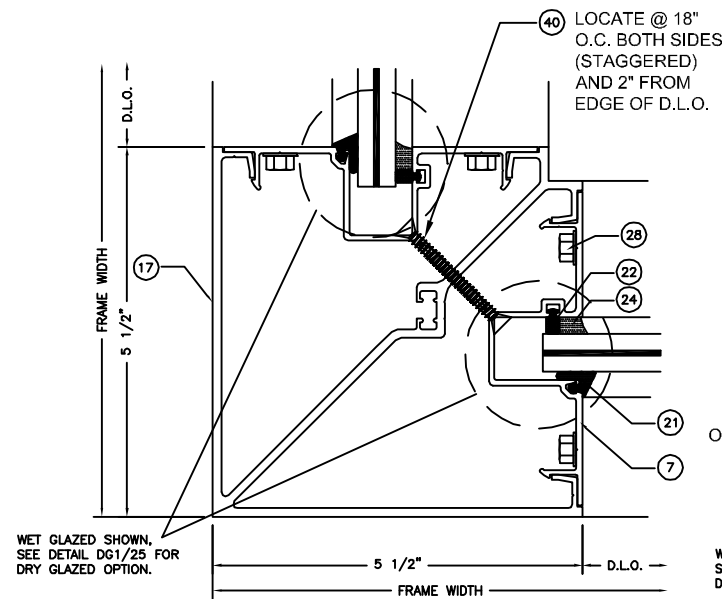
REMARKS	DRWN	CHKD	DATE
INIT ISSUE	JEM	AJP	03/16/21

COPYRIGHT ENGINEERING EXPRESS®

21-38374

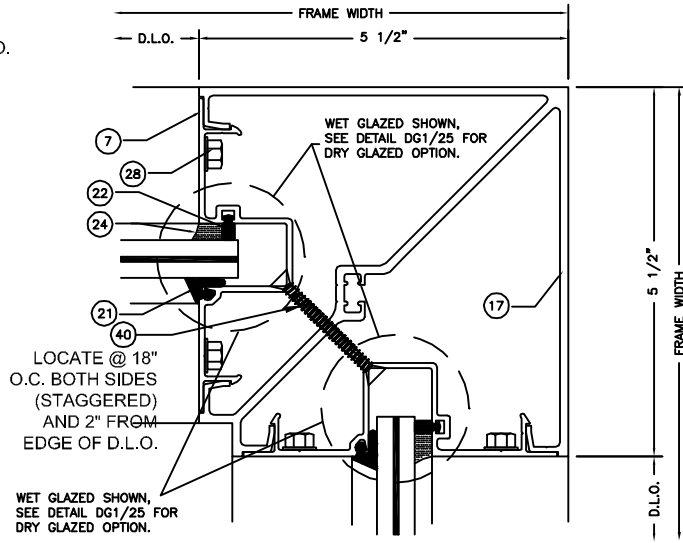
SCALE: NTS UNLESS NOTED

28 OF 34



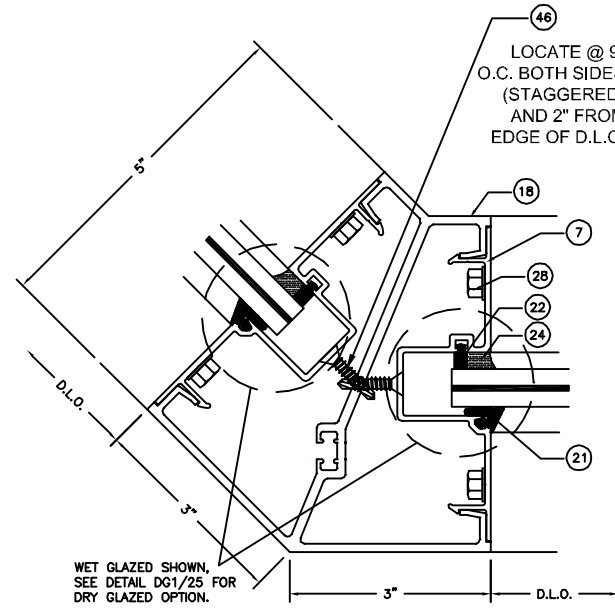
25 90° CORNER POST
29 M6

NOTE: APPROVED FOR USE OUTSIDE HVHZ



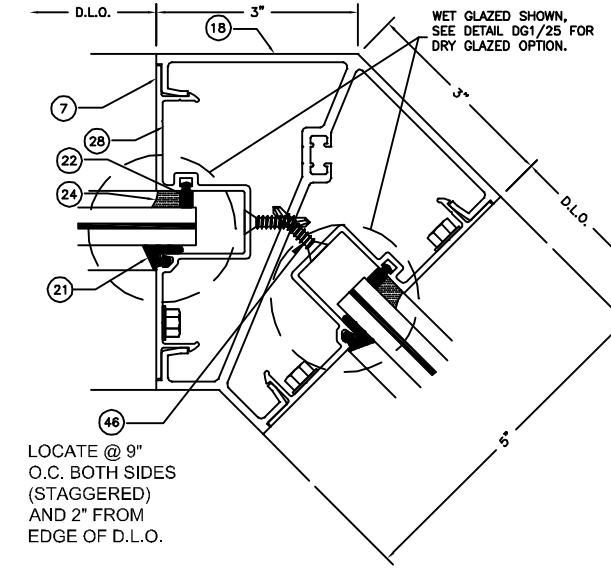
27 90° INSIDE CORNER POST
29 M6

NOTE: APPROVED FOR USE OUTSIDE HVHZ



26 135° CORNER POST
29 M7

NOTE: APPROVED FOR USE OUTSIDE HVHZ



28 135° INSIDE CORNER POST
29 M7

NOTE: APPROVED FOR USE OUTSIDE HVHZ



08/31/2021

ENGINEERING EXPRESS®
 POSTAL ADDRESS:
 401 W. ATLANTIC AVE. R10 #219
 DELRAY BEACH, FL 33444
 ENGINEERINGEXPRESS.COM

Oldcastle BuildingEnvelope®

803 AIRPORT ROAD
 TERRELL, TX 75160
 Phn. (972) 551-6100

FG-5700 STORMMAX® STOREFRONT SYSTEM
 WET AND DRY GLAZED

REMARKS	DRWN	CHKD	DATE
INIT ISSUE	JEM	AJP	03/16/21

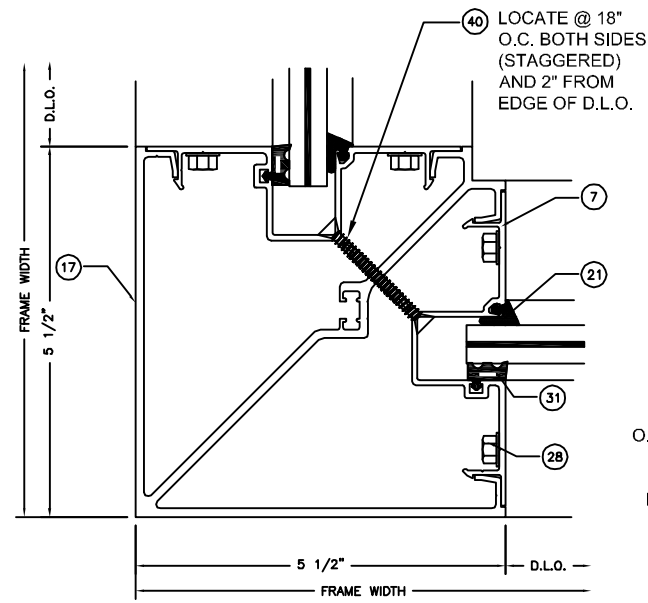
COPYRIGHT ENGINEERING EXPRESS®

21-38374

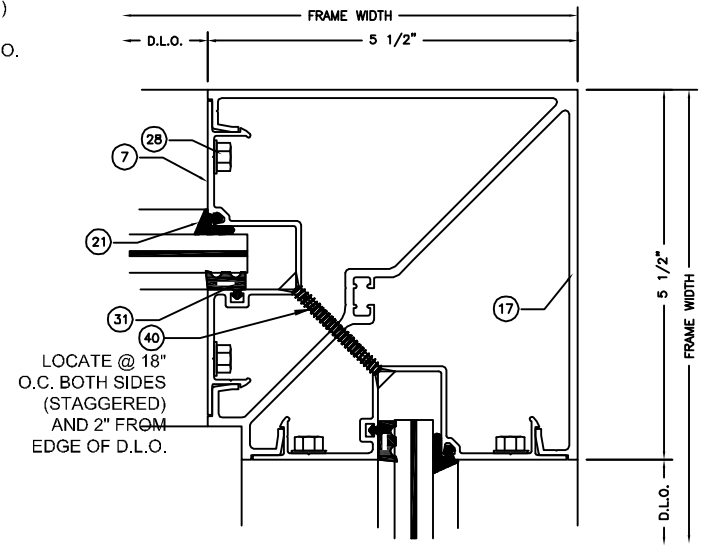
SCALE: NTS UNLESS NOTED

OF 34

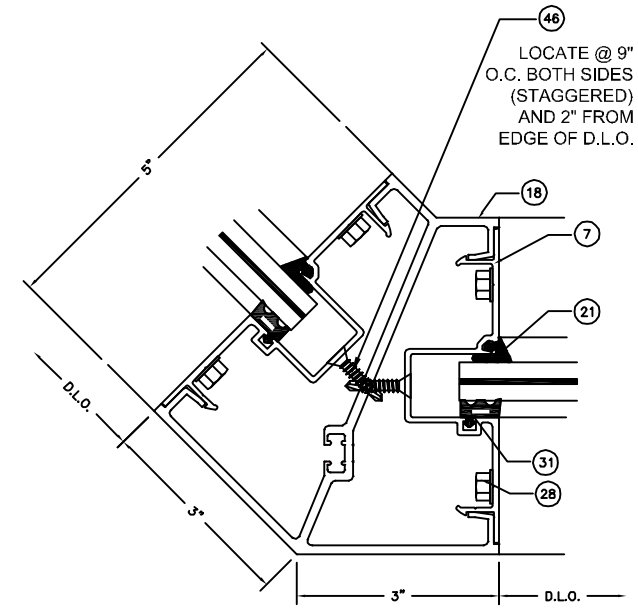
29



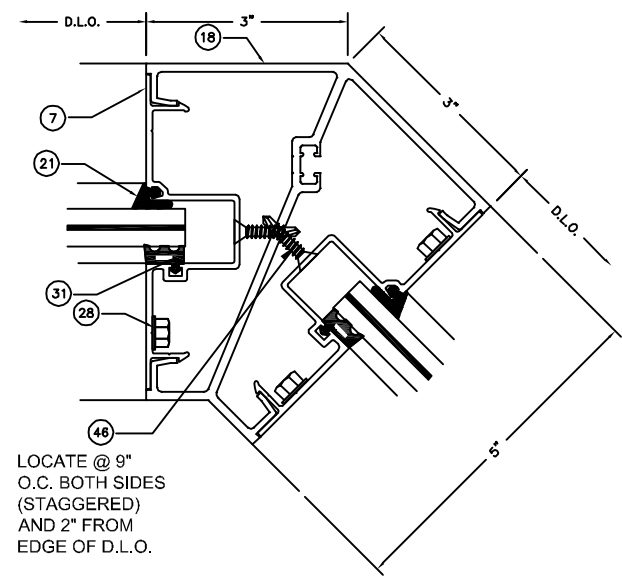
25.1
30 INSIDE SET 90° CORNER POST
M6
NOTE: APPROVED FOR USE
OUTSIDE HVHZ



27.1
30 INSIDE SET 90° INSIDE CORNER POST
M6
NOTE: APPROVED FOR USE
OUTSIDE HVHZ



26.1
30 INSIDE SET 135° CORNER POST
M7
NOTE: APPROVED FOR USE
OUTSIDE HVHZ



28.1
30 INSIDE SET 135° INSIDE CORNER POST
M7
NOTE: APPROVED FOR USE
OUTSIDE HVHZ



08/31/2021

ENGINEERING EXPRESS®
 POSTAL ADDRESS:
 401 W. ATLANTIC AVE. R10 #219
 DELRAY BEACH, FL 33444
 ENGINEERINGEXPRESS.COM

Oldcastle BuildingEnvelope®

803 AIRPORT ROAD
 TERRELL, TX 75160
 Phn. (972) 551-6100

FG-5700 STORMMAX® STOREFRONT SYSTEM
 WET AND DRY GLAZED

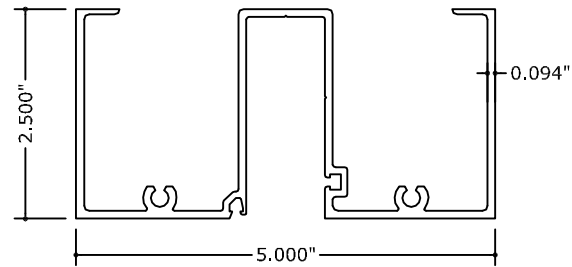
REMARKS	DRWN	CHKD	DATE
INIT ISSUE	JEM	AJP	03/16/21

COPYRIGHT ENGINEERING EXPRESS®

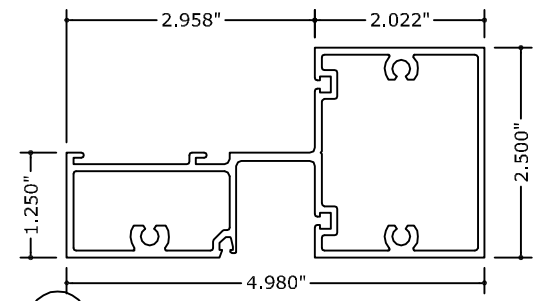
21-38374

SCALE: NTS UNLESS NOTED

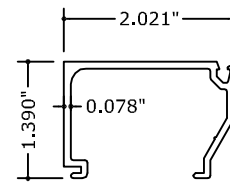
C:\Users\thayer\Engineering_Express\Production - Documents\Projects\21-38374 FG5700 Impact Storefront - OBE\Work\Drawings & CAD\21-38374c FG5700 Impact Storefront - TD.dwg



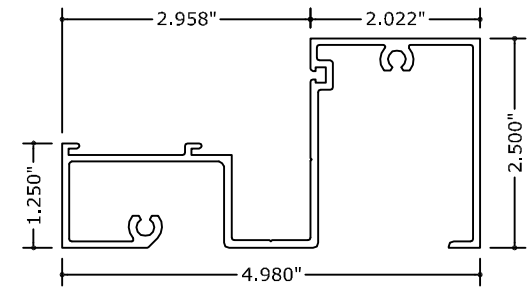
1 FG-5700
HEAD/SILL/JAMB



2 FG-5702
HORIZONTAL

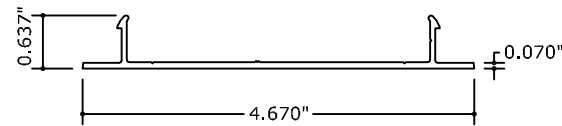


3 FG-5710
GLASS STOP

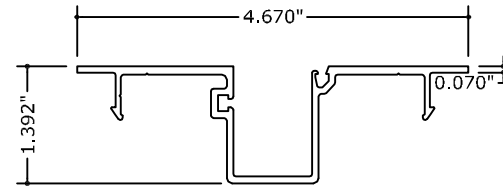


4 FG-5701
SILL

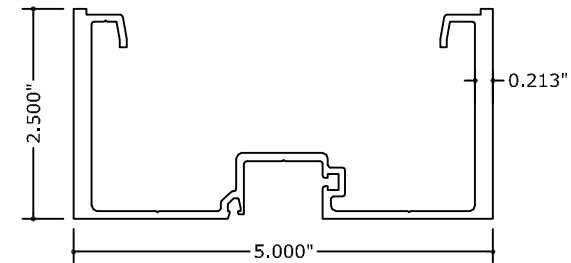
NOT USED



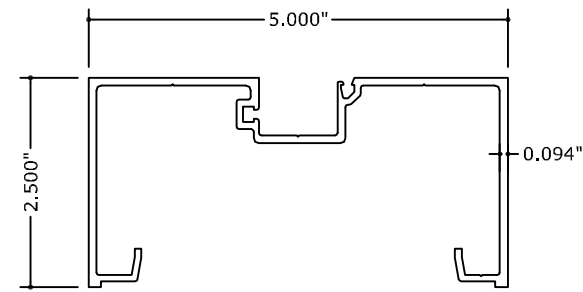
6 FG-5715
FLAT FILLER



7 FG-5711
POCKET FILLER



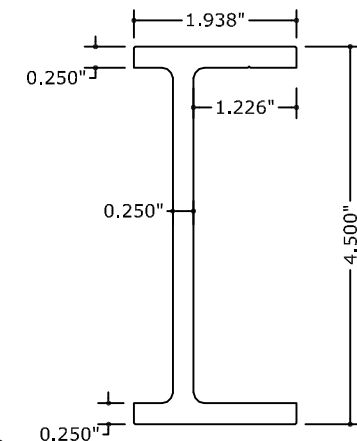
8 FG-5704
HEAVY VERICAL



9 FG-5703
VERTICAL/DOOR JAMB

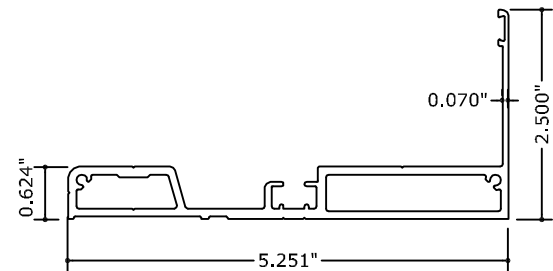
NOT USED

NOT USED

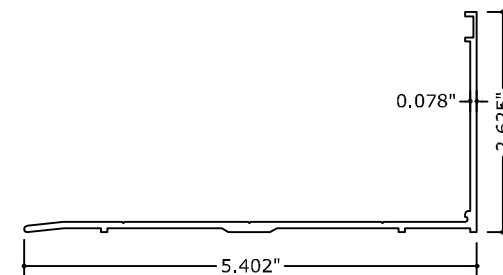


12 FG-5720
ALUMINUM STIFFENER

NOT USED



14 FG-5712
SUBSILL



15 FG-5180
SUBSILL

NOT USED

FRANK BENNARDO, P.E.
PE# 96064 CA-F-11383



08/31/2021

ENGINEERING EXPRESS
POSTAL ADDRESS:
401 W. ATLANTIC AVE. R10 #219
DELRAY BEACH, FL 33444
ENGINEERINGEXPRESS.COM

Oldcastle BuildingEnvelope®

803 AIRPORT ROAD
TERRELL, TX 75160
Phn. (972) 551-6100

FG-5700 STORMMAX® STOREFRONT SYSTEM
WET AND DRY GLAZED

REMARKS	DRWN	CHKD	DATE
INIT ISSUE	JEM	AJP	03/16/21

COPYRIGHT ENGINEERING EXPRESS®

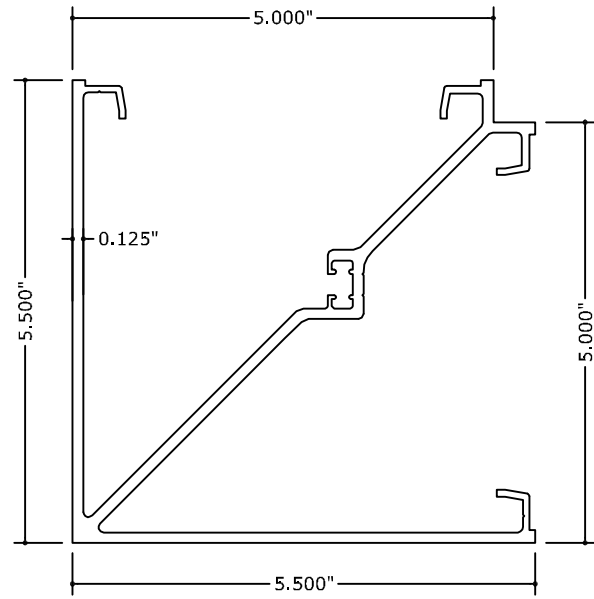
21-38374

SCALE: NTS UNLESS NOTED

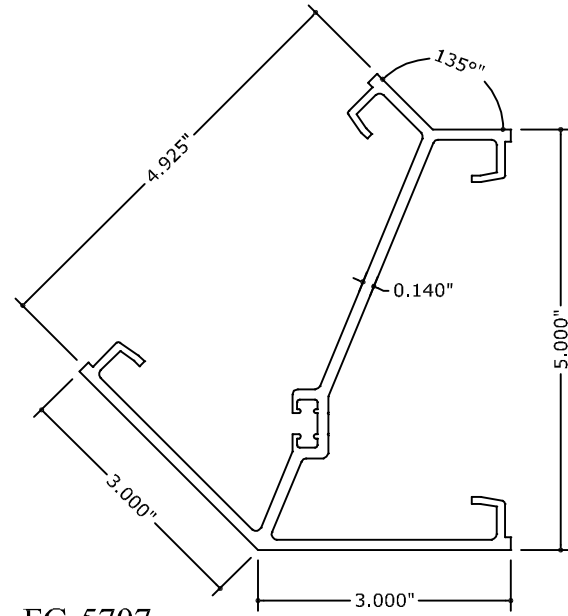
OF 34

31

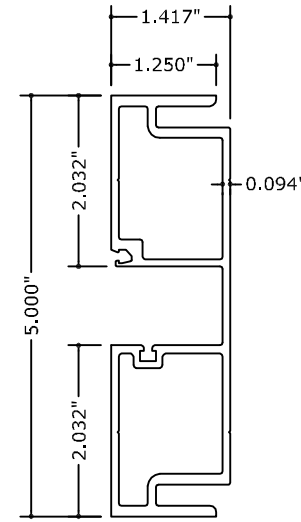
C:\Users\thayer\Engineering_Express\Production - Documents\Projects\21-38374 FG5700 Impact Storefront - OBE\Work\Drawings & CAD\21-38374c FG5700 Impact Storefront - TD1.dwg 08/31/2021 - 12:38pm thayer



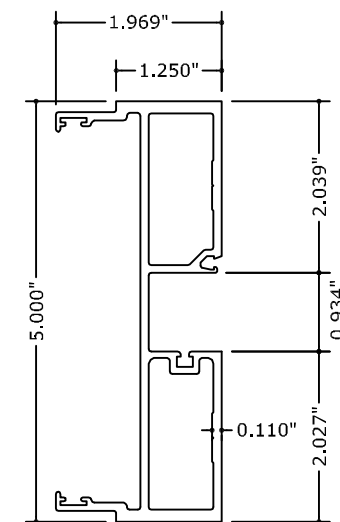
17 FG-5706
90 DEGREE CORNER POST



18 FG-5707
135 DEGREE CORNER POST



19 FG-5724
EXPANSION MULLION



20 FG-5725
EXPANSION MULLION

FRANK BENNARDO, P.E.
PE# 96064 CA-F-11383



08/31/2021

ENGINEERING EXPRESS
POSTAL ADDRESS:
401 W. ATLANTIC AVE. R10 #219
DELRAY BEACH, FL 33444
ENGINEERINGEXPRESS.COM

Oldcastle BuildingEnvelope®

803 AIRPORT ROAD
TERRELL, TX 75160
Phn. (972) 551-6100
FG-5700 STORMMAX® STOREFRONT SYSTEM
WET AND DRY GLAZED

REMARKS	DRWN	CHKD	DATE
INIT ISSUE	JEM	AJP	03/16/21

COPYRIGHT ENGINEERING EXPRESS®

21-38374

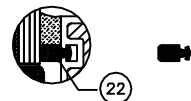
SCALE: NTS UNLESS NOTED

OF 34

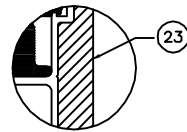
32



21 FG-5730
EXTERIOR GLAZING GASKET



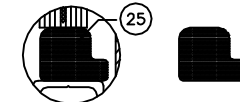
22 FG-5731
SPACER GASKET



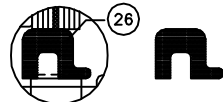
23 SM5601
JOINT TAPE



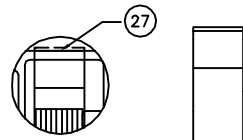
24 DOWSIL 995
SEALANT



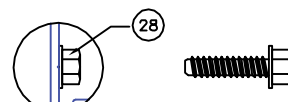
25 FG-5733
SETTING BLOCK



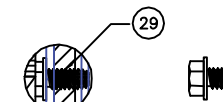
26 FG-5734
SETTING BLOCK



27 FG5790-01
WATER DIVERTER

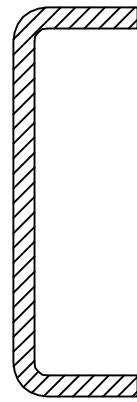


28 FS-8
JOINT FASTENER

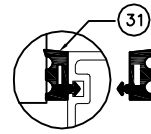


29 FS-354
REINFORCEMENT FASTENER

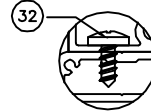
C:\Users\thayer\Engineering_Express\Production - Documents\Projects\21-38374 FG5700 Impact Storefront - OBE\Work\Drawings & CAD\21-38374c FG5700 Impact Storefront - TD.dwg



30 RS-30
STEEL REINFORCEMENT



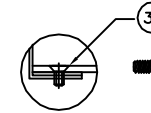
31 FG-5732
DRY GLAZE GASKET



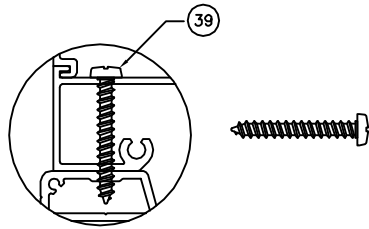
32 FS-27
FASTENER



37 AN-101-01
SILL END DAM



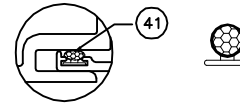
38 FS-23
SILL END DAM
FASTENER



39 FS-229
SILL-SUBSILL FASTENER



40 FS-59
CORNER ASSEMBLY FASTENER



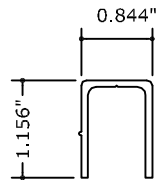
41 CW-998
EXPANSION MULL GASKET



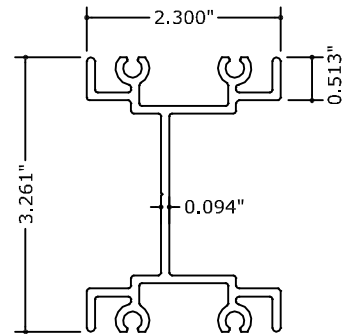
42 FS-96
SHEAR BLOCK
FASTENER



43 FS-56
FASTENER



44 FG-5721-01
SETTING CHAIR



45 FG-5714-01
SHEAR BLOCK



46 FS-58
FASTENER

FRANK BENNARDO, P.E.
PE# 96064 CA-F-11383



08/31/2021

ENGINEERING EXPRESS®
POSTAL ADDRESS:
401 W. ATLANTIC AVE. R10 #219
DELRAY BEACH, FL 33444
ENGINEERINGEXPRESS.COM

Oldcastle BuildingEnvelope®
803 AIRPORT ROAD
TERRELL, TX 75160
Phn. (972) 551-6100
FG-5700 STORMMAX® STOREFRONT SYSTEM
WET AND DRY GLAZED

REMARKS	DRWN	CHKD	DATE
INIT ISSUE	JEM	AJP	03/16/21

COPYRIGHT ENGINEERING EXPRESS®

21-38374

SCALE: NTS UNLESS NOTED

33 OF 34

C:\Users\thayer\Engineering\Express\Production - Documents\Projects\21-38374 FG5700 Impact Storefront - OBE\WorkDrawings & CAD\21-38374c FG5700 Impact Storefront - TD.dwg

BILL OF MATERIALS

ITEM NO.	P/N	DESCRIPTION	DIMENSIONS	MATERIAL	MANUFACTURER	NOTES
ALUMINUM PARTS						
1	FG-5700	HEAD/SILL/JAMB	2.500 x 5.000 x 0.094	6063-T6 ALUMINUM	OBE	
2	FG-5702	HORIZONTAL MULLION	2.500 x 4.980 x 0.094	6063-T6 ALUMINUM	OBE	
3	FG-5710	GLASS STOP	1.250 x 2.021 x 0.078	6063-T6 ALUMINUM	OBE	
4	FG-5701	HEAD/SILL	2.500 x 4.980 x 0.094	6063-T6 ALUMINUM	OBE	
	NOT USED	NOT USED	NOT USED	NOT USED	NOT USED	NOT USED
6	FG-5715	FLAT FILLER	0.636 x 4.670 x 0.080	6063-T6 ALUMINUM	OBE	RUNS FULL LENGTH
7	FG-5711	POCKET FILLER	0.681 x 4.670 x 0.080	6063-T6 ALUMINUM	OBE	
8	FG-5704	HEAVY MULLION	2.500 x 5.000 x 0.213	6063-T6 ALUMINUM	OBE	
9	FG-5703	VERTICAL MULLION / DOOR JAMB	2.500 x 5.000 x 0.094	6063-T6 ALUMINUM	OBE	
12	FG-5720	ALUMINUM STIFFENER	4.500 x 1.9375 x 0.250	6063-T6 ALUMINUM	OBE	MAXIMUM LENGTH OF 144"
	NOT USED	NOT USED	NOT USED	NOT USED	NOT USED	NOT USED
14	FG-5712	5/8" SUBSILL	5.276 x 2.750 x 0.100	6063-T6 ALUMINUM	OBE	
15	FG-5180	1/8" SUBSILL	5.402 x 2.625 x 0.080	6063-T6 ALUMINUM	OBE	
	NOT USED	NOT USED	NOT USED	NOT USED	NOT USED	NOT USED
17	FG-5706	90° CORNER MULLION	5.500 x 5.500 x 0.125	6063-T6 ALUMINUM	OBE	
18	FG-5707	135° CORNER MULLION	3.000 x 5.000 x 0.125	6063-T6 ALUMINUM	OBE	
19	FG-5724	EXPANSION MULLION	1.420 X 5.000 X .094	6063-T6 ALUMINUM	OBE	
20	FG-5725	EXPANSION MULLION	1.970 X 5.000 X .094	6063-T6 ALUMINUM	OBE	
ACCESSORY PARTS						
21	FG-5730	EXTERIOR GLAZING GASKET	0.120 SPACE	EPDM	VARIES	
22	FG-5731	SPACER GASKET	0.250 SPACE	EPDM	VARIES	
23	SM5601	JOINT SEALANT TAPE	0.500 x 0.125 x VARIES	POLYISOBUTYLENE	SCHNEE-MOOREHEAD	
24	DOWSIL 995	STRUCTURAL SEALANT	--	SILICONE	DOW CHEMICAL COMPANY	FOR WET GLAZING AND FRAME ASSEMBLY
25	FG-5733	SETTING BLOCK	0.313 x 1.250 x 4.000	EPDM	VARIES	2 PER LITE
26	FG-5734	SETTING BLOCK	0.800 x 0.548 x 4.000	EPDM	VARIES	2 PER LITE, FOR INSIDE GLAZED INTERM. HORIZ.
27	FG5790-01	WATER DIVERTER	1.358 x 0.594 x 0.050	INJECTION MOLDED PLASTIC	OBE	AT EACH END OF INTERMEDIATE HORIZONTALS
28	FS-8	FASTENER	#14 x 1" HHSTS	STEEL (DACROMET)	VARIES	SCREW SPLINE SCREW
29	FS-354	FASTENER	1/4"-20 x 3/8" HH TYPE F	STEEL (GEOMET)	VARIES	REINFORCEMENT SCREW, 1" FROM EACH END
30	RS-30	STEEL REINFORCEMENT	4.562 x 1.250 x 0.250	STEEL	VARIES	ASTM A-36
31	FG-5732	DRY GLAZE GASKET	0.250 SPACE	EPDM	VARIES	
32	FS-27	FASTENER (SILL-TO-SUBSILL)	#12 x 1/2" PPH SMS	STEEL (DACROMET)	VARIES	4 FASTENERS PER SIDE (2" FROM MULLION & 2" ON CENTER, 4 PER SIDE).
	NOT USED	NOT USED	NOT USED	NOT USED	NOT USED	NOT USED
	NOT USED	NOT USED	NOT USED	NOT USED	NOT USED	NOT USED
	NOT USED	NOT USED	NOT USED	NOT USED	NOT USED	NOT USED
36	DOWSIL 795	PERIMETER SEALANT	--	SILICONE	DOW CHEMICAL COMPANY	
37	AN-101-01	SILL FLASHING END DAM	2.688 x 0.750 x 0.063 x 5.125	6063-T6 ALUMINUM	OBE	
38	FS-23	FASTENER	#6 x 3/8" PPH	STEEL (ZINC PLATED)	VARIES	ATTACH END DAM TO SUBSILL
39	FS-229	FASTENER (SILL-TO-SUBSILL)	#14 x 1-1/2" PPH	STEEL (GEOMET)	VARIES	4 FASTENERS PER SIDE (2" FROM MULLION & 2" ON CENTER, 4 PER SIDE).
40	FS-59	FASTENER	#10 x 1-1/2" PFH SMS	STEEL (GEOMET)	VARIES	USED AT 90° CORNERS
41	CW-998	BULB GASKET		FOAM-TITE BULB	AMESBURY	EXPANSION MULLION
42	FS-96	FASTENER	#12 x 2-1/2" PPH SMS	STEEL (GEOMET)	VARIES	SHEAR BLOCK SCREW
43	FS-56	FASTENER	#10 x 1/2" UCPFH	STAINLESS STEEL	VARIES	CRIPPLED SHEAR BLOCK
44	FG-5721-01	SETTING CHAIR	1.156 x 0.844 x 0.078	6063-T6 ALUMINUM	OBE	
45	FG-5714-01	SHEAR BLOCK	2.300 x 3.261 x 0.094	6063-T6 ALUMINUM	OBE	2" IN LENGTH
46	FS-58	FASTENER	#10x 1" PFH SMS	STEEL GEOMET	VARIES	USED AT 135° CORNERS

FRANK BENNARDO, P.E.
PE# 96064 CA-F-11383



08/31/2021

ENGINEERING EXPRESS
 POSTAL ADDRESS:
 401 W. ATLANTIC AVE. R10 #219
 DELRAY BEACH, FL 33444
 ENGINEERINGEXPRESS.COM

Oldcastle BuildingEnvelope®

803 AIRPORT ROAD
 TERRELL, TX 75160
 Phn. (972) 551-6100
 FG-5700 STORMMAX® STOREFRONT SYSTEM
 WET AND DRY GLAZED

REMARKS	DATE	03/16/21
	DRWN	CHKD	JEM	AJP	. . .
INIT	ISSUE

COPYRIGHT ENGINEERING EXPRESS®

21-38374

SCALE: NTS UNLESS NOTED

34