

YKK AP AMERICA, INC.

YHS 50 FS ALUMINUM STOREFRONT SYSTEM - OUTSIDE GLAZED (IMPACT)



YKK AP AMERICA, INC.
1229 HWY 441 BYPASS
DUBLIN, GEORGIA 31021
PH: (478)277-1955 FAX: (678)838-6001

INSTALLATION NOTES:

- SEE SHEET 12 FOR ANCHOR TYPE REQUIREMENTS, MINIMUM EMBEDMENTS, AND MINIMUM EDGE DISTANCES. ALL ANCHOR REQUIREMENTS MUST BE ADHERED TO. ANY DEVIATIONS FROM ANCHOR REQUIREMENTS REQUIRES SEPARATE EVALUATION AND APPROVAL.
- ONE (1) INSTALLATION ANCHOR IS REQUIRED AT EACH ANCHOR LOCATION SHOWN.
- THE NUMBER OF INSTALLATION ANCHORS DEPICTED IS THE MINIMUM NUMBER OF ANCHORS TO BE USED FOR PRODUCT INSTALLATION.
- INSTALL INDIVIDUAL INSTALLATION ANCHORS WITHIN A TOLERANCE OF ±1/2 INCH OF THE DEPICTED LOCATION IN THE ANCHOR LAYOUT DETAIL (I.E., WITHOUT CONSIDERATION OF TOLERANCES). TOLERANCES ARE NOT CUMULATIVE FROM ONE INSTALLATION ANCHOR TO THE NEXT.
- SHIM AS REQUIRED AT EACH INSTALLATION ANCHOR WITH LOAD BEARING SHIM(S). MAXIMUM ALLOWABLE SHIM STACK TO BE 3/8 INCH. SHIM WHERE SPACE OF 1/16 INCH OR GREATER OCCURS. SHIM(S) SHALL BE CONSTRUCTED OF HIGH DENSITY PLASTIC OR BETTER.
- MINIMUM EMBEDMENT AND EDGE DISTANCE EXCLUDE WALL FINISHES, INCLUDING BUT NOT LIMITED TO STUCCO, FOAM, BRICK VENEER, AND SIDING.
- INSTALLATION ANCHORS AND ASSOCIATED HARDWARE MUST BE MADE OF CORROSION RESISTANT MATERIAL OR HAVE A CORROSION RESISTANT COATING.
- FOR HOLLOW BLOCK AND GROUT FILLED BLOCK, DO NOT INSTALL INSTALLATION ANCHORS INTO MORTAR JOINTS. EDGE DISTANCE IS MEASURED FROM FREE EDGE OF BLOCK OR EDGE OF MORTAR JOINT INTO FACE SHELL OF BLOCK.
- INSTALLATION ANCHORS SHALL BE INSTALLED IN ACCORDANCE WITH ANCHOR MANUFACTURER'S INSTALLATION INSTRUCTIONS, AND ANCHORS SHALL NOT BE USED IN SUBSTRATES WITH STRENGTHS LESS THAN THE MINIMUM STRENGTH SPECIFIED BY THE ANCHOR MANUFACTURER.
- INSTALLATION ANCHOR CAPACITIES FOR PRODUCTS HEREIN ARE BASED ON SUBSTRATE MATERIALS WITH THE FOLLOWING PROPERTIES:
 - WOOD - MINIMUM SPECIFIC GRAVITY OF 0.42.
 - CONCRETE - MINIMUM COMPRESSIVE STRENGTH OF 3000 PSI.
 - MASONRY - CMU UNIT STRENGTH CONFORMS TO ASTM C-90, WITH MIN. COMPRESSIVE STRENGTH OF 2000 PSI AND GROUT CONFORMS TO ASTM C 476, MIN. GROUT COMPRESSIVE STRENGTH OF 2000 PSI.
 - STEEL - MINIMUM YIELD STRENGTH OF 36 KSI. MINIMUM 12 GA. WALL THICKNESS.
 - STEEL - MINIMUM YIELD STRENGTH OF 36 KSI. MINIMUM 18 GA. WALL THICKNESS WITH 2X WOOD BACKING.
 - ALUMINUM - MINIMUM 1/8 INCH THICK 6063-T5 ALUMINUM.

GENERAL NOTES:

- THE PRODUCT SHOWN HEREIN IS DESIGNED AND MANUFACTURED TO COMPLY WITH THE 2018 INTERNATIONAL BUILDING CODE (IBC) AND 2018 INTERNATIONAL RESIDENTIAL CODE (IRC), AND HAS BEEN EVALUATED ACCORDING TO THE FOLLOWING:
 - ASTM E283-04(12)
 - ASTM E330-14
 - ASTM E331-00(09)
 - ASTM E1886-13a
 - ASTM E1996-14a
 - TAS 201-94
 - TAS 202-94
 - TAS 203-94
- ADEQUACY OF THE EXISTING STRUCTURAL CONCRETE/MASONRY, 2X FRAMING AND METAL STUD FRAMING AS A MAIN WIND FORCE RESISTING SYSTEM CAPABLE OF WITHSTANDING AND TRANSFERRING APPLIED PRODUCT LOADS TO THE FOUNDATION IS THE RESPONSIBILITY OF THE ENGINEER OR ARCHITECT OF RECORD FOR THE PROJECT OF INSTALLATION.
- 1X AND 2X BUCKS (WHEN USED) SHALL BE DESIGNED AND ANCHORED TO PROPERLY TRANSFER ALL LOADS TO THE STRUCTURE. BUCK DESIGN AND INSTALLATION IS THE RESPONSIBILITY OF THE ENGINEER OR ARCHITECT OF RECORD FOR THE PROJECT OF INSTALLATION.
- THE INSTALLATION DETAILS DESCRIBED HEREIN ARE GENERIC AND MAY NOT REFLECT ACTUAL CONDITIONS FOR A SPECIFIC SITE. IF SITE CONDITIONS CAUSE INSTALLATION TO DEVIATE FROM THE REQUIREMENTS DETAILED HEREIN, A LICENSED ENGINEER OR ARCHITECT SHALL PREPARE SITE SPECIFIC DOCUMENTS FOR USE WITH THIS DOCUMENT.
- APPROVED IMPACT PROTECTIVE SYSTEM **IS NOT REQUIRED** ON THIS PRODUCT IN AREAS REQUIRING IMPACT RESISTANCE IN WIND ZONE 3 OR LESS. SEE SHEETS 3 & 4 FOR LMI AND SMI GLASS TYPES.
- STOREFRONT FRAME MATERIAL: ALUMINUM 6063-T5
- ALL STRUCTURAL MATERIALS & DISSIMILAR METALS SHALL BE PROTECTED, TREATED, PAINTED, COATED, AND/OR ISOLATED AS REQUIRED IN THE APPLICABLE SECTIONS OF THE 2018 INTERNATIONAL BUILDING CODE AND REFERENCED DESIGN SPECIFICATIONS.
- GLASS MEETS THE REQUIREMENTS OF ASTM E 1300 GLASS CHARTS. SEE SHEETS 3 & 4 FOR GLAZING DETAILS.

TABLE OF CONTENTS	
SHEET	SHEET DESCRIPTION
1	INSTALLATION & GENERAL NOTES
2	ELEVATION & ANCHOR LAYOUT
3	SMI GLAZING DETAILS
4	LMI GLAZING DETAILS
5	LIGHT MULLION TABLES
6	MEDIUM MULLION TABLES
7	HEAVY MULLION TABLES
8	CORNER MULLION TABLES
9	TYPE A & B ANCHOR TABLES
10	TYPE C, D & E ANCHOR TABLES
11	DOOR MULLION TABLE (1)
12	DOOR MULLION TABLE (2)
13	VERTICAL SECTIONS & ANCHOR DESCRIPTIONS
14	VERTICAL SECTIONS
15	HORIZONTAL SECTIONS
16	HORIZONTAL SECTIONS
17	COMPONENTS & BILL OF MATERIALS
18	COMPONENTS

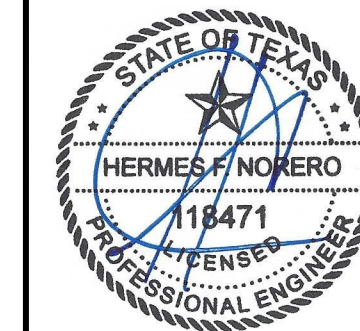
INSTRUCTIONS FOR USE:

- DETERMINE DESIGN WIND LOAD REQUIREMENTS BASED ON WIND VELOCITY, BLDG, HEIGHT, WIND ZONE USING APPLICABLE ASCE 7 STANDARD.
- SEE CHARTS ON SHEETS 3 & 4 FOR DESIGN LOAD CAPACITY OF DESIRED GLASS SIZE.
- CHECK MULLION CAPACITY FOR A GIVEN SPACING AND HEIGHT USING CHARTS ON SHEET 5, 6, 7, & 8 FOR STORE FRONT MULLION AND SHEETS 11 & 12 FOR DOOR MULLION, THE CAPACITY SHOULD EXCEED THE DESIGN LOAD.
- USING CHART ON SHEET 9 & 10 SELECT ANCHOR OPTION WITH DESIGN RATING MORE THAN DESIGN LOAD SPECIFIED IN STEP 1 ABOVE.
- THE LOWEST VALUE RESULTING FROM STEP 2, 3 AND 4 SHALL APPLY TO ENTIRE SYSTEM.

TITLE: YHS 50 FS ALUMINUM STOREFRONT SYSTEM - OUTSIDE GLAZED (IMPACT)
INSTALLATION & GENERAL NOTES
PREPARED BY: BUILDING DROPS, INC.
398 E. DANIA BEACH BLVD., STE. 338
DANIA BEACH, FL 33004
PH: (954)399-8478
FAX: (954)744-4738
WEB: www.buildingdrops.com

REMARKS	BY	DATE

THE INSTALLATION DETAILS DESCRIBED HEREIN ARE GENERIC AND MAY NOT REFLECT ACTUAL CONDITIONS FOR A SPECIFIC SITE. IF SITE CONDITIONS CAUSE INSTALLATION TO DEVIATE FROM THE REQUIREMENTS DETAILED HEREIN, A LICENSED ENGINEER OR ARCHITECT SHALL PREPARE SITE SPECIFIC DOCUMENTS FOR USE WITH THIS DOCUMENT.



HERMES F. NORERO, P.E.
TEXAS P.E. No. 118471
BUILDING DROPS, INC.
398 E. DANIA BEACH BLVD. # 338
DANIA BEACH, FL 33004
TBPE FIRM No. 13734

DATE: 09.20.21
DWG. BY: MS
CHK. BY: HFN
SCALE: NTS
DWG. #: YKK282
SHEET:

1

s:\projects\ykk_ap_america, inc.\tdi-21-0919 - tdi_submittal - revision cwsf 51, cwsf 52, cwsf 53\dwgs\ykk282_yhs 50 fs og_wr3.dwg 10/27/2021 1:36 PM

TITLE: YHS 50 FS ALUMINUM STOREFRONT SYSTEM - OUTSIDE GLAZED (IMPACT)

ELEVATION & ANCHOR LAYOUT

PREPARED BY: **BUILDING DROPS, INC.**
 398 E. DANIA BEACH BLVD., STE. 338
 DANIA BEACH, FL 33004
 PH: (954)399-8478
 FAX: (954)744-4738
 WEB: www.buildingdrops.com



REMARKS	BY	DATE

THE INSTALLATION DETAILS DESCRIBED HEREIN ARE GENERIC AND MAY NOT REFLECT ACTUAL CONDITIONS FOR A SPECIFIC SITE. IF SITE CONDITIONS CAUSE INSTALLATION TO DEVIATE FROM THE REQUIREMENTS DETAILED HEREIN, A LICENSED ENGINEER OR ARCHITECT SHALL PREPARE SITE SPECIFIC DOCUMENTS FOR USE WITH THIS DOCUMENT.



HERMES F. NORERO, P.E.
 TEXAS P.E. No 118471
 BUILDING DROPS, INC
 398 E. DANIA BEACH BLVD. # 338
 DANIA BEACH, FL 33004
 TBPE FIRM No. 13734

DATE: **09.20.21**

DWG. BY: **MS**

CHK. BY: **HFN**

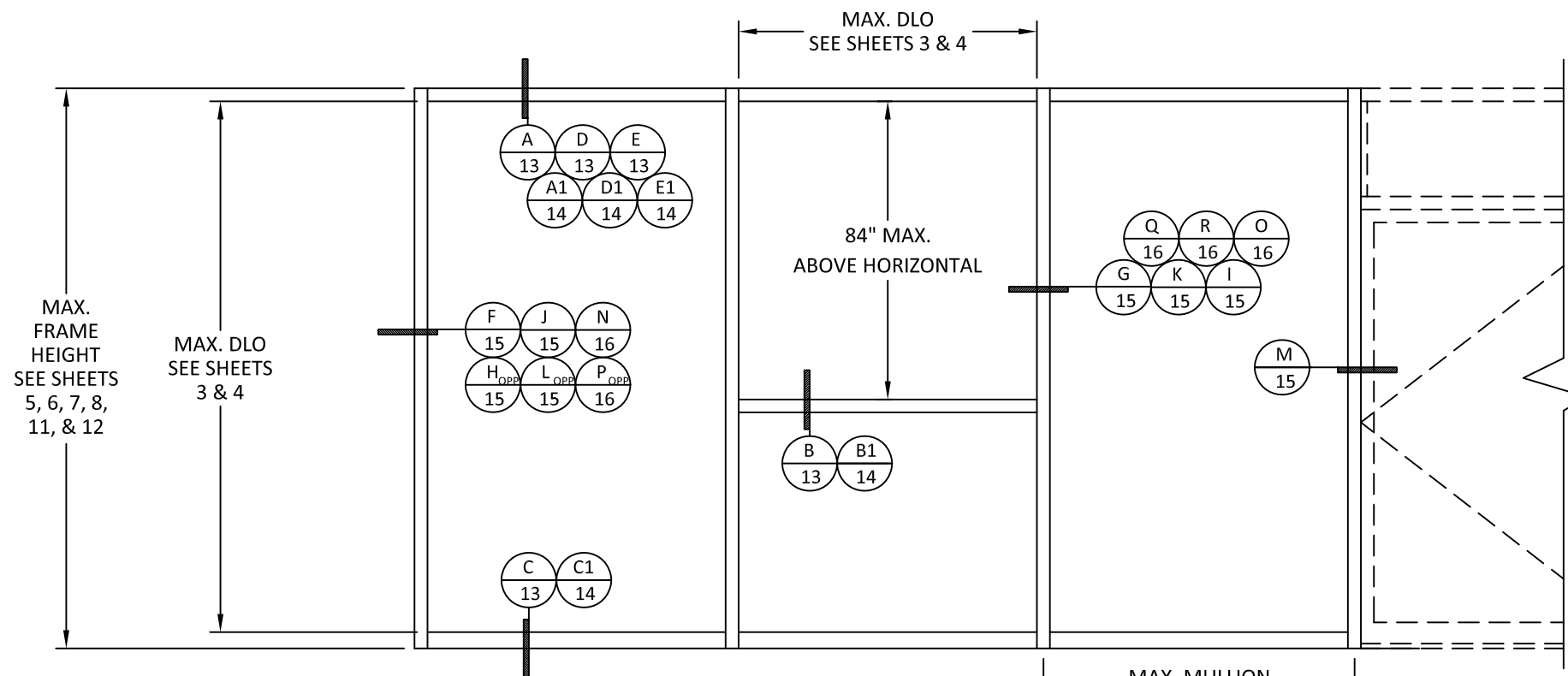
SCALE: **NTS**

DWG. #: **YKK282**

SHEET:

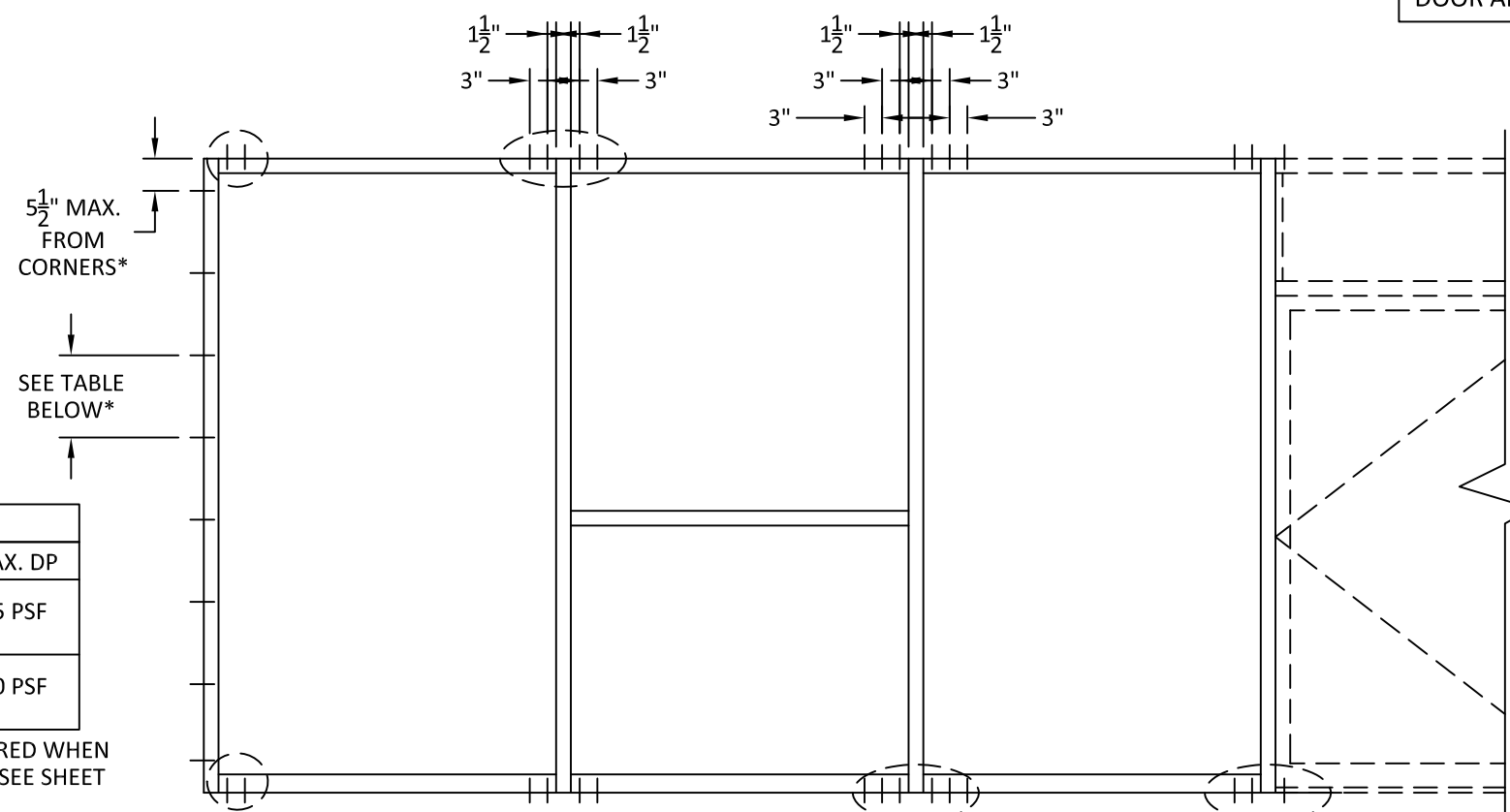
2

OF 18

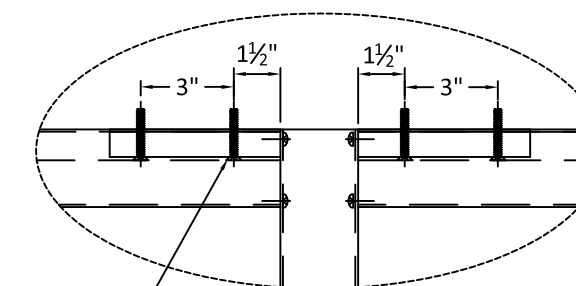


ELEVATION
TYPICAL YHS 50 FS STOREFRONT

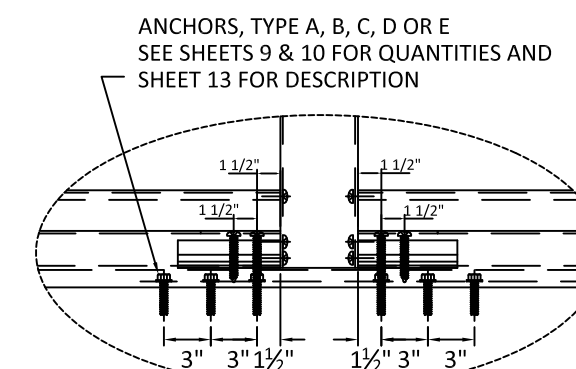
SEE SEPARATE DOOR APPROVAL FOR DOOR RATING & DETAILS.
 LOWER DESIGN PRESSURE FROM STOREFRONT OR DOOR APPROVAL WILL APPLY TO ENTIRE SYSTEM.



TYPICAL ANCHOR LAYOUT



ANCHORS, TYPE A, B, C, D OR E
 SEE SHEETS 9 & 10 FOR QUANTITIES AND SHEET 13 FOR DESCRIPTION



ANCHORS, TYPE A, B, C, D OR E
 SEE SHEETS 9 & 10 FOR QUANTITIES AND SHEET 13 FOR DESCRIPTION

JAMB ANCHOR SPACING*		
ANCHOR TYPE	MAX. SPACING	MAX. DP
A OR B	19"	65 PSF
C, E OR D	19"	
A OR B	13.75"	90 PSF
C, E OR D	13.5"	

*NOTE: JAMB ANCHORS ARE ONLY REQUIRED WHEN USING "HEAVY" JAMB CONFIGURATIONS, SEE SHEET 16 FOR HEAVY JAMB DETAILS

MAX. FRAME HEIGHT
 SEE SHEETS 5, 6, 7, 8, 11, & 12

MAX. DLO
 SEE SHEETS 3 & 4

MAX. DLO
 SEE SHEETS 3 & 4

84" MAX.
 ABOVE HORIZONTAL

MAX. MULLION SPACING
 SEE SHEET 5, 6, 7, & 8

5 1/2" MAX.
 FROM CORNERS*

SEE TABLE BELOW*

FOR DOOR ADJACENT MULLION ANCHOR REQUIREMENTS SEE SHEETS 11 & 12

10/27/2021 1:37 PM
 s:\projects\ykk_ap_america, inc.\tdi-21-0919 - tdi_submittal - revision cwsf 51, cwsf 52, cwsf 53\dwgs\ykk282_yhs 50 fs og_wr3.dwg

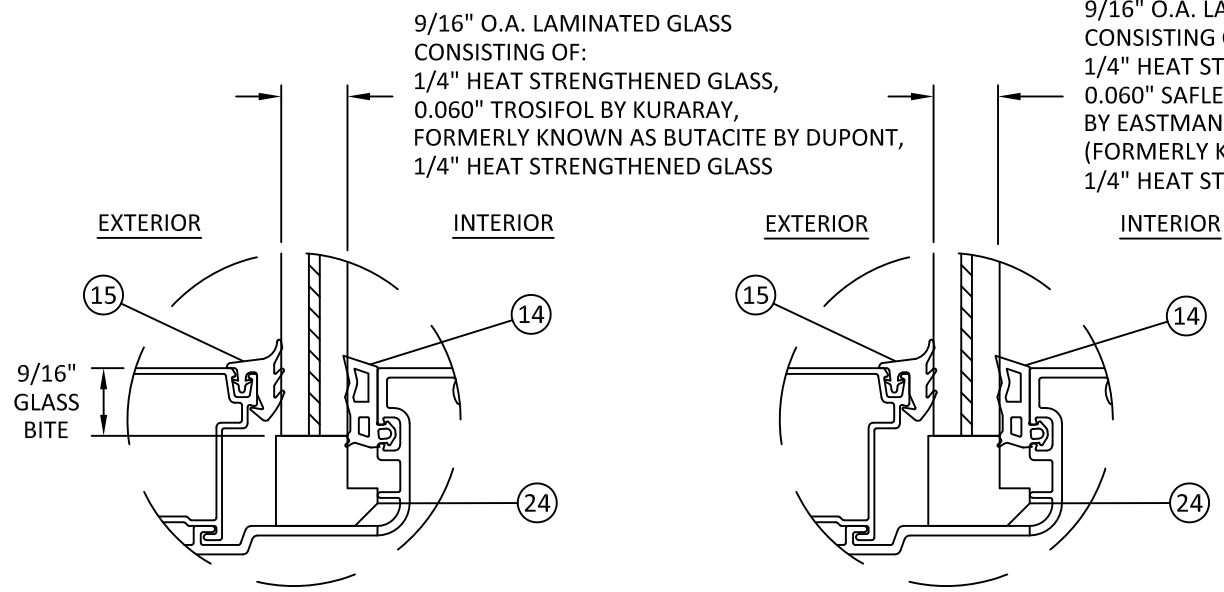
GLASS TYPES

SMALL MISSILE IMPACT ONLY

GLASS LOAD CAPACITY (PSF)			GLASS LOAD CAPACITY (PSF)			GLASS LOAD CAPACITY (PSF)			
NOMINAL DIMS.		GLASS TYPE 'A & B'	NOMINAL DIMS.		GLASS TYPE 'A & B'	NOMINAL DIMS.		GLASS TYPE 'A & B'	
D.L.O. WIDTH 'a'	D.L.O. HEIGHT 'b'	EXT. (+) INT. (-)	D.L.O. WIDTH 'a'	D.L.O. HEIGHT 'b'	EXT. (+) INT. (-)	D.L.O. WIDTH 'a'	D.L.O. HEIGHT 'b'	EXT. (+) INT. (-)	
27.5	54.375	90.0	27.5	78.375	90.0	27.5	102.375	90.0	
33.5		90.0	33.5		90.0	33.5		90.0	
39.5		90.0	39.5		90.0	39.5		90.0	
45.5		90.0	45.5		90.0	45.5		90.0	
51.5		90.0	51.5		90.0	51.5		90.0	
57.5		90.0	57.5		90.0	57.5		90.0	
63.5	60.375	90.0	63.5	84.375	81.5	63.5	108.375	81.5	
69.5		90.0	69.5		90.0	74.5		69.5	90.0
27.5		90.0	27.5		90.0	90.0		27.5	90.0
33.5		90.0	33.5		90.0	90.0		33.5	90.0
39.5		90.0	39.5		90.0	90.0		39.5	90.0
45.5		90.0	45.5		90.0	90.0		45.5	90.0
51.5	66.375	90.0	51.5	90.375	90.0	51.5	114.375	90.0	
57.5		90.0	57.5		90.0	90.0		57.5	90.0
63.5		90.0	63.5		90.0	90.0		63.5	90.0
69.5		90.0	69.5		90.0	90.0		69.5	90.0
27.5		90.0	27.5		90.0	90.0		27.5	90.0
33.5		90.0	33.5		90.0	90.0		33.5	90.0
39.5	72.375	90.0	39.5	96.375	90.0	39.5	120.375	90.0	
45.5		90.0	45.5		90.0	90.0		45.5	90.0
51.5		90.0	51.5		90.0	90.0		51.5	90.0
57.5		90.0	57.5		90.0	90.0		57.5	90.0
63.5		81.5	63.5		81.5	90.0		63.5	90.0
69.5		74.5	69.5		77.8	90.0		69.5	90.0

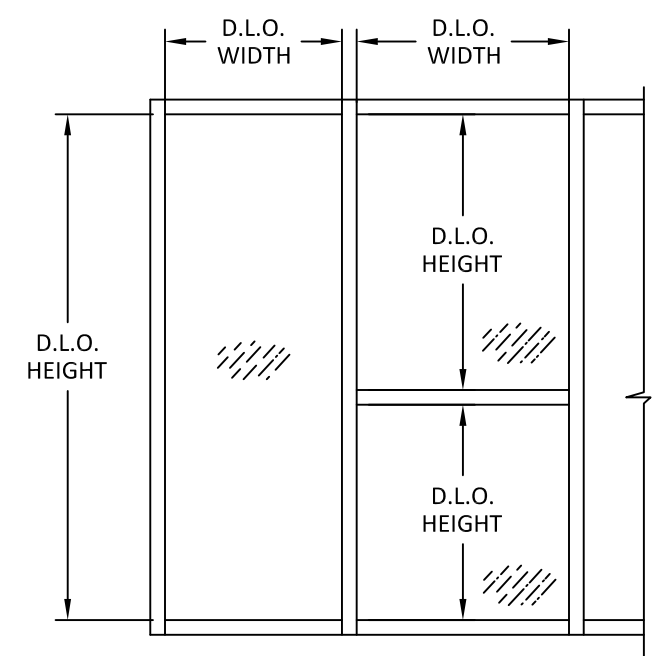
DAYLITE OPENING DIMENSIONS:
 DAYLITE OPENING WIDTH:
 • NOMINAL PANEL WIDTH - 2.500"
 DAYLITE OPENING HEIGHT:
 • FRAME HEIGHT - 5.625"

NOTE:
 GLASS CAPACITIES ON THIS SHEET ARE BASED ON ASTM E1300 (3 SEC. GUSTS) AND CHAPTER 17 OF THE IBC FOR SIZES OTHER THAN TESTED.



GLAZING DETAIL A
(DRY GLAZED)

GLAZING DETAIL B
(DRY GLAZED)



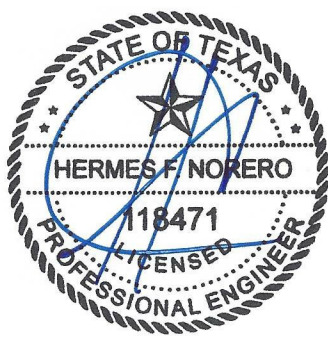
YKK AP AMERICA, INC.
 1229 HWY 441 BYPASS
 DUBLIN, GEORGIA 31021
 PH: (478)277-1955 FAX: (678)838-6001

TITLE: YHS 50 FS ALUMINUM STOREFRONT SYSTEM - OUTSIDE GLAZED (IMPACT)
SMI GLAZING DETAILS

PREPARED BY: BUILDING DROPS, INC.
 398 E. DANIA BEACH BLVD., STE. 338
 DANIA BEACH, FL 33004
 PH: (954)399-8478
 FAX: (954)744-4738
 WEB: www.buildingdrops.com

REMARKS	BY	DATE

THE INSTALLATION DETAILS DESCRIBED HEREIN ARE GENERIC AND MAY NOT REFLECT ACTUAL CONDITIONS FOR A SPECIFIC SITE. IF SITE CONDITIONS CAUSE INSTALLATION TO DEVIATE FROM THE REQUIREMENTS DETAILED HEREIN, A LICENSED ENGINEER OR ARCHITECT SHALL PREPARE SITE SPECIFIC DOCUMENTS FOR USE WITH THIS DOCUMENT.



HERMES F. NORERO, P.E.
 TEXAS P.E. No. 118471
 BUILDING DROPS, INC.
 398 E. DANIA BEACH BLVD. # 338
 DANIA BEACH, FL 33004
 TBPE FIRM No. 13734

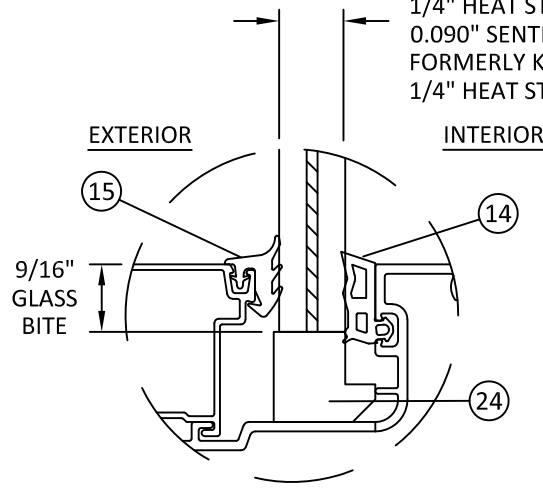
DATE: 09.20.21
DWG. BY: MS
CHK. BY: HFN
SCALE: NTS
DWG. #: YKK282
SHEET:

10/27/2021 1:37 PM s:\projects\ykk_ap_america, inc.\tdi-21-0919 - tdi submittal - revision cwsf 51, cwsf 52, cwsf 53\dwg\ykk282_yhs 50 fs og_wr3.dwg

GLASS TYPES

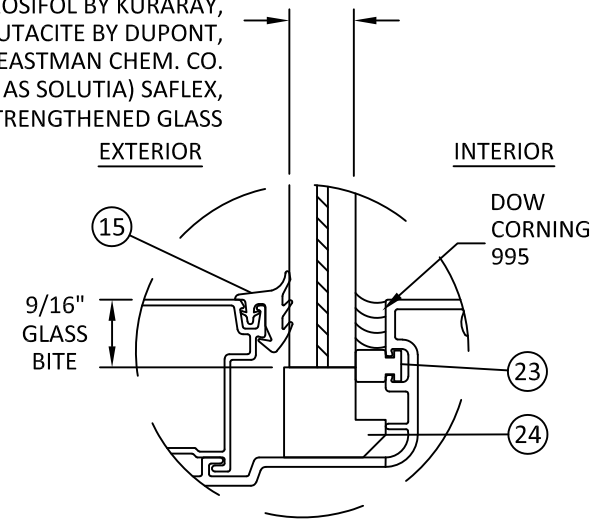
LARGE & SMALL MISSILE IMPACT

9/16" O.A. LAMINATED GLASS
 CONSISTING OF:
 1/4" HEAT STRENGTHENED GLASS,
 0.090" SENTRYGLAS BY KURARAY,
 FORMERLY KNOWN AS SGP BY DUPONT,
 1/4" HEAT STRENGTHENED GLASS



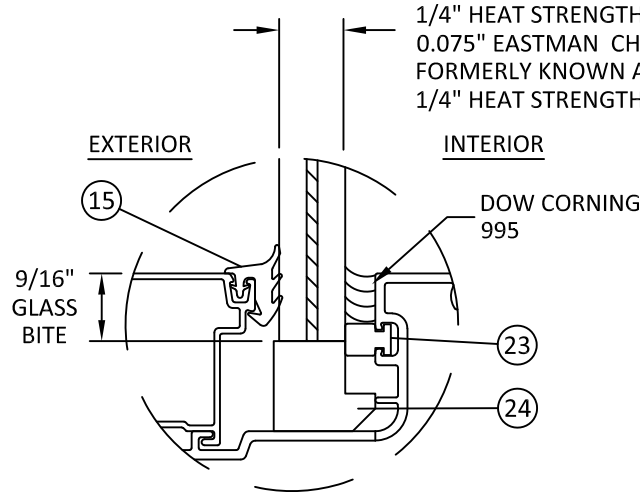
GLAZING DETAIL C
(DRY GLAZED)

9/16" O.A. LAMINATED GLASS
 CONSISTING OF:
 1/4" HEAT STRENGTHENED GLASS,
 0.090" TROSFOL BY KURARAY,
 FORMERLY KNOWN AS BUTACITE BY DUPONT,
 OR 0.090" EASTMAN CHEM. CO.
 (FORMERLY KNOWN AS SOLUTIA) SAFLEX,
 1/4" HEAT STRENGTHENED GLASS



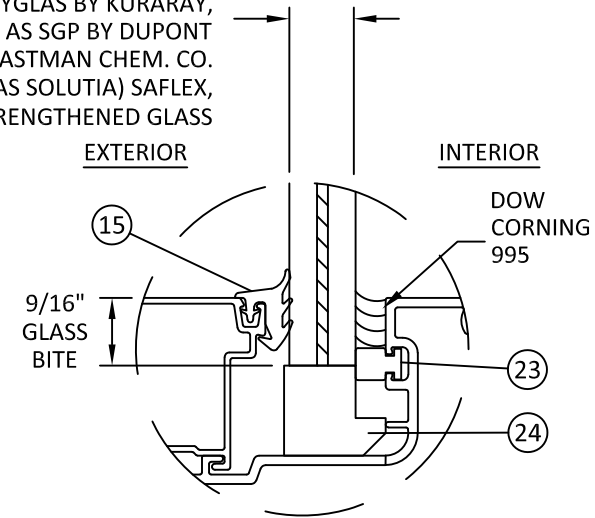
GLAZING DETAIL D
(WET GLAZED)

9/16" O.A. LAMINATED GLASS
 CONSISTING OF:
 1/4" HEAT STRENGTHENED GLASS,
 0.075" EASTMAN CHEMICAL CO. VANCEVA,
 FORMERLY KNOWN AS SAFLEX CP BY SOLUTIA
 1/4" HEAT STRENGTHENED GLASS



GLAZING DETAIL E
(WET GLAZED)

9/16" O.A. LAMINATED GLASS
 CONSISTING OF:
 1/4" HEAT STRENGTHENED GLASS,
 0.090" SENTRYGLAS BY KURARAY,
 FORMERLY KNOWN AS SGP BY DUPONT
 OR 0.100" EASTMAN CHEM. CO.
 (FORMERLY KNOWN AS SOLUTIA) SAFLEX,
 1/4" HEAT STRENGTHENED GLASS



GLAZING DETAIL F
(WET GLAZED)

GLASS LOAD CAPACITY (PSF)								
NOMINAL DIMS.		GLASS TYPE 'C'	GLASS TYPE 'D'	GLASS TYPE 'E'		GLASS TYPE 'F'		
D.L.O. WIDTH 'a'	D.L.O. HEIGHT 'b'	EXT. (+) INT. (-)	EXT. (+) INT. (-)	EXT. (+) INT. (-)	EXT. (+) INT. (-)	EXT. (+) INT. (-)	EXT. (+) INT. (-)	
27.5	54.375	70.0	50.0	70.0	90.0	70.0	90.0	
33.5		70.0	50.0	70.0	90.0	70.0	90.0	
39.5		70.0	50.0	70.0	90.0	59.4	76.3	
45.5		70.0	50.0	70.0	90.0	51.5	66.3	
51.5		70.0	44.2	70.0	90.0	45.5	58.5	
57.5		70.0	41.8	70.0	90.0	43.1	55.4	
63.5	60.375	70.0	50.0	70.0	90.0	70.0	90.0	
33.5		70.0	50.0	70.0	90.0	70.0	90.0	
39.5		70.0	50.0	70.0	90.0	59.4	76.3	
45.5		70.0	50.0	70.0	90.0	51.5	66.3	
51.5		70.0	44.2	70.0	90.0	45.5	58.5	
57.5		70.0	39.6	70.0	90.0	40.8	52.4	
63.5	66.375	66.7	37.7	66.7	85.7	38.8	49.9	
69.5		66.7	37.7	66.7	85.7	38.8	49.9	
27.5		72.375	70.0	50.0	70.0	90.0	70.0	90.0
33.5			70.0	50.0	70.0	90.0	70.0	90.0
39.5			70.0	50.0	70.0	90.0	59.4	76.3
45.5			70.0	50.0	70.0	90.0	51.5	66.3
51.5	70.0		44.2	70.0	90.0	45.5	58.5	
57.5	70.0		39.6	70.0	90.0	40.8	52.4	
63.5	78.375	63.4	35.8	63.4	81.5	36.9	47.5	
69.5		60.6	34.3	60.6	78.0	35.3	45.4	
27.5		84.375	70.0	50.0	70.0	90.0	70.0	90.0
33.5			70.0	50.0	70.0	90.0	70.0	90.0
39.5			70.0	50.0	70.0	90.0	59.4	76.3
45.5			70.0	50.0	70.0	90.0	51.5	66.3
51.5	70.0		44.2	70.0	90.0	45.5	58.5	
57.5	70.0		39.6	70.0	90.0	40.8	52.4	
63.5	90.375	63.4	-	63.4	81.5	-	-	
69.5		57.9	-	57.9	74.5	-	-	
27.5		96.375	70.0	50.0	70.0	90.0	70.0	90.0
33.5			70.0	50.0	70.0	90.0	70.0	90.0
39.5			70.0	50.0	70.0	90.0	59.4	76.3
45.5			70.0	50.0	70.0	90.0	51.5	66.3
51.5	70.0		44.2	70.0	90.0	45.5	58.5	
57.5	70.0		39.6	70.0	90.0	40.8	52.4	
63.5	102.375	63.4	-	63.4	81.5	-	-	
69.5		57.9	-	57.9	74.5	-	-	
27.5		108.375	70.0	50.0	70.0	90.0	70.0	90.0
33.5			70.0	50.0	70.0	90.0	70.0	90.0
39.5			70.0	50.0	70.0	90.0	59.4	76.3
45.5			70.0	50.0	70.0	90.0	51.5	66.3
51.5	70.0		44.2	70.0	90.0	45.5	58.5	
57.5	70.0		39.6	70.0	90.0	40.8	52.4	
63.5	114.375	63.4	-	63.4	81.5	-	-	
69.5		57.9	-	57.9	74.5	-	-	
27.5		120.375	70.0	50.0	70.0	90.0	70.0	90.0
33.5			70.0	50.0	70.0	90.0	70.0	90.0
39.5			70.0	50.0	70.0	90.0	59.4	76.3
45.5			70.0	50.0	70.0	90.0	51.5	66.3
51.5	70.0		44.2	70.0	90.0	45.5	58.5	
57.5	70.0		39.6	70.0	90.0	40.8	52.4	
63.5	126.375	63.4	-	63.4	81.5	-	-	
69.5		57.9	-	57.9	74.5	-	-	
27.5		132.375	70.0	50.0	70.0	90.0	70.0	90.0
33.5			70.0	50.0	70.0	90.0	70.0	90.0
39.5			70.0	50.0	70.0	90.0	59.4	76.3
45.5			70.0	50.0	70.0	90.0	51.5	66.3
51.5	70.0		44.2	70.0	90.0	45.5	58.5	
57.5	70.0		39.6	70.0	90.0	40.8	52.4	
63.5	138.375	63.4	-	63.4	81.5	-	-	
69.5		57.9	-	57.9	74.5	-	-	

GLASS LOAD CAPACITY (PSF)								
NOMINAL DIMS.		GLASS TYPE 'C'	GLASS TYPE 'D'	GLASS TYPE 'E'		GLASS TYPE 'F'		
D.L.O. WIDTH 'a'	D.L.O. HEIGHT 'b'	EXT. (+) INT. (-)	EXT. (+) INT. (-)	EXT. (+) INT. (-)	EXT. (+) INT. (-)	EXT. (+) INT. (-)	EXT. (+) INT. (-)	
27.5	90.375	70.0	50.0	70.0	90.0	70.0	90.0	
33.5		70.0	50.0	70.0	90.0	70.0	90.0	
39.5		70.0	50.0	70.0	90.0	59.4	76.3	
45.5		70.0	50.0	70.0	90.0	51.5	66.3	
51.5		70.0	44.2	70.0	90.0	45.5	58.5	
57.5		70.0	39.6	70.0	90.0	40.8	52.4	
63.5	96.375	63.4	-	63.4	81.5	-	-	
69.5		57.9	-	57.9	74.5	-	-	
27.5		102.375	70.0	50.0	70.0	90.0	70.0	90.0
33.5			70.0	50.0	70.0	90.0	70.0	90.0
39.5			70.0	50.0	70.0	90.0	59.4	76.3
45.5			70.0	50.0	70.0	90.0	51.5	66.3
51.5	70.0		44.2	70.0	90.0	45.5	58.5	
57.5	70.0		39.6	70.0	90.0	40.8	52.4	
63.5	108.375	63.4	-	63.4	81.5	-	-	
69.5		57.9	-	57.9	74.5	-	-	
27.5		114.375	70.0	50.0	70.0	90.0	70.0	90.0
33.5			70.0	50.0	70.0	90.0	70.0	90.0
39.5			70.0	50.0	70.0	90.0	59.4	76.3
45.5			70.0	50.0	70.0	90.0	51.5	66.3
51.5	70.0		44.2	70.0	90.0	45.5	58.5	
57.5	70.0		39.6	70.0	90.0	40.8	52.4	
63.5	120.375	63.4	-	63.4	81.5	-	-	
69.5		57.9	-	57.9	74.5	-	-	
27.5		126.375	70.0	50.0	70.0	90.0	70.0	90.0
33.5			70.0	50.0	70.0	90.0	70.0	90.0
39.5			70.0	50.0	70.0	90.0	59.4	76.3
45.5			70.0	50.0	70.0	90.0	51.5	66.3
51.5	70.0		44.2	70.0	90.0	45.5	58.5	
57.5	70.0		39.6	70.0	90.0	40.8	52.4	
63.5	132.375	63.4	-	63.4	81.5	-	-	
69.5		57.9	-	57.9	74.5	-	-	
27.5		138.375	70.0	50.0	70.0	90.0	70.0	90.0
33.5			70.0	50.0	70.0	90.0	70.0	90.0
39.5			70.0	50.0	70.0	90.0	59.4	76.3
45.5			70.0	50.0	70.0	90.0	51.5	66.3
51.5	70.0		44.2	70.0	90.0	45.5	58.5	
57.5	70.0		39.6	70.0	90.0	40.8	52.4	

DAYLITE OPENING DIMENSIONS:
 DAYLITE OPENING WIDTH:
 • NOMINAL PANEL WIDTH - 2.500"
 DAYLITE OPENING HEIGHT:
 • FRAME HEIGHT - 5.625"

NOTE:
 GLASS CAPACITIES ON THIS SHEET ARE
 BASED ON ASTM E1300 (3 SEC. GUSTS)
 AND CHAPTER 17 OF THE IBC FOR SIZES
 OTHER THAN TESTED.



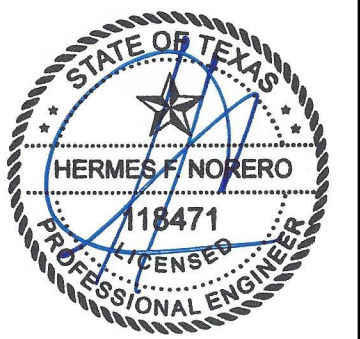
YKK AP AMERICA, INC.
 1229 HWY 441 BYPASS
 DUBLIN, GEORGIA 31021
 PH: (478)277-1955 FAX: (678)838-6001

TITLE: YHS 50 FS ALUMINUM STOREFRONT SYSTEM - OUTSIDE GLAZED (IMPACT)

PREPARED BY: BUILDING DROPS, INC.
 398 E. DANIA BEACH BLVD., STE. 338
 DANIA BEACH, FL 33004
 PH: (954)399-8478
 FAX: (954)744-4738
 WEB: www.buildingdrops.com

REMARKS	BY	DATE

THE INSTALLATION DETAILS DESCRIBED HEREIN ARE GENERIC AND MAY NOT REFLECT ACTUAL CONDITIONS FOR A SPECIFIC SITE. IF SITE CONDITIONS CAUSE INSTALLATION TO DEVIATE FROM THE REQUIREMENTS DETAILED HEREIN, A LICENSED ENGINEER OR ARCHITECT SHALL PREPARE SITE SPECIFIC DOCUMENTS FOR USE WITH THIS DOCUMENT.



HERMES F. NORERO, P.E.
 TEXAS P.E. No. 118471
 BUILDING DROPS, INC
 398 E. DANIA BEACH BLVD. # 338
 DANIA BEACH, FL 33004
 TBPE FIRM No. 13734

DATE:	09.20.21	
DWG. BY:	MS	CHK. BY: HFN
SCALE:	NTS	
DWG. #:	YKK282	
SHEET:	4	

MULLION LOAD TABLES

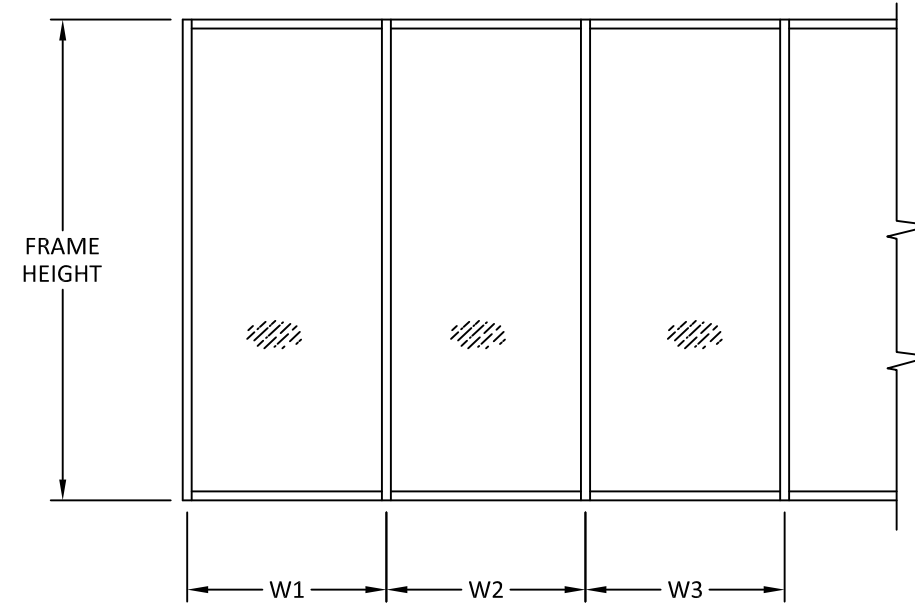
LIGHT CONFIGURATION



YKK AP AMERICA, INC.
1229 HWY 441 BYPASS
DUBLIN, GEORGIA 31021
PH: (478)277-1955 FAX: (678)838-6001

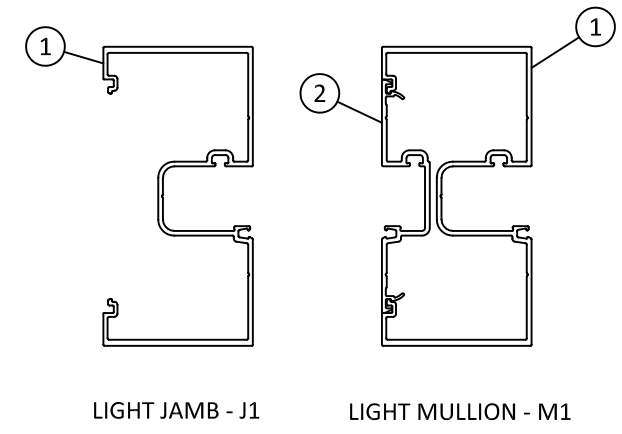
DESIGN LOAD CAPACITY - PSF			
NOMINAL DIMS.		LIGHT JAMB - J1	LIGHT MULLION - M1
WIDTH (W)	FRAME HEIGHT	EXT. (+) INT. (-)	EXT. (+) INT. (-)
30	72	50.0	50.0
33		50.0	50.0
36		50.0	50.0
39		50.0	50.0
42		50.0	50.0
45		50.0	50.0
48		50.0	50.0
51		50.0	50.0
54		50.0	50.0
57		50.0	50.0
60		50.0	50.0
63		50.0	50.0
66		50.0	50.0
69		50.0	50.0
72	50.0	50.0	
30	78	50.0	50.0
33		50.0	50.0
36		50.0	50.0
39		50.0	50.0
42		50.0	50.0
45		50.0	50.0
48		50.0	50.0
51		50.0	50.0
54		50.0	50.0
57		50.0	50.0
60		50.0	50.0
63		50.0	50.0
66		50.0	50.0
69		50.0	50.0
72	50.0	50.0	
30	84	50.0	50.0
33		50.0	50.0
36		50.0	50.0
39		50.0	50.0
42		50.0	50.0
45		50.0	50.0
48		50.0	50.0
51		50.0	50.0
54		50.0	50.0
57		50.0	50.0
60		50.0	50.0

DESIGN LOAD CAPACITY - PSF			
NOMINAL DIMS.		LIGHT JAMB - J1	LIGHT MULLION - M1
WIDTH (W)	FRAME HEIGHT	EXT. (+) INT. (-)	EXT. (+) INT. (-)
30	90	50.0	50.0
33		50.0	50.0
36		50.0	50.0
39		50.0	50.0
42		50.0	50.0
45		50.0	50.0
48		50.0	50.0
51		50.0	50.0
54		50.0	50.0
57		50.0	47.6
60		50.0	50.0
63		50.0	50.0
66		50.0	50.0
69		50.0	50.0
72	50.0	50.0	
30	96	50.0	50.0
33		50.0	50.0
36		50.0	50.0
39		50.0	50.0
42		50.0	50.0
45		50.0	50.0
48		50.0	49.7
51		50.0	46.8
54		50.0	44.2
60		50.0	50.0
63		50.0	50.0
66		50.0	50.0
69		50.0	50.0
72		50.0	50.0
30	102	50.0	50.0
33		50.0	50.0
36		50.0	50.0
39		50.0	50.0
42		50.0	50.0
45		50.0	47.0
48		50.0	44.0
51		50.0	41.5
60		50.0	50.0
63		50.0	50.0
66		50.0	50.0
69		50.0	50.0
72		50.0	50.0
75		50.0	50.0
30	108	50.0	50.0
33		50.0	50.0
36		50.0	50.0
39		50.0	48.4
42		50.0	44.9
45		50.0	41.9
48		50.0	39.3



WIDTH (W) = W1 (JAMB)

WIDTH (W) = $\frac{W2 + W3}{2}$ (MULLION)



LIGHT CONFIGURATION

TITLE: YHS 50 FS ALUMINUM STOREFRONT SYSTEM - OUTSIDE GLAZED (IMPACT)
LIGHT MULL TABLES

PREPARED BY: BUILDING DROPS, INC.
398 E. DANIA BEACH BLVD., STE. 338
DANIA BEACH, FL 33004
PH: (954)399-8478
FAX: (954)744-4738
WEB: www.buildingdrops.com

REMARKS	BY	DATE

THE INSTALLATION DETAILS DESCRIBED HEREIN ARE GENERIC AND MAY NOT REFLECT ACTUAL CONDITIONS FOR A SPECIFIC SITE. IF SITE CONDITIONS CAUSE INSTALLATION TO DEVIATE FROM THE REQUIREMENTS DETAILED HEREIN, A LICENSED ENGINEER OR ARCHITECT SHALL PREPARE SITE SPECIFIC DOCUMENTS FOR USE WITH THIS DOCUMENT.



HERMES F. NORERO, P.E.
TEXAS P.E. No. 118471
BUILDING DROPS, INC.
398 E. DANIA BEACH BLVD. # 338
DANIA BEACH, FL 33004
TBPE FIRM No. 13734

DATE:	09.20.21	
DWG. BY:	MS	CHK. BY: HFN
SCALE:	NTS	
DWG. #:	YKK282	
SHEET:	5	

10/27/2021 1:37 PM

s:\projects\ykk_ap_america, inc\tdi-21-0919 - tdi submittal - revision cwsf 51, cwsf 52, cwsf 53\dwgs\ykk282_yms 50 fs og_wr3.dwg

MULLION LOAD TABLES

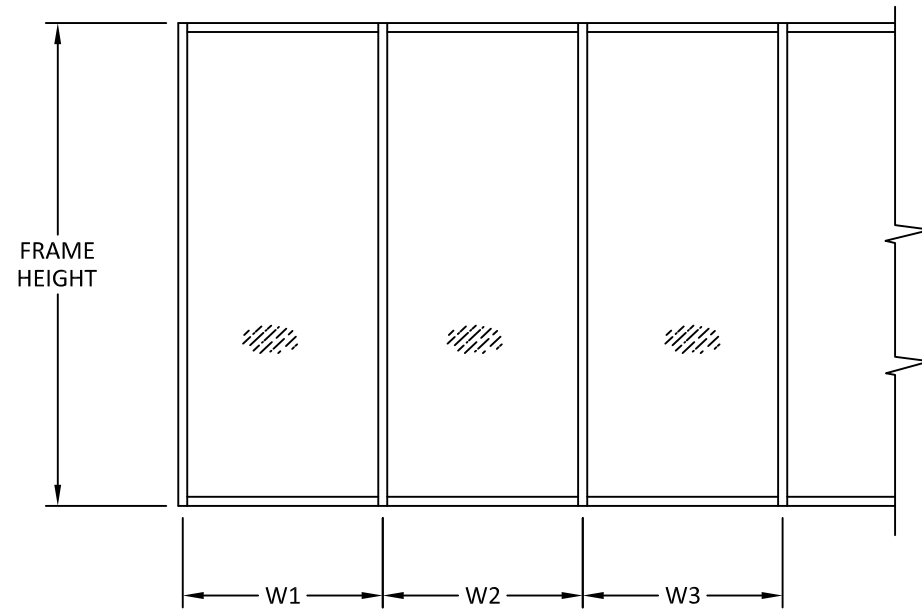
MEDIUM CONFIGURATION



YKK AP AMERICA, INC.
1229 HWY 441 BYPASS
DUBLIN, GEORGIA 31021
PH: (478)277-1955 FAX: (678)838-6001

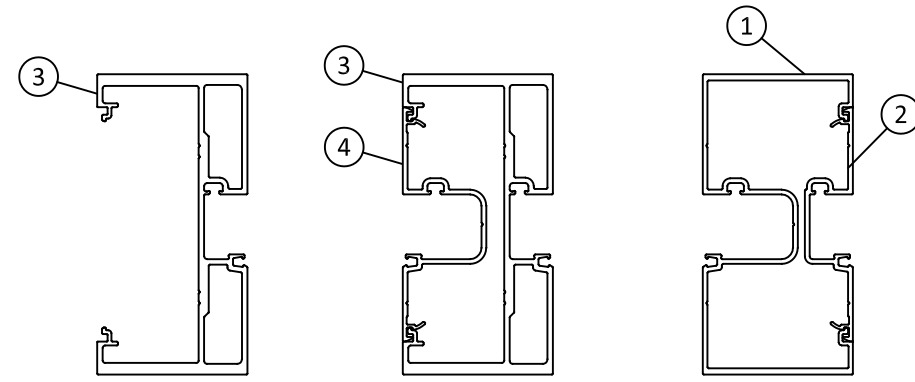
DESIGN LOAD CAPACITY - PSF				
NOMINAL DIMS.		MEDIUM JAMB - J2	MEDIUM JAMB - J3	MEDIUM MULLION - M2
WIDTH (W)	FRAME HEIGHT	EXT. (+) INT. (-)	EXT. (+) INT. (-)	EXT. (+) INT. (-)
30	72	70.0	70.0	70.0
33		70.0	70.0	70.0
36		70.0	70.0	70.0
39		70.0	70.0	70.0
42		70.0	70.0	70.0
45		70.0	70.0	70.0
48		70.0	70.0	70.0
51		70.0	70.0	70.0
54		70.0	70.0	70.0
57		70.0	70.0	70.0
60		70.0	70.0	70.0
63		70.0	70.0	70.0
66		70.0	70.0	70.0
69		70.0	70.0	70.0
72	70.0	70.0	70.0	
30	78	70.0	70.0	70.0
33		70.0	70.0	70.0
36		70.0	70.0	70.0
39		70.0	70.0	70.0
42		70.0	70.0	70.0
45		70.0	70.0	70.0
48		70.0	70.0	70.0
51		70.0	70.0	70.0
54		70.0	70.0	70.0
57		70.0	70.0	70.0
60		70.0	70.0	70.0
63		70.0	70.0	70.0
66		70.0	70.0	70.0
69		70.0	70.0	70.0
72	70.0	70.0	70.0	
30	84	70.0	70.0	70.0
33		70.0	70.0	70.0
36		70.0	70.0	70.0
39		70.0	70.0	70.0
42		70.0	70.0	70.0
45		70.0	70.0	70.0
48		70.0	70.0	70.0
51		70.0	70.0	70.0
54		70.0	70.0	70.0
57		70.0	70.0	70.0
60		70.0	70.0	70.0
63		70.0	70.0	70.0
66		70.0	70.0	70.0
69		70.0	70.0	70.0
72	70.0	70.0	70.0	

DESIGN LOAD CAPACITY - PSF				
NOMINAL DIMS.		MEDIUM JAMB - J2	MEDIUM JAMB - J3	MEDIUM MULLION - M2
WIDTH (W)	FRAME HEIGHT	EXT. (+) INT. (-)	EXT. (+) INT. (-)	EXT. (+) INT. (-)
30	90	70.0	70.0	70.0
33		70.0	70.0	70.0
36		70.0	70.0	70.0
39		70.0	70.0	70.0
42		70.0	70.0	70.0
45		70.0	70.0	70.0
48		70.0	70.0	70.0
51		70.0	70.0	70.0
54		70.0	70.0	70.0
57		70.0	70.0	70.0
60		70.0	70.0	70.0
63		70.0	70.0	70.0
66		70.0	70.0	69.3
69		68.7	70.0	66.3
72	65.9	70.0	63.6	
30	96	70.0	70.0	70.0
33		70.0	70.0	70.0
36		70.0	70.0	70.0
39		70.0	70.0	70.0
42		70.0	70.0	70.0
45		70.0	70.0	70.0
48		70.0	70.0	70.0
51		70.0	70.0	70.0
54		70.0	70.0	70.0
57		70.0	70.0	70.0
60		69.5	70.0	67.0
63		66.1	70.0	63.8
66		63.1	70.0	60.9
69		60.0	70.0	58.0
72	57.0	70.0	55.0	
30	102	70.0	70.0	70.0
33		70.0	70.0	70.0
36		70.0	70.0	70.0
39		70.0	70.0	70.0
42		70.0	70.0	70.0
45		70.0	70.0	70.0
48		70.0	70.0	70.0
51		70.0	70.0	69.9
54		68.4	70.0	66.0
57		64.8	70.0	62.5
60		61.5	70.0	59.4
63		58.6	67.1	56.5
66		55.7	64.2	53.6
69		52.8	61.3	50.7
72	50.0	58.4	47.8	
30	108	70.0	70.0	70.0
33		70.0	70.0	70.0
36		70.0	70.0	70.0
39		70.0	70.0	70.0
42		70.0	70.0	70.0
45		70.0	70.0	70.0
48		68.6	70.0	66.2
51		64.6	70.0	62.3
54		61.0	69.8	58.8
57		57.8	66.2	55.7
60		54.9	62.9	53.0



WIDTH (W) = W1 (JAMB)

WIDTH (W) = $\frac{W2 + W3}{2}$ (MULLION)



MEDIUM JAMB - J2 MEDIUM MULLION - M2 MEDIUM JAMB - J3

MEDIUM CONFIGURATION

TITLE: YHS 50 FS ALUMINUM STOREFRONT SYSTEM - OUTSIDE GLAZED (IMPACT)
MEDIUM MULL TABLES

PREPARED BY: BUILDING DROPS, INC.
398 E. DANIA BEACH BLVD., STE. 338
DANIA BEACH, FL 33004
PH: (954)399-8478
FAX: (954)744-4738
WEB: www.buildingdrops.com

REMARKS	BY	DATE

THE INSTALLATION DETAILS DESCRIBED HEREIN ARE GENERIC AND MAY NOT REFLECT ACTUAL CONDITIONS FOR A SPECIFIC SITE. IF SITE CONDITIONS CAUSE INSTALLATION TO DEVIATE FROM THE REQUIREMENTS DETAILED HEREIN, A LICENSED ENGINEER OR ARCHITECT SHALL PREPARE SITE SPECIFIC DOCUMENTS FOR USE WITH THIS DOCUMENT.



HERMES F. NORERO, P.E.
TEXAS P.E. No. 118471
BUILDING DROPS, INC.
398 E. DANIA BEACH BLVD. # 338
DANIA BEACH, FL 33004
TBPE FIRM No. 13734

DATE:	09.20.21
DWG. BY:	MS
CHK. BY:	HFN
SCALE:	NTS
DWG. #:	YKK282
SHEET:	6

s:\projects\ykk_ap_america, inc\tdi-21-0919 - tdi submittal - revision cwsf 51, cwsf 52, cwsf 53\dwgs\ykk282_yhs 50 fs og_wr3.dwg 10/27/2021 1:37 PM

MULLION LOAD TABLES

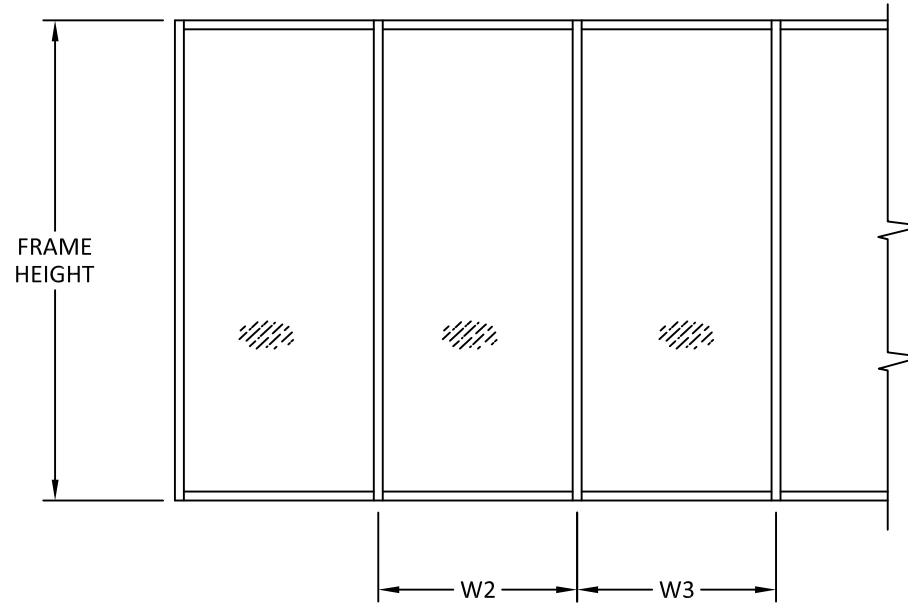
HEAVY CONFIGURATION



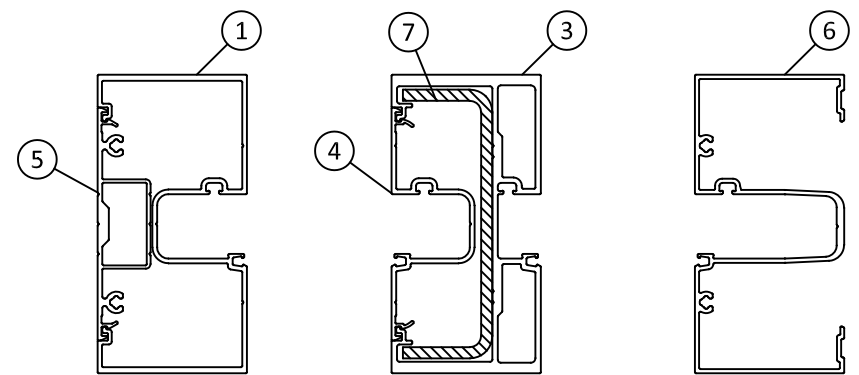
YKK AP AMERICA, INC.
1229 HWY 441 BYPASS
DUBLIN, GEORGIA 31021
PH: (478)277-1955 FAX: (678)838-6001

DESIGN LOAD CAPACITY - PSF			
NOMINAL DIMS.		HEAVY MULLION - M3	
WIDTH (W)	FRAME HEIGHT (H)	EXT. (+)	INT. (-)
72	96	70.0	90.0
69	102	70.0	90.0
66	108	70.0	88.7
63	114	70.0	83.4
60	120	70.0	90.0
41	126	70.0	90.0
39	132	70.0	90.0
37	138	70.0	90.0
36	144	70.0	90.0

NOTE: HEAVY CONFIGURATION JAMBS J4 & J5 ARE ANCHORED ALONG THEIR LENGTH AND THEREFORE DO NOT LIMIT DESIGN PRESSURE.



$$\text{WIDTH (W)} = \frac{W2 + W3}{2} \text{ (MULLION)}$$



HEAVY JAMB - J4

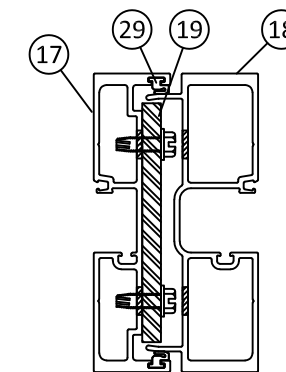
HEAVY MULLION - M3

HEAVY JAMB - J5

HEAVY CONFIGURATION

DESIGN LOAD CAPACITY - PSF			
NOMINAL DIMS.		EXPANSION MULLION	
WIDTH (W)	FRAME HEIGHT (H)	EXT. (+)	INT. (-)
72	96	65	
67	102	65	
64	108	65	
60	114	65	
57	120	65	
54	126	65	
52	132	65	
50	138	65	
48	144	65	

NOTE: EXPANSION MULL MAY BE USED WITH ANY MULLION CONFIGURATION SUCH THAT ALLOWABLE SIZES AND PRESSURES ARE NOT EXCEEDED.



EXPANSION MULLION

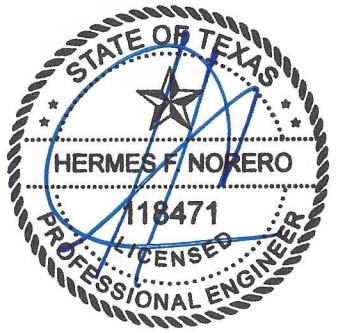
TITLE: YHS 50 FS ALUMINUM STOREFRONT SYSTEM - OUTSIDE GLAZED (IMPACT)
HEAVY MULL TABLES

PREPARED BY: BUILDING DROPS, INC.
398 E. DANIA BEACH BLVD., STE. 338
DANIA BEACH, FL 33004
PH: (954)399-8478
FAX: (954)744-4738
WEB: www.buildingdrops.com



REMARKS	BY	DATE

THE INSTALLATION DETAILS DESCRIBED HEREIN ARE GENERIC AND MAY NOT REFLECT ACTUAL CONDITIONS FOR A SPECIFIC SITE. IF SITE CONDITIONS CAUSE INSTALLATION TO DEVIATE FROM THE REQUIREMENTS DETAILED HEREIN, A LICENSED ENGINEER OR ARCHITECT SHALL PREPARE SITE SPECIFIC DOCUMENTS FOR USE WITH THIS DOCUMENT.



HERMES F. NORERO, P.E.
TEXAS P.E. No. 118471
BUILDING DROPS, INC.
398 E. DANIA BEACH BLVD. # 338
DANIA BEACH, FL 33004
TBPE FIRM No. 13734

DATE:	09.20.21	
DWG. BY:	MS	CHK. BY: HFN
SCALE:	NTS	
DWG. #:	YKK282	
SHEET:	7	

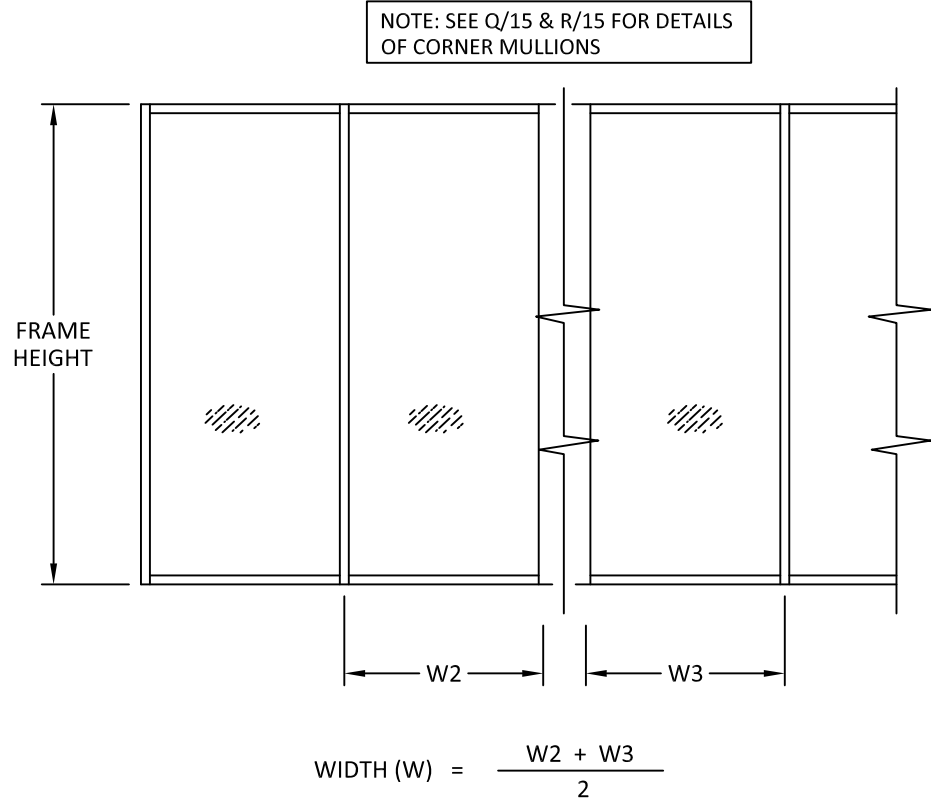
10/27/2021 1:37 PM
s:\projects\ykk_ap_america, inc\tdi-21-0919 - tdi submittal - revision cwsf 51, cwsf 52, cwsf 53\dwgs\ykk282_yms 50 fs og_wr3.dwg

CORNER MULLION LOAD TABLES



YKK AP AMERICA, INC.
 1229 HWY 441 BYPASS
 DUBLIN, GEORGIA 31021
 PH: (478)277-1955 FAX: (678)838-6001

DESIGN LOAD CAPACITY - PSF				DESIGN LOAD CAPACITY - PSF				DESIGN LOAD CAPACITY - PSF			
NOMINAL DIMS.		90 DEGREE MULLION	135 DEGREE MULLION	NOMINAL DIMS.		90 DEGREE MULLION	135 DEGREE MULLION	NOMINAL DIMS.		90 DEGREE MULLION	135 DEGREE MULLION
WIDTH (W)	FRAME HEIGHT	EXT. (+) INT. (-)	EXT. (+) INT. (-)	WIDTH (W)	FRAME HEIGHT	EXT. (+) INT. (-)	EXT. (+) INT. (-)	WIDTH (W)	FRAME HEIGHT	EXT. (+) INT. (-)	EXT. (+) INT. (-)
30	72	70.0	70.0	30	90	70.0	70.0	30	108	60.7	56.2
33		70.0	70.0	33		70.0	70.0	33		55.2	51.1
36		70.0	70.0	36		70.0	67.5	36		50.6	46.9
39		70.0	70.0	39		67.2	62.3	39		46.7	43.3
42		70.0	70.0	42		62.4	57.8	42		43.3	40.2
45		70.0	70.0	45		58.2	54.0	45		40.4	37.5
48		70.0	70.0	48		54.6	50.6	48		37.9	35.1
51		70.0	70.0	51		51.4	47.6	51		35.7	33.1
54		70.0	70.0	54		48.5	45.0	54		33.7	31.2
57		70.0	66.6	57		46.0	42.6	57		31.9	29.6
60		68.3	63.3	60		43.7	40.5	60		30.3	28.1
63		65.0	60.3	63		41.6	38.6	63		28.9	26.8
66		62.1	57.5	66		39.7	36.8	66		27.6	25.6
69		59.4	55.0	69		38.0	35.2	30		54.5	50.5
72	56.9	52.7	72	36.4	33.7	33	49.5	45.9			
30	78	70.0	70.0	30	96	70.0	70.0	30	114	45.4	42.1
33		70.0	70.0	33		69.8	64.7	33		41.9	38.8
36		70.0	70.0	36		64.0	59.3	36		38.9	36.1
39		70.0	70.0	39		59.1	54.7	39		36.3	33.6
42		70.0	70.0	42		54.9	50.8	42		34.0	31.5
45		70.0	70.0	45		51.2	47.4	45		32.0	29.7
48		70.0	67.4	48		48.0	44.5	48		30.3	28.0
51		68.4	63.4	51		45.2	41.9	51		28.7	26.6
54		64.6	59.9	54		42.7	39.5	54		27.2	25.2
57		61.2	56.7	57		40.4	37.5	57		25.9	24.0
60		58.2	53.9	60		38.4	35.6	60		24.6	22.8
63		55.4	51.3	63		36.6	33.9	63		24.6	22.8
66		52.9	49.0	66		34.9	32.4	33		44.7	41.4
69		50.6	46.9	69		33.4	30.9	36		41.0	38.0
72	48.5	44.9	72	32.0	29.7	39	37.8	35.0			
30	84	70.0	70.0	30	102	68.0	63.0	30	120	35.1	32.5
33		70.0	70.0	33		61.8	57.3	33		32.8	30.4
36		70.0	70.0	36		56.7	52.5	36		30.7	28.5
39		70.0	70.0	39		52.3	48.5	39		28.9	26.8
42		70.0	66.4	42		48.6	45.0	42		27.3	25.3
45		66.9	62.0	45		45.3	42.0	45		25.9	24.0
48		62.7	58.1	48		42.5	39.4	48		24.6	22.8
51		59.0	54.7	51		40.0	37.1	51		24.6	22.8
54		55.7	51.6	54		37.8	35.0	30		44.6	41.3
57		52.8	48.9	57		35.8	33.2	33		40.5	37.6
60		50.1	46.5	60		34.0	31.5	36		37.1	34.4
63		47.8	44.3	63		32.4	30.0	39		34.3	31.8
66		45.6	42.3	66		30.9	28.7	41		32.6	30.2
69		43.6	40.4	69		29.6	27.4	30		32.6	30.2
72	41.8	38.7				33	40.6	37.6			
						33	36.9	34.2			
						36	33.8	31.4			
						39	31.2	29.0			
						30	37.2	34.4			
						33	33.8	31.3			
						37	30.1	27.9			
						30	34.1	31.6			
						33	31.0	28.8			
						36	28.4	26.4			

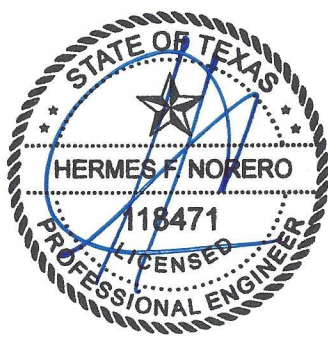


TITLE: YHS 50 FS ALUMINUM STOREFRONT SYSTEM - OUTSIDE GLAZED (IMPACT)
 CORNER MULLION TABLES

PREPARED BY: BUILDING DROPS, INC.
 398 E. DANIA BEACH BLVD., STE. 338
 DANIA BEACH, FL 33004
 PH: (954)399-8478
 FAX: (954)744-4738
 WEB: www.buildingdrops.com

REMARKS	BY	DATE

THE INSTALLATION DETAILS DESCRIBED HEREIN ARE GENERIC AND MAY NOT REFLECT ACTUAL CONDITIONS FOR A SPECIFIC SITE. IF SITE CONDITIONS CAUSE INSTALLATION TO DEVIATE FROM THE REQUIREMENTS DETAILED HEREIN, A LICENSED ENGINEER OR ARCHITECT SHALL PREPARE SITE SPECIFIC DOCUMENTS FOR USE WITH THIS DOCUMENT.



HERMES F. NORERO, P.E.
 TEXAS P.E. No. 118471
 BUILDING DROPS, INC.
 398 E. DANIA BEACH BLVD. # 338
 DANIA BEACH, FL 33004
 TBPE FIRM No. 13734

DATE: 09.20.21

DWG. BY: MS CHK. BY: HFN

SCALE: NTS

DWG. #: YKK282

SHEET: 8

10/27/2021 1:37 PM s:\projects\ykk_ap_america, inc.\tdi-21-0919 - tdi submittal - revision cwsf 51, cwsf 52, cwsf 53\dwgs\ykk282_yhs 50 fs og_wr3.dwg

ANCHOR TYPE 'A & B' TABLES



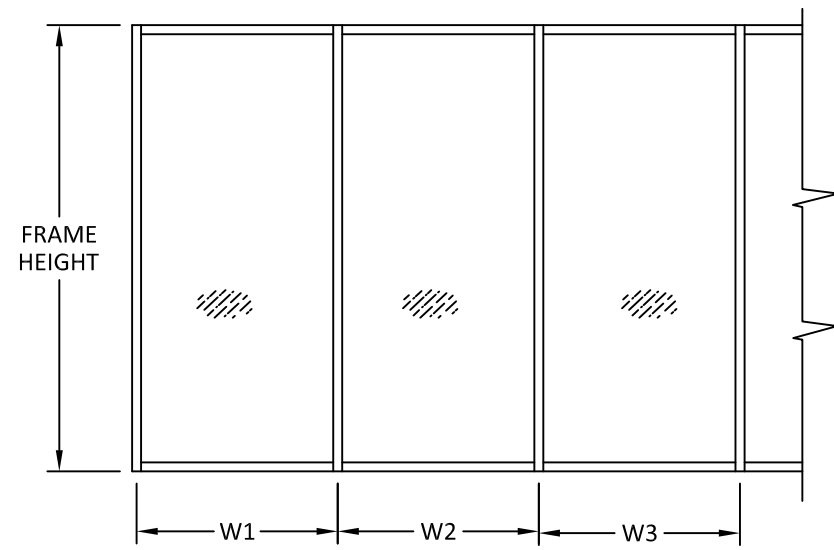
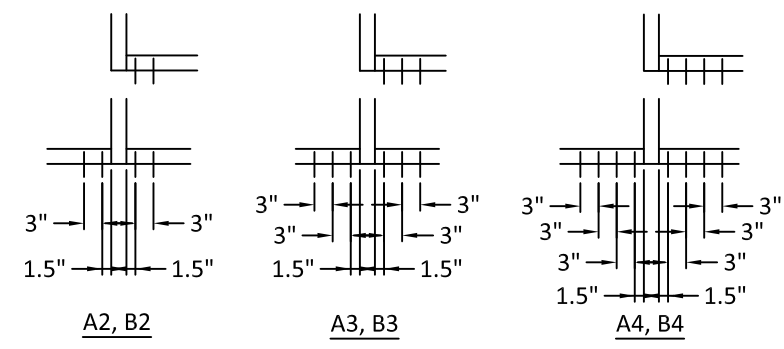
YKK AP AMERICA, INC.
 1229 HWY 441 BYPASS
 DUBLIN, GEORGIA 31021
 PH: (478)277-1955 FAX: (678)838-6001

ANCHOR LOAD CAPACITY - PSF EXT. (+) & INT. (-)							ANCHOR LOAD CAPACITY - PSF EXT. (+) & INT. (-)						ANCHOR LOAD CAPACITY - PSF EXT. (+) & INT. (-)											
NOMINAL DIMS.		ANCHOR TYPE 'A'			ANCHOR TYPE 'B'			NOMINAL DIMS.		ANCHOR TYPE 'A'			ANCHOR TYPE 'B'			NOMINAL DIMS.		ANCHOR TYPE 'A'			ANCHOR TYPE 'B'			
TRIBUTAR Y WIDTH 'W' (in.)	FRAME HEIGHT 'H' (in.)	A2	A3	A4	B2	B3	B4	TRIBUTAR Y WIDTH 'W' (in.)	FRAME HEIGHT 'H' (in.)	A2	A3	A4	B2	B3	B4	TRIBUTAR Y WIDTH 'W' (in.)	FRAME HEIGHT 'H' (in.)	A2	A3	A4	B2	B3	B4	
30	72	90.0	90.0	90.0	90.0	90.0	90.0	30	90	90.0	90.0	90.0	90.0	90.0	90.0	30	108	77.8	90.0	90.0	90.0	90.0	90.0	
33		90.0	90.0	90.0	90.0	90.0	90.0	33		84.9	90.0	90.0	90.0	90.0	90.0	33		70.7	90.0	90.0	90.0	90.0	90.0	90.0
36		90.0	90.0	90.0	90.0	90.0	90.0	36		77.8	90.0	90.0	90.0	90.0	90.0	36		64.8	90.0	90.0	90.0	90.0	90.0	90.0
39		89.8	90.0	90.0	90.0	90.0	90.0	39		71.8	90.0	90.0	90.0	90.0	90.0	39		59.8	89.8	90.0	90.0	90.0	90.0	90.0
42		83.3	90.0	90.0	90.0	90.0	90.0	42		66.7	90.0	90.0	90.0	90.0	90.0	42		55.6	83.3	90.0	89.1	90.0	90.0	90.0
45		77.8	90.0	90.0	90.0	90.0	90.0	45		62.2	90.0	90.0	90.0	90.0	90.0	45		51.9	77.8	90.0	83.2	90.0	90.0	90.0
48		72.9	90.0	90.0	90.0	90.0	90.0	48		58.3	87.5	90.0	90.0	90.0	90.0	48		48.6	72.9	90.0	78.0	90.0	90.0	90.0
51		68.6	90.0	90.0	90.0	90.0	90.0	51		54.9	82.4	90.0	88.1	90.0	90.0	51		45.8	68.6	90.0	73.4	90.0	90.0	90.0
54		64.8	90.0	90.0	90.0	90.0	90.0	54		51.9	77.8	90.0	83.2	90.0	90.0	54		43.2	64.8	86.4	69.3	90.0	90.0	90.0
57		61.4	90.0	90.0	90.0	90.0	90.0	57		49.1	73.7	90.0	78.8	90.0	90.0	57		40.9	61.4	81.9	65.7	90.0	90.0	90.0
60		58.3	87.5	90.0	90.0	90.0	90.0	60		46.7	70.0	90.0	74.9	90.0	90.0	60		38.9	58.3	77.8	62.4	90.0	90.0	90.0
63		55.6	83.3	90.0	90.0	89.1	90.0	63		44.5	66.7	88.9	71.3	90.0	90.0	63		37.0	55.6	74.1	59.4	89.1	90.0	90.0
66		53.0	79.6	90.0	85.1	90.0	90.0	66		42.4	63.6	84.9	68.1	90.0	90.0	66		35.4	53.0	70.7	56.7	85.1	90.0	90.0
69		50.7	76.1	90.0	81.4	90.0	90.0	69		40.6	60.9	81.2	65.1	90.0	90.0	69		33.0	50.7	67.8	54.0	81.4	90.0	90.0
72	48.6	72.9	90.0	78.0	90.0	90.0	72	38.9	58.3	77.8	62.4	90.0	90.0	72	30.0	48.6	65.7	51.9	77.8	90.0	90.0			
30	78	90.0	90.0	90.0	90.0	90.0	90.0	30	96	87.5	90.0	90.0	90.0	90.0	90.0	30	114	61.4	90.0	90.0	90.0	90.0	90.0	
33		90.0	90.0	90.0	90.0	90.0	90.0	33		79.6	90.0	90.0	90.0	90.0	90.0	33		56.7	85.0	90.0	90.0	90.0	90.0	90.0
36		89.8	90.0	90.0	90.0	90.0	90.0	36		72.9	90.0	90.0	90.0	90.0	90.0	36		52.6	79.0	90.0	84.5	90.0	90.0	90.0
39		82.9	90.0	90.0	90.0	90.0	90.0	39		67.3	90.0	90.0	90.0	90.0	90.0	39		49.1	73.7	90.0	78.8	90.0	90.0	90.0
42		76.9	90.0	90.0	90.0	90.0	90.0	42		62.5	90.0	90.0	90.0	90.0	90.0	42		46.1	69.1	90.0	73.9	90.0	90.0	90.0
45		71.8	90.0	90.0	90.0	90.0	90.0	45		58.3	87.5	90.0	90.0	90.0	90.0	45		43.4	65.0	86.7	69.5	90.0	90.0	90.0
48		67.3	90.0	90.0	90.0	90.0	90.0	48		54.7	82.0	90.0	87.8	90.0	90.0	48		40.9	61.4	81.9	65.7	90.0	90.0	90.0
51		63.4	90.0	90.0	90.0	90.0	90.0	51		51.5	77.2	90.0	82.6	90.0	90.0	51		38.8	58.2	77.6	62.2	90.0	90.0	90.0
54		59.8	89.8	90.0	90.0	90.0	90.0	54		48.6	72.9	90.0	78.0	90.0	90.0	54		36.8	55.3	73.7	59.1	88.7	90.0	90.0
57		56.7	85.0	90.0	90.0	90.0	90.0	57		46.1	69.1	90.0	73.9	90.0	90.0	57		35.1	52.6	70.2	56.3	84.5	90.0	90.0
60		53.9	80.8	90.0	86.4	90.0	90.0	60		43.8	65.6	87.5	70.2	90.0	90.0	60		33.0	50.7	67.8	54.0	81.4	90.0	90.0
63		51.3	76.9	90.0	82.3	90.0	90.0	63		41.7	62.5	83.3	66.9	90.0	90.0	63		30.0	48.6	65.7	51.9	77.8	90.0	90.0
66		49.0	73.4	90.0	78.5	90.0	90.0	66		39.8	59.7	79.6	63.8	90.0	90.0	66		27.0	46.7	63.6	49.1	73.7	90.0	90.0
69		46.8	70.2	90.0	75.1	90.0	90.0	69		38.0	57.1	76.1	61.0	90.0	90.0	69		25.0	44.5	62.2	47.0	71.8	90.0	90.0
72	44.9	67.3	89.8	72.0	90.0	90.0	72	36.5	54.7	72.9	58.5	87.8	90.0	72	23.0	42.4	60.9	45.0	69.1	90.0	90.0			
30	84	90.0	90.0	90.0	90.0	90.0	90.0	30	102	82.4	90.0	90.0	90.0	90.0	90.0	30	120	46.7	70.0	90.0	74.9	90.0	90.0	
33		90.0	90.0	90.0	90.0	90.0	90.0	33		74.9	90.0	90.0	90.0	90.0	90.0	33		48	43.8	65.6	87.5	70.2	90.0	90.0
36		83.3	90.0	90.0	90.0	90.0	90.0	36		68.6	90.0	90.0	90.0	90.0	90.0	36		51	41.2	61.8	82.4	66.1	90.0	90.0
39		76.9	90.0	90.0	90.0	90.0	90.0	39		63.4	90.0	90.0	90.0	90.0	90.0	39		54	38.9	58.3	77.8	62.4	90.0	90.0
42		71.4	90.0	90.0	90.0	90.0	90.0	42		58.8	88.2	90.0	90.0	90.0	90.0	42		57	36.8	55.3	73.7	59.1	88.7	90.0
45		66.7	90.0	90.0	90.0	90.0	90.0	45		54.9	82.4	90.0	88.1	90.0	90.0	45		60	35.0	52.5	70.0	56.2	84.2	90.0
48		62.5	90.0	90.0	90.0	90.0	90.0	48		51.5	77.2	90.0	82.6	90.0	90.0	48		30	66.7	90.0	90.0	90.0	90.0	90.0
51		58.8	88.2	90.0	90.0	90.0	90.0	51		48.5	72.7	90.0	77.7	90.0	90.0	51		33	60.6	90.0	90.0	90.0	90.0	90.0
54		55.6	83.3	90.0	89.1	90.0	90.0	54		45.8	68.6	90.0	73.4	90.0	90.0	54		36	55.6	83.3	90.0	89.1	90.0	90.0
57		52.6	79.0	90.0	84.5	90.0	90.0	57		43.4	65.0	86.7	69.5	90.0	90.0	57		39	51.3	76.9	90.0	82.3	90.0	90.0
60		50.0	75.0	90.0	80.2	90.0	90.0	60		41.2	61.8	82.4	66.1	90.0	90.0	60		41	48.8	73.2	90.0	78.3	90.0	90.0
63		47.6	71.4	90.0	76.4	90.0	90.0	63		39.2	58.8	78.4	62.9	90.0	90.0	63		30	63.6	90.0	90.0	90.0	90.0	90.0
66		45.5	68.2	90.0	72.9	90.0	90.0	66		37.4	56.2	74.9	60.1	90.0	90.0	66		33	57.9	86.8	90.0	90.0	90.0	90.0
69		43.5	65.2	87.0	69.8	90.0	90.0	69		35.8	53.7	71.6	57.5	86.2	90.0	69		36	53.0	79.6	90.0	85.1	90.0	90.0
72	41.7	62.5	83.3	66.9	90.0	90.0	72	34.0	51.9	68.7	54.9	84.2	90.0	72	36	48.6	72.9	90.0	78.0	90.0	90.0			

ANCHORS TYPES: SEE SHEET 13 FOR DESCRIPTION

- A2 = (2) ANCHORS TYPE 'A' AT JAMB OR EACH SIDE OF MULLION
- A3 = (3) ANCHORS TYPE 'A' AT JAMB OR EACH SIDE OF MULLION
- A4 = (4) ANCHORS TYPE 'A' AT JAMB OR EACH SIDE OF MULLION
- B2 = (2) ANCHORS TYPE 'B' AT JAMB OR EACH SIDE OF MULLION
- B3 = (3) ANCHORS TYPE 'B' AT JAMB OR EACH SIDE OF MULLION
- B4 = (4) ANCHORS TYPE 'B' AT JAMB OR EACH SIDE OF MULLION

ALL OTHER ANCHORS TO BE SPACED AS PER ELEVATION



WIDTH (W) = W1 (JAMB)
 WIDTH (W) = $\frac{W2 + W3}{2}$ (MULLION)

TITLE: YHS 50 FS ALUMINUM STOREFRONT SYSTEM - OUTSIDE GLAZED (IMPACT)
 TYPE A & B ANCHOR TABLES
 PREPARED BY: BUILDING DROPS, INC.
 398 E. DANIA BEACH BLVD., STE. 338
 DANIA BEACH, FL 33004
 PH: (954)399-8478
 FAX: (954)744-4738
 WEB: www.buildingdrops.com

REMARKS	BY	DATE

THE INSTALLATION DETAILS DESCRIBED HEREIN ARE GENERIC AND MAY NOT REFLECT ACTUAL CONDITIONS FOR A SPECIFIC SITE. IF SITE CONDITIONS CAUSE INSTALLATION TO DEVIATE FROM THE REQUIREMENTS DETAILED HEREIN, A LICENSED ENGINEER OR ARCHITECT SHALL PREPARE SITE SPECIFIC DOCUMENTS FOR USE WITH THIS DOCUMENT.



HERMES F. NORERO, P.E.
 TEXAS P.E. No. 118471
 BUILDING DROPS, INC.
 398 E. DANIA BEACH BLVD. # 338
 DANIA BEACH, FL 33004
 TBPE FIRM No. 13734

DATE: 09.20.21
 DWG. BY: MS
 CHK. BY: HFN
 SCALE: NTS
 DWG. #: YKK282
 SHEET:

10/27/2021 1:37 PM
 s:\projects\ykk_apa_america, inc.\tdr-21-0919 - tdr submittal - revision cwsf 51, cwsf 52, cwsf 53\dwg\y\ykk282_yhs 50 fs og wr3.dwg

ANCHOR TYPE 'C, D & E' TABLES

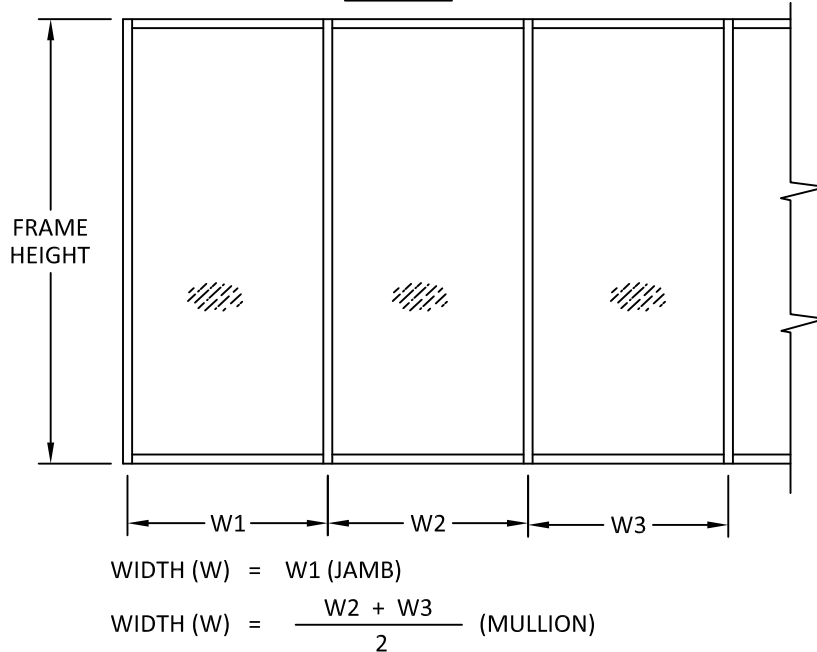
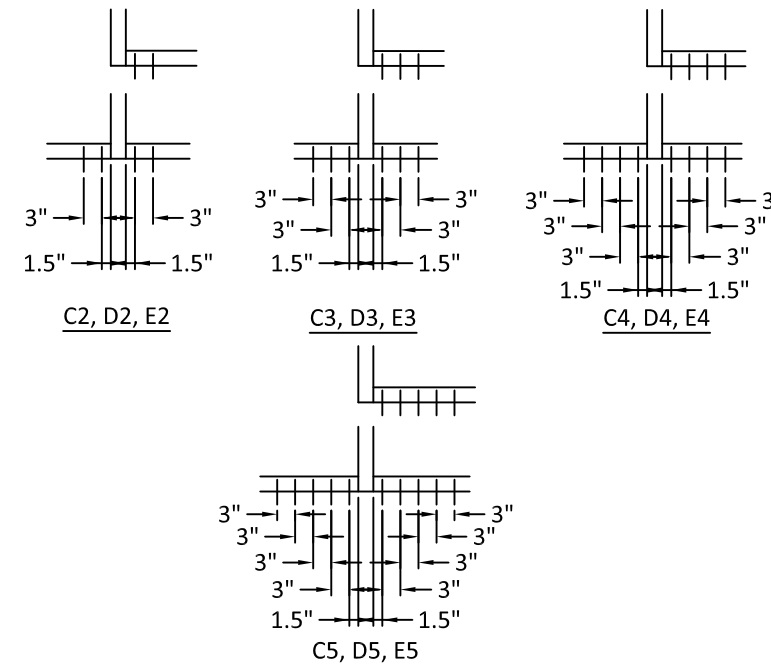
ANCHORS TYPES: SEE SHEET 13 FOR DESCRIPTION

- C2 = (2) ANCHORS TYPE 'C' AT JAMB OR EACH SIDE OF MULLION
- C3 = (3) ANCHORS TYPE 'C' AT JAMB OR EACH SIDE OF MULLION
- C4 = (4) ANCHORS TYPE 'C' AT JAMB OR EACH SIDE OF MULLION
- C5 = (5) ANCHORS TYPE 'C' AT JAMB OR EACH SIDE OF MULLION

- D2 = (2) ANCHORS TYPE 'D' AT JAMB OR EACH SIDE OF MULLION
- D3 = (3) ANCHORS TYPE 'D' AT JAMB OR EACH SIDE OF MULLION
- D4 = (4) ANCHORS TYPE 'D' AT JAMB OR EACH SIDE OF MULLION
- D5 = (5) ANCHORS TYPE 'D' AT JAMB OR EACH SIDE OF MULLION

- E2 = (2) ANCHORS TYPE 'E' AT JAMB OR EACH SIDE OF MULLION
- E3 = (3) ANCHORS TYPE 'E' AT JAMB OR EACH SIDE OF MULLION
- E4 = (4) ANCHORS TYPE 'E' AT JAMB OR EACH SIDE OF MULLION
- E5 = (5) ANCHORS TYPE 'E' AT JAMB OR EACH SIDE OF MULLION

ALL OTHER ANCHORS TO BE SPACED AS PER ELEVATION



ANCHOR LOAD CAPACITY - PSF EXT. (+) & INT (-)										
NOMINAL DIMS.		ANCHOR TYPE 'C'				ANCHOR TYPE 'D' & 'E'				
TRIBUTAR Y WIDTH 'W' (in.)	FRAME HEIGHT 'H' (in.)	C2	C3	C4	C5	D2/E2	D3/E3	D4/E4	D5/E5	
30	72	90.0	90.0	90.0	90.0	90.0	90.0	90.0	90.0	
33		90.0	90.0	90.0	90.0	90.0	90.0	90.0	90.0	
36		90.0	90.0	90.0	90.0	90.0	90.0	90.0	90.0	
39		86.5	90.0	90.0	90.0	90.0	90.0	90.0	90.0	
42		80.4	90.0	90.0	90.0	90.0	90.0	90.0	90.0	
45		75.0	90.0	90.0	90.0	90.0	90.0	90.0	90.0	
48		70.3	90.0	90.0	90.0	90.0	90.0	90.0	90.0	
51		66.2	90.0	90.0	90.0	88.1	90.0	90.0	90.0	
54		62.5	90.0	90.0	90.0	83.2	90.0	90.0	90.0	
57		59.2	88.8	90.0	90.0	78.8	90.0	90.0	90.0	
60		56.2	84.4	90.0	90.0	74.9	90.0	90.0	90.0	
63		53.6	80.4	90.0	90.0	71.3	90.0	90.0	90.0	
66		51.1	76.7	90.0	90.0	68.1	90.0	90.0	90.0	
69		48.9	73.4	90.0	90.0	65.1	90.0	90.0	90.0	
72		46.9	70.3	90.0	90.0	62.4	90.0	90.0	90.0	
30		78	90.0	90.0	90.0	90.0	90.0	90.0	90.0	90.0
33			90.0	90.0	90.0	90.0	90.0	90.0	90.0	90.0
36			86.5	90.0	90.0	90.0	90.0	90.0	90.0	90.0
39			79.9	90.0	90.0	90.0	90.0	90.0	90.0	90.0
42			74.2	90.0	90.0	90.0	90.0	90.0	90.0	90.0
45			69.2	90.0	90.0	90.0	90.0	90.0	90.0	90.0
48			64.9	90.0	90.0	90.0	86.4	90.0	90.0	90.0
51	61.1		90.0	90.0	90.0	81.3	90.0	90.0	90.0	
54	57.7		86.5	90.0	90.0	76.8	90.0	90.0	90.0	
57	54.7		82.0	90.0	90.0	72.8	90.0	90.0	90.0	
60	51.9		77.9	90.0	90.0	69.1	90.0	90.0	90.0	
63	49.4		74.2	90.0	90.0	65.8	90.0	90.0	90.0	
66	47.2		70.8	90.0	90.0	62.8	90.0	90.0	90.0	
69	45.1		67.7	90.0	90.0	60.1	90.0	90.0	90.0	
72	43.3		64.9	86.5	90.0	57.6	86.4	90.0	90.0	
30	84		90.0	90.0	90.0	90.0	90.0	90.0	90.0	90.0
33			87.7	90.0	90.0	90.0	90.0	90.0	90.0	90.0
36			80.4	90.0	90.0	90.0	90.0	90.0	90.0	90.0
39			74.2	90.0	90.0	90.0	90.0	90.0	90.0	90.0
42			68.9	90.0	90.0	90.0	90.0	90.0	90.0	90.0
45			64.3	90.0	90.0	90.0	85.6	90.0	90.0	90.0
48			60.3	90.0	90.0	90.0	80.2	90.0	90.0	90.0
51		56.7	85.1	90.0	90.0	75.5	90.0	90.0	90.0	
54		53.6	80.4	90.0	90.0	71.3	90.0	90.0	90.0	
57		50.8	76.1	90.0	90.0	67.6	90.0	90.0	90.0	
60		48.2	72.3	90.0	90.0	64.2	90.0	90.0	90.0	
63		45.9	68.9	90.0	90.0	61.1	90.0	90.0	90.0	
66		43.8	65.7	87.7	90.0	58.3	87.5	90.0	90.0	
69		41.9	62.9	83.8	90.0	55.8	83.7	90.0	90.0	
72		40.2	60.3	80.4	90.0	53.5	80.2	90.0	90.0	

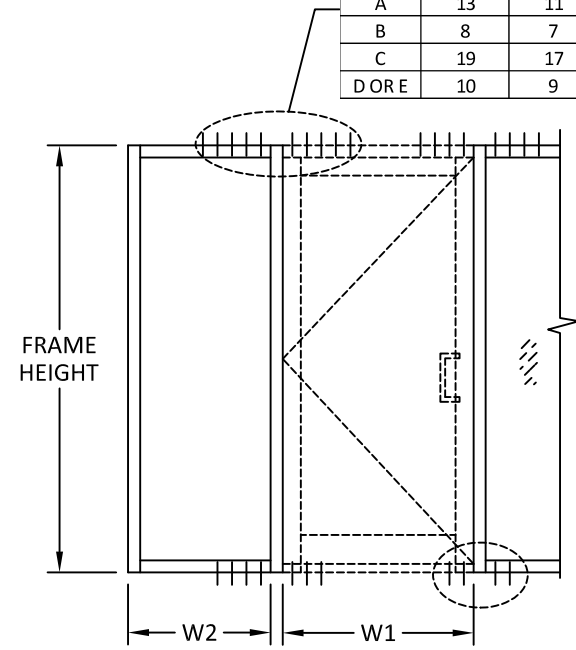
ANCHOR LOAD CAPACITY - PSF EXT. (+) & INT (-)										
NOMINAL DIMS.		ANCHOR TYPE 'C'				ANCHOR TYPE 'D' & 'E'				
TRIBUTAR Y WIDTH 'W' (in.)	FRAME HEIGHT 'H' (in.)	C2	C3	C4	C5	D2/E2	D3/E3	D4/E4	D5/E5	
30	90	90.0	90.0	90.0	90.0	90.0	90.0	90.0	90.0	
33		81.8	90.0	90.0	90.0	90.0	90.0	90.0	90.0	
36		75.0	90.0	90.0	90.0	90.0	90.0	90.0	90.0	
39		69.2	90.0	90.0	90.0	90.0	90.0	90.0	90.0	
42		64.3	90.0	90.0	90.0	85.6	90.0	90.0	90.0	
45		60.0	90.0	90.0	90.0	79.9	90.0	90.0	90.0	
48		56.2	84.4	90.0	90.0	74.9	90.0	90.0	90.0	
51		52.9	79.4	90.0	90.0	70.5	90.0	90.0	90.0	
54		50.0	75.0	90.0	90.0	66.6	90.0	90.0	90.0	
57		47.4	71.1	90.0	90.0	63.1	90.0	90.0	90.0	
60		45.0	67.5	90.0	90.0	59.9	89.9	90.0	90.0	
63		42.9	64.3	85.7	90.0	57.1	85.6	90.0	90.0	
66		40.9	61.4	81.8	90.0	54.5	81.7	90.0	90.0	
69		39.1	58.7	78.3	90.0	52.1	78.1	90.0	90.0	
72		37.5	56.2	75.0	90.0	49.9	74.9	90.0	90.0	
30		96	84.4	90.0	90.0	90.0	90.0	90.0	90.0	90.0
33			76.7	90.0	90.0	90.0	90.0	90.0	90.0	90.0
36			70.3	90.0	90.0	90.0	90.0	90.0	90.0	90.0
39			64.9	90.0	90.0	90.0	86.4	90.0	90.0	90.0
42			60.3	90.0	90.0	90.0	80.2	90.0	90.0	90.0
45			56.2	84.4	90.0	90.0	74.9	90.0	90.0	90.0
48			52.7	79.1	90.0	90.0	70.2	90.0	90.0	90.0
51	49.6		74.4	90.0	90.0	66.1	90.0	90.0	90.0	
54	46.9		70.3	90.0	90.0	62.4	90.0	90.0	90.0	
57	44.4		66.6	88.8	90.0	59.1	88.7	90.0	90.0	
60	42.2		63.3	84.4	90.0	56.2	84.2	90.0	90.0	
63	40.2		60.3	80.4	90.0	53.5	80.2	90.0	90.0	
66	38.4		57.5	76.7	90.0	51.1	76.6	90.0	90.0	
69	36.7		55.0	73.4	90.0	48.8	73.3	90.0	90.0	
72	35.2		52.7	70.3	87.9	46.8	70.2	90.0	90.0	
30	102		79.4	90.0	90.0	90.0	90.0	90.0	90.0	90.0
33			72.2	90.0	90.0	90.0	90.0	90.0	90.0	90.0
36			66.2	90.0	90.0	90.0	88.1	90.0	90.0	90.0
39			61.1	90.0	90.0	90.0	81.3	90.0	90.0	90.0
42			56.7	85.1	90.0	90.0	75.5	90.0	90.0	90.0
45			52.9	79.4	90.0	90.0	70.5	90.0	90.0	90.0
48			49.6	74.4	90.0	90.0	66.1	90.0	90.0	90.0
51		46.7	70.1	90.0	90.0	62.2	90.0	90.0	90.0	
54		44.1	66.2	88.2	90.0	58.7	88.1	90.0	90.0	
57		41.8	62.7	83.6	90.0	55.6	83.5	90.0	90.0	
60		39.7	59.6	79.4	90.0	52.9	79.3	90.0	90.0	
63		37.8	56.7	75.6	90.0	50.3	75.5	90.0	90.0	
66		36.1	54.1	72.2	90.0	48.1	72.1	90.0	90.0	
69		34.5	51.8	69.1	86.3	46.0	68.9	90.0	90.0	

ANCHOR LOAD CAPACITY - PSF EXT. (+) & INT (-)										
NOMINAL DIMS.		ANCHOR TYPE 'C'				ANCHOR TYPE 'D' & 'E'				
TRIBUTAR Y WIDTH 'W' (in.)	FRAME HEIGHT 'H' (in.)	C2	C3	C4	C5	D2/E2	D3/E3	D4/E4	D5/E5	
30	108	75.0	90.0	90.0	90.0	90.0	90.0	90.0	90.0	
33		68.2	90.0	90.0	90.0	90.0	90.0	90.0	90.0	
36		62.5	90.0	90.0	90.0	83.2	90.0	90.0	90.0	
39		57.7	86.5	90.0	90.0	76.8	90.0	90.0	90.0	
42		53.6	80.4	90.0	90.0	71.3	90.0	90.0	90.0	
45		50.0	75.0	90.0	90.0	66.6	90.0	90.0	90.0	
48		46.9	70.3	90.0	90.0	62.4	90.0	90.0	90.0	
51		44.1	66.2	88.2	90.0	58.7	88.1	90.0	90.0	
54		41.7	62.5	83.3	90.0	55.5	83.2	90.0	90.0	
57		39.5	59.2	78.9	90.0	52.5	78.8	90.0	90.0	
60		37.5	56.2	75.0	90.0	49.9	74.9	90.0	90.0	
63		35.7	53.6	71.4	89.3	47.5	71.3	90.0	90.0	
66		34.1	51.1	68.2	85.2	45.4	68.1	90.0	90.0	
30		114	71.1	90.0	90.0	90.0	90.0	90.0	90.0	90.0
33			64.6	90.0	90.0	90.0	86.0	90.0	90.0	90.0
36			59.2	88.8	90.0	90.0	78.8	90.0	90.0	90.0
39			54.7	82.0	90.0	90.0	72.8	90.0	90.0	90.0
42			50.8	76.1	90.0	90.0	67.6	90.0	90.0	90.0
45			47.4	71.1	90.0	90.0	63.1	90.0	90.0	90.0
48			44.4	66.6	88.8	90.0	59.1	88.7	90.0	90.0
51			41.8	62.7	83.6	90.0	55.6	83.5	90.0	90.0
54			39.5	59.2	78.9	90.0	52.5	78.8	90.0	90.0
57	37.4		56.1	74.8	90.0	49.8	74.7	90.0	90.0	
60	35.5		53.3	71.1	88.8	47.3	70.9	90.0	90.0	
63	33.8		50.8	67.7	84.6	45.0	67.6	90.0	90.0	
66	32.1		48.6	64.6	81.6	43.0	64.6	90.0	90.0	
69	30.6		46.6	62.6	79.6	41.2	62.6	90.0	90.0	
72	29.1		44.7	60.7	77.7	39.5	60.7	90.0	90.0	
30	120		67.5	90.0	90.0	90.0	89.9	90.0	90.0	90.0
33			61.4	90.0	90.0	90.0	81.7	90.0	90.0	90.0
36			56.2	84.4	90.0	90.0	74.9	90.0	90.0	90.0
39			51.9	77.9	90.0	90.0	69.1	90.0	90.0	90.0
42			48.2	72.3	90.0	90.0	64.2	90.0	90.0	90.0
45			45.0	67.5	90.0	90.0	59.9	89.9	90.0	90.0
48			42.2	63.3	84.4	90.0	56.2	84.2	90.0	90.0
51		39.7	59.6	79.4	90.0	52.9	79.3	90.0	90.0	
54		37.5	56.2	75.0	90.0	49.9	74.9	90.0	90.0	
57										

DOOR MULLION LOAD & ANCHOR TABLES

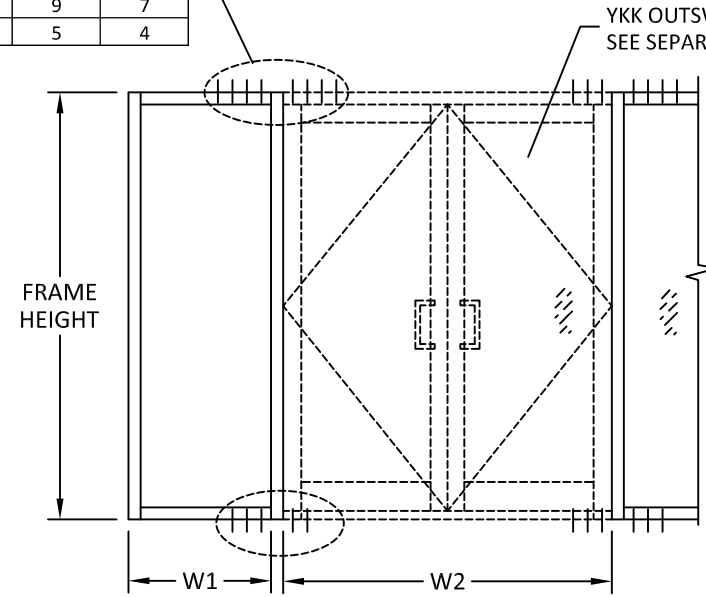
DOOR MULLION LOAD CAPACITY					
NOMINAL DIMS.		WITHOUT STEEL REINF.		WITH STEEL REINF.	
WIDTH (W)	FRAME HEIGHT (H)	EXT. (+)	INT. (-)	EXT. (+)	INT. (-)
24	102	70.0	70.0	70.0	90.0
30		70.0	70.0	70.0	90.0
36		70.0	70.0	70.0	90.0
42		70.0	70.0	70.0	90.0
48		70.0	70.0	70.0	90.0
54	108	70.0	70.0	70.0	90.0
60		70.0	70.0	70.0	90.0
24		70.0	70.0	70.0	90.0
30		70.0	70.0	70.0	90.0
36		70.0	70.0	70.0	90.0
42	114	70.0	70.0	70.0	90.0
48		70.0	70.0	70.0	90.0
54		70.0	70.0	70.0	90.0
60		70.0	70.0	70.0	90.0
24		70.0	70.0	70.0	90.0
30	120	70.0	70.0	70.0	90.0
36		70.0	70.0	70.0	90.0
42		70.0	70.0	70.0	90.0
48		70.0	70.0	70.0	90.0
54		69.2	69.2	70.0	90.0
60	62.3	62.3	70.0	90.0	
24	126	70.0	70.0	70.0	90.0
30		70.0	70.0	70.0	90.0
36		70.0	70.0	70.0	90.0
42		70.0	70.0	70.0	90.0
48		67.3	67.3	70.0	90.0
54	59.8	59.8	70.0	90.0	
60	57.1	55.0	70.0	90.0	
24	132	70.0	70.0	70.0	90.0
30		70.0	70.0	70.0	90.0
36		70.0	70.0	70.0	90.0
42		66.9	66.9	70.0	90.0
48		58.5	58.5	70.0	90.0
54	57.1	55.0	70.0	90.0	
60	52.4	50.4	64.2	82.6	
24	138	70.0	70.0	70.0	90.0
30		70.0	70.0	70.0	90.0
36		68.3	68.3	70.0	90.0
42		58.5	58.5	70.0	90.0
48		57.1	55.0	70.0	90.0
54	50.9	49.1	62.4	80.3	
60	45.8	44.1	56.2	72.2	
24	144	70.0	70.0	70.0	90.0
30		70.0	70.0	70.0	90.0
36		60.1	60.1	70.0	90.0
42		57.1	55.0	70.0	90.0
48		50.4	48.6	61.8	79.5
54	44.8	43.2	55.0	70.7	
60	40.3	38.9	49.5	63.6	

ANCHOR TYPE	TOTAL NO. OF ANCHORS REQUIRED AT DOOR MULLION HEAD AND SILL						
	BY DESIGN PRESSURE						
	90 PSF	80 PSF	70 PSF	60 PSF	50 PSF	40 PSF	30 PSF
A	13	11	10	9	7	6	5
B	8	7	6	6	5	4	3
C	19	17	15	13	11	9	7
D O R E	10	9	8	7	6	5	4



$$\text{WIDTH (W)} = \frac{W1 + W2}{2}$$

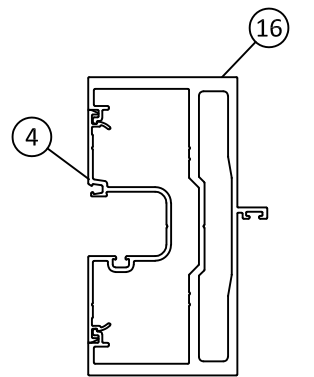
SINGLE DOOR



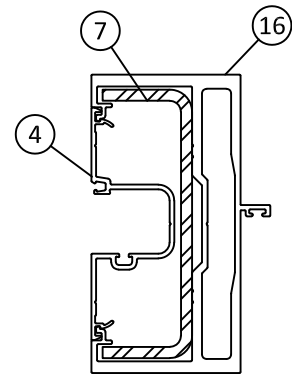
$$\text{WIDTH (W)} = \frac{W1}{2} + \frac{W2}{4}$$

DOUBLE DOOR

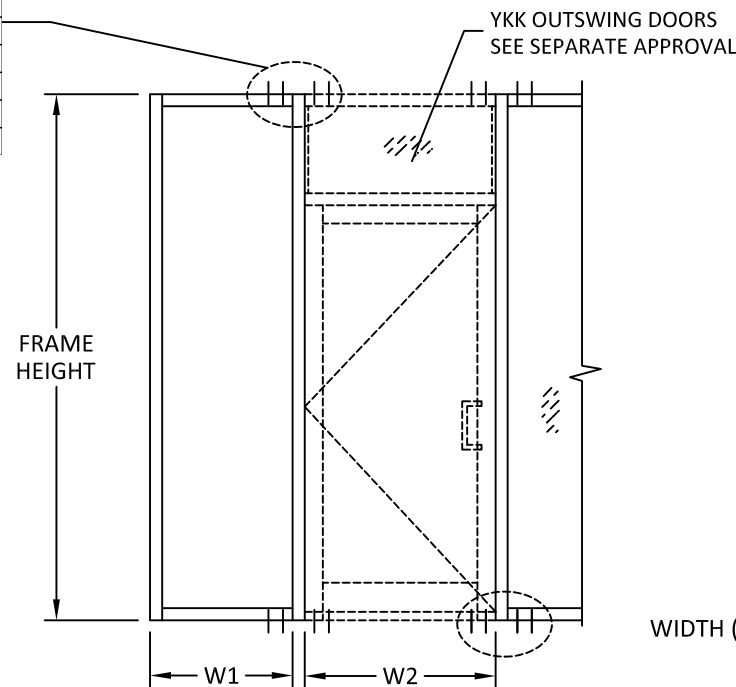
ANCHOR TYPE	TOTAL NO. OF ANCHORS REQUIRED AT DOOR MULLION HEAD AND SILL						
	BY DESIGN PRESSURE						
	90 PSF	80 PSF	70 PSF	60 PSF	50 PSF	40 PSF	30 PSF
A	13	11	10	9	7	6	5
B	8	7	6	6	5	4	3
C	19	17	15	13	11	9	7
D O R E	10	9	8	7	6	5	4



DOOR MULLION WITHOUT STEEL REINFORCEMENT



DOOR MULLION WITH STEEL REINFORCEMENT



$$\text{WIDTH (W)} = \frac{W1 + W2}{2}$$

SINGLE DOOR WITH TRANSOM



YKK AP AMERICA, INC.
 1229 HWY 441 BYPASS
 DUBLIN, GEORGIA 31021
 PH: (478)277-1955 FAX: (678)838-6001

TITLE: YHS 50 FS ALUMINUM STOREFRONT SYSTEM - OUTSIDE GLAZED (IMPACT)
 DOOR MULLION TABLE (1)
 PREPARED BY: BUILDING DROPS, INC.
 398 E. DANIA BEACH BLVD., STE. 338
 DANIA BEACH, FL 33004
 PH: (954)399-8478
 FAX: (954)744-4738
 WEB: www.buildingdrops.com

REMARKS	BY	DATE

THE INSTALLATION DETAILS DESCRIBED HEREIN ARE GENERIC AND MAY NOT REFLECT ACTUAL CONDITIONS FOR A SPECIFIC SITE. IF SITE CONDITIONS CAUSE INSTALLATION TO DEVIATE FROM THE REQUIREMENTS DETAILED HEREIN, A LICENSED ENGINEER OR ARCHITECT SHALL PREPARE SITE SPECIFIC DOCUMENTS FOR USE WITH THIS DOCUMENT.



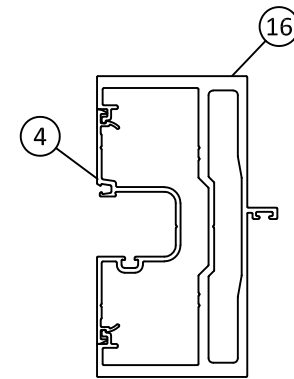
HERMES F. NORERO, P.E.
 TEXAS P.E. No. 118471
 BUILDING DROPS, INC
 398 E. DANIA BEACH BLVD. # 338
 DANIA BEACH, FL 33004
 TBPE FIRM No. 13734

DATE:	09.20.21	
DWG. BY:	MS	CHK. BY: HFN
SCALE:	NTS	
DWG. #:	YKK282	
SHEET:	11	

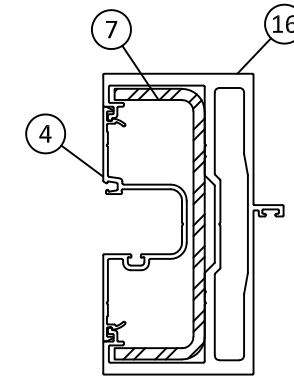
DOOR MULLION LOAD & ANCHOR TABLES

DOOR MULLION LOAD CAPACITY							
NOMINAL DIMS.			WITHOUT STEEL REINF.		WITH STEEL REINF.		
FRAME HEIGHT (IN.)	DOOR PANEL WIDTH - W1 (IN.)	SIDELITE WIDTH - W2 (IN.)	EXT. (+)	INT. (-)	EXT. (+)	INT. (-)	
96	36	30	70.0	70.0	70.0	90.0	
		36	70.0	70.0	70.0	90.0	
		42	70.0	70.0	70.0	90.0	
		48	70.0	70.0	70.0	90.0	
	42	30	30	70.0	70.0	70.0	90.0
			36	70.0	70.0	70.0	90.0
			42	70.0	70.0	70.0	90.0
		48	30	70.0	70.0	70.0	90.0
			36	70.0	70.0	70.0	90.0
			42	70.0	70.0	70.0	90.0
	102	36	30	70.0	70.0	70.0	90.0
			36	70.0	70.0	70.0	90.0
42			70.0	70.0	70.0	90.0	
48			70.0	70.0	70.0	90.0	
42		30	30	70.0	70.0	70.0	90.0
			36	70.0	70.0	70.0	90.0
			42	70.0	70.0	70.0	90.0
		48	30	70.0	70.0	70.0	90.0
			36	70.0	70.0	70.0	90.0
			42	70.0	70.0	70.0	90.0
108		36	30	70.0	70.0	70.0	90.0
			36	70.0	70.0	70.0	90.0
	42		70.0	70.0	70.0	90.0	
	48		70.0	70.0	70.0	90.0	
	42	30	30	70.0	70.0	70.0	90.0
			36	70.0	70.0	70.0	90.0
			42	70.0	70.0	70.0	90.0
		48	30	70.0	70.0	70.0	90.0
			36	70.0	70.0	70.0	90.0
			42	70.0	70.0	70.0	90.0
	114	36	30	70.0	70.0	70.0	90.0
			36	70.0	70.0	70.0	90.0
42			70.0	70.0	70.0	90.0	
48			69.8	69.8	70.0	90.0	
42		30	30	70.0	70.0	70.0	90.0
			36	69.8	69.8	70.0	90.0
			42	66.6	66.6	70.0	90.0
		48	30	63.6	63.6	70.0	90.0
			36	66.6	66.6	70.0	90.0
			42	57.1	55.0	70.0	90.0
48		36	30	66.6	66.6	70.0	90.0
			42	57.1	55.0	70.0	90.0
	48	30	66.6	66.6	70.0	90.0	
		42	57.1	55.0	70.0	90.0	

DOOR MULLION LOAD CAPACITY							
NOMINAL DIMS.			WITHOUT STEEL REINF.		WITH STEEL REINF.		
FRAME HEIGHT (IN.)	DOOR PANEL WIDTH - W1 (IN.)	SIDELITE WIDTH - W2 (IN.)	EXT. (+)	INT. (-)	EXT. (+)	INT. (-)	
120	36	30	69.9	69.9	70.0	90.0	
		36	66.2	66.2	70.0	90.0	
		42	62.8	62.8	70.0	90.0	
		48	59.8	59.8	70.0	90.0	
	42	30	30	62.8	62.8	70.0	90.0
			36	59.8	59.8	70.0	90.0
			42	57.1	57.1	70.0	90.0
		48	30	57.1	55.0	70.0	90.0
			36	57.1	55.0	70.0	90.0
			42	57.1	55.0	70.0	90.0
	126	36	30	60.4	60.4	70.0	90.0
			36	57.2	57.2	70.0	90.0
42			57.1	55.0	70.0	90.0	
48			57.1	55.0	70.0	90.0	
42		30	30	57.1	55.0	70.0	90.0
			36	57.1	55.0	70.0	90.0
			42	55.2	53.1	67.6	86.9
		48	30	52.7	50.8	64.7	83.1
			36	52.7	50.8	64.7	83.1
			38	52.0	50.1	63.7	81.9
132		36	30	57.1	55.0	70.0	90.0
			36	55.6	53.6	68.2	87.7
	42		52.8	50.9	64.7	83.2	
	48		50.3	48.4	61.6	79.2	
	42	30	30	52.8	50.9	64.7	83.2
			36	50.3	48.4	61.6	79.2
			42	48.0	46.2	58.8	75.6
		44	44	47.3	45.5	57.9	74.5
			30	48.0	46.2	58.8	75.6
			32	47.3	45.5	57.9	74.5
	138	36	30	51.4	49.5	63.0	81.0
			36	48.7	46.9	59.7	76.7
42			46.2	44.5	56.7	72.9	
48			44.0	42.4	53.9	69.4	
42		30	30	46.2	44.5	56.7	72.9
			36	44.0	42.4	53.9	69.4
			38	43.3	41.7	53.1	68.3
		48	26	43.3	41.7	53.1	68.3
			30	45.2	43.6	55.5	71.3
			36	42.8	41.3	52.5	67.5
144		36	42	40.7	39.2	49.9	64.1
			44	40.0	38.5	49.0	63.1
	42		30	40.7	39.2	49.9	64.1
	32		40.0	38.5	49.0	63.1	
	48	20	40.0	38.5	49.0	63.1	
			48	20	40.0	38.5	49.0

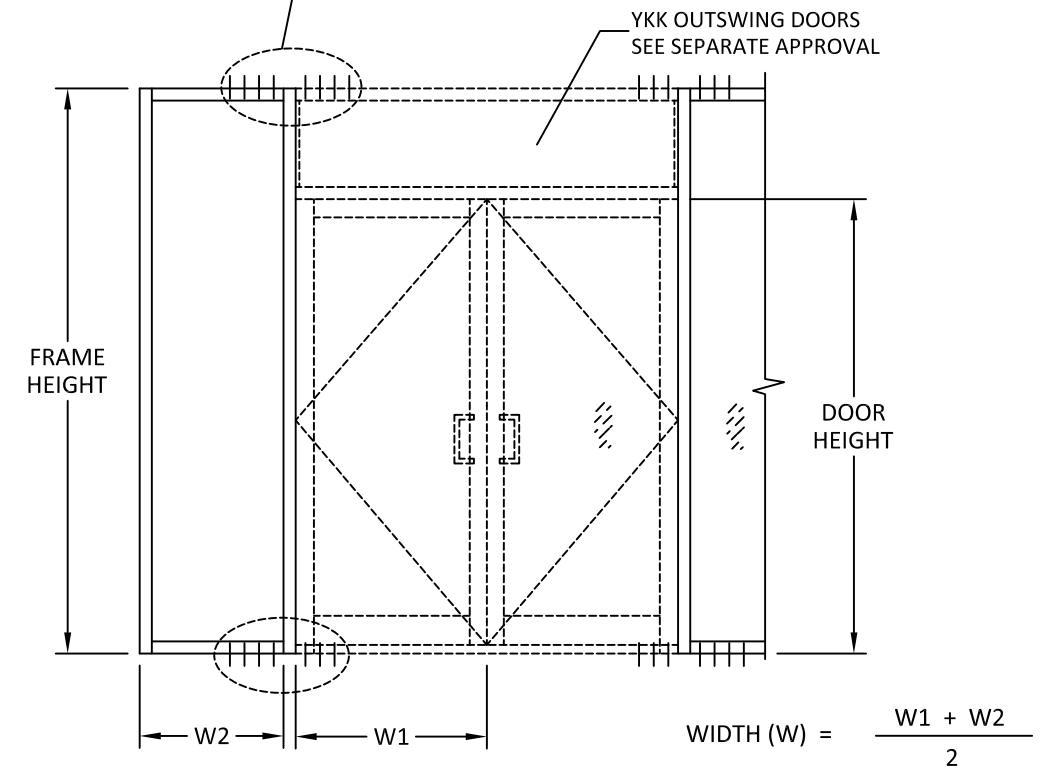


DOOR MULLION WITHOUT STEEL REINFORCEMENT



DOOR MULLION WITH STEEL REINFORCEMENT

ANCHOR TYPE	TOTAL NO. OF ANCHORS REQUIRED AT DOOR MULLION HEAD AND SILL						
	BY DESIGN PRESSURE						
	90 PSF	80 PSF	70 PSF	60 PSF	50 PSF	40 PSF	30 PSF
A	13	11	10	9	7	6	5
B	8	7	6	6	5	4	3
C	19	17	15	13	11	9	7
D OR E	10	9	8	7	6	5	4



DOUBLE DOOR WITH TRANSOM



YKK AP AMERICA, INC.
1229 HWY 441 BYPASS
DUBLIN, GEORGIA 31021
PH: (478)277-1955 FAX: (678)838-6001

TITLE: YHS 50 FS ALUMINUM STOREFRONT SYSTEM - OUTSIDE GLAZED (IMPACT)
DOOR MULLION TABLE (2)

PREPARED BY: BUILDING DROPS, INC.
398 E. DANIA BEACH BLVD., STE. 338
DANIA BEACH, FL 33004
PH: (954)399-8478
FAX: (954)744-4738
WEB: www.buildingdrops.com



REMARKS	BY	DATE

THE INSTALLATION DETAILS DESCRIBED HEREIN ARE GENERIC AND MAY NOT REFLECT ACTUAL CONDITIONS FOR A SPECIFIC SITE. IF SITE CONDITIONS CAUSE INSTALLATION TO DEVIATE FROM THE REQUIREMENTS DETAILED HEREIN, A LICENSED ENGINEER OR ARCHITECT SHALL PREPARE SITE SPECIFIC DOCUMENTS FOR USE WITH THIS DOCUMENT.



HERMES F. NORERO, P.E.
TEXAS P.E. No. 118471
BUILDING DROPS, INC
398 E. DANIA BEACH BLVD. # 338
DANIA BEACH, FL 33004
TBPE FIRM No. 13734

DATE: 09.20.21

DWG. BY: MS
CHK. BY: HFN

SCALE: NTS

DWG. #: YKK282

SHEET:

12

10/27/2021 1:38 PM s:\projects\ykk_ap_america, inc\tdi-21-0919 - tdi_submittal - revision cwsf 51, cwsf 52, cwsf 53\dwg\ykk282_yhs 50 fs og_wr3.dwg

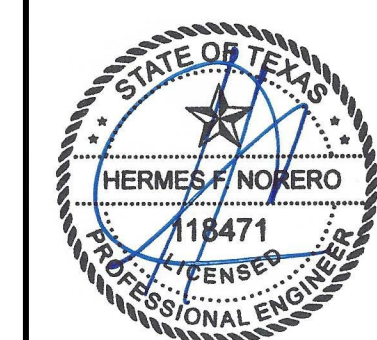
TITLE: YHS 50 FS ALUMINUM STOREFRONT SYSTEM - OUTSIDE GLAZED (IMPACT)
VERTICAL SECTIONS & ANCHOR DESCRIPTIONS

PREPARED BY: BUILDING DROPS, INC.
398 E. DANIA BEACH BLVD., STE. 338
DANIA BEACH, FL 33004
PH: (954)399-8478
FAX: (954)744-4738
WEB: www.buildingdrops.com



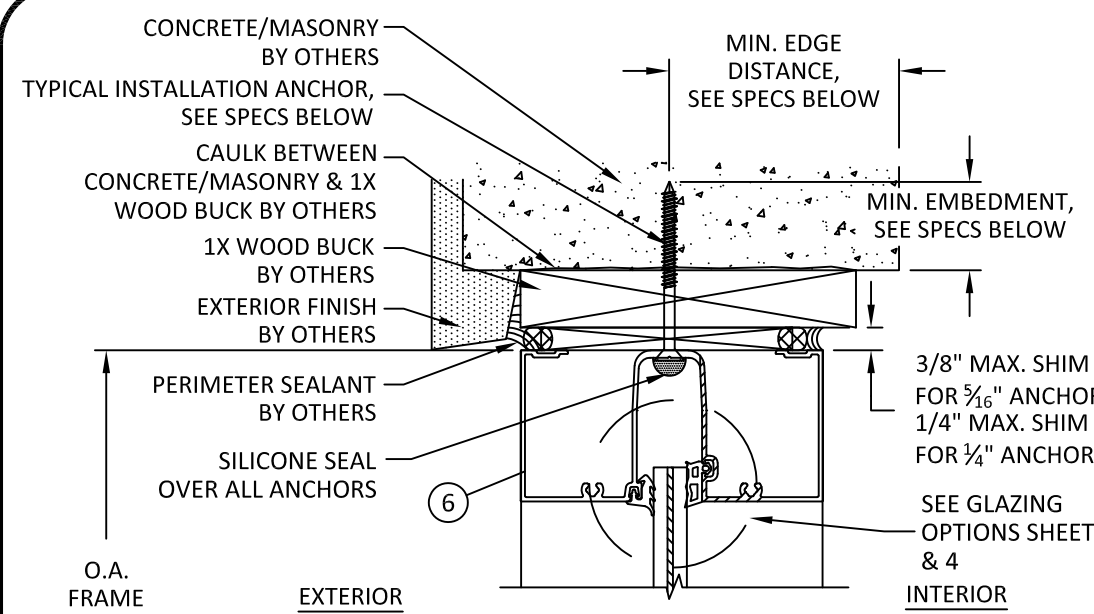
REMARKS	BY	DATE

THE INSTALLATION DETAILS DESCRIBED HEREIN ARE GENERIC AND MAY NOT REFLECT ACTUAL CONDITIONS FOR A SPECIFIC SITE. IF SITE CONDITIONS CAUSE INSTALLATION TO DEVIATE FROM THE REQUIREMENTS DETAILED HEREIN, A LICENSED ENGINEER OR ARCHITECT SHALL PREPARE SITE SPECIFIC DOCUMENTS FOR USE WITH THIS DOCUMENT.

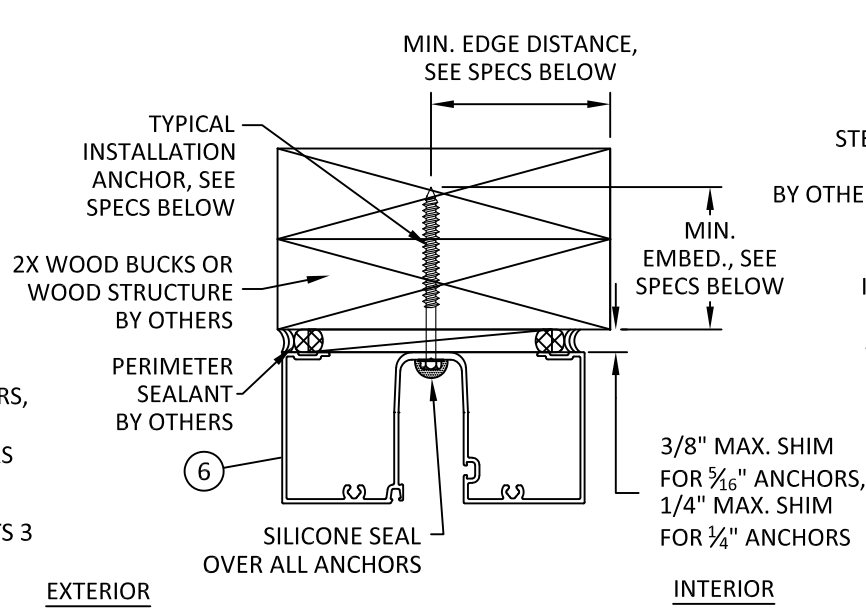


HERMES F. NORERO, P.E.
TEXAS P.E. No. 118471
BUILDING DROPS, INC.
398 E. DANIA BEACH BLVD. # 338
DANIA BEACH, FL 33004
TBPE FIRM No. 13734

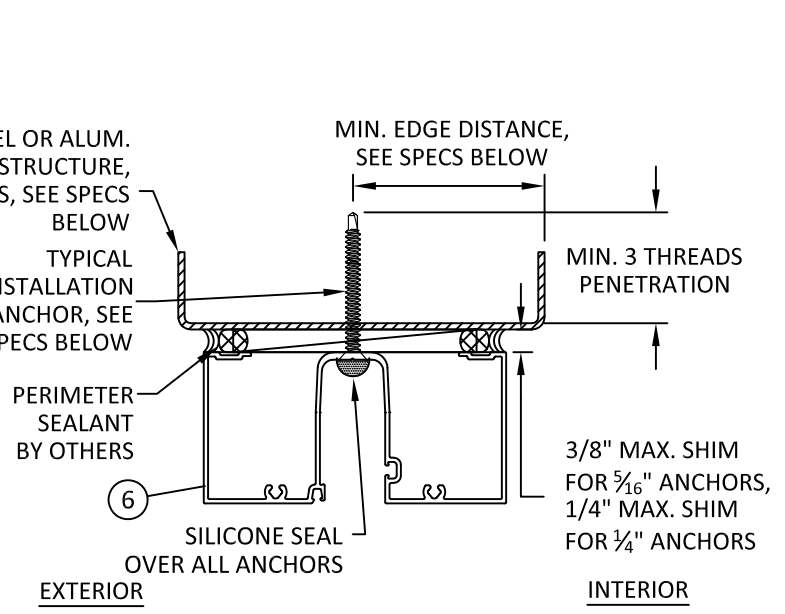
DATE:	09.20.21
DWG. BY:	MS
CHK. BY:	HFN
SCALE:	NTS
DWG. #:	YKK282
SHEET:	13



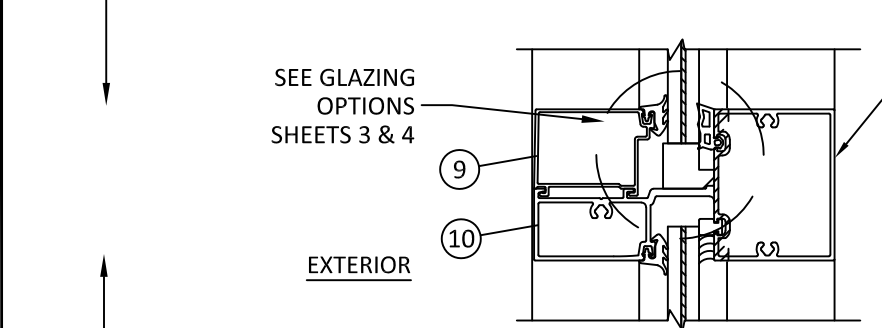
A
13 VERTICAL SECTION
HEAD - CONCRETE/MASONRY W/ 1X BUCK
LIGHT CONFIGURATION



D
13 VERTICAL SECTION
HEAD - WOOD FRAMING
LIGHT CONFIG. - TYPICAL INSTALLATION



E
13 VERTICAL SECTION
HEAD - METAL SUBSTRATE
LIGHT CONFIG. - TYPICAL INSTALLATION

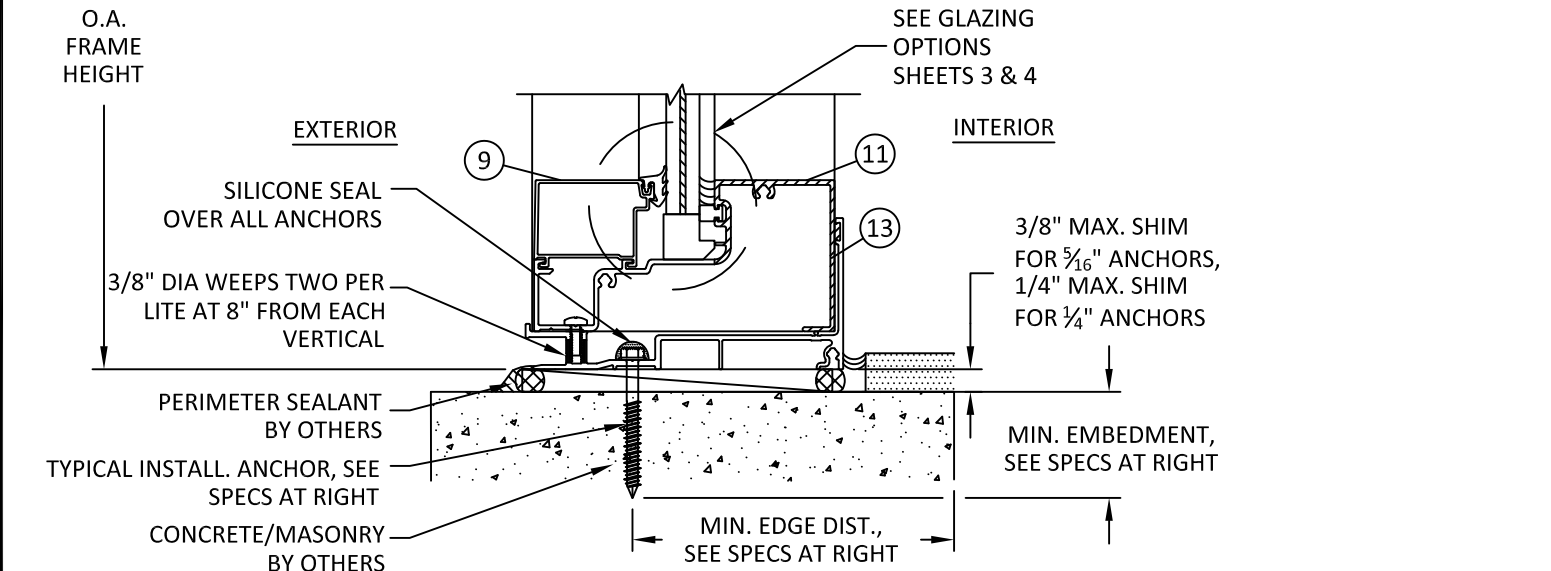


B
13 VERTICAL SECTION
HORIZONTAL MEMBER

LIMIT DESIGN LOADS FOR HORIZONTAL AS FOLLOWS

MAX HORIZ. SPAN	MAX GLASS HEIGHT ABOVE HORIZ.	MAX DESIGN LOADS
60"	55-15/16"	65 PSF
60"	84"	55 PSF
66"	55-15/16"	45 PSF
66"	84"	37 PSF
72"	55-15/16"	32 PSF
72"	84"	25 PSF

DESIGN LOADS SHOWN ABOVE ARE BASED ON MAX. GLASS AREA ABOVE HORIZONTAL, FOR SIZES SMALLER THAN SHOWN ABOVE, ALLOWABLE DESIGN LOADS MAY BE CALCULATED SEPARATELY.



C
13 VERTICAL SECTION
SILL - DIRECT TO CONCRETE/MASONRY
LIGHT CONFIGURATION

YHS 50 FS ANCHOR TYPES					
ANCHOR TYPE	ANCHOR DESCRIPTION	SUBSTRATE REQUIREMENTS	MIN. EMBEDMENT	MIN. EDGE DISTANCE	NOTES
A	5/16" DIA. TAPCON BY ITW (Fu=125 KSI, Fy=100 KSI)	CONCRETE AT HEAD, SILL OR JAMBS F'C = 3000 PSI MIN.	1-3/4"	3"	FOR USE THROUGH OPTIONAL 1X BUCKS, BY OTHERS
	OR	C-90 HOLLOW/FILLED BLOCK AT JAMBS F'M = 2000 PSI MIN.	1"	3"	
	5/16" DIA. ULTRACON BY ELCO (Fu=177 KSI, Fy=155 KSI)	MIN. S.G. = 0.42 WOOD	1-1/2"	1"	--
B	5/16" DIA. SELF-DRILLING SCREWS (GRADE 5)	STEEL: 12 GA. MIN., Fy=36 KSI MIN. ALUM.: 1/8" MIN., 6063-T5 MIN.	THREE THREADS PENETRATION PAST METAL STRUCTURE	3/4"	STEEL IN CONTACT WITH ALUM. TO BE PLATED OR PAINTED
C	1/4" DIA. TAPCON BY ITW (Fu=125 KSI, Fy=100 KSI)	CONCRETE AT HEAD, SILL OR JAMBS F'C = 3000 PSI MIN.	1-3/4"	2-1/2"	FOR USE THROUGH OPTIONAL 1X BUCKS, BY OTHERS
	OR	C-90 HOLLOW/FILLED BLOCK AT JAMBS F'M = 2000 PSI MIN.	1-3/4"	2-1/2"	
	1/4" DIA. ULTRACON BY ELCO (Fu=177 KSI, Fy=155 KSI)	MIN. S.G. = 0.42 WOOD	1-1/2"	1"	--
D	1/4" DIA. SELF-DRILLING SCREWS	STEEL: 12 GA. MIN., Fy=36 KSI MIN. ALUM.: 1/8" MIN., 6063-T5 MIN.	3 THREADS PENETRATION PAST METAL STRUCTURE	3/4"	STEEL IN CONTACT WITH ALUM. TO BE PLATED OR PAINTED
E	1/4" DIA. SELF-DRILLING SCREWS	18 GA. MIN. STEEL STUD, Fy = 33 KSI MIN. WITH WOOD BACKING	1-1/2" WOOD	1" WOOD	--

10/27/2021 1:38 PM
 s:\projects\ykk_ap_america, inc.\tbl-21-0919 - tbl-submittal - revision cwsf 51, cwsf 52, cwsf 53\dwg\ykk282_yhs 50 fs og_wr3.dwg

TITLE: YHS 50 FS ALUMINUM STOREFRONT SYSTEM - OUTSIDE GLAZED (IMPACT)

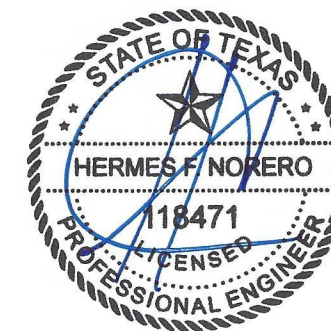
VERTICAL SECTIONS

PREPARED BY: **BUILDING DROPS, INC.**
398 E. DANIA BEACH BLVD., STE. 338
DANIA BEACH, FL 33004
PH: (954)399-8478
FAX: (954)744-4738
WEB: www.buildingdrops.com



REMARKS	BY	DATE

THE INSTALLATION DETAILS DESCRIBED HEREIN ARE GENERIC AND MAY NOT REFLECT ACTUAL CONDITIONS FOR A SPECIFIC SITE. IF SITE CONDITIONS CAUSE INSTALLATION TO DEVIATE FROM THE REQUIREMENTS DETAILED HEREIN, A LICENSED ENGINEER OR ARCHITECT SHALL PREPARE SITE SPECIFIC DOCUMENTS FOR USE WITH THIS DOCUMENT.



HERMES F. NORERO, P.E.
TEXAS P.E. No. 118471
BUILDING DROPS, INC.
398 E. DANIA BEACH BLVD. # 338
DANIA BEACH, FL 33004
TBPE FIRM No. 13734

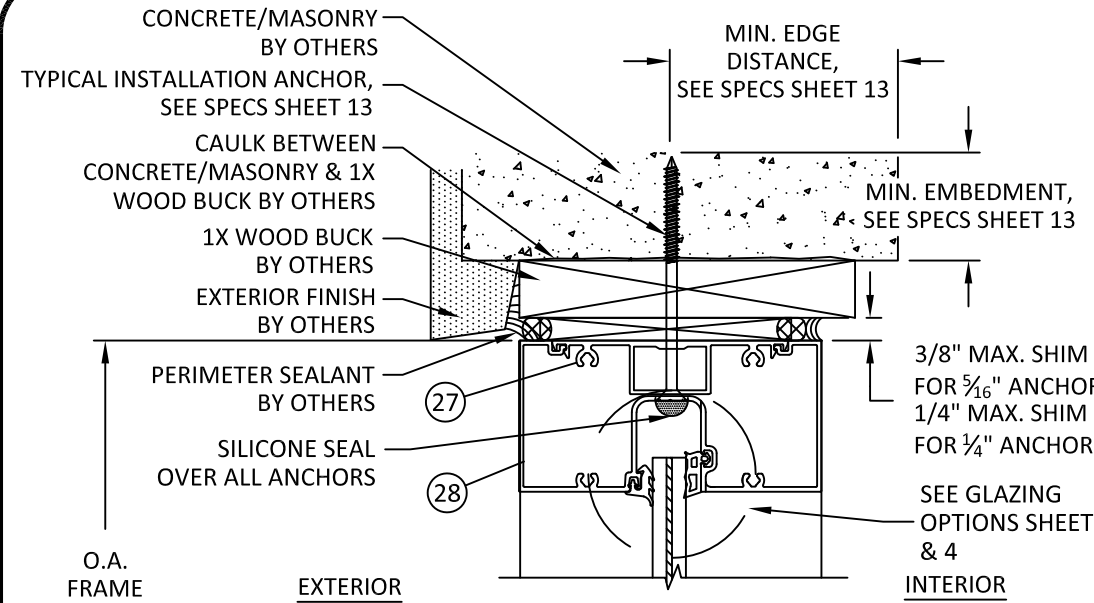
DATE: 09.20.21

DWG. BY: MS CHK. BY: HFN

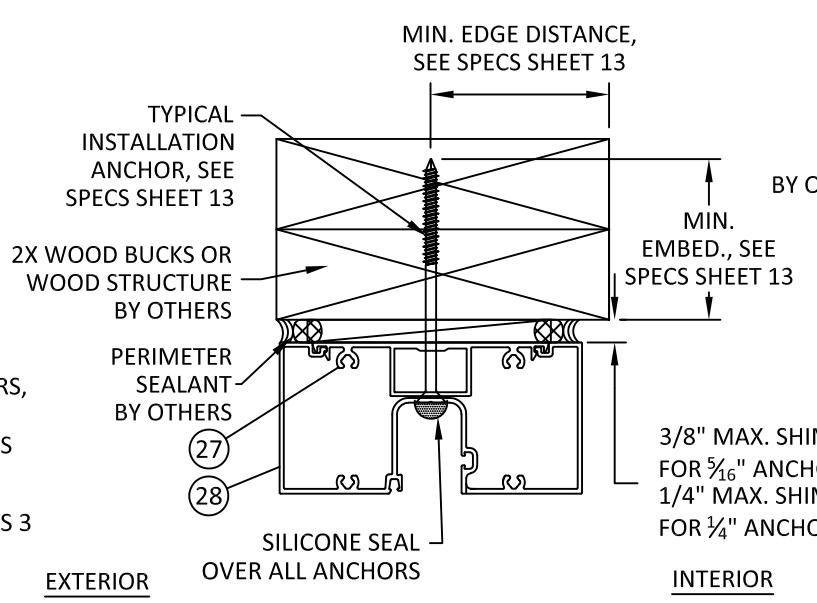
SCALE: NTS

DWG. #: YKK282

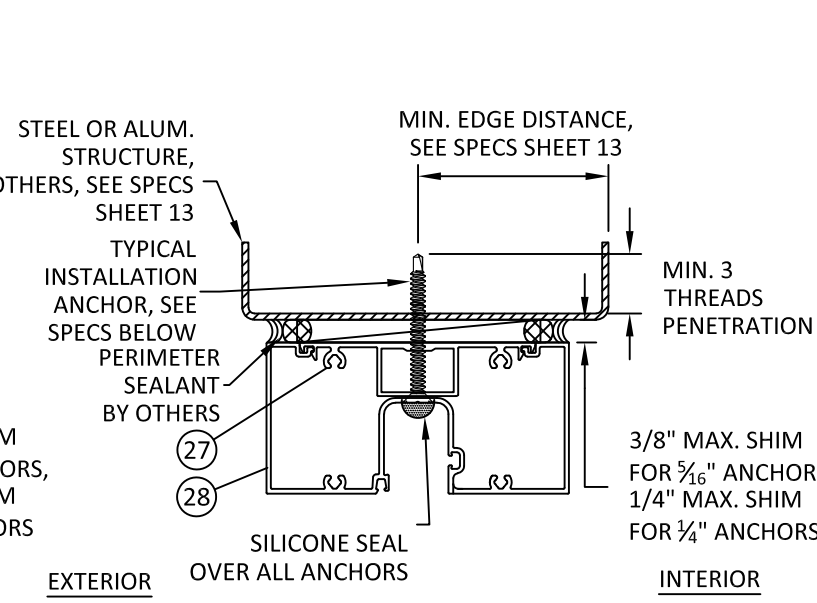
SHEET: 14



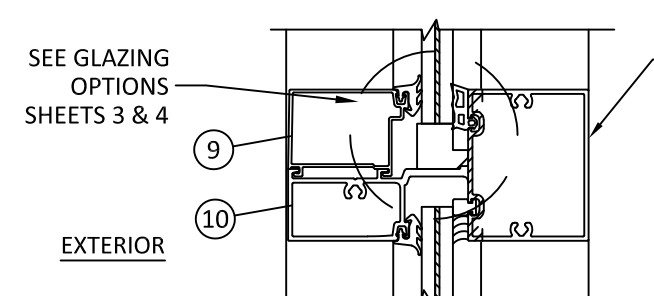
A1-14 VERTICAL SECTION
HEAD - CONCRETE/MASONRY W/ 1X BUCK MEDIUM/HEAVY CONFIGURATION



D1-14 VERTICAL SECTION
HEAD - WOOD FRAMING MEDIUM/HEAVY CONFIG. - TYP. INSTALLATION



E1-14 VERTICAL SECTION
HEAD - METAL SUBSTRATE MEDIUM/HEAVY CONFIG. - TYP. INSTALLATION

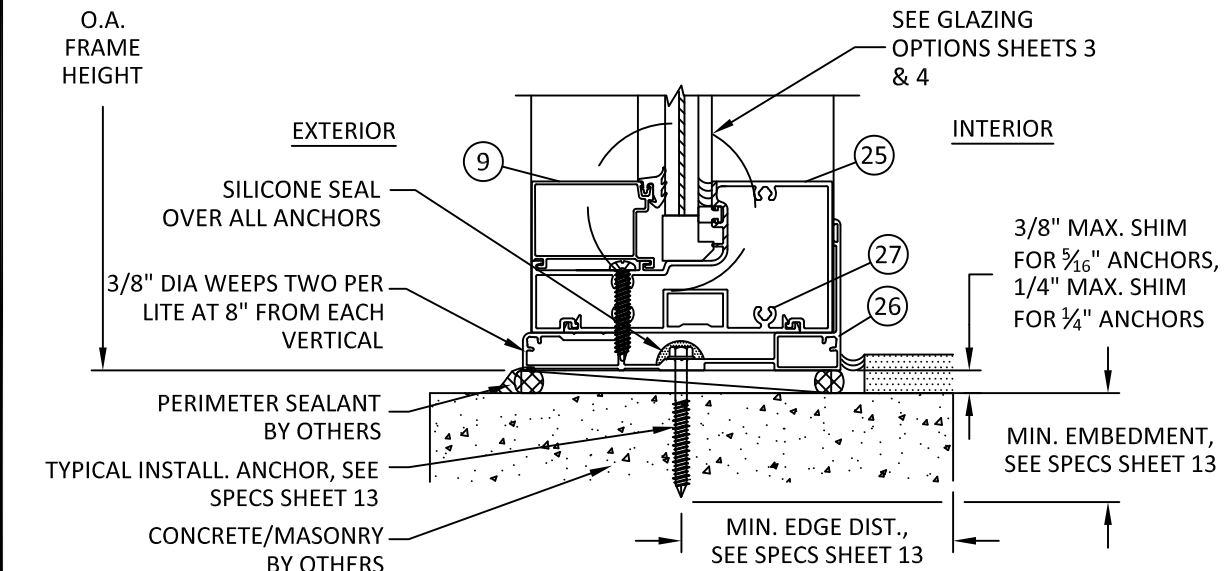


B1-13 VERTICAL SECTION
HORIZONTAL MEMBER

LIMIT DESIGN LOADS FOR HORIZONTAL AS FOLLOWS

MAX HORIZ. SPAN	MAX GLASS HEIGHT ABOVE HORIZ.	MAX DESIGN LOADS
60"	55-15/16"	65 PSF
60"	84"	55 PSF
66"	55-15/16"	45 PSF
66"	84"	37 PSF
72"	55-15/16"	32 PSF
72"	84"	25 PSF

DESIGN LOADS SHOWN ABOVE ARE BASED ON MAX. GLASS AREA ABOVE HORIZONTAL, FOR SIZES SMALLER THAN SHOWN ABOVE, ALLOWABLE DESIGN LOADS MAY BE CALCULATED SEPARATELY.



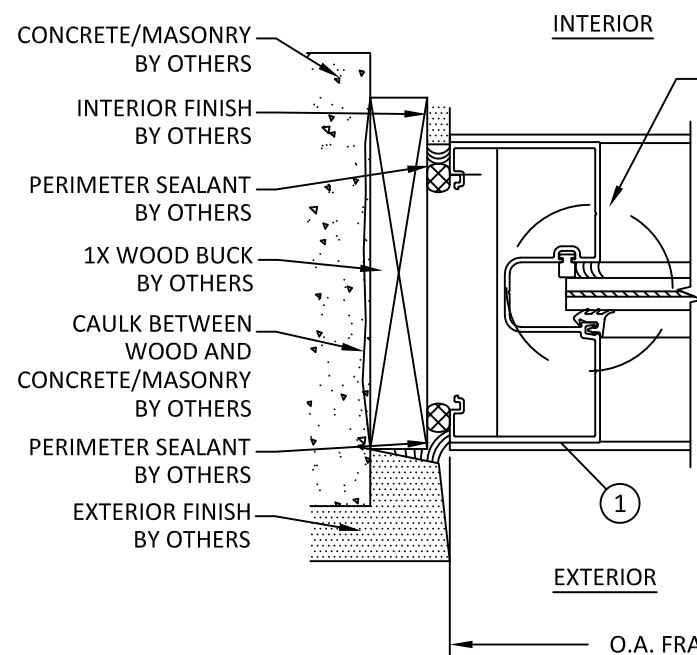
C1-14 VERTICAL SECTION
SILL - DIRECT TO CONCRETE/MASONRY MEDIUM/HEAVY CONFIGURATION

s:\projects\ykk_ap_america, inc.\tdi-21-0919 - tdi submittal - revision cwsf 51, cwsf 52, cwsf 53\dwg\ykk282_yhs 50 fs og_wr3.dwg 10/27/2021 1:38 PM

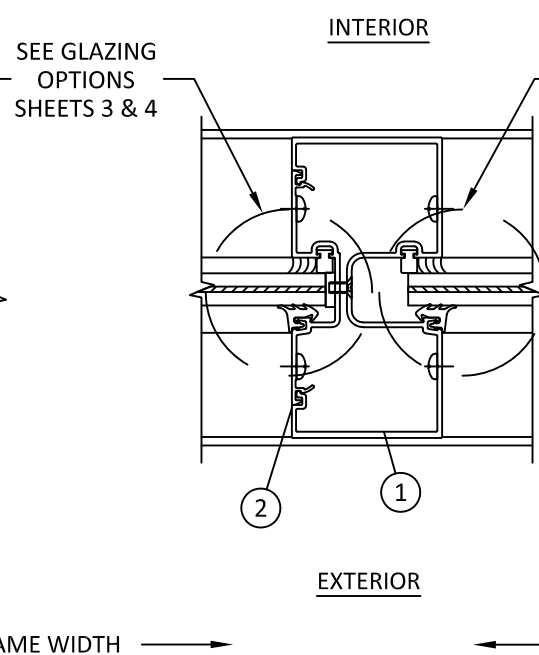
TITLE: YHS 50 FS ALUMINUM STOREFRONT SYSTEM - OUTSIDE GLAZED (IMPACT)

HORIZONTAL SECTIONS

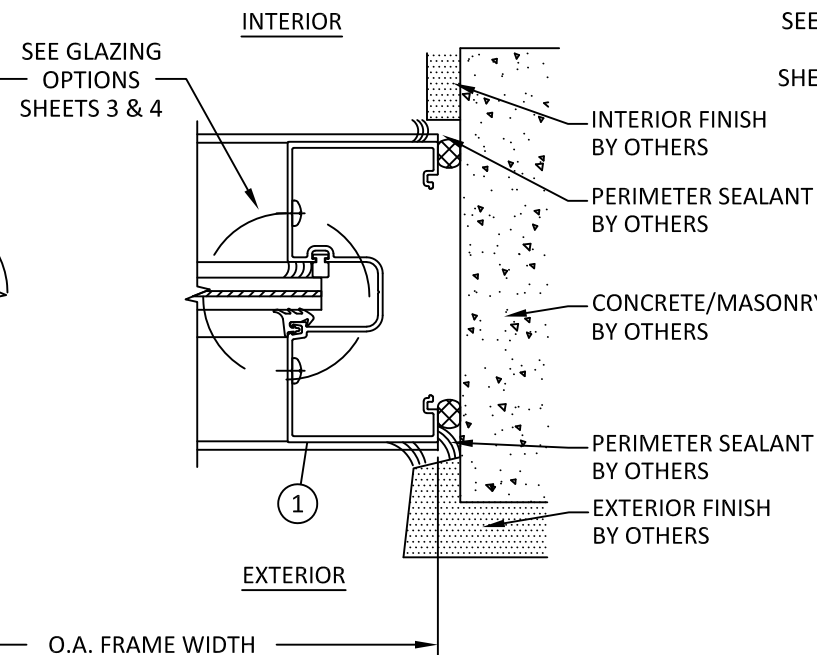
PREPARED BY: **BUILDING DROPS, INC.**
 398 E. DANIA BEACH BLVD., STE. 338
 DANIA BEACH, FL 33004
 PH: (954)399-8478
 FAX: (954)744-4738
 WEB: www.buildingdrops.com



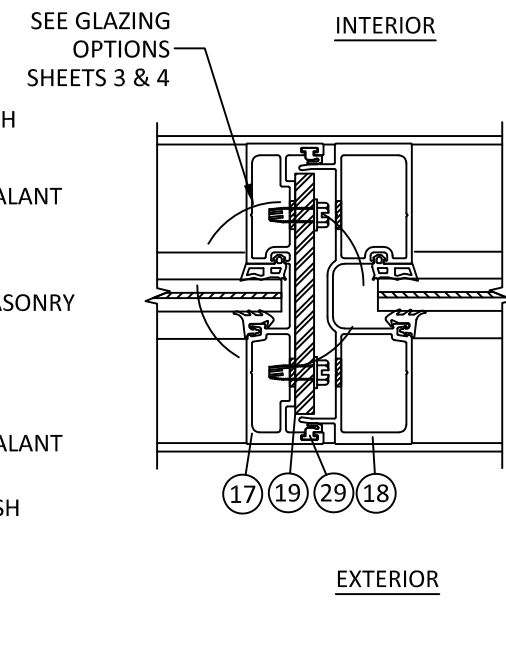
F **HORIZONTAL SECTION 15**
 JAMB - CONCRETE/MASONRY W/ 1X BUCK LIGHT CONFIGURATION



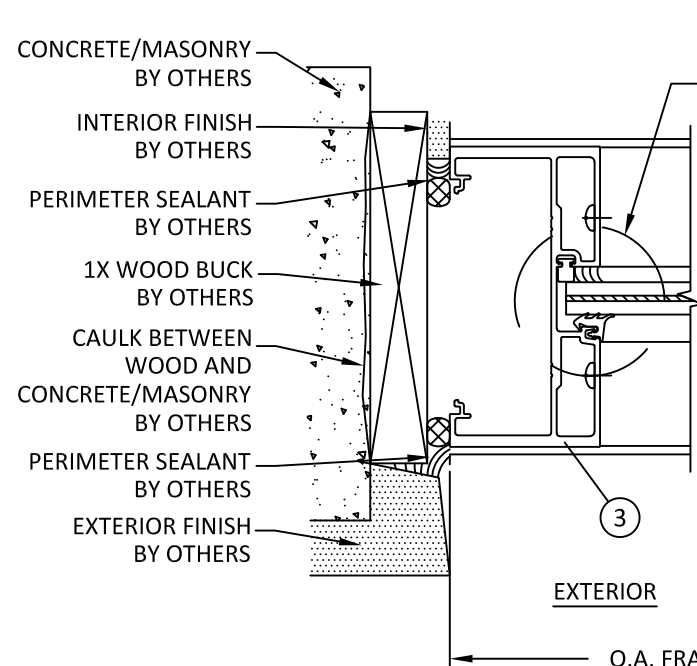
G **HORIZONTAL SECTION 15**
 VERTICAL MULLION LIGHT CONFIGURATION



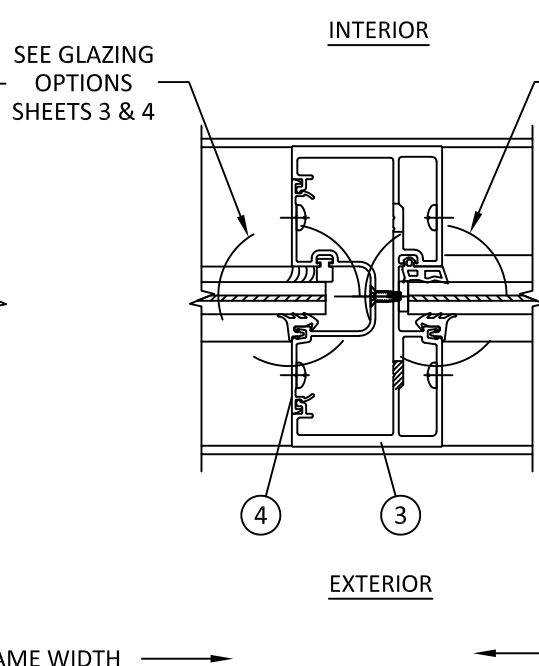
H **HORIZONTAL SECTION 15**
 JAMB - DIRECT TO CONCRETE/MASONRY LIGHT CONFIGURATION



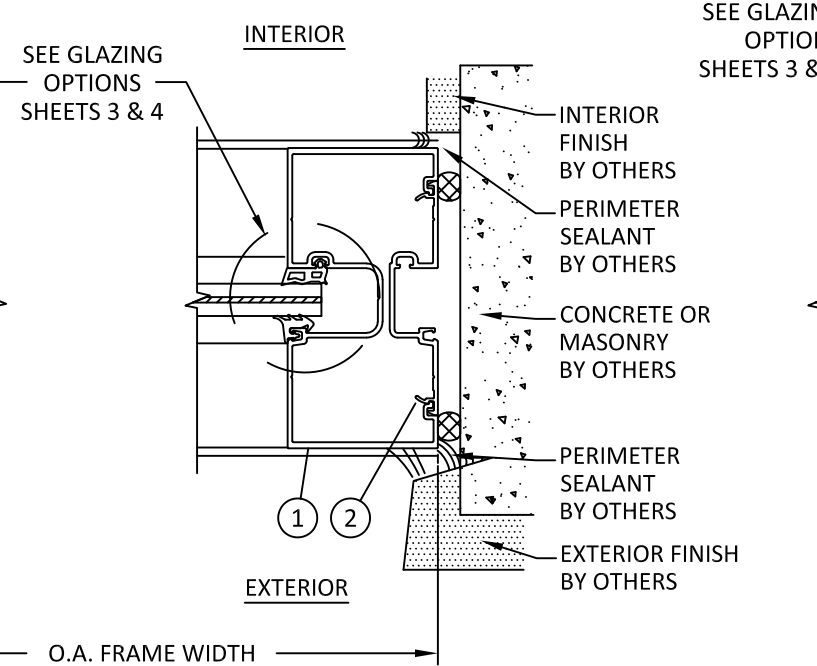
I **HORIZONTAL SECTION 15**
 VERTICAL EXPANSION MULLION



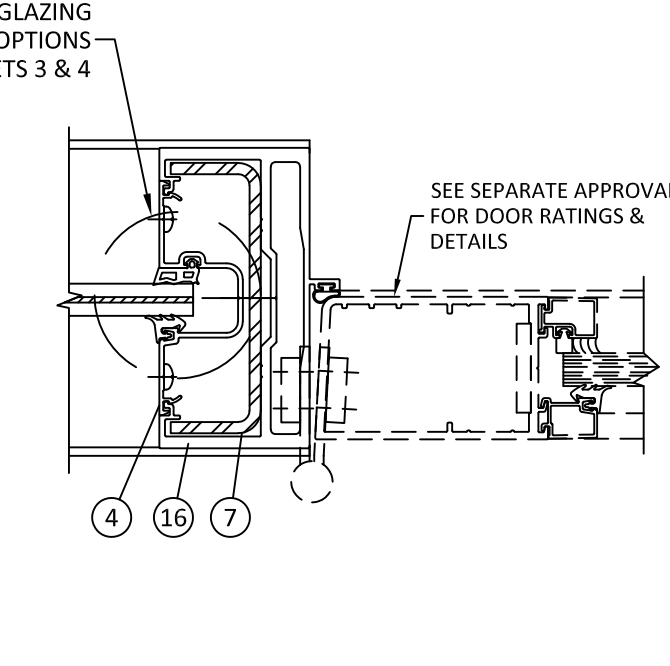
J **HORIZONTAL SECTION 15**
 JAMB - CONCRETE/MASONRY W/ 1X BUCK MEDIUM CONFIGURATION



K **HORIZONTAL SECTION 15**
 VERTICAL MULLION MEDIUM CONFIGURATION



L **HORIZONTAL SECTION 15**
 JAMB - DIRECT TO CONCRETE/MASONRY MEDIUM CONFIGURATION



M **HORIZONTAL SECTION 15**
 DOOR JAMB MULLION

THE INSTALLATION DETAILS DESCRIBED HEREIN ARE GENERIC AND MAY NOT REFLECT ACTUAL CONDITIONS FOR A SPECIFIC SITE. IF SITE CONDITIONS CAUSE INSTALLATION TO DEVIATE FROM THE REQUIREMENTS DETAILED HEREIN, A LICENSED ENGINEER OR ARCHITECT SHALL PREPARE SITE SPECIFIC DOCUMENTS FOR USE WITH THIS DOCUMENT.

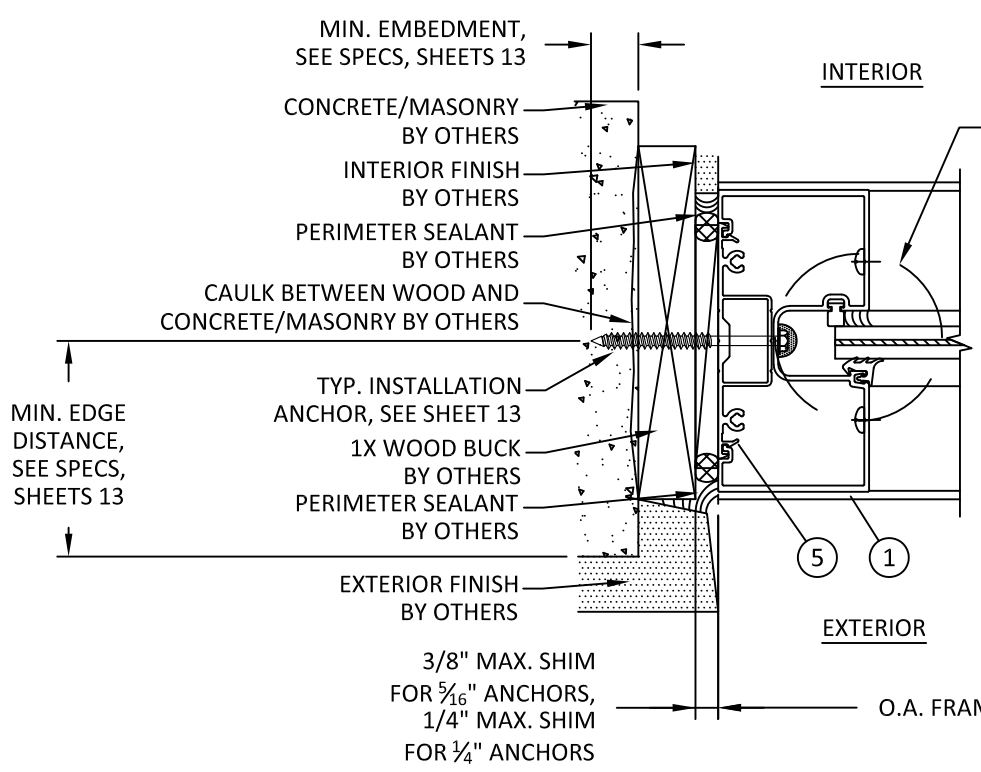


HERMES F. NORERO, P.E.
 TEXAS P.E. No. 118471
 BUILDING DROPS, INC.
 398 E. DANIA BEACH BLVD. # 338
 DANIA BEACH, FL 33004
 TBPE FIRM No. 13734

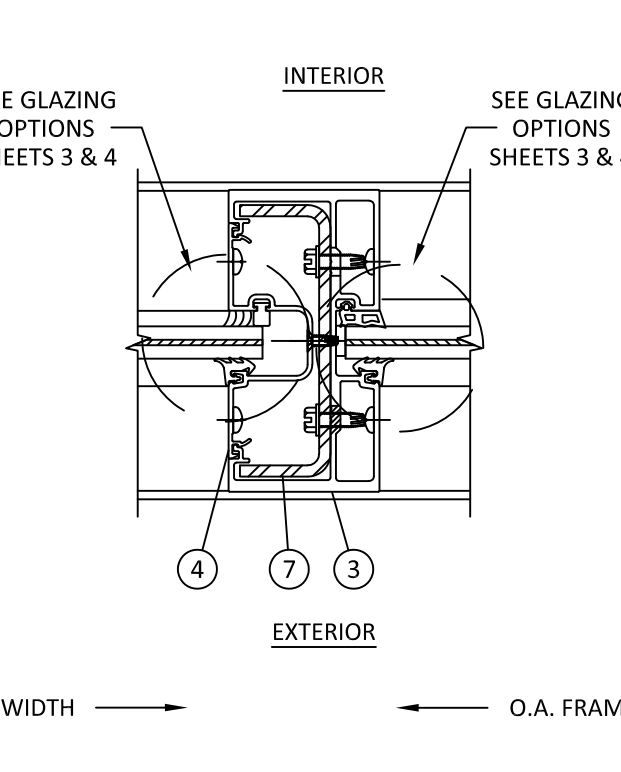
DATE:	09.20.21	
DWG. BY:	MS	CHK. BY: HFN
SCALE:	NTS	
DWG. #:	YKK282	
SHEET:	15	

10/27/2021 1:38 PM s:\projects\ykk_ap_america, inc.\tbl-21-0919 - tbl-submittal - revision cwsf 51, cwsf 52, cwsf 53\dwg\ykk282_yhs 50 fs og_wr3.dwg

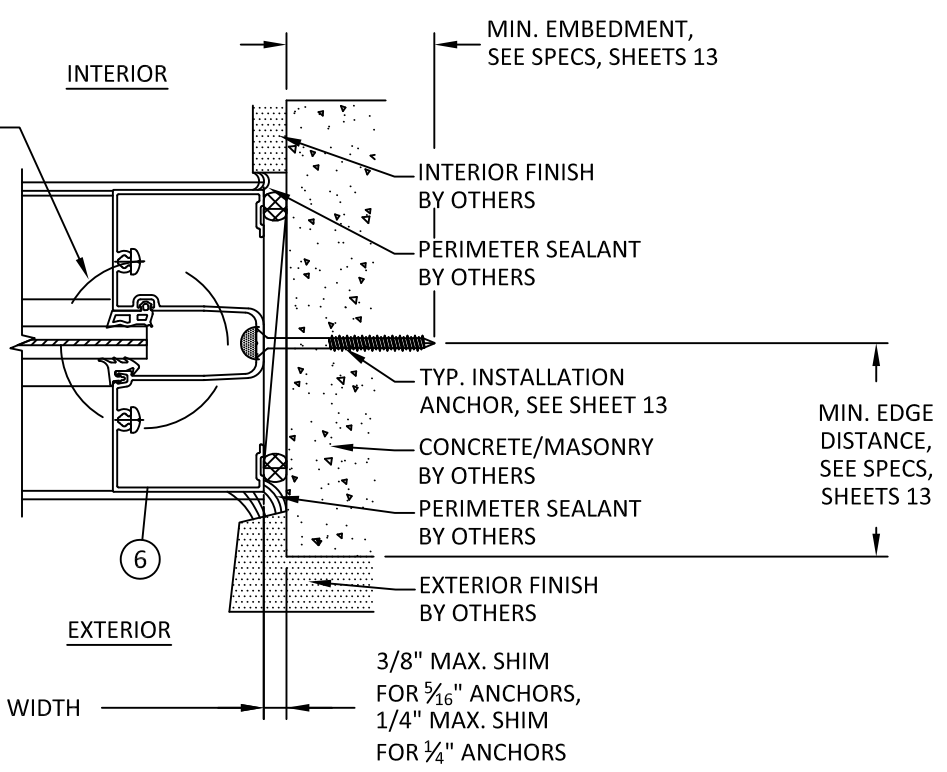
TITLE: YHS 50 FS ALUMINUM STOREFRONT SYSTEM - OUTSIDE GLAZED (IMPACT)
 HORIZONTAL SECTIONS
 PREPARED BY: **BUILDING DROPS, INC.**
 398 E. DANIA BEACH BLVD., STE. 338
 DANIA BEACH, FL 33004
 PH: (954)399-8478
 FAX: (954)744-4738
 WEB: www.buildingdrops.com



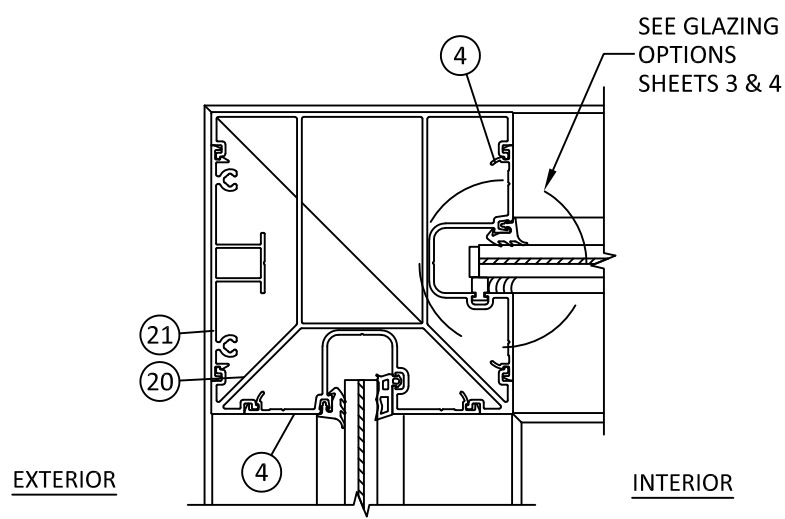
N HORIZONTAL SECTION
15 JAMB - CONCRETE/MASONRY W/ 1X BUCK HEAVY CONFIGURATION



O HORIZONTAL SECTION
15 VERTICAL MULLION HEAVY CONFIGURATION

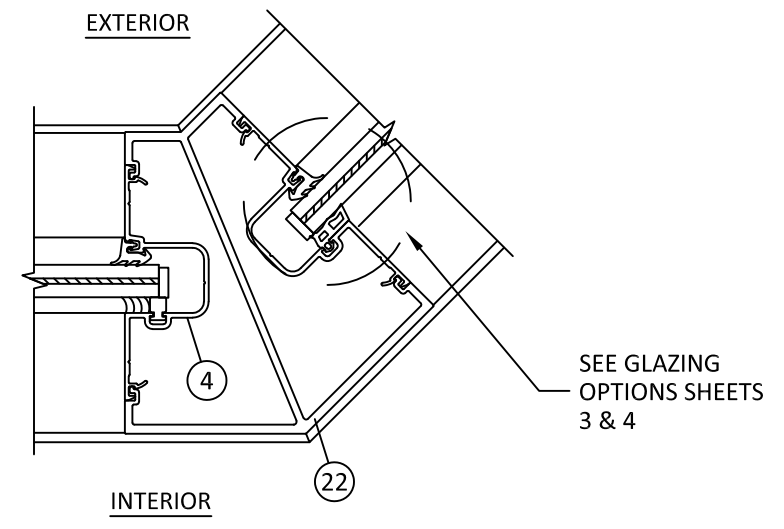


P HORIZONTAL SECTION
15 JAMB - DIRECT TO CONCRETE/MASONRY HEAVY CONFIGURATION



Q HORIZONTAL SECTION
15 90 DEGREE CORNER MULLION

NOTE: CORNER MULLIONS MAY BE ORIENTED TO EXTERIOR (AS SHOWN ON 90° DETAIL) OR TO INTERIOR (AS SHOWN ON 135° DETAIL).



R HORIZONTAL SECTION
15 135 DEGREE CORNER MULLION

REMARKS	BY	DATE

THE INSTALLATION DETAILS DESCRIBED HEREIN ARE GENERIC AND MAY NOT REFLECT ACTUAL CONDITIONS FOR A SPECIFIC SITE. IF SITE CONDITIONS CAUSE INSTALLATION TO DEVIATE FROM THE REQUIREMENTS DETAILED HEREIN, A LICENSED ENGINEER OR ARCHITECT SHALL PREPARE SITE SPECIFIC DOCUMENTS FOR USE WITH THIS DOCUMENT.



HERMES F. NORERO, P.E.
 TEXAS P.E. No. 118471
 BUILDING DROPS, INC.
 398 E. DANIA BEACH BLVD. # 338
 DANIA BEACH, FL 33004
 TBPE FIRM No. 13734

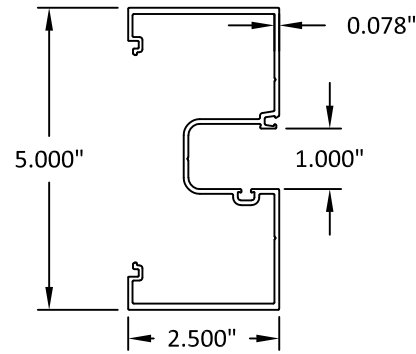
DATE:	09.20.21
DWG. BY:	MS
CHK. BY:	HFN
SCALE:	NTS
DWG. #:	YKK282
SHEET:	16

10/27/2021 1:38 PM s:\projects\ykk_ap_america, inc.\tbl-21-0919 - tbl-submittal - revision cwsf 51, cwsf 52, cwsf 53\dwg\ykk282_yhs 50 fs og_wr3.dwg

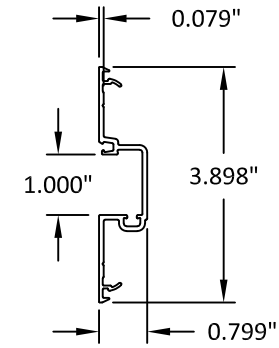
10/27/2021 1:38 PM

s:\projects\ykk_ap_america, inc.\tdi-21-0919 - tdi submittal - revision cwsf 51, cwsf 52, cwsf 53\dwgs\ykk282_yms 50 fs og wr3.dwg

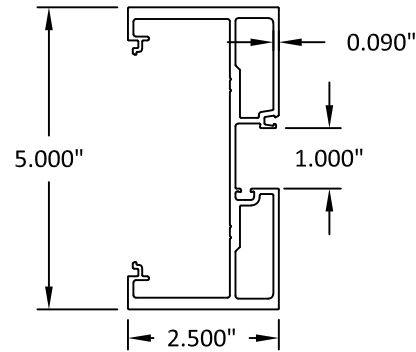
ITEM	PART NO.	DESCRIPTION	MATERIAL
1	E9-0623	JAMB / VERTICAL	6063-T5
2	E9-0617	SHALLOW POCKET FILLER	6063-T5
3	E9-0605	HEAVY DUTY VERTICAL	6063-T6
4	E9-0606	DEEP POCKET FILLER	6063-T5
5	E1-1068	FLAT FILLER AT PERIMETER ANCHOR	6063-T5
6	E9-0622	HEAD / JAMB	6063-T5
7	E1-1062	STEEL CHANNEL (1-1/2" X 4-1/2" X 3/16")	A36 STEEL
9	E9-0608	GLASS STOP	6063-T5
10	E9-0603	HORIZONTAL	6063-T5
11	E9-0624	SILL (UP TO ±50 PSF)	6063-T5
13	E9-0625	SILL FLASHING (UP TO ±50 PSF)	6063-T5
14	E2-0088	INTERIOR GLAZING GASKET	EPDM
15	E2-0083	EXTERIOR GLAZING GASKET	EPDM
16	E9-0504	DOOR JAMB O/P	6063-T6
17	E9-0518	EXPANSION MULLION (FEMALE)	6063-T6
18	E9-0519	EXPANSION MULLION (MALE)	6063-T6
19	---	EXPANSION MULLION REINFORCEMENT	STEEL
20	E9-0659	90° CORNER MULLION	6063-T5
21	E9-0657	CORNER MULLION FILLER	6063-T5
22	E9-0660	135° CORNER MULLION	6063-T5
23	E2-0084	INTERIOR SILICONE SPACER	SILICONE
24	E2-0080	SETTING BLOCK	EPDM (85±5)
25	E9-0615	SILL (UP TO +70/-90 PSF)	6063-T5
26	E9-0619	SILL FLASHING (UP TO +70/-90 PSF)	6063-T5
27	E1-1071	ANCHOR FILLER	6063-T5
28	E9-0601	HEAD	6063-T6
29	K2-2441	WEATHERING GASKET	EPDM



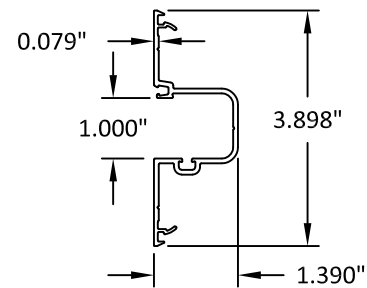
1 JAMB/VERTICAL



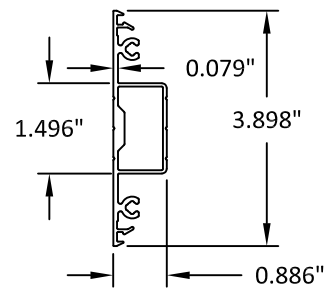
2 SHALLOW POCKET FILLER



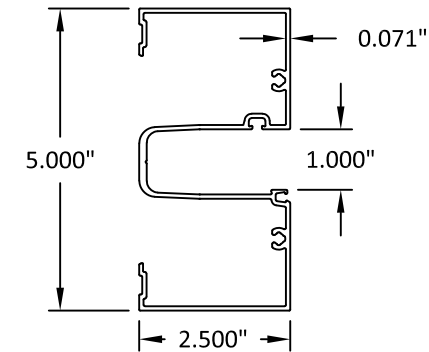
3 HEAVY DUTY VERTICAL



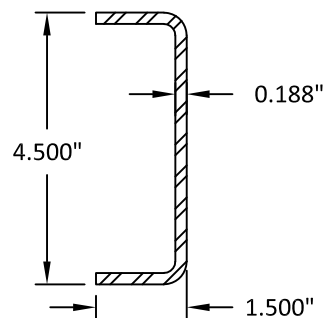
4 DEEP POCKET FILLER



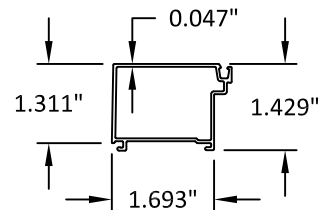
5 FLAT FILLER AT PERIMETER ANCHOR



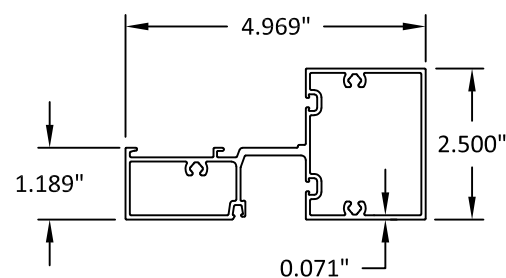
6 HEAD/JAMB



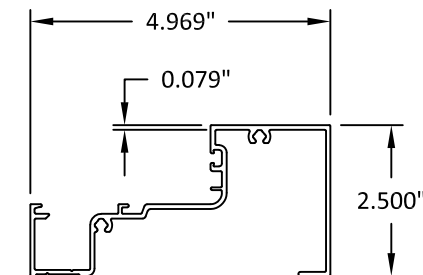
7 STEEL CHANNEL (1-1/2" X 4-1/2" X 3/16")



9 GLASS STOP



10 HORIZONTAL



11 SILL (UP TO ± 50 PSF)



YKK AP AMERICA, INC.
 1229 HWY 441 BYPASS
 DUBLIN, GEORGIA 31021
 PH: (478)277-1955 FAX: (678)838-6001

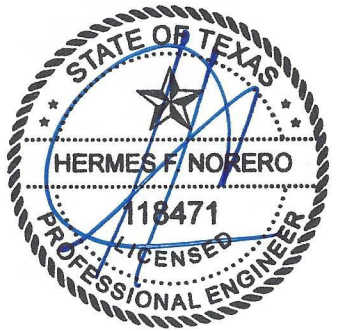
TITLE: YHS 50 FS ALUMINUM STOREFRONT SYSTEM - OUTSIDE GLAZED (IMPACT)
 COMPONENTS & BILL OF MATERIALS

PREPARED BY: **BUILDING DROPS, INC.**
 398 E. DANIA BEACH BLVD., STE. 338
 DANIA BEACH, FL 33004
 PH: (954)399-8478
 FAX: (954)744-4738
 WEB: www.buildingdrops.com



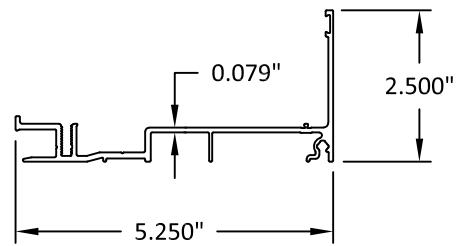
REMARKS	BY	DATE

THE INSTALLATION DETAILS DESCRIBED HEREIN ARE GENERIC AND MAY NOT REFLECT ACTUAL CONDITIONS FOR A SPECIFIC SITE. IF SITE CONDITIONS CAUSE INSTALLATION TO DEVIATE FROM THE REQUIREMENTS DETAILED HEREIN, A LICENSED ENGINEER OR ARCHITECT SHALL PREPARE SITE SPECIFIC DOCUMENTS FOR USE WITH THIS DOCUMENT.

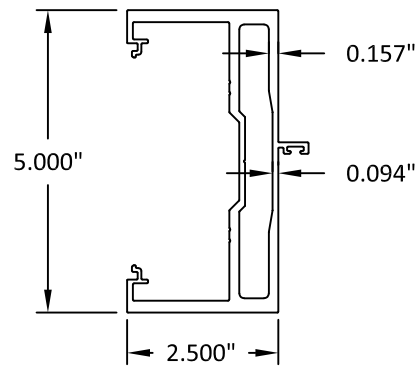


HERMES F. NORERO, P.E.
 TEXAS P.E. No 118471
 BUILDING DROPS, INC
 398 E. DANIA BEACH BLVD. # 338
 DANIA BEACH, FL 33004
 TBPE FIRM No. 13734

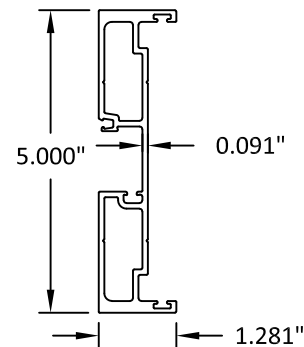
DATE:	09.20.21	
DWG. BY:	MS	CHK. BY: HFN
SCALE:	NTS	
DWG. #:	YKK282	
SHEET:	17	



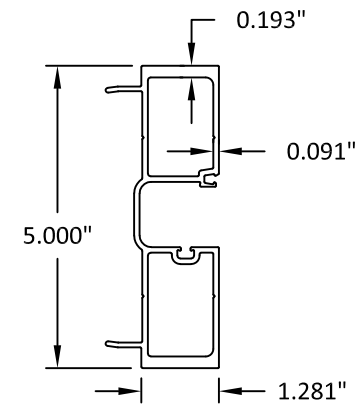
13 SILL FLASHING (UP TO ± 50 PSF)



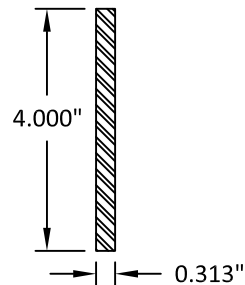
16 DOOR JAMB O/P



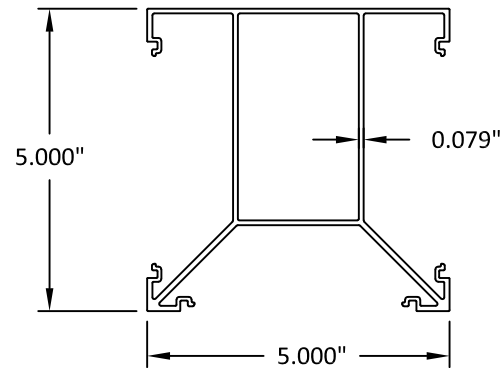
17 EXPANSION MULLION (FEMALE)



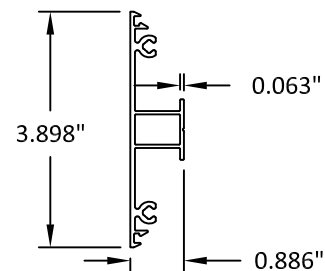
18 EXPANSION MULLION (MALE)



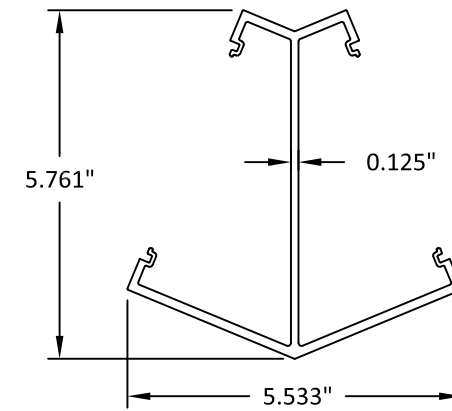
19 STEEL REINFORCEMENT BAR



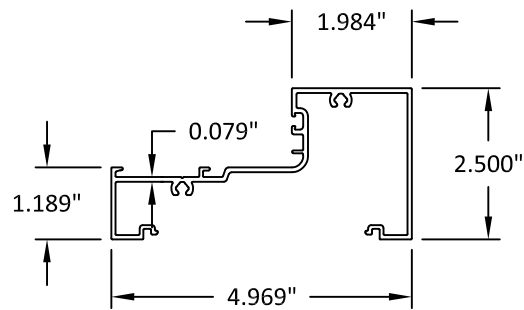
20 90 DEGREE CORNER MULLION



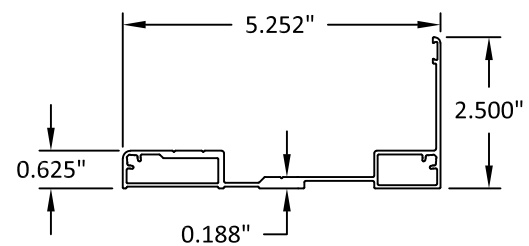
21 CORNER MULLION FILLER



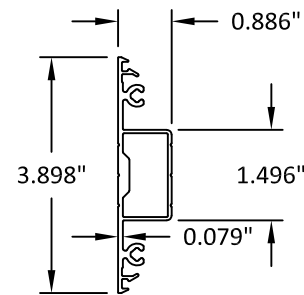
22 135 DEGREE CORNER MULLION



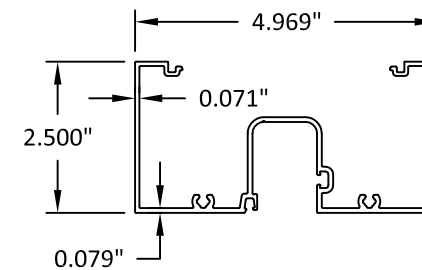
25 SILL (UP TO +70/-90 PSF)



26 SILL FLASHING (UP TO +70/-90 PSF)



27 ANCHOR FILLER



28 HEAD



YKK AP AMERICA, INC.
 1229 HWY 441 BYPASS
 DUBLIN, GEORGIA 31021
 PH: (478)277-1955 FAX: (678)838-6001

TITLE: YHS 50 FS ALUMINUM STOREFRONT SYSTEM - OUTSIDE GLAZED (IMPACT) COMPONENTS

PREPARED BY: **BUILDING DROPS, INC.**
 398 E. DANIA BEACH BLVD., STE. 338
 DANIA BEACH, FL 33004
 PH: (954)399-8478
 FAX: (954)744-4738
 WEB: www.buildingdrops.com



REMARKS	BY	DATE

THE INSTALLATION DETAILS DESCRIBED HEREIN ARE GENERIC AND MAY NOT REFLECT ACTUAL CONDITIONS FOR A SPECIFIC SITE. IF SITE CONDITIONS CAUSE INSTALLATION TO DEVIATE FROM THE REQUIREMENTS DETAILED HEREIN, A LICENSED ENGINEER OR ARCHITECT SHALL PREPARE SITE SPECIFIC DOCUMENTS FOR USE WITH THIS DOCUMENT.



HERMES F. NORERO, P.E.
 TEXAS P.E. No 118471
 BUILDING DROPS, INC
 398 E. DANIA BEACH BLVD. # 338
 DANIA BEACH, FL 33004
 TBPE FIRM No. 13734

DATE: 09.20.21

DWG. BY: MS

CHK. BY: HFN

SCALE: NTS

DWG. #: YKK282

SHEET:

18