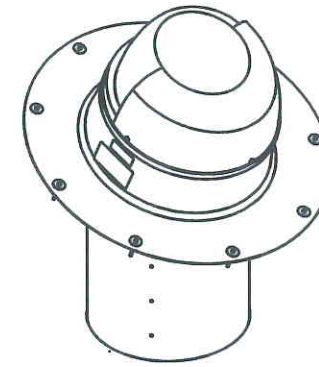
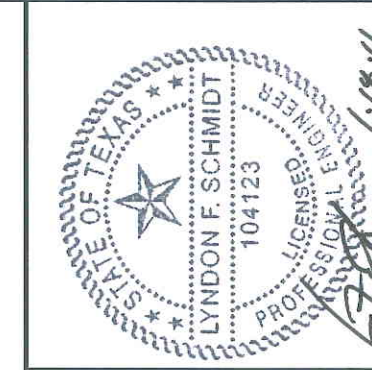


ODL TUBULAR SKYLIGHT "EZ" MODEL "NON-IMPACT"



MODEL NO. EZ14SCMNH (SHOWN)

MODEL NUMBER	DESIGN PRESSURE (PSF)	
	POSITIVE	NEGATIVE
EZ10SCMNH EZ14SCMNH EZ10PRO2 EZ14PRO2	+90.0	-90.0



Documents Prepared By: Lyndon F. Schmidt, P.E.
TEXAS P.E. #104123

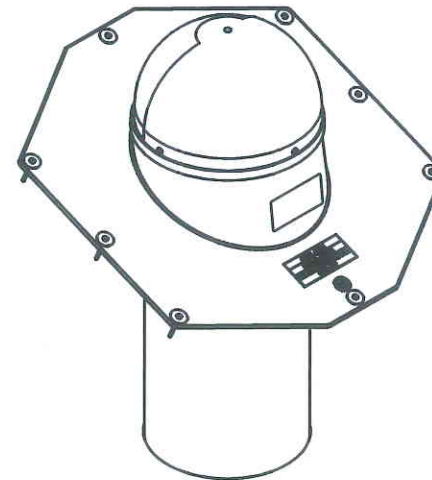
RW BUILDING CONSULTANTS, INC.
P.O. Box 230 Vairico FL 33595
Phone No.: 813.659.9197

TEXAS BOARD OF PROFESSIONAL ENGINEERS
CERTIFICATE OF REGISTRATION # F-11652

EVALUATED FOR USE IN THE STATE OF TEXAS

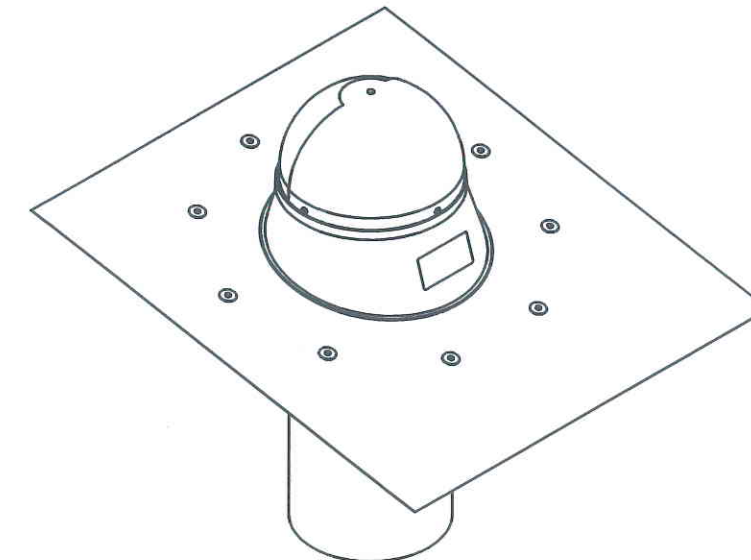
The ODL Tubular Skylight described herein complies with the 2006 International Residential Code (IRC), Sections R308.6 and the 2006 International Building Code (IBC), Sections 1609, 2405, and 2610 (including Texas revisions) subject to the following conditions:

1. Anchors shall be as listed and spaced as shown in the details. Anchor embedment to base material shall be beyond roof covering.
2. When used in areas requiring wind-borne debris protection this product is required to be protected with an impact resistant covering that complies with Section R301.2.1.2 of the IRC and Section 1609.1.2 of the IBC.
3. Allowable design pressure requirements must be equal to or less than the design pressure rating shown in the design pressure charts, sheet 1 of this drawing.
4. Conditions not covered by this drawing are subject to further engineering analysis.



MODEL NO. EZ14SCANH (SHOWN)

MODEL NUMBER	DESIGN PRESSURE (PSF)	
	POSITIVE	NEGATIVE
EZ10SCAK EZ10SCANH EZ10PRO3	+90.0	-90.0
EZ14SCANH EZ14PRO3	+80.0	-80.0



MODEL NO. EZ14SCG (SHOWN)

MODEL NUMBER	DESIGN PRESSURE (PSF)	
	POSITIVE	NEGATIVE
EZ10SCG	+65.0	-65.0
EZ14SCG	+50.0	-50.0

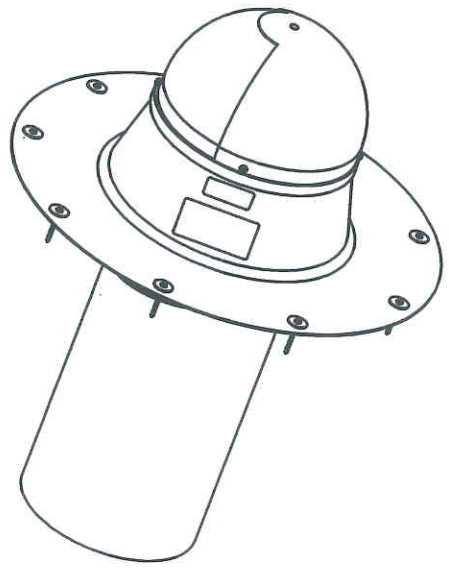
SUPPORTING DOCUMENTS & EVIDENCE

1. Testing per AAMA/WDMA/CSA 101/I.S.2/A440-08:
Architectural Testing, Inc. test report(s) #:
ATI 84003.01-109-44, ATI 84005.01-109-44 & ATI 84008.01-109-44.
2. Calculations (Anchoring) prepared by Lyndon F. Schmidt, P.E.
3. Certificate of Participation issued by National Accreditation and Management Institute, certifying that ODL is manufacturing products within a Quality Assurance program.

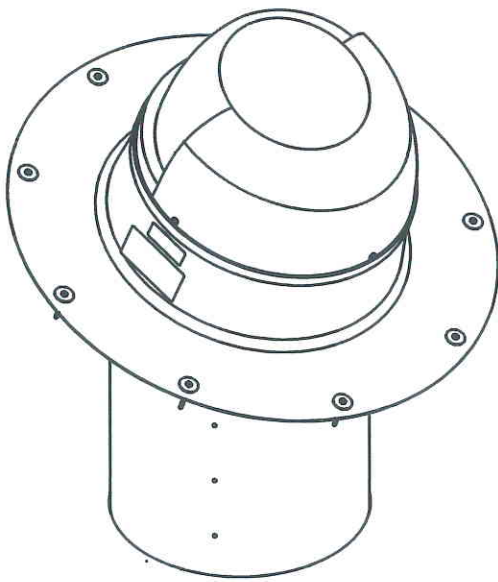
TABLE OF CONTENTS	
SHEET#	DESCRIPTION
1	Typical elevations, design pressures & general notes
2	Skylight details
3	Skylight details
4	Skylight details

PRODUCT: ODL TUBULAR SKYLIGHT	
PART OR ASSEMBLY: TYPICAL ELEVATION, DESIGN PRESSURES & GENERAL NOTES	
NO.	DATE
BY	REVISIONS
DATE: 01/18/11	
SCALE: N.T.S.	
DWG. BY: JK	
CHK. BY: LFS	
DRAWING NO.: TX-4057	
SHEET 1 OF 4	

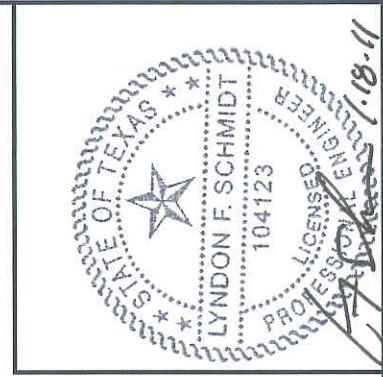
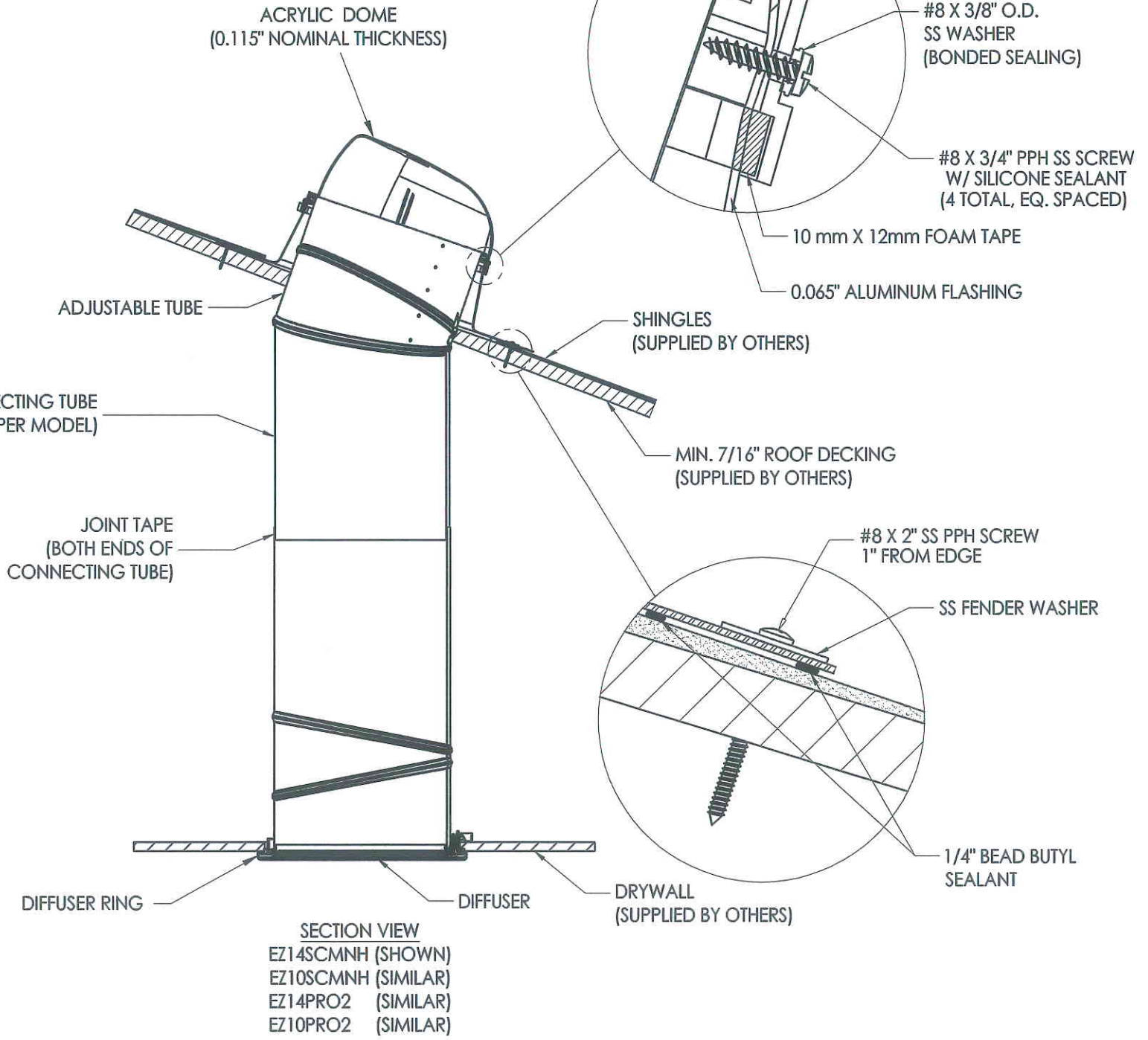
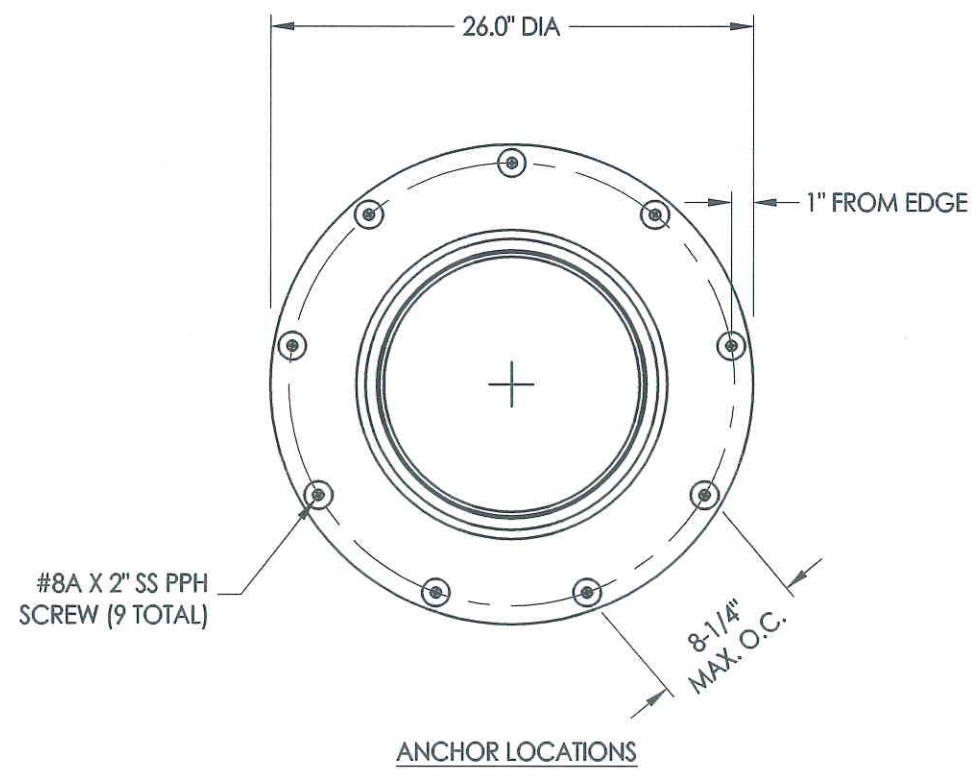
R:\A - Projects\Project Folders\proj 1501 - 1600\PF 1531\DWG.RWBC Drawings\Texas.dwg, 4057.2



MODEL NO. EZ10SCMNH
MODEL NO. EZ10PRO2



MODEL NO. EZ14SCMNH
MODEL NO. EZ14PRO2



Documents Prepared By: Lyndon F. Schmidt, P.E.
TEXAS P.E. #104123

RW BUILDING CONSULTANTS, INC.
P.O. Box 230 Valrico FL 33595
Phone No.: 813.659.9197

TEXAS BOARD OF PROFESSIONAL ENGINEERS
CERTIFICATE OF REGISTRATION # F-11852

PRODUCT: ODL TUBULAR SKYLIGHT

PART OR ASSEMBLY: SKYLIGHT DETAILS

NO.	DATE	REVISIONS	BY

DATE: 01/18/11

SCALE: N.T.S.

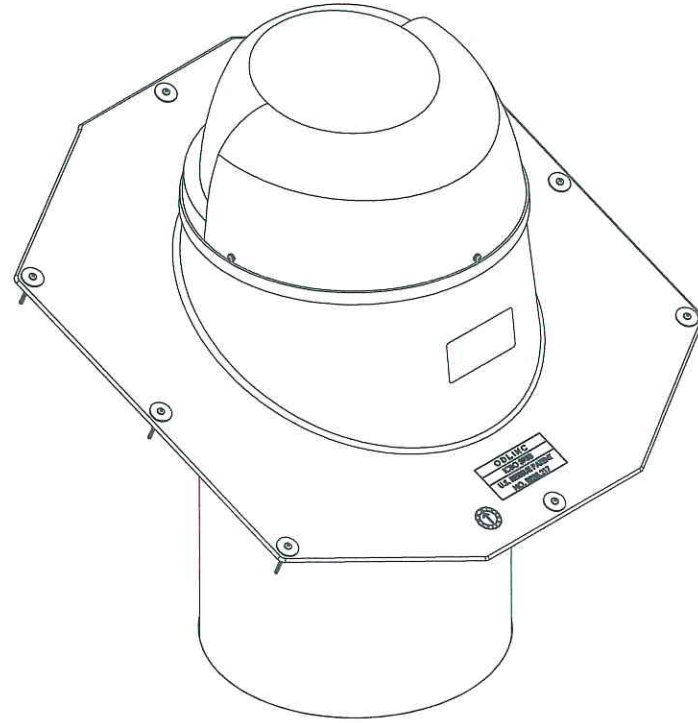
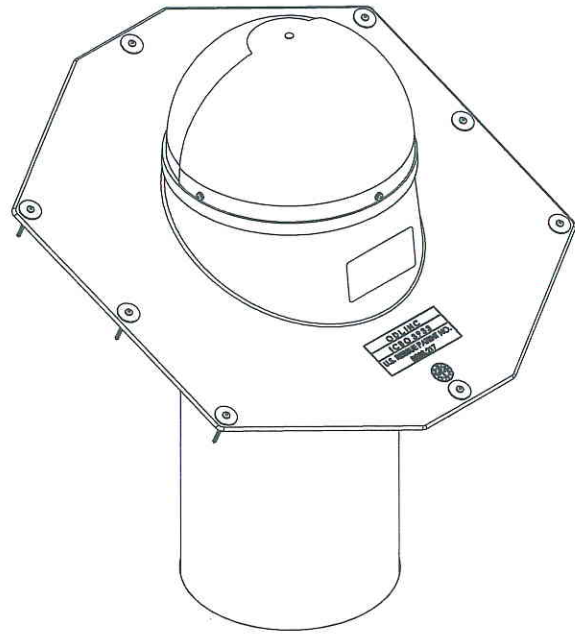
DWG. BY: JK

CHK. BY: LFS

DRAWING NO.: TX-4057

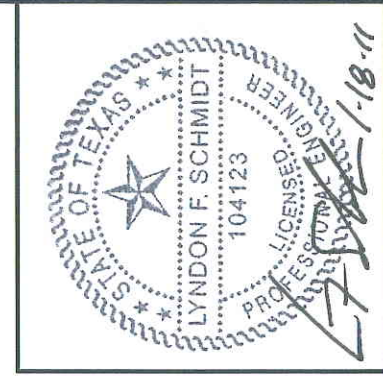
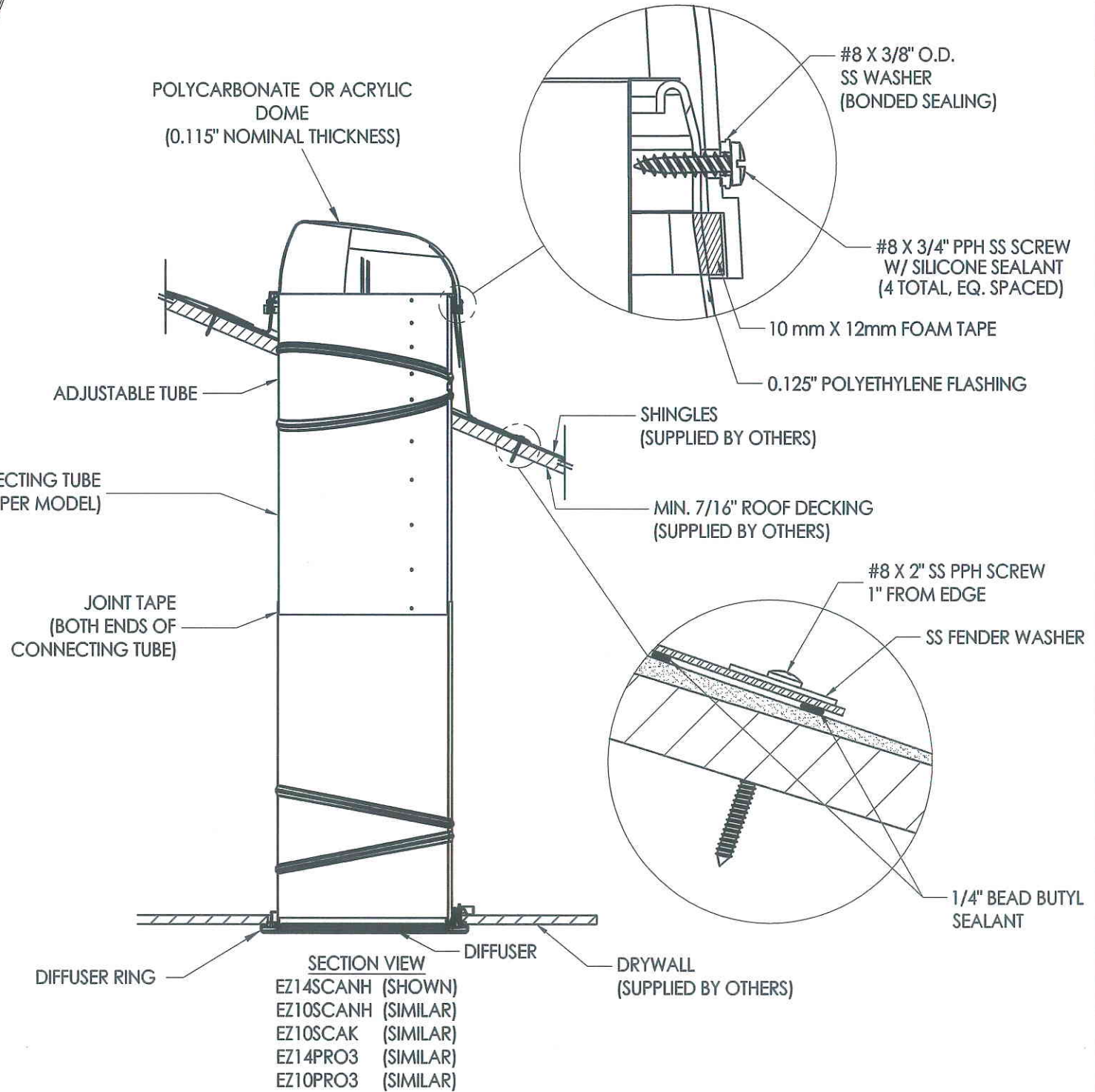
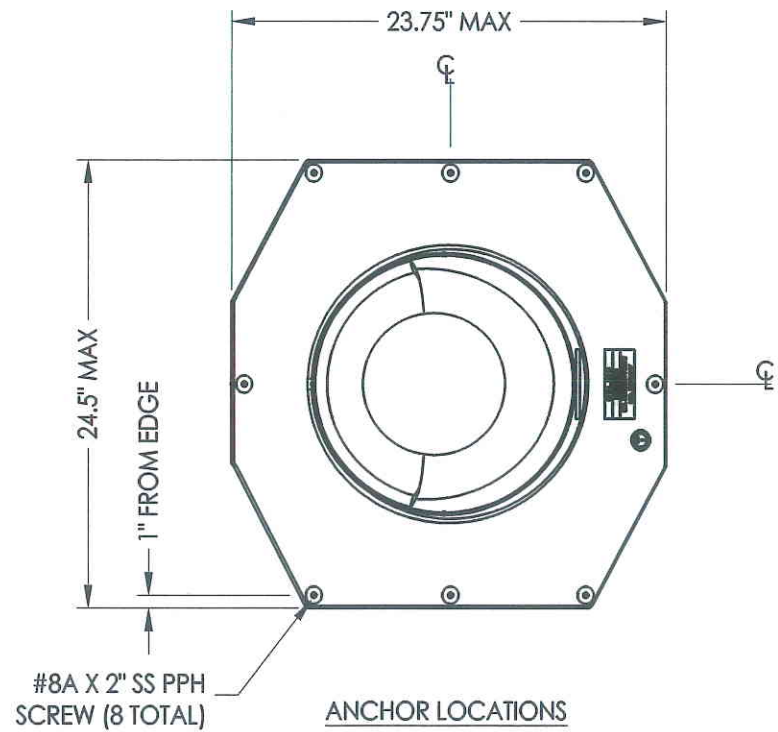
SHEET 2 OF 4

R:\A - Projects\Project Folders\proj 1501 - 1600\PF 1531\D. RWBC Drawings\Texas.dwg, 4057.3



MODEL NO. EZ10SCANH
MODEL NO. EZ10SCAK
MODEL NO. EZ10PRO3

MODEL NO. EZ14SCANH
MODEL NO. EZ14PRO3



Documents Prepared By: Lyndon F. Schmidt, P.E.
TEXAS P.E. #104123

RW BUILDING CONSULTANTS, INC.
P.O. Box 230 Vairico FL. 33595
Phone No.: 813.659.9197

TEXAS BOARD OF PROFESSIONAL ENGINEERS
CERTIFICATE OF REGISTRATION # F-11852

PRODUCT: ODL TUBULAR SKYLIGHT

PART OR ASSEMBLY: SKYLIGHT DETAILS

NO.	DATE	BY

DATE: 01/18/11
SCALE: N.T.S.
DWG. BY: JK
CHK. BY: LFS
DRAWING NO.: TX-4057
SHEET 3 OF 4

