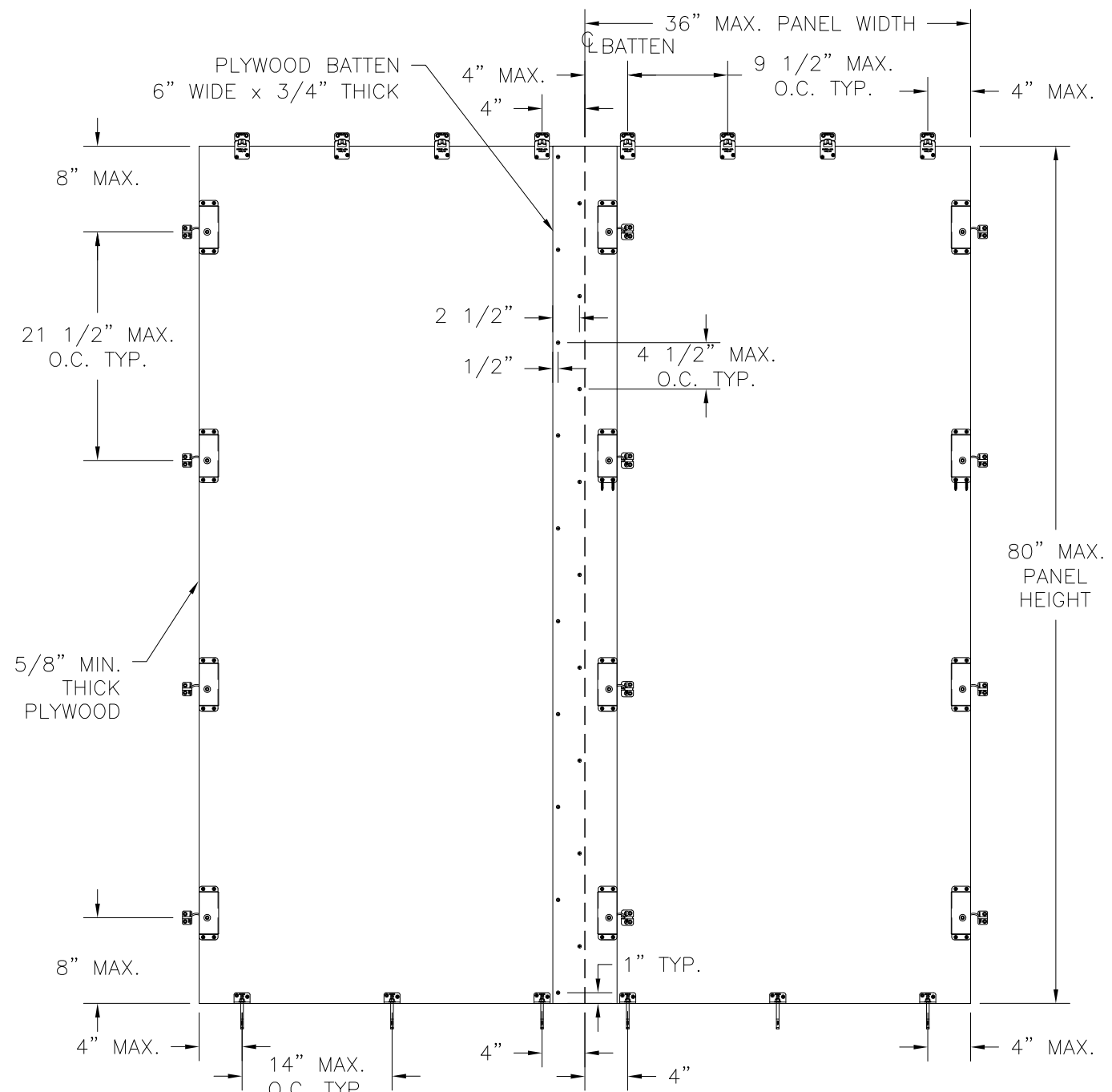


REVISIONS			
REV	DESCRIPTION	DATE	APPROVED
A	REVISED SYSTEM AND NOTES	06/24/11	R.L.
B	ADDED SILL INSTALLATION OPTIONS	08/29/11	R.L.



NOTES:

- 1) THE PRODUCT SHOWN HEREIN IS DESIGNED AND MANUFACTURED TO COMPLY WITH REQUIREMENTS OF THE 2006 INTERNATIONAL BUILDING CODE AND 2006 INTERNATIONAL RESIDENTIAL CODE WITH TEXAS STATE MODIFICATIONS.
- 2) WOOD FRAMING AND MASONRY OPENING TO BE DESIGNED AND ANCHORED TO PROPERLY TRANSFER ALL LOADS TO STRUCTURE. FRAMING AND MASONRY OPENING IS THE RESPONSIBILITY OF THE ARCHITECT OR ENGINEER OF RECORD.
- 3) ALLOWABLE STRESS INCREASE OF 1/3 WAS NOT USED IN THE DESIGN OF THE PRODUCT SHOWN HEREIN. WIND LOAD DURATION FACTOR Cd=1.6 WAS USED FOR WOOD ANCHOR CALCULATIONS.
- 4) MATERIAL: ALL COMPONENTS ARE FORMED STEEL. SEE COMPONENTS SHEET 2 FOR GRADE AND THICKNESS.
- 5) SHUTTER PANEL MUST HAVE A 1" MINIMUM SEPARATION FROM EXISTING GLASS.
- 6) FOR ANCHORING RECEIVER OR HOOK INTO GROUT FILLED HOLLOW BLOCK/CONCRETE USE 3/16" ITW TAPCONS WITH SUFFICIENT LENGTH TO ACHIEVE A 1 3/4" MINIMUM EMBEDMENT INTO SUBSTRATE WITH 1" MINIMUM EDGE DISTANCE. LOCATE ANCHORS AS SHOWN IN ELEVATIONS AND INSTALLATION DETAILS.
- 7) FOR ANCHORING BOTTOM STOP INTO CONCRETE USE 1/4" ITW TAPCONS WITH SUFFICIENT LENGTH TO ACHIEVE A 1 3/4" MINIMUM EMBEDMENT INTO SUBSTRATE WITH 2 1/2" MINIMUM EDGE DISTANCE. LOCATE ANCHORS AS SHOWN IN ELEVATIONS AND INSTALLATION DETAILS.
- 8) FOR ANCHORING RECEIVER OR HOOK INTO 2X WOOD FRAMING USE #10 WOOD SCREW WITH SUFFICIENT LENGTH TO ACHIEVE A 1 3/8" MINIMUM EMBEDMENT INTO SUBSTRATE. LOCATE ANCHORS AS SHOWN IN ELEVATIONS AND INSTALLATION DETAILS.
- 9) FOR ANCHORING BOTTOM STOP INTO 2X WOOD FRAMING USE 1/4" LAG SCREW WITH SUFFICIENT LENGTH TO ACHIEVE A 1 1/2" MINIMUM EMBEDMENT INTO SUBSTRATE. LOCATE ANCHORS AS SHOWN IN ELEVATIONS AND INSTALLATION DETAILS.
- 10) FOR ANCHORING HANGER, BOTTOM STOP OR TOP AND BOTTOM LATCH INTO WOOD SHUTTER SYSTEM, (5/8" THICK MINIMUM), USE #10 WOOD SCREW WITH SUFFICIENT LENGTH TO ACHIEVE A 5/8" MINIMUM EMBEDMENT INTO PANEL. CENTER LATCHES USE #10 MACHINE SCREW WITH NUT AND WASHERS. MACHINE SCREW MUST ACHIEVE 3-THREADS BEYOND NUT MINIMUM ENGAGEMENT. LOCATE ANCHORS AS SHOWN IN ELEVATIONS AND INSTALLATION DETAILS.
- 11) ALL FASTENERS TO BE CORROSION RESISTANT.
- 12) INSTALLATION ANCHORS SHALL BE INSTALLED IN ACCORDANCE WITH ANCHOR MANUFACTURER'S INSTALLATION INSTRUCTIONS, AND ANCHORS SHALL NOT BE USED IN SUBSTRATES WITH STRENGTHS LESS THAN THE MINIMUM STRENGTH SPECIFIED BELOW:
  - A. WOOD - MINIMUM SPECIFIC GRAVITY OF G=0.42
  - B. CONCRETE - MINIMUM COMPRESSIVE STRENGTH OF 2,000 PSI.
  - C. MASONRY - GROUT FILLED HOLLOW BLOCK.

**HURRICANE SHUTTER SYSTEM MULTIPLE PANEL  
FLUSH MOUNT HARDWARE**

EXTERIOR VIEW

DOUBLE UNIT SHOWN, UNLIMITED NUMBER OF PANELS ARE APPROVED AS LONG AS  
INDIVIDUAL PANEL SIZE DOES NOT EXCEED PANEL SIZE SHOWN HEREIN

DESIGN PRESSURE RATING	IMPACT RATING
±45PSF	LARGE AND SMALL MISSILE IMPACT

TABLE OF CONTENTS	
SHEET NO.	DESCRIPTION
1	ELEVATION, ANCHORING AND NOTES
2	COMPONENTS
3 - 5	INSTALLATION DETAILS

**NORSE, INC.**  
100 SOUTH ROAD  
TORRINGTON, CT 06790

HURRICANE SHUTTER SYSTEM MULTIPLE PANEL  
FLUSH MOUNT HARDWARE - IMPACT  
ELEVATION, ANCHORING LAYOUT AND NOTES

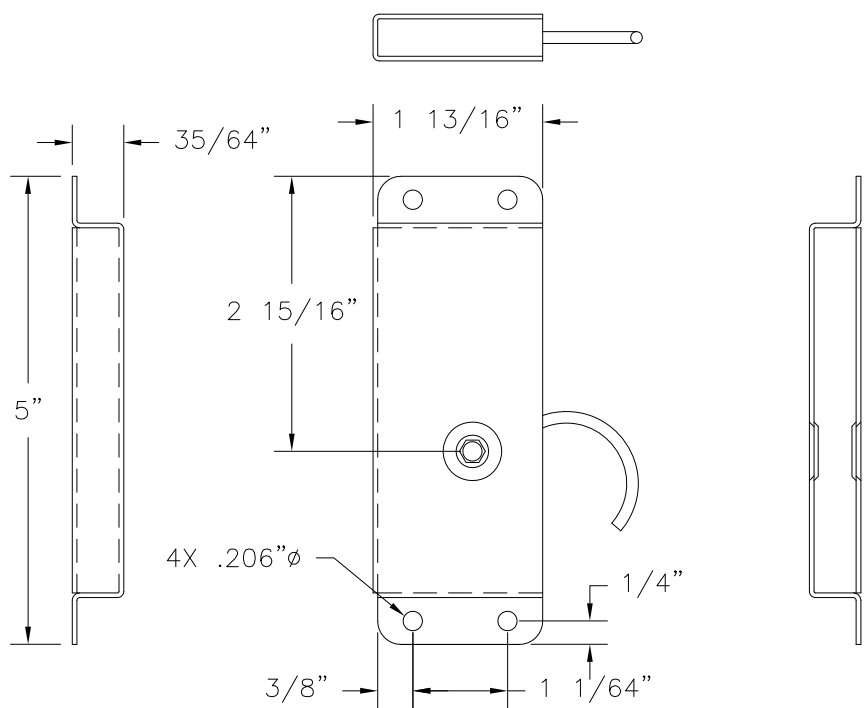
DRAWN: TJH	DWG NO. 08-01226	REV B
SCALE NTS	DATE 03/21/11	SHEET 1 OF 5

SIGNED: 08/31/2011

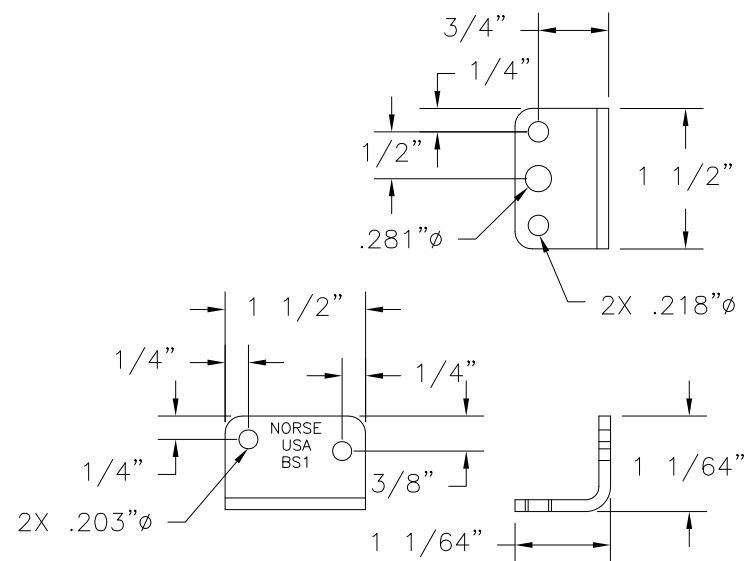


Luis R. Lomas P.E.  
Texas No. 101889

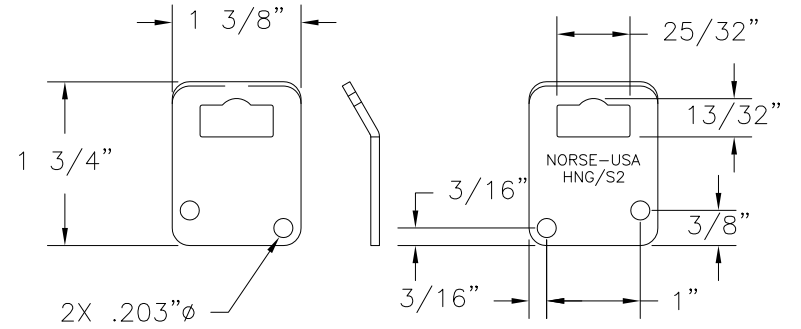
REVISIONS			
REV	DESCRIPTION	DATE	APPROVED
A	REVISED SYSTEM AND NOTES	06/24/11	R.L.
B	ADDED SILL INSTALLATION OPTIONS	08/29/11	R.L.



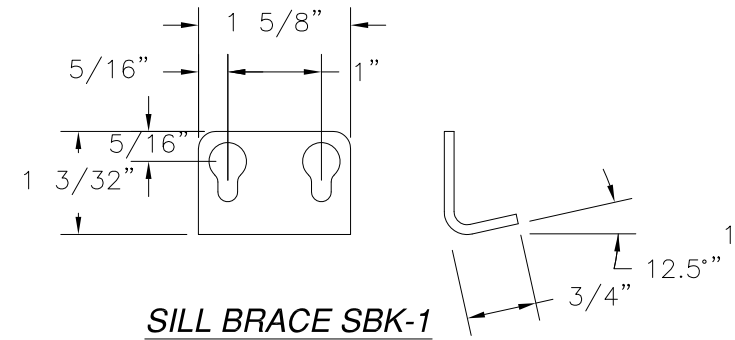
**LATCH RH-S1500-1R-750**  
FORMED C1008, C1010 OR C1018 STEEL  
ZINC PLATED .050" THICK



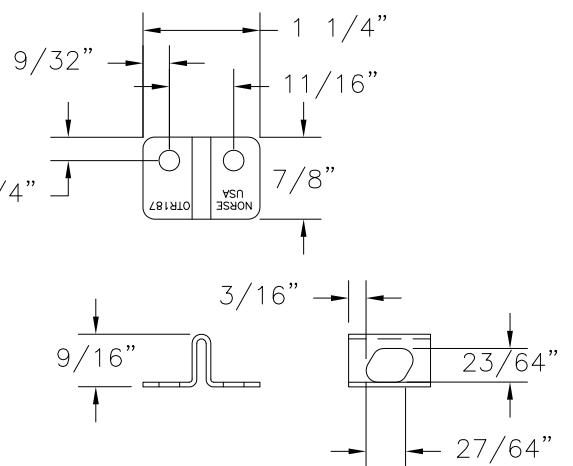
**BOTTOM BRACE BB1**  
FORMED C1050 STEEL  
ZINC PLATED .125" THICK



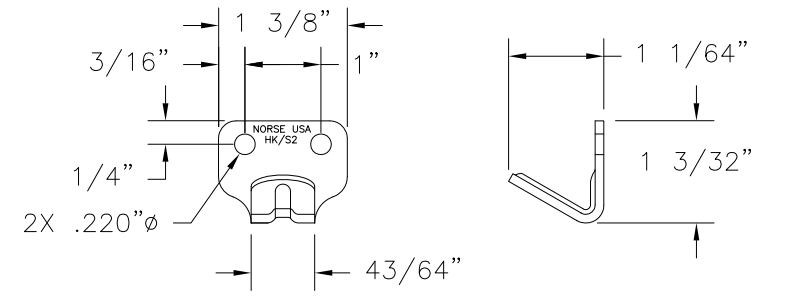
**HANGER - SHUTTER HNG/S2**  
FORMED C1050 STEEL  
ZINC PLATED .093" THICK



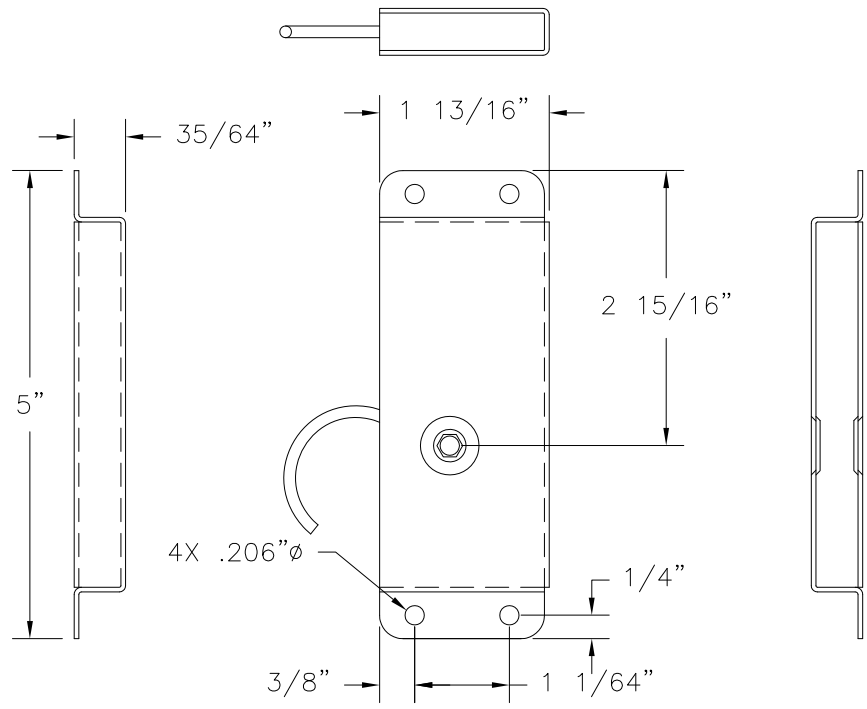
**SILL BRACE SBK-1**  
FORMED C1051 STEEL  
ZINC PLATED .105" THICK



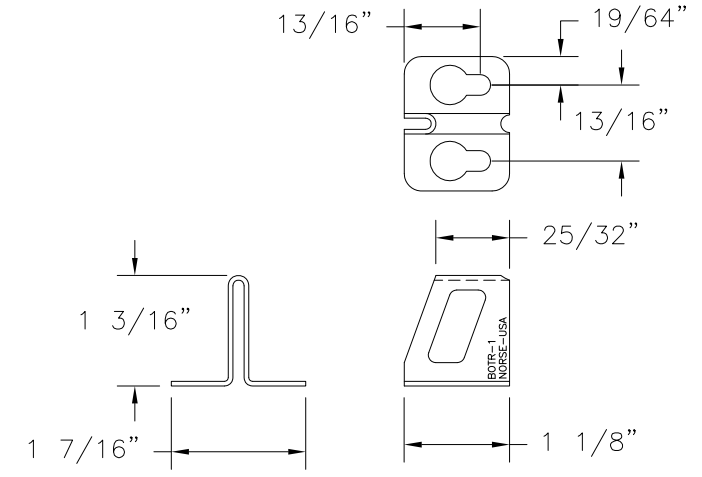
**RECEIVER OTR187**  
FORMED C1050 STEEL  
ZINC PLATED .050" THICK



**HOOK - SHUTTER HK/S2**  
FORMED C1050 STEEL  
ZINC PLATED .093" THICK



**LATCH LH-S1500-1L-750**  
FORMED C1008, C1010 OR C1018 STEEL  
ZINC PLATED .050" THICK



**BIG RECEIVER BOTR-1**  
FORMED C1050 STEEL  
ZINC PLATED .050" THICK

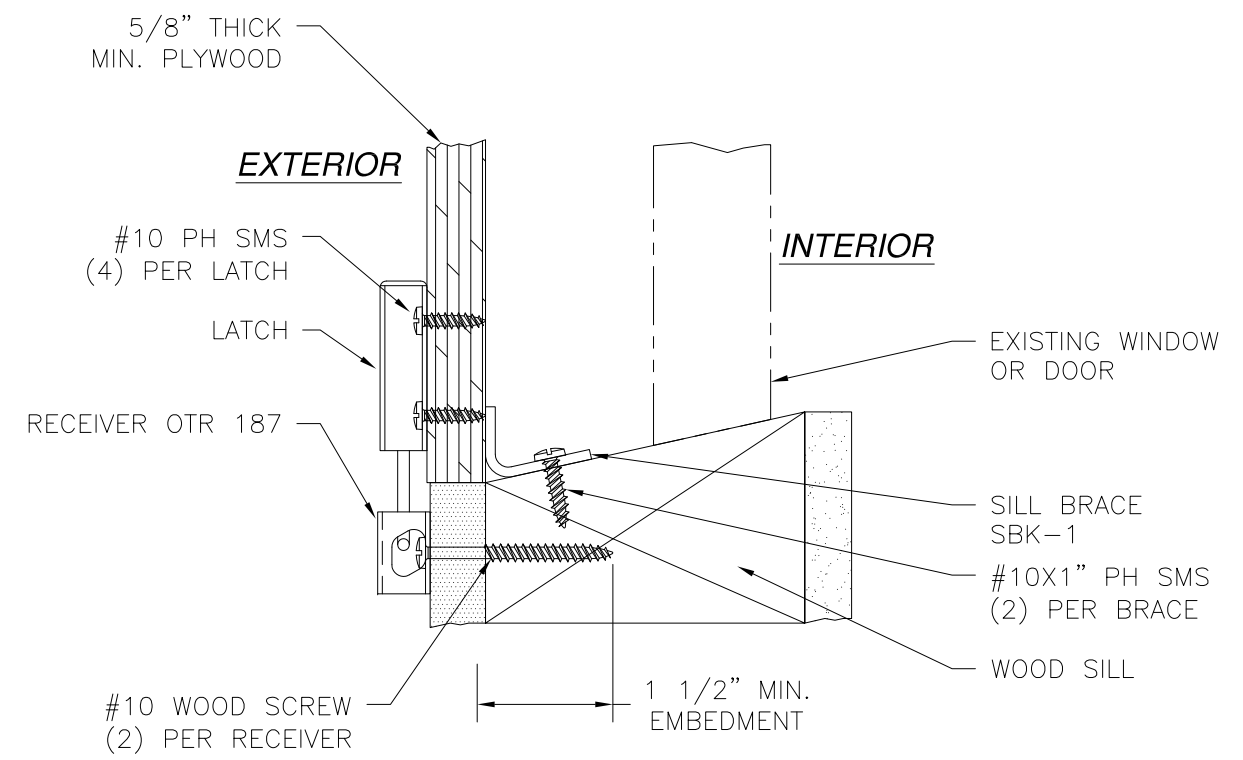
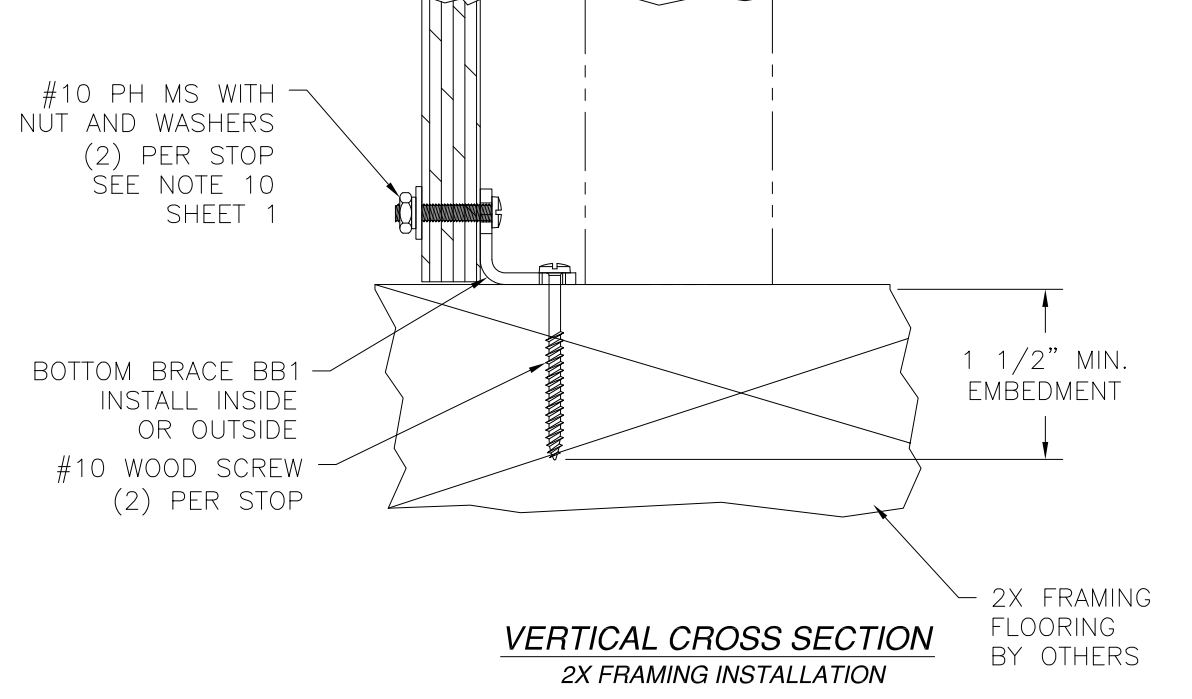
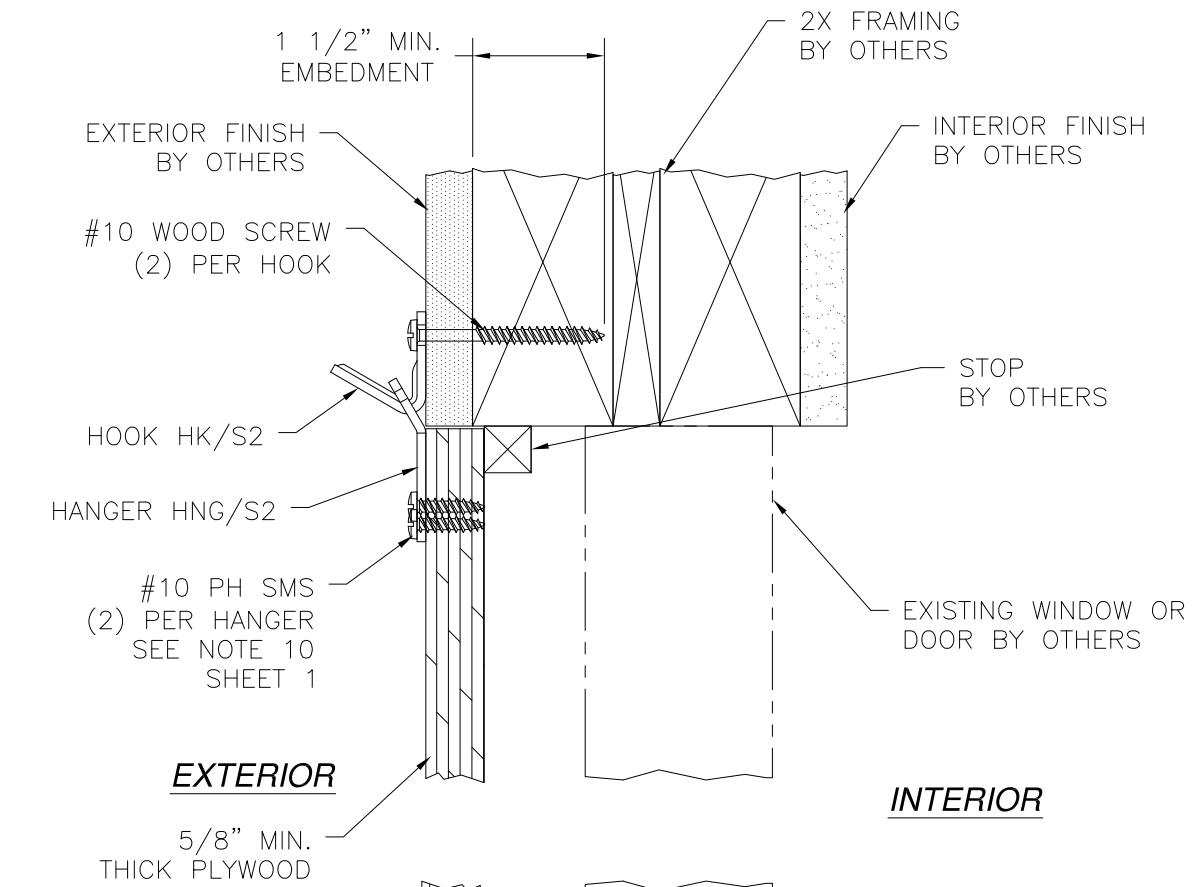
**NORSE, INC.**  
100 SOUTH ROAD  
TORRINGTON, CT 06790

HURRICANE SHUTTER SYSTEM MULTIPLE  
PANEL FLUSH MOUNT HARDWARE - IMPACT  
COMPONENTS

DRAWN: TJH	DWG NO. 08-01226	REV B
SCALE NTS	DATE 03/21/11	SHEET 2 OF 5

Luis R. Lomas P.E.  
Texas No. 101889

REVISIONS			
REV	DESCRIPTION	DATE	APPROVED
A	REVISED SYSTEM AND NOTES	06/24/11	R.L.
B	ADDED SILL INSTALLATION OPTIONS	08/29/11	R.L.



**VERTICAL CROSS SECTION**  
2X FRAMING SILL INSTALLATION (OPTIONAL)

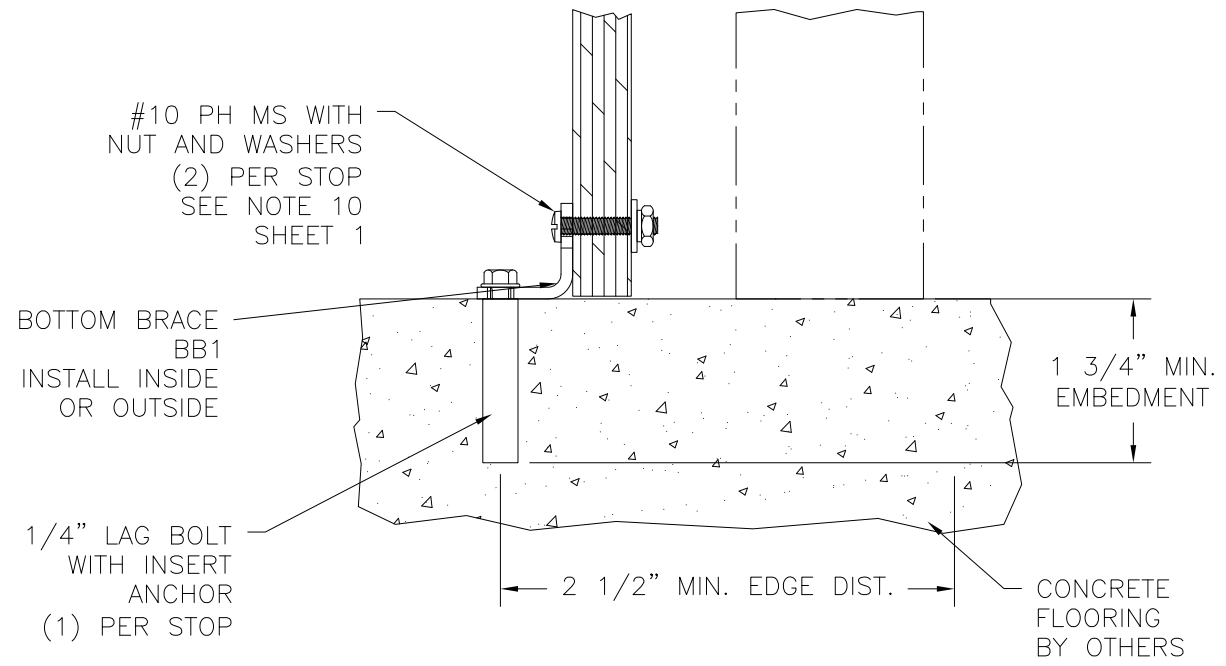
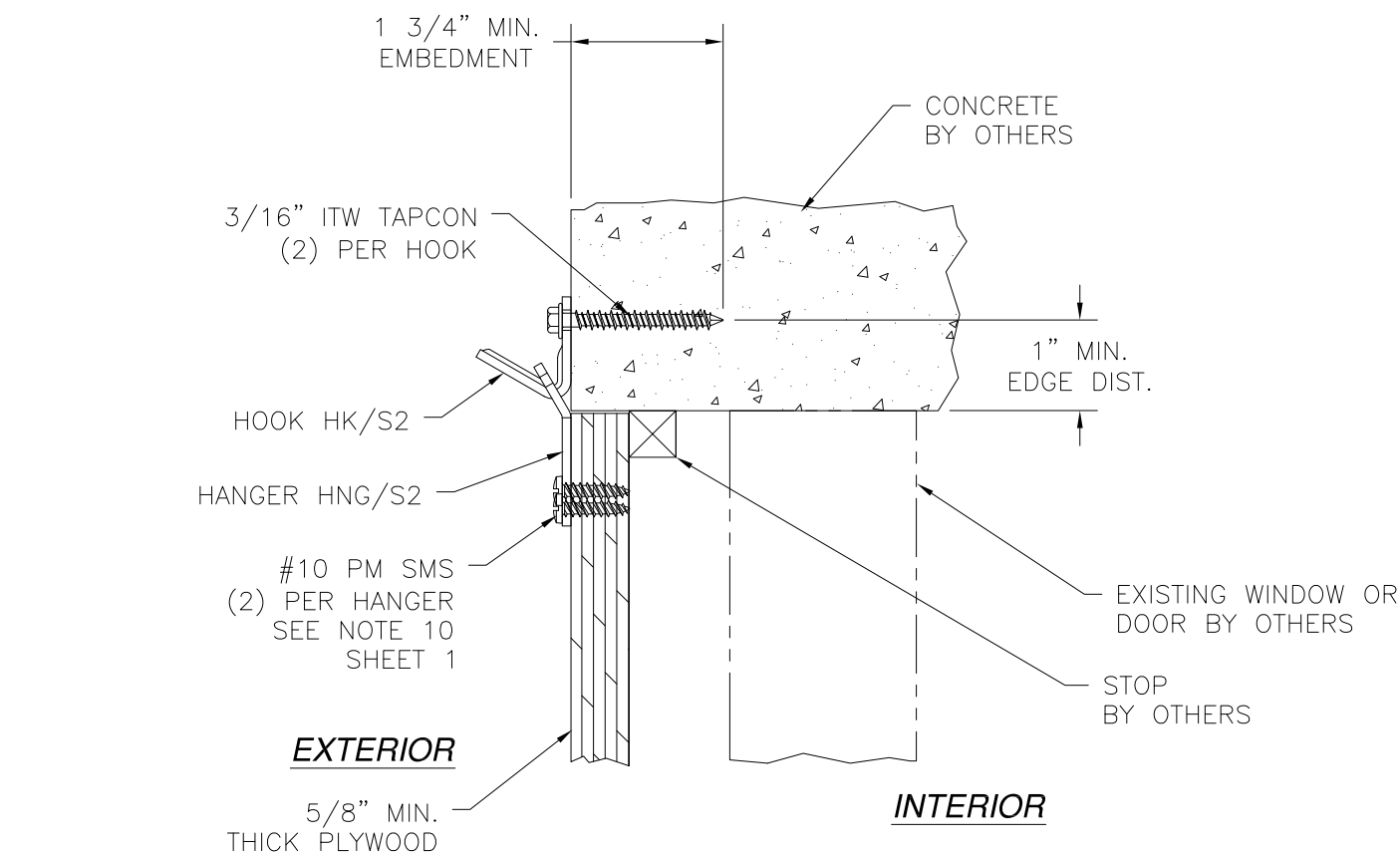
**NORSE, INC.**  
100 SOUTH ROAD  
TORRINGTON, CT 06790

HURRICANE SHUTTER SYSTEM MULTIPLE  
PANEL FLUSH MOUNT HARDWARE - IMPACT  
INSTALLATION DETAILS

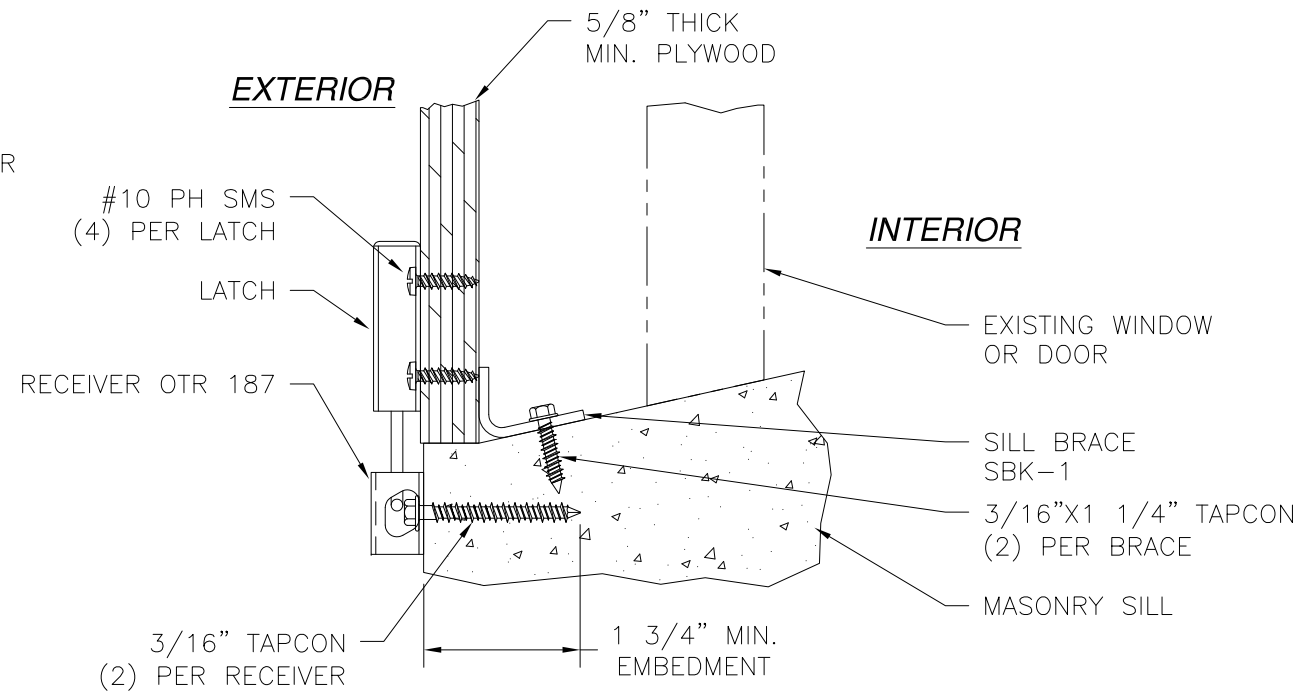
DRAWN: TJH	DWG NO. 08-01226	REV B
SCALE NTS	DATE 03/21/11	SHEET 3 OF 5

Luis R. Lomas P.E.  
Texas No. 101889

REVISIONS			
REV	DESCRIPTION	DATE	APPROVED
A	REVISED SYSTEM AND NOTES	06/24/11	R.L.
B	ADDED SILL INSTALLATION OPTIONS	08/29/11	R.L.



**VERTICAL CROSS SECTION**  
CONCRETE INSTALLATION



**VERTICAL CROSS SECTION**  
MASONRY SILL INSTALLATION (OPTIONAL)

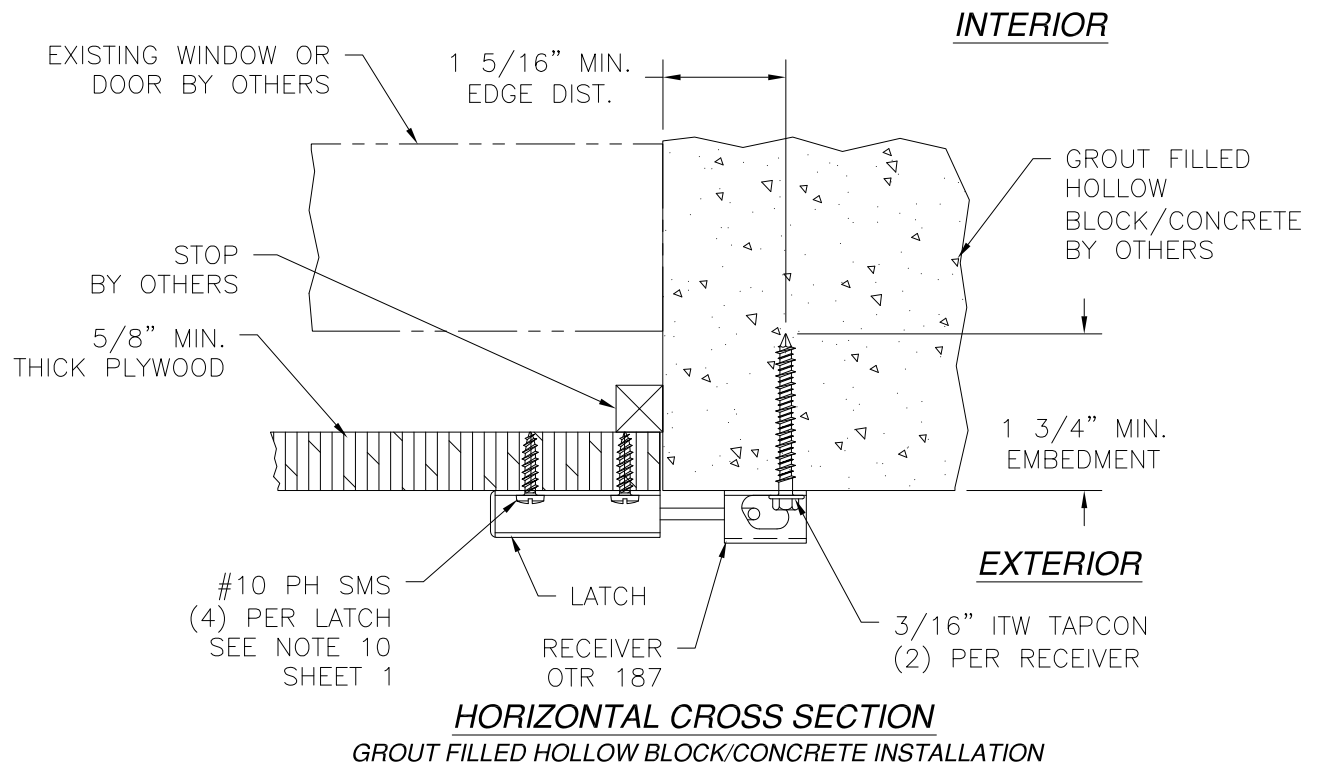
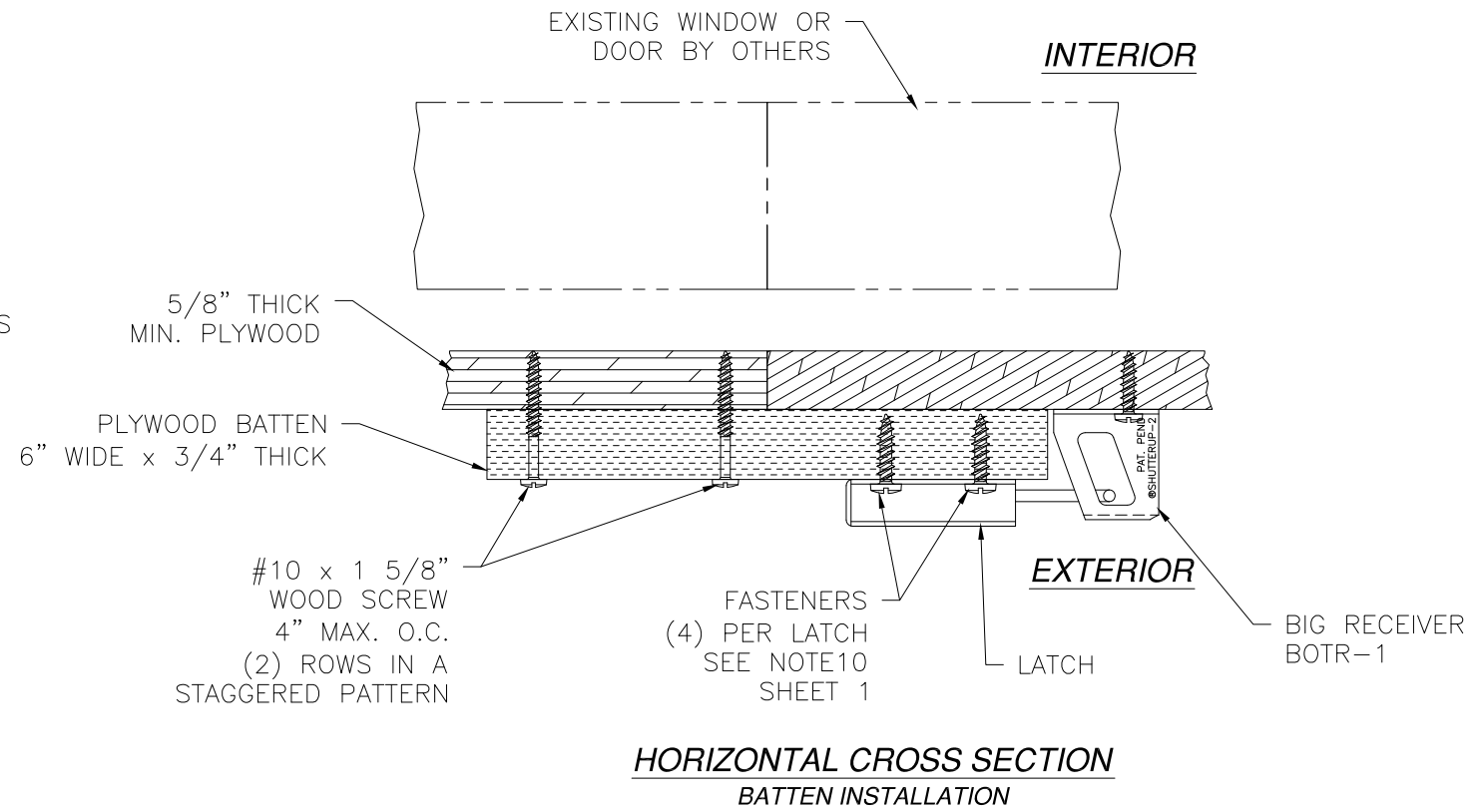
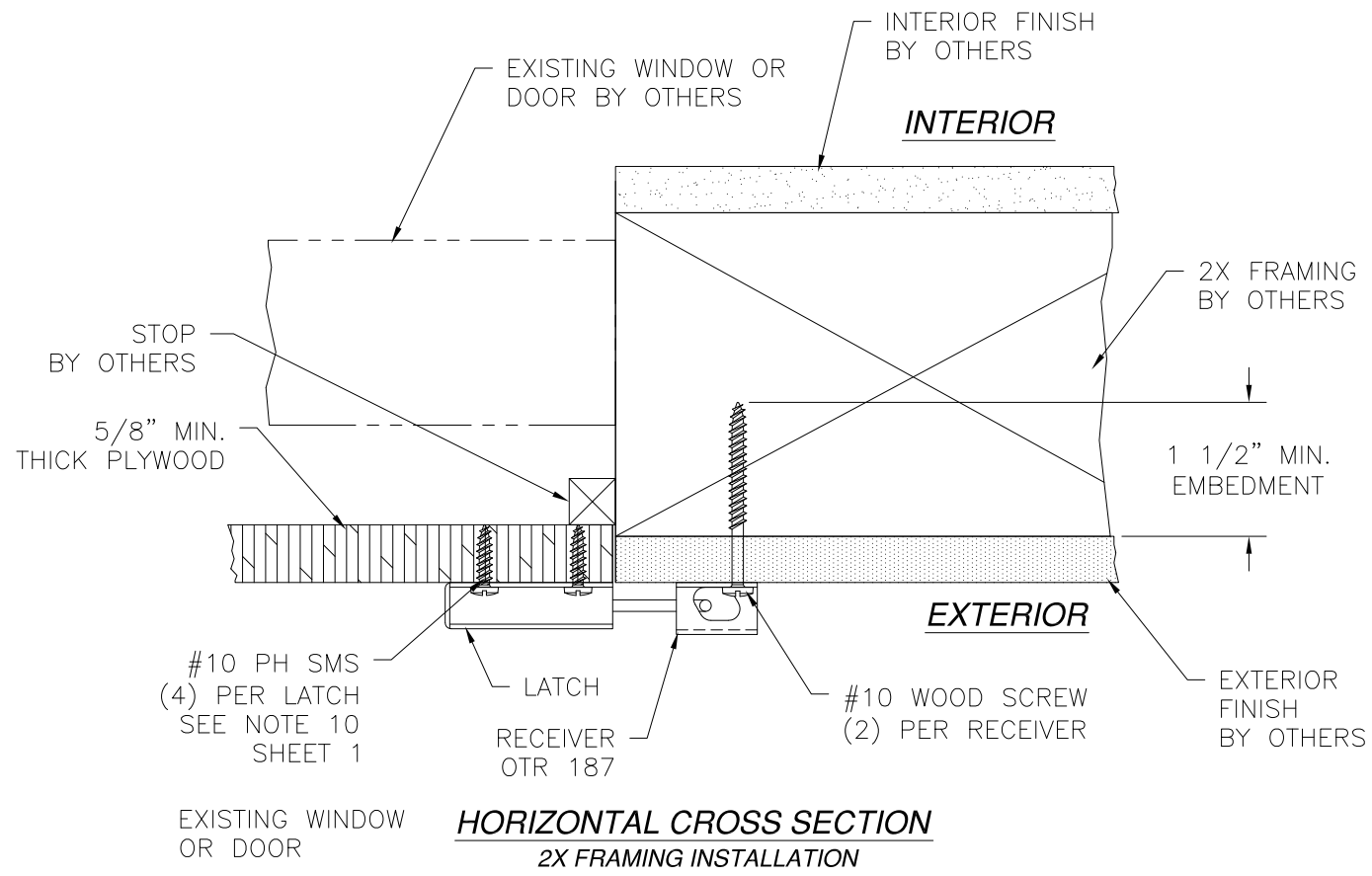
**NORSE, INC.**  
100 SOUTH ROAD  
TORRINGTON, CT 06790

HURRICANE SHUTTER SYSTEM MULTIPLE  
PANEL FLUSH MOUNT HARDWARE – IMPACT  
INSTALLATION DETAILS

DRAWN: TJH	DWG NO. 08-01226	REV B
SCALE NTS	DATE 03/21/11	SHEET 4 OF 5

Luis R. Lomas P.E.  
Texas No. 101889

REVISIONS			
REV	DESCRIPTION	DATE	APPROVED
A	REVISED SYSTEM AND NOTES	06/24/11	R.L.
B	ADDED SILL INSTALLATION OPTIONS	08/29/11	R.L.



**NORSE, INC.**  
100 SOUTH ROAD  
TORRINGTON, CT 06790

HURRICANE SHUTTER SYSTEM MULTIPLE PANEL  
FLUSH MOUNT HARDWARE – IMPACT  
INSTALLATION DETAILS

DRAWN: TJH	DWG NO. 08-01226	REV B
SCALE NTS	DATE 03/21/11	SHEET 5 OF 5

Luis R. Lomas P.E.  
Texas No. 101889