



James R. Bailey
 11/11/12

REV	DATE	DESCRIPTION
0	10/31/12	TEXAS DEPARTMENT OF INSURANCE SUBMITTAL

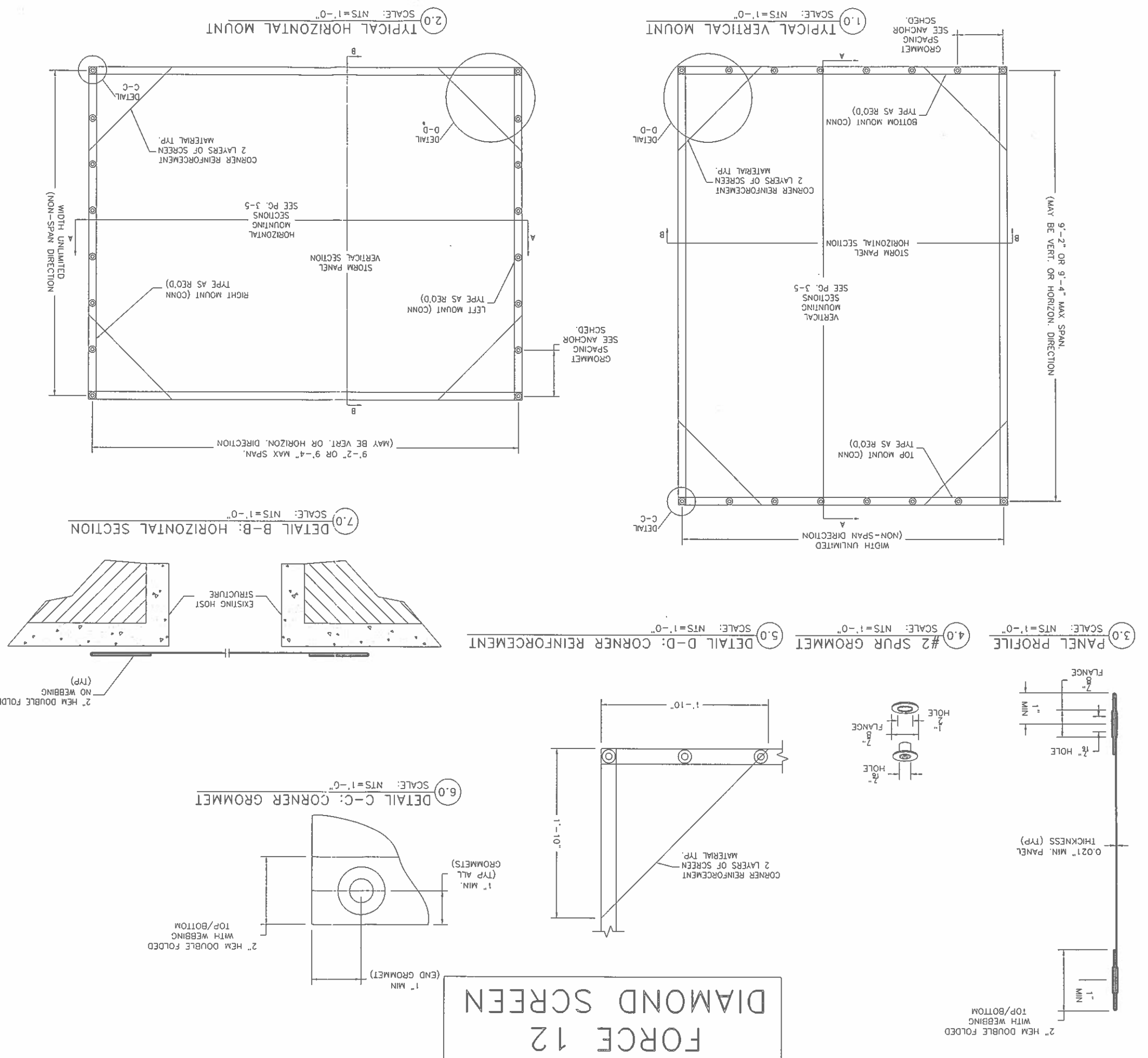
CLIENT: HENDEE ENTERPRISES
 LOCATION: HOUSTON, TX
 TITLE: FORCE 12 - SERIES 100 - DIAMOND SCREEN
 DATE: 10/31/12
 REVISION: 0

CONSULTANTS:
 James R. Bailey, P.E.
 Texas PE # 74911
 Palladium Risk Consulting LLC
 4931 Chappel Hill Dr.
 Missouri City, Texas 77459
 281-405-2425
 Texas Firm # 11044

Hendee Enterprises, Inc.
 The Innovative Solutions Company
 P.O. Box 4580, Houston, TX 77210-4580
 (713) 796-2322, fax (713) 796-0444, (800) 333-5461 (texas)
 COPYRIGHT © 2002
 HENDEE ENTERPRISES, INC.
 ALL RIGHTS RESERVED
 EXPORT OF THIS DOCUMENT TO COUNTRIES OUTSIDE OF THE U.S. IS SUBJECT TO U.S. EXPORT ADMINISTRATION REGULATIONS.

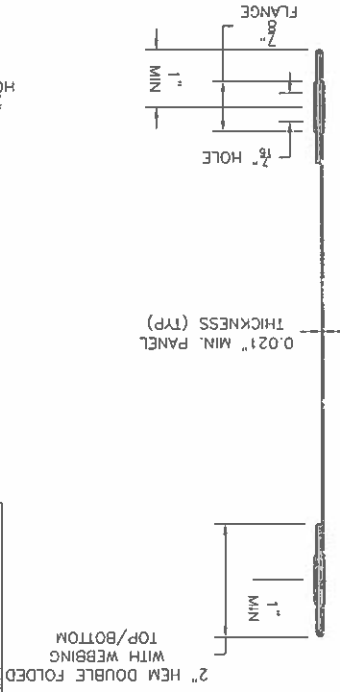
- GENERAL NOTES:
1. THIS STORM PANEL SYSTEM IN ACCORDANCE WITH THE 2009 INTERNATIONAL BUILDING CODE (IBC) AND THE 2009 INTERNATIONAL RESIDENTIAL CODE (IRC).
 2. THIS PRODUCT MEETS ASCE 7-10 REQUIREMENTS.
 3. POSITIVE AND NEGATIVE DESIGN PRESSURES TO BE USED WITH THESE COMBINATIONS PER ASCE 7-10. USE OF DIRECTIONALITY FACTOR EVALUATION AS A LARGE MISSILE IMPACT PROTECTIVE SYSTEM.
 4. THIS SHUTTER SYSTEM HAS BEEN SUBMITTED TO ICC-ES FOR EVALUATION AS A LARGE MISSILE IMPACT PROTECTIVE SYSTEM.
 5. NO 33-1/3% INCREASE IN ALLOWABLE STRESS HAS BEEN USED IN THE DESIGN OF THIS PRODUCT. WIND LOAD DURATION FACTOR CD=1.65 HAS BEEN USED FOR WOOD ANCHOR DESIGN.
 6. THE SHUTTER SYSTEM DETAILED HEREIN IS GENERIC AND DOES NOT PROVIDE INFORMATION FOR A SPECIFIC SITE. IF SITE CONDITIONS DEVIATE FROM THE CONDITIONS DETAILED HEREIN, A LICENSED ENGINEER OR REGISTERED ARCHITECT SHALL PREPARE A SITE SPECIFIC DOCUMENT TO BE USED IN CONJUNCTION WITH THIS DOCUMENT.
 7. PERMIT HOLDER SHALL VERIFY THE ADEQUACY OF THE EXISTING STRUCTURE TO WITHSTAND NEW SUPERIMPOSED LOADS.
 8. STORM PANELS SHALL BE WOVEN POLYPROPYLENE FABRIC (THICKNESS t=0.021") WITH A MIN. WEIGHT = 7.8 OZ/SQYD.
 9. PANELS SHOULD BE PERMANENTLY LABELED WITH A MINIMUM OF ONE LABEL PER PANEL AS FOLLOWS:
- FORCE 12 - SERIES 100 - DIAMOND SCREEN
 HENDEE ENTERPRISES INC.
 DESIGN PRESSURE RATING:
 THIS PRODUCT IS DESIGNED IN COMPLIANCE WITH:
 ASTM E 1886-03 (LARGE MISSILE/CYCLIC LOAD)
 ASTM E 1996-09 (LARGE MISSILE/CYCLIC LOAD)
 ASTM E 330-02 (UNIFORM STATIC LOAD PRESSURE)
 IMPACT RESISTANT: LARGE AND SMALL MISSILE IMPACT
10. STORM PANELS HAVE BEEN DESIGNED AND TESTED TO THE MAXIMUM SPAN AND LOADS SHOWN ON THESE DRAWINGS. REFERENCE HURRICANE TEST LABORATORY, LLC (HTL), RIVERA BEACH, FL, TEST REPORTS.
 11. PANELS MAY BE MOUNTED HORIZONTALLY WHERE APPLICABLE (i.e. WITH LINE OF ANCHORAGE IN VERTICAL DIRECTION).
 12. ALL BOLTS & WASHERS SHALL BE ZINC COATED, GALVANIZED OR STAINLESS STEEL WITH A MINIMUM TENSILE STRENGTH OF 60 KSI.
 13. ALL ACCEPTANCE CRITERIA HAVE BEEN MET FOR THIS SHUTTER AS A NON-POROUS SYSTEM, AS DEFINED IN ASTM E1996. IN KEEPING WITH THIS STANDARD, NO MINIMUM SEPARATION FROM THIS GLAZING BEING PROTECTED IS REQUIRED, AND BREAKING OF THIS GLAZING DOES NOT COMPROMISE THE BUILDING ENVELOPE.
 14. EXPOSED SIDE OPENINGS ALONG UNATTACHED EDGES OF A DEFLECTED SCREEN UNDER NEGATIVE PRESSURE SHALL BE CONSIDERED IN ORDER TO VERIFY COMPLIANCE WITH ALLOWABLE OPENING AREAS FOR EXTERIOR SURFACES AS SPECIFIED BY CODE.

- SPAN NOTES:
1. ALLOWABLE PRESSURES SHALL NOT BE EXCEEDED.
 2. PANEL SPANS LONGER THAN THE MAXIMUM NOTED WITHIN THESE DOCUMENTS ARE NOT ACCEPTABLE.
 3. PANEL SPANS LESS THAN THE MINIMUM NOTED WITHIN THESE DOCUMENTS ARE NOT ACCEPTABLE.
 4. NO SEPARATION FROM GLASS IS REQUIRED WHEN PANEL SPAN IS GREATER THAN MINIMUM SPAN NOTED.
 5. VALID FOR PANELS MOUNTED VERTICALLY OR HORIZONTALLY.

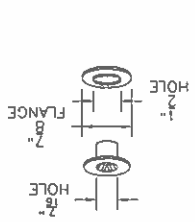


FORCE 12 DIAMOND SCREEN

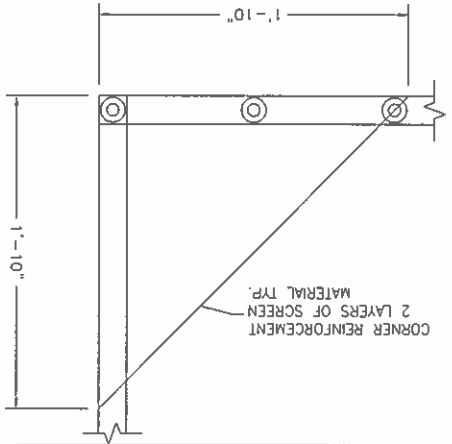
FORCE 12 DIAMOND SCREEN [ZIPPER APPLICATION]



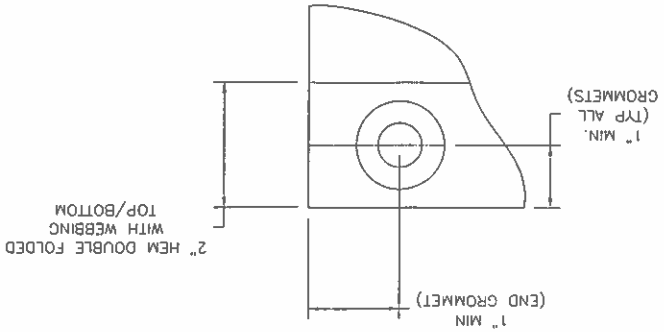
3.0 PANEL PROFILE
SCALE: NTS=1'-0"



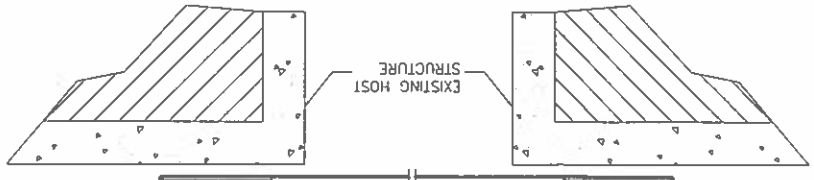
5.0 DETAIL D-D: CORNER REINFORCEMENT
SCALE: NTS=1'-0"



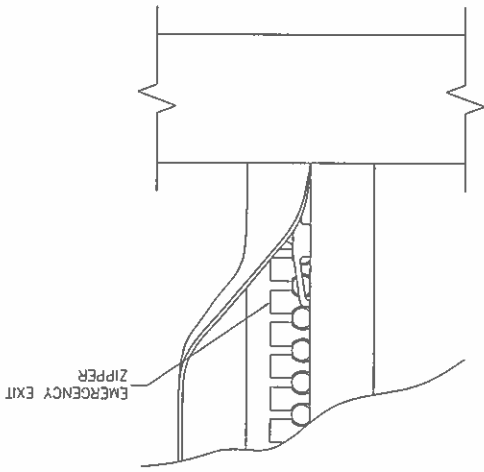
6.0 DETAIL C-C: CORNER GROMMET
SCALE: NTS=1'-0"



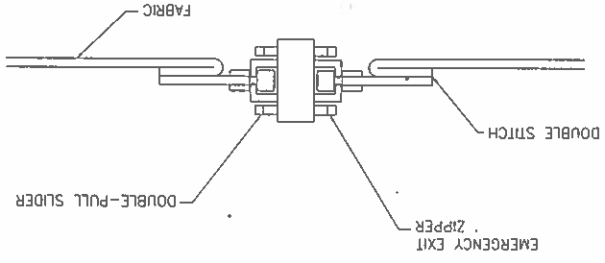
7.0 DETAIL B-B: HORIZONTAL SECTION
SCALE: NTS=1'-0"



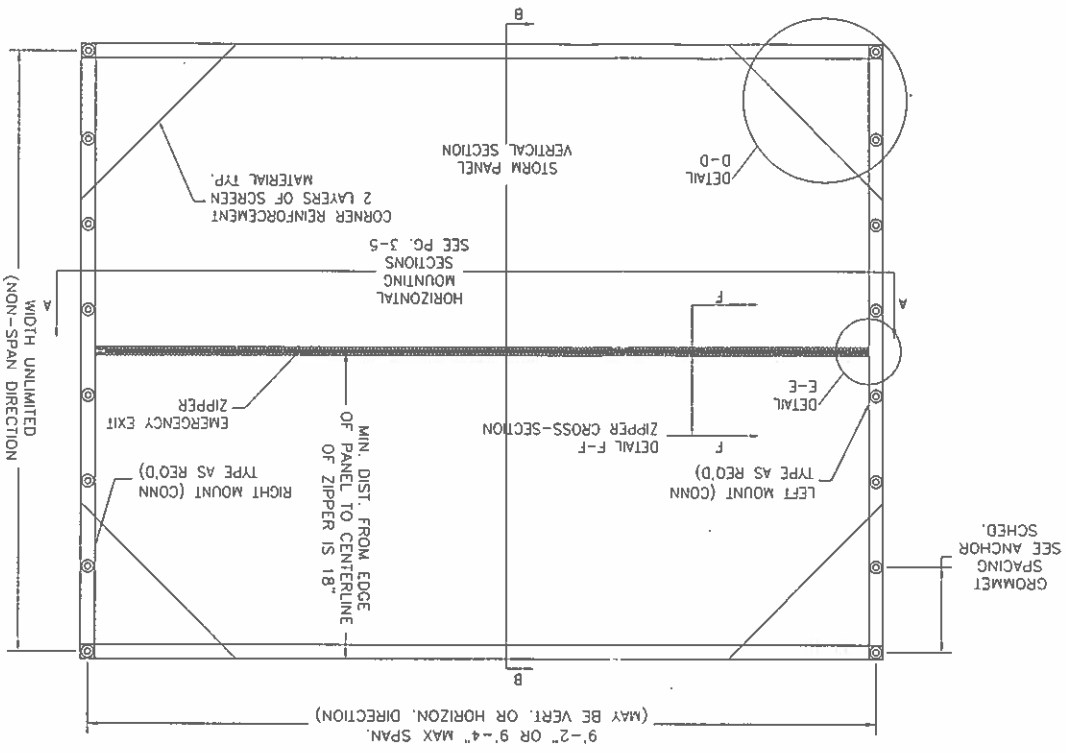
8.0 DETAIL E-E: ZIPPER POCKET
SCALE: NTS=1'-0"



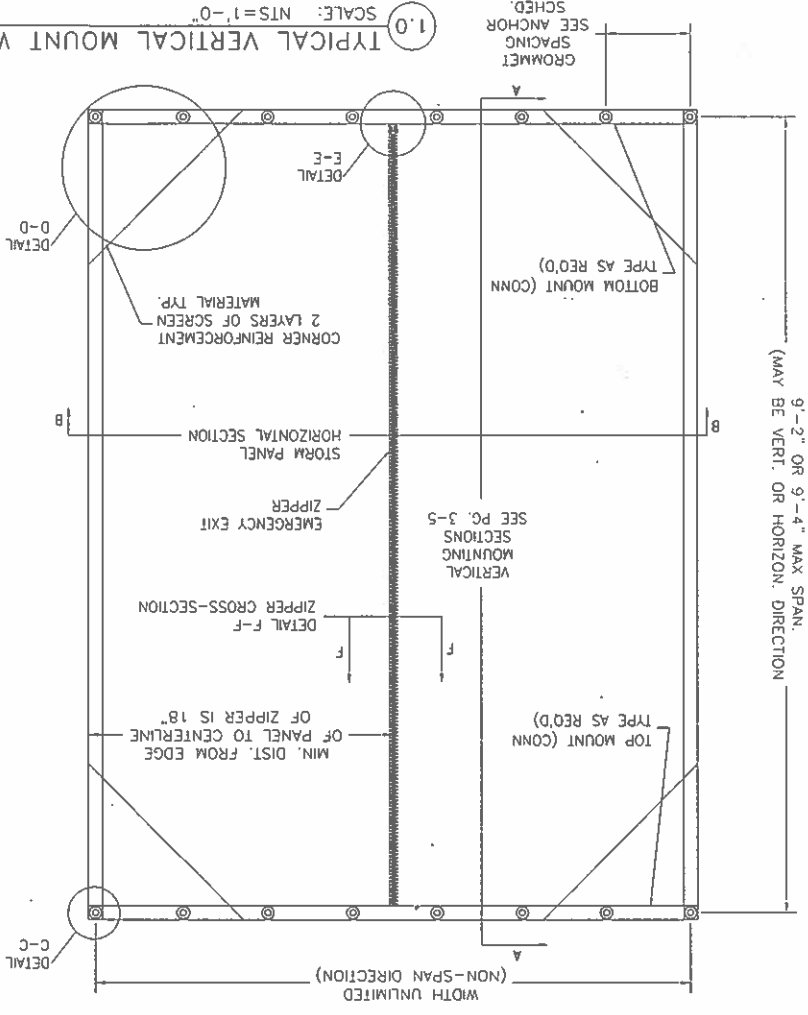
9.0 DETAIL F-F: ZIPPER CROSS SECTION
SCALE: NTS=1'-0"



2.0 TYPICAL HORIZONTAL MOUNT W/ ZIPPER
SCALE: NTS=1'-0"



1.0 TYPICAL VERTICAL MOUNT W/ ZIPPER
SCALE: NTS=1'-0"



*NOTE: ZIPPER MUST BE CLOSED FOR PRODUCT TO FUNCTION PROPERLY DURING USE



James R. Bailey
11/11/12

SHEET:	2.0
DOCUMENT DATE:	07/26/07
JOB NUMBER:	DCS07
FILE NAME:	F-12 DIAMOND
DRAWN BY:	MC
CHECKED BY:	

BY/REV	DATE	DESCRIPTION
KLL/D	10/31/12	TEXAS DEPARTMENT OF INSURANCE SUBMITTAL

CLIENT:	HENDEE ENTERPRISES
LOCATION:	HOUSTON, TX
TITLE:	FORCE 12 - SERIES 100 - DIAMOND SCREEN
DATE:	10/31/12
REVISION:	0

CONSULTANTS:	James R. Bailey, P.E. Texas PE # 74911 Patriarch Risk Consulting LLC 4931 Chappel Hill Dr. Missouri City, Texas 77459 281-403-2625 Texas Firm # 11044
--------------	---

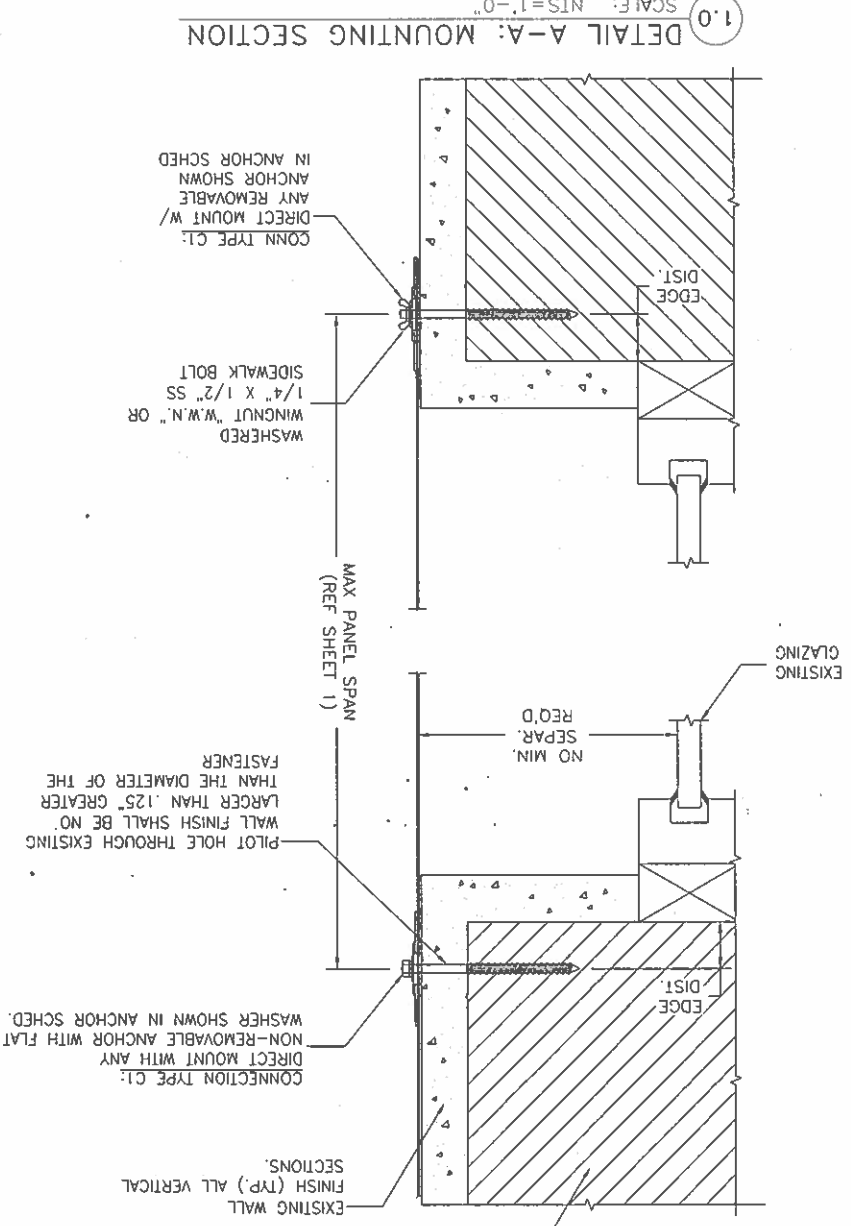
HE Hendee Enterprises, Inc.
The Innovative Solutions Company
P.O. Box 4289, Houston, TX 77210-4289 9300 South Point Dr., Houston, TX 77054
(713) 596-5322; Fax (713) 786-0744; (800) 231-7729 (toll); (800) 233-8411 (texas)
COPYRIGHT © 2002 HENDEE ENTERPRISES, INC. ALL RIGHTS RESERVED.
EXPORT WARNING: EXPORT OF THIS DOCUMENT TO COUNTRIES OUTSIDE OF THE U.S. IS SUBJECT TO U.S. EXPORT ADMINISTRATION REGULATIONS.

WOOD		+60.0 PSF & +60.0 PSF	+60.0 PSF & +60.0 PSF
CONCRETE		-60.0 PSF & -60.0 PSF	+60.0 PSF & +60.0 PSF
HOLLOW CONCRETE BLOCK			
-60.0 PSF & -60.0 PSF			
+60.0 PSF & +60.0 PSF			

WOOD		+60.0 PSF & +69.0 PSF	+72.0 PSF & +66.0 PSF
CONCRETE		-60.0 PSF & -66.0 PSF	-72.0 PSF & -66.0 PSF
HOLLOW CONCRETE BLOCK			
-61.0 PSF			
+61.0 PSF			

WOOD		9'-2"	9'-4"
CONCRETE & HOLLOW CONCRETE BLOCK		12.0"	
MINIMUM ALLOWABLE WIDTH (NON-SPAN DIMENSION)			
12.0"			
MINIMUM ALLOWABLE SPAN:			

WOOD		9'-2"	9'-4"
CONCRETE & HOLLOW CONCRETE BLOCK		12.0"	
MINIMUM ALLOWABLE WIDTH (NON-SPAN DIMENSION)			
12.0"			
MINIMUM ALLOWABLE SPAN:			



HOST STRUCTURE	ANCHOR	LOAD (psf)	WOOD FRAME		
			SPANS UP TO	CONN TYPE	2" MIN EDGE DISTANCE (UNLESS NOTED OTHERWISE)
WOOD	#14 WOOD SCREW WITH MIN. 1-1/2" MIN. EMBED	28	18"	C1	18"
		38	18"	C1	14"
		47	18"	C1	16"
		54	18"	C1	15"
		60	18"	C1	14"
		60	10"	C1	10"
	1/4" ELCO PANELMATE (MALE) WITH 1-1/2" MIN. EMBED	21	12"	C1	12"
		38	12"	C1	11"
		47	12"	C1	10"
		54	12"	C1	9"
		69	12"	C1	7"
		69	10"	C1	7"
1/4" ELCO PANELMATE (FEMALE) WITH 1-1/2" MIN. EMBED	24	12"	C1	12"	
	38	12"	C1	11"	
	47	12"	C1	10"	
	54	12"	C1	9"	
	69	12"	C1	7"	
	69	10"	C1	7"	
	3/16" SAMMY HURRICANE FASTENER WITH 1/4" X 20 INTERNAL THREAD, 1-1/2" MIN. EMBED	24	12"	C1	12"
		38	12"	C1	12"
		47	12"	C1	12"
		54	12"	C1	12"
		69	12"	C1	12"
		69	10"	C1	10"

HOST STRUCTURE	ANCHOR	LOAD (psf)	WOOD FRAME		
			SPANS UP TO	CONN TYPE	2" MIN EDGE DISTANCE (UNLESS NOTED OTHERWISE)
WOOD	1/4" ELCO PANELMATE (MALE) WITH 1-1/4" MIN. EMBED	22	10"	C1	10"
		38	10"	C1	8"
		47	10"	C1	7"
		54	10"	C1	6"
		61	10"	C1	6"
		61	10"	C1	6"
	1/4" ELCO PANELMATE (FEMALE) WITH 1-1/4" MIN. EMBED	18	10"	C1	10"
		36	10"	C1	8"
		47	10"	C1	9"
		54	10"	C1	8"
		61	10"	C1	7"
		61	10"	C1	5"
7/8" SET ANCHOR WITH MIN. EMBEDMENT	22	12"	C1	12"	
	38	12"	C1	11"	
	47	12"	C1	9"	
	54	11"	C1	8"	
	61	10"	C1	7"	
	61	10"	C1	7"	
	1/4" SAMMY HURRICANE FASTENER WITH 1/4" X 20 INTERNAL THREAD, 1-1/4" MIN. EMBED	18	10"	C1	10"
		36	10"	C1	8"
		47	10"	C1	9"
		54	10"	C1	8"
		61	10"	C1	7"
		61	10"	C1	5"

HOST STRUCTURE	ANCHOR	LOAD (psf)	CONCRETE		
			SPANS UP TO	CONN TYPE	2" MIN EDGE DISTANCE (UNLESS NOTED OTHERWISE)
CONCRETE	1/4" TAPCON (ELCO) WITH 1-3/4" EMBED	29	12"	C1	12"
		38	12"	C1	9"
		47	12"	C1	7"
		54	12"	C1	9"
		66	10"	C1	8"
		66	10"	C1	8"
	1/4" ELCO PANELMATE (MALE) WITH 1-3/4" MIN. EMBED (3200psi MIN CONC)	25	18"	C1	18"
		29	18"	C1	18"
		47	18"	C1	15"
		54	18"	C1	13"
		72	14"	C1	11"
		72	12"	C1	12"
1/4" ELCO PANELMATE (FEMALE) WITH 1-1/4" MIN. EMBED	26	12"	C1	12"	
	36	12"	C1	12"	
	47	12"	C1	12"	
	54	12"	C1	9"	
	66	10"	C1	8"	
	66	10"	C1	8"	
	3/16" SAMMY HURRICANE FASTENER WITH 1/4" X 20 INTERNAL THREAD, 1-1/4" MIN. EMBED	26	12"	C1	12"
		36	12"	C1	12"
		47	12"	C1	12"
		54	12"	C1	12"
		66	12"	C1	12"
		66	12"	C1	12"

ANCHOR SCHEDULE NOTES

1) 1/4" TAPCONS SHALL BE BY ELCO, AS LISTED IN APPROPRIATE ANCHOR SCHEDULE. "ELCO PANELMATE" ANCHORS MAY BE MALE OR FEMALE, AS ILLUSTRATED.

2) ENSURE MINIMUM EDGE DISTANCE FOR ALL ANCHORS PER RESPECTIVE ANCHOR SCHEDULE. EDGE DISTANCE OF 3/4" IS ACCEPTABLE FOR ANCHORS TO WOOD. REFERENCE ANCHOR SCHEDULE FOR MINIMUM EDGE DISTANCE REQUIREMENTS FOR THESE ANCHORS.

3) MINIMUM EMBEDMENT SHALL BE AS NOTED IN ANCHOR SCHEDULE. MINIMUM EMBEDMENT AND EDGE DISTANCE EXCLUDES STUCCO, FOAM, BRICK, AND OTHER WALL FINISHES.

4) ANCHORS SHALL BE INSTALLED IN ACCORDANCE WITH MANUFACTURER'S RECOMMENDATIONS;

5) WHERE EXISTING STRUCTURE IS WOOD FRAMING, EXISTING CONDITIONS MAY VARY. FIELD VERIFY THAT ANCHORS ARE INTO ADEQUATE WOOD FRAMING MEMBERS, NOT INTO PLYWOOD.

6) ANCHORS FASTENED TO NARROW FACE OF STUD FRAMING SHALL BE LOCATED IN CENTER OF NOMINAL 2x4 (MIN) WOOD STUD (i.e. 3/4" EDGE DISTANCE IS ACCEPTABLE FOR ANCHORS TO WOOD FRAMING). WOOD STRUCTURE SHALL BE "SOUTHERN PINE C-0.55 OR GREATER DENSITY.

7) ANCHOR SCHEDULE APPLIES FOR ALL PRODUCTS CERTIFIED HEREIN, BUT ONLY PROVIDES MAXIMUM ALLOWABLE ANCHOR SPACING. MAXIMUM ALLOWABLE SPANS AND PRESSURES INDICATED IN SPAN SCHEDULE SHALL APPLY.

8) MACHINE SCREWS SHALL HAVE MINIMUM OF 1/4" ENGAGEMENT OF THREADS IN BASE ANCHOR AND HAVE A PAN HEAD, TRUSS HEAD, OR WAFER HEAD ("SIDEWALK BOLT") U.N.O.

9) * DESIGNATES ANCHORS WHICH ARE REMOVABLE AND MAY BE USED FOR DIRECT MOUNT INSTALLATIONS.

HOST STRUCTURE	ANCHOR	LOAD (psf)	CONCRETE (3200 psi)		
			SPANS UP TO	CONN TYPE	2" MIN EDGE DISTANCE (UNLESS NOTED OTHERWISE)
CONCRETE	1/4" TAPCON (ELCO) WITH 1-3/4" EMBED	29	12"	C1	12"
		38	12"	C1	9"
		47	12"	C1	7"
		54	12"	C1	9"
		66	10"	C1	8"
		66	10"	C1	8"
	1/4" ELCO PANELMATE (MALE) WITH 1-3/4" MIN. EMBED (3200psi MIN CONC)	25	18"	C1	18"
		29	18"	C1	18"
		47	18"	C1	15"
		54	18"	C1	13"
		72	14"	C1	11"
		72	12"	C1	12"
1/4" ELCO PANELMATE (FEMALE) WITH 1-1/4" MIN. EMBED	26	12"	C1	12"	
	36	12"	C1	12"	
	47	12"	C1	12"	
	54	12"	C1	9"	
	66	10"	C1	8"	
	66	10"	C1	8"	
	3/16" SAMMY HURRICANE FASTENER WITH 1/4" X 20 INTERNAL THREAD, 1-1/4" MIN. EMBED	26	12"	C1	12"
		36	12"	C1	12"
		47	12"	C1	12"
		54	12"	C1	12"
		66	12"	C1	12"
		66	12"	C1	12"

CONCRETE (3200 psi)

STATE OF TEXAS
LICENSED PROFESSIONAL ENGINEER
JAMES R. BAILEY
74911

James R. Bailey
 10/31/12

CHECKED BY: PAR
 DRAWN BY: PAR
 FILE NAME: F-12 DIAMOND
 JOB NUMBER: DCS07
 DOCUMENT DATE: 07/26/07
 SHEET: 3.0

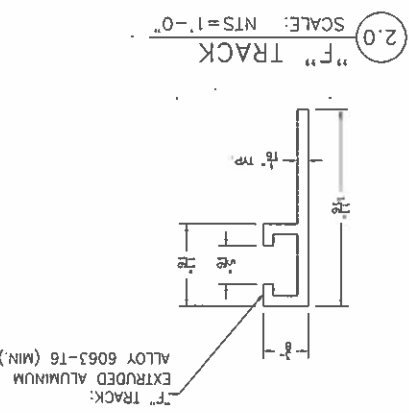
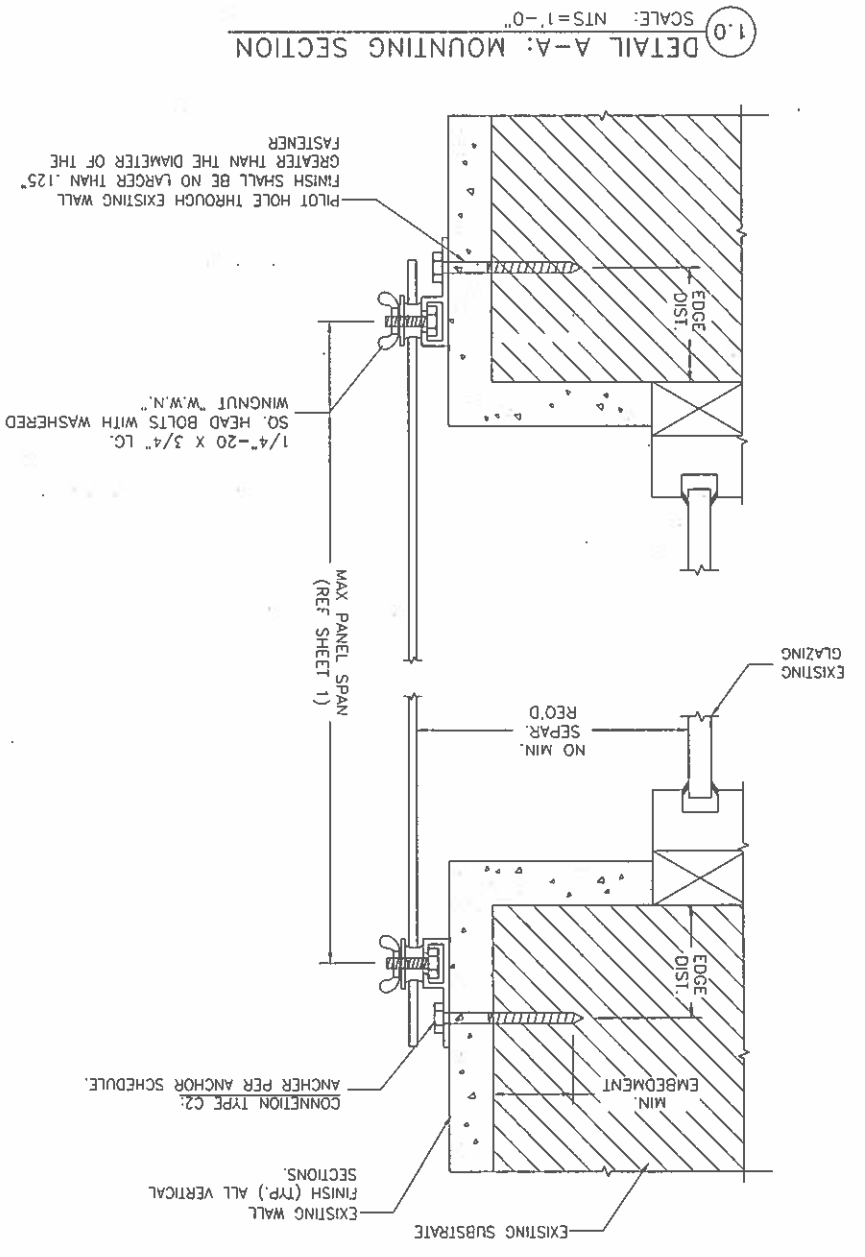
CLIENT: HENDEE ENTERPRISES
LOCATION: HOUSTON, TX
TITLE: FORCE 12 - SERIES 100 - DIAMOND SCREEN
DATE: 10/31/12
REVISION: 0

CONSULTANTS:
 James R. Bailey, P.E.
 Texas PE #34011
 Platinum Risk Consulting, L.L.C.
 4931 Chappell Hill Dr.
 Missouri City, Texas 77459
 281-481-2125
 Texas Firm # 11044

Hendee Enterprises, Inc.
 The Innovative Solutions Company
 P.O. Box 1299, Houston, TX 77202-7999, 3000 Seawall Dr., Houston, TX 77054
 (713) 786-2322, fax (713) 786-9424, (800) 331-7179 (toll), (800) 331-3411 (texas)
 COPYRIGHT © 2002
 HENDEE ENTERPRISES, INC.
 ALL RIGHTS RESERVED.
 EXPORT WARNING:
 EXPORT OF THIS DOCUMENT TO COUNTRIES OUTSIDE OF THE U.S. IS SUBJECT TO U.S. EXPORT ADMINISTRATION REGULATIONS.

MAXIMUM ALLOWABLE PRESSURES		
WOOD	CONCRETE	HOLLOW CONCRETE BLOCK
-60.0 PSF & -60.0 PSF	+60.0 PSF & -60.0 PSF	+60.0 PSF & -60.0 PSF
TRACK MOUNT ZIPPER		
WOOD	CONCRETE	HOLLOW CONCRETE BLOCK
-68.0 PSF & +68.0 PSF	-66.0 PSF & +66.0 PSF	-63.0 PSF & +63.0 PSF

MAXIMUM ALLOWABLE PRESSURES		
TRACK MOUNT NON-ZIPPER		
WOOD	CONCRETE	HOLLOW CONCRETE BLOCK
-68.0 PSF & +68.0 PSF	-66.0 PSF & +66.0 PSF	-63.0 PSF & +63.0 PSF
MAXIMUM ALLOWABLE SPAN		
WOOD	CONCRETE	HOLLOW CONCRETE BLOCK
9'-3"	9'-4"	9'-3"
MINIMUM ALLOWABLE WIDTH (NON-SPAN DIMENSION)		
12.0'	12.0'	12.0'



ANCHOR SCHEDULE 3-A

HOST STRUCTURE	ANCHOR	LOAD (psf)	SPANS UP TO	CONN TYPE	CONN TYPE	CONN TYPE	SPANS UP TO	EDGE DIST.	SET INSIDE "F" TRACK
HOLLOW BLOCK	1/4" TAPCON (ELCO) WITH 1-1/4" EMBED (1500psi MIN CONC. BLOCK)	23	11"	C2	6-3"	9-3"	SPANS UP TO	11"	11"
								8"	8"
								7"	7"
								6"	6"
								5"	5"
								4"	4"
HOLLOW BLOCK	1/4"-20 X 3/4" SQ. HEAD THREADED STUD WITH WASHER WING NUT	23	12"	C2	4-3"	9-3"	SPANS UP TO	12"	12"
								11"	11"
								10"	10"
								9"	9"
								8"	8"
								7"	7"

NOTE: ANCHOR SCHEDULE NOTES, SEE SHEET 3.0

HOLLOW CONCRETE BLOCK

ANCHOR SCHEDULE 2-A

HOST STRUCTURE	ANCHOR	LOAD (psf)	SPANS UP TO	CONN TYPE	CONN TYPE	CONN TYPE	SPANS UP TO	EDGE DIST.	SET INSIDE "F" TRACK
CONCRETE	1/4" TAPCON (ELCO) WITH 1-3/4" EMBED (3200psi MIN CONC)	23	14"	C2	6-4"	9-4"	SPANS UP TO	14"	14"
								10"	10"
								9"	9"
								8"	8"
								7"	7"
								6"	6"
CONCRETE	1/4"-20 X 3/4" SQ. HEAD THREADED STUD WITH WASHER WING NUT	23	12"	C2	4-3"	9-3"	SPANS UP TO	12"	12"
								11"	11"
								10"	10"
								9"	9"
								8"	8"
								7"	7"

CONCRETE (3200 psi)

ANCHOR SCHEDULE 1-A

HOST STRUCTURE	ANCHOR	LOAD (psf)	SPANS UP TO	CONN TYPE	CONN TYPE	CONN TYPE	SPANS UP TO	EDGE DIST.	SET INSIDE "F" TRACK
WOOD	#14 WOOD SCREW WITH MIN. 1-1/2" MIN. EMBED	23	14"	C2	6-3"	9-3"	SPANS UP TO	14"	14"
								10"	10"
								9"	9"
								8"	8"
								7"	7"
								6"	6"
WOOD	1/4"-20 X 3/4" SQ. HEAD THREADED STUD WITH WASHER WING NUT	23	12"	C2	4-3"	9-3"	SPANS UP TO	12"	12"
								11"	11"
								10"	10"
								9"	9"
								8"	8"
								7"	7"

WOOD FRAME



James R. Bailey
11/11/12

SHEET: 4.0
CHECKED BY: PAR
DRAWN BY: F-12 DWGNO
JOB NUMBER: DC507
DOCUMENT DATE: 07/26/07

CLIENT: HENDEE ENTERPRISES
LOCATION: HOUSTON, TX
TITLE: FORCE 12 - SERIES 100 - DIAMOND SCREEN
DATE: 10/31/12
REVISION: 0

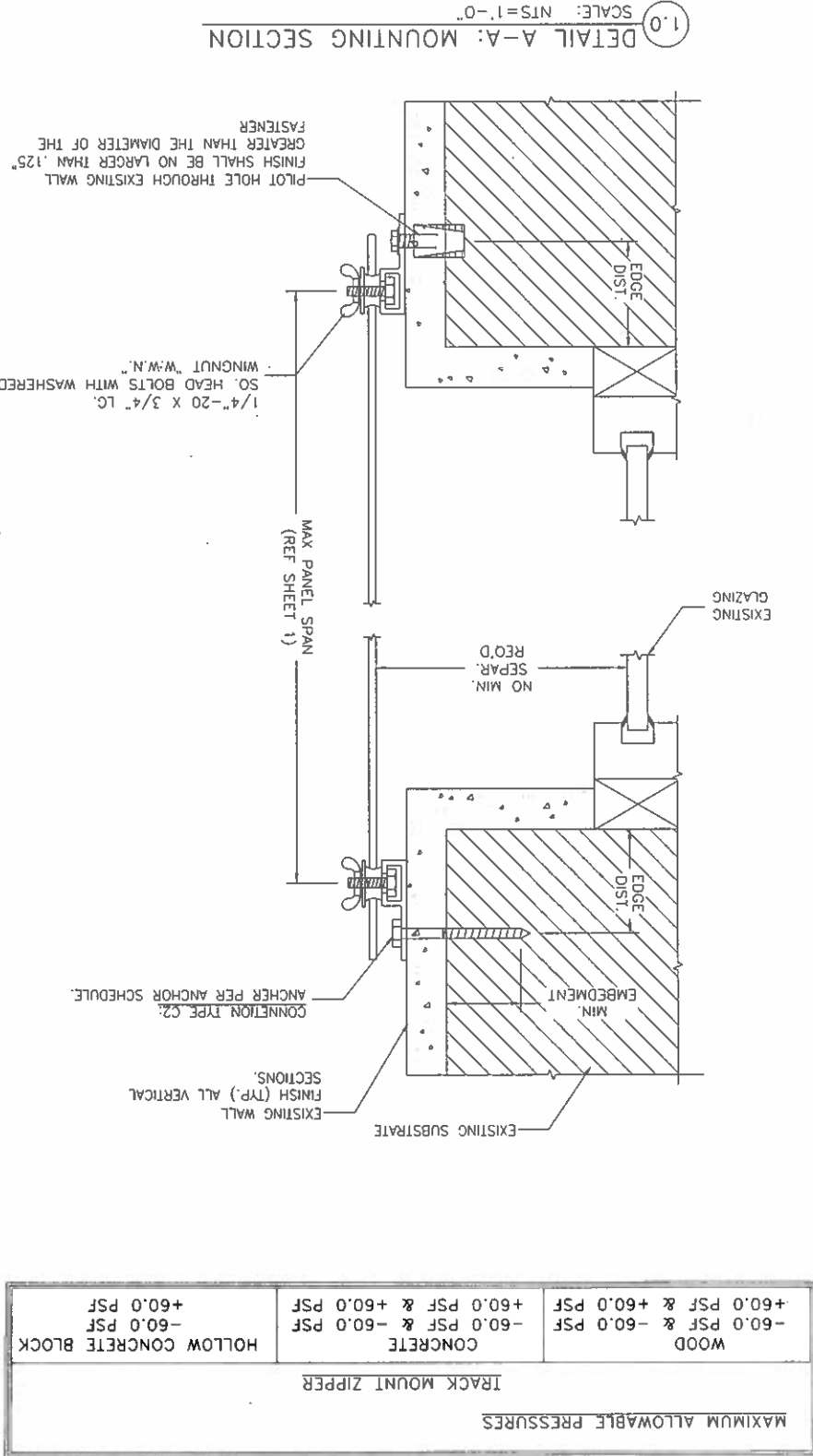
CONSULTANTS:
James R. Bailey, P.E. Texas PE # 74911
Platinum Risk Consulting LLC 4931 Chappel Hill Dr. Missouri City, Texas 77459 281-483-2925 Texas Firm # 11844

Hendee Enterprises, Inc.
The Innovative Solutions Company

9.9 Dec-2001 Revision: 1x 7710-499 9300 South Road D, Houston, TX 77054
(713) 766-2322; Fax (713) 766-9494; (609) 331-7579 (toll free); (800) 333-3611 (toll free)

EXPORT WARNING: EXPORT OF THIS DOCUMENT TO COUNTRIES OUTSIDE OF THE U.S. IS SUBJECT TO U.S. EXPORT ADMINISTRATION REGULATIONS.

COPYRIGHT © 2002 HENDEE ENTERPRISES, INC. ALL RIGHTS RESERVED.



MAXIMUM ALLOWABLE PRESSURES

WOOD	-60.0 PSF & -60.0 PSF	+60.0 PSF & +60.0 PSF
CONCRETE	-60.0 PSF & -60.0 PSF	+60.0 PSF & +60.0 PSF
HOLLOW CONCRETE BLOCK	-60.0 PSF	+60.0 PSF

MAXIMUM ALLOWABLE PRESSURES

TRACK MOUNT NON-ZIPPER

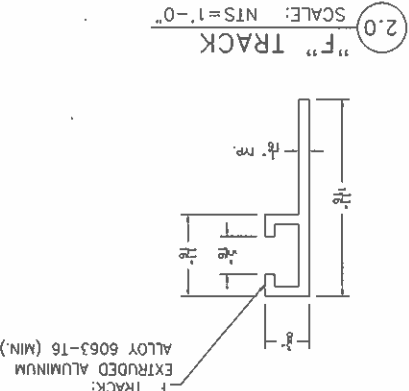
WOOD	-68.0 PSF & +68.0 PSF	9'-3"
CONCRETE	-66.0 PSF & +66.0 PSF	9'-4"
HOLLOW CONCRETE BLOCK	-63.0 PSF & +63.0 PSF	9'-3"

MAXIMUM ALLOWABLE SPAN

HOLLOW CONCRETE BLOCK

MINIMUM ALLOWABLE WIDTH (NON-SPAN DIMENSION) 12.0"

MINIMUM ALLOWABLE SPAN: 12.0"



ANCHOR SCHEDULE 3

HOST STRUCTURE	ANCHOR	LOAD (psf)	1/4"-20 ALL POINTS SOLID-SET ANCHOR WITH MIN 7/8" EMBEDMENT	HOLLOW BLOCK	1/4" ELCO PANELMATE EMBED (FEMALE) WITH 1-1/4" MIN.
2" MIN EDGE DISTANCE (UNLESS NOTED OTHERWISE)	C1	SPANS UP TO 9'-4"	22	12"	10"
			38	12"	10"
SPANS UP TO 9'-4"	C1	SPANS UP TO 6'-4"	47	9"	5"
			54	11"	6"
SPANS UP TO 6'-4"	C1	SPANS UP TO 4'-4"	61	7"	4"
			61	10"	4"

ANCHOR SCHEDULE 2

HOST STRUCTURE	ANCHOR	LOAD (psf)	1/4"-20 ALL POINTS SOLID-SET ANCHOR W/ 7/8" MIN EMBED (3200psi MIN CONC)	CONCRETE	1/4" ELCO PANELMATE EMBED (FEMALE) WITH 1-1/4" MIN.
2" MIN EDGE DISTANCE (UNLESS NOTED OTHERWISE)	C1	SPANS UP TO 9'-4"	25	18"	12"
			29	18"	12"
SPANS UP TO 6'-4"	C1	SPANS UP TO 4'-4"	47	18"	7"
			54	13"	6"
SPANS UP TO 4'-4"	C1	SPANS UP TO 3'-0"	72	11"	6"
			66	10"	6"

CONCRETE (3200 psi)

HOLLOW CONCRETE BLOCK

ANCHOR SCHEDULE 3

NOTE: ANCHOR SCHEDULE NOTES, SEE SHEET 3.0



James R. Bailey
11/11/12

SHEET: 5.0

CHECKED BY: PAR

DRAWN BY: PAR

FILE NAME: F-12 DIAMOND

JOB NUMBER: DE507

DOCUMENT DATE: 07/26/07

BY: REV	DATE	DESCRIPTION
KL	0	10/21/12 TEXAS DEPARTMENT OF INSURANCE SUBMITTAL

THIS DOCUMENT, INCLUDING CONTINUATION, AND ANY REVISIONS THEREON, IS THE PROPERTY OF HENDEE ENTERPRISES, INC. IT IS TO BE USED ONLY FOR THE PROJECT AND AT THE LOCATION SPECIFIED HEREON. IT IS NOT TO BE REPRODUCED, COPIED, OR TRANSMITTED IN ANY FORM OR BY ANY MEANS, ELECTRONIC OR MECHANICAL, INCLUDING PHOTOCOPYING, RECORDING, OR BY ANY INFORMATION STORAGE AND RETRIEVAL SYSTEM, WITHOUT THE WRITTEN PERMISSION OF HENDEE ENTERPRISES, INC. HENDEE ENTERPRISES, INC. ACCEPTS NO LIABILITY FOR ANY DAMAGE, LOSS, OR INJURY, INCLUDING REASONABLE ATTORNEY'S FEES, ARISING FROM THE USE OF THIS DOCUMENT, OR FROM ANY NEGLIGENCE, WHETHER ACTIVE OR PASSIVE, OF HENDEE ENTERPRISES, INC. OR ANY OF ITS AGENTS, OFFICERS, OR EMPLOYEES. HENDEE ENTERPRISES, INC. IS NOT A PROFESSIONAL ENGINEER OR ARCHITECT IN THE STATE OF TEXAS. THE PROFESSIONAL ENGINEER'S SEAL IS NOT TO BE USED FOR ANY PROJECT OTHER THAN THAT SPECIFIED HEREON.

CLIENT: HENDEE ENTERPRISES

LOCATION: HOUSTON, TX

TITLE: FORCE 12 - SERIES 100 - DIAMOND SCREEN

DATE: 10/31/12

REVISION: 0

CONSULTANTS:

James R. Bailey, P.E.
Texas PE # 74911
Rudolph Risk Consulting, L.L.C.
4931 Chappel Hill Dr.
Missouri City, Texas 77459
281-403-2425
Texas Firm # 11044

Hendee Enterprises, Inc.
The Innovative Solutions Company

800-898-4388, Houston, TX 27110-4780, 820 South Loop West, Suite 100, Houston, TX 77054
(713) 736-2322, Fax (713) 736-0404, (800) 231-7275, (909) 225-3641 (Texas)

COPYRIGHT © 2002 HENDEE ENTERPRISES, INC. ALL RIGHTS RESERVED.

EXPORT OF THIS DOCUMENT TO COUNTRIES OUTSIDE OF THE U.S. IS SUBJECT TO U.S. EXPORT ADMINISTRATION REGULATIONS.

MAXIMUM ALLOWABLE PRESSURES

CONCRETE	-60.0 PSF & -60.0 PSF	+60.0 PSF & +60.0 PSF
HOLLOW CONCRETE BLOCK	-54.0 PSF	+54.0 PSF

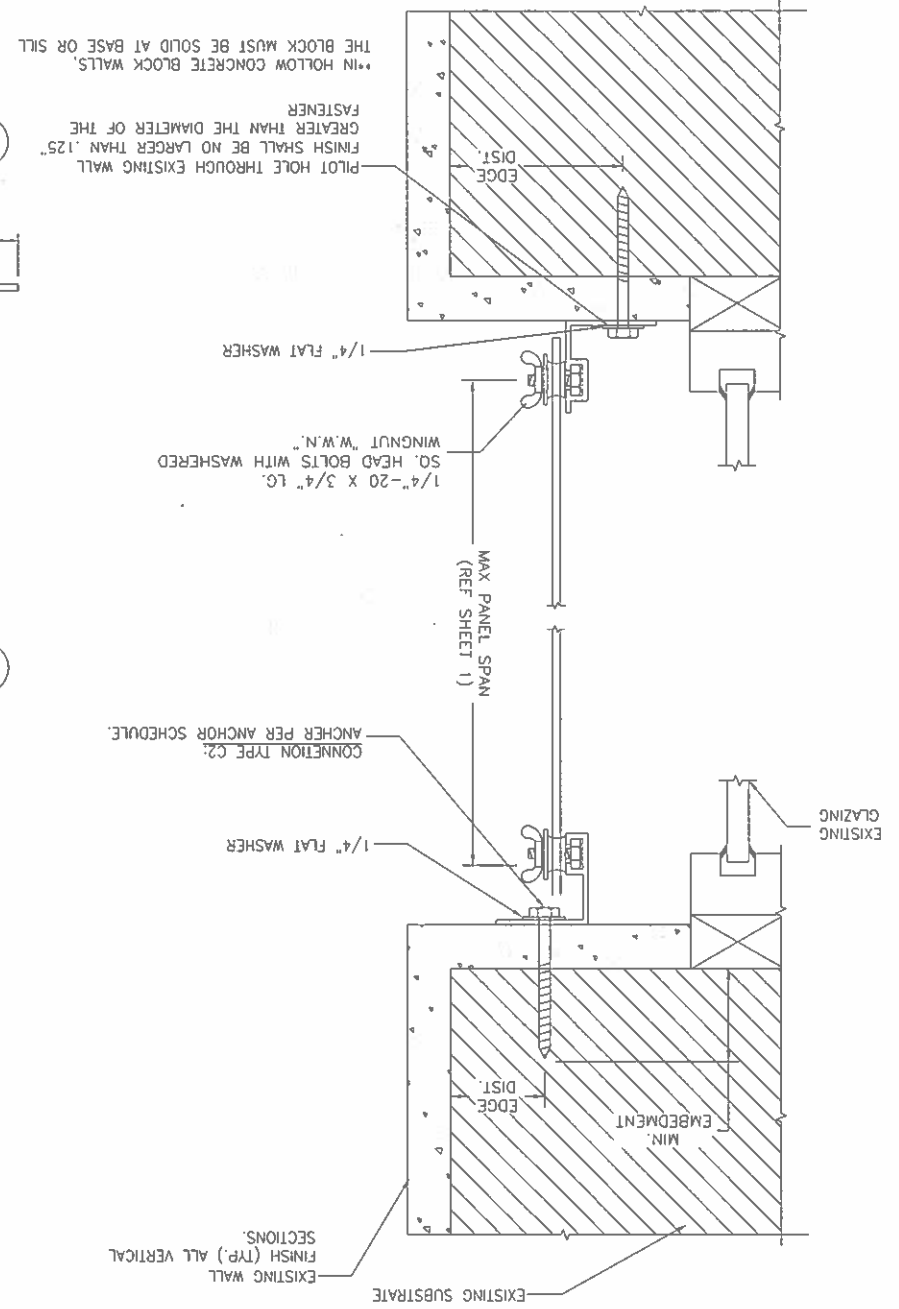
TRACK MOUNT ZIPPER

MAXIMUM ALLOWABLE PRESSURES

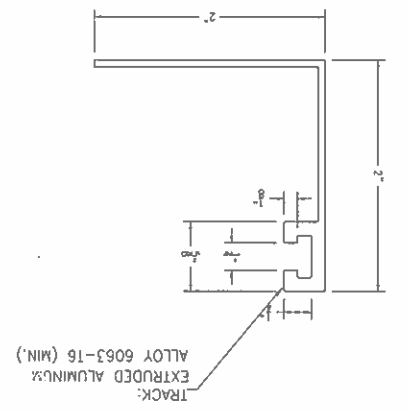
CONCRETE	-66.0 PSF & +66.0 PSF	+66.0 PSF & +66.0 PSF
HOLLOW CONCRETE BLOCK	-54.0 PSF & +54.0 PSF	+54.0 PSF & +54.0 PSF

TRACK MOUNT NON-ZIPPER

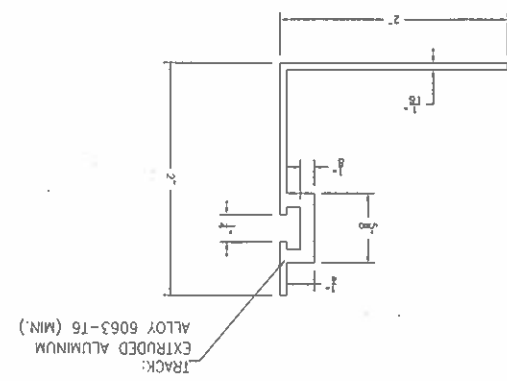
SCALE: NTS=1'-0" 1.0
DETAIL A-A: MOUNTING SECTION



SCALE: NTS=1'-0" 2.0
STUDES ANGLE TRACK



SCALE: NTS=1'-0" 3.0
REVERSE F TRACK



NOTE: ANCHOR SCHEDULE NOTES, SEE SHEET 3.0



ANCHOR SCHEDULE 3-B

1/4" TAPCON (ELCO)	11"	11"	11"	18
WITH 1-1/4" EMBED AND 1/4" FLAT SS WASHER	11"	11"	11"	28
(1500psi MIN CONC. BLOCK)	11"	9"	11"	34
	10"	8"	10"	42
	10"	6"	10"	54
1/4"-20 X 3/4" SO. HEAD THREADED STUD WITH WASHER WING NUT SET INSIDE F. TRACK.	12"	12"	12"	18
	12"	12"	12"	28
	12"	12"	12"	34
	12"	12"	12"	42
	12"	12"	12"	54

UNIFORM LOAD (psf)
SPANS UP TO 4'-4" CONN TYPE C2
SPANS UP TO 6'-4" CONN TYPE C2
SPANS UP TO 9'-4" CONN TYPE C2

2-1/2" MIN EDGE DISTANCE (UNLESS NOTED OTHERWISE)

HOLLOW CONCRETE BLOCK

ANCHOR SCHEDULE 2-B

1/4" TAPCON (ELCO)	14"	14"	14"	23
WITH 1-3/4" EMBED AND 1/4" FLAT SS WASHER	14"	14"	14"	36
(3200psi MIN CONC)	14"	13"	14"	53
	13"	11"	13"	66
	11"	9"	11"	66
1/4"-20 X 3/4" SO. HEAD THREADED STUD WITH WASHER WING NUT SET INSIDE F. TRACK.	12"	12"	12"	23
	12"	12"	12"	36
	12"	12"	12"	43
	12"	12"	12"	53
	12"	12"	12"	66

UNIFORM LOAD (psf)
SPANS UP TO 4'-4" CONN TYPE C2
SPANS UP TO 6'-4" CONN TYPE C2
SPANS UP TO 9'-4" CONN TYPE C2

2" MIN EDGE DISTANCE (UNLESS NOTED OTHERWISE)

CONCRETE (3200 psi)

SHEET: 6.0

DOCUMENT DATE: 07/26/07

JOB NUMBER: DE307

FILE NAME: F-12 DIAMOND

CHECKED BY: PAR

DATE: 10/31/12

DESCRIPTION: LEAS DEPARTMENT OF INSURANCE SUBMITTAL

CLIENT: HENDEE ENTERPRISES

LOCATION: HOUSTON, TX

TITLE: FORCE 12 - SERIES 100 - DIAMOND SCREEN

DATE: 10/31/12

REVISION: 0

CONSULTANTS:

James R. Bailey, P.E.
Texas PE # 74911
Platinum Risk Consulting LLC
4931 Chappel Hill Dr.
Missouri City, Texas 77459
281-403-2925
Texas Firm # 11044

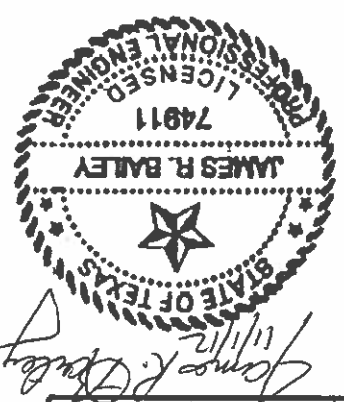
HE

Copyright © 2002
Hendee Enterprises, Inc.
The Innovative Solutions Company

Hendee Enterprises, Inc.
P.O. Box 4398, Houston, TX 77210-4398
(713) 786-3322, Fax (713) 786-0044, (800) 231-7275 (toll) (800) 523-3641 (toll)

EXPORT OF THIS DOCUMENT TO COUNTRIES OUTSIDE OF THE U.S. IS SUBJECT TO U.S. CUSTOMS ADMINISTRATION REGULATIONS.

7.0 SHEET:
 DOCUMENT DATE: 07/26/07
 JOB NUMBER: DE507
 FILE NAME: F-12 DIAMOND
 DRAWN BY: PAR
 CHECKED BY:



NOTE: ANCHOR SCHEDULE NOTES, SEE SHEET 3.0

BY/REV: DATE DESCRIPTION
 KLL 0 10/31/12 TEXAS DEPARTMENT OF INSURANCE SUBMITTA
 CLIENT: HENDEE ENTERPRISES
 LOCATION: HOUSTON, TX
 TITLE: FORCE 12 - SERIES 100 - DIAMOND SCREEN
 DATE: 10/31/12 REVISION: 0

CONSULTANTS:
 James R. Bailey, P.E.
 Texas PE # 74911
 Pullman Risk Consulting, LLC
 4931 Chappel Hill Dr.
 Missouri City, Texas 77459
 281-403-2325
 Texas Firm # 11944

Hendee Enterprises, Inc.
 The Innovative Solutions Company
 P.O. Box 4398 Houston, TX 77210-4398
 (713) 796-2322 Fax: (713) 796-0494
 Copyright © 2002 Hendee Enterprises, Inc. All Rights Reserved.
 EXPORT OF THIS DOCUMENT TO COUNTRIES BEYOND THE U.S. IS SUBJECT TO U.S. EXPORT ADMINISTRATION REGULATIONS.
 EXPORT WARNING: EXPORT OF THIS DOCUMENT TO COUNTRIES BEYOND THE U.S. IS SUBJECT TO U.S. EXPORT ADMINISTRATION REGULATIONS.

ANCHOR SCHEDULE 3

HOST STRUCTURE	ANCHOR	LOAD (psf)	SPANS UP TO	CONN TYPE	CONN TYPE	SPANS UP TO	CONN TYPE	EMBED	DESCRIPTION
HOLLOW BLOCK	1/4" ELCO PANELMATE (FEMALE) WITH 1-1/4" MIN. EMBED	61	7"	C1	C1	10"	C1	4"	HOLLOW BLOCK
			8"	C1	C1	10"	C1	4"	
			9"	C1	C1	10"	C1	5"	
			10"	C1	C1	10"	C1	5"	
			10"	C1	C1	10"	C1	10"	
			11"	C1	C1	10"	C1	6"	
			12"	C1	C1	10"	C1	6"	
			12"	C1	C1	10"	C1	7"	
			12"	C1	C1	10"	C1	8"	
			12"	C1	C1	10"	C1	12"	

ANCHOR SCHEDULE 2

HOST STRUCTURE	ANCHOR	LOAD (psf)	SPANS UP TO	CONN TYPE	CONN TYPE	SPANS UP TO	CONN TYPE	EMBED	DESCRIPTION
CONCRETE	1/4" ELCO PANELMATE (FEMALE) WITH 1-1/4" MIN. EMBED	66	10"	C1	C1	10"	C1	6"	CONCRETE
			12"	C1	C1	10"	C1	6"	
			12"	C1	C1	10"	C1	7"	
			12"	C1	C1	10"	C1	9"	
			12"	C1	C1	10"	C1	12"	
			14"	C1	C1	10"	C1	8"	
			18"	C1	C1	10"	C1	11"	
			18"	C1	C1	10"	C1	16"	
			18"	C1	C1	10"	C1	18"	
			18"	C1	C1	10"	C1	18"	

HOLLOW CONCRETE BLOCK

CONCRETE (3200 psi)

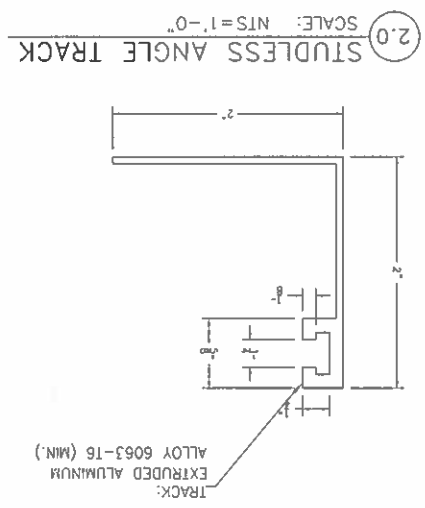
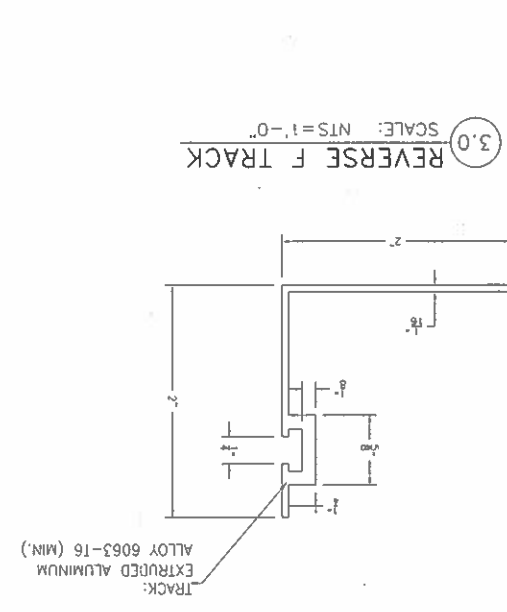
TRACK MOUNT NON-ZIPPER

MAXIMUM ALLOWABLE PRESSURES	
CONCRETE	-66.0 PSF & +66.0 PSF
HOLLOW CONCRETE BLOCK	-54.0 PSF & +54.0 PSF

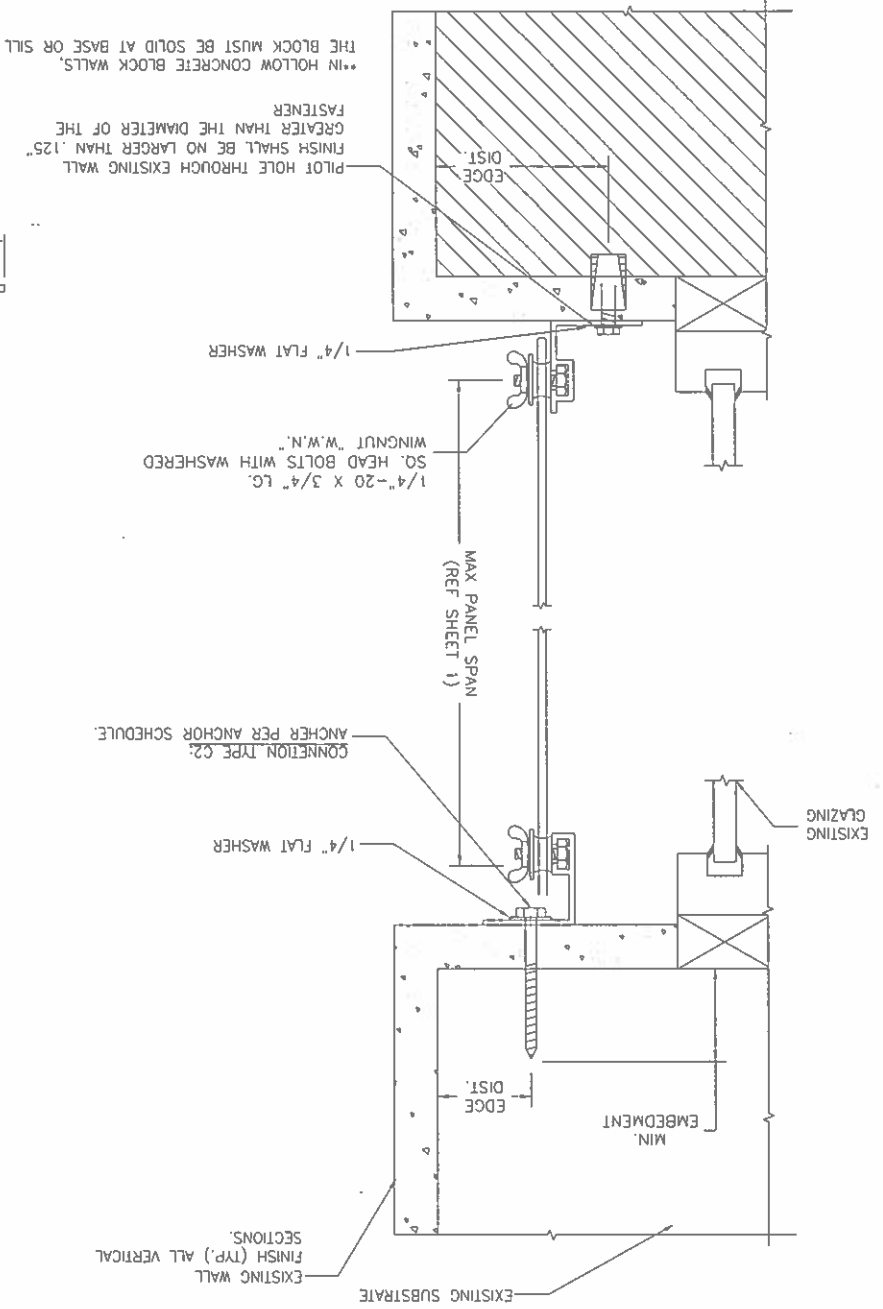
MAXIMUM ALLOWABLE SPAN

CONCRETE	9'-4"
HOLLOW CONCRETE BLOCK	9'-4"

MINIMUM ALLOWABLE WIDTH (NON-SPAN DIMENSION) 12.0"
 MINIMUM ALLOWABLE SPAN: 12.0"



1.0 SCALE: NTS=1'-0" DETAIL A-A: MOUNTING SECTION



TRACK MOUNT ZIPPER

MAXIMUM ALLOWABLE PRESSURES	
CONCRETE	-60.0 PSF & +60.0 PSF
HOLLOW CONCRETE BLOCK	-54.0 PSF & +54.0 PSF