

TEXAS DEPARTMENT OF INSURANCE

Engineering Services / MC 103-3A 333 Guadalupe Street P.O. Box 149104 Austin, Texas 78714-9104
Phone No. (512) 322-2212 Fax No. (512) 463-6693

PRODUCT EVALUATION RV-56

Effective November 1, 2009

*The following product has been evaluated for compliance with the wind loads specified in the **International Residential Code (IRC)** and the **International Building Code (IBC)**. This product shall be subject to reevaluation **February 2013**.*

This product evaluation is not an endorsement of this product or a recommendation that this product be used. The Texas Department of Insurance has not authorized the use of any information contained in the product evaluation for advertising, or other commercial or promotional purpose.

This product evaluation is intended for use by those individuals who are following the design wind load criteria in Chapter 3 of the IRC and Section 1609 of the IBC. The design loads determined for the building or structure shall not exceed the design load rating specified for the products shown in the limitations section of this product evaluation. This product evaluation does not relieve a Texas licensed engineer of his responsibilities as outlined in the Texas Insurance Code, the Texas Administrative Code, and the Texas Engineering Practice Act.

Static and Motorized Roof Vents manufactured by:

Ventamatic, LTD.
100 Washington Street
Mineral Wells, Texas 76067
(940) 325-7887

also sold under the private label **Owens Corning Ventsure®** will be acceptable in designated catastrophe zones along the Texas Gulf Coast when installed in accordance to manufacturer's installation instructions and this product evaluation.

PRODUCT DESCRIPTION

Static and Motorized Roof Vents are available in either slant back, square or round dome models and may be steel, aluminum, or plastic in construction. The vents are sold in colors mill (silver), black, brown, white, or weatherwood.

Roof vents accepted under this evaluation are as follows:

Type	Model #	Equivalent Model	Designation	DP (psf)
Static, Plastic Slant Back	SBV*	N/A	Ventamatic, LTD	-505.0
Static, Plastic Slant Back	SBV*	VTS761	Owens Corning Ventsure®	-505.0
Static, Aluminum Slant Back	SBV 603*	N/A	Ventamatic, LTD	-365.0
Static, Aluminum Slant Back	SBV 603*	VTS455	Owens Corning Ventsure®	-365.0
Static, Steel Slant Back	SBV 603GV*	N/A	Ventamatic, LTD	-505.0
Static, Steel Slant Back	SBV 603GV*	VTS555	Owens Corning Ventsure®	-505.0
Static, Aluminum Square Top	STV-51*	N/A	Ventamatic, LTD	-265.0
Static, Aluminum Square Top	STV-51*	VTS452	Owens Corning Ventsure®	-265.0
Static, Steel Square Top	STV-51GV*	N/A	Ventamatic, LTD	-350.0
Static, Steel Square Top	STV-51GV*	VTS552	Owens Corning Ventsure®	-350.0
Static, Steel Slant Back	SBV-40GV*	N/A	Ventamatic, LTD	-350.0
Static, Steel Dome	VX25*	N/A	Ventamatic, LTD	-350.0
Static, Steel Dome	VX25*	VTSG-144	Owens Corning Ventsure®	-350.0
Motorized, Steel Dome	VX25*	CX100AM*	Ventamatic, LTD	-350.0
Motorized, Steel Dome	VX25*	CX2001AM*	Ventamatic, LTD	-350.0
Motorized, Steel Dome	VX25*	CX3000EEAM*	Ventamatic, LTD	-350.0
Motorized, Steel Dome	VX25*	CX4000AM*	Ventamatic, LTD	-350.0

Type	Model #	Equivalent Model	Designation	DP (psf)
Motorized, Steel Dome	VX25*	VX1000AM*	Ventamatic, LTD	-350.0
Motorized, Steel Dome	VX25*	VX1000SOLAR	Ventamatic, LTD	-350.0
Motorized, Steel Dome	VX25*	VX2414AM	Ventamatic, LTD	-350.0
Motorized, Steel Dome	VX25*	VXNRGTAM	Ventamatic, LTD	-350.0
Motorized, Steel Dome	VX25*	VXSVRAM	Ventamatic, LTD	-350.0
Motorized, Steel Dome	VX25*	VXVIPTAM	Ventamatic, LTD	-350.0

* Suffixes on the above models specify 1) Color – such as Black, (BLK), Brown (BRN), etc.
2) Construction Material – such as Steel, Aluminum, etc.

INSTALLATION INSTRUCTIONS

General Installation Requirements:

All requirements specified in the International Residential Code (IRC) and the International Building Code (IBC) must be satisfied and manufacturer's installation instructions followed, unless otherwise specified by this product evaluation.

Roof Deck:

The roof deck shall consist of APA rated plywood with a minimum thickness of $\frac{1}{2}$ " inch.

SBV-61

All vents shall be installed with galvanized steel roofing nails 1" long with a head diameter of $\frac{3}{8}$ " and a shank diameter of $\frac{1}{8}$ "; the nails penetrated the roof deck. Refer to diagrams below for the nailing locations of each vent.

STV-51-GV

All vents shall be installed with galvanized steel roofing nails 1" long with a head diameter of $\frac{3}{8}$ " and a shank diameter of $\frac{1}{8}$ "; the nails penetrated the roof deck. Refer to diagrams below for the nailing locations of each vent.

STV-51

All vents shall be installed with galvanized steel roofing nails 1" long with a head diameter of $\frac{3}{8}$ " and a shank diameter of $\frac{1}{8}$ "; the nails penetrated the roof deck. Refer to diagrams below for the nailing locations of each vent.

VX-25

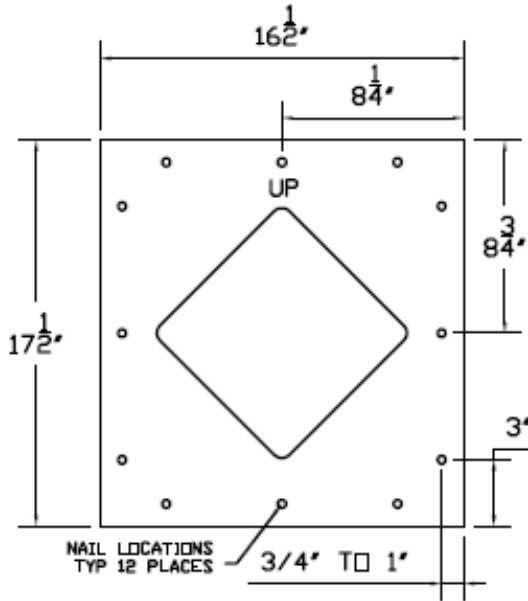
All vents shall be installed with galvanized steel roofing nails 1" long with a head diameter of $\frac{3}{8}$ " and a shank diameter of $\frac{1}{8}$ "; the nails penetrated the roof deck. Refer to diagrams below for the nailing locations of each vent.

SBV-40

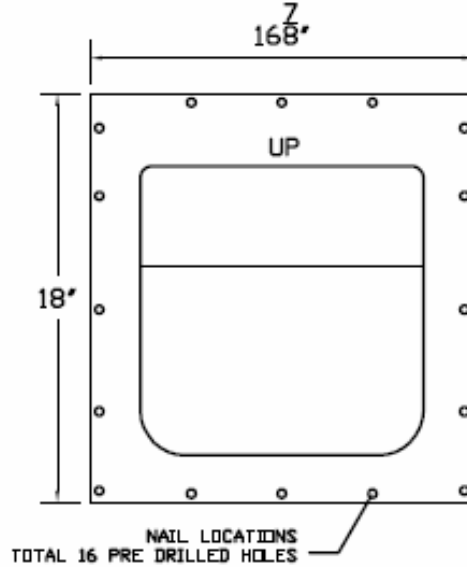
All vents shall be installed with galvanized steel roofing nails 1" long with a head diameter of $\frac{3}{8}$ " and a shank diameter of $\frac{1}{8}$ "; the nails penetrated the roof deck. Refer to diagrams below for the nailing locations of each vent.

SBV-603

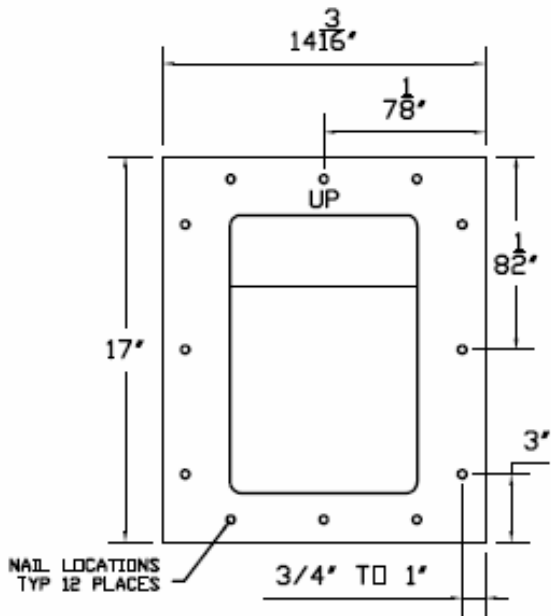
All vents shall be installed with galvanized steel roofing nails 1" long with a head diameter of $\frac{3}{8}$ " and a shank diameter of $\frac{1}{8}$ "; the nails penetrated the roof deck. Refer to diagrams below for the nailing locations of each vent.



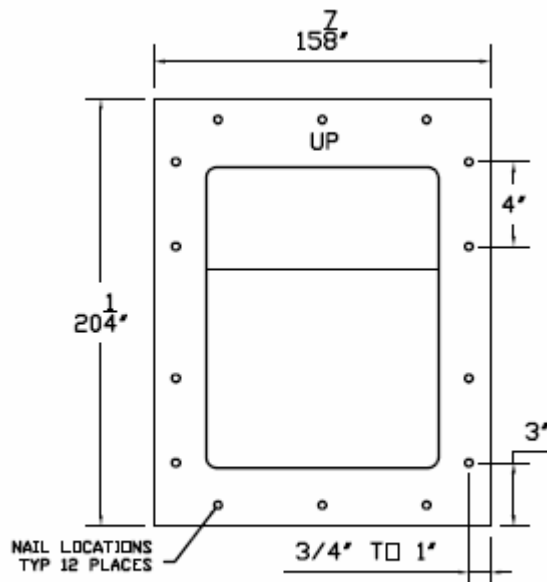
STV 51 / STV51 GV



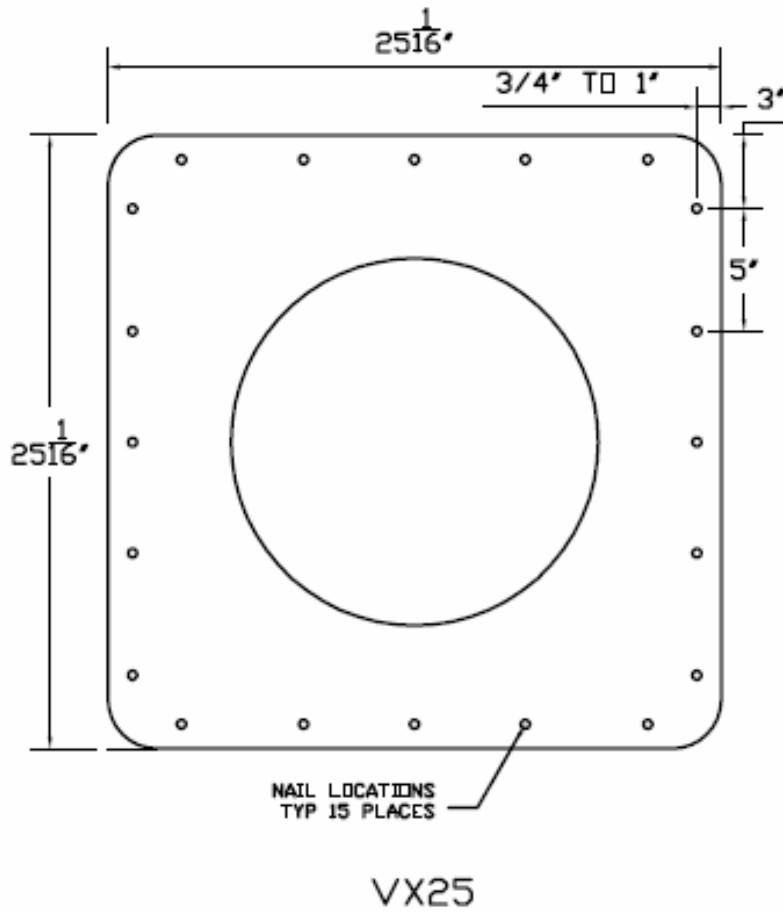
SBV 61



SBV 40 GV



SBV 603 / SBV 603 GV



Note: The manufacturer's installation instructions shall be available on the job site during installation. All fasteners shall be corrosion resistant as specified in the International Residential Code (IRC) and the International Building Code (IBC).