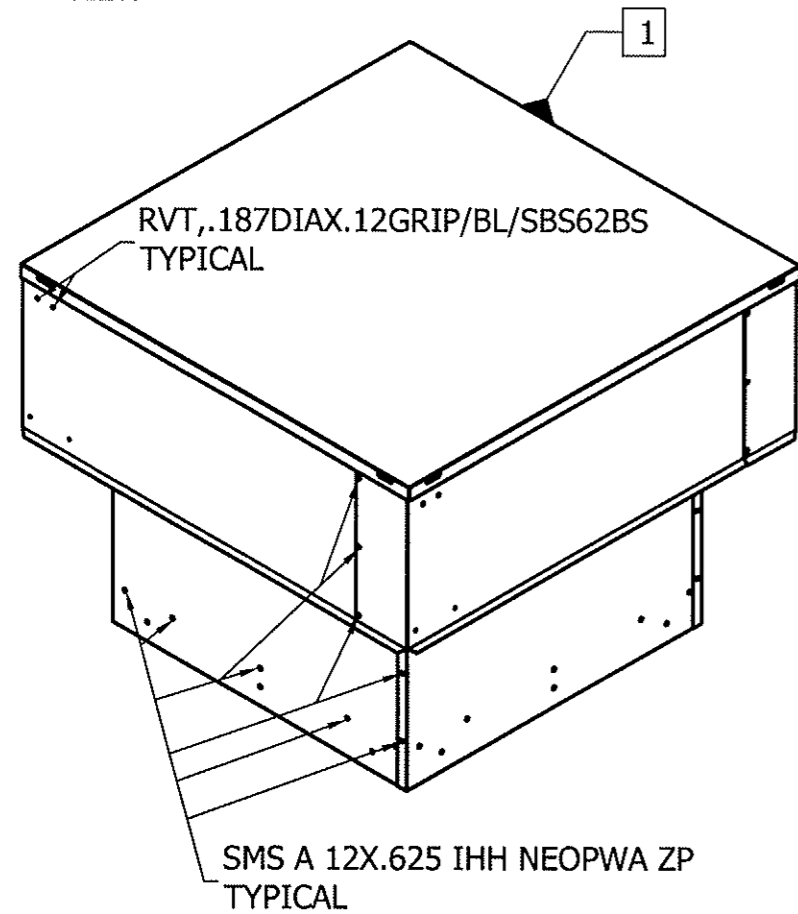
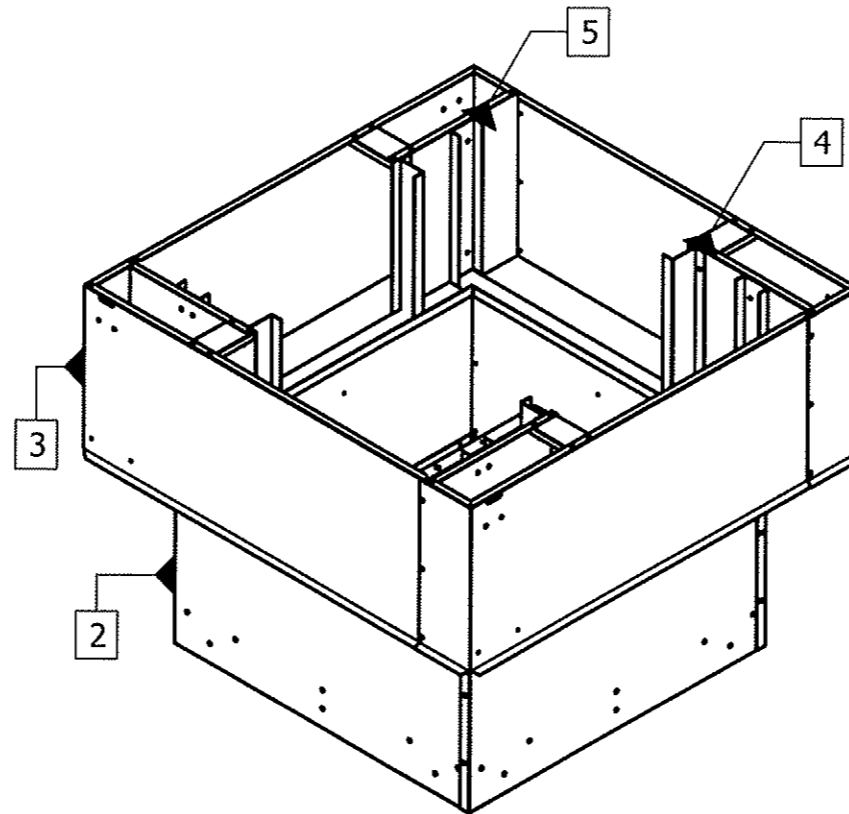


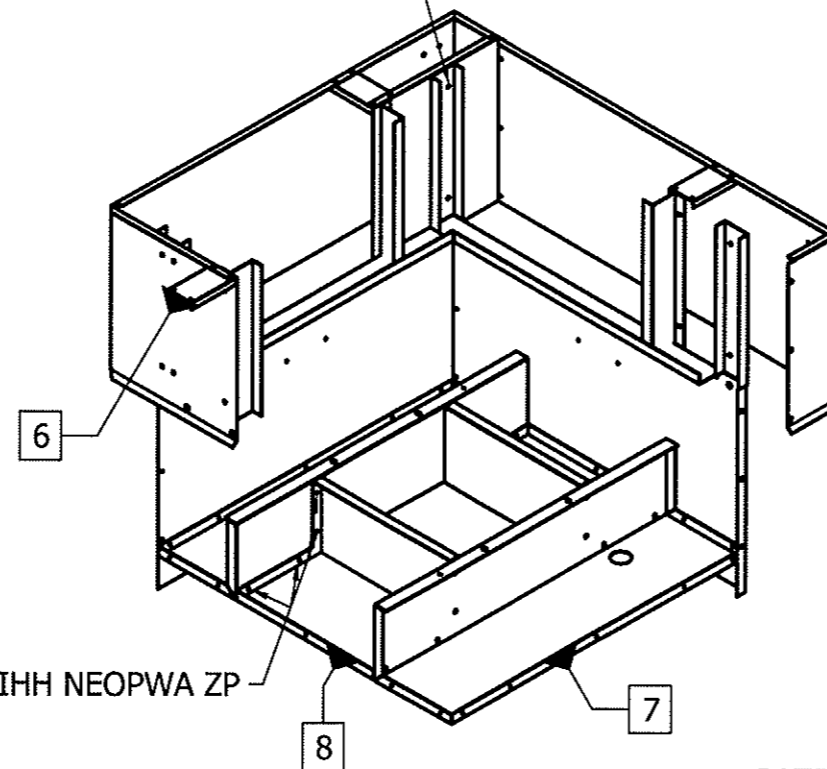
COMPLETE ISOMETRIC VIEW



ISOMETRIC VIEW W/O COVER PANELS



ALL INTERIOR PARTS USE RIVET RVT, .187DIA X .12GRIP/BL/SBS62BS



SMS A 12X.625 IHH NEOPWA ZP

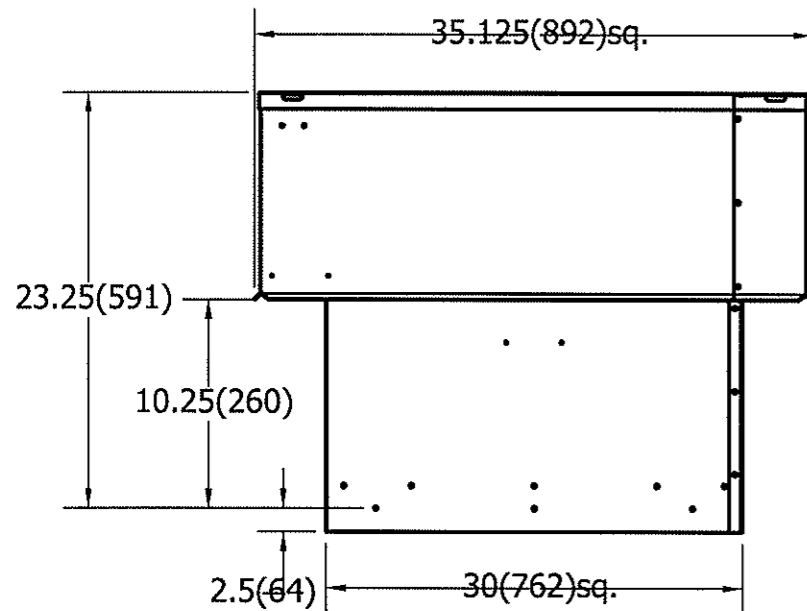
PARTIAL VIEW TO SHOW INSIDE

Notes:

1. FOOT STRUCTURE MUST BE DESIGNED TO WITHSTAND THE WEIGHT AND LOADING TRANSMITTED BY ROOF TOP FANS. FASTENERS SHALL BE AS SPECIFIED AND INSTALLED AS DETAILED.
2. DESIGN, TESTING, AND INSTALLATION CONFORMS TO THE TEXAS REVISIONS TO THE 2006 INTERNATIONAL BUILDING CODE AND THE TEXAS REVISIONS TO THE 2006 INTERNATIONAL RESIDENTIAL CODE.
3. DESIGN PRESSURE = +/- 100 PSF. LARGE MISSILE IMPACT RESISTANT.
4. THIS APPROVAL IS FOR THE STRUCTURAL CAPACITY AND IMPACT RATING OF THE EXTERIOR HOUSING ONLY, IT DOES NOT INCLUDE ANY INTERIOR MECHANISM OR ELECTRICAL PART.
5. RSF UNIT WEIGHT = 145lbs.(66kg) - (WEIGHT SHOWN IS LARGEST CATALOGED OPEN DRIP PROFF MOTOR.)

ITEM	QTY	DESCRIPTION
1	1	COVER
2	4	SIDE PANEL
3	4	INTAKE SIDE
4	4	FILTER EDGE CHANNEL
5	4	FILTER CHANNEL
6	4	INTAKE SIDE SUPPORT
7	2	BLOWER SUPPORT PANEL
8	2	BLOWER CLOSURE PANEL

ALL DIMENSIONS ARE IN INCHES (MILLIMETERS)

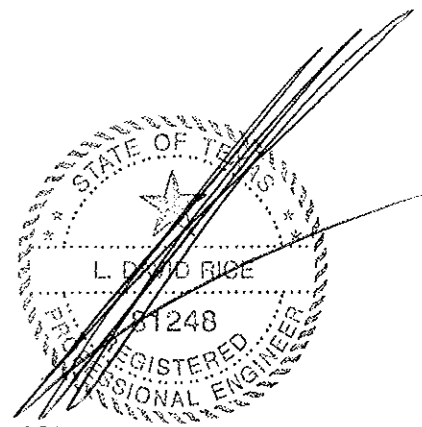


COMPLETE SIDE VIEW

RICE
ENGINEERING

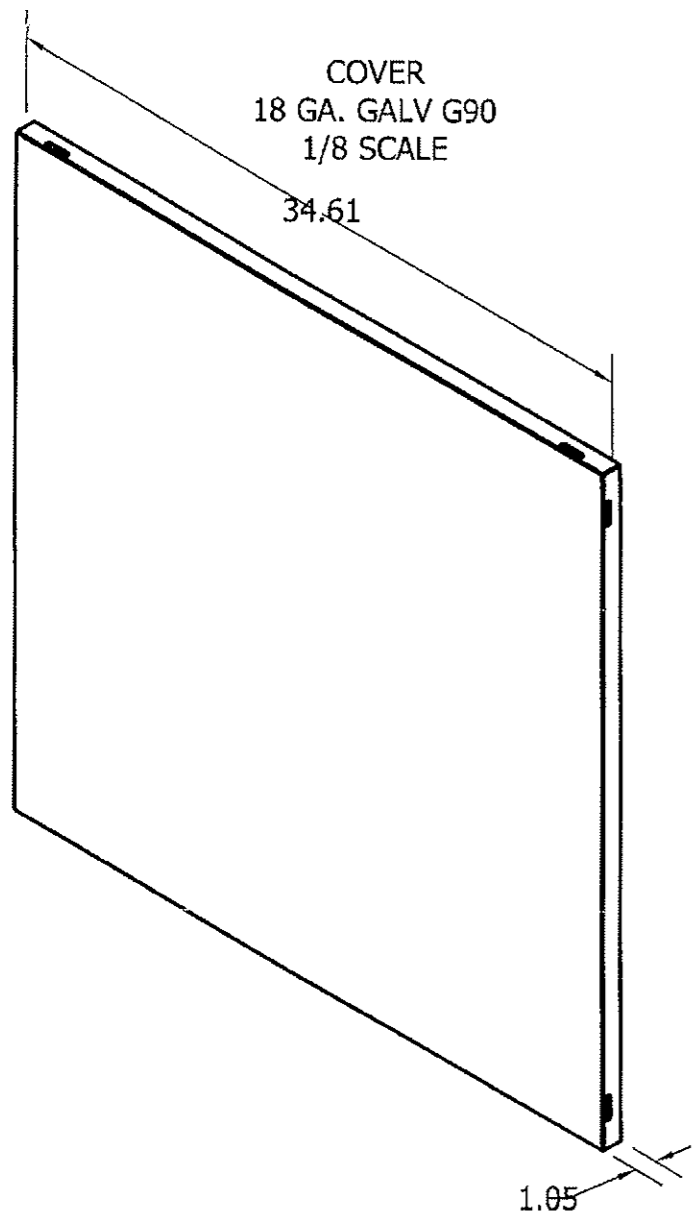
106 School Creek Trail
Luxemburg, WI 54217
Phone: 920.845.1042
Fax: 920.845.1048
www.rice-inc.com

Texas Firm No: F-2183
L. David Rice
Registration No: 81248



AUG 15 2012

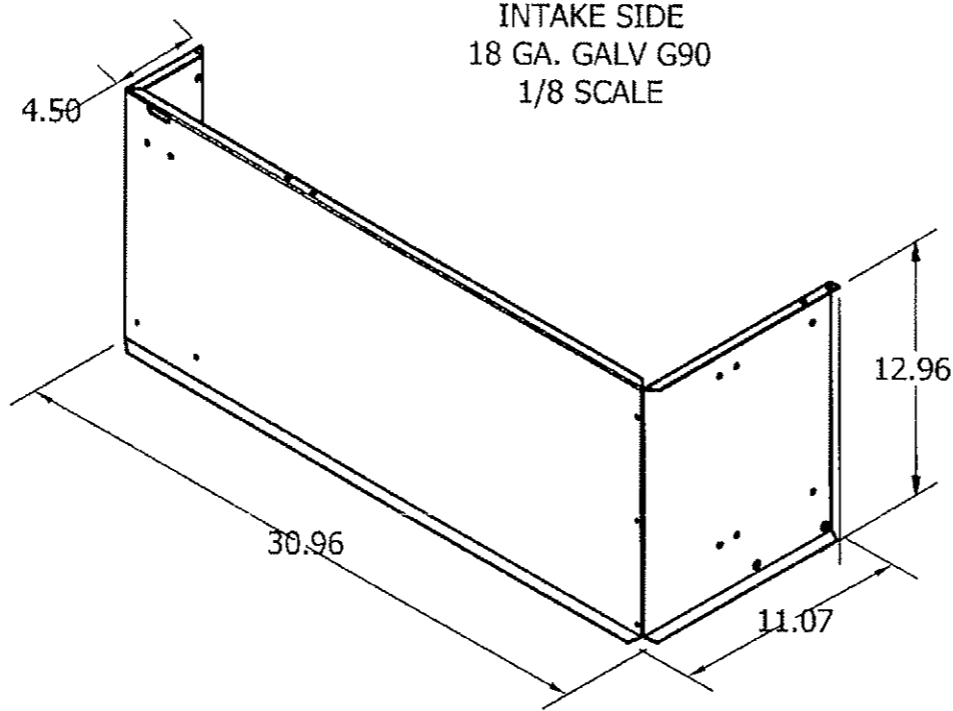
<p>GREENHECK P.O. BOX 410 SCHOFIELD, WISCONSIN 54476-0410</p>	DRAWN BY PFEIFFER	ECO
	DATE 08/03/2009	ENG. REF.
	SUPERSEDES	SHEET 1 OF 1
	SCALE	SHEET NO. HCS1001
TITLE RSF-90 SHEET 1 OF 15		



COVER
18 GA. GALV G90
1/8 SCALE

34.61

1.05



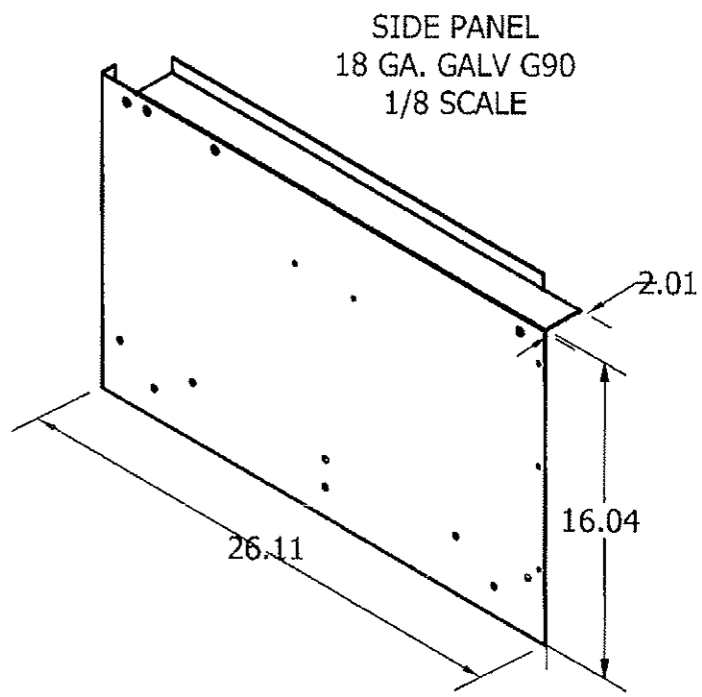
INTAKE SIDE
18 GA. GALV G90
1/8 SCALE

4.50

30.96

11.07

12.96



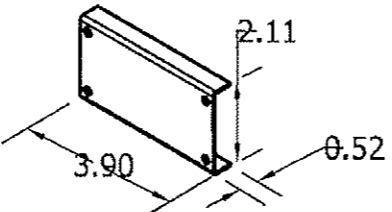
SIDE PANEL
18 GA. GALV G90
1/8 SCALE

2.01

26.11

16.04

INTAKE SIDE SUPPORT
18 GA. GALV G90
1/4 SCALE

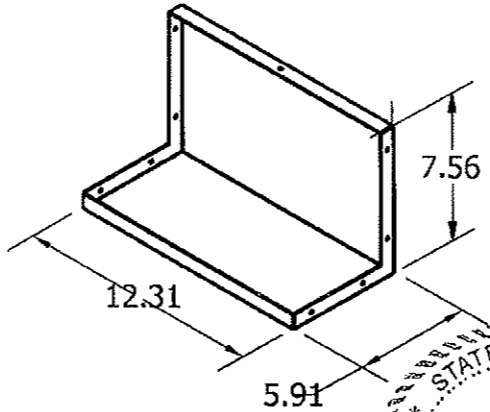


3.90

2.11

0.52

BLOWER CLOSURE PANEL
18 GA. GALV G90
1/8 SCALE

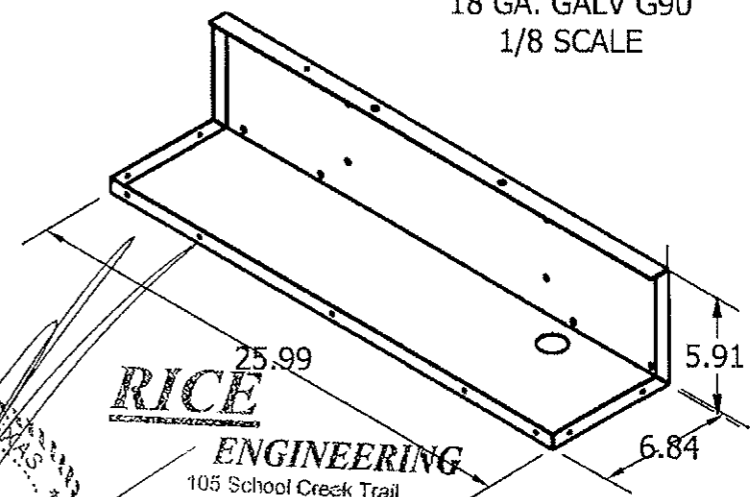


12.31

5.91

7.56

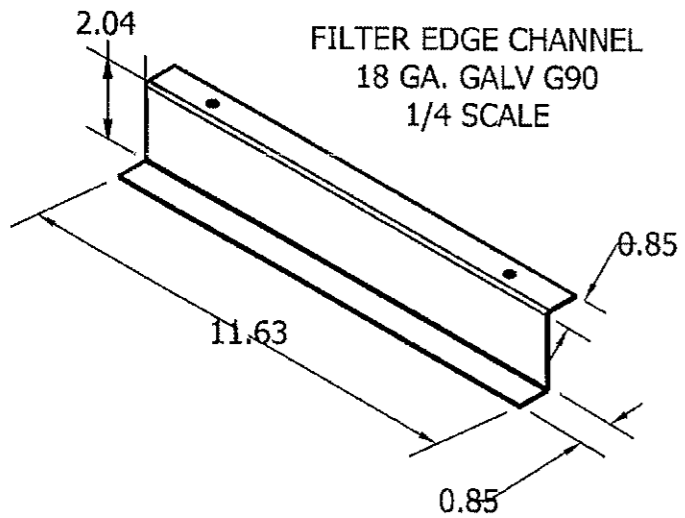
BLOWER SUPPORT PANEL
18 GA. GALV G90
1/8 SCALE



25.99

5.91

6.84



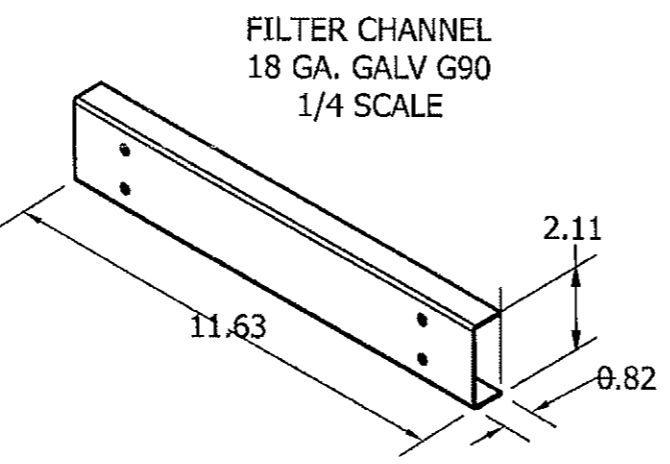
FILTER EDGE CHANNEL
18 GA. GALV G90
1/4 SCALE

2.04

11.63

0.85

0.85

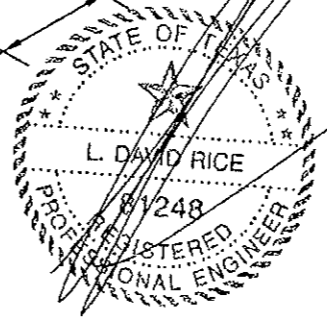


FILTER CHANNEL
18 GA. GALV G90
1/4 SCALE

11.63

2.11

0.82



JUN 14 2012

RICE
ENGINEERING

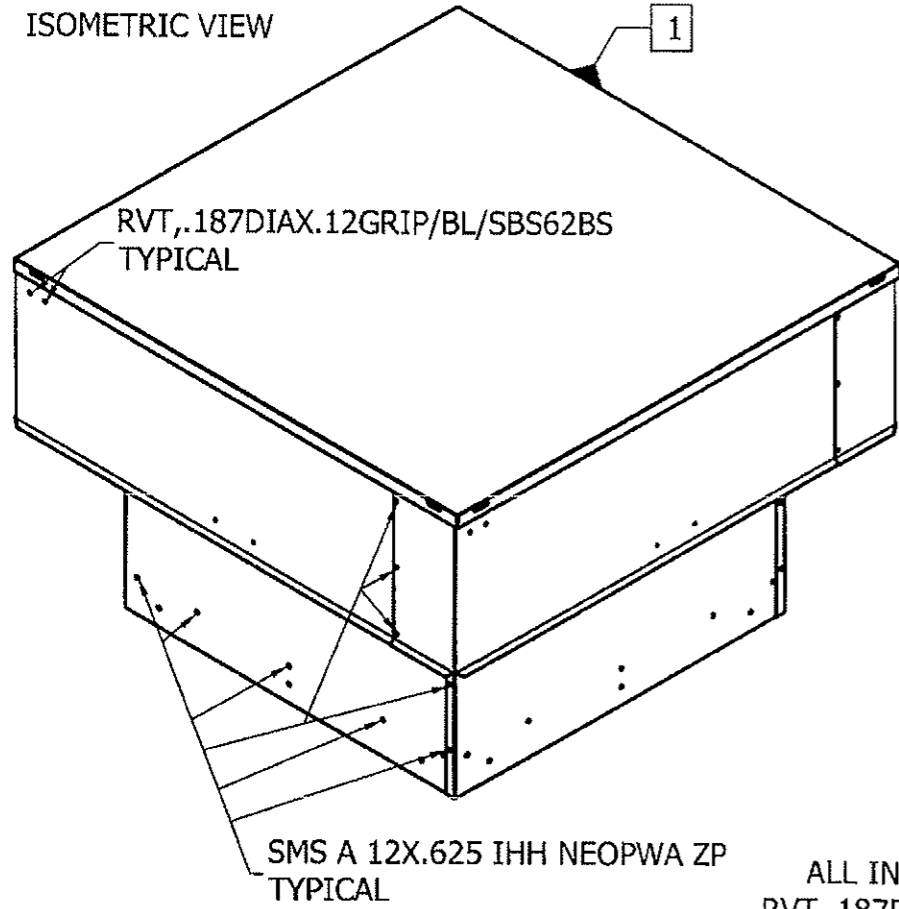
105 School Creek Trail
Luxemburg, WI 54217
Phone: 920.845.1042
Fax: 920.845.1048
www.rice-inc.com

Texas Firm No: F-2183
L. David Rice
Registration No: 81248

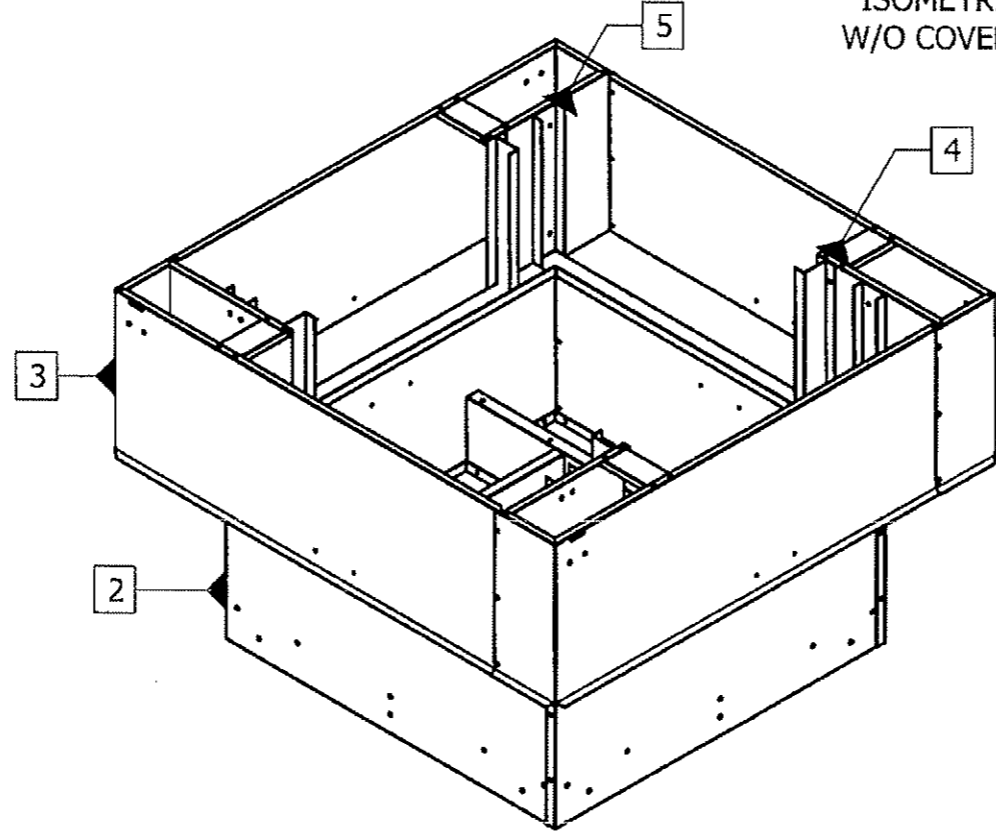
 P.O. BOX 410 SCHOFIELD, WISCONSIN 54476-0410	DRAWN BY	PFEIFFER	ECO
	DATE	08/03/2009	ENG. REF.
TITLE RSF-90 SHEET 2 OF 15	SUPERSEDES		
	SCALE		SHEET
			1 OF 1
CAD DRAWING NO.		HCS1002	

REVISION	SYM
CREATED HURICANE RATED DRAWING	0

COMPLETE ISOMETRIC VIEW



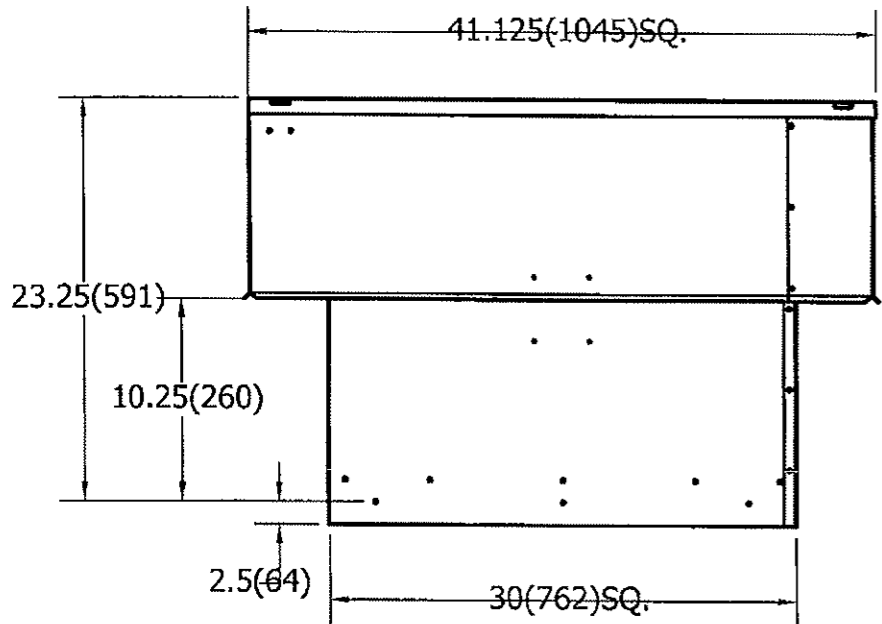
ISOMETRIC VIEW W/O COVER PANELS



- Notes:
1. MODEL RSF HAS BEEN SUCCESSFULLY TESTED IN ACCORDANCE WITH MIAMI DADE TEST PROTOCOL TAS-201 (LARGE MISSILE IMPACT), TAS-202 (STATIC LOADING), AND TAS-203 (CYCLEIC WIND LOADING).
 2. FOOT STRUCTURE MUST BE DESIGNED TO WITHSTAND THE WEIGHT AND LOADING TRANSMITTED BY ROOF TOP FANS. FASTENERS SHALL BE AS SPECIFIED AND INSTALLED AS DETAILED.
 3. DESIGN, TESTING, AND INSTALLATION CONFORMS TO FLORIDA BUILDING CODE.
 4. DESIGN PRESSURE = +/- 100 PSF. LARGE MISSILE IMPACT RESISTANT.
 5. TESTED FOR AREAS INCLUDING HIGH VELOCITY HURRICANE ZONES.
 6. THESE FANS HAVE NOT BEEN TESTED FOR WIND DRIVEN RAIN TEST PER FLORIDA BUILDING CODE, TAS-100 (A)-95.
 7. THIS APPROVAL IS FOR THE STRUCTURAL CAPACITY AND IMPACT RATING OF THE EXTERIOR HOUSING ONLY, IT DOES NOT INCLUDE ANY INTERIOR MECHANISM OR ELECTRICAL PART.
 8. RSF UNIT WEIGHT = 173lbs.(78kg) - (WEIGHT SHOWN IS LARGEST CATALOGED OPEN DRIP PROFF MOTOR.)

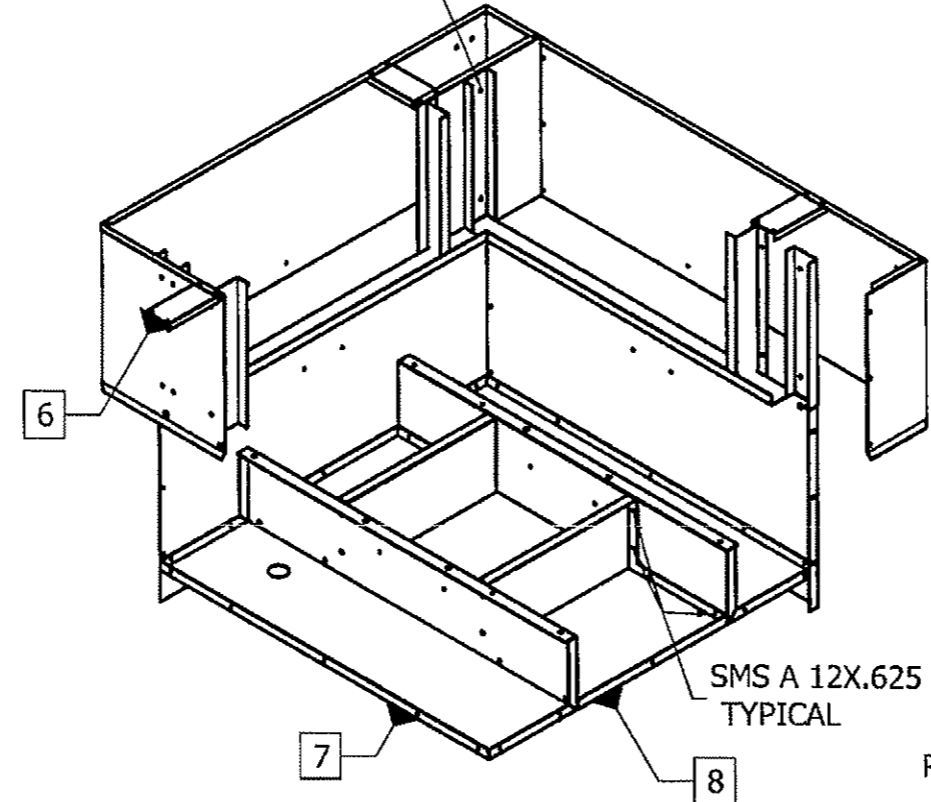
ITEM	QTY	DESCRIPTION
1	1	COVER
2	4	SIDE PANEL
3	4	INTAKE SIDE
4	4	FILTER EDGE CHANNEL
5	4	FILTER CHANNEL
6	4	INTAKE SIDE SUPPORT
7	2	BLOWER SUPPORT PANEL
8	2	BLOWER CLOSURE PANEL

ALL DIMENSIONS ARE IN INCHES (MILLIMETERS)

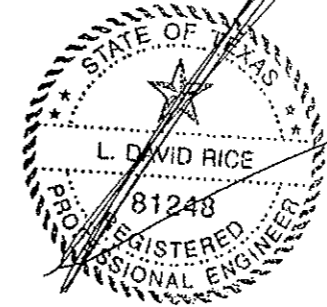


COMPLETE SIDE VIEW

ALL INTERIOR PART USE RIVET RVT, .187DIA X .12GRIP/BL/SBS62BS



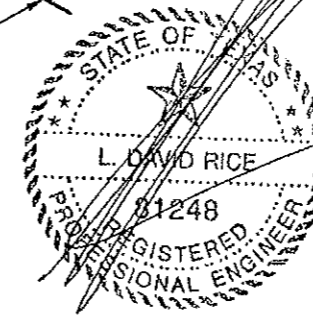
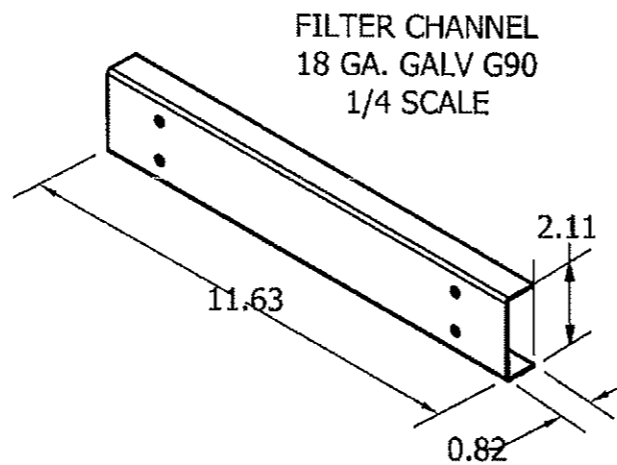
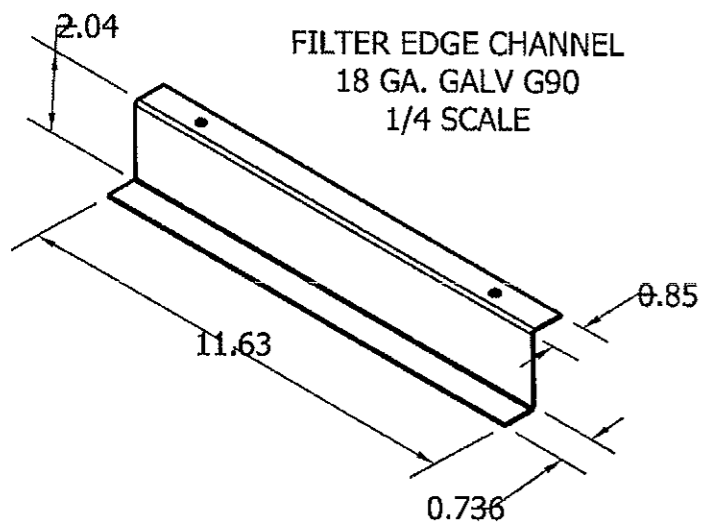
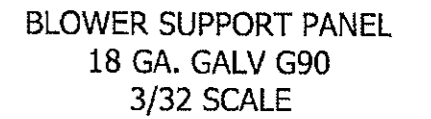
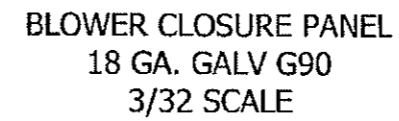
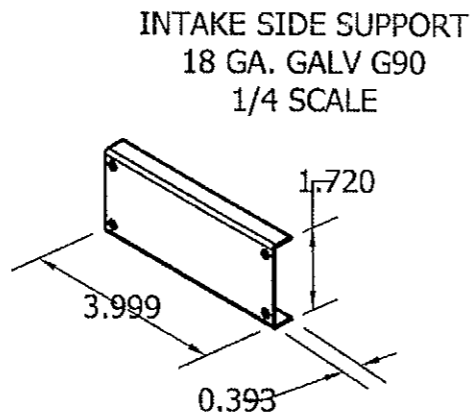
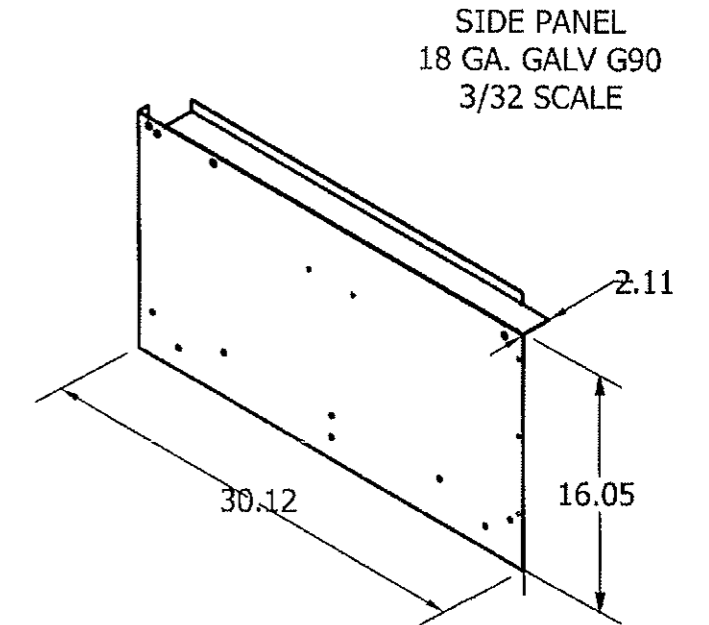
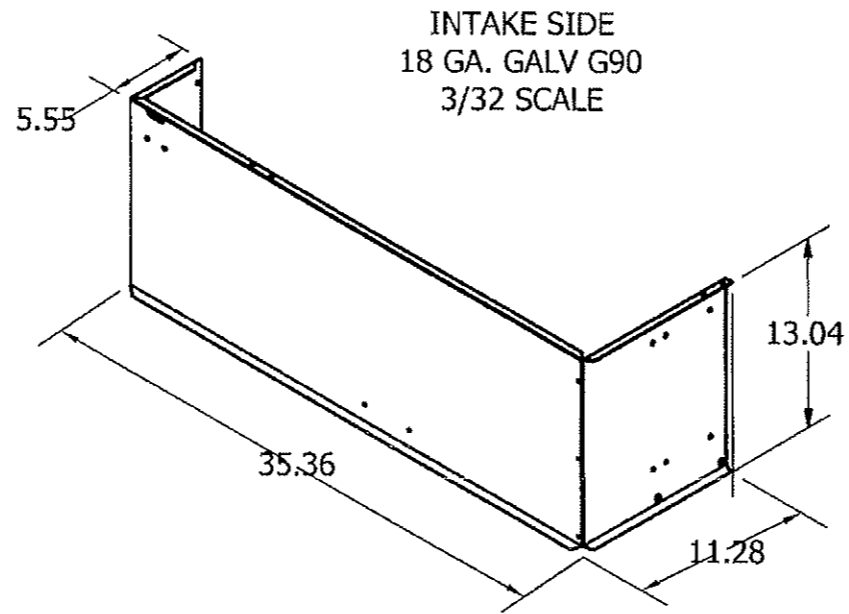
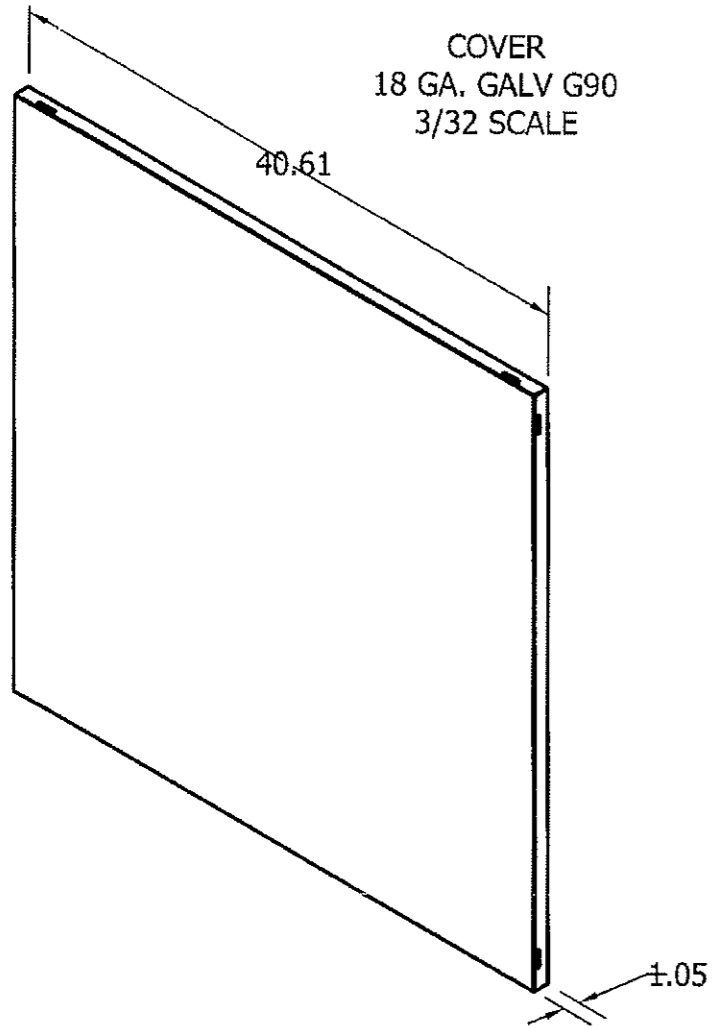
PARTIAL VIEW TO SHOW INSIDE



RICE
ENGINEERING
105 School Creek Trail
Luxemburg, WI 54217
Phone: 920.845.1042
Fax: 920.845.1048
www.rice-inc.com
Texas Firm No: F-2183
L. David Rice
Registration No: 81248

JUN 14 2012

 P.O. BOX 410 SCHOFIELD, WISCONSIN 54476-0410	DRAWN BY PFEIFFER	ECCO
	DATE 08/03/2009	ENG. REF.
TITLE RSF-100 SHEET 3 OF 15	SUPERSIDES	SHEET 1 OF 1
CAD DRAWING NO.	HCS1003	




RICE
ENGINEERING

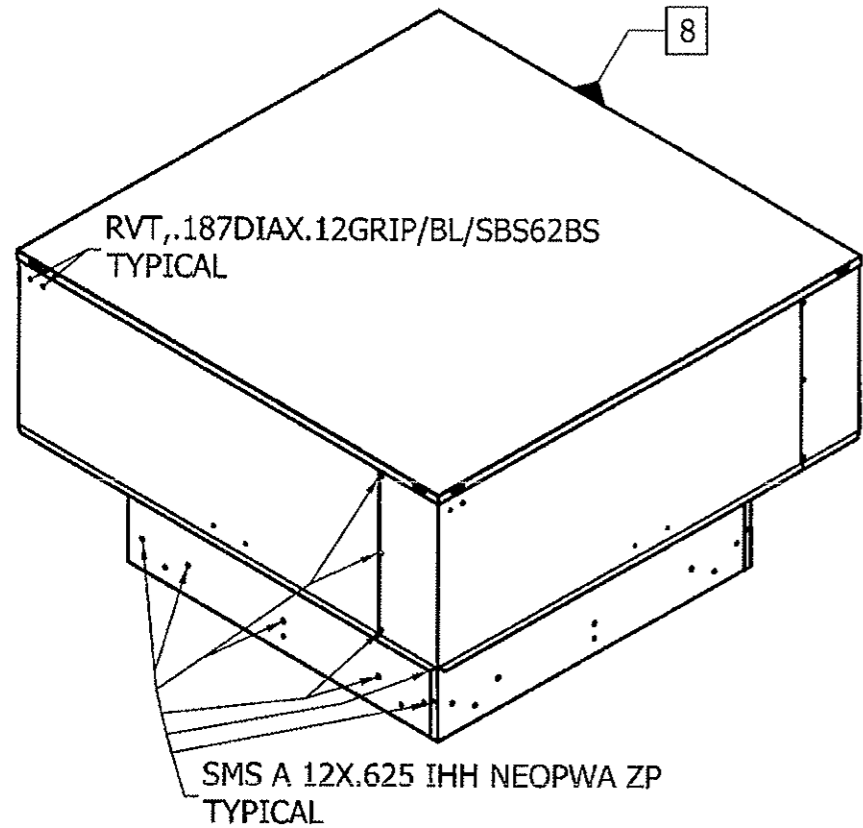
105 School Creek Trail
Luxemburg, WI 54217
Phone: 920.845.1042
Fax: 920.845.1048
www.rice-inc.com

Texas Firm No: F-2183
L. David Rice
Registration No: 81248

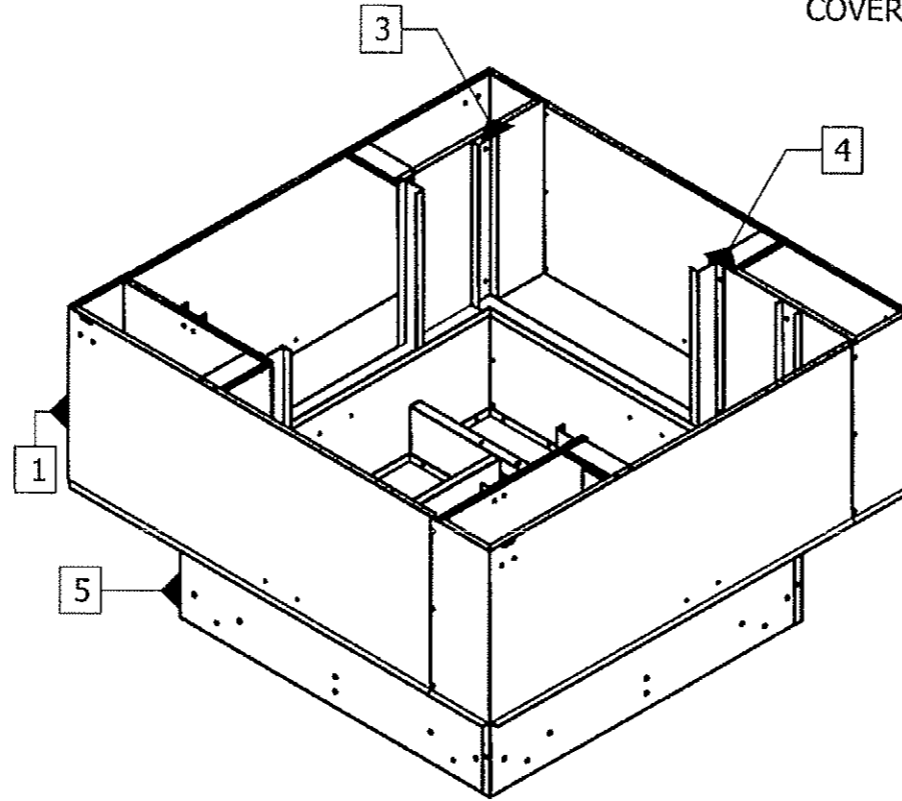
JUN 14 2012

 GREENHECK P.O. BOX 410 SCHOFIELD, WISCONSIN 54478-0410	DRAWN BY PFEIFFER	ECO
	DATE 08/03/2009	ENG. REF.
TITLE RSF-100 SHEET 4 OF 15	SUPERSEDES	SHEET 1 OF 1
CAD DRAWING NO. HCS1004		

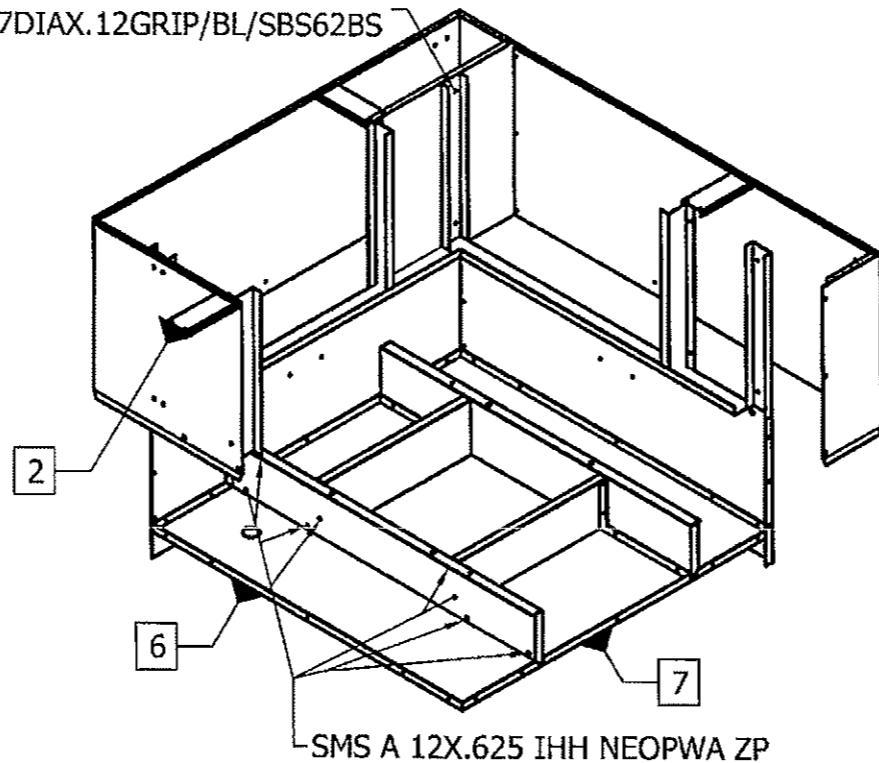
COMPLETE ISOMETRIC VIEW



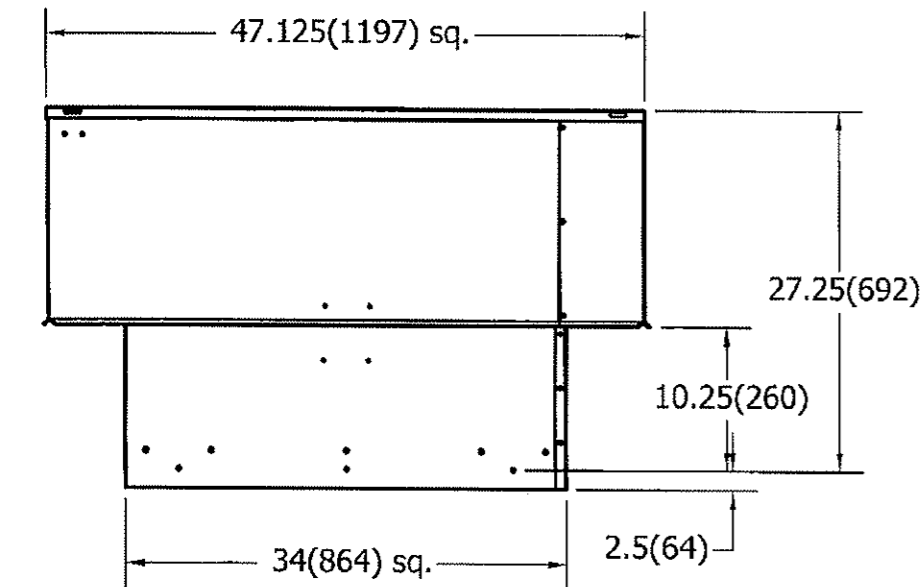
ISOMETRIC VIEW W/O COVER PANELS



ALL INTERIOR PARTS USE RIVET
RVT, .187DIA X .12GRIP/BL/SBS62BS



PARTIAL VIEW TO SHOW INSIDE



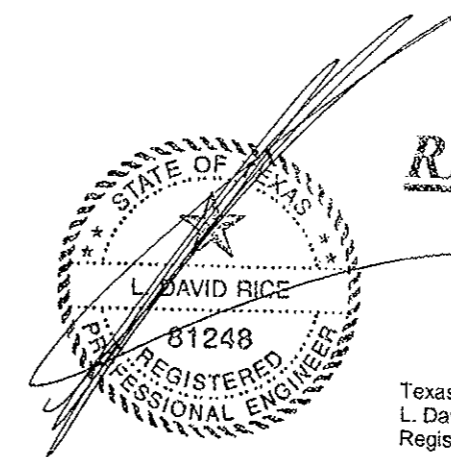
COMPLETE SIDE VIEW

REVISION	SYM
CREATED HURICANE RATED DRAWING	0

- Notes:
1. MODEL RSF HAS BEEN SUCCESSFULLY TESTED IN ACCORDANCE WITH MIAMI DADE TEST PROTOCOL TAS-201(LARGE MISSILE IMPACT), TAS-202 (STATIC LOADING), AND TAS-203 (CYCLEIC WIND LOADING).
 2. FOOT STRUCTURE MUST BE DESIGNED TO WITHSTAND THE WEIGHT AND LOADING TRANSMITTED BY ROOF TOP FANS. FASTENERS SHALL BE AS SPECIFIED AND INSTALLED AS DETAILED.
 3. DESIGN, TESTING, AND INSTALLATION CONFORMS TO FLORIDA BUILDING CODE.
 4. DESIGN PRESSURE = +/- 100 PSF. LARGE MISSILE IMPACT RESISTANT.
 5. TESTED FOR AREAS INCLUDING HIGH VELOCITY HURRICANE ZONES.
 6. THESE FANS HAVE NOT BEEN TESTED FOR WIND DRIVEN RAIN TEST PER FLORIDA BUILDING CODE, TAS-100 (A)-95.
 7. THIS APPROVAL IS FOR THE STRUCTURAL CAPACITY AND IMPACT RATING OF THE EXTERIOR HOUSING ONLY, IT DOES NOT INCLUDE ANY INTERIOR MECHANISM OR ELECTRICAL PART.
 8. RSF UNIT WEIGHT = 225lbs.(102 kg) - (WEIGHT SHOWN IS LARGEST CATALOGED OPEN DRIP PROFF MOTOR.)

ITEM	QTY	DESCRIPTION
1	4	Intake Side
2	4	Intake Side Support
3	4	Filter Channel
4	4	Filter Edge Channel
5	4	Side Panel
6	2	Blower Support Panel
7	2	Blower Closure Panel
8	1	Cover

ALL DIMENSIONS ARE IN INCHES (MILLIMETERS)



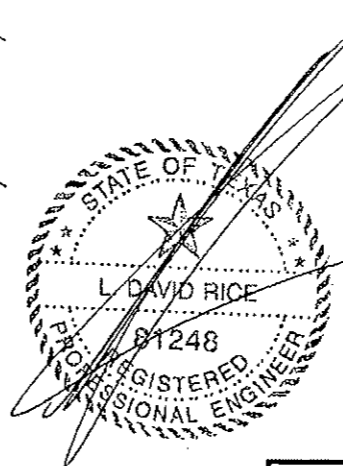
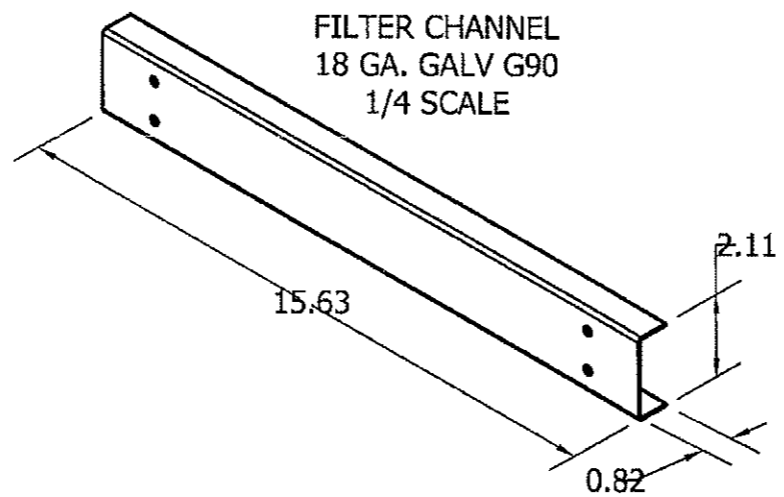
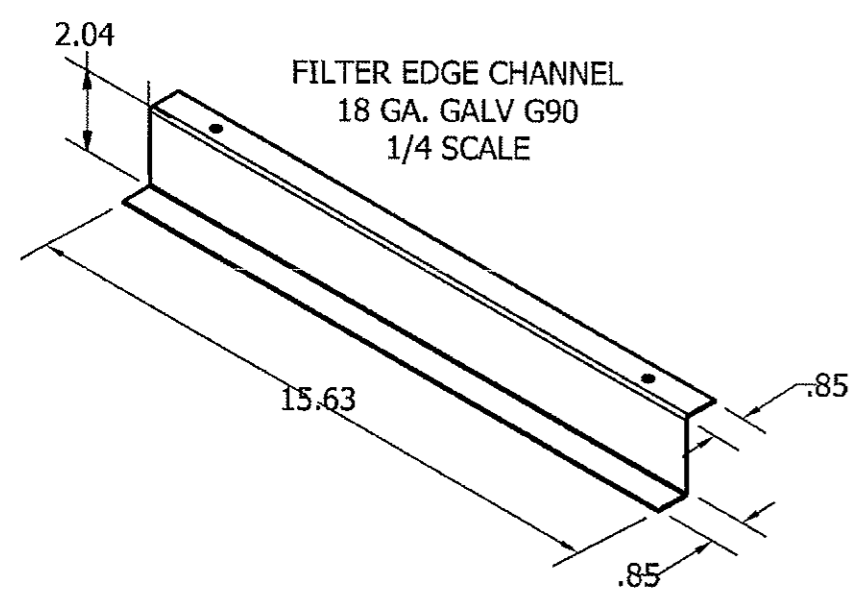
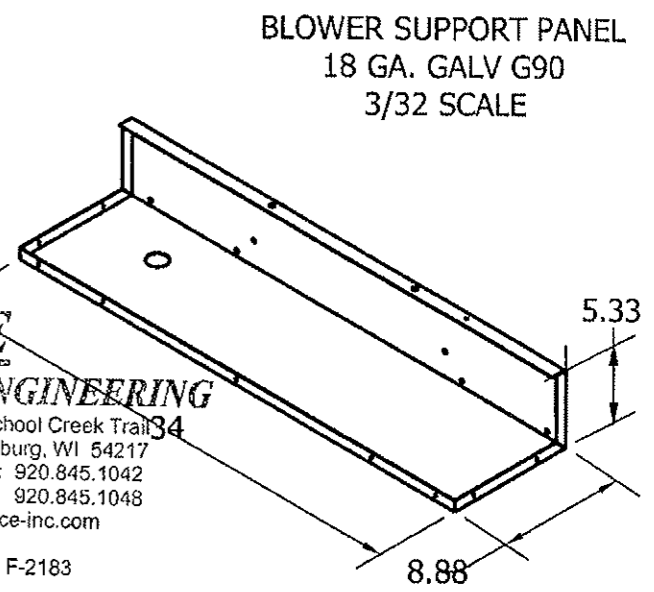
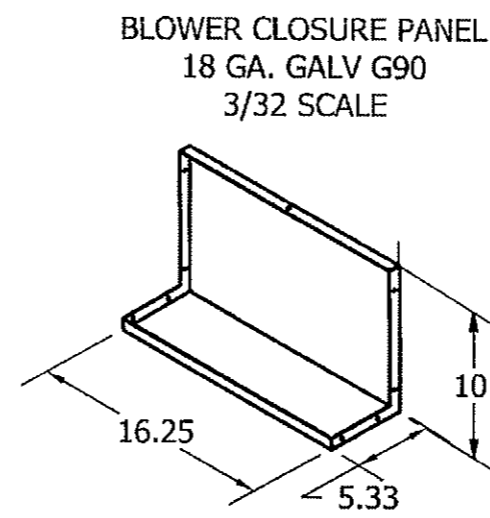
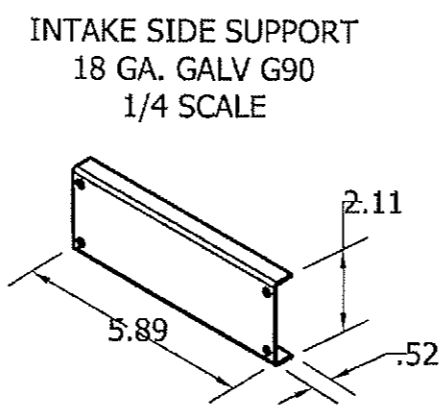
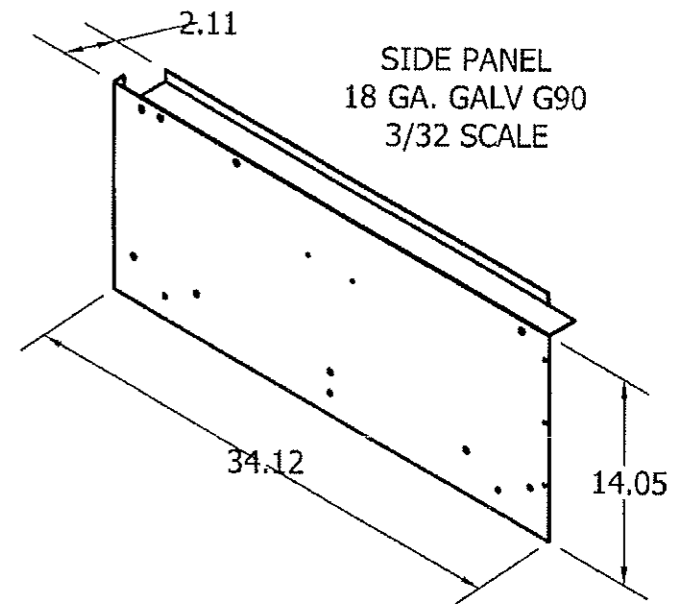
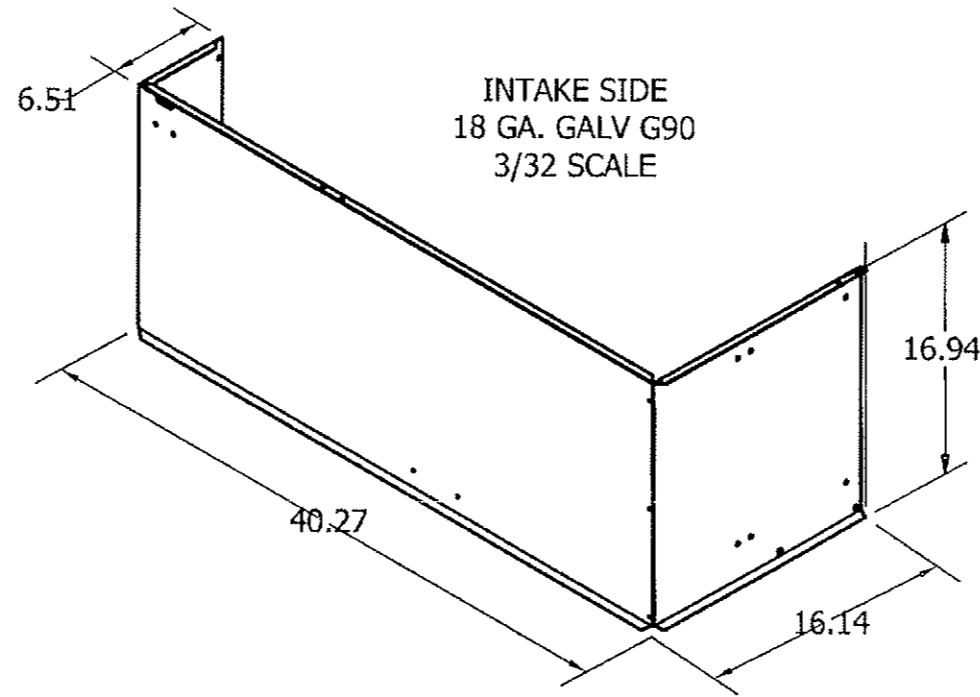
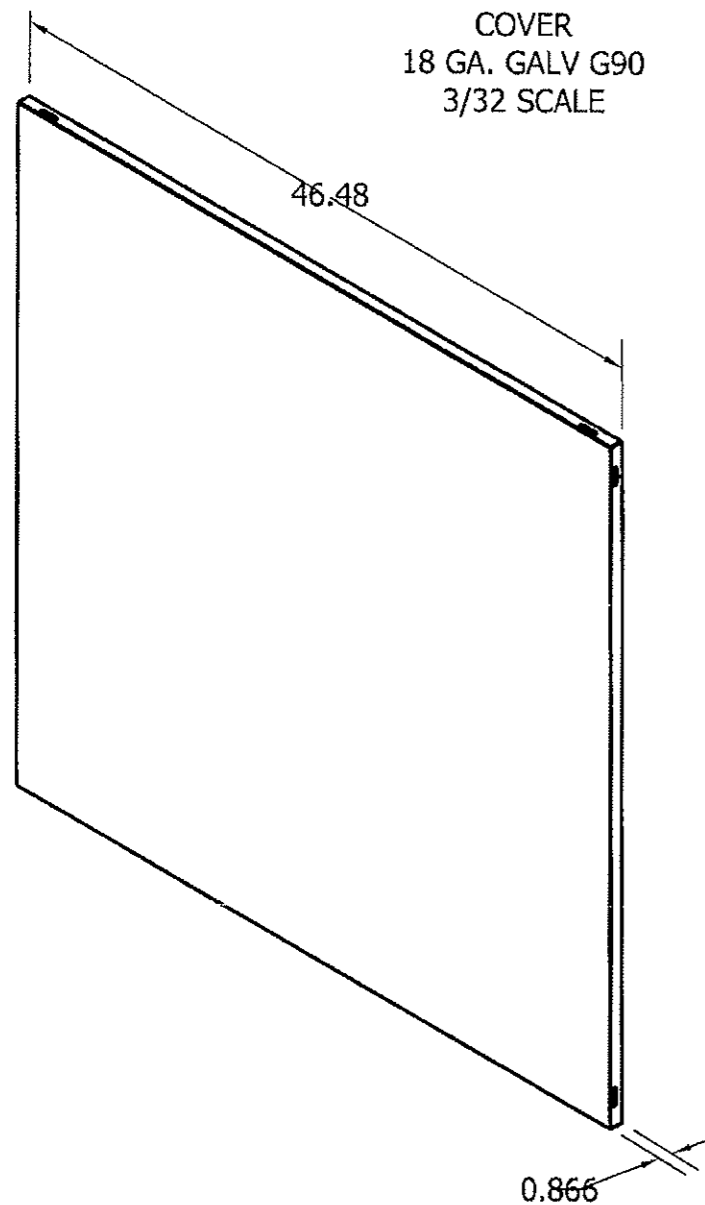
RICE
ENGINEERING

105 School Creek Trail
Luxemburg, WI 54217
Phone: 920.845.1042
Fax: 920.845.1048
www.rice-inc.com

Texas Firm No: F-2183
L. David Rice
Registration No: 81248

JUN 14 2012

 P.O. BOX 410 SCHOFIELD, WISCONSIN 54476-0410	DRAWN BY PFEIFFER	ECO
	DATE 08/18/2009	ENG. REF.
TITLE	SUPERSEDES	SHEET
RSF-120 SHEET 5 OF 15	SCALE	1 OF 1
CAD DRAWING NO.		HCS1005

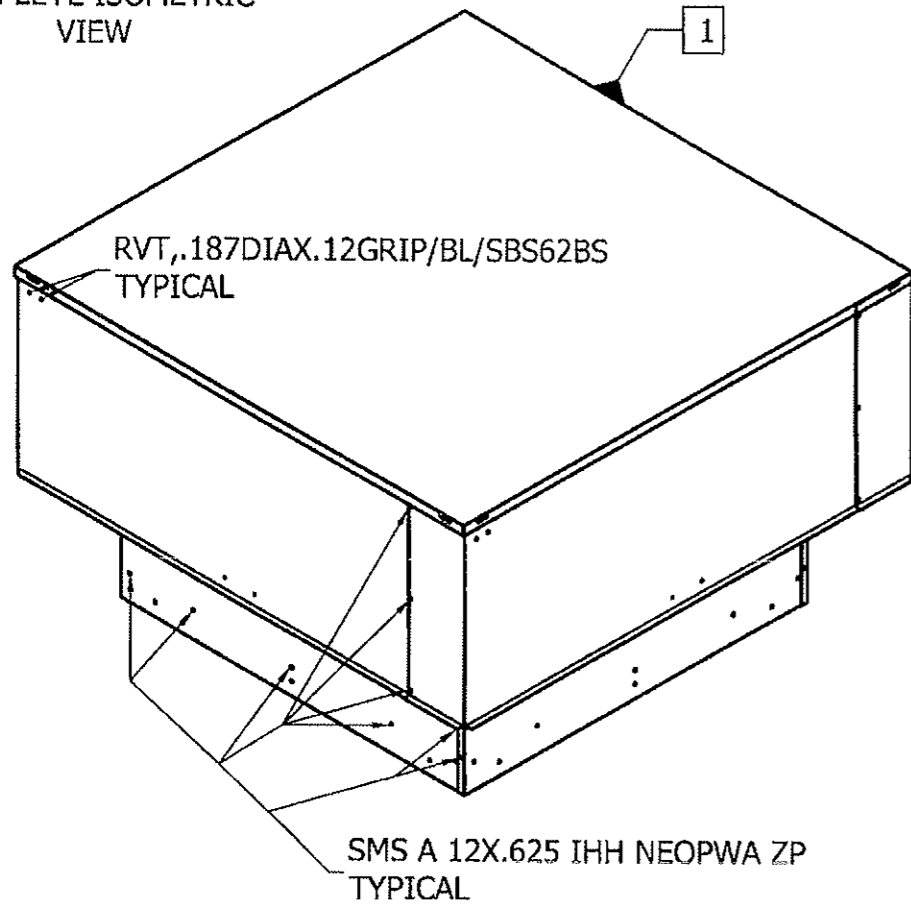


RICE
ENGINEERING
106 School Creek Trail
Luxemburg, WI 54217
Phone: 920.845.1042
Fax: 920.845.1048
www.rice-inc.com
Texas Firm No: F-2183
L. David Rice
Registration No: 81248

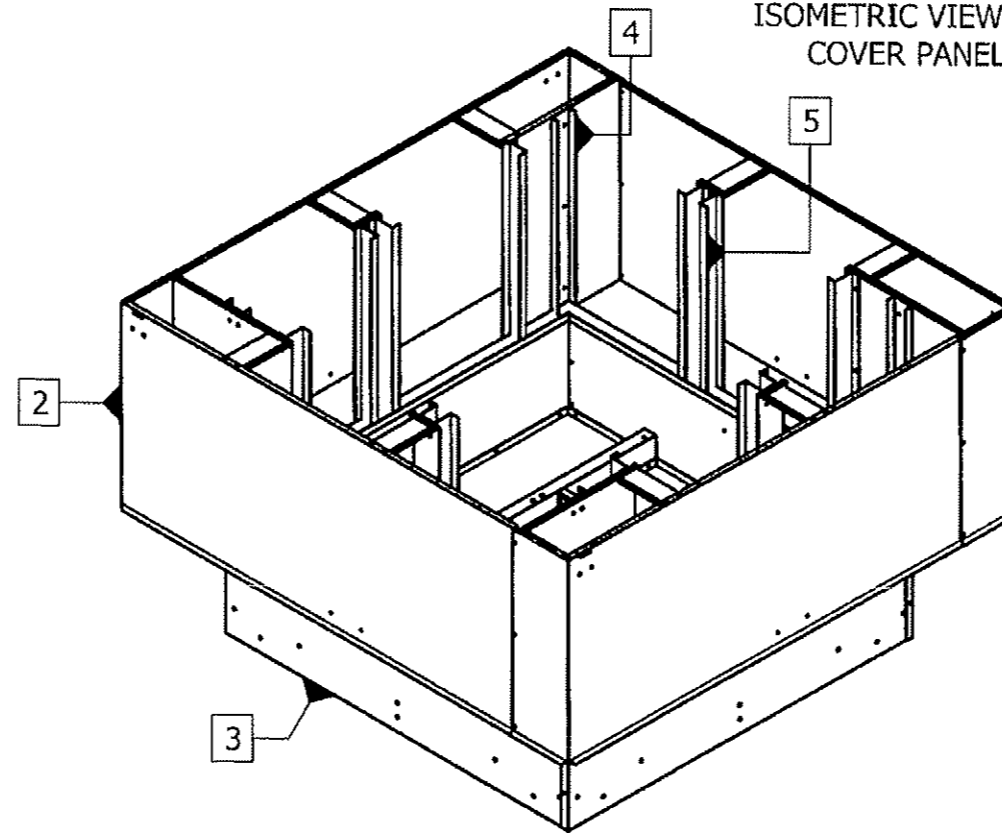
JUN 14 2012

<p>GREENHECK P.O. BOX 410 SCHOFIELD, WISCONSIN 54475-0410</p>	DRAWN BY	ECO
	PFEIFFER	
	DATE	ENG. REF.
	08/18/2009	
	SUPERSEDES	
	SCALE	SHEET
		1 OF 1
RSF-120 SHEET 6 OF 15		CAD DRAWING NO.
		HCS1006

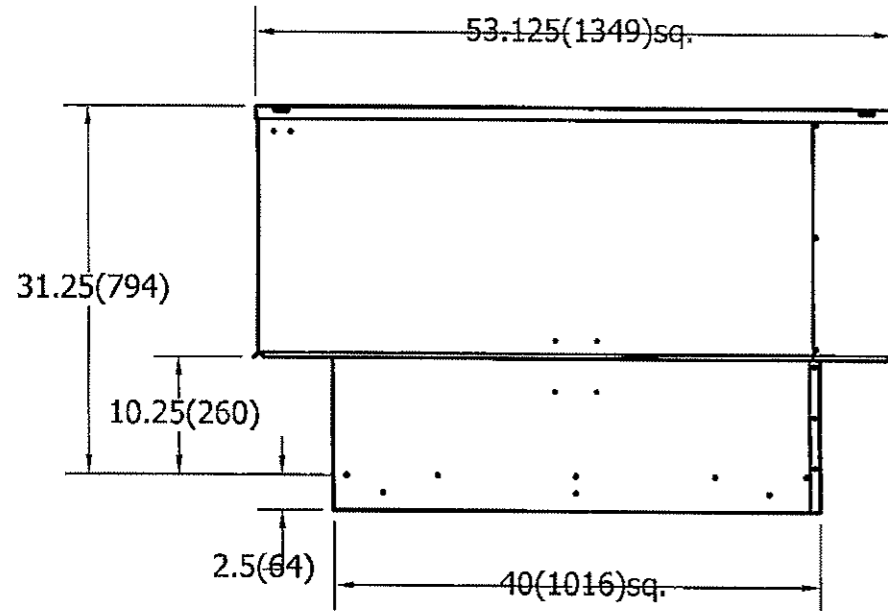
COMPLETE ISOMETRIC VIEW



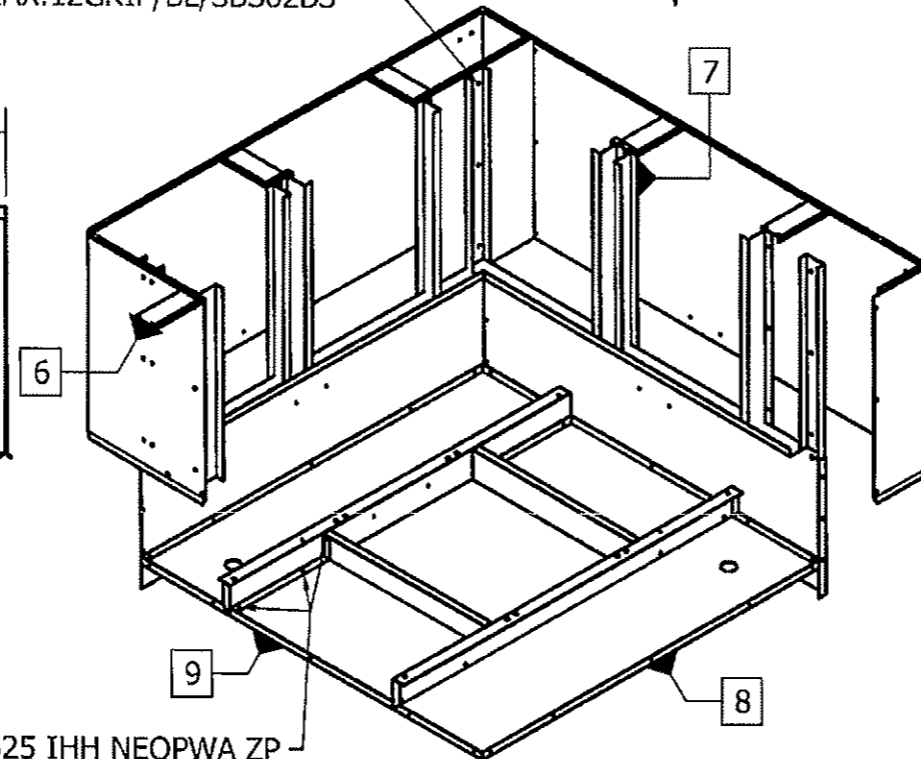
ISOMETRIC VIEW W/O COVER PANELS



ALL INTERIOR PARTS USE RIVET
RVT,.187DIAX.12GRIP/BL/SBS62BS



COMPLETE SIDE VIEW



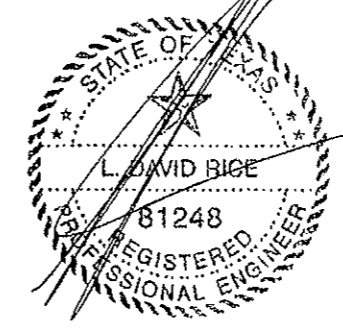
PARTIAL VIEW TO SHOW INSIDE

REVISION	SYM
CREATED HURICANE RATED DRAWING	0

- Notes:
1. MODEL RSF HAS BEEN SUCCESSFULLY TESTED IN ACCORDANCE WITH MIAMI DADE TEST PROTOCOL TAS-201(LARGE MISSILE IMPACT), TAS-202 (STATIC LOADING), AND TAS-203 (CYCLEIC WIND LOADING).
 2. FOOT STRUCTURE MUST BE DESIGNED TO WITHSTAND THE WEIGHT AND LOADING TRANSMITTED BY ROOF TOP FANS. FASTENERS SHALL BE AS SPECIFIED AND INSTALLED AS DETAILED.
 3. DESIGN, TESTING, AND INSTALLATION CONFORMS TO FLORIDA BUILDING CODE.
 4. DESIGN PRESSURE = +/- 100 PSF. LARGE MISSILE IMPACT RESISTANT.
 5. TESTED FOR AREAS INCLUDING HIGH VELOCITY HURRICANE ZONES.
 6. THESE FANS HAVE NOT BEEN TESTED FOR WIND DRIVEN RAIN TEST PER FLORIDA BUILDING CODE, TAS-100 (A)-95.
 7. THIS APPROVAL IS FOR THE STRUCTURAL CAPACITY AND IMPACT RATING OF THE EXTERIOR HOUSING ONLY, IT DOES NOT INCLUDE ANY INTERIOR MECHANISM OR ELECTRICAL PART.
 8. RSF UNIT WEIGHT = 3365lbs.(152kg) - (WEIGHT SHOWN IS LARGEST CATALOGED OPEN DRIP PROFF MOTOR.)

ITEM	QTY	DESCRIPTION
1	1	COVER
2	4	INTAKE SIDE
3	4	SIDE PANEL
4	4	FILTER CHANNEL
5	12	FILTER EDGE CHANNEL
6	8	INTAKE SIDE SUPPORT
7	4	FILTER CHANNEL SUPPORT
8	2	BLOWER SUPPORT PANEL
9	2	BLOWER CLOSURE PANEL

ALL DIMENSIONS ARE IN INCHES (MILLIMETERS)

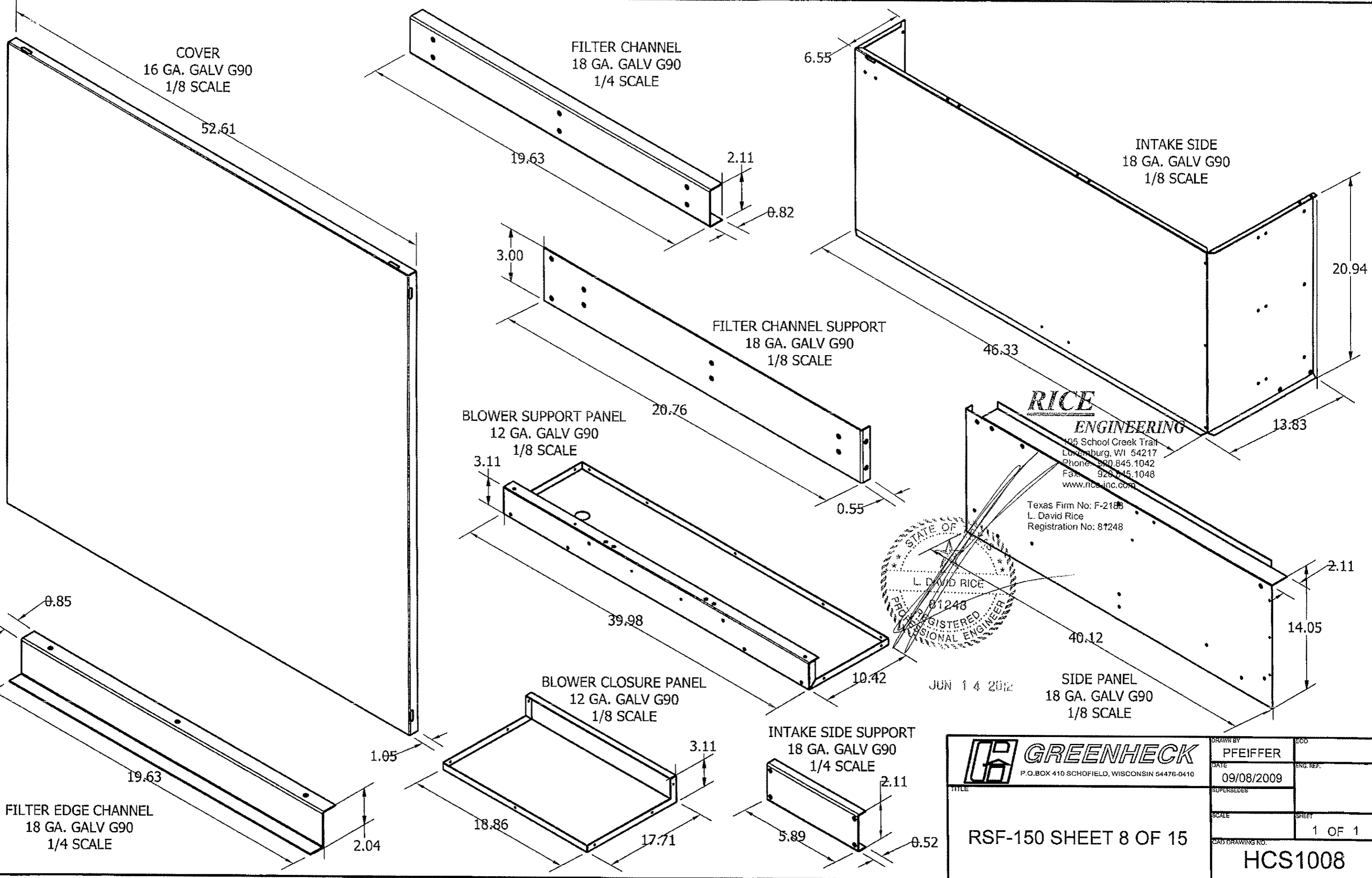


RICE
ENGINEERING
105 School Creek Trail
Luxemburg, WI 54217
Phone: 920.845.1042
Fax: 920.845.1048
www.rice-inc.com

Texas Firm No: F-2183
L. David Rice
Registration No: 81248

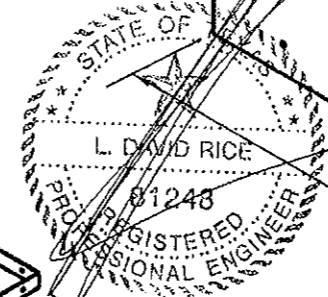
JUN 14 2012

 P.O. BOX 410 SCHOFIELD, WISCONSIN 54476-0410	DRAWN BY	ECO
	PFEIFFER	
	DATE	SIG. REF.
	09/08/2009	
	SUPERSEDES	
	SCALE	SHEET
		1 OF 1
RSF-150 SHEET 7 OF 15		CAD DRAWING NO.
		HCS1007



RICE
ENGINEERING
105 School Creek Trail
Lomburg, WI 54217
Phone: 920.845.1042
Fax: 920.845.1048
www.rice-inc.com

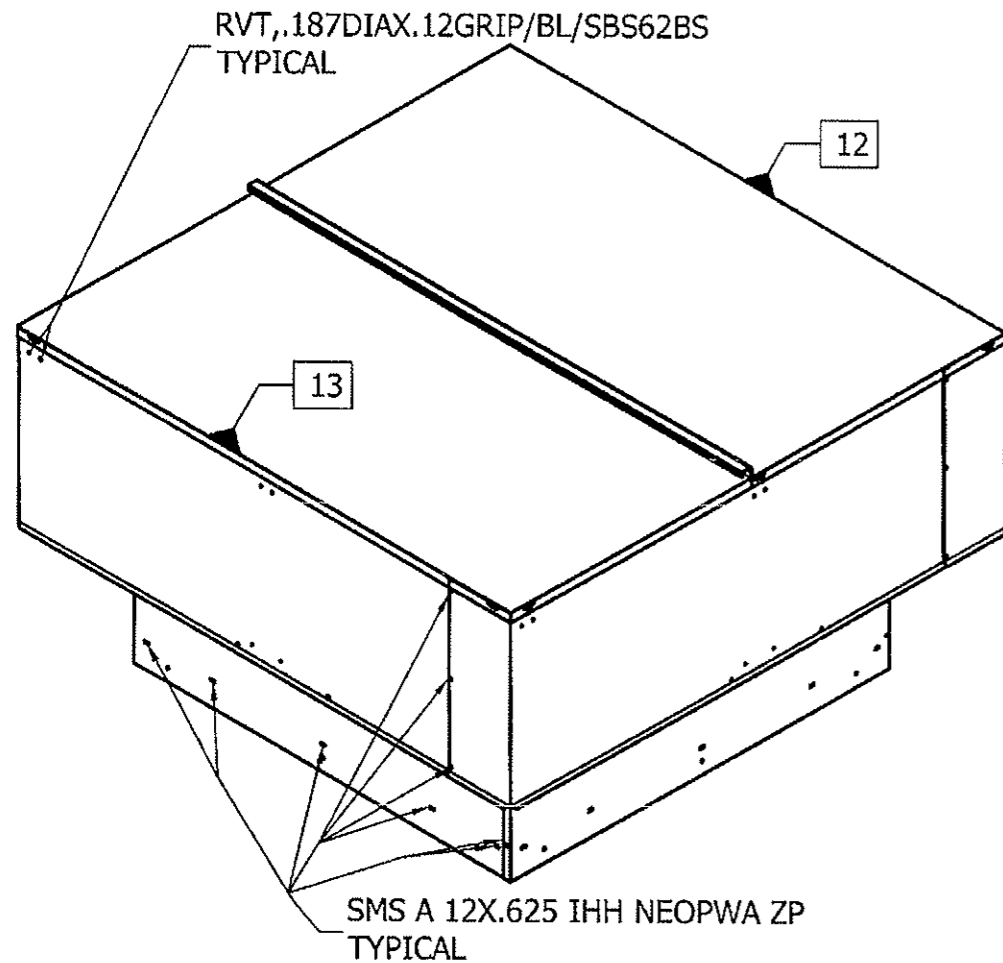
Texas Firm No: F-2188
L. David Rice
Registration No: 81248



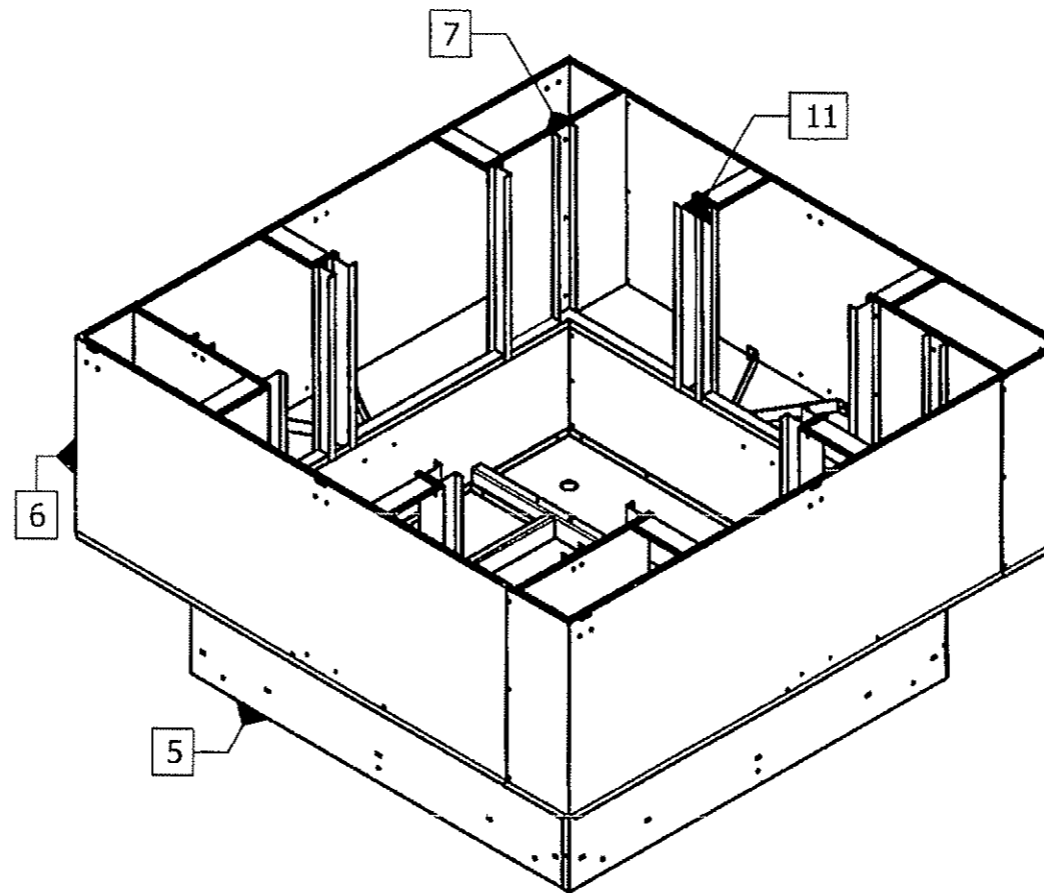
JUN 14 2012

 P.O. BOX 410 SCHOFIELD, WISCONSIN 54478-0410	DRAWN BY PFEIFFER	ECO
	DATE 09/08/2009	ENG. REF.
TITLE RSF-150 SHEET 8 OF 15	SUPERSEDES	SHEET 1 OF 1
	SCALE	CAD DRAWING NO. HCS1008

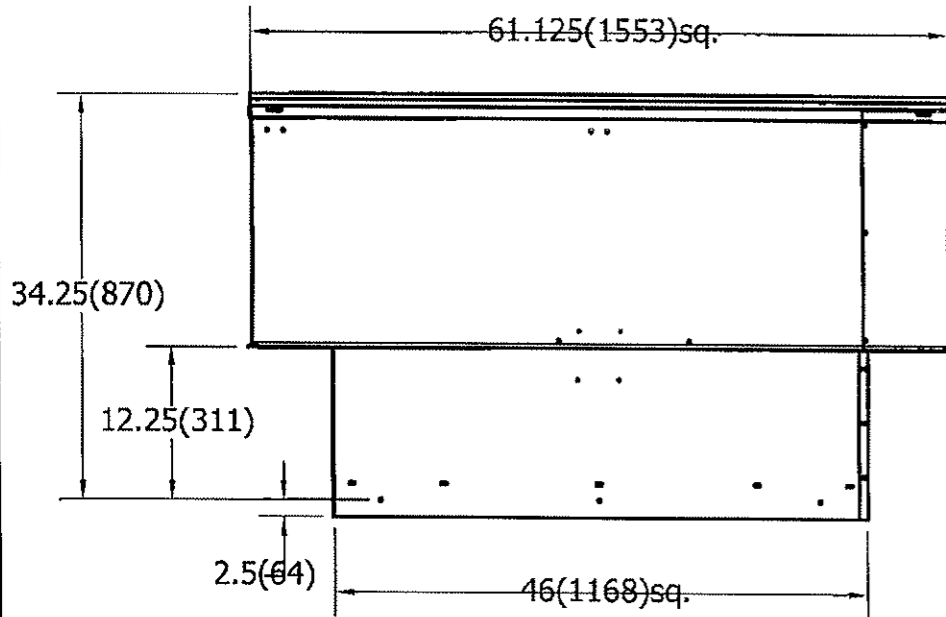
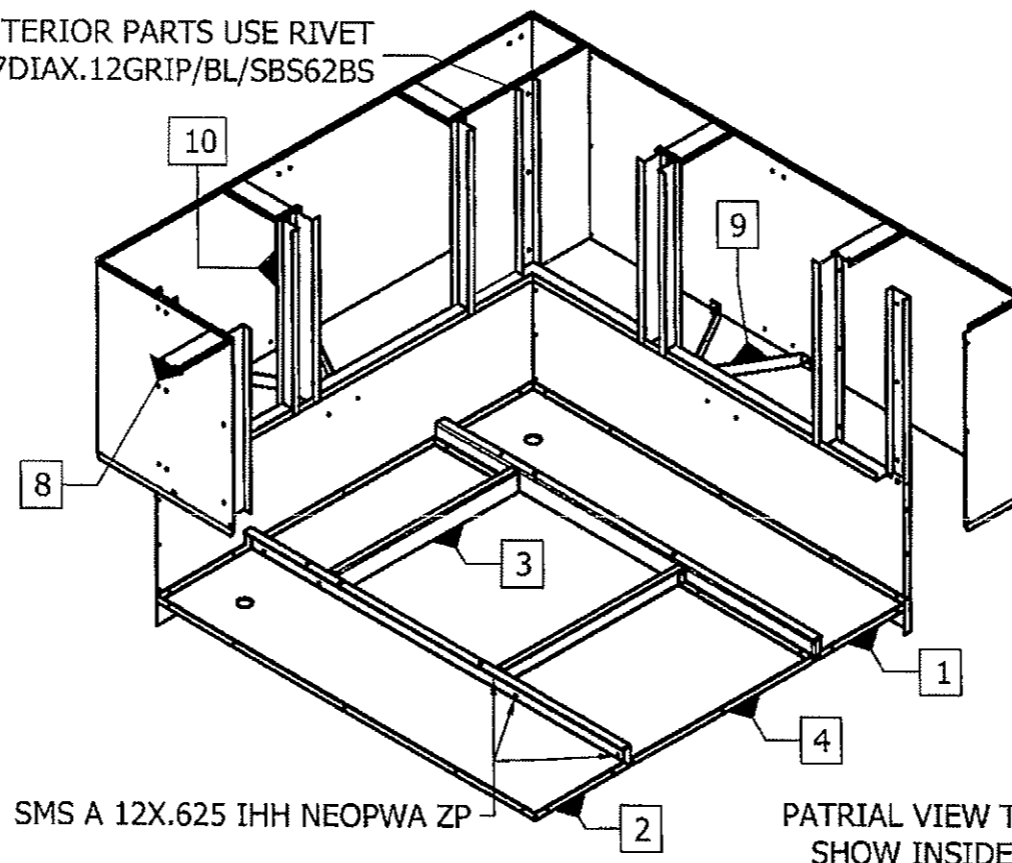
COMPLETE ISOMETRIC VIEW



ISOMETRIC VIEW W/O COVER PANELS



ALL INTERIOR PARTS USE RIVET RVT, .187DIA X .12GRIP/BL/SBS62BS



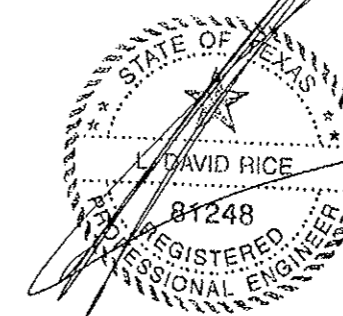
COMPLETE SIDE VIEW

REVISION	SYM
CREATED HURICANE RATED DRAWING	0

- Notes:
1. MODEL RSF HAS BEEN SUCCESSFULLY TESTED IN ACCORDANCE WITH MIAMI DADE TEST PROTOCOL TAS-201(LARGE MISSILE IMPACT), TAS-202 (STATIC LOADING), AND TAS-203 (CYCLEIC WIND LOADING).
 2. FOOT STRUCTURE MUST BE DESIGNED TO WITHSTAND THE WEIGHT AND LOADING TRANSMITTED BY ROOF TOP FANS. FASTENERS SHALL BE AS SPECIFIED AND INSTALLED AS DETAILED.
 3. DESIGN, TESTING, AND INSTALLATION CONFORMS TO FLORIDA BUILDING CODE.
 4. DESIGN PRESSURE = +/- 100 PSF. LARGE MISSILE IMPACT RESISTANT.
 5. TESTED FOR AREAS INCLUDING HIGH VELOCITY HURRICANE ZONES.
 6. THESE FANS HAVE NOT BEEN TESTED FOR WIND DRIVEN RAIN TEST PER FLORIDA BUILDING CODE, TAS-100 (A)-95.
 7. THIS APPROVAL IS FOR THE STRUCTURAL CAPACITY AND IMPACT RATING OF THE EXTERIOR HOUSING ONLY, IT DOES NOT INCLUDE ANY INTERIOR MECHANISM OR ELECTRICAL PART.
 8. RSF UNIT WEIGHT = 400lbs.(181kg) - (WEIGHT SHOWN IS LARGEST CATALOGED OPEN DRIP PROFF MOTOR.)

ITEM	QTY	DESCRIPTION
1	1	BLOWER SUPPORT PANEL - RIGHT
2	1	BLOWER SUPPORT PANEL - LEFT
3	1	BLOWER CLOSURE PANEL - RIGHT
4	1	BLOWER CLOSURE PANEL - LEFT
5	4	SIDE PANEL
6	4	INTAKE SIDE
7	4	FILTER CHANNEL
8	8	INTAKE SIDE SUPPORT
9	4	INTAKE SIDE BRACE
10	4	FILTER CHANNEL SUPPORT
11	12	FILTER EDGE CHANNEL
12	1	COVER PANEL - A
13	1	COVER PANEL - B

ALL DIMENSIONS ARE IN INCHES (MILLIMETERS)



RICE
ENGINEERING

105 School Creek Trail
Luxemburg, WI 54217
Phone: 920.845.1042
Fax: 920.845.1048
www.rice-inc.com

Texas Firm No: F-2183
L. David Rice
Registration No: 81248

JUN 14 2012

 P.O. BOX 410 SCHOFIELD, WISCONSIN 54476-0410	DRAWN BY PFEIFFER	ECO
	DATE 09/14/2009	ENG. REF.
TITLE	SUPERSEDES	SHEET
SCALE	1 OF 1	
RSF-180 SHEET 9 OF 15		CAD DRAWING NO. HCS1009

COVER PANEL "A"
18 GA. GALV G90
1/8 SCALE

60.48

32.35

60.48

29.23

COVER PANEL "B"
18 GA. GALV G90
1/8 SCALE

BLOWER SUPPORT PANEL - RIGHT
12 GA. GALV G90
1/8 SCALE

2.35

46.12

11.87

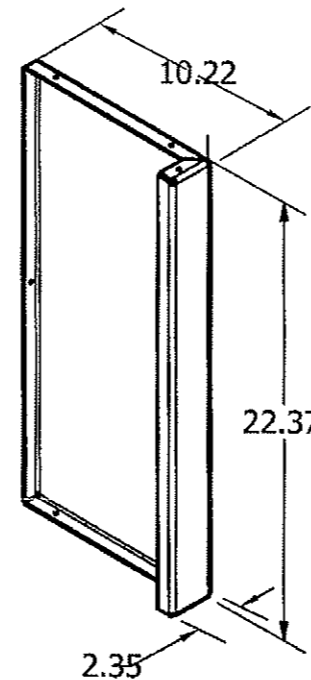
2.35

BLOWER CLOSURE PANEL - LEFT
12 GA. GALV G90
1/8 SCALE

2.35

46.12

11.87



BLOWER CLOSURE PANEL - RIGHT
12 GA. GALV G90
1/8 SCALE

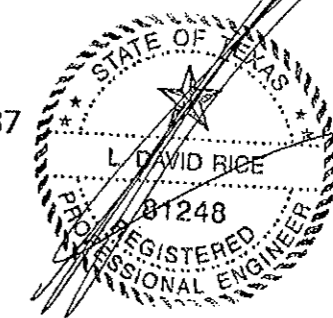
2.35

10.22

22.37

16.52

BLOWER SUPPORT PANEL - LEFT
12 GA. GALV G90
1/8 SCALE




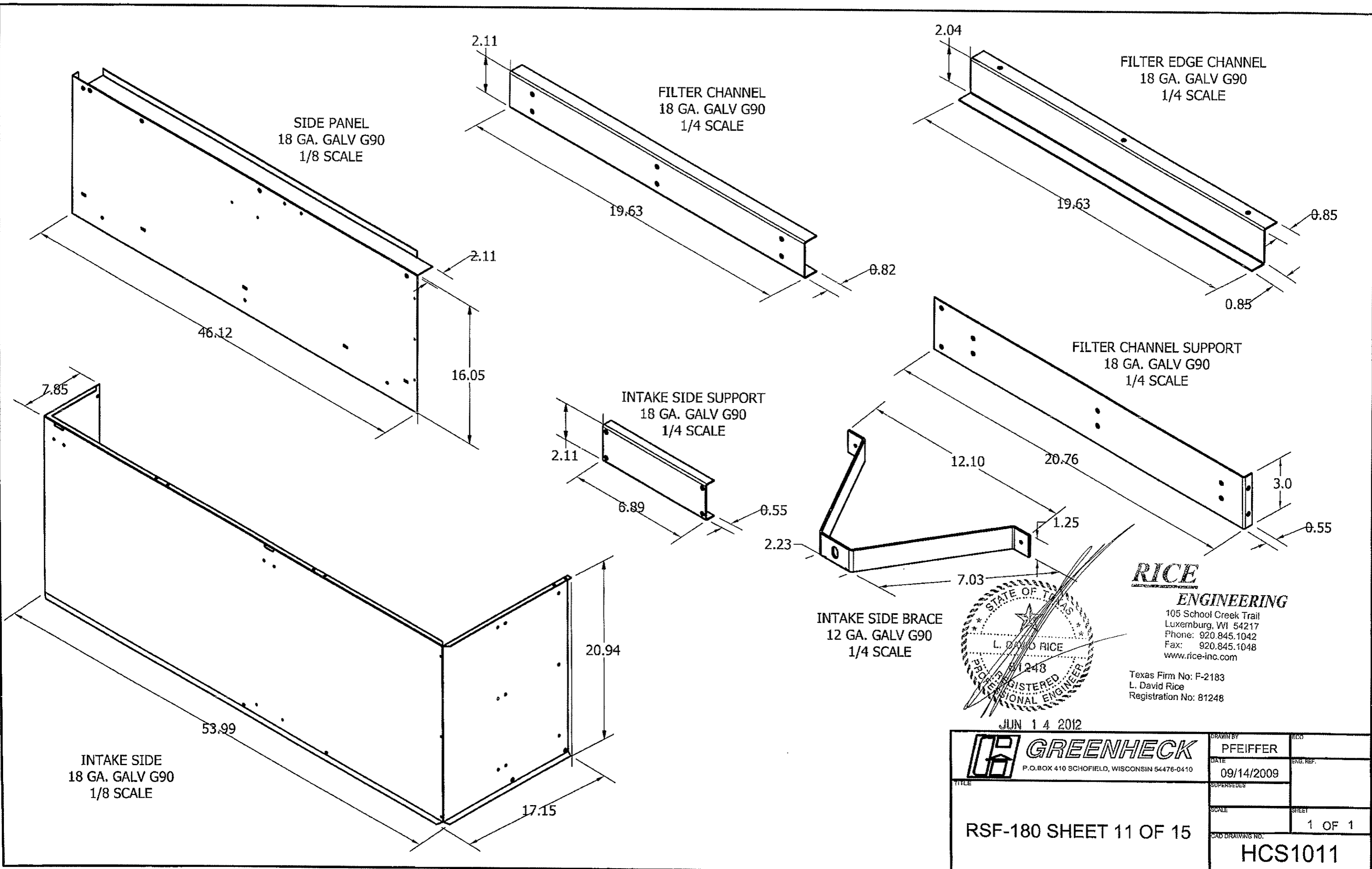
JUN 14 2012

RICE
ENGINEERING

105 School Creek Trail
Luxemburg, WI 54217
Phone: 920.845.1042
Fax: 920.845.1048
www.rice-inc.com

Texas Firm No: F-2183
L. David Rice
Registration No: 81248

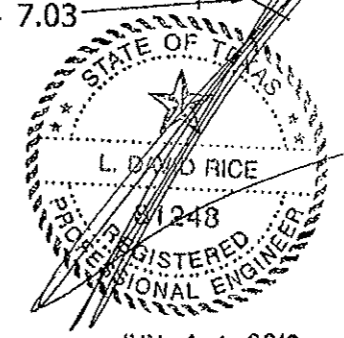
 P.O. BOX 410 SCHOFIELD, WISCONSIN 54478-0410	DRAWN BY PFEIFFER	ECO
	DATE 09/14/2009	SWG REF.
	SUPERSEDES	SHEET 1 OF 1
	SCALE	CAD DRAWING NO. HCS1010
TITLE RSF-180 SHEET 10 OF 15		




RICE
ENGINEERING

105 School Creek Trail
Luxemburg, WI 54217
Phone: 920.845.1042
Fax: 920.845.1048
www.rice-inc.com

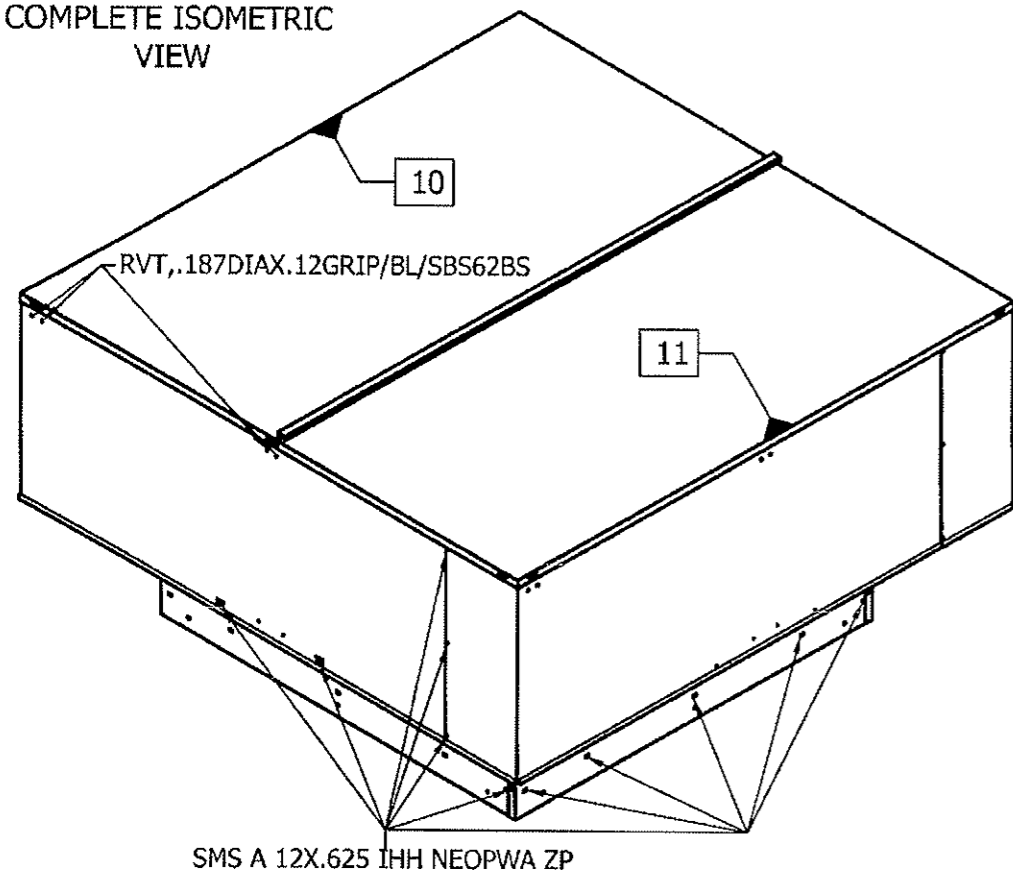
Texas Firm No: F-2183
L. David Rice
Registration No: 81248



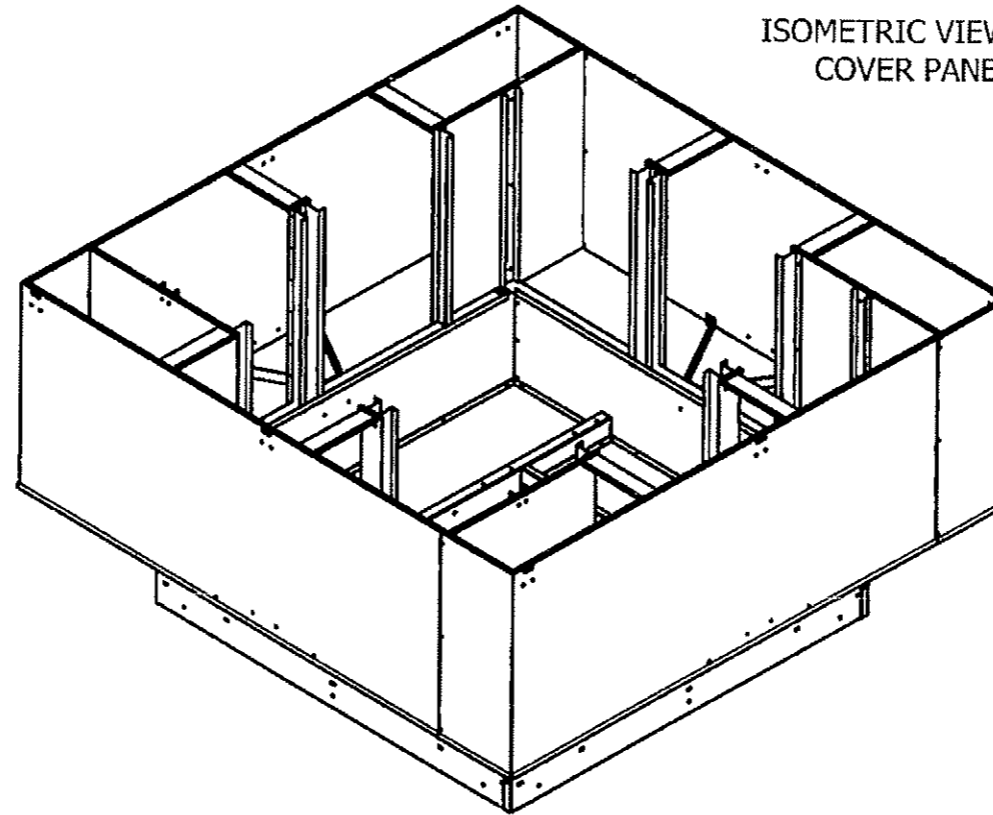
JUN 14 2012

 P.O. BOX 410 SCHOFIELD, WISCONSIN 54476-0410	DRAWN BY PFEIFFER	ECO
	DATE 09/14/2009	ENG. REF.
	SUPERSEDES	
	SCALE	SHEET 1 OF 1
RSF-180 SHEET 11 OF 15		CAD DRAWING NO. HCS1011

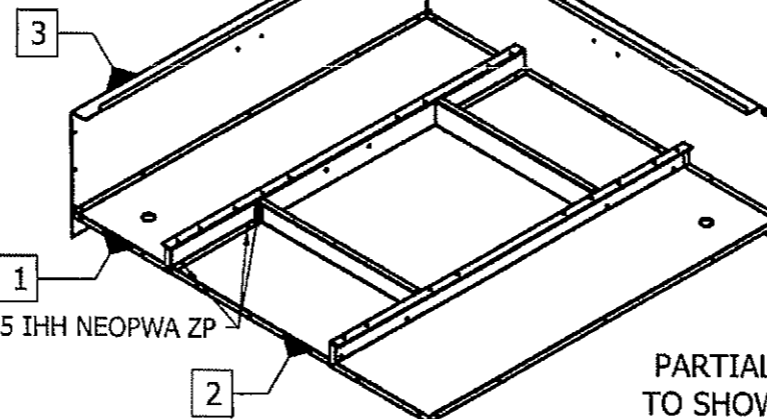
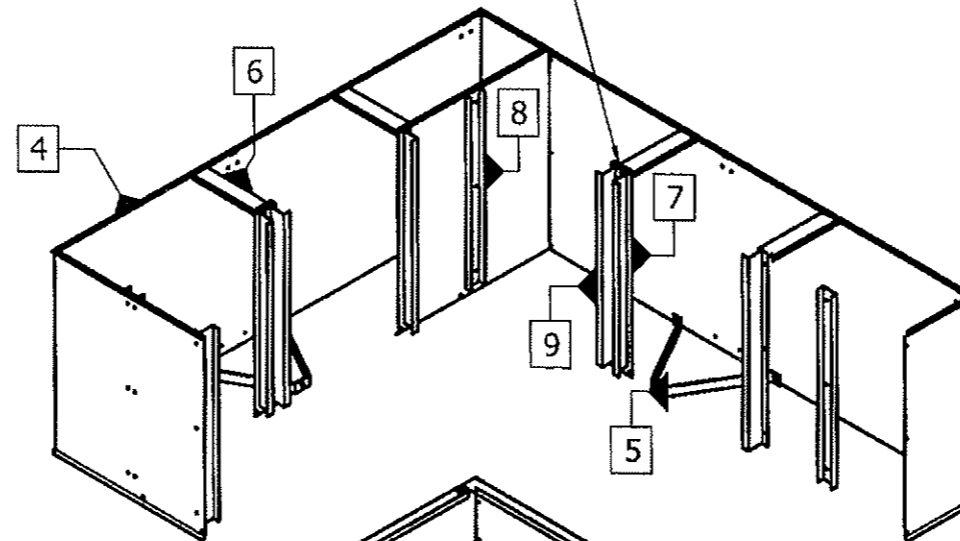
COMPLETE ISOMETRIC VIEW



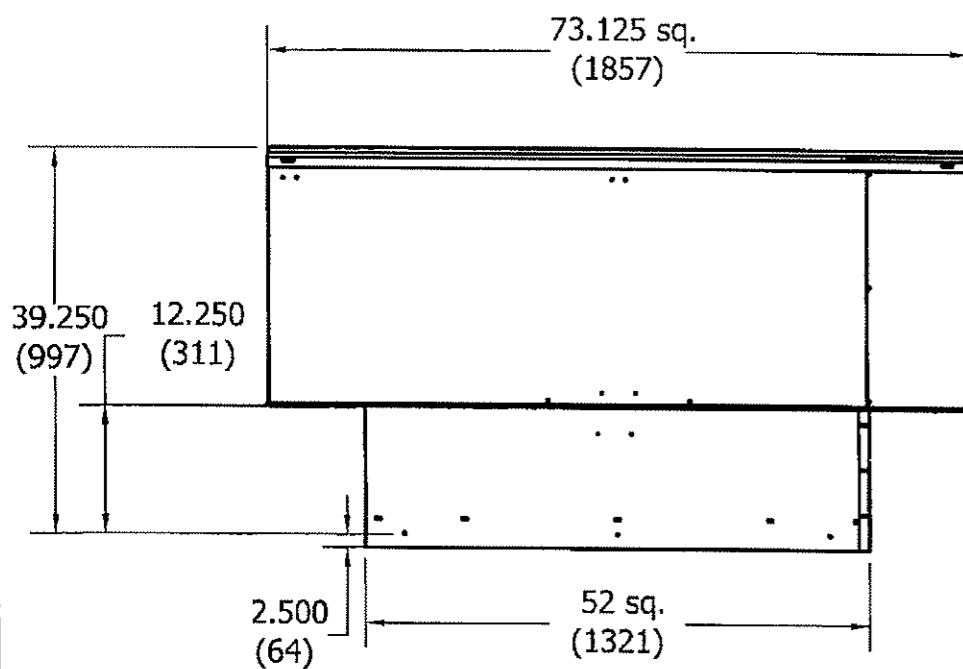
ISOMETRIC VIEW W/O COVER PANELS



ALL INTERIOR PARTS USE RIVET
RVT,.187DIAx.12GRIP/BL/SBS62BS



PARTIAL VIEWS
TO SHOW INSIDE



COMPLETE SIDE VIEW

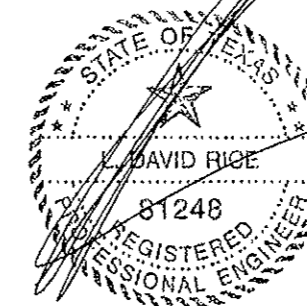
REVISION	SYM
CREATED HURICANE RATED DRAWING	0

Notes:

1. MODEL RSF HAS BEEN SUCCESSFULLY TESTED IN ACCORDANCE WITH MIAMI DADE TEST PROTOCOL TAS-201 (LARGE MISSILE IMPACT), TAS-202 (STATIC LOADING), AND TAS-203 (CYCLEIC WIND LOADING).
2. FOOT STRUCTURE MUST BE DESIGNED TO WITHSTAND THE WEIGHT AND LOADING TRANSMITTED BY ROOF TOP FANS. FASTENERS SHALL BE AS SPECIFIED AND INSTALLED AS DETAILED.
3. DESIGN, TESTING, AND INSTALLATION CONFORMS TO FLORIDA BUILDING CODE.
4. DESIGN PRESSURE = +/- 100 PSF. LARGE MISSILE IMPACT RESISTANT.
5. TESTED FOR AREAS INCLUDING HIGH VELOCITY HURRICANE ZONES.
6. THESE FANS HAVE NOT BEEN TESTED FOR WIND DRIVEN RAIN TEST PER FLORIDA BUILDING CODE, TAS-100 (A)-95.
7. THIS APPROVAL IS FOR THE STRUCTURAL CAPACITY AND IMPACT RATING OF THE EXTERIOR HOUSING ONLY, IT DOES NOT INCLUDE ANY INTERIOR MECHANISM OR ELECTRICAL PART.
8. RSF UNIT WEIGHT = 620lbs.(281kg) - (WEIGHT SHOWN IS LARGEST CATALOGED OPEN DRIP PROFF MOTOR.)

ITEM	QTY	DESCRIPTION
1	2	BLOWER SUPPORT PANEL
2	2	BLOWER CLOSURE PANEL
3	4	SIDE PANEL
4	4	INTAKE SIDE
5	4	INTAKE SIDE BRACE
6	8	INTAKE SIDE SUPPORT
7	4	FILTER CHANNEL SUPPORT
8	4	FILTER CHANNEL
9	12	FILTER EDGE CHANNEL
10	1	COVER PANEL PART A
11	1	COVER PANEL PART B

ALL DIMENSIONS ARE IN INCHES (MILLIMETERS)



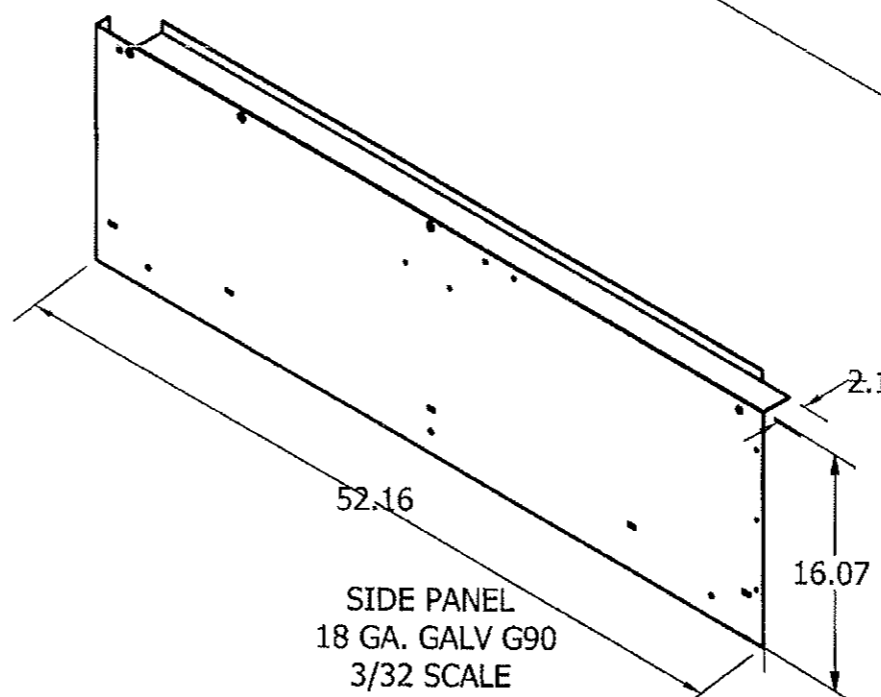
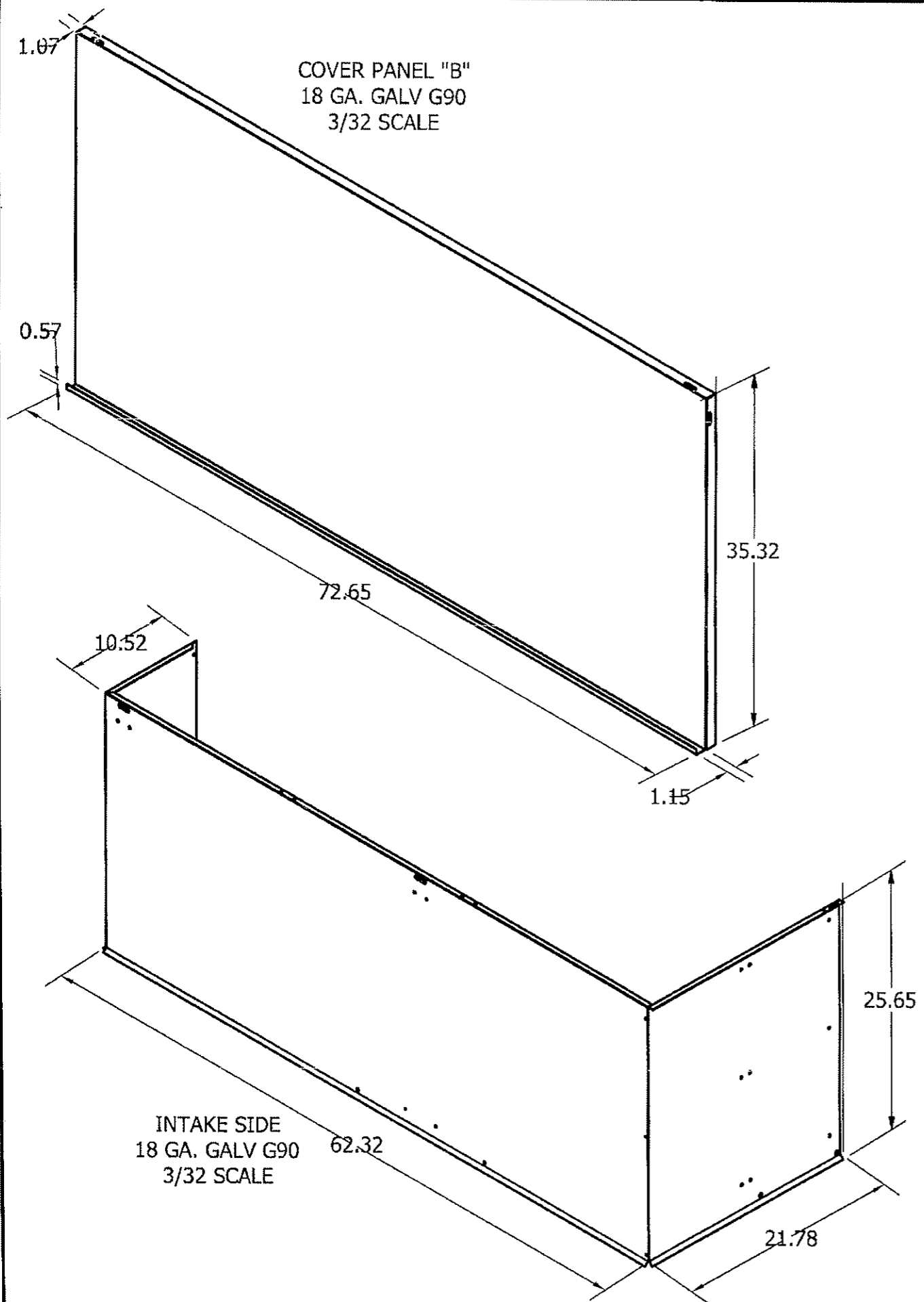
RICE
ENGINEERING

105 School Creek Trail
Luxemburg, WI 54217
Phone: 920.845.1042
Fax: 920.845.1048
www.rice-inc.com

Texas Firm No: F-2183
L. David Rice
Registration No: 81248

JUN 14 2012

 P.O. BOX 410 SCHOFIELD, WISCONSIN 54478-0410	DRAWN BY PFEIFFER	ECO
	DATE 06/05/2009	ENGR. REF.
	SUPERSEDES	
	SCALE	SHEET 1 OF 1
TITLE RSF-200 SHEET 12 OF 15		CAD DRAWING NO. HCS1012

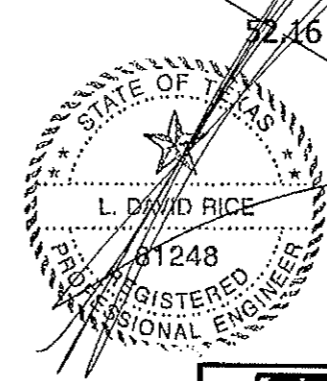
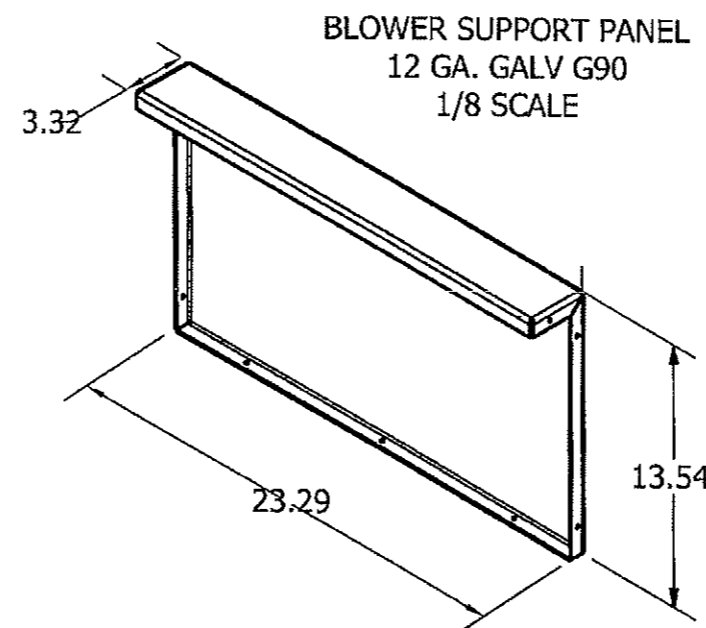
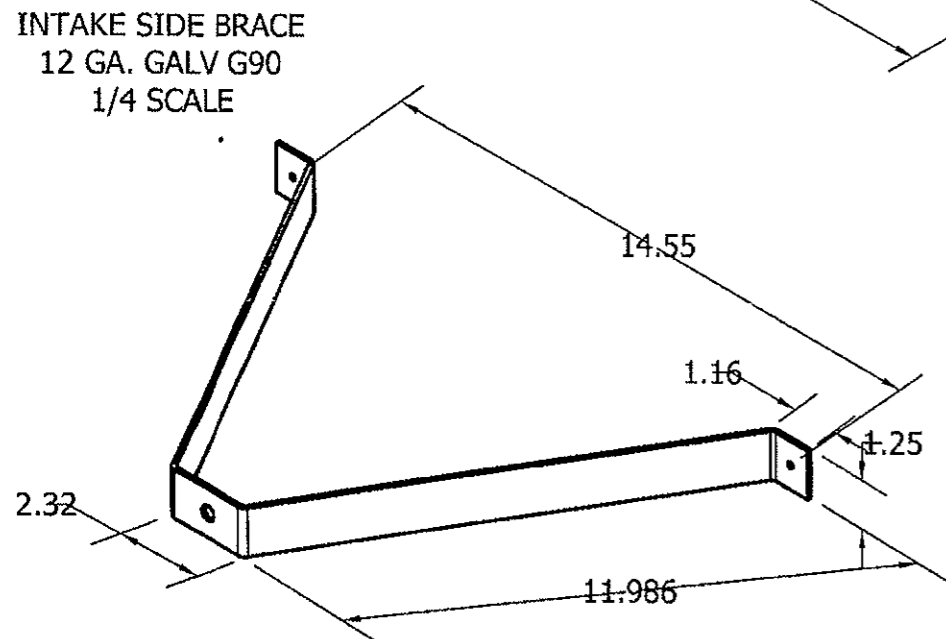
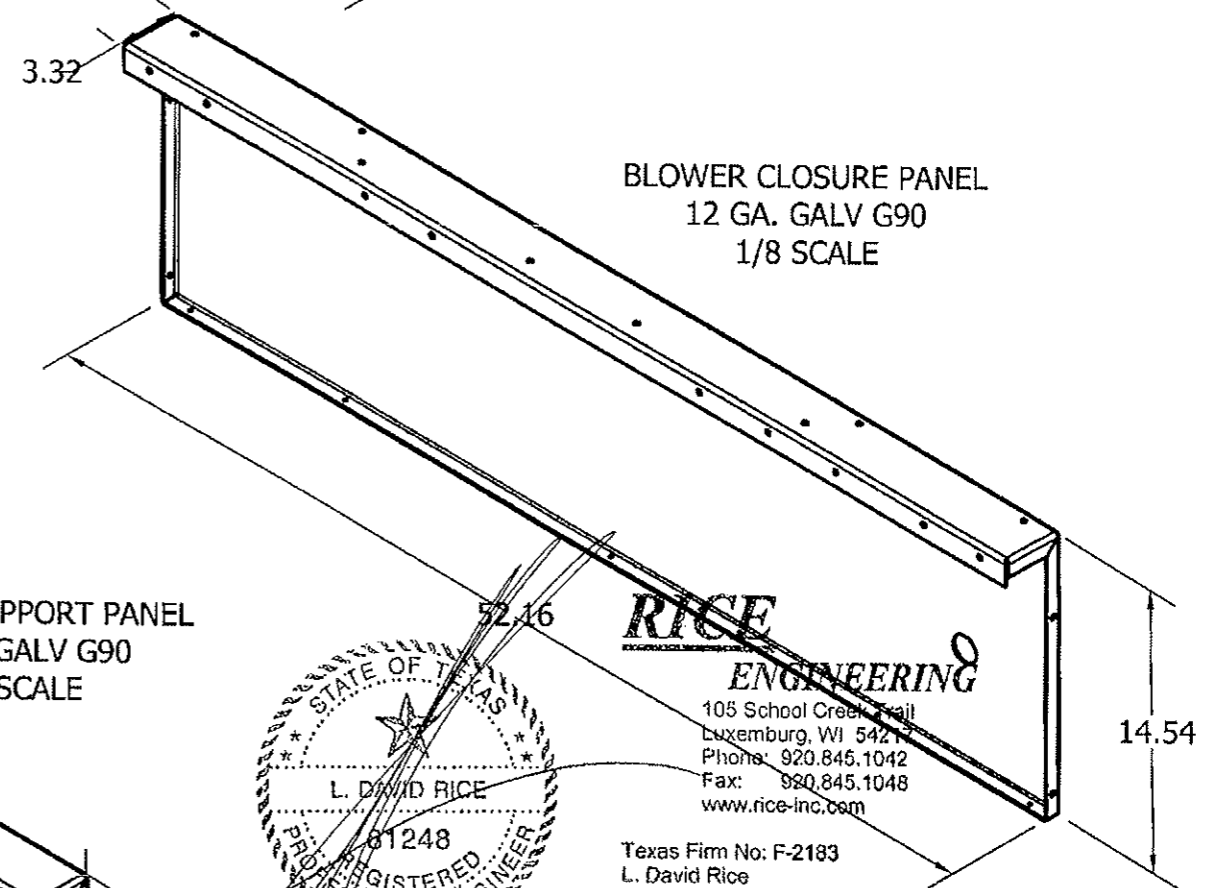
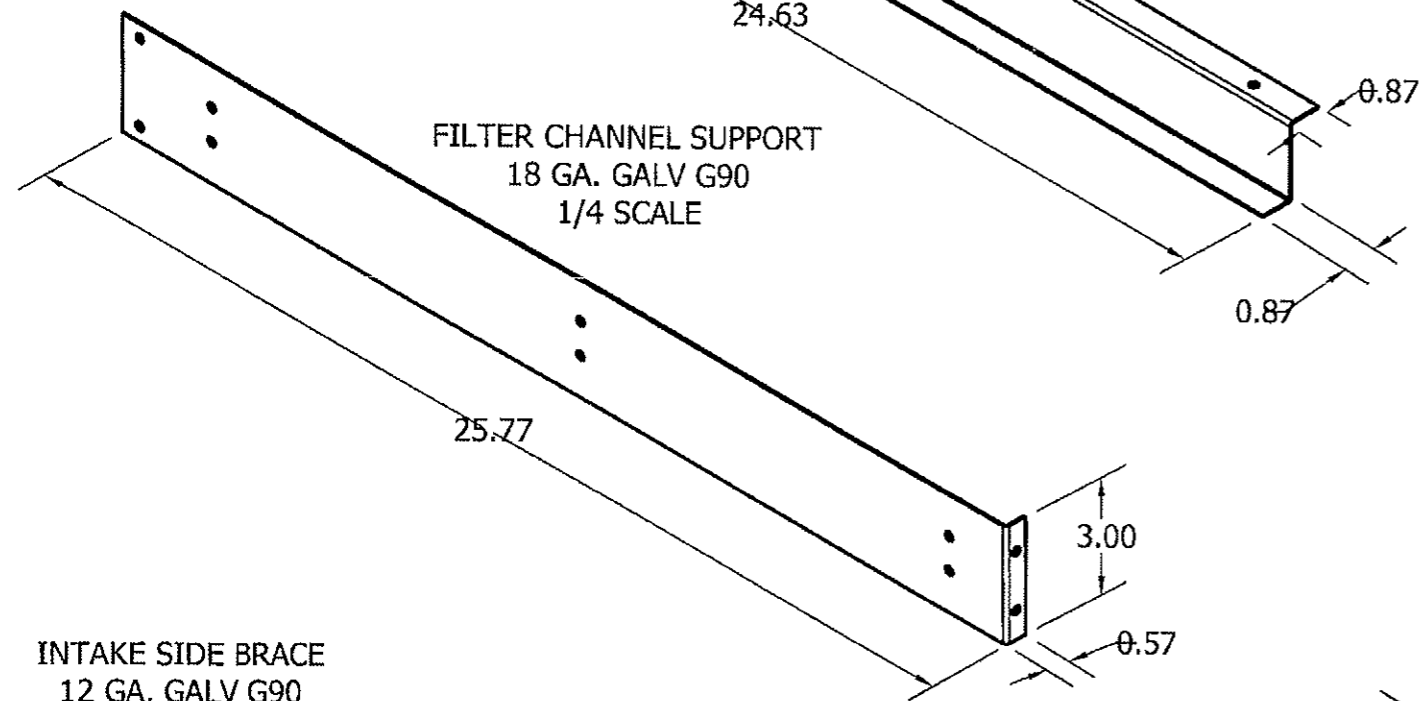
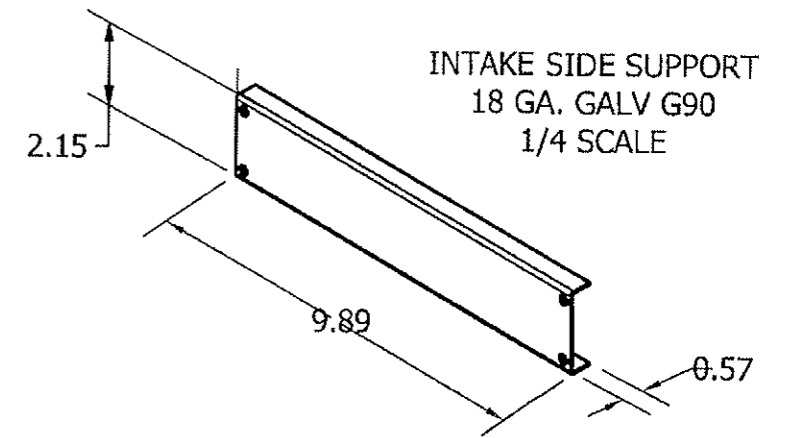
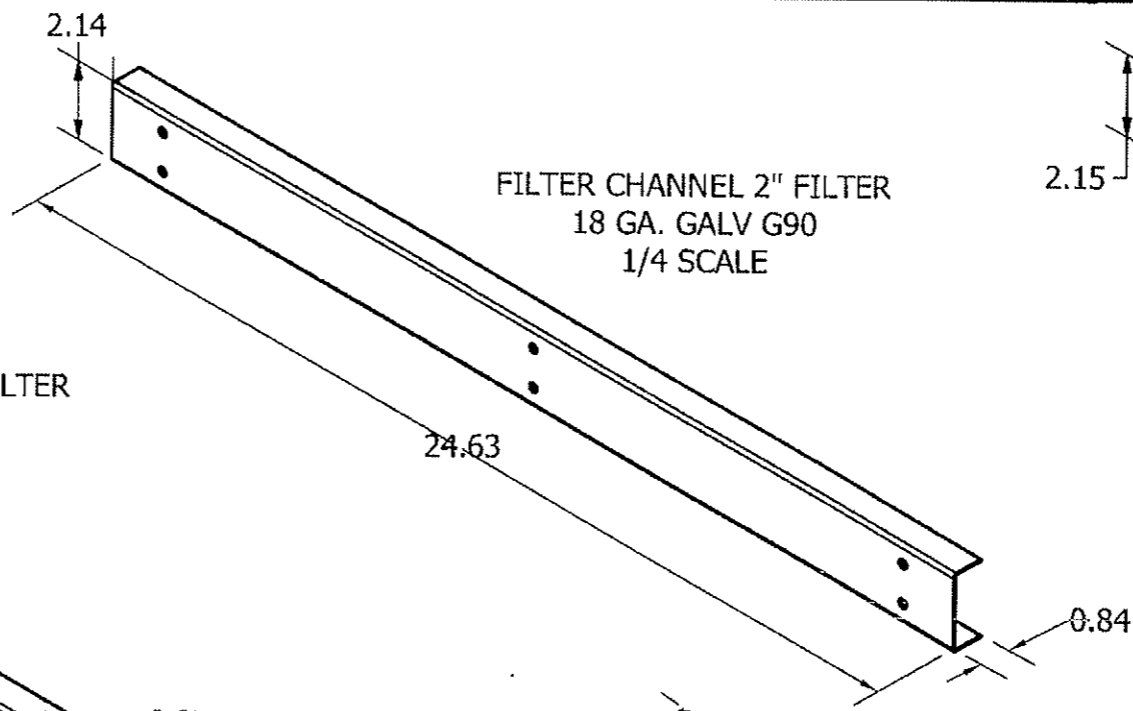
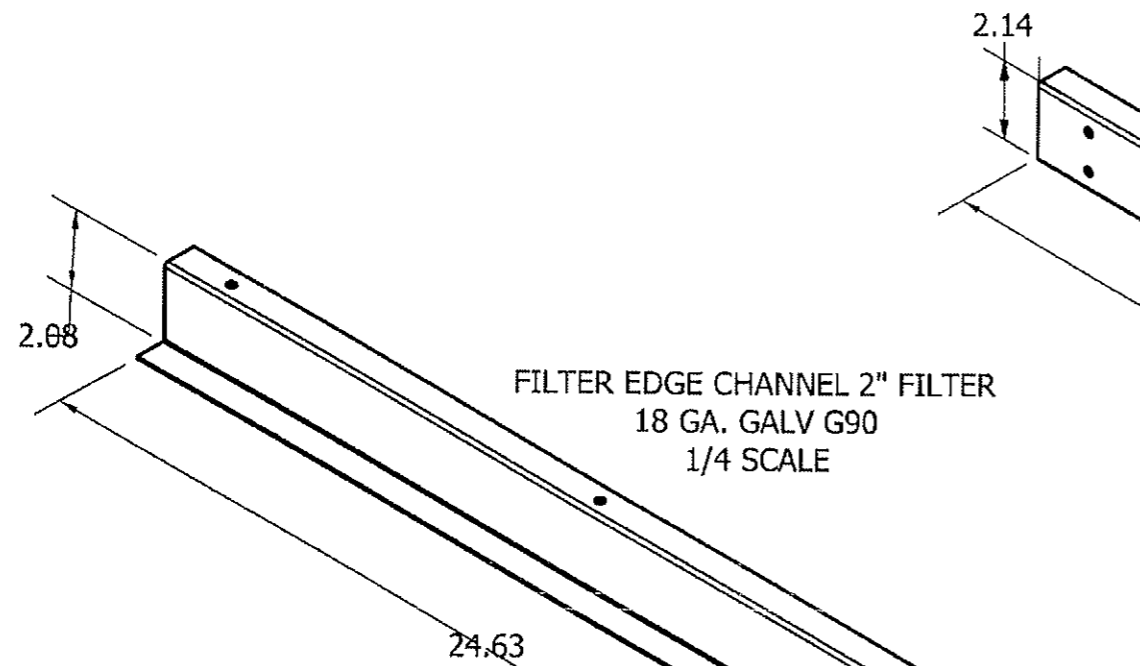


RICE ENGINEERING
105 School Creek Trail
Luxemburg, WI 54217
Phone: 920.845.1042
Fax: 920.845.1048
www.rice-inc.com

Texas Firm No: F-2183
L. David Rice
Registration No: 81248

JUN 14 2012

 P.O. BOX 410 SCHOFIELD, WISCONSIN 54476-0410	DRAWN BY	PFEIFFER	EDD
	DATE	06/15/2009	ENG. REF.
TITLE RSF-200 SHEET 13 OF 15	SUPERSEDES		
	SCALE		SHEET 1 OF 1
CAD DRAWING NO.		HCS1013	



RICE ENGINEERING

105 School Creek Trail
Luxemburg, WI 54217
Phone: 920.845.1042
Fax: 920.845.1048
www.rice-inc.com

Texas Firm No: F-2183
L. David Rice
Registration No: 81248

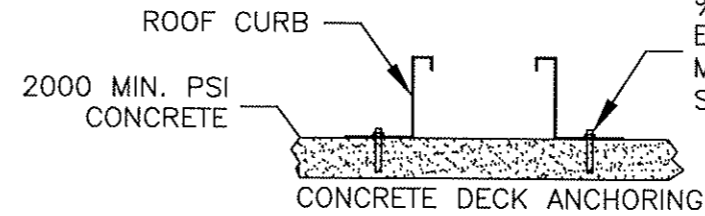
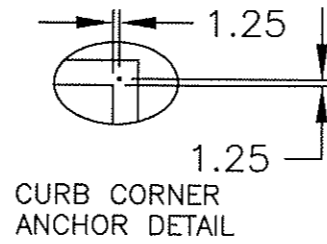
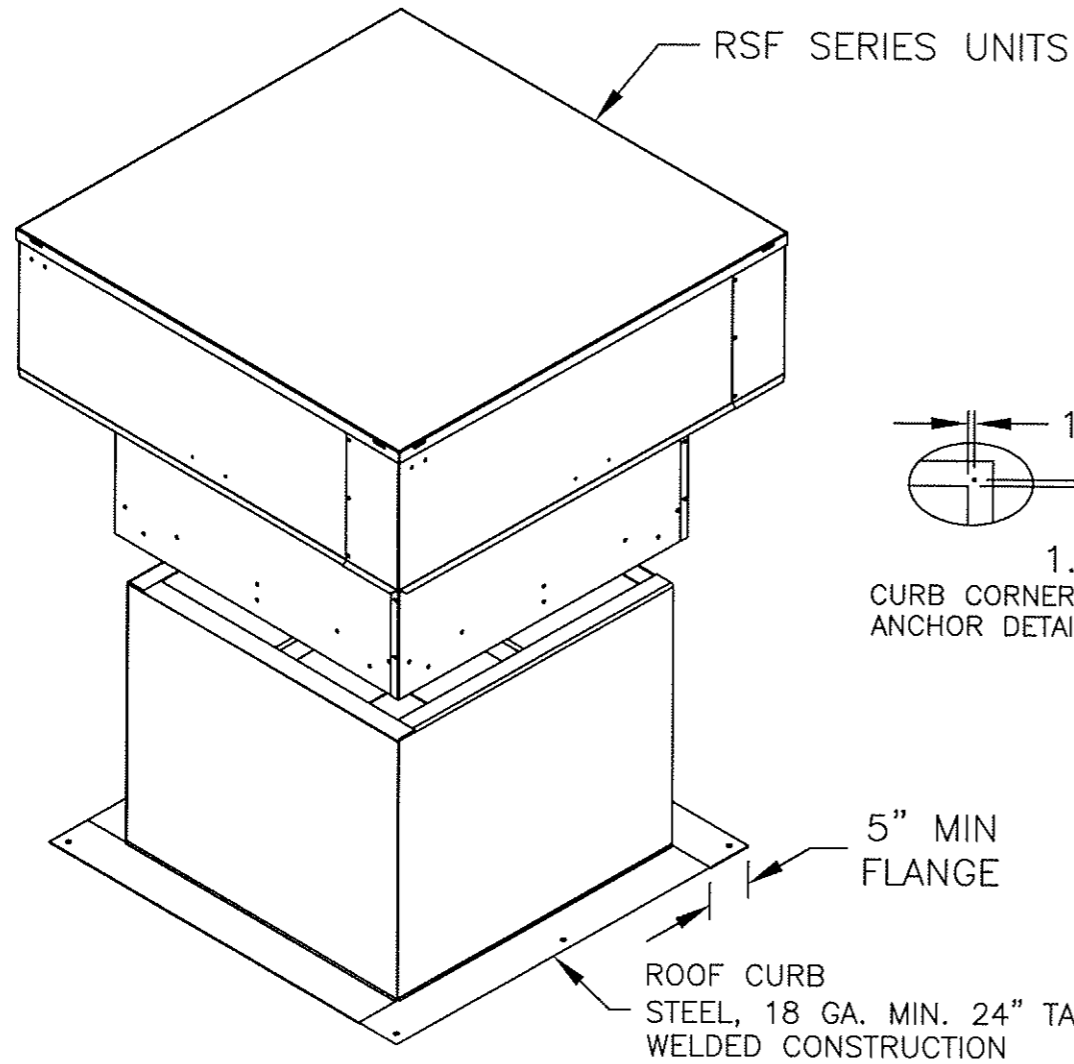
JUN 14 2012



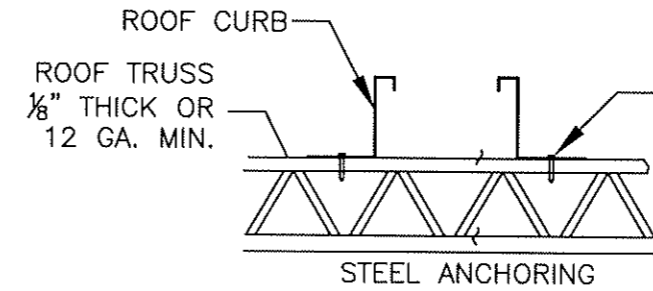
DRAWN BY PFEIFFER		ECCO
DATE 06/15/2009		ENG. REF.
SUPERSEDES		
SCALE	SHEET 1 OF 1	
CAD DRAWING NO. HCS1014		

RSF-200 SHEET 14 OF 15

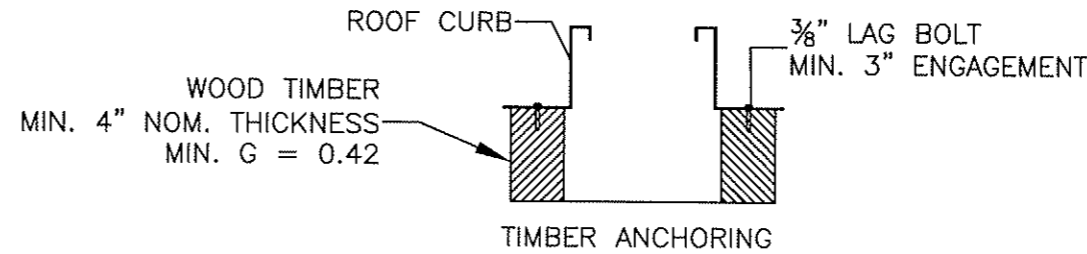
REVISION	DCR	BY	DATE	SYM
ADD FASTENER QUANTITIES		SP1	06/14 2012	1



3/8" S.S. HILTI KWIK BOLT 3
EXPANSION ANCHORS
MIN. 2.50" ENGAGEMENT
SEE TABLE FOR QTY.



1/4"-14 SELF-DRILLING SCREW
MIN. 1/2" OF THREADS THROUGH
SEE TABLE FOR QTY.



3/8" LAG BOLT
MIN. 3" ENGAGEMENT

RICE
ENGINEERING
105 School Creek Trail
Luxemburg, WI 54217
Phone: 920.845.1042
Fax: 920.845.1048
www.rice-inc.com

Texas Firm No: F-2183
L. David Rice
Registration No: 81248



AUG 15 2012

FAN TO CURB MOUNTING

CURB TO DECK MOUNTING

UNIT SIZE	FASTENERS PER SIDE
RSF-90, RSF-100	3
RSF-120, RSF-150	3
RSF-180, RSF-200	3 (MIN)

UNIT SIZE	CURB TO DECK MOUNTING		
	CONCRETE ANCHORING NO. OF FASTENERS PER SIDE	STEEL DECK ANCHORING NO. OF FASTENERS PER SIDE	TIMBER ANCHORING NO. OF FASTENERS PER SIDE
RSF-90, RSF-100	3	3	3
RSF-120, RSF-150	4	4	4
RSF-180, RSF-200	5	5	5

FASTENERS NEED TO BE LOCATED ON 2 OPPOSITE ENDS OF FAN CURB.

FASTENERS ON EACH SIDE OF THE FAN ARE TO BE INSTALLED WITH ONE FASTENER 4 INCHES FROM EACH EDGE AND ONE FASTENER CENTERED. THE REMAINING FASTENERS ARE TO BE EQUALLY SPACED. 1/4 INCH FASTENER MINIMUM 5/16 INCH RECOMMENDED.

 P.O. BOX 410 SCHOFIELD, WISCONSIN 54476-0410	DRAWN BY	ECD
	PFEIFFER	
TITLE	DATE	ENG. REF.
RSF-90 THROUGH 200 CURB MOUNTING SHEET 15 OF 15	09/15/2009	
	SUPERSEDES	
	SCALE	
	1/15	
	CAD DRAWING NO.	
	HCS1015	