

8100 SERIES ALUMINUM 135° CORNER SGD
EXTERIOR VIEW

NON-REINFORCED

DESIGN PRESSURE RATING	IMPACT RATING
±50PSF	NONE

REINFORCED

DESIGN PRESSURE RATING	IMPACT RATING
±70PSF	NONE

TABLE 1: PRODUCT CERTIFICATIONS

Nominal Panel Size		Design Pressure		Stile Type	Minimum Sill Riser Height	Certification Numbers
Width	Height	(+) psf	(-) psf			
60"	120"	50	50	Non-reinforced	2-1/4"	167-192
60"	120"	70	70	Reinforced	3"	167-193

1) THE PRODUCT SHOWN HEREIN IS DESIGNED AND MANUFACTURED TO COMPLY WITH THE REQUIREMENTS OF THE 2018 INTERNATIONAL BUILDING CODE AND THE 2018 INTERNATIONAL RESIDENTIAL CODE.

2) WOOD FRAMING, STEEL METAL FRAMING AND MASONRY OPENING TO BE DESIGNED AND ANCHORED TO PROPERLY TRANSFER ALL LOADS TO STRUCTURE. FRAMING AND MASONRY OPENING IS THE RESPONSIBILITY OF THE ARCHITECT OR ENGINEER OF RECORD.

3) ALLOWABLE STRESS INCREASE OF 1/3 WAS NOT USED IN THE DESIGN OF THE PRODUCT SHOWN HEREIN. WIND LOAD DURATION FACTOR Cd=1.6 WAS USED FOR WOOD ANCHOR CALCULATIONS.

4) FRAME MATERIAL: EXTRUDED ALUMINUM 6063-T6 .075" THICK.

5) PANEL MATERIAL: EXTRUDED ALUMINUM 6063-T6 .080" THICK.

6) UNITS MUST BE GLAZED PER ASTM E1300 WITH SINGLE GLAZED OR INSULATED GLASS.

7) APPROVED IMPACT PROTECTIVE SYSTEM IS REQUIRED FOR THIS PRODUCT IN WIND BORNE DEBRIS REGIONS.

8) MAXIMUM OVERALL PANEL SIZE: 64 7/16" x 118 5/16".

9) MAXIMUM D.L.O. SIZE: 56 5/8" x 112 5/16".

10) APPROVED FRAME CONDITIONS: 2-TRACK, 3-TRACK AND 4-TRACK.

11) POCKETS MAY BE INTERIOR OR EXTERIOR.

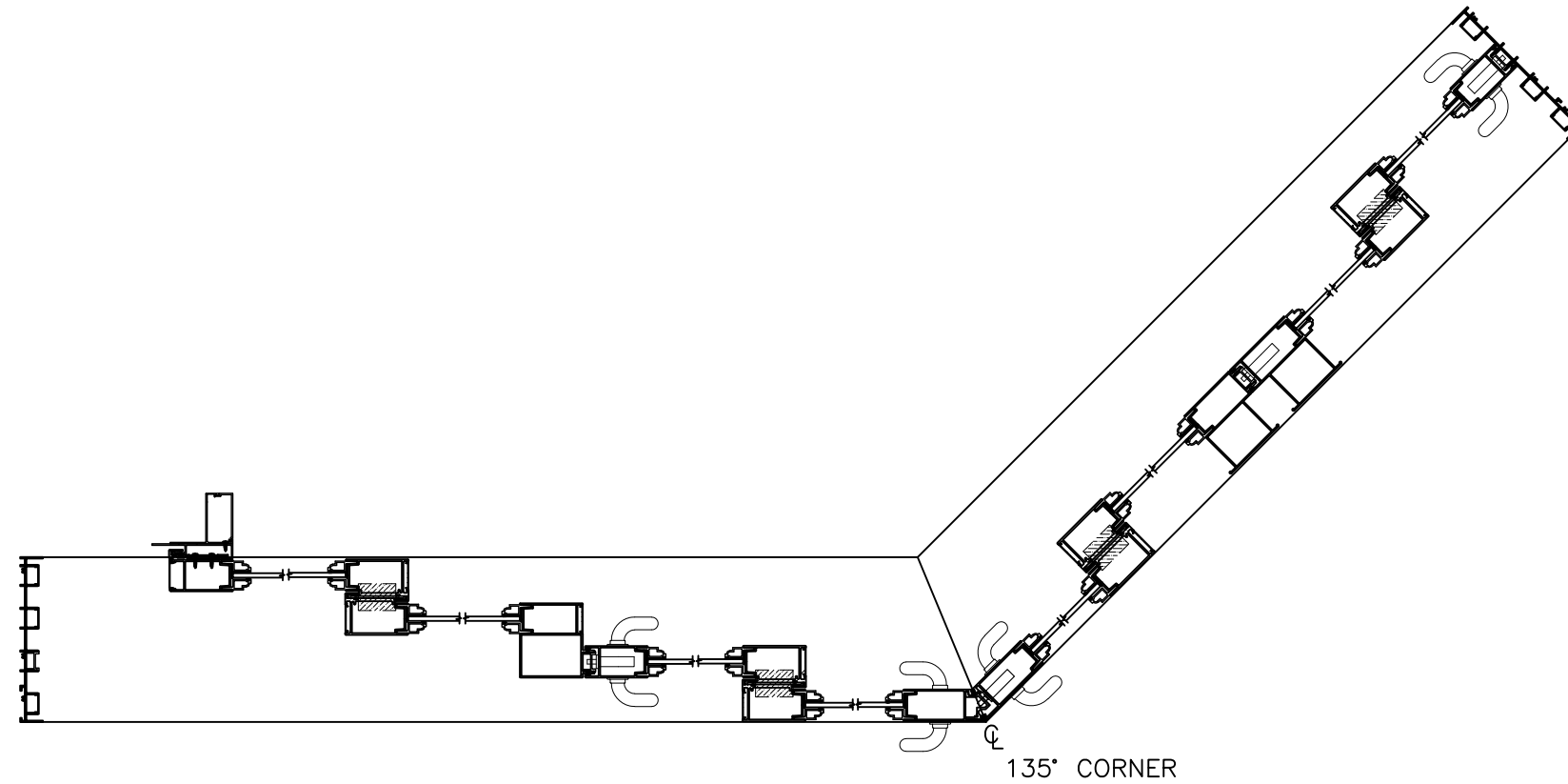
12) APPROVED CONFIGURATIONS: (8) PANELS SHOWN. UNLIMITED NUMBER OF PANELS IN UNLIMITED CONFIGURATIONS IS APPLICABLE AS LONG AS INDIVIDUAL PANEL SIZE DOES NOT EXCEED MAXIMUM PANEL SIZE AND USE VERTICAL CONDITIONS AS SHOWN.

13) NON-REINFORCED UNITS MUST USE A MINIMUM 2-1/4" SILL RISER. REINFORCED UNITS MUST USE A MINIMUM 3" SILL RISER.

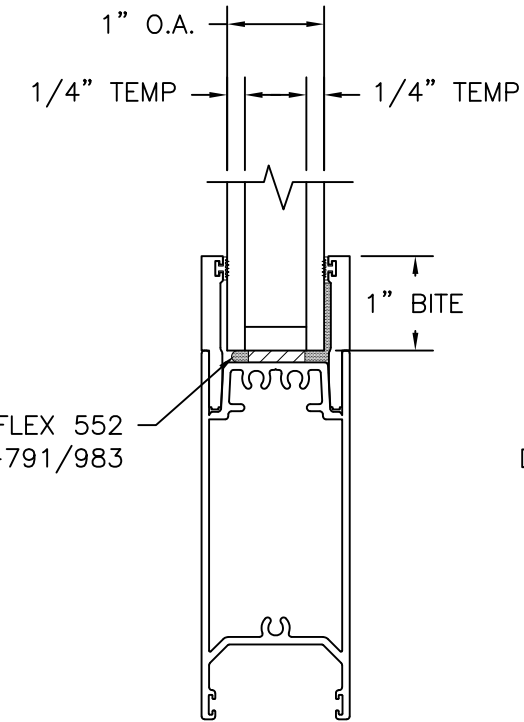
14) POCKET IS NOT PART OF THE DOOR DESIGN.

		PREPARED BY A. LYNN MILLER 1070 TECHNOLOGY DRIVE N. VENICE, FL 34275 (941) 480-1600		
WINDOOR INCORPORATED 104 TRIPLE DIAMOND BLVD. NORTH VENICE, FL 34275 (833) 554-5432		COPYRIGHT © 2021 WINDOOR INC. LIMITED LICENSE TO MAKE COPIES FOR PERMITTING.		
Series	Rev. Desc.	Title	Drawn By	Date
SGD8100 135		ALUM. SGD, 135°, 5X10, W/WO REINF, NI	JENS ROSOWSKI	10/20/21
Sheet	DWG No.	Rev. No.		
1 OF 7	8100-TDI-2			

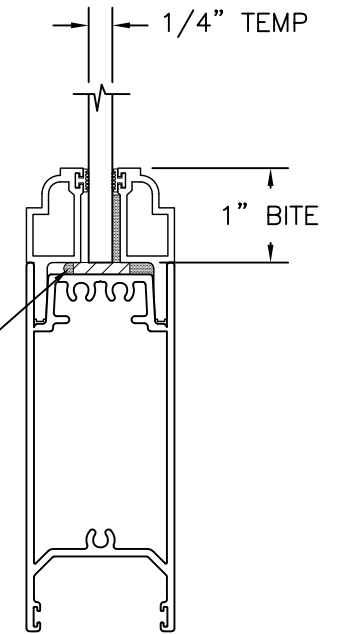
A. LYNN MILLER, P.E.
 P.E.# 106954



8100 SERIES ALUMINUM 135° CORNER SGD NON-REINFORCED
HORIZONTAL CROSS SECTION

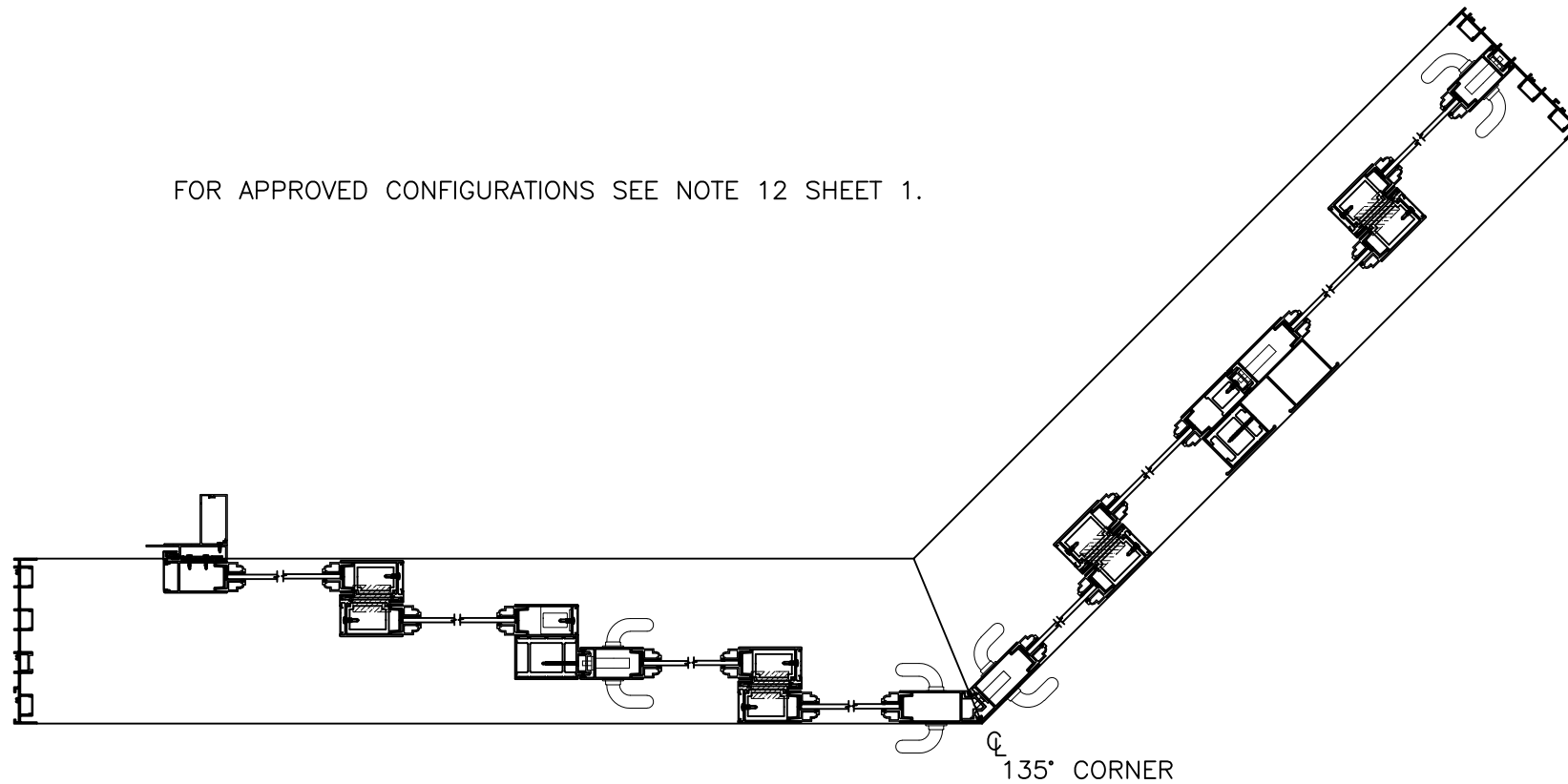


1" IGU TEMP
GLAZING DETAIL



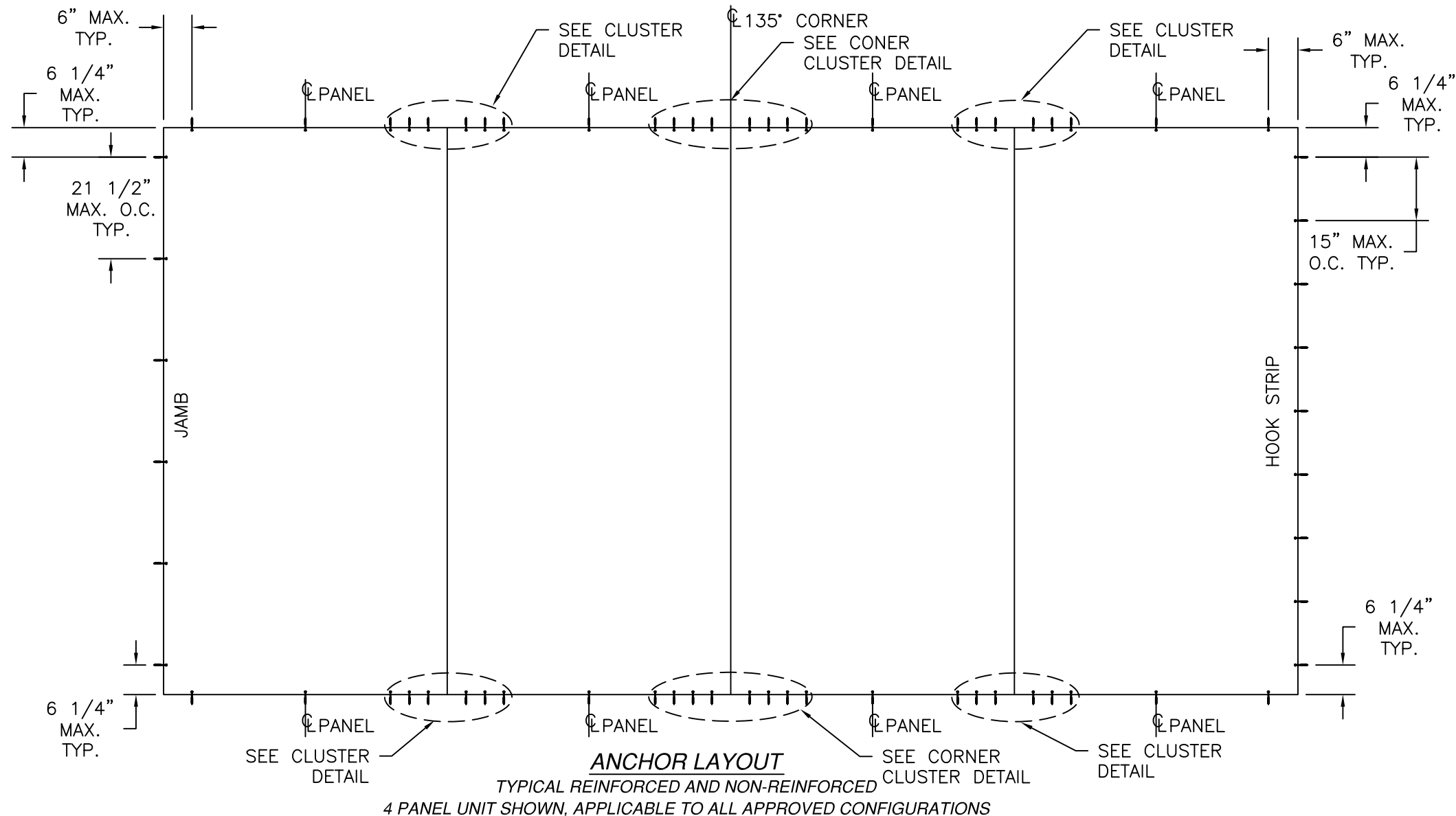
1/4" TEMP
GLAZING DETAIL

FOR APPROVED CONFIGURATIONS SEE NOTE 12 SHEET 1.



8100 SERIES ALUMINUM 135° CORNER SGD REINFORCED
HORIZONTAL CROSS SECTION

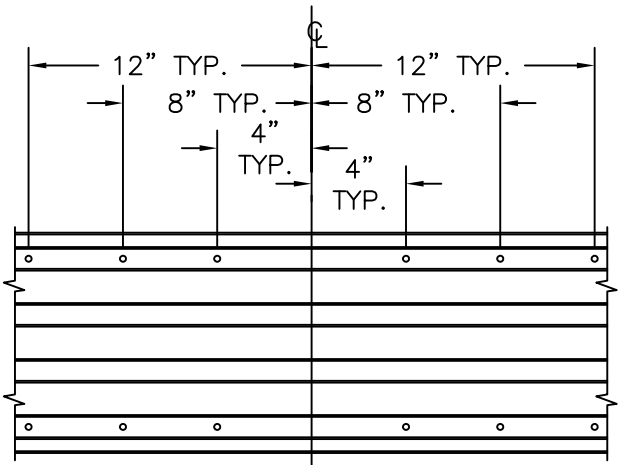
		PREPARED BY A. LYNN MILLER 1070 TECHNOLOGY DRIVE N. VENICE, FL 34275 (941) 480-1600		
WINDOOR INCORPORATED 104 TRIPLE DIAMOND BLVD. NORTH VENICE, FL 34275 (833) 554-5432		COPYRIGHT © 2021 WINDOOR INC. LIMITED LICENSE TO MAKE COPIES FOR PERMITTING.		
Series	ALUM. SGD, 135°, 5X10, W/WO REINF, NI	Date	10/20/21	A. Lynn Miller 10/22/21 A. LYNN MILLER, P.E. P.E.# 106954
Rev. Desc.	HORIZ. CROSS SECTIONS	Drawn By	JENS ROSOWSKI	
Sheet	2 OF 7	DWG No.	8100-TDI-2	



ANCHOR LAYOUT

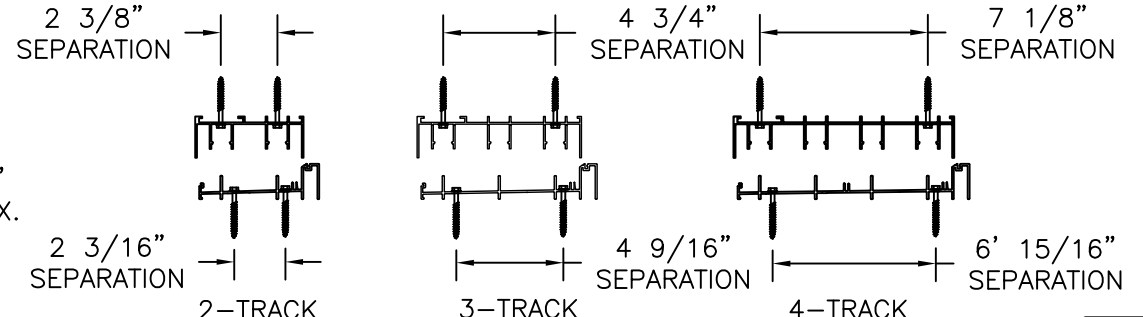
TYPICAL REINFORCED AND NON-REINFORCED
4 PANEL UNIT SHOWN, APPLICABLE TO ALL APPROVED CONFIGURATIONS

- 1) SHIM AS REQUIRED AT EACH INSTALLATION ANCHOR WITH LOAD BEARING SHIM. SHIM WHERE SPACE OF 1/16" OR GREATER OCCURS. MAXIMUM ALLOWABLE SHIM STACK TO BE 1/4".
- 2) FOR ANCHORING INTO MASONRY USE 1/4" ITW TAPCONS WITH SUFFICIENT LENGTH TO ACHIEVE A 1 1/4" MINIMUM EMBEDMENT INTO SUBSTRATE WITH 2 1/2" MINIMUM EDGE DISTANCE. LOCATE ANCHORS AS SHOWN IN ELEVATIONS AND INSTALLATION DETAILS.
- 3) FOR ANCHORING INTO WOOD FRAMING, 2X BUCK OR 2X BACKED 20GA STEEL STUD USE #14 WOOD SCREW WITH SUFFICIENT LENGTH TO ACHIEVE A 1 3/8" MINIMUM EMBEDMENT INTO SUBSTRATE. LOCATE ANCHORS AS SHOWN IN ELEVATIONS AND INSTALLATION DETAILS.
- 4) ALL FASTENERS TO BE CORROSION RESISTANT.
- 5) INSTALLATION ANCHORS SHALL BE INSTALLED IN ACCORDANCE WITH ANCHOR MANUFACTURER'S INSTALLATION INSTRUCTIONS, AND ANCHORS SHALL NOT BE USED IN SUBSTRATES WITH STRENGTHS LESS THAN THE MINIMUM STRENGTH SPECIFIED BELOW:
 - A. WOOD - MINIMUM SPECIFIC GRAVITY OF G=0.42
 - B. CONCRETE - MINIMUM COMPRESSIVE STRENGTH OF 3,200 PSI.
 - C. MASONRY - STRENGTH CONFORMANCE TO ASTM C-90, GRADE N, TYPE 1 (OR GREATER).
 - D. STEEL FRAMING - 20GA. STEEL STUD MINIMUM. THERE ARE (2) INSTALLATION ANCHORS AT EACH ANCHOR LOCATION IN HEAD, SILL AND JAMBS FOR 2-TRACK, 3-TRACK AND 4-TRACK FRAMES. THERE IS (1) INSTALLATION ANCHOR AT EACH ANCHOR LOCATION IN HOOK STRIP.
- 6) THERE ARE (2) INSTALLATION ANCHORS AT EACH ANCHOR LOCATION IN HEAD, SILL AND JAMBS FOR 2-TRACK, 3-TRACK AND 4-TRACK FRAMES.
- 7) THERE IS (1) INSTALLATION ANCHORS AT EACH ANCHOR LOCATION IN HOOK STRIP.

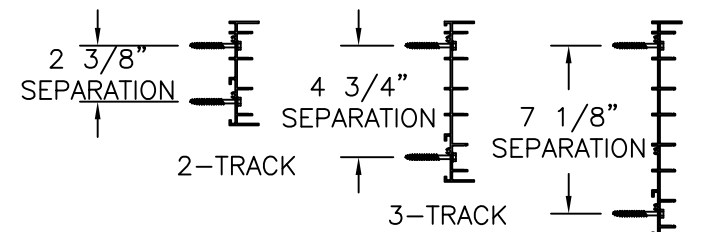


CLUSTER DETAIL

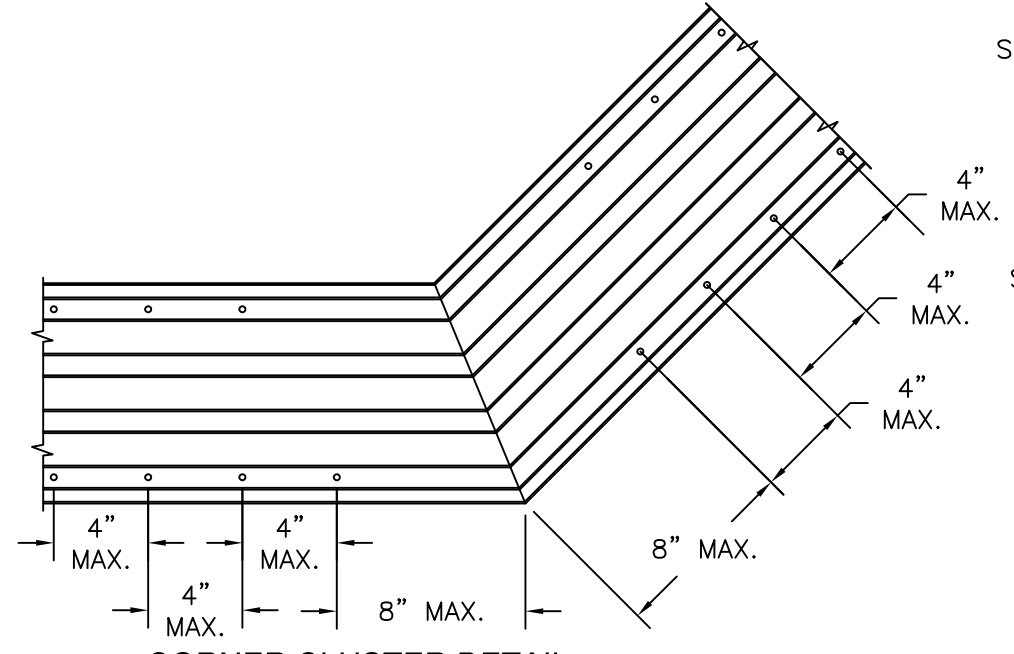
4-TRACK SHOWN, 2-TRACK AND 3-TRACK SIMILAR



HEAD AND SILL DETAILS



JAMB DETAILS



CORNER CLUSTER DETAIL

4-TRACK SHOWN, 2-TRACK AND 3-TRACK SIMILAR

<p>WinDoor[®] INCORPORATED</p> <p>WINDOOR INCORPORATED 104 TRIPLE DIAMOND BLVD. NORTH VENICE, FL 34275 (833) 554-5432</p>		<p>PREPARED BY A. LYNN MILLER 1070 TECHNOLOGY DRIVE N. VENICE, FL 34275 (941) 480-1600</p>		
		<p>COPYRIGHT © 2021 WINDOOR INC. LIMITED LICENSE TO MAKE COPIES FOR PERMITTING.</p>		
Series	Rev. / Desc. / Title	Date		
	ALUM. SGD, 135°, 5X10, W/WO REINF, NI	10/20/21		
Rev. / Desc.	ANCHOR LAYOUT AND NOTES	Drawn By	JENS ROSOWSKI	
Sheet	3 OF 7	DWG No.	8100-TDI-2	Rev. No.
		<p>A. Lynn Miller 10/22/21 A. LYNN MILLER, P.E. P.E.# 106954</p>		

2X BUCK/WOOD FRAMING BY OTHERS, 2X BUCK TO BE PROPERLY SECURED

#14 WOOD SCREW

BACKER ROD AND APPROVED SEALANT BY OTHERS

1 3/8" MIN. EMBEMENT

1/4" MAX. SHIM

EXTERIOR

INTERIOR

2 1/4" SILL RISER
SEE NOTE 13, SHEET 1

ANCHOR HEADS MUST BE COVERED WITH APPROVED SEALANT BY OTHERS

SILL MUST BE SET IN FULL BED OF APPROVED SEALANT OR NON-SHRINK GROUT BY OTHERS

2X BUCK/WOOD FRAMING BY OTHERS, 2X BUCK TO BE PROPERLY SECURED

1 3/8" MIN. EMBEMENT

#14 WOOD SCREW

VERTICAL CROSS SECTION

2X BUCK/WOOD FRAMING
4-TRACK SHOWN, 2-TRACK AND 3-TRACK SIMILAR
SINGLE GLAZED SHOWN, INSULATED GLASS SIMILAR

ANCHOR HEADS MUST BE COVERED WITH APPROVED SEALANT BY OTHERS

1/4" MAX. SHIM

1 3/8" MIN. EMBEMENT

#14 WOOD SCREW

INTERIOR


EXTERIOR

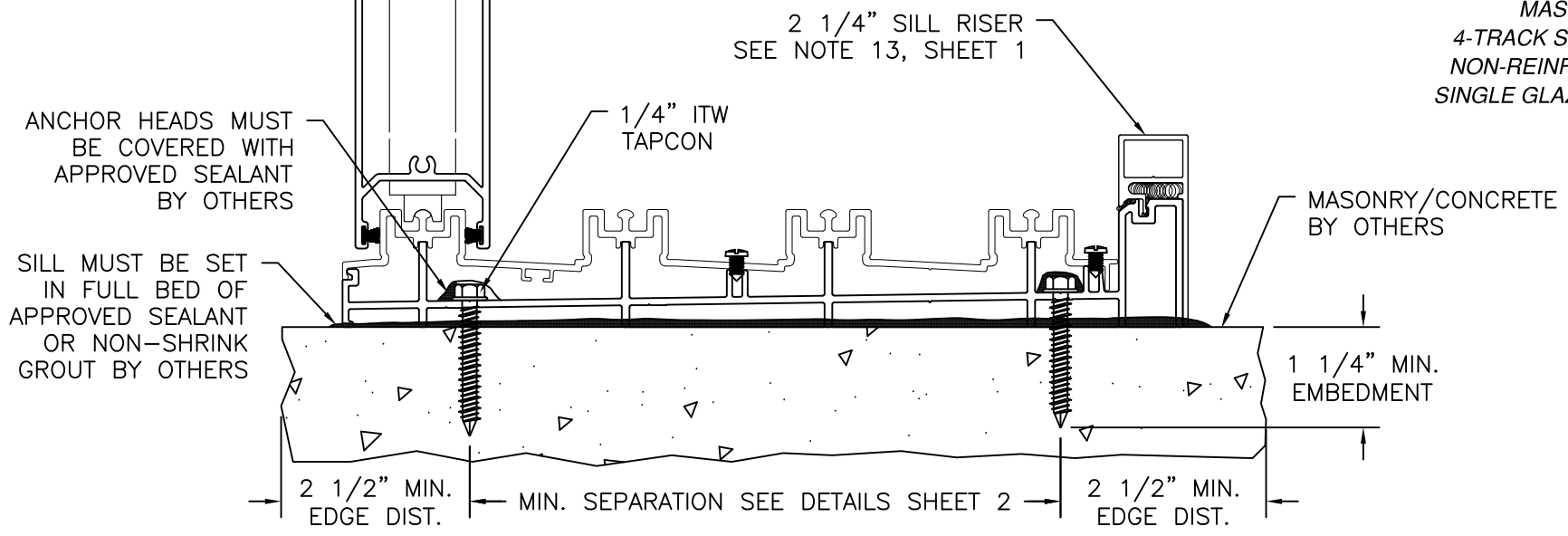
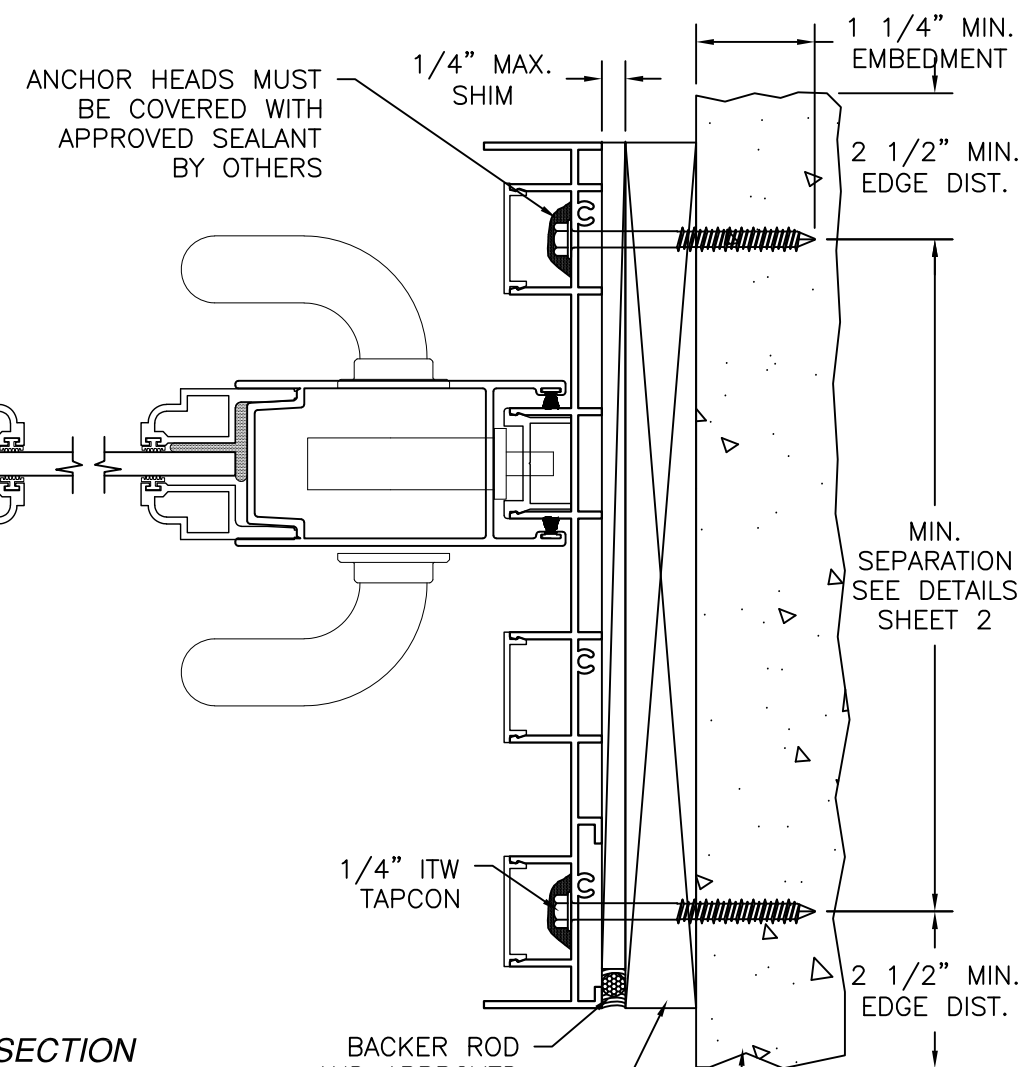
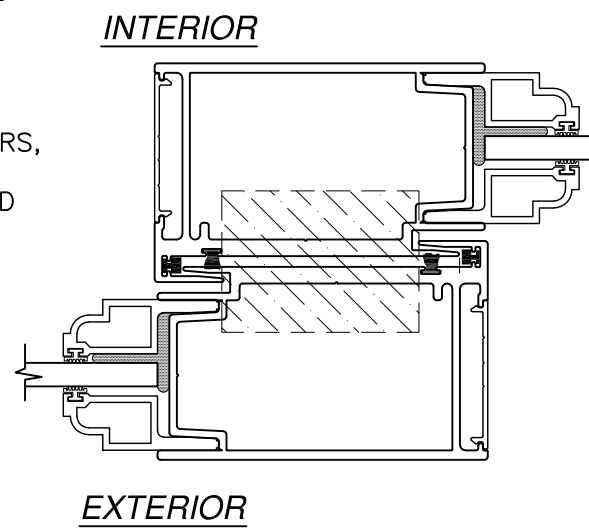
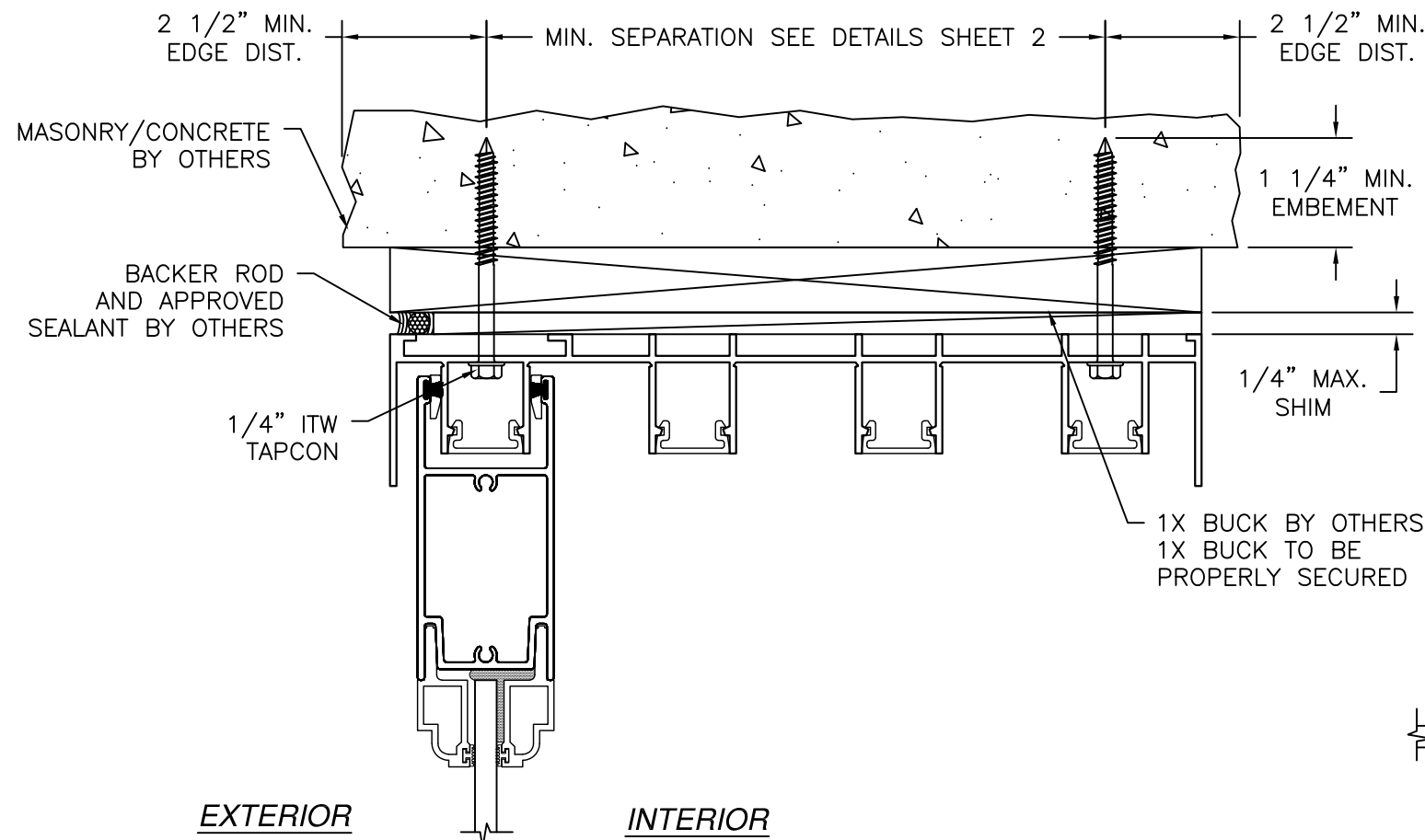
BACKER ROD AND APPROVED SEALANT BY OTHERS

2X BUCK/WOOD FRAMING BY OTHERS, 2X BUCK TO BE PROPERLY SECURED

HORIZONTAL CROSS SECTION

2X BUCK/WOOD FRAMING
4-TRACK SHOWN, 2-TRACK AND 3-TRACK SIMILAR
REINFORCED SHOWN, NON-REINFORCED SIMILAR
SINGLE GLAZED SHOWN, INSULATED GLASS SIMILAR

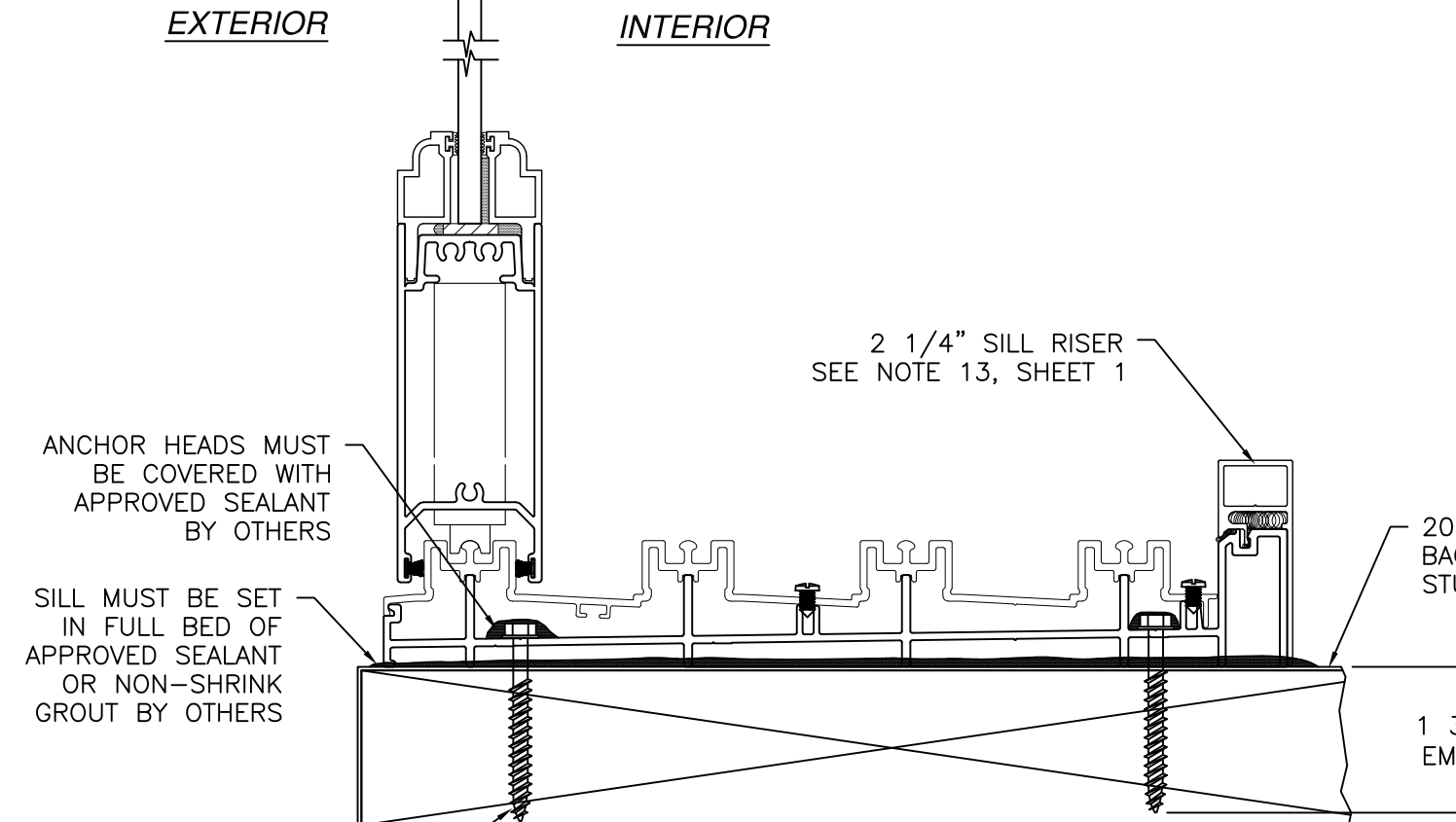
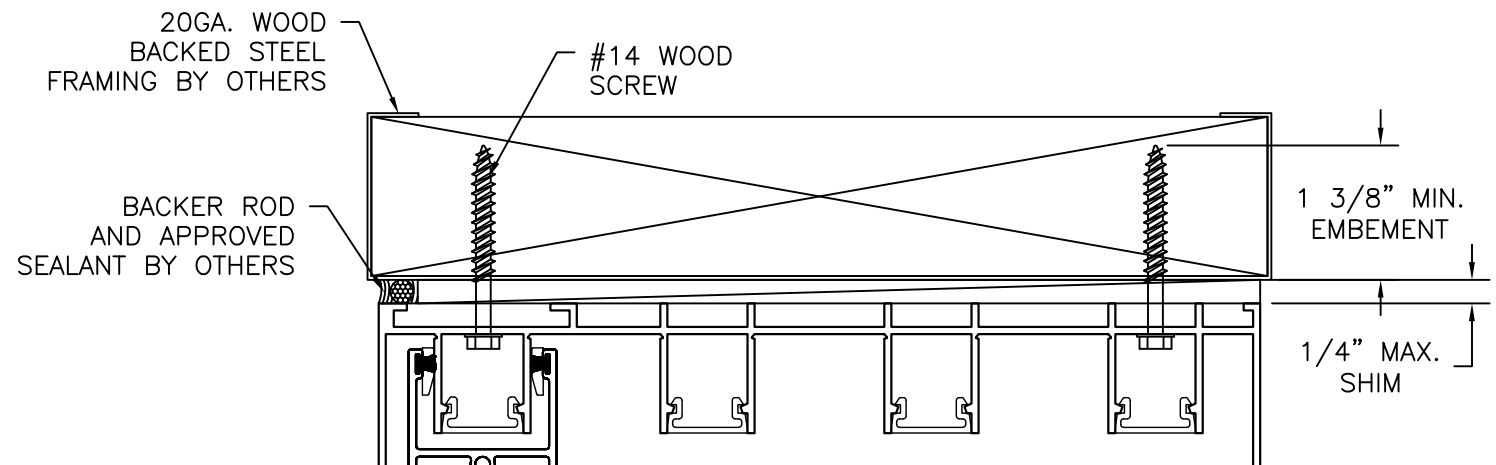
<p>WinDoor[®] INCORPORATED</p> <p>WINDOOR INCORPORATED 104 TRIPLE DIAMOND BLVD. NORTH VENICE, FL 34275 (833) 554-5432</p>		<p>PREPARED BY A. LYNN MILLER 1070 TECHNOLOGY DRIVE N. VENICE, FL 34275 (941) 480-1600</p> <p>COPYRIGHT © 2021 WINDOOR INC. LIMITED LICENSE TO MAKE COPIES FOR PERMITTING.</p>		
<p>ALUM. SGD, 135°, 5X10, W/WO REINF, NI</p>		<p>10/20/21</p>		
<p>WOOD INSTALLATION DETAILS</p>		<p>JENS ROSOWSKI</p>		<p>A. Lynn Miller 10/22/21 A. LYNN MILLER, P.E. P.E.# 106954</p>
<p>SGD8100 135</p>		<p>4 OF 7</p>		
<p>8100-TDI-2</p>		<p>Rev. No.</p>		



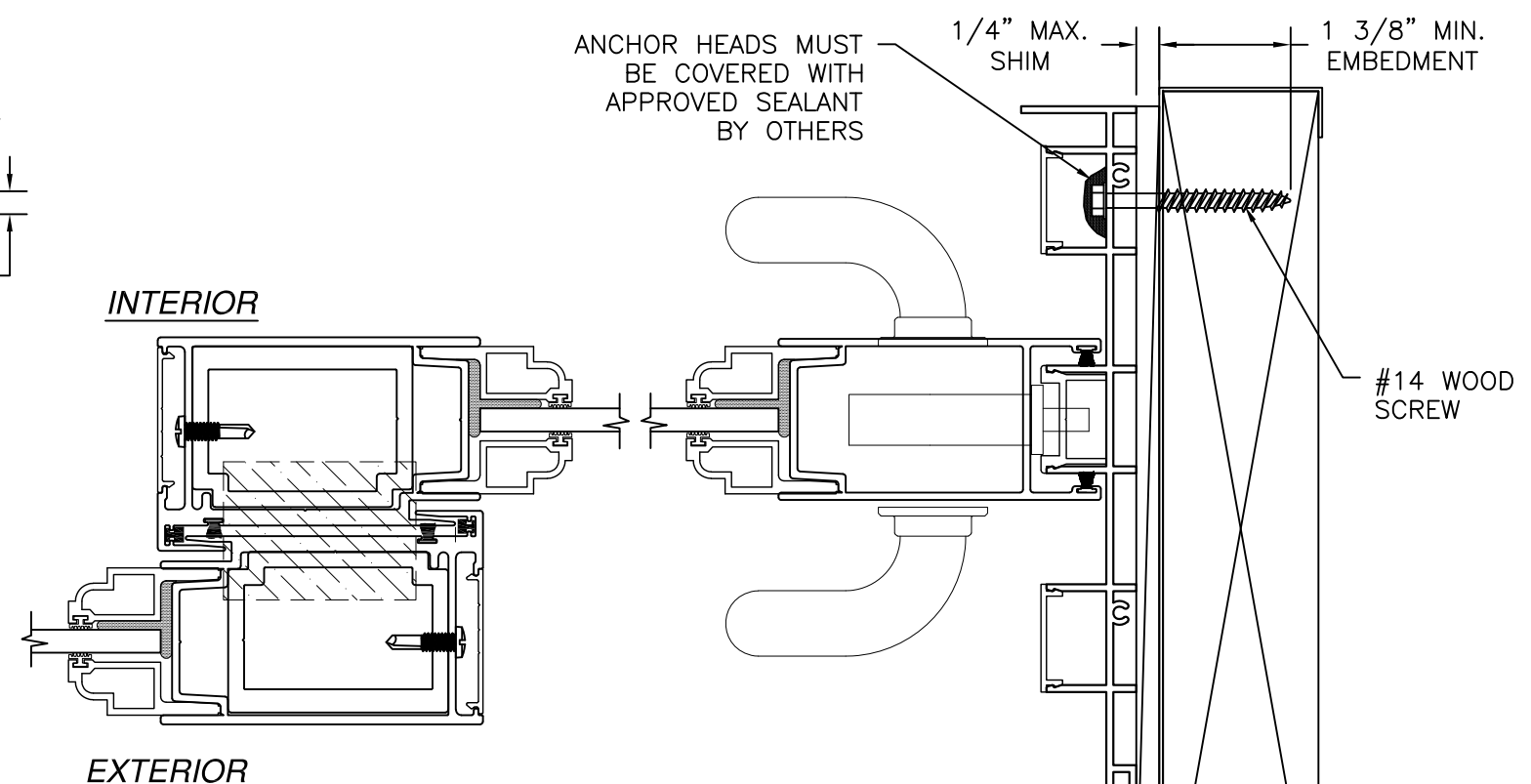
HORIZONTAL CROSS SECTION
 MASONRY/CONCRETE INSTALLATION
 4-TRACK SHOWN, 2-TRACK AND 3-TRACK SIMILAR
 NON-REINFORCED SHOWN, REINFORCED SIMILAR
 SINGLE GLAZED SHOWN, INSULATED GLASS SIMILAR

VERTICAL CROSS SECTION
 MASONRY/CONCRETE INSTALLATION
 4-TRACK SHOWN, 2-TRACK AND 3-TRACK SIMILAR
 SINGLE GLAZED SHOWN, INSULATED GLASS SIMILAR

		PREPARED BY A. LYNN MILLER 1070 TECHNOLOGY DRIVE N. VENICE, FL 34275 (941) 480-1600		
WINDOOR INCORPORATED 104 TRIPLE DIAMOND BLVD. NORTH VENICE, FL 34275 (833) 554-5432		COPYRIGHT © 2021 WINDOOR INC. LIMITED LICENSE TO MAKE COPIES FOR PERMITTING.		
Series	Rev.	Desc.	Title	Date
SGD8100		135	ALUM. SGD, 135°, 5X10, W/WO REINF, NI	10/20/21
			MASONRY INSTAL. DETAILS	
			Drawn By	JENS ROSOWSKI
Sheet	5 OF 7	DWG No.	8100-TDI-2	Rev. No.
				A. Lynn Miller 10/22/21 A. LYNN MILLER, P.E. P.E.# 106954



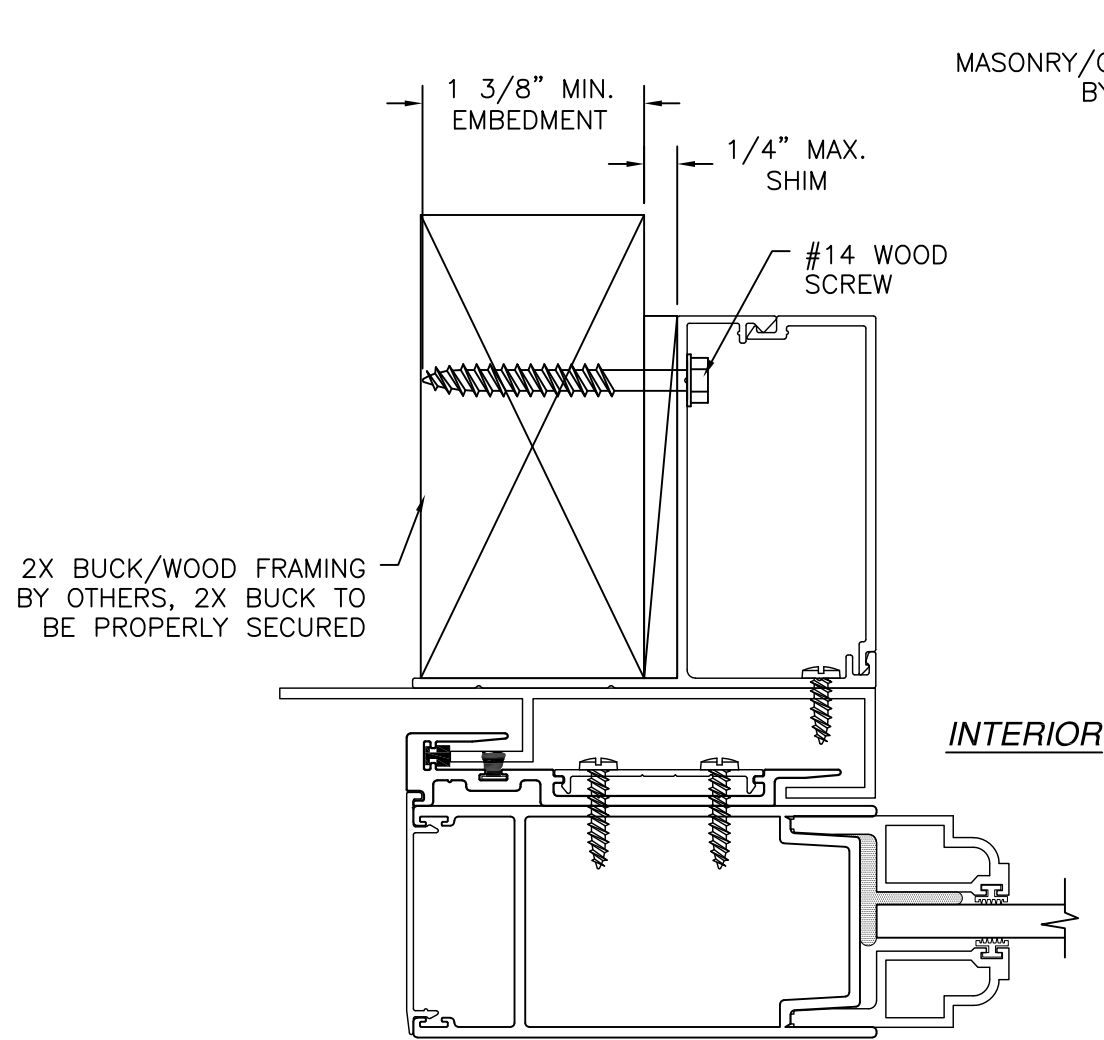
VERTICAL CROSS SECTION
 20GA. WOOD BACKED STEEL FRAMING
 4-TRACK SHOWN, 2-TRACK AND 3-TRACK SIMILAR
 SINGLE GLAZED SHOWN, INSULATED GLASS SIMILAR



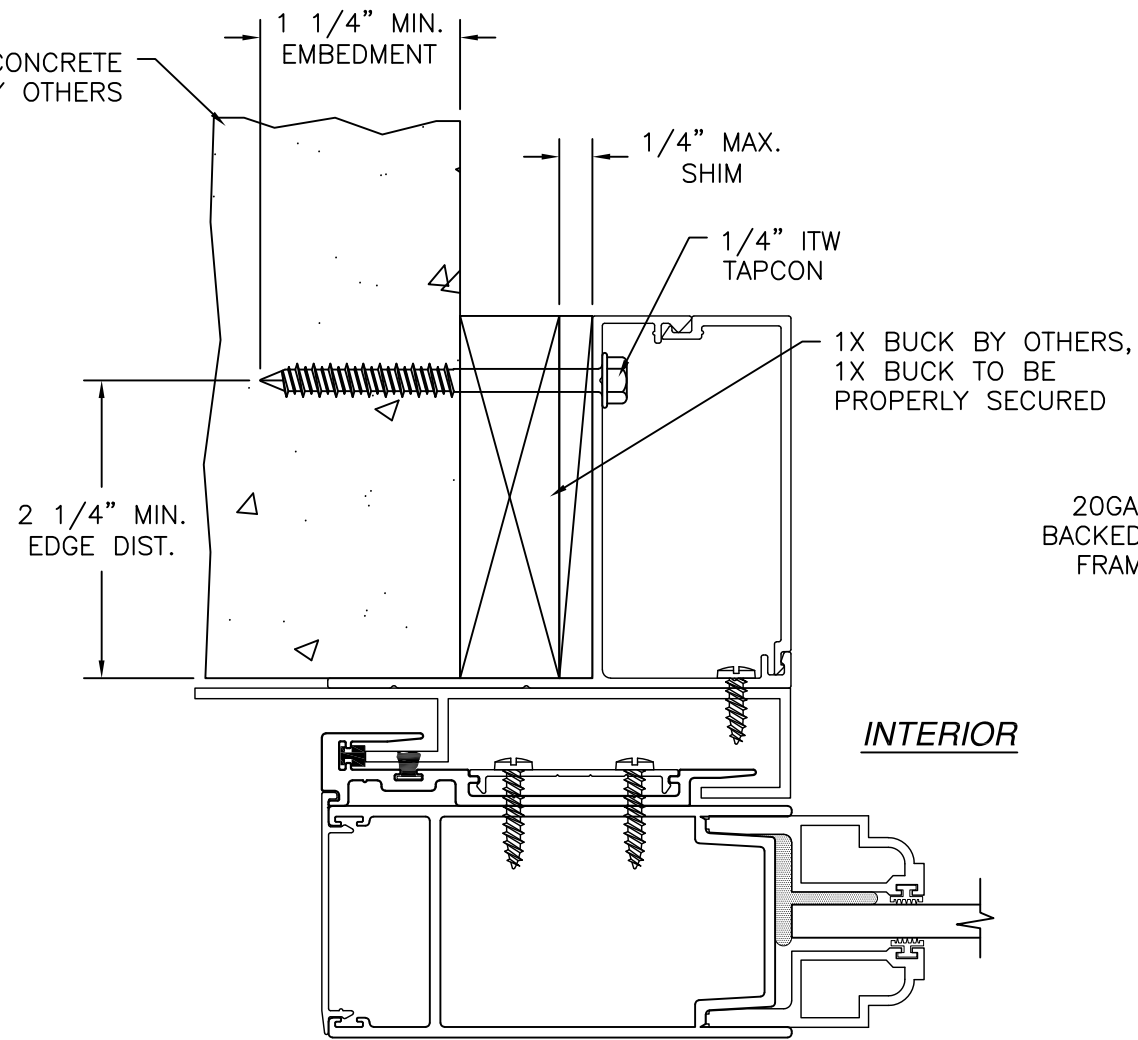
HORIZONTAL CROSS SECTION
 20GA. WOOD BACKED STEEL FRAMING
 4-TRACK SHOWN, 2-TRACK AND 3-TRACK SIMILAR
 REINFORCED SHOWN, NON-REINFORCED SIMILAR
 SINGLE GLAZED SHOWN, INSULATED GLASS SIMILAR

		PREPARED BY A. LYNN MILLER 1070 TECHNOLOGY DRIVE N. VENICE, FL 34275 (941) 480-1600		
WINDOOR INCORPORATED 104 TRIPLE DIAMOND BLVD. NORTH VENICE, FL 34275 (833) 554-5432		COPYRIGHT © 2021 WINDOOR INC. LIMITED LICENSE TO MAKE COPIES FOR PERMITTING.		
Series	Rev.	Title	Date	
SGD8100	135	ALUM. SGD, 135°, 5X10, W/WO REINF, NI	10/20/21	
Sheet	6 OF 7	METAL INSTALLATION DETAILS	Drawn By	JENS ROSOWSKI
DWG No.	8100-TDI-2			
Rev. No.				

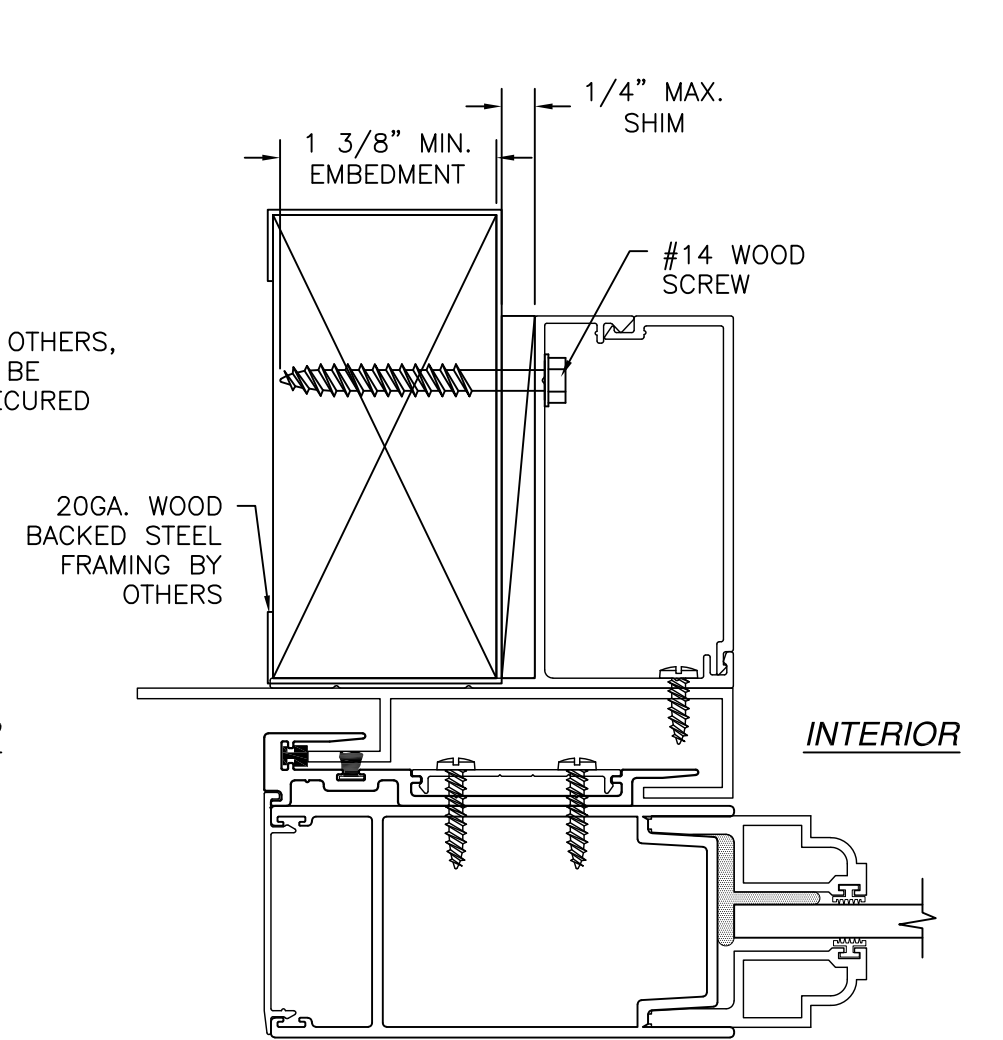
A. LYNN MILLER, P.E.
 P.E.# 106954



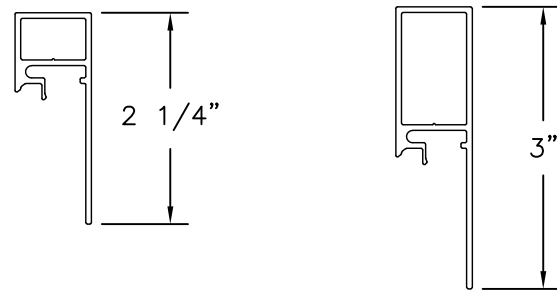
HORIZONTAL CROSS SECTION
 HOOK STRIP INSTALLATION
 2X BUCK/WOOD FRAMING
 EXTERIOR POCKET SHOWN, INTERIOR POCKET SIMILAR



HORIZONTAL CROSS SECTION
 HOOK STRIP INSTALLATION
 MASONRY/CONCRETE INSTALLATION
 EXTERIOR POCKET SHOWN, INTERIOR POCKET SIMILAR



HORIZONTAL CROSS SECTION
 HOOK STRIP INSTALLATION
 20GA. WOOD BACKED STEEL FRAMING
 EXTERIOR POCKET SHOWN, INTERIOR POCKET SIMILAR



OPTIONAL SILL RISERS
 SEE NOTE 13 ON SHEET 1.

		PREPARED BY A. LYNN MILLER 1070 TECHNOLOGY DRIVE N. VENICE, FL 34275 (941) 480-1600		
WINDOOR INCORPORATED 104 TRIPLE DIAMOND BLVD. NORTH VENICE, FL 34275 (833) 554-5432		COPYRIGHT © 2021 WINDOOR INC. LIMITED LICENSE TO MAKE COPIES FOR PERMITTING.		
Series	Rev.	Desc.	Title	Date
			ALUM. SGD, 135°, 5X10, W/WO REINF, NI	10/20/21
			HOOK STRIP INSTAL. DETAILS	Drawn By: JENS ROSOWSKI
SGD8100 135	7 OF 7	DWG No.	8100-TDI-2	Rev. No.

A. LYNN MILLER, P.E.
 P.E.# 106954